

*Third Edition*

# FUNDAMENTALS OF DIGITAL LOGIC

*with Verilog Design*

*Stephen Brown*

*Zvonko Vranesic*

# FUNDAMENTALS OF DIGITAL LOGIC WITH VERILOG DESIGN

---

**THIRD EDITION**

**Stephen Brown and Zvonko Vranesic**  
*Department of Electrical and Computer Engineering*  
*University of Toronto*





FUNDAMENTALS OF DIGITAL LOGIC WITH VERILOG DESIGN, THIRD EDITION

Published by McGraw-Hill, a business unit of The McGraw-Hill Companies, Inc., 1221 Avenue of the Americas, New York, NY 10020. Copyright © 2014 by The McGraw-Hill Companies, Inc. All rights reserved. No part of this publication may be reproduced or distributed in any form or by any means, or stored in a database or retrieval system, without the prior written consent of The McGraw-Hill Companies, Inc., including, but not limited to, in any network or other electronic storage or transmission, or broadcast for distance learning.

Some ancillaries, including electronic and print components, may not be available to customers outside the United States.

This book is printed on acid-free paper.

1 2 3 4 5 6 7 8 9 0 DOC/DOC 1 0 9 8 7 6 5 4 3

ISBN 978-0-07-338054-4

MHID 0-07-338054-7

Managing Director: *Thomas Timp*

Director: *Michael Lange*

Global Publisher: *Raghothaman Srinivasan*

Developmental Editor: *Vincent Bradshaw*

Marketing Manager: *Curt Reynolds*

Director, Content Production: *Terri Schiesl*

Senior Project Manager: *Melissa M. Leick*

Buyer: *Susan K. Culbertson*

Media Project Manager: *Prashanthi Nadipalli*

Cover Design: *Studio Montage, St. Louis, Missouri*

(USE) Cover Image: *Steven Brown and Zvonko Vranesic*

Compositor: *Techsetters, Inc.*

Typeface: *10/12 Times Roman*

Printer: *R. R. Donnelley, Crawfordsville, IN*

**Library of Congress Cataloging-in-Publication Data**

Brown, Stephen.

Fundamentals of digital logic with Verilog design / Stephen Brown and Zvonko Vranesic. — Third edition.  
pages cm

ISBN 978-0-07-338054-4 (alk. paper)

1. Logic circuits—Design and construction—Data processing. 2. Verilog (Computer hardware description language). 3. Computer-aided design. I. Vranesic, Zvonko G. II. Title.

TK7868.L6B76 2014

621.39'2-dc23

2012042163

*To Susan and Anne*

*This page intentionally left blank*

# ABOUT THE AUTHORS

**Stephen Brown** received his B.A.Sc. degree in Electrical Engineering from the University of New Brunswick, Canada, and the M.A.Sc. and Ph.D. degrees in Electrical Engineering from the University of Toronto. He joined the University of Toronto faculty in 1992, where he is now a Professor in the Department of Electrical & Computer Engineering. He is also the Director of the worldwide University Program at Altera Corporation.

His research interests include field-programmable VLSI technology and computer architecture. He won the Canadian Natural Sciences and Engineering Research Council's 1992 Doctoral Prize for the best Ph.D. thesis in Canada and has published more than 100 scientific research papers.

He has won five awards for excellence in teaching electrical engineering, computer engineering, and computer science courses. He is a coauthor of two other books: *Fundamentals of Digital Logic with VHDL Design*, 3rd ed. and *Field-Programmable Gate Arrays*.

**Zvonko Vranesic** received his B.A.Sc., M.A.Sc., and Ph.D. degrees, all in Electrical Engineering, from the University of Toronto. From 1963–1965 he worked as a design engineer with the Northern Electric Co. Ltd. in Bramalea, Ontario. In 1968 he joined the University of Toronto, where he is now a Professor Emeritus in the Departments of Electrical & Computer Engineering and Computer Science. During the 1978–1979 academic year, he was a Senior Visitor at the University of Cambridge, England, and during 1984–1985 he was at the University of Paris, 6. From 1995 to 2000 he served as Chair of the Division of Engineering Science at the University of Toronto. He is also involved in research and development at the Altera Toronto Technology Center.

His current research interests include computer architecture and field-programmable VLSI technology.

He is a coauthor of four other books: *Computer Organization and Embedded Systems*, 6th ed.; *Fundamentals of Digital Logic with VHDL Design*, 3rd ed.; *Microcomputer Structures*; and *Field-Programmable Gate Arrays*. In 1990, he received the Wighton Fellowship for “innovative and distinctive contributions to undergraduate laboratory instruction.” In 2004, he received the Faculty Teaching Award from the Faculty of Applied Science and Engineering at the University of Toronto.

He has represented Canada in numerous chess competitions. He holds the title of International Master.

# PREFACE

This book is intended for an introductory course in digital logic design, which is a basic course in most electrical and computer engineering programs. A successful designer of digital logic circuits needs a good understanding of basic concepts and a firm grasp of the modern design approach that relies on computer-aided design (CAD) tools.

The main goals of the book are (1) to teach students the fundamental concepts in classical manual digital design and (2) illustrate clearly the way in which digital circuits are designed today, using CAD tools. Even though modern designers no longer use manual techniques, except in rare circumstances, our motivation for teaching such techniques is to give students an intuitive feeling for how digital circuits operate. Also, the manual techniques provide an illustration of the types of manipulations performed by CAD tools, giving students an appreciation of the benefits provided by design automation. Throughout the book, basic concepts are introduced by way of examples that involve simple circuit designs, which we perform using both manual techniques and modern CAD-tool-based methods. Having established the basic concepts, more complex examples are then provided, using the CAD tools. Thus our emphasis is on modern design methodology to illustrate how digital design is carried out in practice today.

## TECHNOLOGY

The book discusses modern digital circuit implementation technologies. The emphasis is on programmable logic devices (PLDs), which is the most appropriate technology for use in a textbook for two reasons. First, PLDs are widely used in practice and are suitable for almost all types of digital circuit designs. In fact, students are more likely to be involved in PLD-based designs at some point in their careers than in any other technology. Second, circuits are implemented in PLDs by end-user programming. Therefore, students can be provided with an opportunity, in a laboratory setting, to implement the book's design examples in actual chips. Students can also simulate the behavior of their designed circuits on their own computers. We use the two most popular types of PLDs for targeting of designs: complex programmable logic devices (CPLDs) and field-programmable gate arrays (FPGAs).

We emphasize the use of a hardware description language in specifying the logic circuits, because the HDL-based approach is the most efficient design method to use in practice. We describe in detail the IEEE Standard Verilog HDL language and use it extensively in examples.

## SCOPE OF THE BOOK

This edition of the book has been extensively restructured. All of the material that should be covered in a one-semester course is now included in Chapters 1 to 6. More advanced material is presented in Chapters 7 to 11.

Chapter 1 provides a general introduction to the process of designing digital systems. It discusses the key steps in the design process and explains how CAD tools can be used to automate many of the required tasks. It also introduces the representation of digital information.

Chapter 2 introduces the logic circuits. It shows how Boolean algebra is used to represent such circuits. It introduces the concepts of logic circuit synthesis and optimization, and shows how logic gates are used to implement simple circuits. It also gives the reader a first glimpse at Verilog, as an example of a hardware description language that may be used to specify the logic circuits.

Chapter 3 concentrates on circuits that perform arithmetic operations. It discusses numbers and shows how they can be manipulated using logic circuits. This chapter illustrates how Verilog can be used to specify the desired functionality and how CAD tools provide a mechanism for developing the required circuits.

Chapter 4 presents combinational circuits that are used as building blocks. It includes the encoder, decoder, and multiplexer circuits. These circuits are very convenient for illustrating the application of many Verilog constructs, giving the reader an opportunity to discover more advanced features of Verilog.

Storage elements are introduced in Chapter 5. The use of flip-flops to realize regular structures, such as shift registers and counters, is discussed. Verilog-specified designs of these structures are included.

Chapter 6 gives a detailed presentation of synchronous sequential circuits (finite state machines). It explains the behavior of these circuits and develops practical design techniques for both manual and automated design.

Chapter 7 is a discussion of a number of practical issues that arise in the design of real systems. It highlights problems often encountered in practice and indicates how they can be overcome. Examples of larger circuits illustrate a hierarchical approach in designing digital systems. Complete Verilog code for these circuits is presented.

Chapter 8 deals with more advanced techniques for optimized implementation of logic functions. It presents algorithmic techniques for optimization. It also explains how logic functions can be specified using a cubical representation as well as using binary decision diagrams.

Asynchronous sequential circuits are discussed in Chapter 9. While this treatment is not exhaustive, it provides a good indication of the main characteristics of such circuits. Even though the asynchronous circuits are not used extensively in practice, they provide an excellent vehicle for gaining a deeper understanding of the operation of digital circuits in general. They illustrate the consequences of propagation delays and race conditions that may be inherent in the structure of a circuit.

Chapter 10 presents a complete CAD flow that the designer experiences when designing, implementing, and testing a digital circuit.



Chapter 11 introduces the topic of testing. A designer of logic circuits has to be aware of the need to test circuits and should be conversant with at least the most basic aspects of testing.

Appendix A provides a complete summary of Verilog features. Although use of Verilog is integrated throughout the book, this appendix provides a convenient reference that the reader can consult from time to time when writing Verilog code.

The electronic aspects of digital circuits are presented in Appendix B. This appendix shows how the basic gates are built using transistors and presents various factors that affect circuit performance. The emphasis is on the latest technologies, with particular focus on CMOS technology and programmable logic devices.

## WHAT CAN BE COVERED IN A COURSE

Much of the material in the book can be covered in 2 one-quarter courses. A good coverage of the most important material can be achieved in a single one-semester, or even a one-quarter course. This is possible only if the instructor does not spend too much time teaching the intricacies of Verilog and CAD tools. To make this approach possible, we organized the Verilog material in a modular style that is conducive to self-study. Our experience in teaching different classes of students at the University of Toronto shows that the instructor may spend only three to four lecture hours on Verilog, describing how the code should be structured, including the use of design hierarchy, using scalar and vector variables, and on the style of code needed to specify sequential circuits. The Verilog examples given in the book are largely self-explanatory, and students can understand them easily.

The book is also suitable for a course in logic design that does not include exposure to Verilog. However, some knowledge of Verilog, even at a rudimentary level, is beneficial to the students, and it is a great preparation for a job as a design engineer.

### One-Semester Course

The following material should be covered in lectures:

- Chapter 1—all sections.
- Chapter 2—all sections.
- Chapter 3—Sections 3.1 to 3.5.
- Chapter 4—all sections.
- Chapter 5—all sections.
- Chapter 6—all sections.

### One-Quarter Course

In a one-quarter course the following material can be covered:

- Chapter 1—all sections.
- Chapter 2—all sections.

- Chapter 3—Sections 3.1 to 3.3 and Section 3.5.
- Chapter 4—all sections.
- Chapter 5—all sections.
- Chapter 6—Sections 6.1 to 6.4.

## VERILOG

Verilog is a complex language, which some instructors feel is too hard for beginning students to grasp. We fully appreciate this issue and have attempted to solve it. It is not necessary to introduce the entire Verilog language. In the book we present the important Verilog constructs that are useful for the design and synthesis of logic circuits. Many other language constructs, such as those that have meaning only when using the language for simulation purposes, are omitted. The Verilog material is introduced gradually, with more advanced features being presented only at points where their use can be demonstrated in the design of relevant circuits.

The book includes more than 120 examples of Verilog code. These examples illustrate how Verilog is used to describe a wide range of logic circuits, from those that contain only a few gates to those that represent digital systems such as a simple processor.

All of the examples of Verilog code presented in the book are provided on the Authors' website at

[www.eecg.toronto.edu/~brown/Verilog\\_3e](http://www.eecg.toronto.edu/~brown/Verilog_3e)

## SOLVED PROBLEMS

The chapters include examples of solved problems. They show how typical homework problems may be solved.

## HOMEWORK PROBLEMS

More than 400 homework problems are provided in the book. Answers to selected problems are given at the back of the book. Solutions to all problems are available to instructors in the *Solutions Manual* that accompanies the book.

## POWERPOINT SLIDES AND SOLUTIONS MANUAL

PowerPoint slides that contain all of the figures in the book are available on the Authors' website. Instructors can request access to these slides, as well as access to the Solutions Manual for the book, at:

[www.mhhe.com/brownvrnesic](http://www.mhhe.com/brownvrnesic)

## CAD TOOLS

Modern digital systems are quite large. They contain complex logic circuits that would be difficult to design without using good CAD tools. Our treatment of Verilog should enable the reader to develop Verilog code that specifies logic circuits of varying degrees of complexity. To gain proper appreciation of the design process, it is highly beneficial to implement the designs using commercially-available CAD tools. Some excellent CAD tools are available free of charge. For example, the Altera Corporation has its Quartus II CAD software, which is widely used for implementing designs in programmable logic devices such as FPGAs. The Web Edition of the Quartus II software can be downloaded from Altera's website and used free of charge, without the need to obtain a license. In previous editions of this book a set of tutorials for using the Quartus II software was provided in the appendices. Those tutorials can now be found on the Authors' website. Another set of useful tutorials about Quartus II can be found on Altera's University Program website, which is located at [www.altera.com/education/univ](http://www.altera.com/education/univ).

## ACKNOWLEDGMENTS

We wish to express our thanks to the people who have helped during the preparation of the book. Dan Vranesic produced a substantial amount of artwork. He and Deshanand Singh also helped with the preparation of the solutions manual. Tom Czajkowski helped in checking the answers to some problems. The reviewers, William Barnes, New Jersey Institute of Technology; Thomas Bradicich, North Carolina State University; James Clark, McGill University; Stephen DeWeerth, Georgia Institute of Technology; Sander Eller, Cal Poly Pomona; Clay Gloster, Jr., North Carolina State University (Raleigh); Carl Hamacher, Queen's University; Vincent Heuring, University of Colorado; Yu Hen Hu, University of Wisconsin; Wei-Ming Lin, University of Texas (San Antonio); Wayne Loucks, University of Waterloo; Kartik Mohanram, Rice University; Jane Morehead, Mississippi State University; Chris Myers, University of Utah; Vojin Oklobdzija, University of California (Davis); James Palmer, Rochester Institute of Technology; Gandhi Puvvada, University of Southern California; Teodoro Robles, Milwaukee School of Engineering; Tatyana Roziner, Boston University; Rob Rutenbar, Carnegie Mellon University; Eric Schwartz, University of Florida; Wen-Tsong Shiue, Oregon State University; Peter Simko, Miami University; Scott Smith, University of Missouri (Rolla); Arun Somani, Iowa State University; Bernard Svihel, University of Texas (Arlington); and Zeljko Zilic, McGill University provided constructive criticism and made numerous suggestions for improvements.

The support of McGraw-Hill people has been exemplary. We truly appreciate the help of Raghu Srinivasan, Vincent Bradshaw, Darlene Schueller, Curt Reynolds, and Michael Lange. We are also grateful for the excellent support in the typesetting of the book that has been provided by Techsetters, Inc.

Stephen Brown and Zvonko Vranesic

# CONTENTS

## Chapter 1

### INTRODUCTION 1

- 1.1 Digital Hardware 2
  - 1.1.1 Standard Chips 4
  - 1.1.2 Programmable Logic Devices 5
  - 1.1.3 Custom-Designed Chips 5
- 1.2 The Design Process 6
- 1.3 Structure of a Computer 8
- 1.4 Logic Circuit Design in This Book 8
- 1.5 Digital Representation of Information 11
  - 1.5.1 Binary Numbers 12
  - 1.5.2 Conversion between Decimal and Binary Systems 13
  - 1.5.3 ASCII Character Code 14
  - 1.5.4 Digital and Analog Information 16
- 1.6 Theory and Practice 16
  - Problems 18
  - References 19

## Chapter 2

### INTRODUCTION TO LOGIC CIRCUITS 21

- 2.1 Variables and Functions 22
- 2.2 Inversion 25
- 2.3 Truth Tables 26
- 2.4 Logic Gates and Networks 27
  - 2.4.1 Analysis of a Logic Network 29
- 2.5 Boolean Algebra 33
  - 2.5.1 The Venn Diagram 37
  - 2.5.2 Notation and Terminology 42
  - 2.5.3 Precedence of Operations 43
- 2.6 Synthesis Using AND, OR, and NOT Gates 43
  - 2.6.1 Sum-of-Products and Product-of-Sums Forms 48
- 2.7 NAND and NOR Logic Networks 54
- 2.8 Design Examples 59
  - 2.8.1 Three-Way Light Control 59

- 2.8.2 Multiplexer Circuit 60
- 2.8.3 Number Display 63
- 2.9 Introduction to CAD Tools 64
  - 2.9.1 Design Entry 64
  - 2.9.2 Logic Synthesis 66
  - 2.9.3 Functional Simulation 67
  - 2.9.4 Physical Design 67
  - 2.9.5 Timing Simulation 67
  - 2.9.6 Circuit Implementation 68
  - 2.9.7 Complete Design Flow 68
- 2.10 Introduction to Verilog 68
  - 2.10.1 Structural Specification of Logic Circuits 70
  - 2.10.2 Behavioral Specification of Logic Circuits 72
  - 2.10.3 Hierarchical Verilog Code 76
  - 2.10.4 How *NOT* to Write Verilog Code 78
- 2.11 Minimization and Karnaugh Maps 78
- 2.12 Strategy for Minimization 87
  - 2.12.1 Terminology 87
  - 2.12.2 Minimization Procedure 89
- 2.13 Minimization of Product-of-Sums Forms 91
- 2.14 Incompletely Specified Functions 94
- 2.15 Multiple-Output Circuits 96
- 2.16 Concluding Remarks 101
- 2.17 Examples of Solved Problems 101
  - Problems 111
  - References 120

## Chapter 3

### NUMBER REPRESENTATION AND ARITHMETIC CIRCUITS 121

- 3.1 Positional Number Representation 122
  - 3.1.1 Unsigned Integers 122
  - 3.1.2 Octal and Hexadecimal Representations 123
- 3.2 Addition of Unsigned Numbers 125
  - 3.2.1 Decomposed Full-Adder 129
  - 3.2.2 Ripple-Carry Adder 129
  - 3.2.3 Design Example 130

- 3.3 Signed Numbers 132
  - 3.3.1 Negative Numbers 133
  - 3.3.2 Addition and Subtraction 135
  - 3.3.3 Adder and Subtractor Unit 138
  - 3.3.4 Radix-Complement Schemes\* 139
  - 3.3.5 Arithmetic Overflow 143
  - 3.3.6 Performance Issues 145
- 3.4 Fast Adders 145
  - 3.4.1 Carry-Lookahead Adder 146
- 3.5 Design of Arithmetic Circuits Using CAD Tools 151
  - 3.5.1 Design of Arithmetic Circuits Using Schematic Capture 151
  - 3.5.2 Design of Arithmetic Circuits Using Verilog 152
  - 3.5.3 Using Vecteded Signals 155
  - 3.5.4 Using a Generic Specification 156
  - 3.5.5 Nets and Variables in Verilog 158
  - 3.5.6 Arithmetic Assignment Statements 159
  - 3.5.7 Module Hierarchy in Verilog Code 163
  - 3.5.8 Representation of Numbers in Verilog Code 166
- 3.6 Multiplication 167
  - 3.6.1 Array Multiplier for Unsigned Numbers 167
  - 3.6.2 Multiplication of Signed Numbers 169
- 3.7 Other Number Representations 170
  - 3.7.1 Fixed-Point Numbers 170
  - 3.7.2 Floating-Point Numbers 172
  - 3.7.3 Binary-Coded-Decimal Representation 174
- 3.8 Examples of Solved Problems 178
  - Problems 184
  - References 188

## Chapter 4

### COMBINATIONAL-CIRCUIT BUILDING BLOCKS 189

- 4.1 Multiplexers 190
  - 4.1.1 Synthesis of Logic Functions Using Multiplexers 193
  - 4.1.2 Multiplexer Synthesis Using Shannon's Expansion 196
- 4.2 Decoders 201
  - 4.2.1 Demultiplexers 203

- 4.3 Encoders 205
  - 4.3.1 Binary Encoders 205
  - 4.3.2 Priority Encoders 205
- 4.4 Code Converters 208
- 4.5 Arithmetic Comparison Circuits 208
- 4.6 Verilog for Combinational Circuits 210
  - 4.6.1 The Conditional Operator 210
  - 4.6.2 The If-Else Statement 212
  - 4.6.3 The Case Statement 215
  - 4.6.4 The For Loop 221
  - 4.6.5 Verilog Operators 223
  - 4.6.6 The Generate Construct 228
  - 4.6.7 Tasks and Functions 229
- 4.7 Concluding Remarks 232
- 4.8 Examples of Solved Problems 233
  - Problems 243
  - References 246

## Chapter 5

### FLIP-FLOPS, REGISTERS, AND COUNTERS 247

- 5.1 Basic Latch 249
- 5.2 Gated SR Latch 251
  - 5.2.1 Gated SR Latch with NAND Gates 253
- 5.3 Gated D Latch 253
  - 5.3.1 Effects of Propagation Delays 255
- 5.4 Edge-Triggered D Flip-Flops 256
  - 5.4.1 Master-Slave D Flip-Flop 256
  - 5.4.2 Other Types of Edge-Triggered D Flip-Flops 258
  - 5.4.3 D Flip-Flops with Clear and Preset 260
  - 5.4.4 Flip-Flop Timing Parameters 263
- 5.5 T Flip-Flop 263
- 5.6 JK Flip-Flop 264
- 5.7 Summary of Terminology 266
- 5.8 Registers 267
  - 5.8.1 Shift Register 267
  - 5.8.2 Parallel-Access Shift Register 267
- 5.9 Counters 269
  - 5.9.1 Asynchronous Counters 269
  - 5.9.2 Synchronous Counters 272
  - 5.9.3 Counters with Parallel Load 276
- 5.10 Reset Synchronization 278
- 5.11 Other Types of Counters 280
  - 5.11.1 BCD Counter 280
  - 5.11.2 Ring Counter 280

- 5.11.3 Johnson Counter 283
- 5.11.4 Remarks on Counter Design 283
- 5.12 Using Storage Elements with CAD Tools 284
  - 5.12.1 Including Storage Elements in Schematics 284
  - 5.12.2 Using Verilog Constructs for Storage Elements 285
  - 5.12.3 Blocking and Non-Blocking Assignments 288
  - 5.12.4 Non-Blocking Assignments for Combinational Circuits 293
  - 5.12.5 Flip-Flops with Clear Capability 293
- 5.13 Using Verilog Constructs for Registers and Counters 295
  - 5.13.1 Flip-Flops and Registers with Enable Inputs 300
  - 5.13.2 Shift Registers with Enable Inputs 302
- 5.14 Design Example 302
  - 5.14.1 Reaction Timer 302
  - 5.14.2 Register Transfer Level (RTL) Code 309
- 5.15 Timing Analysis of Flip-flop Circuits 310
  - 5.15.1 Timing Analysis with Clock Skew 312
- 5.16 Concluding Remarks 314
- 5.17 Examples of Solved Problems 315
  - Problems 321
  - References 329

## Chapter 6

### SYNCHRONOUS SEQUENTIAL CIRCUITS 331

- 6.1 Basic Design Steps 333
  - 6.1.1 State Diagram 333
  - 6.1.2 State Table 335
  - 6.1.3 State Assignment 336
  - 6.1.4 Choice of Flip-Flops and Derivation of Next-State and Output Expressions 337
  - 6.1.5 Timing Diagram 339
  - 6.1.6 Summary of Design Steps 340
- 6.2 State-Assignment Problem 344
  - 6.2.1 One-Hot Encoding 347
- 6.3 Mealy State Model 349
- 6.4 Design of Finite State Machines Using CAD Tools 354
  - 6.4.1 Verilog Code for Moore-Type FSMs 355
  - 6.4.2 Synthesis of Verilog Code 356
  - 6.4.3 Simulating and Testing the Circuit 358

- 6.4.4 Alternative Styles of Verilog Code 359
- 6.4.5 Summary of Design Steps When Using CAD Tools 360
- 6.4.6 Specifying the State Assignment in Verilog Code 361
- 6.4.7 Specification of Mealy FSMs Using Verilog 363
- 6.5 Serial Adder Example 363
  - 6.5.1 Mealy-Type FSM for Serial Adder 364
  - 6.5.2 Moore-Type FSM for Serial Adder 367
  - 6.5.3 Verilog Code for the Serial Adder 370
- 6.6 State Minimization 372
  - 6.6.1 Partitioning Minimization Procedure 374
  - 6.6.2 Incompletely Specified FSMs 381
- 6.7 Design of a Counter Using the Sequential Circuit Approach 383
  - 6.7.1 State Diagram and State Table for a Modulo-8 Counter 383
  - 6.7.2 State Assignment 384
  - 6.7.3 Implementation Using D-Type Flip-Flops 385
  - 6.7.4 Implementation Using JK-Type Flip-Flops 386
  - 6.7.5 Example—A Different Counter 390
- 6.8 FSM as an Arbiter Circuit 393
- 6.9 Analysis of Synchronous Sequential Circuits 397
- 6.10 Algorithmic State Machine (ASM) Charts 401
- 6.11 Formal Model for Sequential Circuits 405
- 6.12 Concluding Remarks 407
- 6.13 Examples of Solved Problems 407
  - Problems 416
  - References 420

## Chapter 7

### DIGITAL SYSTEM DESIGN 421

- 7.1 Bus Structure 422
  - 7.1.1 Using Tri-State Drivers to Implement a Bus 422
  - 7.1.2 Using Multiplexers to Implement a Bus 424
  - 7.1.3 Verilog Code for Specification of Bus Structures 426
- 7.2 Simple Processor 429

- 7.3 A Bit-Counting Circuit 441
- 7.4 Shift-and-Add Multiplier 446
- 7.5 Divider 455
- 7.6 Arithmetic Mean 466
- 7.7 Sort Operation 470
- 7.8 Clock Synchronization and Timing Issues 478
  - 7.8.1 Clock Distribution 478
  - 7.8.2 Flip-Flop Timing Parameters 481
  - 7.8.3 Asynchronous Inputs to Flip-Flops 482
  - 7.8.4 Switch Debouncing 483
- 7.9 Concluding Remarks 485
  - Problems 485
  - References 489

## Chapter 8

### OPTIMIZED IMPLEMENTATION OF LOGIC FUNCTIONS 491

- 8.1 Multilevel Synthesis 492
  - 8.1.1 Factoring 493
  - 8.1.2 Functional Decomposition 496
  - 8.1.3 Multilevel NAND and NOR Circuits 502
- 8.2 Analysis of Multilevel Circuits 504
- 8.3 Alternative Representations of Logic Functions 510
  - 8.3.1 Cubical Representation 510
  - 8.3.2 Binary Decision Diagrams 514
- 8.4 Optimization Techniques Based on Cubical Representation 520
  - 8.4.1 A Tabular Method for Minimization 521
  - 8.4.2 A Cubical Technique for Minimization 529
  - 8.4.3 Practical Considerations 536
- 8.5 Concluding Remarks 537
- 8.6 Examples of Solved Problems 537
  - Problems 546
  - References 549

## Chapter 9

### ASYNCHRONOUS SEQUENTIAL CIRCUITS 551

- 9.1 Asynchronous Behavior 552
- 9.2 Analysis of Asynchronous Circuits 556

- 9.3 Synthesis of Asynchronous Circuits 564
- 9.4 State Reduction 577
- 9.5 State Assignment 592
  - 9.5.1 Transition Diagram 595
  - 9.5.2 Exploiting Unspecified Next-State Entries 598
  - 9.5.3 State Assignment Using Additional State Variables 602
  - 9.5.4 One-Hot State Assignment 607
- 9.6 Hazards 608
  - 9.6.1 Static Hazards 609
  - 9.6.2 Dynamic Hazards 613
  - 9.6.3 Significance of Hazards 614
- 9.7 A Complete Design Example 616
  - 9.7.1 The Vending-Machine Controller 616
- 9.8 Concluding Remarks 621
- 9.9 Examples of Solved Problems 623
  - Problems 631
  - References 635

## Chapter 10

### COMPUTER AIDED DESIGN TOOLS 637

- 10.1 Synthesis 638
  - 10.1.1 Netlist Generation 638
  - 10.1.2 Gate Optimization 638
  - 10.1.3 Technology Mapping 640
- 10.2 Physical Design 644
  - 10.2.1 Placement 646
  - 10.2.2 Routing 647
  - 10.2.3 Static Timing Analysis 648
- 10.3 Concluding Remarks 650
  - References 651

## Chapter 11

### TESTING OF LOGIC CIRCUITS 653

- 11.1 Fault Model 654
  - 11.1.1 Stuck-at Model 654
  - 11.1.2 Single and Multiple Faults 655
  - 11.1.3 CMOS Circuits 655
- 11.2 Complexity of a Test Set 655
- 11.3 Path Sensitizing 657
  - 11.3.1 Detection of a Specific Fault 659
- 11.4 Circuits with Tree Structure 661
- 11.5 Random Tests 662

- 11.6 Testing of Sequential Circuits 665
  - 11.6.1 Design for Testability 665
- 11.7 Built-in Self-Test 669
  - 11.7.1 Built-in Logic Block Observer 673
  - 11.7.2 Signature Analysis 675
  - 11.7.3 Boundary Scan 676
- 11.8 Printed Circuit Boards 676
  - 11.8.1 Testing of PCBs 678
  - 11.8.2 Instrumentation 679
- 11.9 Concluding Remarks 680
  - Problems 680
  - References 683

## Appendix A

### VERILOG REFERENCE 685

- A.1 Documentation in Verilog Code 686
- A.2 White Space 686
- A.3 Signals in Verilog Code 686
- A.4 Identifier Names 687
- A.5 Signal Values, Numbers, and Parameters 687
  - A.5.1 Parameters 688
- A.6 Net and Variable Types 688
  - A.6.1 Nets 688
  - A.6.2 Variables 689
  - A.6.3 Memories 690
- A.7 Operators 690
- A.8 Verilog Module 692
- A.9 Gate Instantiations 694
- A.10 Concurrent Statements 696
  - A.10.1 Continuous Assignments 696
  - A.10.2 Using Parameters 697
- A.11 Procedural Statements 698
  - A.11.1 Always and Initial Blocks 698
  - A.11.2 The If-Else Statement 700
  - A.11.3 Statement Ordering 701
  - A.11.4 The Case Statement 702
  - A.11.5 Casez and Casex Statements 703
  - A.11.6 Loop Statements 704
  - A.11.7 Blocking versus Non-blocking Assignments for Combinational Circuits 708
- A.12 Using Subcircuits 709
  - A.12.1 Subcircuit Parameters 710
  - A.12.2 The Generate Capability 712
- A.13 Functions and Tasks 713

- A.14 Sequential Circuits 716
  - A.14.1 A Gated D Latch 717
  - A.14.2 D Flip-Flop 717
  - A.14.3 Flip-Flops with Reset 718
  - A.14.4 Registers 718
  - A.14.5 Shift Registers 720
  - A.14.6 Counters 721
  - A.14.7 An Example of a Sequential Circuit 722
  - A.14.8 Moore-Type Finite State Machines 723
  - A.14.9 Mealy-Type Finite State Machines 724
- A.15 Guidelines for Writing Verilog Code 725
- A.16 Concluding Remarks 731
  - References 731

## Appendix B

### IMPLEMENTATION TECHNOLOGY 733

- B.1 Transistor Switches 734
- B.2 NMOS Logic Gates 736
- B.3 CMOS Logic Gates 739
  - B.3.1 Speed of Logic Gate Circuits 746
- B.4 Negative Logic System 747
- B.5 Standard Chips 749
  - B.5.1 7400-Series Standard Chips 749
- B.6 Programmable Logic Devices 753
  - B.6.1 Programmable Logic Array (PLA) 754
  - B.6.2 Programmable Array Logic (PAL) 757
  - B.6.3 Programming of PLAs and PALs 759
  - B.6.4 Complex Programmable Logic Devices (CPLDs) 761
  - B.6.5 Field-Programmable Gate Arrays 764
- B.7 Custom Chips, Standard Cells, and Gate Arrays 769
- B.8 Practical Aspects 771
  - B.8.1 MOSFET Fabrication and Behavior 771
  - B.8.2 MOSFET On-Resistance 775
  - B.8.3 Voltage Levels in Logic Gates 776
  - B.8.4 Noise Margin 778
  - B.8.5 Dynamic Operation of Logic Gates 779
  - B.8.6 Power Dissipation in Logic Gates 782
  - B.8.7 Passing 1s and 0s Through Transistor Switches 784
  - B.8.8 Transmission Gates 786
  - B.8.9 Fan-in and Fan-out in Logic Gates 788
  - B.8.10 Tri-state Drivers 792



B.9	Static Random Access Memory (SRAM)	794	B.12	Examples of Solved Problems	807
	B.9.1	SRAM Blocks in PLDs		Problems	814
B.10	Implementation Details for SPLDs, CPLDs, and FPGAs	797		References	823
	B.10.1	Implementation in FPGAs			
B.11	Concluding Remarks	806		<b>ANSWERS</b>	<b>825</b>
				<b>INDEX</b>	<b>839</b>

---

chapter

# 1

## INTRODUCTION

### CHAPTER OBJECTIVES

In this chapter you will be introduced to:

- Digital hardware components
- An overview of the design process
- Binary numbers
- Digital representation of information

This book is about logic circuits—the circuits from which computers are built. Proper understanding of logic circuits is vital for today’s electrical and computer engineers. These circuits are the key ingredient of computers and are also used in many other applications. They are found in commonly-used products like music and video players, electronic games, digital watches, cameras, televisions, printers, and many household appliances, as well as in large systems, such as telephone networks, Internet equipment, television broadcast equipment, industrial control units, and medical instruments. In short, logic circuits are an important part of almost all modern products.

The material in this book will introduce the reader to the many issues involved in the design of logic circuits. It explains the key ideas with simple examples and shows how complex circuits can be derived from elementary ones. We cover the classical theory used in the design of logic circuits because it provides the reader with an intuitive understanding of the nature of such circuits. But, throughout the book, we also illustrate the modern way of designing logic circuits using sophisticated *computer aided design (CAD)* software tools. The CAD methodology adopted in the book is based on the industry-standard design language called the *Verilog hardware description language*. Design with Verilog is first introduced in Chapter 2, and usage of Verilog and CAD tools is an integral part of each chapter in the book.

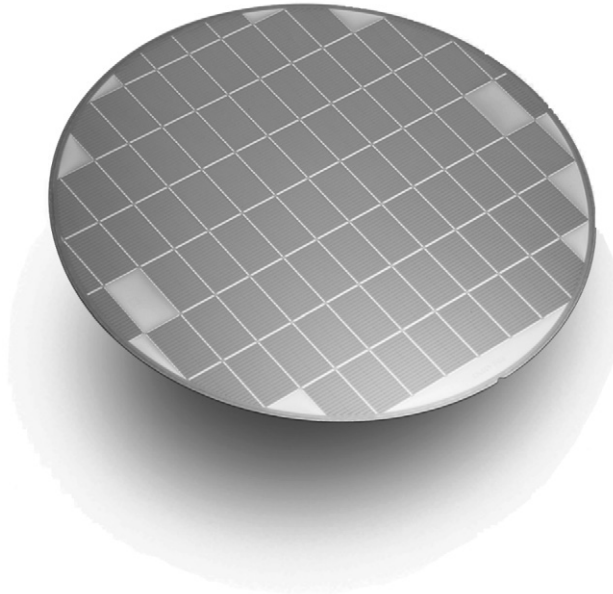
Logic circuits are implemented electronically, using transistors on an integrated circuit chip. Commonly available chips that use modern technology may contain more than a billion transistors, as in the case of some computer processors. The basic building blocks for such circuits are easy to understand, but there is nothing simple about a circuit that contains billions of transistors. The complexity that comes with large circuits can be handled successfully only by using highly-organized design techniques. We introduce these techniques in this chapter, but first we briefly describe the hardware technology used to build logic circuits.

---

## 1.1 DIGITAL HARDWARE

**Logic circuits** are used to build computer hardware, as well as many other types of products. All such products are broadly classified as **digital hardware**. The reason that the name **digital** is used will be explained in Section 1.5—it derives from the way in which information is represented in computers, as electronic signals that correspond to digits of information.

The technology used to build digital hardware has evolved dramatically over the past few decades. Until the 1960s logic circuits were constructed with bulky components, such as transistors and resistors that came as individual parts. The advent of integrated circuits made it possible to place a number of transistors, and thus an entire circuit, on a single chip. In the beginning these circuits had only a few transistors, but as the technology improved they became more complex. Integrated circuit chips are manufactured on a silicon wafer, such as the one shown in Figure 1.1. The wafer is cut to produce the individual chips, which are then placed inside a special type of chip package. By 1970 it was possible to implement all circuitry needed to realize a microprocessor on a single chip. Although early microprocessors had modest computing capability by today’s standards, they opened the door for the information processing revolution by providing the means for implementation of affordable personal computers.

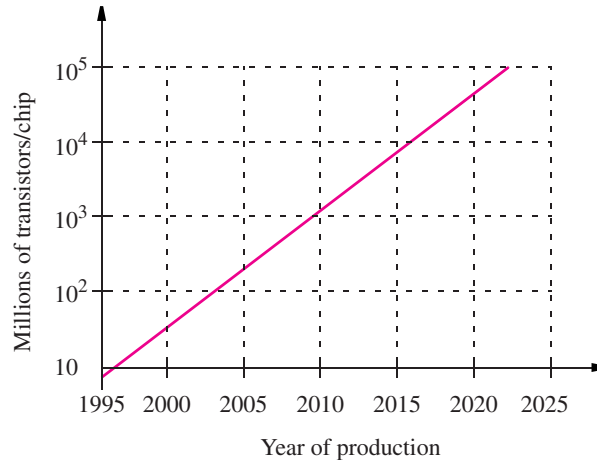


**Figure 1.1** A silicon wafer (courtesy of Altera Corp.).

About 30 years ago Gordon Moore, chairman of Intel Corporation, observed that integrated circuit technology was progressing at an astounding rate, approximately doubling the number of transistors that could be placed on a chip every two years. This phenomenon, informally known as *Moore's law*, continues to the present day. Thus in the early 1990s microprocessors could be manufactured with a few million transistors, and by the late 1990s it became possible to fabricate chips that had tens of millions of transistors. Presently, chips can be manufactured containing billions of transistors.

Moore's law is expected to continue to hold true for a number of years. A consortium of integrated circuit associations produces a forecast of how the technology is expected to evolve. Known as the *International Technology Roadmap for Semiconductors (ITRS)* [1], this forecast discusses many aspects of technology, including the maximum number of transistors that can be manufactured on a single chip. A sample of data from the ITRS is given in Figure 1.2. It shows that chips with about 10 million transistors could be successfully manufactured in 1995, and this number has steadily increased, leading to today's chips with over a billion transistors. The roadmap predicts that chips with as many as 100 billion transistors will be possible by the year 2022. There is no doubt that this technology will have a huge impact on all aspects of people's lives.

The designer of digital hardware may be faced with designing logic circuits that can be implemented on a single chip or designing circuits that involve a number of chips placed on a *printed circuit board (PCB)*. Frequently, some of the logic circuits can be realized



**Figure 1.2** An estimate of the maximum number of transistors per chip over time.

in existing chips that are readily available. This situation simplifies the design task and shortens the time needed to develop the final product. Before we discuss the design process in detail, we should introduce the different types of integrated circuit chips that may be used.

There exists a large variety of chips that implement various functions that are useful in the design of digital hardware. The chips range from simple ones with low functionality to extremely complex chips. For example, a digital hardware product may require a microprocessor to perform some arithmetic operations, memory chips to provide storage capability, and interface chips that allow easy connection to input and output devices. Such chips are available from various vendors.

For many digital hardware products, it is also necessary to design and build some logic circuits from scratch. For implementing these circuits, three main types of chips may be used: standard chips, programmable logic devices, and custom chips. These are discussed next.

### 1.1.1 STANDARD CHIPS

Numerous chips are available that realize some commonly-used logic circuits. We will refer to these as *standard chips*, because they usually conform to an agreed-upon standard in terms of functionality and physical configuration. Each standard chip contains a small amount of circuitry (usually involving fewer than 100 transistors) and performs a simple function. To build a logic circuit, the designer chooses the chips that perform whatever functions are needed and then defines how these chips should be interconnected to realize a larger logic circuit.

Standard chips were popular for building logic circuits until the early 1980s. However, as integrated circuit technology improved, it became inefficient to use valuable space on PCBs for chips with low functionality. Another drawback of standard chips is that the functionality of each chip is fixed and cannot be changed.

### 1.1.2 PROGRAMMABLE LOGIC DEVICES

In contrast to standard chips that have fixed functionality, it is possible to construct chips that contain circuitry which can be configured by the user to implement a wide range of different logic circuits. These chips have a very general structure and include a collection of *programmable switches* that allow the internal circuitry in the chip to be configured in many different ways. The designer can implement whatever functions are required for a particular application by setting the programmable switches as needed. The switches are programmed by the end user, rather than when the chip is manufactured. Such chips are known as *programmable logic devices (PLDs)*.

PLDs are available in a wide range of sizes, and can be used to implement very large logic circuits. The most commonly-used type of PLD is known as a *field-programmable gate array (FPGA)*. The largest FPGAs contain billions of transistors [2, 3], and support the implementation of complex digital systems. An FPGA consists of a large number of small logic circuit elements, which can be connected together by using programmable switches in the FPGA. Because of their high capacity, and their capability to be tailored to meet the requirements of a specific application, FPGAs are widely used today.

### 1.1.3 CUSTOM-DESIGNED CHIPS

FPGAs are available as off-the-shelf components that can be purchased from different suppliers. Because they are programmable, they can be used to implement most logic circuits found in digital hardware. However, they also have a drawback in that the programmable switches consume valuable chip area and limit the speed of operation of implemented circuits. Thus in some cases FPGAs may not meet the desired performance or cost objectives. In such situations it is possible to design a chip from scratch; namely, the logic circuitry that must be included on the chip is designed first and then the chip is manufactured by a company that has the fabrication facilities. This approach is known as *custom* or *semi-custom design*, and such chips are often called *application-specific integrated circuits (ASICs)*.

The main advantage of a custom chip is that its design can be optimized for a specific task; hence it usually leads to better performance. It is possible to include a larger amount of logic circuitry in a custom chip than would be possible in other types of chips. The cost of producing such chips is high, but if they are used in a product that is sold in large quantities, then the cost per chip, amortized over the total number of chips fabricated, may be lower than the total cost of off-the-shelf chips that would be needed to implement the same function(s). Moreover, if a single chip can be used instead of multiple chips to achieve the same goal, then a smaller area is needed on a PCB that houses the chips in the final product. This results in a further reduction in cost.

A disadvantage of the custom-design approach is that manufacturing a custom chip often takes a considerable amount of time, on the order of months. In contrast, if an FPGA can be used instead, then the chips are programmed by the end user and no manufacturing delays are involved.

---

## 1.2 THE DESIGN PROCESS

The availability of computer-based tools has greatly influenced the design process in a wide variety of environments. For example, designing an automobile is similar in the general approach to designing a furnace or a computer. Certain steps in the development cycle must be performed if the final product is to meet the specified objectives.

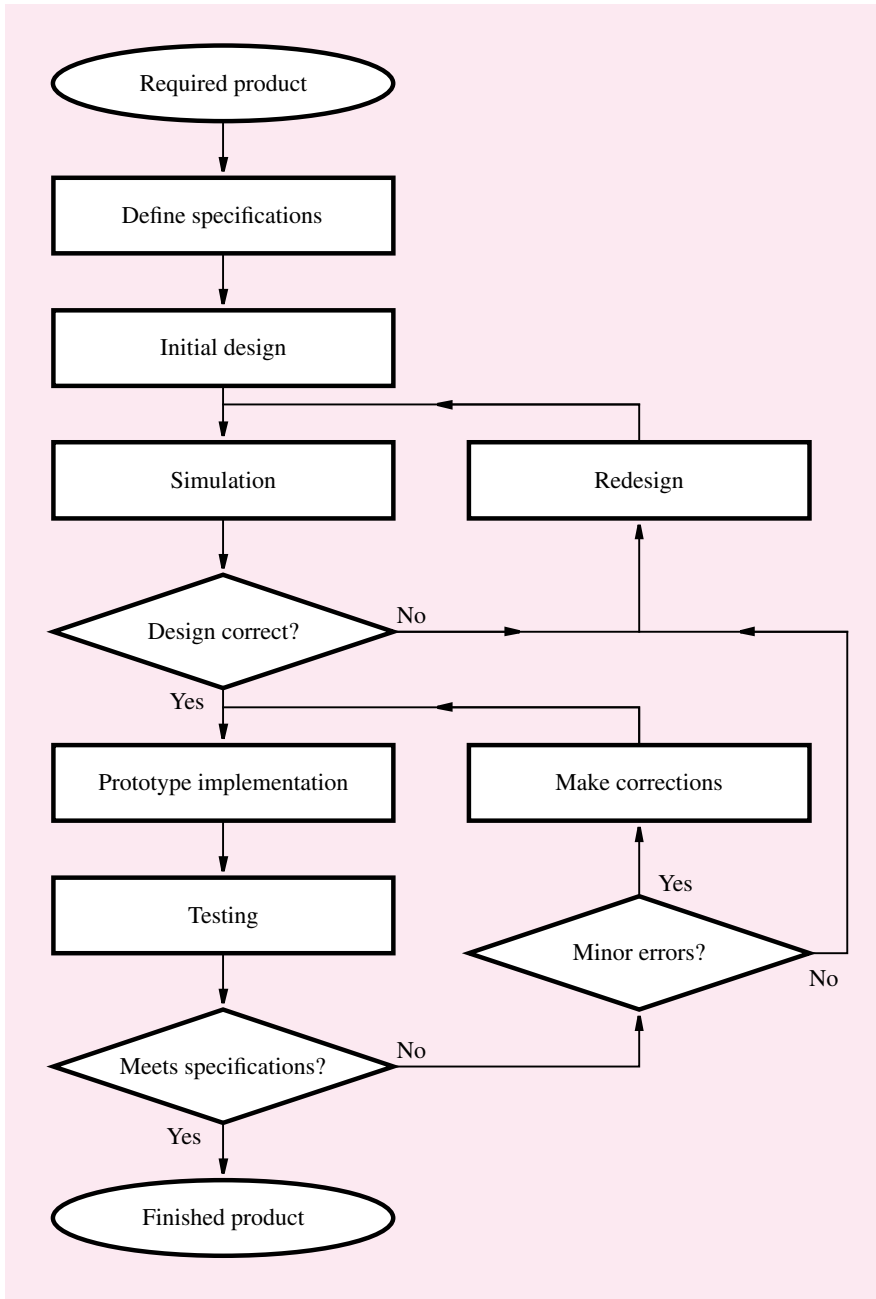
The flowchart in Figure 1.3 depicts a typical development process. We assume that the process is to develop a product that meets certain expectations. The most obvious requirements are that the product must function properly, that it must meet an expected level of performance, and that its cost should not exceed a given target.

The process begins with the definition of product specifications. The essential features of the product are identified, and an acceptable method of evaluating the implemented features in the final product is established. The specifications must be tight enough to ensure that the developed product will meet the general expectations, but should not be unnecessarily constraining (that is, the specifications should not prevent design choices that may lead to unforeseen advantages).

From a complete set of specifications, it is necessary to define the general structure of an initial design of the product. This step is difficult to automate. It is usually performed by a human designer because there is no clear-cut strategy for developing a product's overall structure—it requires considerable design experience and intuition.

After the general structure is established, CAD tools are used to work out the details. Many types of CAD tools are available, ranging from those that help with the design of individual parts of the system to those that allow the entire system's structure to be represented in a computer. When the initial design is finished, the results must be verified against the original specifications. Traditionally, before the advent of CAD tools, this step involved constructing a physical model of the designed product, usually including just the key parts. Today it is seldom necessary to build a physical model. CAD tools enable designers to simulate the behavior of incredibly complex products, and such simulations are used to determine whether the obtained design meets the required specifications. If errors are found, then appropriate changes are made and the verification of the new design is repeated through simulation. Although some design flaws may escape detection via simulation, usually all but the most subtle problems are discovered in this way.

When the simulation indicates that the design is correct, a complete physical prototype of the product is constructed. The prototype is thoroughly tested for conformance with the specifications. Any errors revealed in the testing must be fixed. The errors may be minor, and often they can be eliminated by making small corrections directly on the prototype of the product. In case of large errors, it is necessary to redesign the product and repeat the steps explained above. When the prototype passes all the tests, then the product is deemed to be successfully designed and it can go into production.



**Figure 1.3** The development process.



---

## 1.3 STRUCTURE OF A COMPUTER

To understand the role that logic circuits play in digital systems, consider the structure of a typical computer, as illustrated in Figure 1.4a. The computer case houses a number of printed circuit boards (PCBs), a power supply, and (not shown in the figure) storage units, like a hard disk and DVD or CD-ROM drives. Each unit is plugged into a main PCB, called the *motherboard*. As indicated on the bottom of the figure, the motherboard holds several integrated circuit chips, and it provides slots for connecting other PCBs, such as audio, video, and network boards.

Figure 1.4b illustrates the structure of an integrated circuit chip. The chip comprises a number of subcircuits, which are interconnected to build the complete circuit. Examples of subcircuits are those that perform arithmetic operations, store data, or control the flow of data. Each of these subcircuits is a logic circuit. As shown in the middle of the figure, a logic circuit comprises a network of connected *logic gates*. Each logic gate performs a very simple function, and more complex operations are realized by connecting gates together. Logic gates are built with transistors, which in turn are implemented by fabricating various layers of material on a silicon chip.

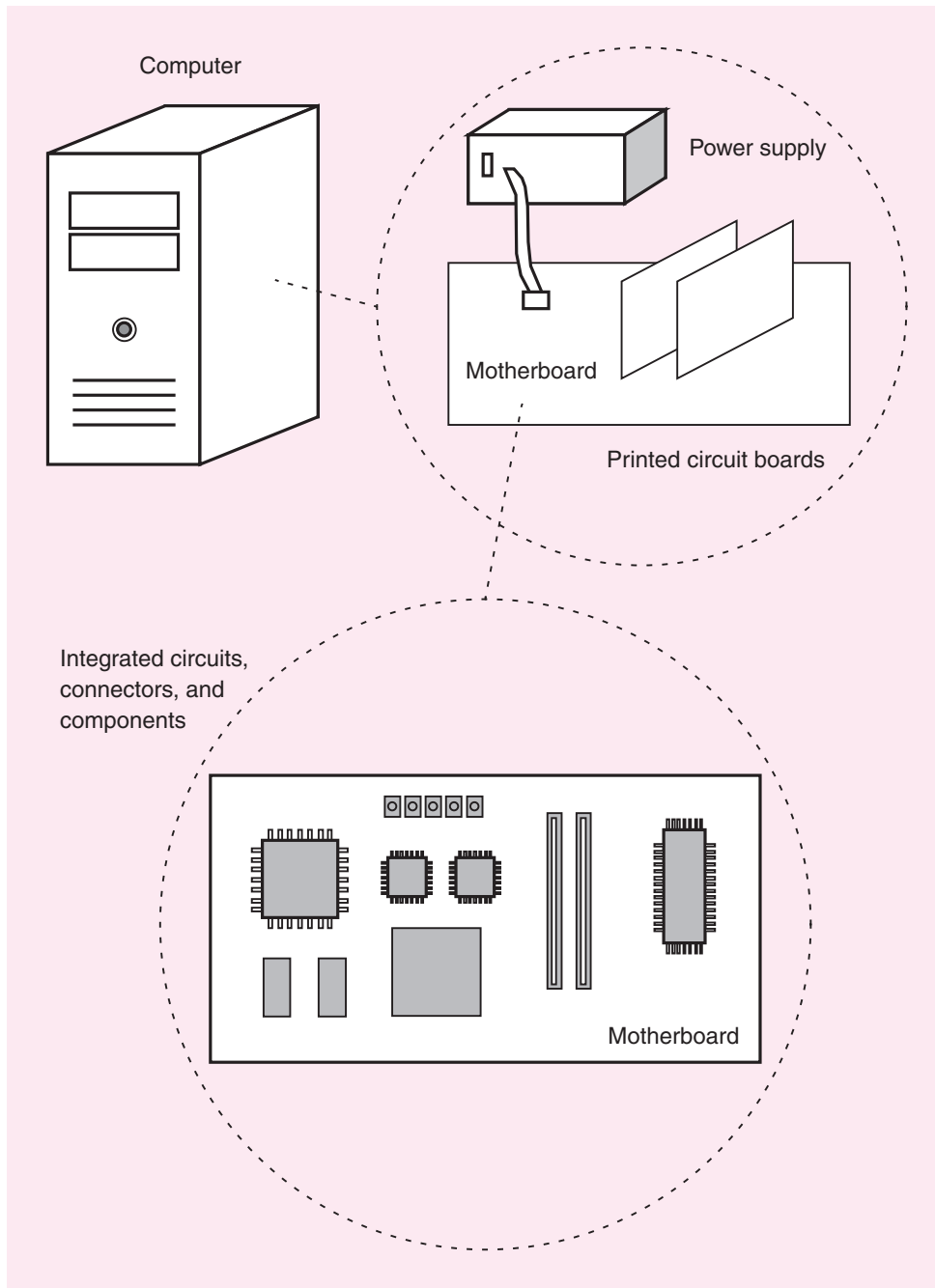
This book is primarily concerned with the center portion of Figure 1.4b—the design of logic circuits. We explain how to design circuits that perform important functions, such as adding, subtracting, or multiplying numbers, counting, storing data, and controlling the processing of information. We show how the behavior of such circuits is specified, how the circuits are designed for minimum cost or maximum speed of operation, and how the circuits can be tested to ensure correct operation. We also briefly explain how transistors operate, and how they are built on silicon chips.

---

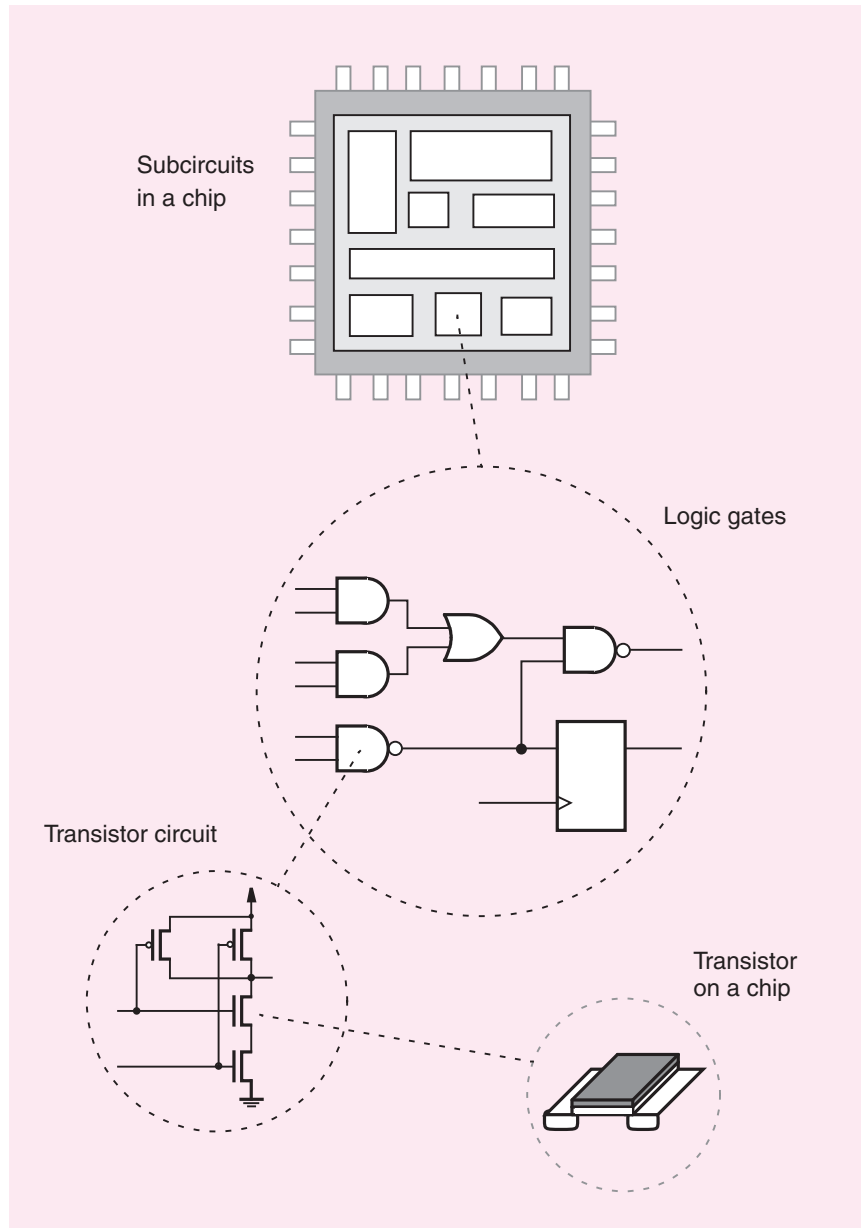
## 1.4 LOGIC CIRCUIT DESIGN IN THIS BOOK

In this book we use a modern design approach based on the Verilog hardware description language and CAD tools to illustrate many aspects of logic circuit design. We selected this technology because it is widely used in industry and because it enables the readers to implement their designs in FPGA chips, as discussed below. This technology is particularly well-suited for educational purposes because many readers have access to facilities for using CAD tools and programming FPGA devices.

To gain practical experience and a deeper understanding of logic circuits, we advise the reader to implement the examples in this book using CAD software. Most of the major vendors of CAD systems provide their software at no cost to university students for educational use. Some examples are Altera, Cadence, Mentor Graphics, Synopsys, and Xilinx. The CAD systems offered by any of these companies can be used equally well with this book. Two CAD systems that are particularly well-suited for use with this book are the Quartus II software from Altera and the ISE software from Xilinx. Both of these CAD systems support all phases of the design cycle for logic circuits and are powerful and easy to use. The reader is encouraged to visit the website for these companies, where



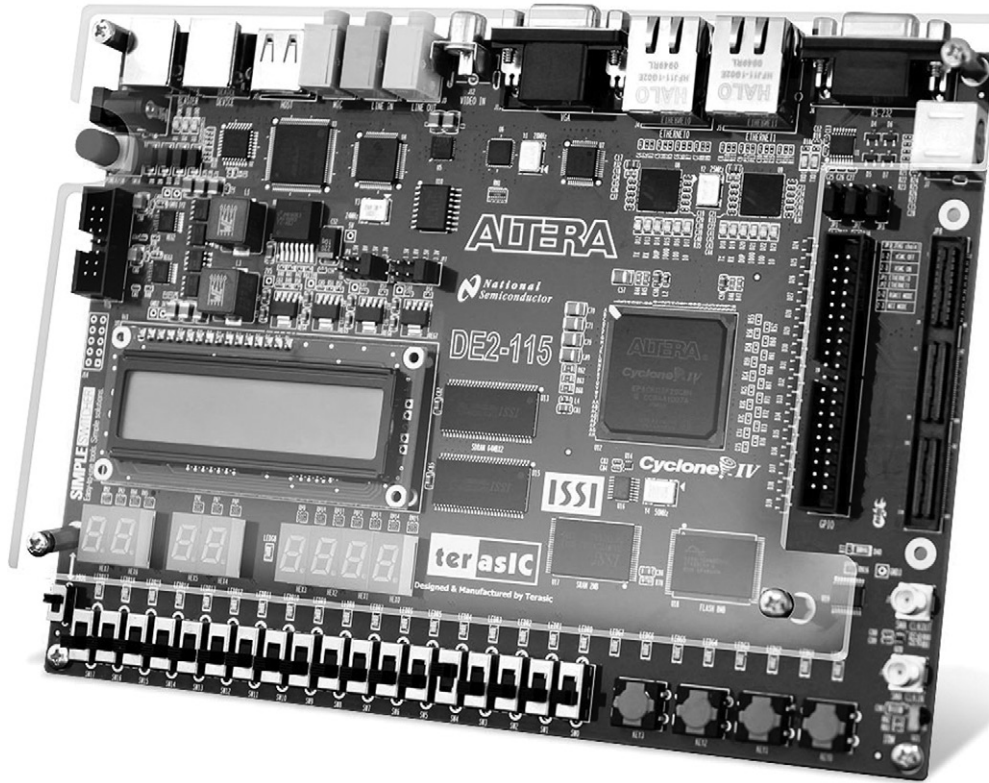
**Figure 1.4** A digital hardware system (Part a).



**Figure 1.4** A digital hardware system (Part *b*).

the software tools and tutorials that explain their use can be downloaded and installed onto any personal computer.

To facilitate experimentation with logic circuits, some FPGA manufacturers provide special PCBs that include one or more FPGA chips and an interface to a personal computer.



**Figure 1.5** An FPGA board.

Once a logic circuit has been designed using the CAD tools, the circuit can be *programmed* into an FPGA on the board. Inputs can then be applied to the FPGA by way of switches and other devices, and the generated outputs can be examined. An example of such a board is depicted in Figure 1.5. This type of board is an excellent vehicle for learning about logic circuits, because it provides a collection of simple input and output devices. Many illustrative experiments can be carried out by designing and implementing logic circuits using the FPGA chip on the board.

---

## 1.5 DIGITAL REPRESENTATION OF INFORMATION

In Section 1.1 we mentioned that information is represented in logic circuits as electronic signals. Each of these signals can be thought of as representing one *digit* of information. To make the design of logic circuits easier, each digit is allowed to take on only two possible values, usually denoted as 0 and 1. These logic values are implemented as voltage levels in a circuit; the value 0 is usually represented as 0 V (ground), and the value 1 is the voltage

level of the circuit's power supply. As we discuss in Appendix B, typical power-supply voltages in logic circuits range from 1 V DC to 5 V DC.

In general, all information in logic circuits is represented as combinations of 0 and 1 digits. Before beginning our discussion of logic circuits in Chapter 2, it will be helpful to examine how numbers, alphanumeric data (text), and other information can be represented using the digits 0 and 1.

### 1.5.1 BINARY NUMBERS

In the familiar decimal system, a number consists of digits that have 10 possible values, from 0 to 9, and each digit represents a multiple of a power of 10. For example, the number 8547 represents  $8 \times 10^3 + 5 \times 10^2 + 4 \times 10^1 + 7 \times 10^0$ . We do not normally write the powers of 10 with the number, because they are implied by the positions of the digits. In general, a decimal integer is expressed by an  $n$ -tuple comprising  $n$  decimal digits

$$D = d_{n-1}d_{n-2} \cdots d_1d_0$$

which represents the value

$$V(D) = d_{n-1} \times 10^{n-1} + d_{n-2} \times 10^{n-2} + \cdots + d_1 \times 10^1 + d_0 \times 10^0$$

This is referred to as the *positional number representation*.

Because the digits have 10 possible values and each digit is weighted as a power of 10, we say that decimal numbers are *base-10* numbers. Decimal numbers are familiar, convenient, and easy to understand. However, since digital circuits represent information using only the values 0 and 1, it is not practical to have digits that can assume ten values. In these circuits it is more appropriate to use the binary, or *base-2*, system which has only the digits 0 and 1. Each binary digit is called a *bit*. In the binary number system, the same positional number representation is used so that

$$B = b_{n-1}b_{n-2} \cdots b_1b_0$$

represents an integer that has the value

$$\begin{aligned} V(B) &= b_{n-1} \times 2^{n-1} + b_{n-2} \times 2^{n-2} + \cdots + b_1 \times 2^1 + b_0 \times 2^0 & [1.1] \\ &= \sum_{i=0}^{n-1} b_i \times 2^i \end{aligned}$$

For example, the binary number 1101 represents the value

$$V = 1 \times 2^3 + 1 \times 2^2 + 0 \times 2^1 + 1 \times 2^0$$

Because a particular digit pattern has different meanings for different bases, we will indicate the base as a subscript when there is potential for confusion. Thus to specify that 1101 is a base-2 number, we will write  $(1101)_2$ . Evaluating the preceding expression for  $V$  gives  $V = 8 + 4 + 1 = 13$ . Hence

$$(1101)_2 = (13)_{10}$$

**Table 1.1** Numbers in decimal and binary.

Decimal representation	Binary representation
00	0000
01	0001
02	0010
03	0011
04	0100
05	0101
06	0110
07	0111
08	1000
09	1001
10	1010
11	1011
12	1100
13	1101
14	1110
15	1111

The range of integers that can be represented by a binary number depends on the number of bits used. Table 1.1 lists the first 15 positive integers and shows their binary representations using four bits. An example of a larger number is  $(10110111)_2 = (183)_{10}$ . In general, using  $n$  bits allows representation of positive integers in the range 0 to  $2^n - 1$ .

In a binary number the right-most bit is usually referred to as the *least-significant bit (LSB)*. The left-most bit, which has the highest power of 2 associated with it, is called the *most-significant bit (MSB)*. In digital systems it is often convenient to consider several bits together as a group. A group of four bits is called a *nibble*, and a group of eight bits is called a *byte*.

## 1.5.2 CONVERSION BETWEEN DECIMAL AND BINARY SYSTEMS

A binary number is converted into a decimal number simply by applying Equation 1.1 and evaluating it using decimal arithmetic. Converting a decimal number into a binary number is not quite as straightforward, because we need to construct the number by using powers of 2. For example, the number  $(17)_{10}$  is  $2^4 + 2^0 = (10001)_2$ , and the number  $(50)_{10}$  is  $2^5 + 2^4 + 2^1 = (110010)_2$ . In general, the conversion can be performed by successively dividing the decimal number by 2 as follows. Suppose that a decimal number  $D = d_{k-1} \cdots d_1 d_0$ , with a value  $V$ , is to be converted into a binary number  $B = b_{n-1} \cdots b_2 b_1 b_0$ . Then, we can write  $V$  in the form

$$V = b_{n-1} \times 2^{n-1} + \cdots + b_2 \times 2^2 + b_1 \times 2^1 + b_0$$

Convert  $(857)_{10}$

		Remainder	
$857 \div 2$	=	428	1      LSB
$428 \div 2$	=	214	0
$214 \div 2$	=	107	0
$107 \div 2$	=	53	1
$53 \div 2$	=	26	1
$26 \div 2$	=	13	0
$13 \div 2$	=	6	1
$6 \div 2$	=	3	0
$3 \div 2$	=	1	1
$1 \div 2$	=	0	1      MSB

Result is  $(1101011001)_2$

**Figure 1.6** Conversion from decimal to binary.

If we now divide  $V$  by 2, the result is

$$\frac{V}{2} = b_{n-1} \times 2^{n-2} + \cdots + b_2 \times 2^1 + b_1 + \frac{b_0}{2}$$

The quotient of this integer division is  $b_{n-1} \times 2^{n-2} + \cdots + b_2 \times 2 + b_1$ , and the remainder is  $b_0$ . If the remainder is 0, then  $b_0 = 0$ ; if it is 1, then  $b_0 = 1$ . Observe that the quotient is just another binary number, which comprises  $n - 1$  bits, rather than  $n$  bits. Dividing this number by 2 yields the remainder  $b_1$ . The new quotient is

$$b_{n-1} \times 2^{n-3} + \cdots + b_2$$

Continuing the process of dividing the new quotient by 2, and determining one bit in each step, will produce all bits of the binary number. The process continues until the quotient becomes 0. Figure 1.6 illustrates the conversion process, using the example  $(857)_{10} = (1101011001)_2$ . Note that the least-significant bit (LSB) is generated first and the most-significant bit (MSB) is generated last.

So far, we have considered only the representation of positive integers. In Chapter 3 we will complete the discussion of number representation by explaining how negative numbers are handled and how fixed-point and floating-point numbers may be represented. We will also explain how arithmetic operations are performed in computers.

### 1.5.3 ASCII CHARACTER CODE

Alphanumeric information, such as letters and numbers typed on a computer keyboard, is represented as codes consisting of 0 and 1 digits. The most common code used for this type of information is known as the *ASCII code*, which stands for the American Standard Code for Information Interchange. The code specified by this standard is presented in Table 1.2.

**Table 1.2** The seven-bit ASCII code.

Bit positions 3210	Bit positions 654							
	000	001	010	011	100	101	110	111
0000	NUL	DLE	SPACE	0	@	P	´	p
0001	SOH	DC1	!	1	A	Q	a	q
0010	STX	DC2	”	2	B	R	b	r
0011	ETX	DC3	#	3	C	S	c	s
0100	EOT	DC4	\$	4	D	T	d	t
0101	ENQ	NAK	%	5	E	U	e	u
0110	ACK	SYN	&	6	F	V	f	v
0111	BEL	ETB	’	7	G	W	g	w
1000	BS	CAN	(	8	H	X	h	x
1001	HT	EM	)	9	I	Y	i	y
1010	LF	SUB	*	:	J	Z	j	z
1011	VT	ESC	+	;	K	[	k	{
1100	FF	FS	,	<	L	\	l	
1101	CR	GS	-	=	M	]	m	}
1110	SO	RS	.	>	N	^	n	~
1111	SI	US	/	?	O	—	o	DEL
NUL	Null/Idle		SI	Shift in				
SOH	Start of header		DLE	Data link escape				
STX	Start of text		DC1-DC4	Device control				
ETX	End of text		NAK	Negative acknowledgement				
EOT	End of transmission		SYN	Synchronous idle				
ENQ	Enquiry		ETB	End of transmitted block				
ACQ	Acknowledgement		CAN	Cancel (error in data)				
BEL	Audible signal		EM	End of medium				
BS	Back space		SUB	Special sequence				
HT	Horizontal tab		ESC	Escape				
LF	Line feed		FS	File separator				
VT	Vertical tab		GS	Group separator				
FF	Form feed		RS	Record separator				
CR	Carriage return		US	Unit separator				
SO	Shift out		DEL	Delete/Idle				

Bit positions of code format = 

6	5	4	3	2	1	0
---	---	---	---	---	---	---



The ASCII code uses seven-bit patterns to denote 128 different characters. Ten of the characters are decimal digits 0 to 9. As the table shows, the high-order bits have the same pattern,  $b_6b_5b_4 = 011$ , for all 10 digits. Each digit is identified by the low-order four bits,  $b_{3-0}$ , using the binary patterns for these digits. Capital and lowercase letters are encoded in a way that makes sorting of textual information easy. The codes for A to Z are in ascending numerical sequence, which means that the task of sorting letters (or words) can be accomplished by a simple arithmetic comparison of the codes that represent the letters.

In addition to codes that represent characters and letters, the ASCII code includes punctuation marks such as ! and ?, commonly used symbols such as & and %, and a collection of control characters. The control characters are those needed in computer systems to handle and transfer data among various devices. For example, the carriage return character, which is abbreviated as CR in the table, indicates that the carriage, or cursor position, of an output device, such as a printer or display, should return to the left-most column.

The ASCII code is used to encode information that is handled as text. It is not convenient for representation of numbers that are used as operands in arithmetic operations. For this purpose, it is best to convert ASCII-encoded numbers into a binary representation that we discussed before.

The ASCII standard uses seven bits to encode a character. In computer systems a more natural size is eight bits, or one byte. There are two common ways of fitting an ASCII-encoded character into a byte. One is to set the eighth bit,  $b_7$ , to 0. Another is to use this bit to indicate the *parity* of the other seven bits, which means showing whether the number of 1s in the seven-bit code is even or odd. We discuss parity in Chapter 4.

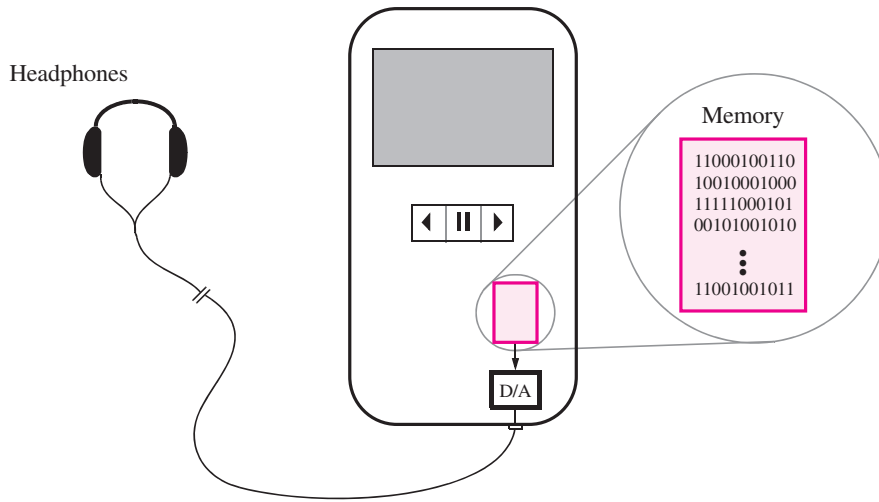
### 1.5.4 DIGITAL AND ANALOG INFORMATION

Binary numbers can be used to represent many types of information. For example, they can represent music that is stored in a personal music player. Figure 1.7 illustrates a music player, which contains an electronic memory for storing music files. A music file comprises a sequence of binary numbers that represent tones. To convert these binary numbers into sound, a *digital-to-analog (D/A) converter* circuit is used. It converts digital values into corresponding voltage levels, which create an analog voltage signal that drives the speakers inside the headphones. The binary values stored in the music player are referred to as *digital* information, whereas the voltage signal that drives the speakers is *analog* information.

---

## 1.6 THEORY AND PRACTICE

Modern design of logic circuits depends heavily on CAD tools, but the discipline of logic design evolved long before CAD tools were invented. This chronology is quite obvious because the very first computers were built with logic circuits, and there certainly were no computers available on which to design them!



**Figure 1.7** Using digital technology to represent music.

Numerous manual design techniques have been developed to deal with logic circuits. Boolean algebra, which we will introduce in Chapter 2, was adopted as a mathematical means for representing such circuits. An enormous amount of “theory” was developed showing how certain design issues may be treated. To be successful, a designer had to apply this knowledge in practice.

CAD tools not only made it possible to design incredibly complex circuits but also made the design work much simpler in general. They perform many tasks automatically, which may suggest that today’s designer need not understand the theoretical concepts used in the tasks performed by CAD tools. An obvious question would then be, Why should one study the theory that is no longer needed for manual design? Why not simply learn how to use the CAD tools?

There are three big reasons for learning the relevant theory. First, although the CAD tools perform the automatic tasks of optimizing a logic circuit to meet particular design objectives, the designer has to give the original description of the logic circuit. If the designer specifies a circuit that has inherently bad properties, then the final circuit will also be of poor quality. Second, the algebraic rules and theorems for design and manipulation of logic circuits are directly implemented in today’s CAD tools. It is not possible for a user of the tools to understand what the tools do without grasping the underlying theory. Third, CAD tools offer many optional processing steps that a user can invoke when working on a design. The designer chooses which options to use by examining the resulting circuit produced by the CAD tools and deciding whether it meets the required objectives. The only way that the designer can know whether or not to apply a particular option in a given situation is to know what the CAD tools will do if that option is invoked—again, this implies that the designer must be familiar with the underlying theory. We discuss the logic circuit theory extensively in this book, because it is not possible to become an effective logic circuit designer without understanding the fundamental concepts.

There is another good reason to learn some logic circuit theory even if it were not required for CAD tools. Simply put, it is interesting and intellectually challenging. In the modern world filled with sophisticated automatic machinery, it is tempting to rely on tools as a substitute for thinking. However, in logic circuit design, as in any type of design process, computer-based tools are not a substitute for human intuition and innovation. Computer-based tools can produce good digital hardware designs only when employed by a designer who thoroughly understands the nature of logic circuits.

---

## PROBLEMS

Answers to problems marked by an asterisk are given at the back of the book.

- \*1.1** Convert the following decimal numbers into binary, using the method shown in Figure 1.6.
- (a)  $(20)_{10}$
  - (b)  $(100)_{10}$
  - (c)  $(129)_{10}$
  - (d)  $(260)_{10}$
  - (e)  $(10240)_{10}$
- 1.2** Convert the following decimal numbers into binary, using the method shown in Figure 1.6.
- (a)  $(30)_{10}$
  - (b)  $(110)_{10}$
  - (c)  $(259)_{10}$
  - (d)  $(500)_{10}$
  - (e)  $(20480)_{10}$
- 1.3** Convert the following decimal numbers into binary, using the method shown in Figure 1.6.
- (a)  $(1000)_{10}$
  - (b)  $(10000)_{10}$
  - (c)  $(100000)_{10}$
  - (c)  $(1000000)_{10}$
- \*1.4** In Figure 1.6 we show how to convert a decimal number into binary by successively dividing by 2. Another way to derive the answer is to construct the number by using powers of 2. For example, if we wish to convert the number  $(23)_{10}$ , then the largest power of 2 that is not larger than 23 is  $2^4 = 16$ . Hence, the binary number will have five bits and the most-significant bit is  $b_4 = 1$ . We then perform the subtraction  $23 - 16 = 7$ . Now, the largest power of 2 that is not larger than 7 is  $2^2 = 4$ . Hence,  $b_3 = 0$  (because  $2^3 = 8$  is larger than 7) and  $b_2 = 1$ . Continuing this process gives

$$\begin{aligned}
 23 &= 16 + 4 + 2 + 1 \\
 &= 2^4 + 2^2 + 2^1 + 2^0 \\
 &= 10000 + 00100 + 00010 + 00001 \\
 &= 10111
 \end{aligned}$$

Using this method, convert the following decimal numbers into binary.

- (a)  $(17)_{10}$
- (b)  $(33)_{10}$
- (c)  $(67)_{10}$
- (d)  $(130)_{10}$
- (e)  $(2560)_{10}$
- (f)  $(51200)_{10}$

**1.5** Repeat Problem 3 using the method described in Problem 4.

**\*1.6** Convert the following binary numbers into decimal.

- (a)  $(1001)_2$
- (b)  $(11100)_2$
- (c)  $(111111)_2$
- (d)  $(101010101010)_2$

**1.7** Convert the following binary numbers into decimal.

- (a)  $(110010)_2$
- (b)  $(1100100)_2$
- (c)  $(11001000)_2$
- (d)  $(110010000)_2$

**\*1.8** What is the minimum number of bits needed to represent the following decimal numbers in binary?

- (a)  $(270)_{10}$
- (b)  $(520)_{10}$
- (c)  $(780)_{10}$
- (d)  $(1029)_{10}$

**1.9** Repeat Problem 8 for the following decimal numbers:

- (a)  $(111)_{10}$
- (b)  $(333)_{10}$
- (c)  $(555)_{10}$
- (d)  $(1111)_{10}$

---

## REFERENCES

1. "International Technology Roadmap for Semiconductors," <http://www.itrs.net>
2. Altera Corporation, "Altera Field Programmable Gate Arrays Product Literature," <http://www.altera.com>
3. Xilinx Corporation, "Xilinx Field Programmable Gate Arrays Product Literature," <http://www.xilinx.com>

*This page intentionally left blank*

---

chapter

# 2

## INTRODUCTION TO LOGIC CIRCUITS

### CHAPTER OBJECTIVES

In this chapter you will be introduced to:

- Logic functions and circuits
- Boolean algebra for dealing with logic functions
- Logic gates and synthesis of simple circuits
- CAD tools and the Verilog hardware description language
- Minimization of functions and Karnaugh maps

The study of logic circuits is motivated mostly by their use in digital computers. But such circuits also form the foundation of many other digital systems, such as those that perform control applications or are involved in digital communications. All such applications are based on some simple logical operations that are performed on input information.

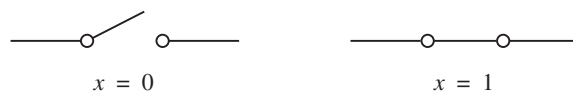
In Chapter 1 we showed that information in computers is represented as electronic signals that can have two discrete values. Although these values are implemented as voltage levels in a circuit, we refer to them simply as logic values, 0 and 1. Any circuit in which the signals are constrained to have only some number of discrete values is called a *logic circuit*. Logic circuits can be designed with different numbers of logic values, such as three, four, or even more, but in this book we deal only with the *binary logic* circuits that have two logic values.

Binary logic circuits have the dominant role in digital technology. We hope to provide the reader with an understanding of how these circuits work, how are they represented in mathematical notation, and how are they designed using modern design automation techniques. We begin by introducing some basic concepts pertinent to the binary logic circuits.

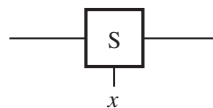
## 2.1 VARIABLES AND FUNCTIONS

The dominance of binary circuits in digital systems is a consequence of their simplicity, which results from constraining the signals to assume only two possible values. The simplest binary element is a switch that has two states. If a given switch is controlled by an input variable  $x$ , then we will say that the switch is open if  $x = 0$  and closed if  $x = 1$ , as illustrated in Figure 2.1a. We will use the graphical symbol in Figure 2.1b to represent such switches in the diagrams that follow. Note that the control input  $x$  is shown explicitly in the symbol. In Appendix B we explain how such switches are implemented with transistors.

Consider a simple application of a switch, where the switch turns a small lightbulb on or off. This action is accomplished with the circuit in Figure 2.2a. A battery provides the power source. The lightbulb glows when a sufficient amount of current passes through it.

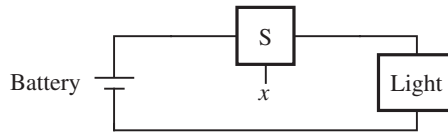


(a) Two states of a switch

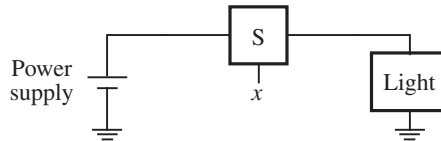


(b) Symbol for a switch

**Figure 2.1** A binary switch.



(a) Simple connection to a battery



(b) Using a ground connection as the return path

**Figure 2.2** A light controlled by a switch.

The current flows when the switch is closed, that is, when  $x = 1$ . In this example the input that causes changes in the behavior of the circuit is the switch control  $x$ . The output is defined as the state (or condition) of the light, which we will denote by the letter  $L$ . If the light is on, we will say that  $L = 1$ . If the light is off, we will say that  $L = 0$ . Using this convention, we can describe the state of the light as a function of the input variable  $x$ . Since  $L = 1$  if  $x = 1$  and  $L = 0$  if  $x = 0$ , we can say that

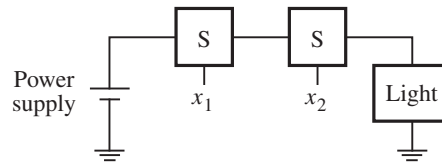
$$L(x) = x$$

This simple *logic expression* describes the output as a function of the input. We say that  $L(x) = x$  is a *logic function* and that  $x$  is an *input variable*.

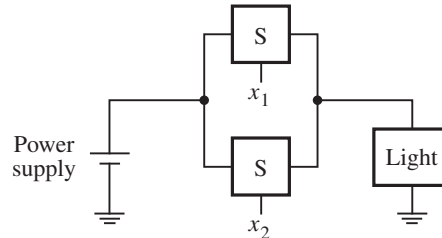
The circuit in Figure 2.2a can be found in an ordinary flashlight, where the switch is a simple mechanical device. In an electronic circuit the switch is implemented as a transistor and the light may be a light-emitting diode (LED). An electronic circuit is powered by a power supply of a certain voltage, usually in the range of 1 to 5 volts. One side of the power supply provides the *circuit ground*, as illustrated in Figure 2.2b. The circuit ground is a common reference point for voltages in the circuit. Rather than drawing wires in a circuit diagram for all nodes that return to the circuit ground, the diagram can be simplified by showing a connection to a ground symbol, as we have done for the bottom terminal of the light  $L$  in the figure. In the circuit diagrams that follow we will use this convention, because it makes the diagrams look simpler.

Consider now the possibility of using two switches to control the state of the light. Let  $x_1$  and  $x_2$  be the control inputs for these switches. The switches can be connected either in series or in parallel as shown in Figure 2.3. Using a series connection, the light will be turned on only if both switches are closed. If either switch is open, the light will be off.





(a) The logical AND function (series connection)



(b) The logical OR function (parallel connection)

**Figure 2.3** Two basic functions.

This behavior can be described by the expression

$$L(x_1, x_2) = x_1 \cdot x_2$$

where  $L = 1$  if  $x_1 = 1$  and  $x_2 = 1$ ,

$L = 0$  otherwise.

The “ $\cdot$ ” symbol is called the *AND operator*, and the circuit in Figure 2.3a is said to implement a *logical AND function*.

The parallel connection of two switches is given in Figure 2.3b. In this case the light will be on if either the  $x_1$  or  $x_2$  switch is closed. The light will also be on if both switches are closed. The light will be off only if both switches are open. This behavior can be stated as

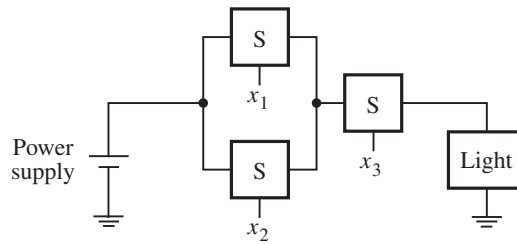
$$L(x_1, x_2) = x_1 + x_2$$

where  $L = 1$  if  $x_1 = 1$  or  $x_2 = 1$  or if  $x_1 = x_2 = 1$ ,

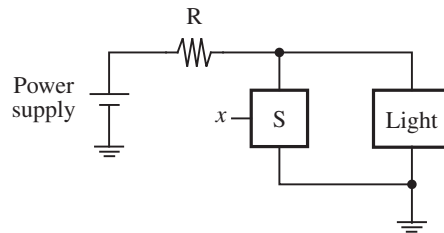
$L = 0$  if  $x_1 = x_2 = 0$ .

The  $+$  symbol is called the *OR operator*, and the circuit in Figure 2.3b is said to implement a *logical OR function*. It is important not to confuse the use of the  $+$  symbol with its more common meaning, which is for arithmetic addition. In this chapter the  $+$  symbol represents the logical OR operation unless otherwise stated.

In the above expressions for AND and OR, the output  $L(x_1, x_2)$  is a logic function with input variables  $x_1$  and  $x_2$ . The AND and OR functions are two of the most important logic functions. Together with some other simple functions, they can be used as building blocks for the implementation of all logic circuits. Figure 2.4 illustrates how three switches can be



**Figure 2.4** A series-parallel connection.



**Figure 2.5** An inverting circuit.

used to control the light in a more complex way. This series-parallel connection of switches realizes the logic function

$$L(x_1, x_2, x_3) = (x_1 + x_2) \cdot x_3$$

The light is on if  $x_3 = 1$  and, at the same time, at least one of the  $x_1$  or  $x_2$  inputs is equal to 1.

---

## 2.2 INVERSION

So far we have assumed that some positive action takes place when a switch is closed, such as turning the light on. It is equally interesting and useful to consider the possibility that a positive action takes place when a switch is opened. Suppose that we connect the light as shown in Figure 2.5. In this case the switch is connected in parallel with the light, rather than in series. Consequently, a closed switch will short-circuit the light and prevent the current from flowing through it. Note that we have included an extra resistor in this circuit to ensure that the closed switch does not short-circuit the power supply. The light will be turned on when the switch is opened. Formally, we express this functional behavior as

$$L(x) = \bar{x}$$

where  $L = 1$  if  $x = 0$ ,  
 $L = 0$  if  $x = 1$

The value of this function is the inverse of the value of the input variable. Instead of using the word *inverse*, it is more common to use the term *complement*. Thus we say that  $L(x)$  is a complement of  $x$  in this example. Another frequently used term for the same operation is the *NOT operation*. There are several commonly used notations for indicating the complementation. In the preceding expression we placed an overbar on top of  $x$ . This notation is probably the best from the visual point of view. However, when complements are needed in expressions that are typed using a computer keyboard, which is often done when using CAD tools, it is impractical to use overbars. Instead, either an apostrophe is placed after the variable, or an exclamation mark (!), the tilde character ( $\sim$ ), or the word NOT is placed in front of the variable to denote the complementation. Thus the following are equivalent:

$$\bar{x} = x' = !x = \sim x = \text{NOT } x$$

The complement operation can be applied to a single variable or to more complex operations. For example, if

$$f(x_1, x_2) = x_1 + x_2$$

then the complement of  $f$  is

$$\bar{f}(x_1, x_2) = \overline{x_1 + x_2}$$

This expression yields the logic value 1 only when neither  $x_1$  nor  $x_2$  is equal to 1, that is, when  $x_1 = x_2 = 0$ . Again, the following notations are equivalent:

$$\overline{x_1 + x_2} = (x_1 + x_2)' = !(x_1 + x_2) = \sim(x_1 + x_2) = \text{NOT } (x_1 + x_2)$$

## 2.3 TRUTH TABLES

We have introduced the three most basic logic operations—AND, OR, and complement—by relating them to simple circuits built with switches. This approach gives these operations a certain “physical meaning.” The same operations can also be defined in the form of a table, called a *truth table*, as shown in Figure 2.6. The first two columns (to the left of the double vertical line) give all four possible combinations of logic values that the variables  $x_1$  and  $x_2$

$x_1$	$x_2$	$x_1 \cdot x_2$	$x_1 + x_2$
0	0	0	0
0	1	0	1
1	0	0	1
1	1	1	1

AND      OR

**Figure 2.6** A truth table for the AND and OR operations.

$x_1$	$x_2$	$x_3$	$x_1 \cdot x_2 \cdot x_3$	$x_1 + x_2 + x_3$
0	0	0	0	0
0	0	1	0	1
0	1	0	0	1
0	1	1	0	1
1	0	0	0	1
1	0	1	0	1
1	1	0	0	1
1	1	1	1	1

**Figure 2.7** Three-input AND and OR operations.

can have. The next column defines the AND operation for each combination of values of  $x_1$  and  $x_2$ , and the last column defines the OR operation. Because we will frequently need to refer to “combinations of logic values” applied to some variables, we will adopt a shorter term, *valuation*, to denote such a combination of logic values.

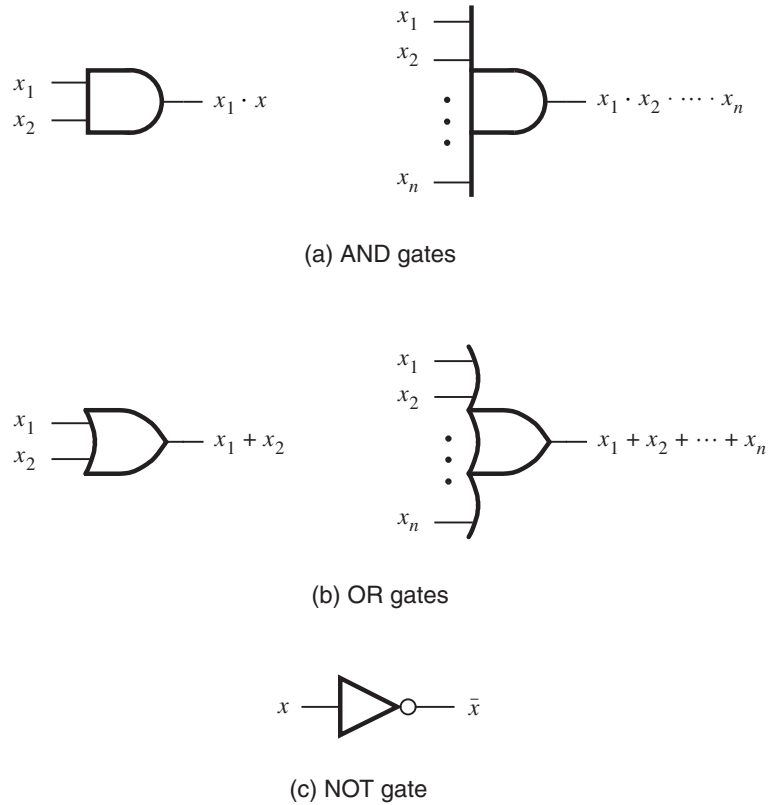
The truth table is a useful aid for depicting information involving logic functions. We will use it in this book to define specific functions and to show the validity of certain functional relations. Small truth tables are easy to deal with. However, they grow exponentially in size with the number of variables. A truth table for three input variables has eight rows because there are eight possible valuations of these variables. Such a table is given in Figure 2.7, which defines three-input AND and OR functions. For four input variables the truth table has 16 rows, and so on. In general, for  $n$  input variables the truth table has  $2^n$  rows.

The AND and OR operations can be extended to  $n$  variables. An AND function of variables  $x_1, x_2, \dots, x_n$  has the value 1 only if all  $n$  variables are equal to 1. An OR function of variables  $x_1, x_2, \dots, x_n$  has the value 1 if one or more of the variables is equal to 1.

---

## 2.4 LOGIC GATES AND NETWORKS

The three basic logic operations introduced in the previous sections can be used to implement logic functions of any complexity. A complex function may require many of these basic operations for its implementation. Each logic operation can be implemented electronically with transistors, resulting in a circuit element called a *logic gate*. A logic gate has one or more inputs and one output that is a function of its inputs. It is often convenient to describe a logic circuit by drawing a circuit diagram, or *schematic*, consisting of graphical symbols representing the logic gates. The graphical symbols for the AND, OR, and NOT gates are shown in Figure 2.8. The figure indicates on the left side how the AND and OR gates are drawn when there are only a few inputs. On the right side it shows how the symbols are



**Figure 2.8** The basic gates.



**Figure 2.9** The function from Figure 2.4.

augmented to accommodate a greater number of inputs. We show how logic gates are built using transistors in Appendix B.

A larger circuit is implemented by a *network* of gates. For example, the logic function from Figure 2.4 can be implemented by the network in Figure 2.9. The complexity of a given network has a direct impact on its cost. Because it is always desirable to reduce the cost of any manufactured product, it is important to find ways for implementing logic circuits as inexpensively as possible. We will see shortly that a given logic function can

be implemented with a number of different networks. Some of these networks are simpler than others, hence searching for the solutions that entail minimum cost is prudent.

In technical jargon a network of gates is often called a *logic network* or simply a *logic circuit*. We will use these terms interchangeably.

### 2.4.1 ANALYSIS OF A LOGIC NETWORK

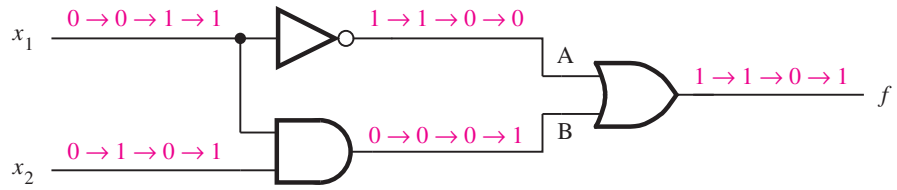
A designer of digital systems is faced with two basic issues. For an existing logic network, it must be possible to determine the function performed by the network. This task is referred to as the *analysis* process. The reverse task of designing a new network that implements a desired functional behavior is referred to as the *synthesis* process. The analysis process is rather straightforward and much simpler than the synthesis process.

Figure 2.10a shows a simple network consisting of three gates. To analyze its functional behavior, we can consider what happens if we apply all possible combinations of the input signals to it. Suppose that we start by making  $x_1 = x_2 = 0$ . This forces the output of the NOT gate to be equal to 1 and the output of the AND gate to be 0. Because one of the inputs to the OR gate is 1, the output of this gate will be 1. Therefore,  $f = 1$  if  $x_1 = x_2 = 0$ . If we then let  $x_1 = 0$  and  $x_2 = 1$ , no change in the value of  $f$  will take place, because the outputs of the NOT and AND gates will still be 1 and 0, respectively. Next, if we apply  $x_1 = 1$  and  $x_2 = 0$ , then the output of the NOT gate changes to 0 while the output of the AND gate remains at 0. Both inputs to the OR gate are then equal to 0; hence the value of  $f$  will be 0. Finally, let  $x_1 = x_2 = 1$ . Then the output of the AND gate goes to 1, which in turn causes  $f$  to be equal to 1. Our verbal explanation can be summarized in the form of the truth table shown in Figure 2.10b.

#### Timing Diagram

We have determined the behavior of the network in Figure 2.10a by considering the four possible valuations of the inputs  $x_1$  and  $x_2$ . Suppose that the signals that correspond to these valuations are applied to the network in the order of our discussion; that is,  $(x_1, x_2) = (0, 0)$  followed by  $(0, 1)$ ,  $(1, 0)$ , and  $(1, 1)$ . Then changes in the signals at various points in the network would be as indicated in blue in the figure. The same information can be presented in graphical form, known as a *timing diagram*, as shown in Figure 2.10c. The time runs from left to right, and each input valuation is held for some fixed duration. The figure shows the waveforms for the inputs and output of the network, as well as for the internal signals at the points labeled *A* and *B*.

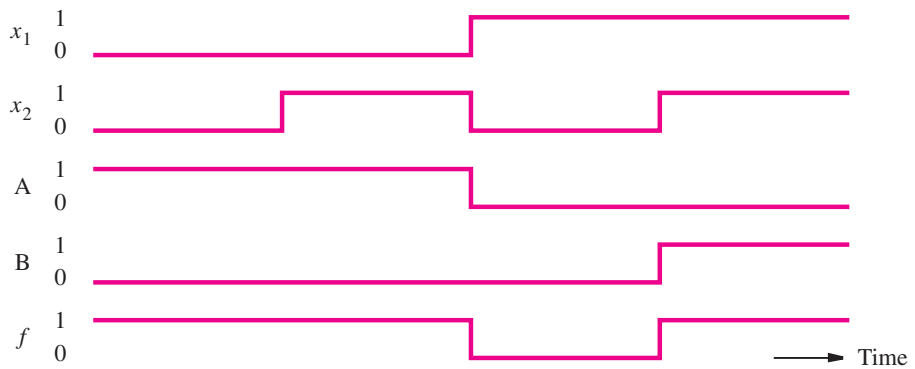
The timing diagram in Figure 2.10c shows that changes in the waveforms at points *A* and *B* and the output  $f$  take place instantaneously when the inputs  $x_1$  and  $x_2$  change their values. These idealized waveforms are based on the assumption that logic gates respond to changes on their inputs in zero time. Such timing diagrams are useful for indicating the *functional behavior* of logic circuits. However, practical logic gates are implemented using electronic circuits which need some time to change their states. Thus, there is a delay between a change in input values and a corresponding change in the output value of a gate. In chapters that follow we will use timing diagrams that incorporate such delays.



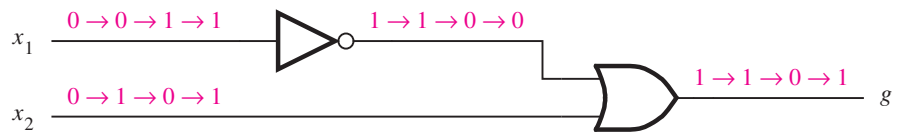
(a) Network that implements  $f = \bar{x}_1 + x_1 \cdot x_2$

$x_1$	$x_2$	$f(x_1, x_2)$	A	B
0	0	1	1	0
0	1	1	1	0
1	0	0	0	0
1	1	1	0	1

(b) Truth table



(c) Timing diagram



(d) Network that implements  $g = \bar{x}_1 + x_2$

**Figure 2.10** An example of logic networks.

Timing diagrams are used for many purposes. They depict the behavior of a logic circuit in a form that can be observed when the circuit is tested using instruments such as logic analyzers and oscilloscopes. Also, they are often generated by CAD tools to show the designer how a given circuit is expected to behave before it is actually implemented electronically. We will introduce the CAD tools later in this chapter and will make use of them throughout the book.

### Functionally Equivalent Networks

Now consider the network in Figure 2.10*d*. Going through the same analysis procedure, we find that the output  $g$  changes in exactly the same way as  $f$  does in part (a) of the figure. Therefore,  $g(x_1, x_2) = f(x_1, x_2)$ , which indicates that the two networks are functionally equivalent; the output behavior of both networks is represented by the truth table in Figure 2.10*b*. Since both networks realize the same function, it makes sense to use the simpler one, which is less costly to implement.

In general, a logic function can be implemented with a variety of different networks, probably having different costs. This raises an important question: How does one find the best implementation for a given function? We will discuss some of the main approaches for synthesizing logic functions later in this chapter. For now, we should note that some manipulation is needed to transform the more complex network in Figure 2.10*a* into the network in Figure 2.10*d*. Since  $f(x_1, x_2) = \bar{x}_1 + x_1 \cdot x_2$  and  $g(x_1, x_2) = \bar{x}_1 + x_2$ , there must exist some rules that can be used to show the equivalence

$$\bar{x}_1 + x_1 \cdot x_2 = \bar{x}_1 + x_2$$

We have already established this equivalence through detailed analysis of the two circuits and construction of the truth table. But the same outcome can be achieved through algebraic manipulation of logic expressions. In Section 2.5 we will introduce a mathematical approach for dealing with logic functions, which provides the basis for modern design techniques.

---

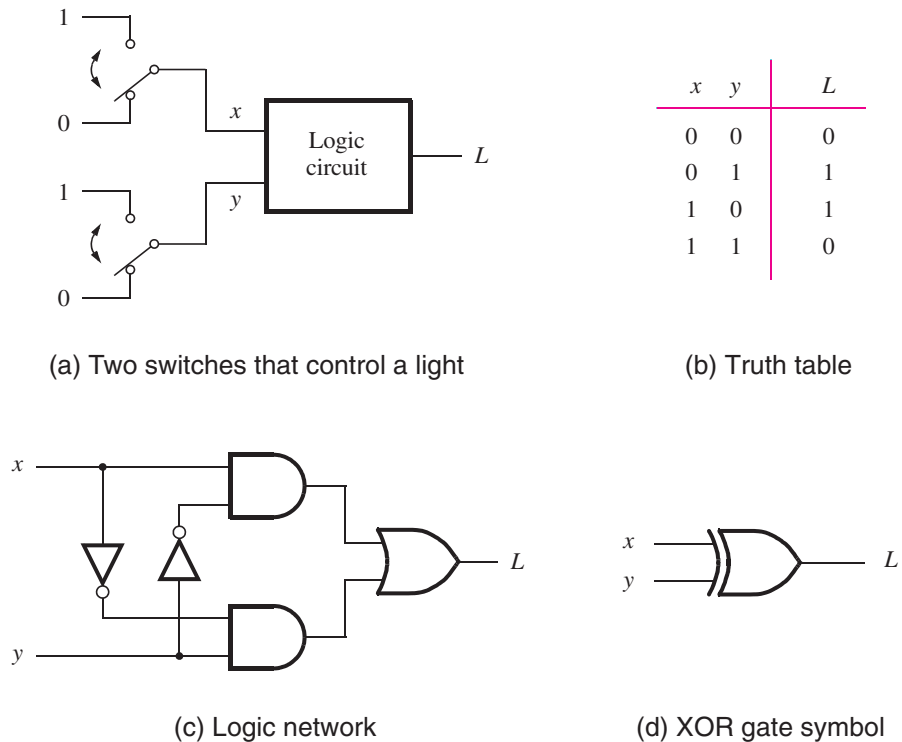
**As** an example of a logic function, consider the diagram in Figure 2.11*a*. It includes two toggle switches that control the values of signals  $x$  and  $y$ . Each toggle switch can be pushed down to the bottom position or up to the top position. When a toggle switch is in the bottom position it makes a connection to logic value 0 (ground), and when in the top position it connects to logic value 1 (power supply level). Thus, these toggle switches can be used to set  $x$  and  $y$  to either 0 or 1.

### Example 2.1

The signals  $x$  and  $y$  are inputs to a logic circuit that controls a light  $L$ . The required behavior is that the light should be on only if one, but not both, of the toggle switches is in the top position. This specification leads to the truth table in part (b) of the figure. Since  $L = 1$  when  $x = 0$  and  $y = 1$  or when  $x = 1$  and  $y = 0$ , we can implement this logic function using the network in Figure 2.11*c*.

The reader may recognize the behavior of our light as being similar to that over a set of stairs in a house, where the light is controlled by two switches: one at the top of the stairs, and the other at the bottom. The light can be turned on or off by either switch because





**Figure 2.11** An example of a logic circuit.

it follows the truth table in Figure 2.11b. This logic function, which differs from the OR function only when both inputs are equal to 1, is useful for other applications as well. It is called the *exclusive-OR (XOR)* function and is indicated in logic expressions by the symbol  $\oplus$ . Thus, rather than writing  $L = \bar{x} \cdot y + x \cdot \bar{y}$ , we can write  $L = x \oplus y$ . The XOR function has the logic-gate symbol illustrated in Figure 2.11d.

**Example 2.2** In Chapter 1 we showed how numbers are represented in computers by using binary digits. As another example of logic functions, consider the addition of two one-digit binary numbers  $a$  and  $b$ . The four possible valuations of  $a$ ,  $b$  and the resulting sums are given in Figure 2.12a (in this figure the  $+$  operator signifies *addition*). The sum  $S = s_1s_0$  has to be a two-digit binary number, because when  $a = b = 1$  then  $S = 10$ .

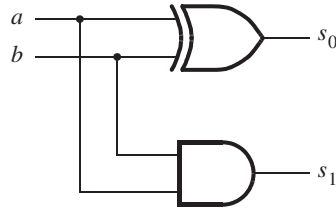
Figure 2.12b gives a truth table for the logic functions  $s_1$  and  $s_0$ . From this table we can see that  $s_1 = a \cdot b$  and  $s_0 = a \oplus b$ . The corresponding logic network is given in part (c) of the figure. This type of logic circuit, which adds binary numbers, is referred to as an *adder* circuit. We discuss circuits of this type in Chapter 3.

$a$	$0$	$0$	$1$	$1$
$+b$	$+0$	$+1$	$+0$	$+1$
$s_1 s_0$	$00$	$01$	$01$	$10$

(a) Evaluation of  $S = a + b$ 

$a$	$b$	$s_1$	$s_0$
0	0	0	0
0	1	0	1
1	0	0	1
1	1	1	0

(b) Truth table



(c) Logic network

**Figure 2.12** Addition of binary numbers.

## 2.5 BOOLEAN ALGEBRA

In 1849 George Boole published a scheme for the algebraic description of processes involved in logical thought and reasoning [1]. Subsequently, this scheme and its further refinements became known as *Boolean algebra*. It was almost 100 years later that this algebra found application in the engineering sense. In the late 1930s Claude Shannon showed that Boolean algebra provides an effective means of describing circuits built with switches [2]. The algebra can, therefore, be used to describe logic circuits. We will show that this algebra is a powerful tool that can be used for designing and analyzing logic circuits. The reader will come to appreciate that it provides the foundation for much of our modern digital technology.

### Axioms of Boolean Algebra

Like any algebra, Boolean algebra is based on a set of rules that are derived from a small number of basic assumptions. These assumptions are called *axioms*. Let us assume that Boolean algebra involves elements that take on one of two values, 0 and 1. Assume that the following axioms are true:

- 1a.  $0 \cdot 0 = 0$
- 1b.  $1 + 1 = 1$
- 2a.  $1 \cdot 1 = 1$

$$2b. \quad 0 + 0 = 0$$

$$3a. \quad 0 \cdot 1 = 1 \cdot 0 = 0$$

$$3b. \quad 1 + 0 = 0 + 1 = 1$$

$$4a. \quad \text{If } x = 0, \text{ then } \bar{x} = 1$$

$$4b. \quad \text{If } x = 1, \text{ then } \bar{x} = 0$$

### Single-Variable Theorems

From the axioms we can define some rules for dealing with single variables. These rules are often called *theorems*. If  $x$  is a Boolean variable, then the following theorems hold:

$$5a. \quad x \cdot 0 = 0$$

$$5b. \quad x + 1 = 1$$

$$6a. \quad x \cdot 1 = x$$

$$6b. \quad x + 0 = x$$

$$7a. \quad x \cdot x = x$$

$$7b. \quad x + x = x$$

$$8a. \quad x \cdot \bar{x} = 0$$

$$8b. \quad x + \bar{x} = 1$$

$$9. \quad \bar{\bar{x}} = x$$

It is easy to prove the validity of these theorems by perfect induction, that is, by substituting the values  $x = 0$  and  $x = 1$  into the expressions and using the axioms given above. For example, in theorem 5a, if  $x = 0$ , then the theorem states that  $0 \cdot 0 = 0$ , which is true according to axiom 1a. Similarly, if  $x = 1$ , then theorem 5a states that  $1 \cdot 0 = 0$ , which is also true according to axiom 3a. The reader should verify that theorems 5a to 9 can be proven in this way.

### Duality

Notice that we have listed the axioms and the single-variable theorems in pairs. This is done to reflect the important *principle of duality*. Given a logic expression, its *dual* is obtained by replacing all  $+$  operators with  $\cdot$  operators, and vice versa, and by replacing all 0s with 1s, and vice versa. The dual of any true statement (axiom or theorem) in Boolean algebra is also a true statement. At this point in the discussion, the reader might not appreciate why duality is a useful concept. However, this concept will become clear later in the chapter, when we will show that duality implies that at least two different ways exist to express every logic function with Boolean algebra. Often, one expression leads to a simpler physical implementation than the other and is thus preferable.

### Two- and Three-Variable Properties

To enable us to deal with a number of variables, it is useful to define some two- and three-variable algebraic identities. For each identity, its dual version is also given. These identities are often referred to as *properties*. They are known by the names indicated below. If  $x$ ,  $y$ , and  $z$  are Boolean variables, then the following properties hold:

- 10a.  $x \cdot y = y \cdot x$  *Commutative*
- 10b.  $x + y = y + x$
- 11a.  $x \cdot (y \cdot z) = (x \cdot y) \cdot z$  *Associative*
- 11b.  $x + (y + z) = (x + y) + z$
- 12a.  $x \cdot (y + z) = x \cdot y + x \cdot z$  *Distributive*
- 12b.  $x + y \cdot z = (x + y) \cdot (x + z)$
- 13a.  $x + x \cdot y = x$  *Absorption*
- 13b.  $x \cdot (x + y) = x$
- 14a.  $x \cdot y + x \cdot \bar{y} = x$  *Combining*
- 14b.  $(x + y) \cdot (x + \bar{y}) = x$
- 15a.  $\overline{x \cdot y} = \bar{x} + \bar{y}$  *DeMorgan's theorem*
- 15b.  $\overline{x + y} = \bar{x} \cdot \bar{y}$
- 16a.  $x + \bar{x} \cdot y = x + y$
- 16b.  $x \cdot (\bar{x} + y) = x \cdot y$
- 17a.  $x \cdot y + y \cdot z + \bar{x} \cdot z = x \cdot y + \bar{x} \cdot z$  *Consensus*
- 17b.  $(x + y) \cdot (y + z) \cdot (\bar{x} + z) = (x + y) \cdot (\bar{x} + z)$

Again, we can prove the validity of these properties either by perfect induction or by performing algebraic manipulation. Figure 2.13 illustrates how perfect induction can be used to prove DeMorgan's theorem, using the format of a truth table. The evaluation of left-hand and right-hand sides of the identity in 15a gives the same result.

We have listed a number of axioms, theorems, and properties. Not all of these are necessary to define Boolean algebra. For example, assuming that the  $+$  and  $\cdot$  operations are defined, it is sufficient to include theorems 5 and 8 and properties 10 and 12. These are sometimes referred to as Huntington's basic postulates [3]. The other identities can be derived from these postulates.

The preceding axioms, theorems, and properties provide the information necessary for performing algebraic manipulation of more complex expressions.

$x$	$y$	$x \cdot y$	$\overline{x \cdot y}$	$\bar{x}$	$\bar{y}$	$\bar{x} + \bar{y}$
0	0	0	1	1	1	1
0	1	0	1	1	0	1
1	0	0	1	0	1	1
1	1	1	0	0	0	0

LHS
RHS

**Figure 2.13** Proof of DeMorgan's theorem in 15a.

**Example 2.3** Let us prove the validity of the logic equation

$$(x_1 + x_3) \cdot (\bar{x}_1 + \bar{x}_3) = x_1 \cdot \bar{x}_3 + \bar{x}_1 \cdot x_3$$

The left-hand side can be manipulated as follows. Using the distributive property, 12a, gives

$$\text{LHS} = (x_1 + x_3) \cdot \bar{x}_1 + (x_1 + x_3) \cdot \bar{x}_3$$

Applying the distributive property again yields

$$\text{LHS} = x_1 \cdot \bar{x}_1 + x_3 \cdot \bar{x}_1 + x_1 \cdot \bar{x}_3 + x_3 \cdot \bar{x}_3$$

Note that the distributive property allows ANDing the terms in parenthesis in a way analogous to multiplication in ordinary algebra. Next, according to theorem 8a, the terms  $x_1 \cdot \bar{x}_1$  and  $x_3 \cdot \bar{x}_3$  are both equal to 0. Therefore,

$$\text{LHS} = 0 + x_3 \cdot \bar{x}_1 + x_1 \cdot \bar{x}_3 + 0$$

From 6b it follows that

$$\text{LHS} = x_3 \cdot \bar{x}_1 + x_1 \cdot \bar{x}_3$$

Finally, using the commutative property, 10a and 10b, this becomes

$$\text{LHS} = x_1 \cdot \bar{x}_3 + \bar{x}_1 \cdot x_3$$

which is the same as the right-hand side of the initial equation.

**Example 2.4** Consider the logic equation

$$x_1 \cdot \bar{x}_3 + \bar{x}_2 \cdot \bar{x}_3 + x_1 \cdot x_3 + \bar{x}_2 \cdot x_3 = \bar{x}_1 \cdot \bar{x}_2 + x_1 \cdot x_2 + x_1 \cdot \bar{x}_2$$

The left-hand side can be manipulated as follows

$$\begin{aligned} \text{LHS} &= x_1 \cdot \bar{x}_3 + x_1 \cdot x_3 + \bar{x}_2 \cdot \bar{x}_3 + \bar{x}_2 \cdot x_3 && \text{using } 10b \\ &= x_1 \cdot (\bar{x}_3 + x_3) + \bar{x}_2 \cdot (\bar{x}_3 + x_3) && \text{using } 12a \\ &= x_1 \cdot 1 + \bar{x}_2 \cdot 1 && \text{using } 8b \\ &= x_1 + \bar{x}_2 && \text{using } 6a \end{aligned}$$

The right-hand side can be manipulated as

$$\begin{aligned} \text{RHS} &= \bar{x}_1 \cdot \bar{x}_2 + x_1 \cdot (x_2 + \bar{x}_2) && \text{using } 12a \\ &= \bar{x}_1 \cdot \bar{x}_2 + x_1 \cdot 1 && \text{using } 8b \\ &= \bar{x}_1 \cdot \bar{x}_2 + x_1 && \text{using } 6a \\ &= x_1 + \bar{x}_1 \cdot \bar{x}_2 && \text{using } 10b \\ &= x_1 + \bar{x}_2 && \text{using } 16a \end{aligned}$$

Being able to manipulate both sides of the initial equation into identical expressions establishes the validity of the equation. Note that the same logic function is represented by either the left- or the right-hand side of the above equation; namely

$$\begin{aligned} f(x_1, x_2, x_3) &= x_1 \cdot \bar{x}_3 + \bar{x}_2 \cdot \bar{x}_3 + x_1 \cdot x_3 + \bar{x}_2 \cdot x_3 \\ &= \bar{x}_1 \cdot \bar{x}_2 + x_1 \cdot x_2 + x_1 \cdot \bar{x}_2 \end{aligned}$$

As a result of manipulation, we have found a much simpler expression

$$f(x_1, x_2, x_3) = x_1 + \bar{x}_2$$

which also represents the same function. This simpler expression would result in a lower-cost logic circuit that could be used to implement the function.

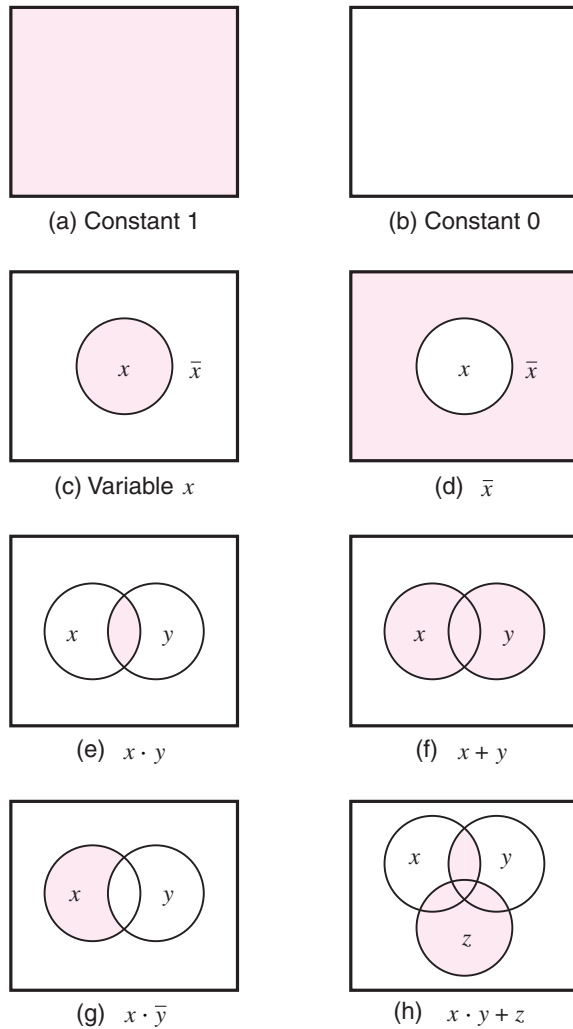
Examples 2.3 and 2.4 illustrate the purpose of the axioms, theorems, and properties as a mechanism for algebraic manipulation. Even these simple examples suggest that it is impractical to deal with highly complex expressions in this way. However, these theorems and properties provide the basis for automating the synthesis of logic functions in CAD tools. To understand what can be achieved using these tools, the designer needs to be aware of the fundamental concepts.

### 2.5.1 THE VENN DIAGRAM

We have suggested that perfect induction can be used to verify the theorems and properties. This procedure is quite tedious and not very informative from the conceptual point of view. A simple visual aid that can be used for this purpose also exists. It is called the Venn diagram, and the reader is likely to find that it provides for a more intuitive understanding of how two expressions may be equivalent.

The Venn diagram has traditionally been used in mathematics to provide a graphical illustration of various operations and relations in the algebra of sets. A set  $s$  is a collection of elements that are said to be the members of  $s$ . In the Venn diagram the elements of a set are represented by the area enclosed by a contour such as a square, a circle, or an ellipse. For example, in a universe  $N$  of integers from 1 to 10, the set of even numbers is  $E = \{2, 4, 6, 8, 10\}$ . A contour representing  $E$  encloses the even numbers. The odd numbers form the complement of  $E$ ; hence the area outside the contour represents  $\bar{E} = \{1, 3, 5, 7, 9\}$ .

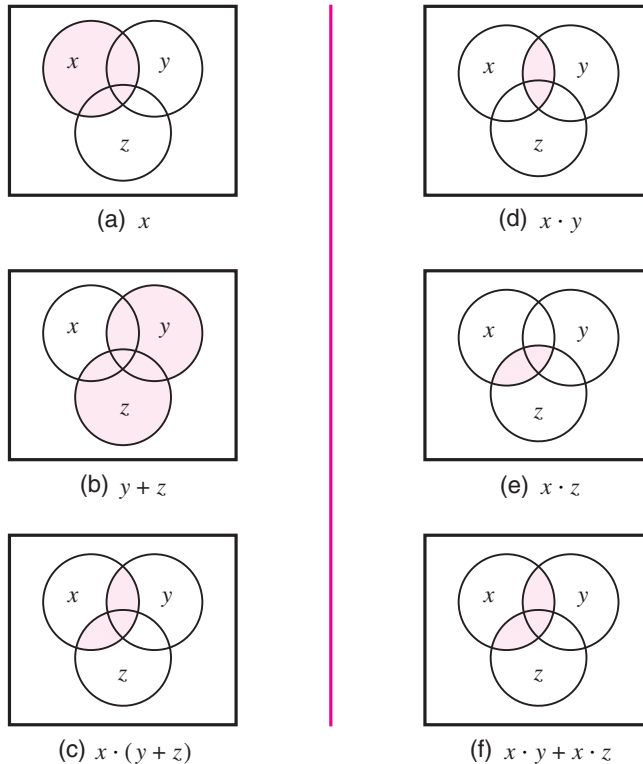
Since in Boolean algebra there are only two values (elements) in the universe,  $B = \{0, 1\}$ , we will say that the area within a contour corresponding to a set  $s$  denotes that  $s = 1$ , while the area outside the contour denotes  $s = 0$ . In the diagram we will shade the area where  $s = 1$ . The concept of the Venn diagram is illustrated in Figure 2.14. The universe  $B$  is represented by a square. Then the constants 1 and 0 are represented as shown in parts (a) and (b) of the figure. A variable, say,  $x$ , is represented by a circle, such that the area inside the circle corresponds to  $x = 1$ , while the area outside the circle corresponds to  $x = 0$ . This is illustrated in part (c). An expression involving one or more variables is depicted by



**Figure 2.14** The Venn diagram representation.

shading the area where the value of the expression is equal to 1. Part (d) indicates how the complement of  $x$  is represented.

To represent two variables,  $x$  and  $y$ , we draw two overlapping circles. Then the area where the circles overlap represents the case where  $x = y = 1$ , namely, the AND of  $x$  and  $y$ , as shown in part (e). Since this common area consists of the intersecting portions of  $x$  and  $y$ , the AND operation is often referred to formally as the *intersection* of  $x$  and  $y$ . Part (f) illustrates the OR operation, where  $x + y$  represents the total area within both circles,



**Figure 2.15** Verification of the distributive property  $x \cdot (y + z) = x \cdot y + x \cdot z$ .

namely, where at least one of  $x$  or  $y$  is equal to 1. Since this combines the areas in the circles, the OR operation is formally often called the *union* of  $x$  and  $y$ .

Part (g) depicts the term  $x \cdot \bar{y}$ , which is represented by the intersection of the area for  $x$  with that for  $\bar{y}$ . Part (h) gives a three-variable example; the expression  $x \cdot y + z$  is the union of the area for  $z$  with that of the intersection of  $x$  and  $y$ .

To see how we can use Venn diagrams to verify the equivalence of two expressions, let us demonstrate the validity of the distributive property, 12a, in Section 2.5. Figure 2.15 gives the construction of the left and right sides of the identity that defines the property

$$x \cdot (y + z) = x \cdot y + x \cdot z$$

Part (a) shows the area where  $x = 1$ . Part (b) indicates the area for  $y + z$ . Part (c) gives the diagram for  $x \cdot (y + z)$ , the intersection of shaded areas in parts (a) and (b). The right-hand side is constructed in parts (d), (e), and (f). Parts (d) and (e) describe the terms  $x \cdot y$  and  $x \cdot z$ , respectively. The union of the shaded areas in these two diagrams then corresponds to the expression  $x \cdot y + x \cdot z$ , as seen in part (f). Since the shaded areas in parts (c) and (f) are identical, it follows that the distributive property is valid.

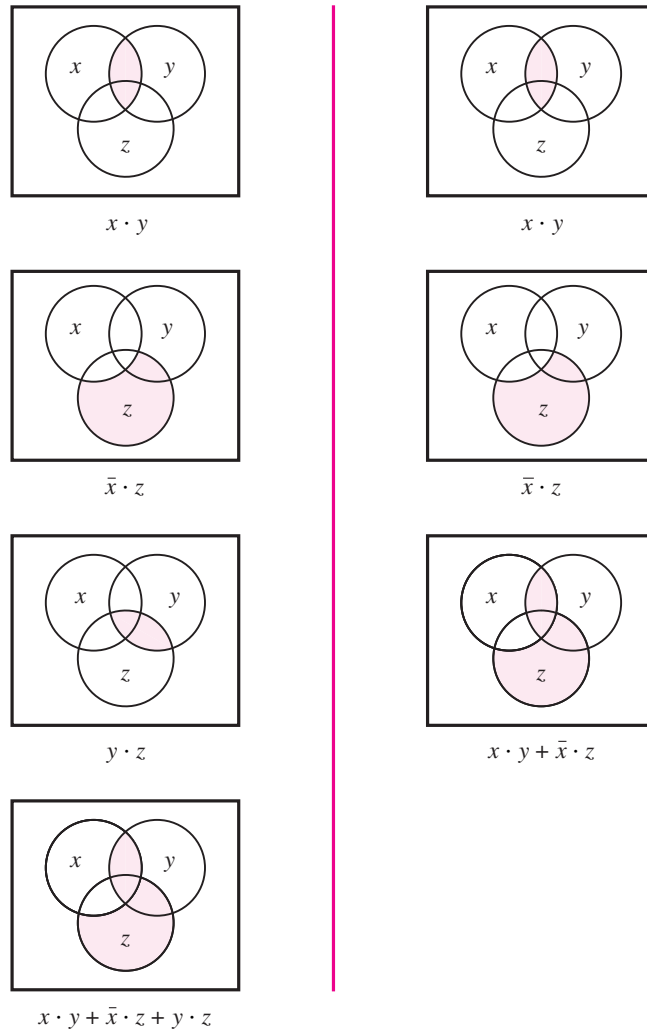


As another example, consider the identity

$$x \cdot y + \bar{x} \cdot z + y \cdot z = x \cdot y + \bar{x} \cdot z$$

which is illustrated in Figure 2.16. Notice that this identity states that the term  $y \cdot z$  is fully covered by the terms  $x \cdot y$  and  $\bar{x} \cdot z$ ; therefore, this term can be omitted. This identity, which we listed earlier as property 17a, is often referred to as *consensus*.

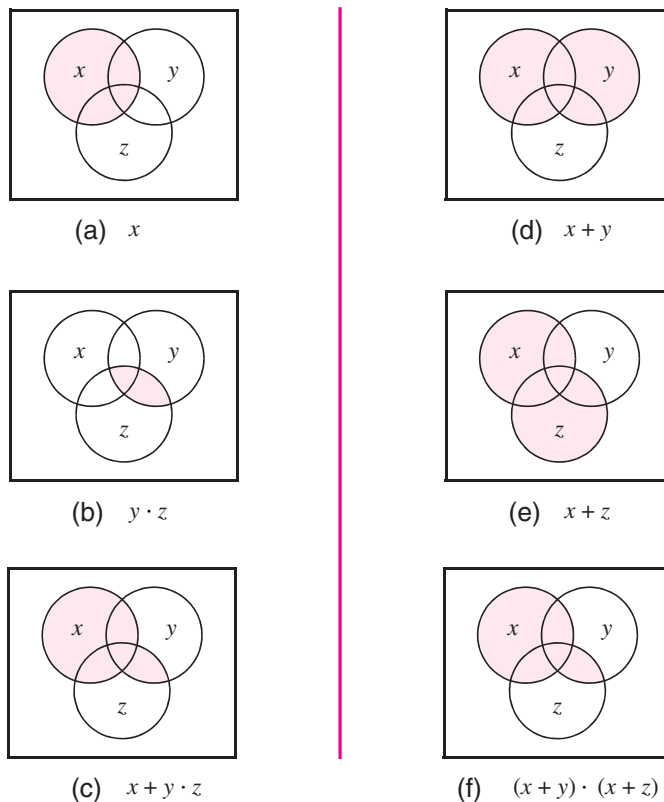
The reader should use the Venn diagram to prove some other identities. The examples below prove the distributive property 12b, and DeMorgan's theorem, 15a.



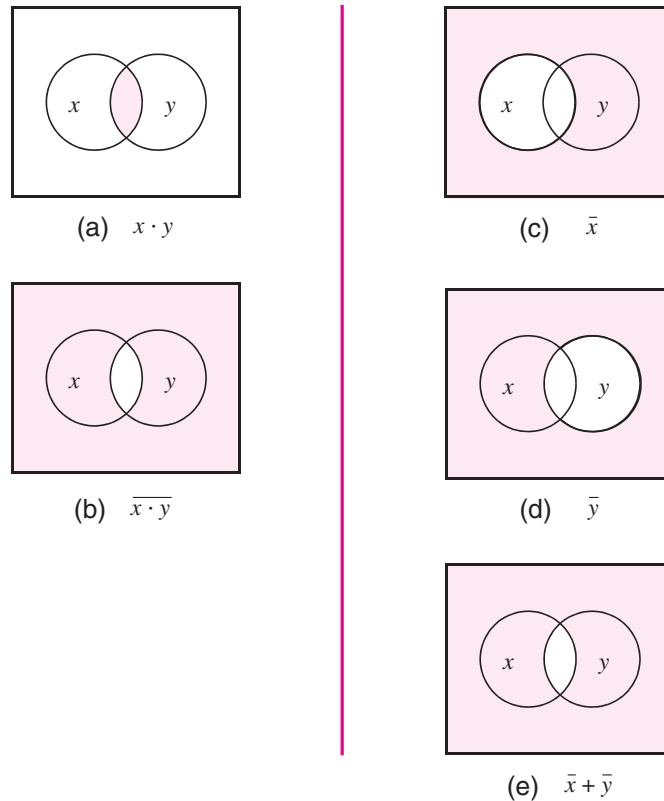
**Figure 2.16** Verification of  $x \cdot y + \bar{x} \cdot z + y \cdot z = x \cdot y + \bar{x} \cdot z$ .

The distributive property 12a in Figure 2.15 will look familiar to the reader, because it is valid both for Boolean variables and for variables that are real numbers. In the case of real-number variables, the operations involved would be multiplication and addition, rather than logical AND and OR. However, the dual form 12b of this property,  $x + y \cdot z = (x + y) \cdot (x + z)$ , does not hold for real-number variables involving multiplication and addition operations. To prove that this identity is valid in Boolean algebra we can use the Venn diagrams in Figure 2.17. Parts (a) and (b) of the figure depict the terms  $x$  and  $y \cdot z$ , respectively, and part (c) gives the union of parts (a) and (b). Parts (d) and (e) depict the sum terms  $(x + y)$  and  $(x + z)$ , and part (f) shows the intersection of (d) and (e). Since the diagrams in (c) and (f) are the same, this proves the identity.

**Example 2.5**



**Figure 2.17** Proof of the distributive property 12b.



**Figure 2.18** Proof of DeMorgan's theorem 15a.

---

**Example 2.6** A proof of DeMorgan's theorem 15a by using Venn diagrams is illustrated in Figure 2.18. The diagram in part (b) of the figure, which is the complement of  $x \cdot y$ , is the same as the diagram in part (e), which is the union of part (c) with part (d), thus proving the theorem. We leave it as an exercise for the reader to prove the dual form of DeMorgan's theorem, 15b.

---

## 2.5.2 NOTATION AND TERMINOLOGY

Boolean algebra is based on the AND and OR operations, for which we have adopted the symbols  $\cdot$  and  $+$ , respectively. These are also the standard symbols for the familiar arithmetic multiplication and addition operations. Considerable similarity exists between the Boolean operations and the arithmetic operations, which is the main reason why the

same symbols are used. In fact, when single digits are involved there is only one significant difference; the result of  $1 + 1$  is equal to 2 in ordinary arithmetic, whereas it is equal to 1 in Boolean algebra as defined by theorem 7b in Section 2.5.

Because of the similarity with the arithmetic addition and multiplication operations, the OR and AND operations are often called the *logical sum* and *product operations*. Thus  $x_1 + x_2$  is the logical sum of  $x_1$  and  $x_2$ , and  $x_1 \cdot x_2$  is the logical product of  $x_1$  and  $x_2$ . Instead of saying “logical product” and “logical sum,” it is customary to say simply “product” and “sum.” Thus we say that the expression

$$x_1 \cdot \bar{x}_2 \cdot x_3 + \bar{x}_1 \cdot x_4 + x_2 \cdot x_3 \cdot \bar{x}_4$$

is a sum of three product terms, whereas the expression

$$(\bar{x}_1 + x_3) \cdot (x_1 + \bar{x}_3) \cdot (\bar{x}_2 + x_3 + x_4)$$

is a product of three sum terms.

### 2.5.3 PRECEDENCE OF OPERATIONS

Using the three basic operations—AND, OR, and NOT—it is possible to construct an infinite number of logic expressions. Parentheses can be used to indicate the order in which the operations should be performed. However, to avoid an excessive use of parentheses, another convention defines the precedence of the basic operations. It states that in the absence of parentheses, operations in a logic expression must be performed in the order: NOT, AND, and then OR. Thus in the expression

$$x_1 \cdot x_2 + \bar{x}_1 \cdot \bar{x}_2$$

it is first necessary to generate the complements of  $x_1$  and  $x_2$ . Then the product terms  $x_1 \cdot x_2$  and  $\bar{x}_1 \cdot \bar{x}_2$  are formed, followed by the sum of the two product terms. Observe that in the absence of this convention, we would have to use parentheses to achieve the same effect as follows:

$$(x_1 \cdot x_2) + ((\bar{x}_1) \cdot (\bar{x}_2))$$

Finally, to simplify the appearance of logic expressions, it is customary to omit the  $\cdot$  operator when there is no ambiguity. Therefore, the preceding expression can be written as

$$x_1x_2 + \bar{x}_1\bar{x}_2$$

We will use this style throughout the book.

---

## 2.6 SYNTHESIS USING AND, OR, AND NOT GATES

Armed with some basic ideas, we can now try to implement arbitrary functions using the AND, OR, and NOT gates. Suppose that we wish to design a logic circuit with two inputs,  $x_1$  and  $x_2$ . Assume that  $x_1$  and  $x_2$  represent the states of two switches, either of which may

$x_1$	$x_2$	$f(x_1, x_2)$
0	0	1
0	1	1
1	0	0
1	1	1

**Figure 2.19** A function to be synthesized.

produce a 0 or 1. The function of the circuit is to continuously monitor the state of the switches and to produce an output logic value 1 whenever the switches  $(x_1, x_2)$  are in states  $(0, 0)$ ,  $(0, 1)$ , or  $(1, 1)$ . If the state of the switches is  $(1, 0)$ , the output should be 0. We can express the required behavior using a truth table, as shown in Figure 2.19.

A possible procedure for designing a logic circuit that implements this truth table is to create a product term that has a value of 1 for each valuation for which the output function  $f$  has to be 1. Then we can take a logical sum of these product terms to realize  $f$ . Let us begin with the fourth row of the truth table, which corresponds to  $x_1 = x_2 = 1$ . The product term that is equal to 1 for this valuation is  $x_1 \cdot x_2$ , which is just the AND of  $x_1$  and  $x_2$ . Next consider the first row of the table, for which  $x_1 = x_2 = 0$ . For this valuation the value 1 is produced by the product term  $\bar{x}_1 \cdot \bar{x}_2$ . Similarly, the second row leads to the term  $\bar{x}_1 \cdot x_2$ . Thus  $f$  may be realized as

$$f(x_1, x_2) = x_1x_2 + \bar{x}_1\bar{x}_2 + \bar{x}_1x_2$$

The logic network that corresponds to this expression is shown in Figure 2.20a.

Although this network implements  $f$  correctly, it is not the simplest such network. To find a simpler network, we can manipulate the obtained expression using the theorems and properties from Section 2.5. According to theorem 7b, we can replicate any term in a logical sum expression. Replicating the third product term, the above expression becomes

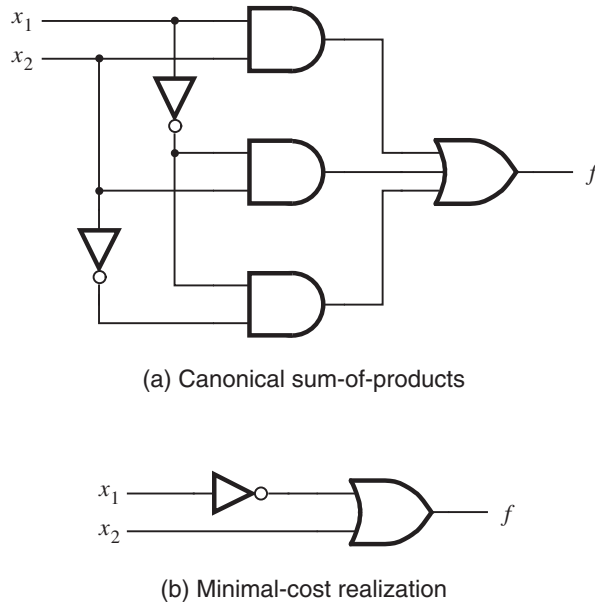
$$f(x_1, x_2) = x_1x_2 + \bar{x}_1\bar{x}_2 + \bar{x}_1x_2 + \bar{x}_1x_2$$

Using the commutative property 10b to interchange the second and third product terms gives

$$f(x_1, x_2) = x_1x_2 + \bar{x}_1x_2 + \bar{x}_1\bar{x}_2 + \bar{x}_1x_2$$

Now the distributive property 12a allows us to write

$$f(x_1, x_2) = (x_1 + \bar{x}_1)x_2 + \bar{x}_1(\bar{x}_2 + x_2)$$



**Figure 2.20** Two implementations of the function in Figure 2.19.

Applying theorem 8*b* we get

$$f(x_1, x_2) = 1 \cdot x_2 + \bar{x}_1 \cdot 1$$

Finally, theorem 6*a* leads to

$$f(x_1, x_2) = x_2 + \bar{x}_1$$

The network described by this expression is given in Figure 2.20*b*. Obviously, the cost of this network is much less than the cost of the network in part (a) of the figure.

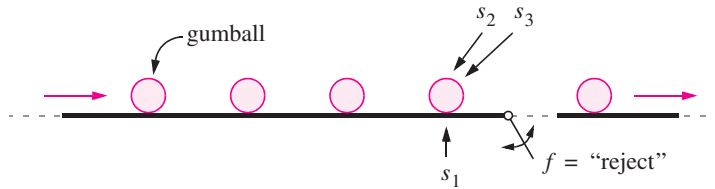
This simple example illustrates two things. First, a straightforward implementation of a function can be obtained by using a product term (AND gate) for each row of the truth table for which the function is equal to 1. Each product term contains all input variables, and it is formed such that if the input variable  $x_i$  is equal to 1 in the given row, then  $x_i$  is entered in the term; if  $x_i = 0$  in that row, then  $\bar{x}_i$  is entered. The sum of these product terms realizes the desired function. Second, there are many different networks that can realize a given function. Some of these networks may be simpler than others. Algebraic manipulation can be used to derive simplified logic expressions and thus lower-cost networks.

The process whereby we begin with a description of the desired functional behavior and then generate a circuit that realizes this behavior is called **synthesis**. Thus we can say that we “synthesized” the networks in Figure 2.20 from the truth table in Figure 2.19. Generation of AND-OR expressions from a truth table is just one of many types of synthesis techniques that we will encounter in this book.

**Example 2.7** Figure 2.21a depicts a part of a factory that makes bubble gumballs. The gumballs travel on a conveyor that has three associated sensors  $s_1$ ,  $s_2$ , and  $s_3$ . The sensor  $s_1$  is connected to a scale that weighs each gumball, and if a gumball is not heavy enough to be acceptable then the sensor sets  $s_1 = 1$ . Sensors  $s_2$  and  $s_3$  examine the diameter of each gumball. If a gumball is too small to be acceptable, then  $s_2 = 1$ , and if it is too large, then  $s_3 = 1$ . If a gumball is of an acceptable weight and size, then the sensors give  $s_1 = s_2 = s_3 = 0$ . The conveyor pushes the gumballs over a “trap door” that it used to reject the ones that are not properly formed. A gumball should be rejected if it is too large, or both too small and too light. The trap door is opened by setting the logic function  $f$  to the value 1. By inspection, we can see that an appropriate logic expression is  $f = s_1s_2 + s_3$ . We will use Boolean algebra to derive this logic expression from the truth table.

The truth table for  $f$  is given in Figure 2.21b. It sets  $f$  to 1 for each row in the table where  $s_3$  has the value 1 (too large), as well as for each row where  $s_1 = s_2 = 1$  (too light and too small). As described previously, a logic expression for  $f$  can be formed by including a product term for each row where  $f = 1$ . Thus, we can write

$$f = \bar{s}_1\bar{s}_2s_3 + \bar{s}_1s_2s_3 + s_1\bar{s}_2s_3 + s_1s_2\bar{s}_3 + s_1s_2s_3$$



(a) Conveyor and sensors

$s_1$	$s_2$	$s_3$	$f$
0	0	0	0
0	0	1	1
0	1	0	0
0	1	1	1
1	0	0	0
1	0	1	1
1	1	0	1
1	1	1	1

(b) Truth table

**Figure 2.21** A bubble gumball factory.

We can use algebraic manipulation to simplify this expression in a number of ways. For example, as shown below, we can first use rule 7*b* to repeat the term  $s_1s_2s_3$ , and then use the distributive property 12*a* and rule 8*b* to simplify the expression

$$\begin{aligned} f &= \bar{s}_1\bar{s}_2s_3 + \bar{s}_1s_2s_3 + s_1\bar{s}_2s_3 + s_1s_2s_3 + s_1s_2\bar{s}_3 + s_1s_2s_3 \\ &= \bar{s}_1s_3(\bar{s}_2 + s_2) + s_1s_3(\bar{s}_2 + s_2) + s_1s_2(\bar{s}_3 + s_3) \\ &= \bar{s}_1s_3 + s_1s_3 + s_1s_2 \end{aligned}$$

Now, using the combining property 14*a* on the first two product terms gives

$$f = s_3 + s_1s_2$$

The observant reader will notice that using the combining property 14*a* is really just a short form of first using the distributive property 12*a* and then applying rule 8*b*, as we did in the previous step. Our simplified expression for  $f$  is the same as the one that we determined earlier, by inspection.

There are different ways in which we can simplify the logic expression produced from the truth table in Figure 2.21*b*. Another approach is to first repeat the term  $s_1s_2s_3$ , as we did in Example 2.7, and then proceed as follows

### Example 2.8

$$\begin{aligned} f &= \bar{s}_1\bar{s}_2s_3 + \bar{s}_1s_2s_3 + s_1\bar{s}_2s_3 + s_1s_2s_3 + s_1s_2\bar{s}_3 + s_1s_2s_3 \\ &= s_3(\bar{s}_1\bar{s}_2 + \bar{s}_1s_2 + s_1\bar{s}_2 + s_1s_2) + s_1s_2(\bar{s}_3 + s_3) \\ &= s_3 \cdot 1 + s_1s_2 \\ &= s_3 + s_1s_2 \end{aligned}$$

Here, we used the distributive property 12*a* to produce the expression  $(\bar{s}_1\bar{s}_2 + \bar{s}_1s_2 + s_1\bar{s}_2 + s_1s_2)$ . Since this expression includes all possible valuations of  $s_1, s_2$ , it is equal to 1, leading to the same expression for  $f$  that we derived before.

Yet another way of producing the simplified logic expression is shown below.

### Example 2.9

$$\begin{aligned} f &= \bar{s}_1\bar{s}_2s_3 + \bar{s}_1s_2s_3 + s_1\bar{s}_2s_3 + s_1s_2\bar{s}_3 + s_1s_2s_3 \\ &= \bar{s}_1\bar{s}_2s_3 + \bar{s}_1s_2s_3 + s_1\bar{s}_2s_3 + \bar{s}_1\bar{s}_2s_3 + s_1s_2\bar{s}_3 + s_1s_2s_3 \\ &= \bar{s}_1s_3(\bar{s}_2 + s_2) + \bar{s}_2s_3(s_1 + \bar{s}_1) + s_1s_2(\bar{s}_3 + s_3) \\ &= \bar{s}_1s_3 + \bar{s}_2s_3 + s_1s_2 \\ &= s_3(\bar{s}_1 + \bar{s}_2) + s_1s_2 \\ &= s_3(\overline{s_1s_2}) + s_1s_2 \\ &= s_3 + s_1s_2 \end{aligned}$$

In this solution, we first repeat the term  $\bar{s}_1\bar{s}_2s_3$ , and then simplify to generate the expression  $s_3(\bar{s}_1 + \bar{s}_2) + s_1s_2$ . Using DeMorgan's theorem 15*a* we can replace  $(\bar{s}_1 + \bar{s}_2)$  with  $(\overline{s_1s_2})$ , which can then be deleted by applying property 16*a*.



As illustrated by Examples 2.7 to 2.9, there are multiple ways in which a logic expression can be minimized by using Boolean algebra. This process can be daunting, because it is not obvious which rules, identities, and properties should be applied, and in what order. Later in this chapter, in Section 2.11, we will introduce a graphical technique, called the Karnaugh map, that clarifies this process by providing a systematic way of generating a minimal-cost logic expression for a function.

### 2.6.1 SUM-OF-PRODUCTS AND PRODUCT-OF-SUMS FORMS

Having introduced the synthesis process by means of simple examples, we will now present it in more formal terms using the terminology that is encountered in the technical literature. We will also show how the principle of duality, which was introduced in Section 2.5, applies broadly in the synthesis process.

If a function  $f$  is specified in the form of a truth table, then an expression that realizes  $f$  can be obtained by considering either the rows in the table for which  $f = 1$ , as we have already done, or by considering the rows for which  $f = 0$ , as we will explain shortly.

#### Minterms

For a function of  $n$  variables, a product term in which each of the  $n$  variables appears once is called a *minterm*. The variables may appear in a minterm either in uncomplemented or complemented form. For a given row of the truth table, the minterm is formed by including  $x_i$  if  $x_i = 1$  and by including  $\bar{x}_i$  if  $x_i = 0$ .

To illustrate this concept, consider the truth table in Figure 2.22. We have numbered the rows of the table from 0 to 7, so that we can refer to them easily. From the discussion of the binary number representation in Section 1.5, we can observe that the row numbers chosen are just the numbers represented by the bit patterns of variables  $x_1$ ,  $x_2$ , and  $x_3$ . The figure shows all minterms for the three-variable table. For example, in the first row the variables

Row number	$x_1$	$x_2$	$x_3$	Minterm	Maxterm
0	0	0	0	$m_0 = \bar{x}_1\bar{x}_2\bar{x}_3$	$M_0 = x_1 + x_2 + x_3$
1	0	0	1	$m_1 = \bar{x}_1\bar{x}_2x_3$	$M_1 = x_1 + x_2 + \bar{x}_3$
2	0	1	0	$m_2 = \bar{x}_1x_2\bar{x}_3$	$M_2 = x_1 + \bar{x}_2 + x_3$
3	0	1	1	$m_3 = \bar{x}_1x_2x_3$	$M_3 = x_1 + \bar{x}_2 + \bar{x}_3$
4	1	0	0	$m_4 = x_1\bar{x}_2\bar{x}_3$	$M_4 = \bar{x}_1 + x_2 + x_3$
5	1	0	1	$m_5 = x_1\bar{x}_2x_3$	$M_5 = \bar{x}_1 + x_2 + \bar{x}_3$
6	1	1	0	$m_6 = x_1x_2\bar{x}_3$	$M_6 = \bar{x}_1 + \bar{x}_2 + x_3$
7	1	1	1	$m_7 = x_1x_2x_3$	$M_7 = \bar{x}_1 + \bar{x}_2 + \bar{x}_3$

**Figure 2.22** Three-variable minterms and maxterms.

have the values  $x_1 = x_2 = x_3 = 0$ , which leads to the minterm  $\bar{x}_1\bar{x}_2\bar{x}_3$ . In the second row  $x_1 = x_2 = 0$  and  $x_3 = 1$ , which gives the minterm  $\bar{x}_1\bar{x}_2x_3$ , and so on. To be able to refer to the individual minterms easily, it is convenient to identify each minterm by an index that corresponds to the row numbers shown in the figure. We will use the notation  $m_i$  to denote the minterm for row number  $i$ . Thus  $m_0 = \bar{x}_1\bar{x}_2\bar{x}_3$ ,  $m_1 = \bar{x}_1\bar{x}_2x_3$ , and so on.

### Sum-of-Products Form

A function  $f$  can be represented by an expression that is a sum of minterms, where each minterm is ANDed with the value of  $f$  for the corresponding valuation of input variables. For example, the two-variable minterms are  $m_0 = \bar{x}_1\bar{x}_2$ ,  $m_1 = \bar{x}_1x_2$ ,  $m_2 = x_1\bar{x}_2$ , and  $m_3 = x_1x_2$ . The function in Figure 2.19 can be represented as

$$\begin{aligned} f &= m_0 \cdot 1 + m_1 \cdot 1 + m_2 \cdot 0 + m_3 \cdot 1 \\ &= m_0 + m_1 + m_3 \\ &= \bar{x}_1\bar{x}_2 + \bar{x}_1x_2 + x_1x_2 \end{aligned}$$

which is the form that we derived in the previous section using an intuitive approach. Only the minterms that correspond to the rows for which  $f = 1$  appear in the resulting expression.

Any function  $f$  can be represented by a sum of minterms that correspond to the rows in the truth table for which  $f = 1$ . The resulting implementation is functionally correct and unique, but it is not necessarily the lowest-cost implementation of  $f$ . A logic expression consisting of product (AND) terms that are summed (ORed) is said to be in the *sum-of-products (SOP)* form. If each product term is a minterm, then the expression is called a *canonical sum-of-products* for the function  $f$ . As we have seen in the example of Figure 2.20, the first step in the synthesis process is to derive a canonical sum-of-products expression for the given function. Then we can manipulate this expression, using the theorems and properties of Section 2.5, with the goal of finding a functionally equivalent sum-of-products expression that has a lower cost.

As another example, consider the three-variable function  $f(x_1, x_2, x_3)$ , specified by the truth table in Figure 2.23. To synthesize this function, we have to include the minterms  $m_1$ ,

Row number	$x_1$	$x_2$	$x_3$	$f(x_1, x_2, x_3)$
0	0	0	0	0
1	0	0	1	1
2	0	1	0	0
3	0	1	1	0
4	1	0	0	1
5	1	0	1	1
6	1	1	0	1
7	1	1	1	0

**Figure 2.23** A three-variable function.

$m_4$ ,  $m_5$ , and  $m_6$ . Copying these minterms from Figure 2.22 leads to the following canonical sum-of-products expression for  $f$

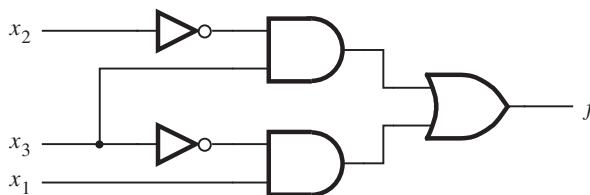
$$f(x_1, x_2, x_3) = \bar{x}_1\bar{x}_2x_3 + x_1\bar{x}_2\bar{x}_3 + x_1\bar{x}_2x_3 + x_1x_2\bar{x}_3$$

This expression can be manipulated as follows

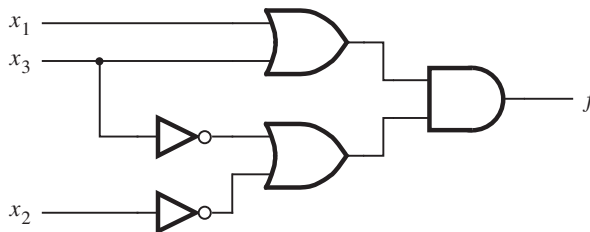
$$\begin{aligned} f &= (\bar{x}_1 + x_1)\bar{x}_2x_3 + x_1(\bar{x}_2 + x_2)\bar{x}_3 \\ &= 1 \cdot \bar{x}_2x_3 + x_1 \cdot 1 \cdot \bar{x}_3 \\ &= \bar{x}_2x_3 + x_1\bar{x}_3 \end{aligned}$$

This is the minimum-cost sum-of-products expression for  $f$ . It describes the circuit shown in Figure 2.24a. A good indication of the **cost** of a logic circuit is the total number of gates plus the total number of inputs to all gates in the circuit. Using this measure, the cost of the network in Figure 2.24a is 13, because there are five gates and eight inputs to the gates. By comparison, the network implemented on the basis of the canonical sum-of-products would have a cost of 27; from the preceding expression, the OR gate has four inputs, each of the four AND gates has three inputs, and each of the three NOT gates has one input.

Minterms, with their row-number subscripts, can also be used to specify a given function in a more concise form. For example, the function in Figure 2.23 can be specified



(a) A minimal sum-of-products realization



(b) A minimal product-of-sums realization

**Figure 2.24** Two realizations of the function in Figure 2.23.

as

$$f(x_1, x_2, x_3) = \sum(m_1, m_4, m_5, m_6)$$

or even more simply as

$$f(x_1, x_2, x_3) = \sum m(1, 4, 5, 6)$$

The  $\sum$  sign denotes the logical sum operation. This shorthand notation is often used in practice.

Consider the function

**Example 2.10**

$$f(x_1, x_2, x_3) = \sum m(2, 3, 4, 6, 7)$$

The canonical SOP expression for the function is derived using minterms

$$\begin{aligned} f &= m_2 + m_3 + m_4 + m_6 + m_7 \\ &= \bar{x}_1x_2\bar{x}_3 + \bar{x}_1x_2x_3 + x_1\bar{x}_2\bar{x}_3 + x_1x_2\bar{x}_3 + x_1x_2x_3 \end{aligned}$$

This expression can be simplified using the identities in Section 2.5 as follows

$$\begin{aligned} f &= \bar{x}_1x_2(\bar{x}_3 + x_3) + x_1(\bar{x}_2 + x_2)\bar{x}_3 + x_1x_2(\bar{x}_3 + x_3) \\ &= \bar{x}_1x_2 + x_1\bar{x}_3 + x_1x_2 \\ &= (\bar{x}_1 + x_1)x_2 + x_1\bar{x}_3 \\ &= x_2 + x_1\bar{x}_3 \end{aligned}$$

Suppose that a four-variable function is defined by

**Example 2.11**

$$f(x_1, x_2, x_3, x_4) = \sum m(3, 7, 9, 12, 13, 14, 15)$$

The canonical SOP expression for this function is

$$f = \bar{x}_1\bar{x}_2x_3x_4 + \bar{x}_1x_2x_3x_4 + x_1\bar{x}_2\bar{x}_3x_4 + x_1x_2\bar{x}_3\bar{x}_4 + x_1x_2\bar{x}_3x_4 + x_1x_2x_3\bar{x}_4 + x_1x_2x_3x_4$$

A simpler SOP expression can be obtained as follows

$$\begin{aligned} f &= \bar{x}_1(\bar{x}_2 + x_2)x_3x_4 + x_1(\bar{x}_2 + x_2)\bar{x}_3x_4 + x_1x_2\bar{x}_3(\bar{x}_4 + x_4) + x_1x_2x_3(\bar{x}_4 + x_4) \\ &= \bar{x}_1x_3x_4 + x_1\bar{x}_3x_4 + x_1x_2\bar{x}_3 + x_1x_2x_3 \\ &= \bar{x}_1x_3x_4 + x_1\bar{x}_3x_4 + x_1x_2(\bar{x}_3 + x_3) \\ &= \bar{x}_1x_3x_4 + x_1\bar{x}_3x_4 + x_1x_2 \end{aligned}$$

### Maxterms

The principle of duality suggests that if it is possible to synthesize a function  $f$  by considering the rows in the truth table for which  $f = 1$ , then it should also be possible to synthesize  $f$  by considering the rows for which  $f = 0$ . This alternative approach uses the complements of minterms, which are called *maxterms*. All possible maxterms for three-variable functions are listed in Figure 2.22. We will refer to a maxterm  $M_j$  by the same row number as its corresponding minterm  $m_j$  as shown in the figure.

### Product-of-Sums Form

If a given function  $f$  is specified by a truth table, then its complement  $\bar{f}$  can be represented by a sum of minterms for which  $\bar{f} = 1$ , which are the rows where  $f = 0$ . For example, for the function in Figure 2.19

$$\begin{aligned}\bar{f}(x_1, x_2) &= m_2 \\ &= x_1\bar{x}_2\end{aligned}$$

If we complement this expression using DeMorgan's theorem, the result is

$$\begin{aligned}\bar{\bar{f}} &= f = \overline{x_1\bar{x}_2} \\ &= \bar{x}_1 + x_2\end{aligned}$$

Note that we obtained this expression previously by algebraic manipulation of the canonical sum-of-products form for the function  $f$ . The key point here is that

$$f = \bar{m}_2 = M_2$$

where  $M_2$  is the maxterm for row 2 in the truth table.

As another example, consider again the function in Figure 2.23. The complement of this function can be represented as

$$\begin{aligned}\bar{f}(x_1, x_2, x_3) &= m_0 + m_2 + m_3 + m_7 \\ &= \bar{x}_1\bar{x}_2\bar{x}_3 + \bar{x}_1x_2\bar{x}_3 + \bar{x}_1x_2x_3 + x_1x_2x_3\end{aligned}$$

Then  $f$  can be expressed as

$$\begin{aligned}f &= \overline{m_0 + m_2 + m_3 + m_7} \\ &= \bar{m}_0 \cdot \bar{m}_2 \cdot \bar{m}_3 \cdot \bar{m}_7 \\ &= M_0 \cdot M_2 \cdot M_3 \cdot M_7 \\ &= (x_1 + x_2 + x_3)(x_1 + \bar{x}_2 + x_3)(x_1 + \bar{x}_2 + \bar{x}_3)(\bar{x}_1 + \bar{x}_2 + \bar{x}_3)\end{aligned}$$

This expression represents  $f$  as a product of maxterms.

A logic expression consisting of sum (OR) terms that are the factors of a logical product (AND) is said to be of the *product-of-sums (POS)* form. If each sum term is a maxterm, then the expression is called a *canonical product-of-sums* for the given function. Any function  $f$  can be synthesized by finding its canonical product-of-sums. This involves taking the maxterm for each row in the truth table for which  $f = 0$  and forming a product of these maxterms.

Returning to the preceding example, we can attempt to reduce the complexity of the derived expression that comprises a product of maxterms. Using the commutative property 10*b* and the associative property 11*b* from Section 2.5, this expression can be written as

$$f = ((x_1 + x_3) + x_2)((x_1 + x_3) + \bar{x}_2)(x_1 + (\bar{x}_2 + \bar{x}_3))(\bar{x}_1 + (\bar{x}_2 + \bar{x}_3))$$

Then, using the combining property 14*b*, the expression reduces to

$$f = (x_1 + x_3)(\bar{x}_2 + \bar{x}_3)$$

The corresponding network is given in Figure 2.24*b*. The cost of this network is 13. While this cost happens to be the same as the cost of the sum-of-products version in Figure 2.24*a*, the reader should not assume that the cost of a network derived in the sum-of-products form will in general be equal to the cost of a corresponding circuit derived in the product-of-sums form.

Using the shorthand notation, an alternative way of specifying our sample function is

$$f(x_1, x_2, x_3) = \Pi(M_0, M_2, M_3, M_7)$$

or more simply

$$f(x_1, x_2, x_3) = \Pi M(0, 2, 3, 7)$$

The  $\Pi$  sign denotes the logical product operation.

The preceding discussion has shown how logic functions can be realized in the form of logic circuits, consisting of networks of gates that implement basic functions. A given function may be realized with various different circuit structures, which usually implies a difference in cost. An important objective for a designer is to minimize the cost of the designed circuit. We will discuss strategies for finding minimum-cost implementations in Section 2.11.

---

**Consider again the function in Example 2.10. Instead of using the minterms, we can specify this function as a product of maxterms for which  $f = 0$ , namely** **Example 2.12**

$$f(x_1, x_2, x_3) = \Pi M(0, 1, 5)$$

Then, the canonical POS expression is derived as

$$\begin{aligned} f &= M_0 \cdot M_1 \cdot M_5 \\ &= (x_1 + x_2 + x_3)(x_1 + x_2 + \bar{x}_3)(\bar{x}_1 + x_2 + \bar{x}_3) \end{aligned}$$

A simplified POS expression can be derived as

$$\begin{aligned} f &= (x_1 + x_2 + x_3)(x_1 + x_2 + \bar{x}_3)(x_1 + x_2 + \bar{x}_3)(\bar{x}_1 + x_2 + \bar{x}_3) \\ &= ((x_1 + x_2) + x_3)((x_1 + x_2) + \bar{x}_3)(x_1 + (x_2 + \bar{x}_3))(\bar{x}_1 + (x_2 + \bar{x}_3)) \\ &= ((x_1 + x_2) + x_3\bar{x}_3)(x_1\bar{x}_1 + (x_2 + \bar{x}_3)) \\ &= (x_1 + x_2)(x_2 + \bar{x}_3) \end{aligned}$$

Another way of deriving this product-of-sums expression is to use the sum-of-products form of  $\bar{f}$ . Thus,

$$\begin{aligned}\bar{f}(x_1, x_2, x_3) &= \sum m(0, 1, 5) \\ &= \bar{x}_1\bar{x}_2\bar{x}_3 + \bar{x}_1\bar{x}_2x_3 + x_1\bar{x}_2x_3 \\ &= \bar{x}_1\bar{x}_2\bar{x}_3 + \bar{x}_1\bar{x}_2x_3 + \bar{x}_1\bar{x}_2x_3 + x_1\bar{x}_2x_3 \\ &= \bar{x}_1\bar{x}_2(\bar{x}_3 + x_3) + \bar{x}_2x_3(\bar{x}_1 + x_1) \\ &= \bar{x}_1\bar{x}_2 + \bar{x}_2x_3\end{aligned}$$

Now, first applying DeMorgan's theorem 15*b*, and then applying 15*a* (twice) gives

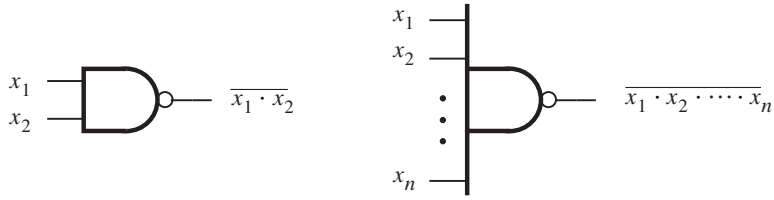
$$\begin{aligned}f &= \overline{\bar{f}} \\ &= \overline{(\bar{x}_1\bar{x}_2 + \bar{x}_2x_3)} \\ &= (\overline{\bar{x}_1\bar{x}_2})(\overline{\bar{x}_2x_3}) \\ &= (x_1 + x_2)(x_2 + \bar{x}_3)\end{aligned}$$

To see that this product-of-sums expression for  $f$  is equivalent to the sum-of-products expression that we derived in Example 2.10, we can slightly rearrange our expression as  $f = (x_2 + x_1)(x_2 + \bar{x}_3)$ . Now, recognizing that this expression has the form of the righthand side of the distributive property 12*b*, we have the sum-of-products expression  $f = x_2 + x_1\bar{x}_3$ .

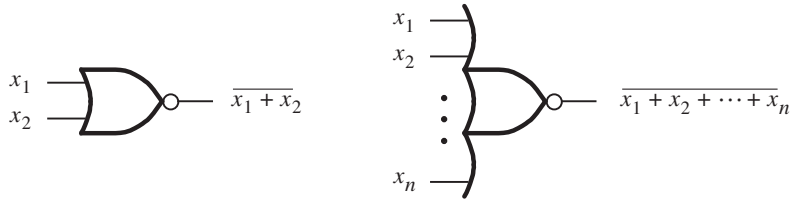
## 2.7 NAND AND NOR LOGIC NETWORKS

We have discussed the use of AND, OR, and NOT gates in the synthesis of logic circuits. There are other basic logic functions that are also used for this purpose. Particularly useful are the NAND and NOR functions which are obtained by complementing the output generated by AND and OR operations, respectively. These functions are attractive because they are implemented with simpler electronic circuits than the AND and OR functions, as we discuss in Appendix B. Figure 2.25 gives the graphical symbols for the NAND and NOR gates. A bubble is placed on the output side of the AND and OR gate symbols to represent the complemented output signal.

If NAND and NOR gates are realized with simpler circuits than AND and OR gates, then we should ask whether these gates can be used directly in the synthesis of logic circuits. In Section 2.5 we introduced DeMorgan's theorem. Its logic gate interpretation is shown in Figure 2.26. Identity 15*a* is interpreted in part (a) of the figure. It specifies that a NAND of variables  $x_1$  and  $x_2$  is equivalent to first complementing each of the variables and then ORing them. Notice on the far-right side that we have indicated the NOT gates simply as bubbles, which denote inversion of the logic value at that point. The other half of DeMorgan's theorem, identity 15*b*, appears in part (b) of the figure. It states that the NOR function is equivalent to first inverting the input variables and then ANDing them.

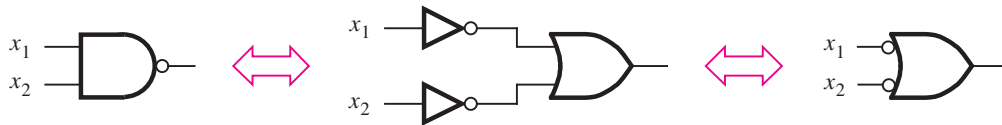


(a) NAND gates

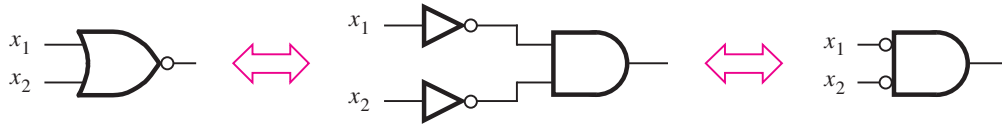


(b) NOR gates

**Figure 2.25** NAND and NOR gates.



(a)  $\overline{x_1 \cdot x_2} = \overline{x_1} + \overline{x_2}$



(b)  $\overline{x_1 + x_2} = \overline{x_1} \cdot \overline{x_2}$

**Figure 2.26** DeMorgan's theorem in terms of logic gates.



In Section 2.6 we explained how any logic function can be implemented either in sum-of-products or product-of-sums form, which leads to logic networks that have either an AND-OR or an OR-AND structure, respectively. We will now show that such networks can be implemented using only NAND gates or only NOR gates.

Consider the network in Figure 2.27 as a representative of general AND-OR networks. This network can be transformed into a network of NAND gates as shown in the figure. First, each connection between the AND gate and an OR gate is replaced by a connection that includes two inversions of the signal: one inversion at the output of the AND gate and the other at the input of the OR gate. Such double inversion has no effect on the behavior of the network, as stated formally in theorem 9 in Section 2.5. According to Figure 2.26a, the OR gate with inversions at its inputs is equivalent to a NAND gate. Thus we can redraw the network using only NAND gates, as shown in Figure 2.27. This example shows that any AND-OR network can be implemented as a NAND-NAND network having the same topology.

Figure 2.28 gives a similar construction for a product-of-sums network, which can be transformed into a circuit with only NOR gates. The procedure is exactly the same as the one described for Figure 2.27 except that now the identity in Figure 2.26b is applied. The conclusion is that any OR-AND network can be implemented as a NOR-NOR network having the same topology.

**Example 2.13** Let us implement the function

$$f(x_1, x_2, x_3) = \sum m(2, 3, 4, 6, 7)$$

using NOR gates only. In Example 2.12 we showed that the function can be represented by the POS expression

$$f = (x_1 + x_2)(x_2 + \bar{x}_3)$$

An OR-AND circuit that corresponds to this expression is shown in Figure 2.29a. Using the same structure of the circuit, a NOR-gate version is given in Figure 2.29b. Note that  $x_3$  is inverted by a NOR gate that has its inputs tied together.

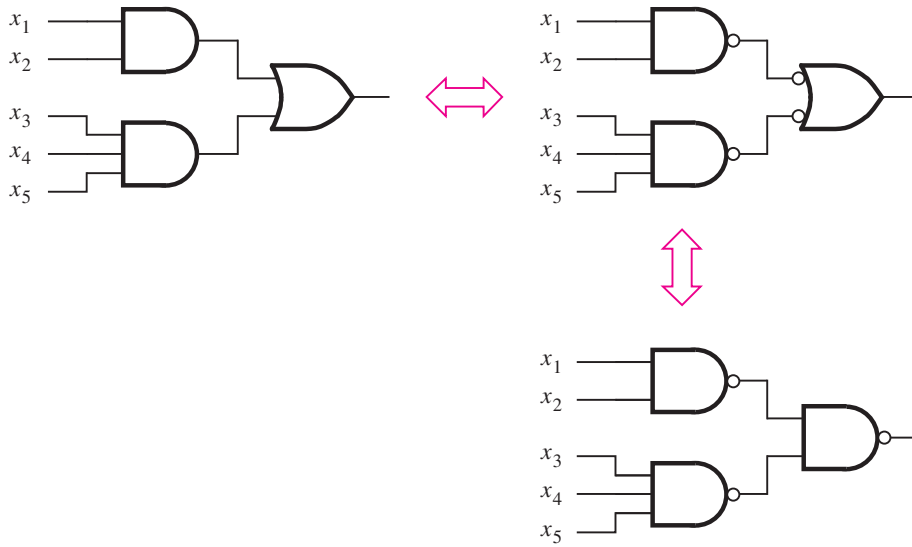
**Example 2.14** Let us now implement the function

$$f(x_1, x_2, x_3) = \sum m(2, 3, 4, 6, 7)$$

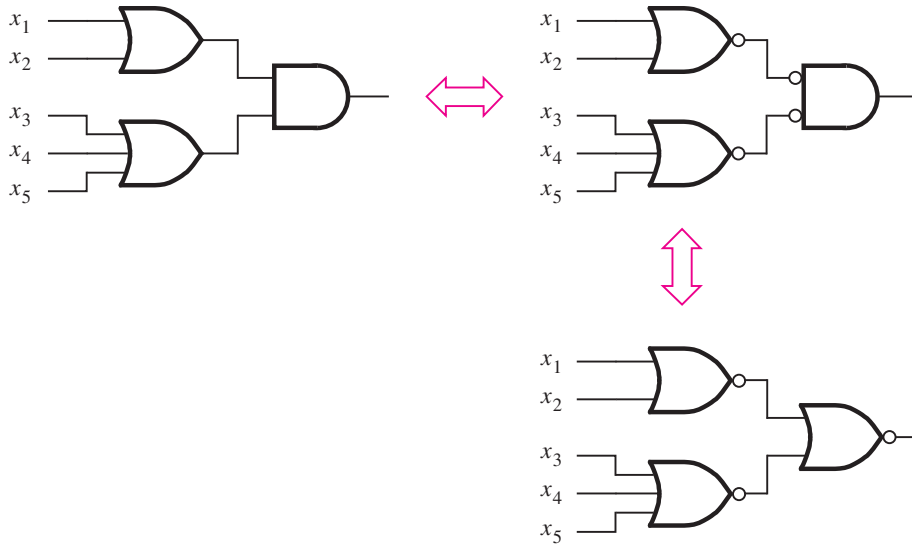
using NAND gates only. In Example 2.10 we derived the SOP expression

$$f = x_2 + x_1\bar{x}_3$$

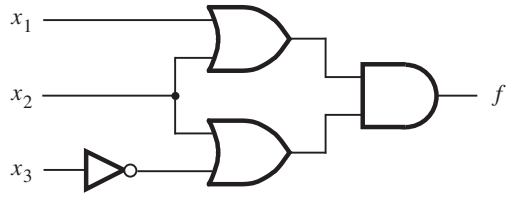
which is realized using the circuit in Figure 2.30a. We can again use the same structure to obtain a circuit with NAND gates, but with one difference. The signal  $x_2$  passes only through an OR gate, instead of passing through an AND gate and an OR gate. If we simply



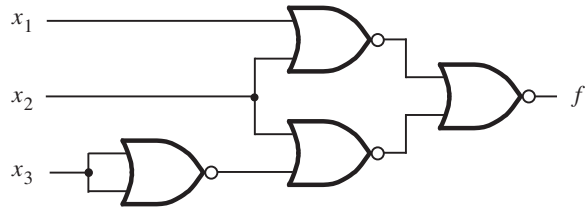
**Figure 2.27** Using NAND gates to implement a sum-of-products.



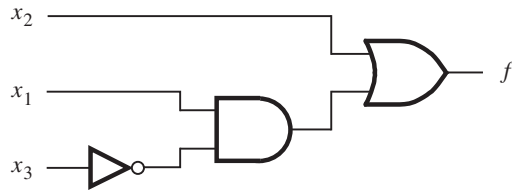
**Figure 2.28** Using NOR gates to implement a product-of-sums.



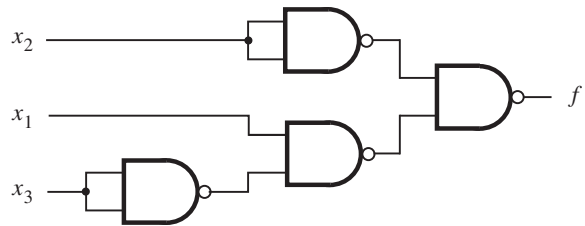
(a) POS implementation



(b) NOR implementation

**Figure 2.29** NOR-gate realization of the function in Example 2.13.

(a) SOP implementation



(b) NAND implementation

**Figure 2.30** NAND-gate realization of the function in Example 2.10.

replace the OR gate with a NAND gate, this signal would be inverted which would result in a wrong output value. Since  $x_2$  must either not be inverted, or it can be inverted twice, we can pass it through two NAND gates as depicted in Figure 2.30*b*. Observe that for this circuit the output  $f$  is

$$f = \overline{\overline{\bar{x}_2} \cdot x_1 \bar{x}_3}$$

Applying DeMorgan's theorem, this expression becomes

$$f = x_2 + x_1 \bar{x}_3$$

---

## 2.8 DESIGN EXAMPLES

Logic circuits provide a solution to a problem. They implement functions that are needed to carry out specific tasks. Within the framework of a computer, logic circuits provide complete capability for execution of programs and processing of data. Such circuits are complex and difficult to design. But regardless of the complexity of a given circuit, a designer of logic circuits is always confronted with the same basic issues. First, it is necessary to specify the desired behavior of the circuit. Second, the circuit has to be synthesized and implemented. Finally, the implemented circuit has to be tested to verify that it meets the specifications. The desired behavior is often initially described in words, which then must be turned into a formal specification. In this section we give three simple examples of design.

### 2.8.1 THREE-WAY LIGHT CONTROL

Assume that a large room has three doors and that a switch near each door controls a light in the room. It has to be possible to turn the light on or off by changing the state of any one of the switches.

As a first step, let us turn this word statement into a formal specification using a truth table. Let  $x_1$ ,  $x_2$ , and  $x_3$  be the input variables that denote the state of each switch. Assume that the light is off if all switches are open. Closing any one of the switches will turn the light on. Then turning on a second switch will have to turn off the light. Thus the light will be on if exactly one switch is closed, and it will be off if two (or no) switches are closed. If the light is off when two switches are closed, then it must be possible to turn it on by closing the third switch. If  $f(x_1, x_2, x_3)$  represents the state of the light, then the required functional behavior can be specified as shown in the truth table in Figure 2.31. The canonical sum-of-products expression for the specified function is

$$\begin{aligned} f &= m_1 + m_2 + m_4 + m_7 \\ &= \bar{x}_1 \bar{x}_2 x_3 + \bar{x}_1 x_2 \bar{x}_3 + x_1 \bar{x}_2 \bar{x}_3 + x_1 x_2 x_3 \end{aligned}$$

This expression cannot be simplified into a lower-cost sum-of-products expression. The resulting circuit is shown in Figure 2.32*a*.

$x_1$	$x_2$	$x_3$	$f$
0	0	0	0
0	0	1	1
0	1	0	1
0	1	1	0
1	0	0	1
1	0	1	0
1	1	0	0
1	1	1	1

**Figure 2.31** Truth table for the three-way light control.

An alternative realization for this function is in the product-of-sums form. The canonical expression of this type is

$$\begin{aligned}
 f &= M_0 \cdot M_3 \cdot M_5 \cdot M_6 \\
 &= (x_1 + x_2 + x_3)(x_1 + \bar{x}_2 + \bar{x}_3)(\bar{x}_1 + x_2 + \bar{x}_3)(\bar{x}_1 + \bar{x}_2 + x_3)
 \end{aligned}$$

The resulting circuit is depicted in Figure 2.32*b*. It has the same cost as the circuit in part (a) of the figure.

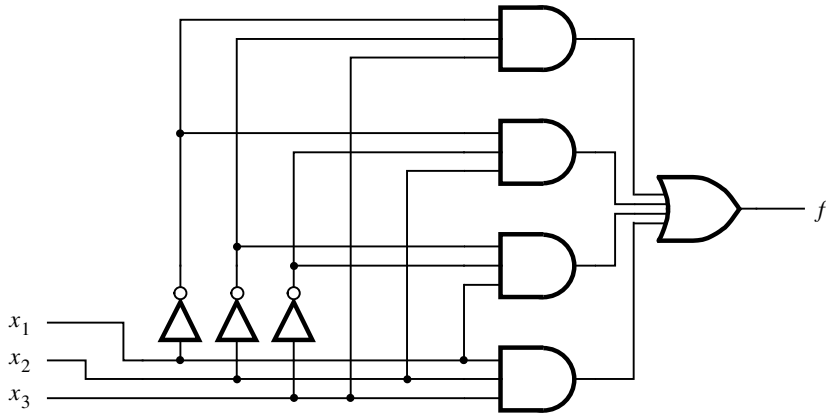
When the designed circuit is implemented, it can be tested by applying the various input valuations to the circuit and checking whether the output corresponds to the values specified in the truth table. A straightforward approach is to check that the correct output is produced for all eight possible input valuations.

## 2.8.2 MULTIPLEXER CIRCUIT

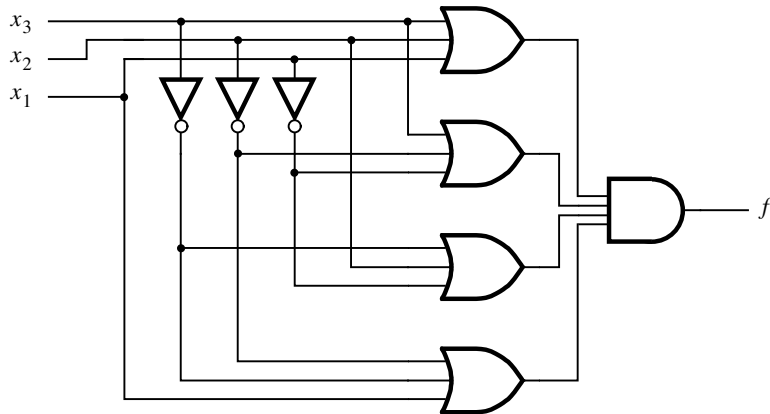
In computer systems it is often necessary to choose data from exactly one of a number of possible sources. Suppose that there are two sources of data, provided as input signals  $x_1$  and  $x_2$ . The values of these signals change in time, perhaps at regular intervals. Thus sequences of 0s and 1s are applied on each of the inputs  $x_1$  and  $x_2$ . We want to design a circuit that produces an output that has the same value as either  $x_1$  or  $x_2$ , dependent on the value of a selection control signal  $s$ . Therefore, the circuit should have three inputs:  $x_1$ ,  $x_2$ , and  $s$ . Assume that the output of the circuit will be the same as the value of input  $x_1$  if  $s = 0$ , and it will be the same as  $x_2$  if  $s = 1$ .

Based on these requirements, we can specify the desired circuit in the form of a truth table given in Figure 2.33*a*. From the truth table, we derive the canonical sum of products

$$f(s, x_1, x_2) = \bar{s}x_1\bar{x}_2 + \bar{s}x_1x_2 + s\bar{x}_1x_2 + sx_1x_2$$



(a) Sum-of-products realization



(b) Product-of-sums realization

**Figure 2.32** Implementation of the function in Figure 2.31.

Using the distributive property, this expression can be written as

$$f = \bar{s}x_1(\bar{x}_2 + x_2) + s(\bar{x}_1 + x_1)x_2$$

Applying theorem 8b yields

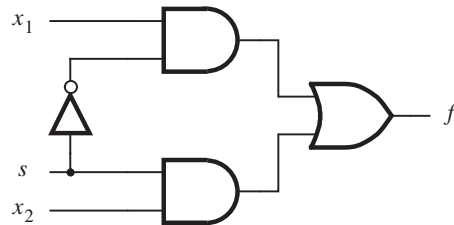
$$f = \bar{s}x_1 \cdot 1 + s \cdot 1 \cdot x_2$$

Finally, theorem 6a gives

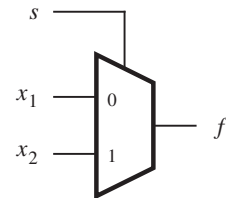
$$f = \bar{s}x_1 + sx_2$$

$s$ $x_1$ $x_2$	$f(s, x_1, x_2)$
0 0 0	0
0 0 1	0
0 1 0	1
0 1 1	1
1 0 0	0
1 0 1	1
1 1 0	0
1 1 1	1

(a) Truth table



(b) Circuit



(c) Graphical symbol

$s$	$f(s, x_1, x_2)$
0	$x_1$
1	$x_2$

(d) More compact truth-table representation

**Figure 2.33** Implementation of a multiplexer.

A circuit that implements this function is shown in Figure 2.33b. Circuits of this type are used so extensively that they are given a special name. A circuit that generates an output that exactly reflects the state of one of a number of data inputs, based on the value of one or more selection control inputs, is called a *multiplexer*. We say that a multiplexer circuit “multiplexes” input signals onto a single output.

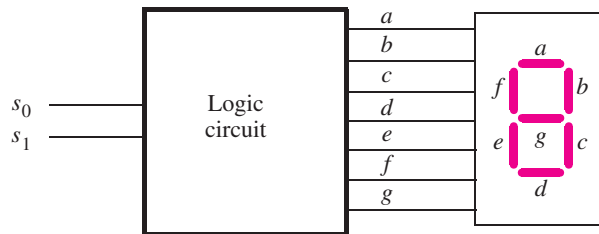
In this example we derived a multiplexer with two data inputs, which is referred to as a “2-to-1 multiplexer.” A commonly used graphical symbol for the 2-to-1 multiplexer is shown in Figure 2.33c. The same idea can be extended to larger circuits. A 4-to-1 multiplexer has four data inputs and one output. In this case two selection control inputs are needed to choose one of the four data inputs that is transmitted as the output signal. An 8-to-1 multiplexer needs eight data inputs and three selection control inputs, and so on.

Note that the statement “ $f = x_1$  if  $s = 0$ , and  $f = x_2$  if  $s = 1$ ” can be presented in a more compact form of a truth table, as indicated in Figure 2.33d. In later chapters we will have occasion to use such representation.

We showed how a multiplexer can be built using AND, OR, and NOT gates. The same circuit structure can be used to implement the multiplexer using NAND gates, as explained in Section 2.7. In Appendix B we will show other possibilities for constructing multiplexers. In Chapter 4 we will discuss the use of multiplexers in considerable detail.

### 2.8.3 NUMBER DISPLAY

In Example 2.2 we designed an adder circuit that generates the arithmetic sum  $S = a + b$ , where  $a$  and  $b$  are one-bit numbers and  $S = s_1s_0$  provides the resulting two-bit sum, which is either 00, 01, or 10. In this design example we wish to create a logic circuit that drives a familiar seven-segment display, as illustrated in Figure 2.34a. This display allows us to show the value of  $S$  as a decimal number, either 0, 1, or 2. The display includes seven



(a) Logic circuit and 7-segment display

	$s_1$	$s_0$	$a$	$b$	$c$	$d$	$e$	$f$	$g$
<b>0</b>	0	0	1	1	1	1	1	1	0
<b>1</b>	0	1	0	1	1	0	0	0	0
<b>2</b>	1	0	1	1	0	1	1	0	1

(b) Truth table

**Figure 2.34** Display of numbers.



segments, labeled  $a, b, \dots, g$  in the figure, where each segment is a light-emitting diode (LED). Our logic circuit has the two inputs  $s_1$  and  $s_0$ . It produces seven outputs, one for each segment in the display. Setting an output to the value 1 illuminates the corresponding segment in the display. By illuminating specific segments for each valuation of  $s_1s_0$  we can make the display's appearance correspond to the shape of the appropriate decimal digit.

Part (b) of Figure 2.34 shows a truth table for the possible valuations of  $s_1s_0$  and indicates on the lefthand side how the display should appear in each case. The truth table specifies the logic values needed for each of the seven functions. For example, segment  $a$  in the 7-segment display needs to be turned on when  $S$  has the decimal values 0 or 2, but has to be off when  $S$  has the value 1. Hence, the corresponding logic function is set to 1 for minterms  $m_0$  and  $m_2$ , giving  $a = \bar{s}_1\bar{s}_0 + s_1\bar{s}_0 = \bar{s}_0$ . Logic expressions for each of the seven functions are:

$$a = d = e = \bar{s}_0$$

$$b = 1$$

$$c = \bar{s}_1$$

$$f = \bar{s}_1\bar{s}_0$$

$$g = s_1\bar{s}_0$$

Designers of logic circuits rely heavily on CAD tools. We want to encourage the reader to become familiar with CAD tools as soon as possible. We have reached a point where an introduction to these tools is useful. The next section presents some basic concepts that are needed to use these tools. We will also introduce, in Section 2.10, a special language for describing logic circuits, called Verilog. This language is used to describe the circuits as an input to the CAD tools, which then proceed to derive a suitable implementation.

## 2.9 INTRODUCTION TO CAD TOOLS

The preceding sections introduced a basic approach for synthesis of logic circuits. A designer could use this approach manually for small circuits. However, logic circuits found in complex systems, such as today's computers, cannot be designed manually—they are designed using sophisticated CAD tools that automatically implement the synthesis techniques.

To design a logic circuit, a number of CAD tools are needed. They are usually packaged together into a *CAD system*, which typically includes tools for the following tasks: design entry, logic synthesis and optimization, simulation, and physical design. We will introduce some of these tools in this section and will provide additional discussion in later chapters.

### 2.9.1 DESIGN ENTRY

The starting point in the process of designing a logic circuit is the conception of what the circuit is supposed to do and the formulation of its general structure. This step is done manually by the designer because it requires design experience and intuition. The rest

of the design process is done with the aid of CAD tools. The first stage of this process involves entering into the CAD system a description of the circuit being designed. This stage is called *design entry*. We will describe two design entry methods: using schematic capture and writing source code in a hardware description language.

### Schematic Capture

A logic circuit can be defined by drawing logic gates and interconnecting them with wires. A CAD tool for entering a designed circuit in this way is called a *schematic capture* tool. The word *schematic* refers to a diagram of a circuit in which circuit elements, such as logic gates, are depicted as graphical symbols and connections between circuit elements are drawn as lines.

A schematic capture tool uses the graphics capabilities of a computer and a computer mouse to allow the user to draw a schematic diagram. To facilitate inclusion of gates in the schematic, the tool provides a collection of graphical symbols that represent gates of various types with different numbers of inputs. This collection of symbols is called a *library*. The gates in the library can be imported into the user's schematic, and the tool provides a graphical way of interconnecting the gates to create a logic network.

Any subcircuits that have been previously created can be represented as graphical symbols and included in the schematic. In practice it is common for a CAD system user to create a circuit that includes within it other smaller circuits. This methodology is known as *hierarchical design* and provides a good way of dealing with the complexities of large circuits.

The schematic-capture method is simple to use, but becomes awkward when large circuits are involved. A better method for dealing with large circuits is to write source code using a hardware description language to represent the circuit.

### Hardware Description Languages

A *hardware description language (HDL)* is similar to a typical computer programming language except that an HDL is used to describe hardware rather than a program to be executed on a computer. Many commercial HDLs are available. Some are proprietary, meaning that they are provided by a particular company and can be used to implement circuits only in the technology offered by that company. We will not discuss the proprietary HDLs in this book. Instead, we will focus on a language that is supported by virtually all vendors that provide digital hardware technology and is officially endorsed as an *Institute of Electrical and Electronics Engineers (IEEE)* standard. The IEEE is a worldwide organization that promotes technical activities to the benefit of society in general. One of its activities involves the development of standards that define how certain technological concepts can be used in a way that is suitable for a large body of users.

Two HDLs are IEEE standards: *Verilog HDL* and *VHDL (Very High Speed Integrated Circuit Hardware Description Language)*. Both languages are in widespread use in the industry. We use Verilog in this book, but a VHDL version of the book is also available from the same publisher [4]. Although the two languages differ in many ways, the choice of using one or the other when studying logic circuits is not particularly important, because both offer similar features. Concepts illustrated in this book using Verilog can be directly applied when using VHDL.

In comparison to performing schematic capture, using Verilog offers a number of advantages. Because it is supported by most organizations that offer digital hardware technology, Verilog provides design *portability*. A circuit specified in Verilog can be implemented in different types of chips and with CAD tools provided by different companies, without having to change the Verilog specification. Design portability is an important advantage because digital circuit technology changes rapidly. By using a standard language, the designer can focus on the functionality of the desired circuit without being overly concerned about the details of the technology that will eventually be used for implementation.

Design entry of a logic circuit is done by writing Verilog code. Signals in the circuit can be represented as variables in the source code, and logic functions are expressed by assigning values to these variables. Verilog source code is plain text, which makes it easy for the designer to include within the code documentation that explains how the circuit works. This feature, coupled with the fact that Verilog is widely used, encourages sharing and reuse of Verilog-described circuits. This allows faster development of new products in cases where existing Verilog code can be adapted for use in the design of new circuits.

Similar to the way in which large circuits are handled in schematic capture, Verilog code can be written in a modular way that facilitates hierarchical design. Both small and large logic circuit designs can be efficiently represented in Verilog code.

Verilog design entry can be combined with other methods. For example, a schematic-capture tool can be used in which a subcircuit in the schematic is described using Verilog. We will introduce Verilog in Section 2.10.

## 2.9.2 LOGIC SYNTHESIS

Synthesis is the process of generating a logic circuit from an initial specification that may be given in the form of a schematic diagram or code written in a hardware description language. Synthesis CAD tools generate efficient implementations of circuits from such specifications.

The process of translating, or *compiling*, Verilog code into a network of logic gates is part of synthesis. The output is a set of logic expressions that describe the logic functions needed to realize the circuit.

Regardless of what type of design entry is used, the initial logic expressions produced by the synthesis tools are not likely to be in an optimal form because they reflect the designer's input to the CAD tools. It is impossible for a designer to manually produce optimal results for large circuits. So, one of the important tasks of the synthesis tools is to manipulate the user's design to automatically generate an equivalent, but better circuit.

The measure of what makes one circuit better than another depends on the particular needs of a design project and the technology chosen for implementation. Earlier in this chapter we suggested that a good circuit might be one that has the lowest cost. There are other possible optimization goals, which are motivated by the type of hardware technology used for implementation of the circuit. We discuss implementation technologies in Appendix B.

The performance of a synthesized circuit can be assessed by physically constructing the circuit and testing it. But, its behavior can also be evaluated by means of simulation.

### 2.9.3 FUNCTIONAL SIMULATION

A circuit represented in the form of logic expressions can be simulated to verify that it will function as expected. The tool that performs this task is called a *functional simulator*. It uses the logic expressions (often referred to as equations) generated during synthesis, and assumes that these expressions will be implemented with perfect gates through which signals propagate instantaneously. The simulator requires the user to specify valuations of the circuit's inputs that should be applied during simulation. For each valuation, the simulator evaluates the outputs produced by the expressions. The results of simulation are usually provided in the form of a timing diagram which the user can examine to verify that the circuit operates as required.

### 2.9.4 PHYSICAL DESIGN

After logic synthesis the next step in the design flow is to determine exactly how to implement the circuit on a given chip. This step is often called *physical design*. As we discuss in Appendix B, there are several different technologies that may be used to implement logic circuits. The physical design tools map a circuit specified in the form of logic expressions into a realization that makes use of the resources available on the target chip. They determine the placement of specific logic elements, which are not necessarily simple gates of the type we have encountered so far. They also determine the wiring connections that have to be made between these elements to implement the desired circuit.

### 2.9.5 TIMING SIMULATION

Logic gates and other logic elements are implemented with electronic circuits, and these circuits cannot perform their function with zero delay. When the values of inputs to the circuit change, it takes a certain amount of time before a corresponding change occurs at the output. This is called a *propagation delay* of the circuit. The propagation delay consists of two kinds of delays. Each logic element needs some time to generate a valid output signal whenever there are changes in the values of its inputs. In addition to this delay, there is a delay caused by signals that must propagate along wires that connect various logic elements. The combined effect is that real circuits exhibit delays, which has a significant impact on their speed of operation.

A *timing simulator* evaluates the expected delays of a designed logic circuit. Its results can be used to determine if the generated circuit meets the timing requirements of the specification for the design. If the requirements are not met, the designer can ask the physical design tools to try again by indicating specific timing constraints that have to be met. If this does not succeed, then the designer has to try different optimizations in the synthesis step, or else improve the initial design that is presented to the synthesis tools.

### 2.9.6 CIRCUIT IMPLEMENTATION

Having ascertained that the designed circuit meets all requirements of the specification, the circuit is implemented on an actual chip. If a custom-manufactured chip is created for this design, then this step is called *chip fabrication*. But if a programmable hardware device is used, then this step is called *chip configuration* or *programming*. Various types of chip technologies are described in Appendix B.

### 2.9.7 COMPLETE DESIGN FLOW

The CAD tools discussed above are the essential parts of a CAD system. The complete design flow that we discussed is illustrated in Figure 2.35. This has been just a brief introductory discussion. A full presentation of the CAD tools is given in Chapter 10.

At this point the reader should have some appreciation for what is involved when using CAD tools. However, the tools can be fully appreciated only when they are used firsthand. We strongly encourage the reader to obtain access to suitable CAD tools and implement some examples of circuits by using these tools. Two examples of commonly-used CAD tools are the Quartus II tools available from Altera Corporation and the ISE tools provided by Xilinx Corporation. Both of these CAD systems can be obtained free-of-charge for educational use from their respective corporations' websites.

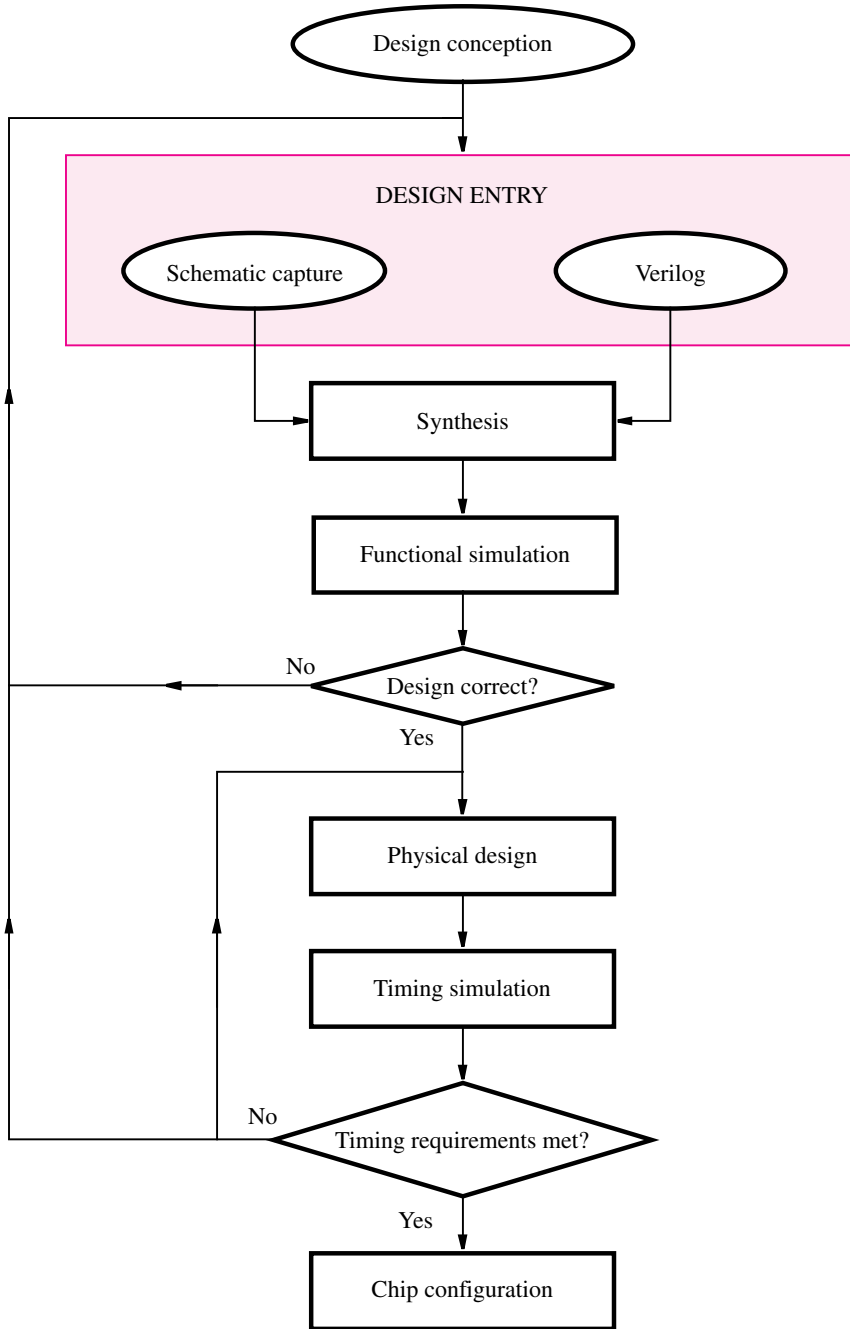
---

## 2.10 INTRODUCTION TO VERILOG

In the 1980s rapid advances in integrated circuit technology lead to efforts to develop standard design practices for digital circuits. Verilog was produced as a part of that effort. The original version of Verilog was developed by Gateway Design Automation, which was later acquired by Cadence Design Systems. In 1990 Verilog was put into the public domain, and it has since become one of the most popular languages for describing digital circuits. In 1995 Verilog was adopted as an official IEEE Standard, called 1364-1995. An enhanced version of Verilog, called Verilog 2001, was adopted as IEEE Standard 1364-2001 in 2001. While this version introduced a number of new features, it also supports all of the features in the original Verilog standard.

Verilog was originally intended for simulation and verification of digital circuits. Subsequently, with the addition of synthesis capability, Verilog has also become popular for use in design entry in CAD systems. The CAD tools are used to synthesize the Verilog code into a hardware implementation of the described circuit. In this book our main use of Verilog will be for synthesis.

Verilog is a complex, sophisticated language. Learning all of its features is a daunting task. However, for use in synthesis only a subset of these features is important. To simplify the presentation, we will focus the discussion on the features of the Verilog language that are actually used in the examples in the book. The material presented is sufficient to allow the reader to design a wide range of circuits. The reader who wishes to learn the complete Verilog language can refer to one of the specialized texts [5–11].



**Figure 2.35** A typical CAD system.

Verilog is introduced in several stages throughout the book. Our general approach will be to introduce particular features only when they are relevant to the design topics covered in that part of the text. In Appendix A we provide a concise summary of the Verilog features covered in the book. The reader will find it convenient to refer to that material from time to time. In the remainder of this chapter we discuss the most basic concepts needed to write simple Verilog code.

### Representation of Digital Circuits in Verilog

When using CAD tools to synthesize a logic circuit, the designer can provide the initial description of the circuit in several different ways, as we explained in the previous section. One efficient way is to write this description in the form of Verilog source code. The Verilog compiler translates this code into a logic circuit.

Verilog allows the designer to describe a desired circuit in a number of ways. One possibility is to use Verilog constructs that describe the structure of the circuit in terms of circuit elements, such as logic gates. A larger circuit is defined by writing code that connects such elements together. This approach is referred to as the *structural* representation of logic circuits. Another possibility is to describe a circuit more abstractly, by using logic expressions and Verilog programming constructs that define the desired behavior of the circuit, but not its actual structure in terms of gates. This is called the *behavioral* representation.

## 2.10.1 STRUCTURAL SPECIFICATION OF LOGIC CIRCUITS

Verilog includes a set of *gate-level primitives* that correspond to commonly-used logic gates. A gate is represented by indicating its functional name, output, and inputs. For example, a two-input AND gate, with output  $y$  and inputs  $x_1$  and  $x_2$ , is denoted as

```
and (y, x1, x2);
```

A four-input OR gate is specified as

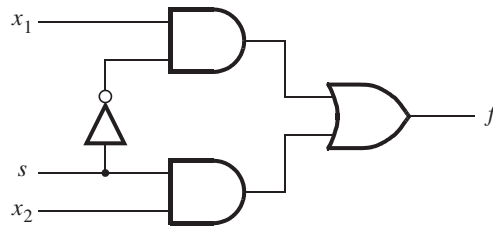
```
or (y, x1, x2, x3, x4);
```

The keywords **nand** and **nor** are used to define the NAND and NOR gates in the same way. The NOT gate given by

```
not (y, x);
```

implements  $y = \bar{x}$ . The gate-level primitives can be used to specify larger circuits. All of the available Verilog gate-level primitives are listed in Table A.2 in Appendix A.

A logic circuit is specified in the form of a *module* that contains the statements that define the circuit. A module has inputs and outputs, which are referred to as its *ports*. The word port is a commonly-used term that refers to an input or output connection to an electronic circuit. Consider the multiplexer circuit from Figure 2.33b, which is reproduced in Figure 2.36. This circuit can be represented by the Verilog code in Figure 2.37. The first statement gives the module a name, *example1*, and indicates that there are four port signals. The next two statements declare that  $x_1$ ,  $x_2$ , and  $s$  are to be treated as **input** signals,



**Figure 2.36** The logic circuit for a multiplexer.

```

module example1 (x1, x2, s, f);
  input x1, x2, s;
  output f;

  not (k, s);
  and (g, k, x1);
  and (h, s, x2);
  or (f, g, h);

endmodule

```

**Figure 2.37** Verilog code for the circuit in Figure 2.36.

while  $f$  is the **output**. The actual structure of the circuit is specified in the four statements that follow. The NOT gate gives  $k = \bar{s}$ . The AND gates produce  $g = \bar{s}x_1$  and  $h = sx_2$ . The outputs of AND gates are combined in the OR gate to form

$$\begin{aligned}
 f &= g + h \\
 &= \bar{s}x_1 + sx_2
 \end{aligned}$$

The module ends with the **endmodule** statement. We have written the Verilog keywords in bold type to make the text easier to read. We will continue this practice throughout the book.

A second example of Verilog code is given in Figure 2.38. It defines a circuit that has four input signals,  $x_1$ ,  $x_2$ ,  $x_3$ , and  $x_4$ , and three output signals,  $f$ ,  $g$ , and  $h$ . It implements the logic functions

$$\begin{aligned}
 g &= x_1x_3 + x_2x_4 \\
 h &= (x_1 + \bar{x}_3)(\bar{x}_2 + x_4) \\
 f &= g + h
 \end{aligned}$$



```

module example2 (x1, x2, x3, x4, f, g, h);
  input x1, x2, x3, x4;
  output f, g, h;

  and (z1, x1, x3);
  and (z2, x2, x4);
  or (g, z1, z2);
  or (z3, x1, ~x3);
  or (z4, ~x2, x4);
  and (h, z3, z4);
  or (f, g, h);

endmodule

```

**Figure 2.38** Verilog code for a four-input circuit.

Instead of using explicit NOT gates to define  $\bar{x}_2$  and  $\bar{x}_3$ , we have used the Verilog operator “~” (tilde character on the keyboard) to denote complementation. Thus,  $\bar{x}_2$  is indicated as ~x2 in the code. The circuit produced by the Verilog compiler for this example is shown in Figure 2.39.

### Verilog Syntax

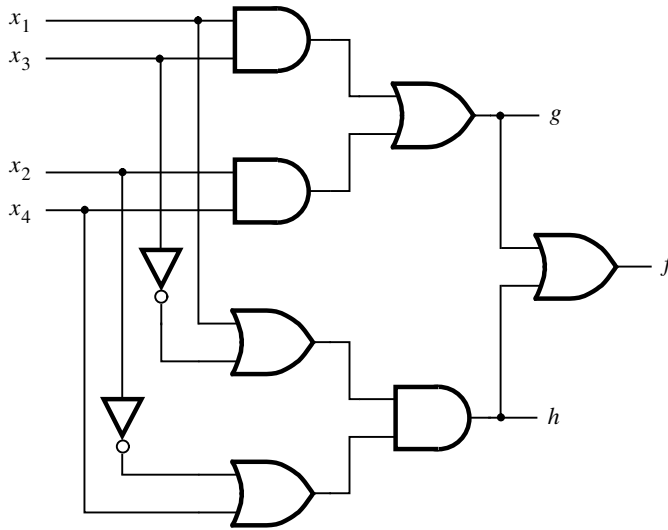
The names of modules and signals in Verilog code follow two simple rules: the name must start with a letter, and it can contain any letter or number plus the “\_” underscore and “\$” characters. Verilog is case sensitive. Thus, the name *k* is not the same as *K* and *Example1* is not the same as *example1*. The Verilog syntax does not enforce a particular style of code. For example, multiple statements can appear on a single line. White space characters, such as SPACE and TAB, and blank lines are ignored. As a matter of good style, code should be formatted in such a way that it is easy to read. Indentation and blank lines can be used to make separate parts of the code easily recognizable, as we have done in Figures 2.37 and 2.38. Comments may be included in the code to improve its readability. A comment begins with the double slash “//” and continues to the end of the line.

## 2.10.2 BEHAVIORAL SPECIFICATION OF LOGIC CIRCUITS

Using gate-level primitives can be tedious when large circuits have to be designed. An alternative is to use more abstract expressions and programming constructs to describe the behavior of a logic circuit. One possibility is to define the circuit using logic expressions. Figure 2.40 shows how the circuit in Figure 2.36 can be defined with the expression

$$f = \bar{s}x_1 + sx_2$$

The AND and OR operations are indicated by the “&” and “|” Verilog operators, respectively. The *assign* keyword provides a *continuous assignment* for the signal *f*. The word continuous



**Figure 2.39** Logic circuit for the code in Figure 2.38.

```

module example3 (x1, x2, s, f);
  input x1, x2, s;
  output f;

  assign f = (~s & x1) | (s & x2);

endmodule

```

**Figure 2.40** Using the continuous assignment to specify the circuit in Figure 2.36.

stems from the use of Verilog for simulation; whenever any signal on the right-hand side changes its state, the value of  $f$  will be re-evaluated. The effect is equivalent to using the gate-level primitives in Figure 2.37. Following this approach, the circuit in Figure 2.39 can be specified as shown in Figure 2.41.

Using logic expressions makes it easier to write Verilog code. But even higher levels of abstraction can often be used to advantage. Consider again the multiplexer circuit of Figure 2.36. The circuit can be described in words by saying that  $f = x_1$  if  $s = 0$  and  $f = x_2$  if  $s = 1$ . In Verilog, this behavior can be defined with the **if-else** statement

```

if (s == 0)
  f = x1;
else
  f = x2;

```

```

module example4 (x1, x2, x3, x4, f, g, h);
  input x1, x2, x3, x4;
  output f, g, h;

  assign g = (x1 & x3) | (x2 & x4);
  assign h = (x1 | ~x3) & (~x2 | x4);
  assign f = g | h;

endmodule

```

**Figure 2.41** Using the continuous assignment to specify the circuit in Figure 2.39.

```

// Behavioral specification
module example5 (x1, x2, s, f);
  input x1, x2, s;
  output f;
  reg f;

  always @(x1 or x2 or s)
    if (s == 0)
      f = x1;
    else
      f = x2;

endmodule

```

**Figure 2.42** Behavioral specification of the circuit in Figure 2.36.

The complete code is given in Figure 2.42. The first line illustrates how a comment can be inserted. The **if-else** statement is an example of a Verilog *procedural* statement. We will introduce other procedural statements, such as loop statements, in Chapters 3 and 4.

Verilog syntax requires that procedural statements be contained inside a construct called an **always** block, as shown in Figure 2.42. An **always** block can contain a single statement, as in this example, or it can contain multiple statements. A typical Verilog design module may include several **always** blocks, each representing a part of the circuit being modeled. An important property of the **always** block is that the statements it contains are evaluated in the order given in the code. This is in contrast to the continuous assignment statements, which are evaluated concurrently and hence have no meaningful order.

The part of the **always** block after the @ symbol, in parentheses, is called the *sensitivity list*. This list has its roots in the use of Verilog for simulation. The statements inside an **always** block are executed by the simulator only when one or more of the signals in

the sensitivity list changes value. In this way, the complexity of a simulation process is simplified, because it is not necessary to execute every statement in the code at all times. When Verilog is being employed for synthesis of circuits, as in this book, the sensitivity list simply tells the Verilog compiler which signals can directly affect the outputs produced by the **always** block.

If a signal is assigned a value using procedural statements, then Verilog syntax requires that it be declared as a *variable*; this is accomplished by using the keyword **reg** in Figure 2.42. This term also derives from the simulation jargon: It means that, once a variable's value is assigned with a procedural statement, the simulator "registers" this value and it will not change until the **always** block is executed again. We will discuss this issue in detail in Chapter 3.

Instead of using a separate statement to declare that the variable *f* is of **reg** type in Figure 2.42, we can alternatively use the syntax

```
output reg f;
```

which combines these two statements. Also, Verilog 2001 adds the ability to declare a signal's direction and type directly in the module's list of ports. This style of code is illustrated in Figure 2.43. In the sensitivity list of the **always** statement we can use commas instead of the word **or**, which is also illustrated in Figure 2.43. Moreover, instead of listing the relevant signals in the sensitivity list, it is possible to write simply

```
always @(*)
```

or even more simply

```
always @*
```

assuming that the compiler will figure out which signals need to be considered.

Behavioral specification of a logic circuit defines only its behavior. CAD synthesis tools use this specification to construct the actual circuit. The detailed structure of the synthesized circuit will depend on the technology used.

```
// Behavioral specification
module example5 (input x1, x2, s, output reg f);

    always @(x1, x2, s)
        if (s == 0)
            f = x1;
        else
            f = x2;

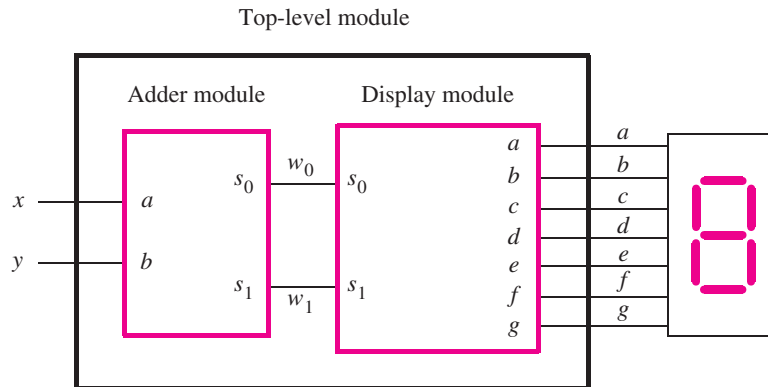
endmodule
```

**Figure 2.43** A more compact version of the code in Figure 2.42.

### 2.10.3 HIERARCHICAL VERILOG CODE

The examples of Verilog code given so far include just a single module. For larger designs, it is often convenient to create a hierarchical structure in the Verilog code, in which there is a *top-level* module that includes multiple instances of *lower-level* modules. To see how hierarchical Verilog code can be written consider the circuit in Figure 2.44. This circuit comprises two lower-level modules: the adder module that we described in Figure 2.12, and the module that drives a 7-segment display which we showed in Figure 2.34. The purpose of the circuit is to generate the arithmetic sum of the two inputs  $x$  and  $y$ , using the *adder* module, and then to show the resulting decimal value on the 7-segment display.

Verilog code for the *adder* module from Figure 2.12 and the *display* module from Figure 2.34 is given in Figures 2.45 and 2.46, respectively. For the *adder* module continuous assignment statements are used to specify the two-bit sum  $s_1s_0$ . The assignment statement for  $s_0$  uses the Verilog XOR operator, which is specified as  $s_0 = a \wedge b$ . The code for the *display* module includes continuous assignment statements that correspond to the



**Figure 2.44** A logic circuit with two modules.

```
// An adder module
module adder (a, b, s1, s0);
  input a, b;
  output s1, s0;

  assign s1 = a & b;
  assign s0 = a ^ b;

endmodule
```

**Figure 2.45** Verilog specification of the circuit in Figure 2.12.

```
// A module for driving a 7-segment display
module display (s1, s0, a, b, c, d, e, f, g);
  input s1, s0;
  output a, b, c, d, e, f, g;

  assign a = ~s0;
  assign b = 1;
  assign c = ~s1;
  assign d = ~s0;
  assign e = ~s0;
  assign f = ~s1 & ~s0;
  assign g = s1 & ~s0;

endmodule
```

**Figure 2.46** Verilog specification of the circuit in Figure 2.34.

```
module adder_display (x, y, a, b, c, d, e, f, g);
  input x, y;
  output a, b, c, d, e, f, g;
  wire w1, w0;

  adder U1 (x, y, w1, w0);
  display U2 (w1, w0, a, b, c, d, e, f, g);

endmodule
```

**Figure 2.47** Hierarchical Verilog code for the circuit in Figure 2.44.

logic expressions for each of the seven outputs of the display circuit, which are given in Section 2.8.3. The statement

```
assign b = 1;
```

assigns the output  $b$  of the display module to have the constant value 1. We discuss the specification of numbers in Verilog code in Chapter 3.

The top-level Verilog module, named *adder\_display*, is given in Figure 2.47. This module has the inputs  $x$  and  $y$ , and the outputs  $a, \dots, g$ . The statement

```
wire w1, w0;
```

is needed because the signals  $w_1$  and  $w_0$  are neither inputs nor outputs of the circuit in Figure 2.44. Since these signals cannot be declared as input or output ports in the Verilog

code, they have to be declared as (internal) *wires*. The statement

```
adder U1 (x, y, w1, w0);
```

*instantiates* the *adder* module from Figure 2.45 as a submodule. The submodule is given a name, U1, which can be any valid Verilog name. In this instantiation statement the signals attached to the ports of the *adder* submodule are listed in the same order as those in Figure 2.45. Thus, the input ports *x* and *y* of the top-level module in Figure 2.47 are connected to the first two ports of *adder*, which are named *a* and *b*. The order in which signals are listed in the instantiation statement determines which signal is connected to each port in the submodule. The instantiation statement also attaches the last two ports of the *adder* submodule, which are its outputs, to the wires *w1* and *w0* in the top-level module. The statement

```
display U2 (w1, w0, a, b, c, d, e, f, g);
```

*instantiates* the other submodule in our circuit. Here, the wires *w1* and *w0*, which have already been connected to the outputs of the *adder* submodule, are attached to the corresponding input ports of the *display* submodule. The *display* submodule's output ports are attached to the *a*, . . . , *g* output ports of the top-level module.

#### 2.10.4 HOW NOT TO WRITE VERILOG CODE

When learning how to use Verilog or other hardware description languages, the tendency for the novice is to write code that resembles a computer program, containing many variables and loops. It is difficult to determine what logic circuit the CAD tools will produce when synthesizing such code. This book contains more than 100 examples of complete Verilog code that represent a wide range of logic circuits. In these examples the code is easily related to the described logic circuit. The reader is advised to adopt the same style of code. A good general guideline is to assume that if the designer cannot readily determine what logic circuit is described by the Verilog code, then the CAD tools are not likely to synthesize the circuit that the designer is trying to model.

Once complete Verilog code is written for a particular design, the reader is encouraged to analyze the resulting circuit produced by the CAD synthesis tools; typical CAD systems provide graphical viewing tools that can display a logic circuit that corresponds to the output produced by the Verilog compiler. Much can be learned about Verilog, logic circuits, and logic synthesis through this process. We provide additional guidelines for writing Verilog code in Appendix A.

---

## 2.11 MINIMIZATION AND KARNAUGH MAPS

In a number of our examples we have used algebraic manipulation to find a reduced-cost implementation of a function in either sum-of-products or product-of-sums form. In these examples, we made use of the rules, theorems, and properties of Boolean algebra that

Row number	$x_1$	$x_2$	$x_3$	$f$
0	0	0	0	1
1	0	0	1	0
2	0	1	0	1
3	0	1	1	0
4	1	0	0	1
5	1	0	1	1
6	1	1	0	1
7	1	1	1	0

**Figure 2.48** The function  $f(x_1, x_2, x_3) = \sum m(0, 2, 4, 5, 6)$ .

were introduced in Section 2.5. For example, we often used the distributive property, DeMorgan's theorem, and the combining property. In general, it is not obvious when to apply these theorems and properties to find a minimum-cost circuit, and it is often tedious and impractical to do so. This section introduces a more manageable approach, call the *Karnaugh map*, which provides a systematic way of producing a minimum-cost logic expression.

The key to the Karnaugh map approach is that it allows the application of the combining property 14a, or 14b, as judiciously as possible. To understand how it works consider the function  $f$  in Figure 2.48. The canonical sum-of-products expression for  $f$  consists of minterms  $m_0, m_2, m_4, m_5$ , and  $m_6$ , so that

$$f = \bar{x}_1\bar{x}_2\bar{x}_3 + \bar{x}_1x_2\bar{x}_3 + x_1\bar{x}_2\bar{x}_3 + x_1\bar{x}_2x_3 + x_1x_2\bar{x}_3$$

The combining property 14a allows us to replace two minterms that differ in the value of only one variable with a single product term that does not include that variable at all. For example, both  $m_0$  and  $m_2$  include  $\bar{x}_1$  and  $\bar{x}_3$ , but they differ in the value of  $x_2$  because  $m_0$  includes  $\bar{x}_2$  while  $m_2$  includes  $x_2$ . Thus

$$\begin{aligned} \bar{x}_1\bar{x}_2\bar{x}_3 + \bar{x}_1x_2\bar{x}_3 &= \bar{x}_1(\bar{x}_2 + x_2)\bar{x}_3 \\ &= \bar{x}_1 \cdot 1 \cdot \bar{x}_3 \\ &= \bar{x}_1\bar{x}_3 \end{aligned}$$

Hence  $m_0$  and  $m_2$  can be replaced by the single product term  $\bar{x}_1\bar{x}_3$ . Similarly,  $m_4$  and  $m_6$  differ only in the value of  $x_2$  and can be combined using

$$\begin{aligned} x_1\bar{x}_2\bar{x}_3 + x_1x_2\bar{x}_3 &= x_1(\bar{x}_2 + x_2)\bar{x}_3 \\ &= x_1 \cdot 1 \cdot \bar{x}_3 \\ &= x_1\bar{x}_3 \end{aligned}$$



Now the two newly-generated terms,  $\bar{x}_1\bar{x}_3$  and  $x_1\bar{x}_3$ , can be combined further as

$$\begin{aligned}\bar{x}_1\bar{x}_3 + x_1\bar{x}_3 &= (\bar{x}_1 + x_1)\bar{x}_3 \\ &= 1 \cdot \bar{x}_3 \\ &= \bar{x}_3\end{aligned}$$

These optimization steps indicate that we can replace the four minterms  $m_0$ ,  $m_2$ ,  $m_4$ , and  $m_6$  with the single product term  $\bar{x}_3$ . In other words, the minterms  $m_0$ ,  $m_2$ ,  $m_4$ , and  $m_6$  are all *included* in the term  $\bar{x}_3$ . The remaining minterm in  $f$  is  $m_5$ . It can be combined with  $m_4$ , which gives

$$x_1\bar{x}_2\bar{x}_3 + x_1\bar{x}_2x_3 = x_1\bar{x}_2$$

Recall that theorem 7*b* in Section 2.5 indicates that

$$m_4 = m_4 + m_4$$

which means that we can use the minterm  $m_4$  twice—to combine with minterms  $m_0$ ,  $m_2$ , and  $m_6$  to yield the term  $\bar{x}_3$  as explained above and also to combine with  $m_5$  to yield the term  $x_1\bar{x}_2$ .

We have now accounted for all the minterms in  $f$ ; hence all five input valuations for which  $f = 1$  are covered by the minimum-cost expression

$$f = \bar{x}_3 + x_1\bar{x}_2$$

The expression has the product term  $\bar{x}_3$  because  $f = 1$  when  $x_3 = 0$  regardless of the values of  $x_1$  and  $x_2$ . The four minterms  $m_0$ ,  $m_2$ ,  $m_4$ , and  $m_6$  represent all possible minterms for which  $x_3 = 0$ ; they include all four valuations, 00, 01, 10, and 11, of variables  $x_1$  and  $x_2$ . Thus if  $x_3 = 0$ , then it is guaranteed that  $f = 1$ . This may not be easy to see directly from the truth table in Figure 2.48, but it is obvious if we write the corresponding valuations grouped together:

	$x_1$	$x_2$	$x_3$
$m_0$	0	0	0
$m_2$	0	1	0
$m_4$	1	0	0
$m_6$	1	1	0

In a similar way, if we look at  $m_4$  and  $m_5$  as a group of two

	$x_1$	$x_2$	$x_3$
$m_4$	1	0	0
$m_5$	1	0	1

it is clear that when  $x_1 = 1$  and  $x_2 = 0$ , then  $f = 1$  regardless of the value of  $x_3$ .

$x_1$	$x_2$	
0	0	$m_0$
0	1	$m_1$
1	0	$m_2$
1	1	$m_3$

(a) Truth table
(b) Karnaugh map

**Figure 2.49** Location of two-variable minterms.

The preceding discussion suggests that it would be advantageous to devise a method that allows easy discovery of groups of minterms for which  $f = 1$  that can be combined into single terms. The Karnaugh map is a useful vehicle for this purpose.

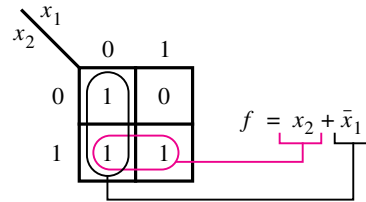
The *Karnaugh map* [1] is an alternative to the truth-table form for representing a function. The map consists of *cells* that correspond to the rows of the truth table. Consider the two-variable example in Figure 2.49. Part (a) depicts the truth-table form, where each of the four rows is identified by a minterm. Part (b) shows the Karnaugh map, which has four cells. The columns of the map are labeled by the value of  $x_1$ , and the rows are labeled by  $x_2$ . This labeling leads to the locations of minterms as shown in the figure. Compared to the truth table, the advantage of the Karnaugh map is that it allows easy recognition of minterms that can be combined using property 14a from Section 2.5. Minterms in any two cells that are adjacent, either in the same row or the same column, can be combined. For example, the minterms  $m_2$  and  $m_3$  can be combined as

$$\begin{aligned}
 m_2 + m_3 &= x_1\bar{x}_2 + x_1x_2 \\
 &= x_1(\bar{x}_2 + x_2) \\
 &= x_1 \cdot 1 \\
 &= x_1
 \end{aligned}$$

The Karnaugh map is not just useful for combining pairs of minterms. As we will see in several larger examples, the Karnaugh map can be used directly to derive a minimum-cost circuit for a logic function.

### Two-Variable Map

A Karnaugh map for a two-variable function is given in Figure 2.50. It corresponds to the function  $f$  of Figure 2.19. The value of  $f$  for each valuation of the variables  $x_1$  and  $x_2$  is indicated in the corresponding cell of the map. Because a 1 appears in both cells of the bottom row and these cells are adjacent, there exists a single product term that can cause  $f$  to be equal to 1 when the input variables have the values that correspond to either of these cells. To indicate this fact, we have circled the cell entries in the map. Rather than using the combining property formally, we can derive the product term intuitively. Both of the cells are identified by  $x_2 = 1$ , but  $x_1 = 0$  for the left cell and  $x_1 = 1$  for the right cell.



**Figure 2.50** The function of Figure 2.19.

Thus if  $x_2 = 1$ , then  $f = 1$  regardless of whether  $x_1$  is equal to 0 or 1. The product term representing the two cells is simply  $x_2$ .

Similarly,  $f = 1$  for both cells in the first column. These cells are identified by  $x_1 = 0$ . Therefore, they lead to the product term  $\bar{x}_1$ . Since this takes care of all instances where  $f = 1$ , it follows that the minimum-cost realization of the function is

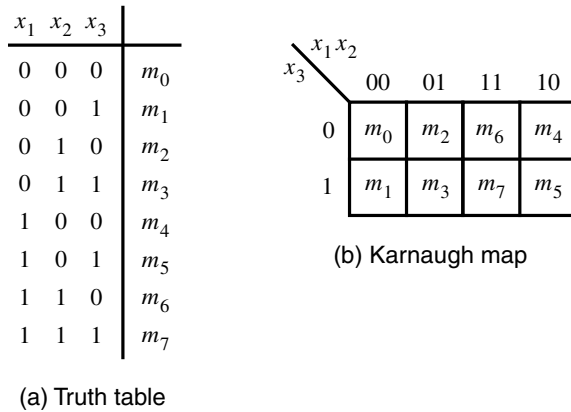
$$f = x_2 + \bar{x}_1$$

Evidently, to find a minimum-cost implementation of a given function, it is necessary to find the smallest number of product terms that produce a value of 1 for all cases where  $f = 1$ . Moreover, the cost of these product terms should be as low as possible. Note that a product term that covers two adjacent cells is cheaper to implement than a term that covers only a single cell. For our example once the two cells in the bottom row have been covered by the product term  $x_2$ , only one cell (top left) remains. Although it could be covered by the term  $\bar{x}_1\bar{x}_2$ , it is better to combine the two cells in the left column to produce the product term  $\bar{x}_1$  because this term is cheaper to implement.

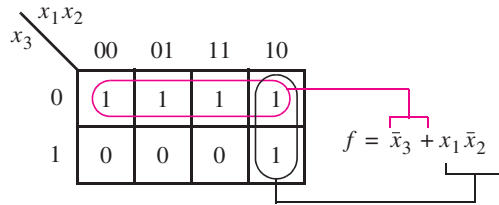
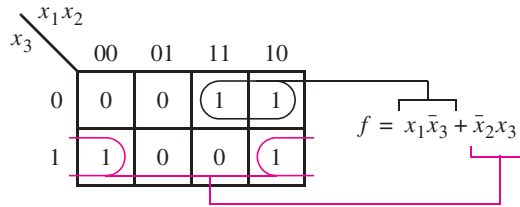
### Three-Variable Map

A three-variable Karnaugh map is constructed by placing 2 two-variable maps side by side. Figure 2.51a lists all of the three-variable minterms, and part (b) of the figure indicates the locations of these minterms in the Karnaugh map. In this case each valuation of  $x_1$  and  $x_2$  identifies a column in the map, while the value of  $x_3$  distinguishes the two rows. To ensure that minterms in the adjacent cells in the map can always be combined into a single product term, the adjacent cells must differ in the value of only one variable. Thus the columns are identified by the sequence of  $(x_1, x_2)$  values of 00, 01, 11, and 10, rather than the more obvious 00, 01, 10, and 11. This makes the second and third columns different only in variable  $x_1$ . Also, the first and the fourth columns differ only in variable  $x_1$ , which means that these columns can be considered as being adjacent. The reader may find it useful to visualize the map as a rectangle folded into a cylinder where the left and the right edges in Figure 2.51b are made to touch. (A sequence of codes, or valuations, where consecutive codes differ in one variable only is known as the *Gray code*. This code is used for a variety of purposes, some of which will be encountered later in the book.)

Figure 2.52a represents the function of Figure 2.23 in Karnaugh-map form. To synthesize this function, it is necessary to cover the four 1s in the map as efficiently as possible. It is not difficult to see that two product terms suffice. The first covers the 1s in the top row,



**Figure 2.51** Location of three-variable minterms.



**Figure 2.52** Examples of three-variable Karnaugh maps.

which are represented by the term  $x_1\bar{x}_3$ . The second term is  $\bar{x}_2x_3$ , which covers the 1s in the bottom row. Hence the function is implemented as

$$f = x_1\bar{x}_3 + \bar{x}_2x_3$$

which describes the circuit obtained in Figure 2.24a.

In a three-variable map it is possible to combine cells to produce product terms that correspond to a single cell, two adjacent cells, or a group of four adjacent cells. Realization

of a group of four adjacent cells using a single product term is illustrated in Figure 2.52b, using the function from Figure 2.48. The four cells in the top row correspond to the  $(x_1, x_2, x_3)$  valuations 000, 010, 110, and 100. As we discussed before, this indicates that if  $x_3 = 0$ , then  $f = 1$  for all four possible valuations of  $x_1$  and  $x_2$ , which means that the only requirement is that  $x_3 = 0$ . Therefore, the product term  $\bar{x}_3$  represents these four cells. The remaining 1, corresponding to minterm  $m_5$ , is best covered by the term  $x_1\bar{x}_2$ , obtained by combining the two cells in the right-most column. The complete realization of  $f$  is

$$f = \bar{x}_3 + x_1\bar{x}_2$$

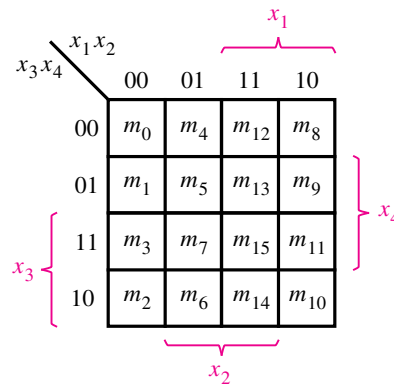
It is also possible to have a group of eight 1s in a three-variable map. This is the trivial case of a function where  $f = 1$  for all valuations of input variables; in other words,  $f$  is equal to the constant 1.

The Karnaugh map provides a simple mechanism for generating the product terms that should be used to implement a given function. A product term must include only those variables that have the same value for all cells in the group represented by this term. If the variable is equal to 1 in the group, it appears uncomplemented in the product term; if it is equal to 0, it appears complemented. Each variable that is sometimes 1 and sometimes 0 in the group does not appear in the product term.

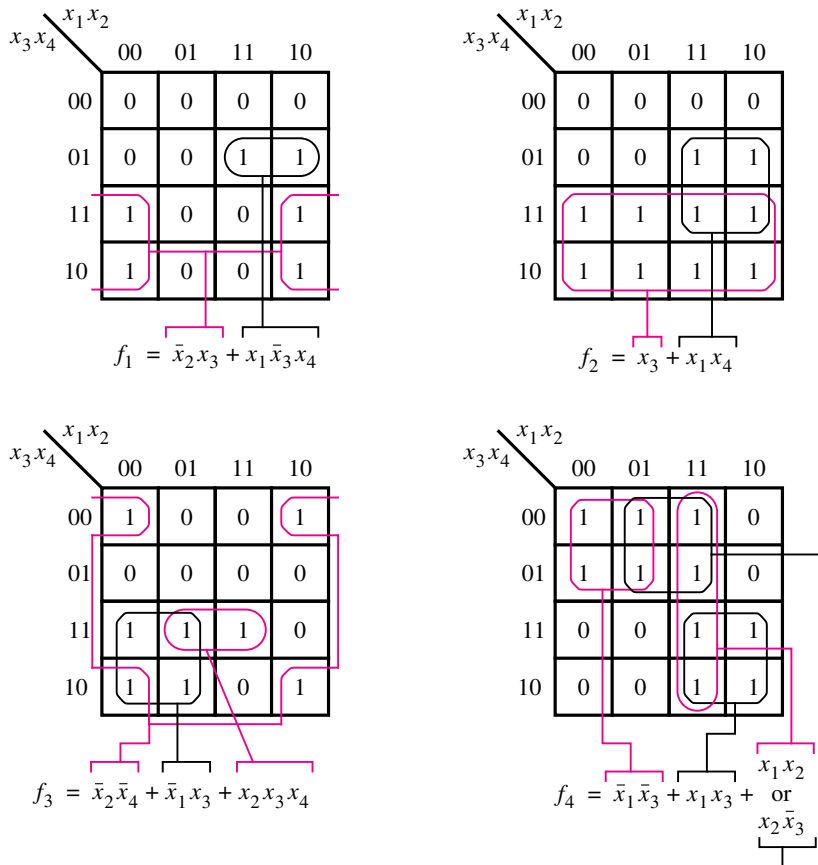
### Four-Variable Map

A four-variable map is constructed by placing 2 three-variable maps together to create four rows in the same fashion as we used 2 two-variable maps to form the four columns in a three-variable map. Figure 2.53 shows the structure of the four-variable map and the location of minterms. We have included in this figure another frequently used way of designating the rows and columns. As shown in blue, it is sufficient to indicate the rows and columns for which a given variable is equal to 1. Thus  $x_1 = 1$  for the two right-most columns,  $x_2 = 1$  for the two middle columns,  $x_3 = 1$  for the bottom two rows, and  $x_4 = 1$  for the two middle rows.

Figure 2.54 gives four examples of four-variable functions. The function  $f_1$  has a group of four 1s in adjacent cells in the bottom two rows, for which  $x_2 = 0$  and  $x_3 = 1$ —they are



**Figure 2.53** A four-variable Karnaugh map.



**Figure 2.54** Examples of four-variable Karnaugh maps.

represented by the product term  $\bar{x}_2x_3$ . This leaves the two 1s in the second row to be covered, which can be accomplished with the term  $x_1\bar{x}_3x_4$ . Hence the minimum-cost implementation of the function is

$$f_1 = \bar{x}_2x_3 + x_1\bar{x}_3x_4$$

The function  $f_2$  includes a group of eight 1s that can be implemented by a single term,  $x_3$ . Again, the reader should note that if the remaining two 1s were implemented as a group of two, the result would be the product term  $x_1\bar{x}_3x_4$ . Implementing these 1s as a part of a group of four 1s, as shown in the figure, gives the less expensive product term  $x_1x_4$ .

Just as the left and the right edges of the map are adjacent in terms of the assignment of the variables, so are the top and the bottom edges. Indeed, the four corners of the map are adjacent to each other and thus can form a group of four 1s, which may be implemented by the product term  $\bar{x}_2\bar{x}_4$ . This case is depicted by the function  $f_3$ . In addition to this group

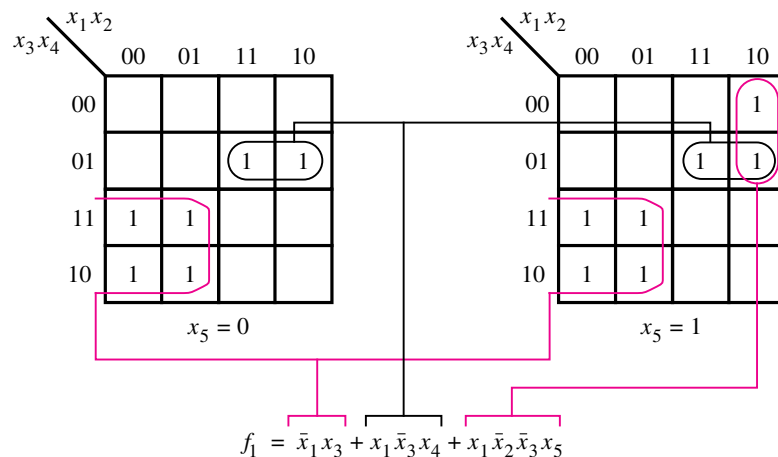
of 1s, there are four other 1s that must be covered to implement  $f_3$ . This can be done as shown in the figure.

In all examples that we have considered so far, a unique solution exists that leads to a minimum-cost circuit. The function  $f_4$  provides an example where there is some choice. The groups of four 1s in the top-left and bottom-right corners of the map are realized by the terms  $\bar{x}_1\bar{x}_3$  and  $x_1x_3$ , respectively. This leaves the two 1s that correspond to the term  $x_1x_2\bar{x}_3$ . But these two 1s can be realized more economically by treating them as a part of a group of four 1s. They can be included in two different groups of four, as shown in the figure. One choice leads to the product term  $x_1x_2$ , and the other leads to  $x_2\bar{x}_3$ . Both of these terms have the same cost; hence it does not matter which one is chosen in the final circuit. Note that the complement of  $x_3$  in the term  $x_2\bar{x}_3$  does not imply an increased cost in comparison with  $x_1x_2$ , because this complement must be generated anyway to produce the term  $\bar{x}_1\bar{x}_3$ , which is included in the implementation.

### Five-Variable Map

We can use 2 four-variable maps to construct a five-variable map. It is easy to imagine a structure where one map is directly behind the other, and they are distinguished by  $x_5 = 0$  for one map and  $x_5 = 1$  for the other map. Since such a structure is awkward to draw, we can simply place the two maps side by side as shown in Figure 2.55. For the logic function given in this example, two groups of four 1s appear in the same place in both four-variable maps; hence their realization does not depend on the value of  $x_5$ . The same is true for the two groups of two 1s in the second row. The 1 in the top-right corner appears only in the right map, where  $x_5 = 1$ ; it is a part of the group of two 1s realized by the term  $x_1\bar{x}_2\bar{x}_3x_5$ . Note that in this map we left blank those cells for which  $f = 0$ , to make the figure more readable. We will do likewise in a number of maps that follow.

Using a five-variable map is obviously more awkward than using maps with fewer variables. Extending the Karnaugh map concept to more variables is not useful from



**Figure 2.55** A five-variable Karnaugh map.

the practical point of view. This is not troublesome, because practical synthesis of logic functions is done with CAD tools that perform the necessary minimization automatically. Although Karnaugh maps are occasionally useful for designing small logic circuits, our main reason for introducing the Karnaugh maps is to provide a simple vehicle for illustrating the ideas involved in the minimization process.

---

## 2.12 STRATEGY FOR MINIMIZATION

For the examples in the preceding section, we used an intuitive approach to decide how the 1s in a Karnaugh map should be grouped together to obtain the minimum-cost implementation of a given function. Our intuitive strategy was to find as few as possible and as large as possible groups of 1s that cover all cases where the function has a value of 1. Each group of 1s has to comprise cells that can be represented by a single product term. The larger the group of 1s, the fewer the number of variables in the corresponding product term. This approach worked well because the Karnaugh maps in our examples were small. For larger logic functions, which have many variables, such intuitive approach is unsuitable. Instead, we must have an organized method for deriving a minimum-cost implementation. In this section we will introduce a possible method, which is similar to the techniques that are automated in CAD tools. To illustrate the main ideas, we will use Karnaugh maps.

### 2.12.1 TERMINOLOGY

A huge amount of research work has gone into the development of techniques for synthesis of logic functions. The results of this research have been published in numerous papers. To facilitate the presentation of the results, certain terminology has evolved that avoids the need for using highly descriptive phrases. We define some of this terminology in the following paragraphs because it is useful for describing the minimization process.

#### Literal

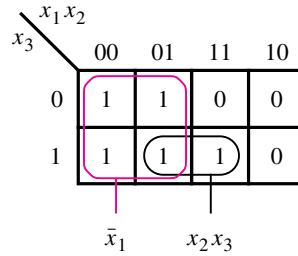
A given product term consists of some number of variables, each of which may appear either in uncomplemented or complemented form. Each appearance of a variable, either uncomplemented or complemented, is called a *literal*. For example, the product term  $x_1\bar{x}_2x_3$  has three literals, and the term  $\bar{x}_1x_3\bar{x}_4x_6$  has four literals.

#### Implicant

A product term that indicates the input valuation(s) for which a given function is equal to 1 is called an *implicant* of the function. The most basic implicants are the minterms, which we introduced in Section 2.6.1. For an  $n$ -variable function, a minterm is an implicant that consists of  $n$  literals.

Consider the three-variable function in Figure 2.56. There are 11 implicants for this function. This includes the five minterms:  $\bar{x}_1\bar{x}_2\bar{x}_3$ ,  $\bar{x}_1\bar{x}_2x_3$ ,  $\bar{x}_1x_2\bar{x}_3$ ,  $\bar{x}_1x_2x_3$ , and  $x_1x_2x_3$ . Then there are the implicants that correspond to all possible pairs of minterms that can be combined, namely,  $\bar{x}_1\bar{x}_2$  ( $m_0$  and  $m_1$ ),  $\bar{x}_1\bar{x}_3$  ( $m_0$  and  $m_2$ ),  $\bar{x}_1x_3$  ( $m_1$  and  $m_3$ ),  $\bar{x}_1x_2$  ( $m_2$  and  $m_3$ ),





**Figure 2.56** Three-variable function  $f(x_1, x_2, x_3) = \sum m(0, 1, 2, 3, 7)$ .

and  $x_2x_3$  ( $m_3$  and  $m_7$ ). Finally, there is one implicant that covers a group of four minterms, which consists of a single literal  $\bar{x}_1$ .

### Prime Implicant

An implicant is called a *prime implicant* if it cannot be combined into another implicant that has fewer literals. Another way of stating this definition is to say that it is impossible to delete any literal in a prime implicant and still have a valid implicant.

In Figure 2.56 there are two prime implicants:  $\bar{x}_1$  and  $x_2x_3$ . It is not possible to delete a literal in either of them. Doing so for  $\bar{x}_1$  would make it disappear. For  $x_2x_3$ , deleting a literal would leave either  $x_2$  or  $x_3$ . But  $x_2$  is not an implicant because it includes the valuation  $(x_1, x_2, x_3) = 110$  for which  $f = 0$ , and  $x_3$  is not an implicant because it includes  $(x_1, x_2, x_3) = 101$  for which  $f = 0$ . Another way of thinking about prime implicants is that they represent “the largest groups of 1s” that can be circled in the Karnaugh map.

### Cover

A collection of implicants that account for all valuations for which a given function is equal to 1 is called a *cover* of that function. A number of different covers exist for most functions. Obviously, a set of all minterms for which  $f = 1$  is a cover. It is also apparent that a set of all prime implicants is a cover.

A cover defines a particular implementation of the function. In Figure 2.56 a cover consisting of minterms leads to the expression

$$f = \bar{x}_1\bar{x}_2\bar{x}_3 + \bar{x}_1\bar{x}_2x_3 + \bar{x}_1x_2\bar{x}_3 + \bar{x}_1x_2x_3 + x_1x_2x_3$$

Another valid cover is given by the expression

$$f = \bar{x}_1\bar{x}_2 + \bar{x}_1x_2 + x_2x_3$$

The cover comprising the prime implicants is

$$f = \bar{x}_1 + x_2x_3$$

While all of these expressions represent the function  $f$  correctly, the cover consisting of prime implicants leads to the lowest-cost implementation.

### Cost

In Section 2.6.1 we suggested that a good indication of the cost of a logic circuit is the number of gates plus the total number of inputs to all gates in the circuit. We will use this definition of cost throughout the book. But we will assume that primary inputs, namely, the input variables, are available in both true and complemented forms at zero cost. Thus the expression

$$f = x_1\bar{x}_2 + x_3\bar{x}_4$$

has a cost of nine because it can be implemented using two AND gates and one OR gate, with six inputs to the AND and OR gates.

If an inversion is needed inside a circuit, then the corresponding NOT gate and its input are included in the cost. For example, the expression

$$g = (\overline{x_1\bar{x}_2 + x_3})(\bar{x}_4 + x_5)$$

is implemented using two AND gates, two OR gates, and one NOT gate to complement  $(x_1\bar{x}_2 + x_3)$ , with nine inputs. Hence the total cost is 14.

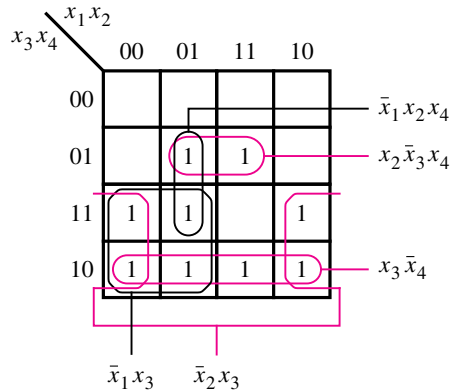
## 2.12.2 MINIMIZATION PROCEDURE

We have seen that it is possible to implement a given logic function with various circuits. These circuits may have different structures and different costs. When designing a logic circuit, there are usually certain criteria that must be met. One such criterion is likely to be the cost of the circuit, which we considered in the previous discussion. In general, the larger the circuit, the more important the cost issue becomes. In this section we will assume that the main objective is to obtain a minimum-cost circuit.

In the previous subsection we concluded that the lowest-cost implementation is achieved when the cover of a given function consists of prime implicants. The question then is how to determine the minimum-cost subset of prime implicants that will cover the function. Some prime implicants may have to be included in the cover, while for others there may be a choice. If a prime implicant includes a minterm for which  $f = 1$  that is not included in any other prime implicant, then it must be included in the cover and is called an *essential prime implicant*. In the example in Figure 2.56, both prime implicants are essential. The term  $x_2x_3$  is the only prime implicant that covers the minterm  $m_7$ , and  $\bar{x}_1$  is the only one that covers the minterms  $m_0, m_1$ , and  $m_2$ . Notice that the minterm  $m_3$  is covered by both of these prime implicants. The minimum-cost realization of the function is

$$f = \bar{x}_1 + x_2x_3$$

We will now present several examples in which there is a choice as to which prime implicants to include in the final cover. Consider the four-variable function in Figure 2.57. There are five prime implicants:  $\bar{x}_1x_3$ ,  $\bar{x}_2x_3$ ,  $x_3\bar{x}_4$ ,  $\bar{x}_1x_2x_4$ , and  $x_2\bar{x}_3x_4$ . The essential ones (highlighted in blue) are  $\bar{x}_2x_3$  (because of  $m_{11}$ ),  $x_3\bar{x}_4$  (because of  $m_{14}$ ), and  $x_2\bar{x}_3x_4$  (because of  $m_{13}$ ). They must be included in the cover. These three prime implicants cover all minterms for which  $f = 1$  except  $m_7$ . It is clear that  $m_7$  can be covered by either  $\bar{x}_1x_3$  or  $\bar{x}_1x_2x_4$ .



**Figure 2.57** Four-variable function  $f(x_1, \dots, x_4) = \sum m(2, 3, 5, 6, 7, 10, 11, 13, 14)$ .

Because  $\bar{x}_1x_3$  has a lower cost, it is chosen for the cover. Therefore, the minimum-cost realization is

$$f = \bar{x}_2x_3 + x_3\bar{x}_4 + x_2\bar{x}_3x_4 + \bar{x}_1x_3$$

From the preceding discussion, the process of finding a minimum-cost circuit involves the following steps:

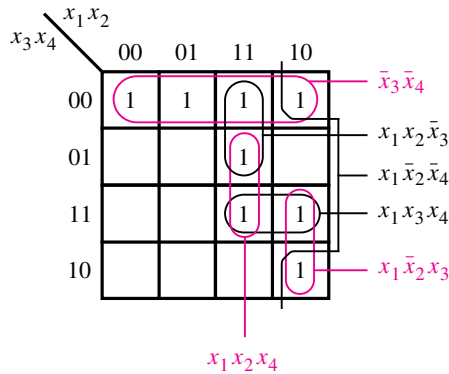
1. Generate all prime implicants for the given function  $f$ .
2. Find the set of essential prime implicants.
3. If the set of essential prime implicants covers all valuations for which  $f = 1$ , then this set is the desired cover of  $f$ . Otherwise, determine the nonessential prime implicants that should be added to form a complete minimum-cost cover.

The choice of nonessential prime implicants to be included in the cover is governed by the cost considerations. This choice is often not obvious. Indeed, for large functions there may exist many possibilities, and some *heuristic* approach (i.e., an approach that considers only a subset of possibilities but gives good results most of the time) has to be used. One such approach is to arbitrarily select one nonessential prime implicant and include it in the cover and then determine the rest of the cover. Next, another cover is determined assuming that this prime implicant is not in the cover. The costs of the resulting covers are compared, and the less-expensive cover is chosen for implementation.

We can illustrate the process by using the function in Figure 2.58. Of the six prime implicants, only  $\bar{x}_3\bar{x}_4$  is essential. Consider next  $x_1x_2\bar{x}_3$  and assume first that it will be included in the cover. Then the remaining three minterms,  $m_{10}$ ,  $m_{11}$ , and  $m_{15}$ , will require two more prime implicants to be included in the cover. A possible implementation is

$$f = \bar{x}_3\bar{x}_4 + x_1x_2\bar{x}_3 + x_1x_3x_4 + x_1\bar{x}_2x_3$$

The second possibility is that  $x_1x_2\bar{x}_3$  is not included in the cover. Then  $x_1x_2x_4$  becomes essential because there is no other way of covering  $m_{13}$ . Because  $x_1x_2x_4$  also covers  $m_{15}$ ,



**Figure 2.58** The function  $f(x_1, \dots, x_4) = \sum m(0, 4, 8, 10, 11, 12, 13, 15)$ .

only  $m_{10}$  and  $m_{11}$  remain to be covered, which can be achieved with  $x_1\bar{x}_2x_3$ . Therefore, the alternative implementation is

$$f = \bar{x}_3\bar{x}_4 + x_1x_2x_4 + x_1\bar{x}_2x_3$$

Clearly, this implementation is a better choice.

Sometimes there may not be any essential prime implicants at all. An example is given in Figure 2.59. Choosing any of the prime implicants and first including it, then excluding it from the cover leads to two alternatives of equal cost. One includes the prime implicants indicated in black, which yields

$$f = \bar{x}_1\bar{x}_3\bar{x}_4 + x_2\bar{x}_3x_4 + x_1x_3x_4 + \bar{x}_2x_3\bar{x}_4$$

The other includes the prime implicants indicated in blue, which yields

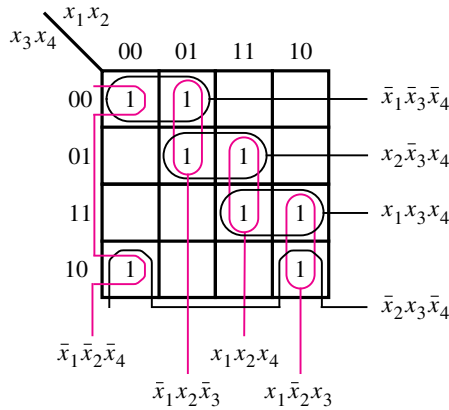
$$f = \bar{x}_1\bar{x}_2\bar{x}_4 + \bar{x}_1x_2\bar{x}_3 + x_1x_2x_4 + x_1\bar{x}_2x_3$$

This procedure can be used to find minimum-cost implementations of both small and large logic functions. For our small examples it was convenient to use Karnaugh maps to determine the prime implicants of a function and then choose the final cover. Other techniques based on the same principles are much more suitable for use in CAD tools; we will introduce such techniques in Chapter 8.

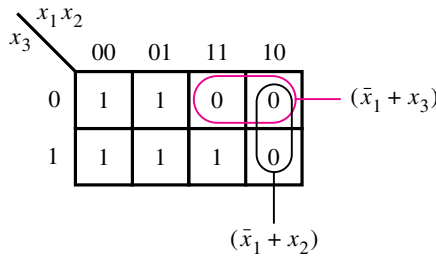
The previous examples have been based on the sum-of-products form. We will next illustrate that the same concepts apply for the product-of-sums form.

## 2.13 MINIMIZATION OF PRODUCT-OF-SUMS FORMS

Now that we know how to find the minimum-cost sum-of-products (SOP) implementations of functions, we can use the same techniques and the principle of duality to obtain minimum-cost product-of-sums (POS) implementations. In this case it is the maxterms for which



**Figure 2.59** The function  $f(x_1, \dots, x_4) = \sum m(0, 2, 4, 5, 10, 11, 13, 15)$ .



**Figure 2.60** POS minimization of  $f(x_1, x_2, x_3) = \Pi M(4, 5, 6)$ .

$f = 0$  that have to be combined into sum terms that are as large as possible. Again, a sum term is considered larger if it covers more maxterms, and the larger the term, the less costly it is to implement.

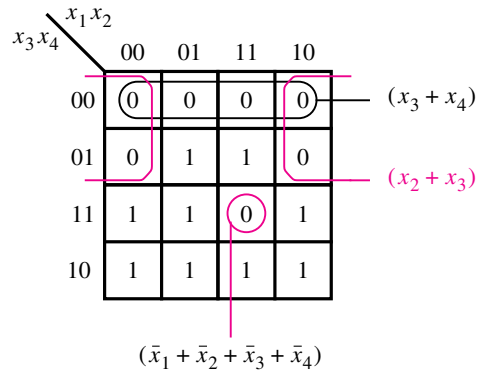
Figure 2.60 depicts the same function as Figure 2.56 depicts. There are three maxterms that must be covered:  $M_4$ ,  $M_5$ , and  $M_6$ . They can be covered by two sum terms shown in the figure, leading to the following implementation:

$$f = (\bar{x}_1 + x_2)(\bar{x}_1 + x_3)$$

A circuit corresponding to this expression has two OR gates and one AND gate, with two inputs for each gate. Its cost is greater than the cost of the equivalent SOP implementation derived in Figure 2.56, which requires only one OR gate and one AND gate.

The function from Figure 2.57 is reproduced in Figure 2.61. The maxterms for which  $f = 0$  can be covered as shown, leading to the expression

$$f = (x_2 + x_3)(x_3 + x_4)(\bar{x}_1 + \bar{x}_2 + \bar{x}_3 + \bar{x}_4)$$



**Figure 2.61** POS minimization of  $f(x_1, \dots, x_4) = \Pi M(0, 1, 4, 8, 9, 12, 15)$ .

This expression represents a circuit with three OR gates and one AND gate. Two of the OR gates have two inputs, and the third has four inputs; the AND gate has three inputs. Assuming that both the complemented and uncomplemented versions of the input variables  $x_1$  to  $x_4$  are available at no extra cost, the cost of this circuit is 15. This compares favorably with the SOP implementation derived from Figure 2.57, which requires five gates and 13 inputs at a total cost of 18.

In general, as we already know from Section 2.6.1, the SOP and POS implementations of a given function may or may not entail the same cost. The reader is encouraged to find the POS implementations for the functions in Figures 2.58 and 2.59 and compare the costs with the SOP forms.

We have shown how to obtain minimum-cost POS implementations by finding the largest sum terms that cover all maxterms for which  $f = 0$ . Another way of obtaining the same result is by finding a minimum-cost SOP implementation of the complement of  $f$ . Then we can apply DeMorgan's theorem to this expression to obtain the simplest POS realization because  $f = \overline{\overline{f}}$ . For example, the simplest SOP implementation of  $\overline{f}$  in Figure 2.60 is

$$\overline{f} = x_1\bar{x}_2 + x_1\bar{x}_3$$

Complementing this expression using DeMorgan's theorem yields

$$\begin{aligned} f = \overline{\overline{f}} &= \overline{x_1\bar{x}_2 + x_1\bar{x}_3} \\ &= \overline{x_1\bar{x}_2} \cdot \overline{x_1\bar{x}_3} \\ &= (\bar{x}_1 + x_2)(\bar{x}_1 + x_3) \end{aligned}$$

which is the same result as obtained above.

Using this approach for the function in Figure 2.61 gives

$$\bar{f} = \bar{x}_2\bar{x}_3 + \bar{x}_3\bar{x}_4 + x_1x_2x_3x_4$$

Complementing this expression produces

$$\begin{aligned} f = \overline{\bar{f}} &= \overline{\bar{x}_2\bar{x}_3 + \bar{x}_3\bar{x}_4 + x_1x_2x_3x_4} \\ &= \overline{\bar{x}_2\bar{x}_3} \cdot \overline{\bar{x}_3\bar{x}_4} \cdot \overline{x_1x_2x_3x_4} \\ &= (x_2 + x_3)(x_3 + x_4)(\bar{x}_1 + \bar{x}_2 + \bar{x}_3 + \bar{x}_4) \end{aligned}$$

which matches the previously-derived implementation.

## 2.14 INCOMPLETELY SPECIFIED FUNCTIONS

In digital systems it often happens that certain input conditions can never occur. For example, suppose that  $x_1$  and  $x_2$  control two interlocked switches such that both switches cannot be closed at the same time. Thus the only three possible states of the switches are that both switches are open or that one switch is open and the other switch is closed. Namely, the input valuations  $(x_1, x_2) = 00, 01,$  and  $10$  are possible, but  $11$  is guaranteed not to occur. Then we say that  $(x_1, x_2) = 11$  is a *don't-care condition*, meaning that a circuit with  $x_1$  and  $x_2$  as inputs can be designed by ignoring this condition. A function that has don't-care condition(s) is said to be *incompletely specified*.

Don't-care conditions, or *don't-cares* for short, can be used to advantage in the design of logic circuits. Since these input valuations will never occur, the designer may assume that the function value for these valuations is either 1 or 0, whichever is more useful in trying to find a minimum-cost implementation. Figure 2.62 illustrates this idea. The required function has a value of 1 for minterms  $m_2, m_4, m_5, m_6,$  and  $m_{10}$ . Assuming the above-mentioned interlocked switches, the  $x_1$  and  $x_2$  inputs will never be equal to 1 at the same time; hence the minterms  $m_{12}, m_{13}, m_{14},$  and  $m_{15}$  can all be used as don't-cares. The don't-cares are denoted by the letter  $d$  in the map. Using the shorthand notation, the function  $f$  is specified as

$$f(x_1, \dots, x_4) = \sum m(2, 4, 5, 6, 10) + D(12, 13, 14, 15)$$

where  $D$  is the set of don't-cares.

Part (a) of the figure indicates the best sum-of-products implementation. To form the largest possible groups of 1s, thus generating the lowest-cost prime implicants, it is necessary to assume that the don't-cares  $D_{12}, D_{13},$  and  $D_{14}$  (corresponding to minterms  $m_{12}, m_{13},$  and  $m_{14}$ ) have the value of 1 while  $D_{15}$  has the value of 0. Then there are only two prime implicants, which provide a complete cover of  $f$ . The resulting implementation is

$$f = x_2\bar{x}_3 + x_3\bar{x}_4$$

	$x_1x_2$	00	01	11	10	
$x_3x_4$	00	0	1	d	0	
	01	0	1	d	0	$x_2\bar{x}_3$
	11	0	0	d	0	
	10	1	1	d	1	$x_3\bar{x}_4$

(a) SOP implementation

	$x_1x_2$	00	01	11	10	
$x_3x_4$	00	0	1	d	0	$(x_2 + x_3)$
	01	0	1	d	0	
	11	0	0	d	0	$(\bar{x}_3 + \bar{x}_4)$
	10	1	1	d	1	

(b) POS implementation

**Figure 2.62** Two implementations of the function  $f(x_1, \dots, x_4) = \sum m(2, 4, 5, 6, 10) + D(12, 13, 14, 15)$ .

Part (b) shows how the best product-of-sums implementation can be obtained. The same values are assumed for the don't cares. The result is

$$f = (x_2 + x_3)(\bar{x}_3 + \bar{x}_4)$$

The freedom in choosing the value of don't-cares leads to greatly simplified realizations. If we were to naively exclude the don't-cares from the synthesis of the function, by assuming that they always have a value of 0, the resulting SOP expression would be

$$f = \bar{x}_1x_2\bar{x}_3 + \bar{x}_1x_3\bar{x}_4 + \bar{x}_2x_3\bar{x}_4$$

and the POS expression would be

$$f = (x_2 + x_3)(\bar{x}_3 + \bar{x}_4)(\bar{x}_1 + \bar{x}_2)$$

Both of these expressions have higher costs than the expressions obtained with a more appropriate assignment of values to don't-cares.

Although don't-care values can be assigned arbitrarily, an arbitrary assignment may not lead to a minimum-cost implementation of a given function. If there are  $k$  don't-cares,



then there are  $2^k$  possible ways of assigning 0 or 1 values to them. In the Karnaugh map we can usually see how best to do this assignment to find the simplest implementation.

In the example above, we chose the don't-cares  $D_{12}$ ,  $D_{13}$ , and  $D_{14}$  to be equal to 1 and  $D_{15}$  equal to 0 for both the SOP and POS implementations. Thus the derived expressions represent the same function, which could also be specified as  $\sum m(2, 4, 5, 6, 10, 12, 13, 14)$ . Assigning the same values to the don't-cares for both SOP and POS implementations is not always a good choice. Sometimes it may be advantageous to give a particular don't-care the value 1 for SOP implementation and the value 0 for POS implementation, or vice versa. In such cases the optimal SOP and POS expressions will represent different functions, but these functions will differ only for the valuations that correspond to these don't-cares. Example 2.26 in Section 2.17 illustrates this possibility.

Using interlocked switches to illustrate how don't-care conditions can occur in a real system may seem to be somewhat contrived. A more practical example is shown below, and in future chapters we will encounter many examples of don't-cares that occur in the course of practical design of digital circuits.

---

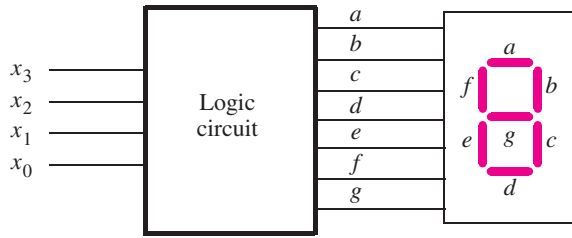
**Example 2.15** In Section 2.8.3 we designed a logic circuit that displays the decimal value of a two-bit number on a seven-segment display. In this example we will design a similar circuit, except that the input will be a four-bit number  $X = x_3x_2x_1x_0$  that represents the decimal values 0, 1, . . . , 9. Using four bits to represent decimal digits in this way is often referred to as the *binary coded decimal* (BCD) representation. We discuss BCD numbers in detail in Chapter 3. The circuit is depicted in Figure 2.63a. Part (b) of the figure gives a truth table for each of the seven outputs  $a, b, \dots, g$ , that control the display. It also indicates how the display should appear for each value of  $X$ . Since  $X$  is restricted to decimal digits, then the values of  $X$  from 1010 to 1111 are not used. These entries are omitted from the truth table in Figure 2.63b, and can be treated as don't cares in the design of the circuit.

To derive logic expressions for the outputs  $a$  to  $g$ , it is useful to draw Karnaugh maps. Figure 2.63c gives Karnaugh maps for the functions  $a$  and  $e$ . For the function  $a$ , the best result is obtained by setting all six don't-care cells in the map to the value of 1, which gives  $a = \bar{x}_2\bar{x}_0 + x_1 + x_2x_0 + x_3$ . However, for the function  $e$  a better choice is to set only two of the don't-care cells, corresponding to  $x_3x_2x_1x_0 = 1010$  and  $x_3x_2x_1x_0 = 1110$ , to 1. The other don't-care cells should be set to 0 for this function to yield the minimum-cost expression  $e = \bar{x}_2\bar{x}_0 + x_1\bar{x}_0$ .

---

## 2.15 MULTIPLE-OUTPUT CIRCUITS

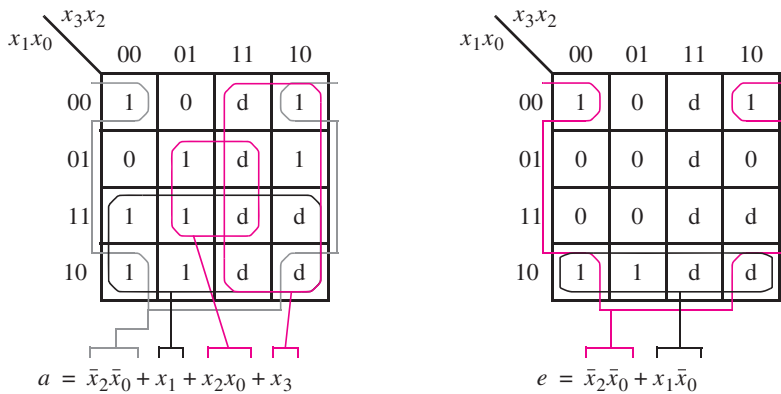
As illustrated in Example 2.15, in practical digital systems it is often necessary to implement a number of functions that are part of a larger logic circuit. Instead of implementing each of these functions separately, it may be possible to share some of the gates needed in the implementation of individual functions. For example, in Figure 2.63 the AND gate that produces  $\bar{x}_2\bar{x}_0$  could be shared for use in both functions  $a$  and  $e$ .



(a) Logic circuit and 7-segment display

$x_3$	$x_2$	$x_1$	$x_0$	$a$	$b$	$c$	$d$	$e$	$f$	$g$
0	0	0	0	1	1	1	1	1	1	0
0	0	0	1	0	1	1	0	0	0	0
0	0	1	0	1	1	0	1	1	0	1
0	0	1	1	1	1	1	1	0	0	1
0	1	0	0	0	1	1	0	0	1	1
0	1	0	1	1	0	1	1	0	1	1
0	1	1	0	1	0	1	1	1	1	1
0	1	1	1	1	1	1	0	0	0	0
1	0	0	0	1	1	1	1	1	1	1
1	0	0	1	1	1	1	1	0	1	1

(b) Truth table



(c) The Karnaugh maps for outputs  $a$  and  $e$ .

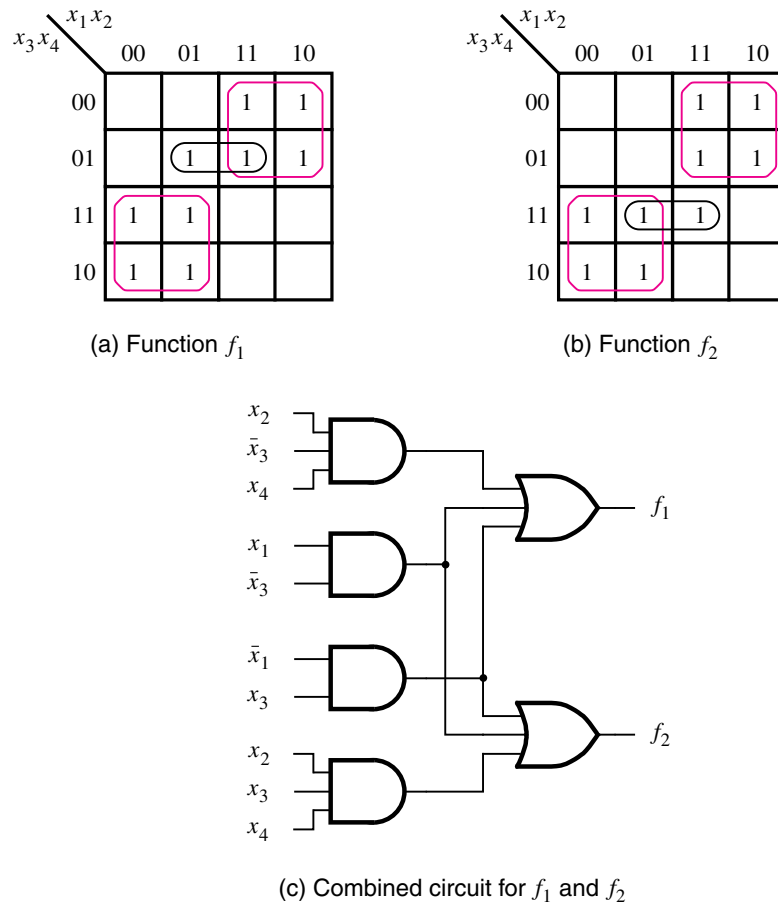
**Figure 2.63** Using don't-care minterms when displaying BCD numbers.

**Example 2.16** An example of gate sharing is given in Figure 2.64. Two functions,  $f_1$  and  $f_2$ , of the same variables are to be implemented. The minimum-cost implementations for these functions are obtained as shown in parts (a) and (b) of the figure. This results in the expressions

$$f_1 = x_1\bar{x}_3 + \bar{x}_1x_3 + x_2\bar{x}_3x_4$$

$$f_2 = x_1\bar{x}_3 + \bar{x}_1x_3 + x_2x_3x_4$$

The cost of  $f_1$  is four gates and 10 inputs, for a total of 14. The cost of  $f_2$  is the same. Thus the total cost is 28 if both functions are implemented by separate circuits. A less-expensive realization is possible if the two circuits are combined into a single circuit with two outputs. Because the first two product terms are identical in both expressions, the AND gates that



**Figure 2.64** An example of multiple-output synthesis.

implement them need not be duplicated. The combined circuit is shown in Figure 2.64c. Its cost is six gates and 16 inputs, for a total of 22.

In this example we reduced the overall cost by finding minimum-cost realizations of  $f_1$  and  $f_2$  and then sharing the gates that implement the common product terms. This strategy does not necessarily always work the best, as the next example shows.

Figure 2.65 shows two functions to be implemented by a single circuit. Minimum-cost realizations of the individual functions  $f_3$  and  $f_4$  are obtained from parts (a) and (b) of the figure.

**Example 2.17**

$$\begin{aligned}f_3 &= \bar{x}_1x_4 + x_2x_4 + \bar{x}_1x_2x_3 \\f_4 &= x_1x_4 + \bar{x}_2x_4 + \bar{x}_1x_2x_3\bar{x}_4\end{aligned}$$

None of the AND gates can be shared, which means that the cost of the combined circuit would be six AND gates, two OR gates, and 21 inputs, for a total of 29.

But several alternative realizations are possible. Instead of deriving the expressions for  $f_3$  and  $f_4$  using only prime implicants, we can look for other implicants that may be shared advantageously in the combined realization of the functions. Figure 2.65c shows the best choice of implicants, which yields the realization

$$\begin{aligned}f_3 &= x_1x_2x_4 + \bar{x}_1x_2x_3\bar{x}_4 + \bar{x}_1x_4 \\f_4 &= x_1x_2x_4 + \bar{x}_1x_2x_3\bar{x}_4 + \bar{x}_2x_4\end{aligned}$$

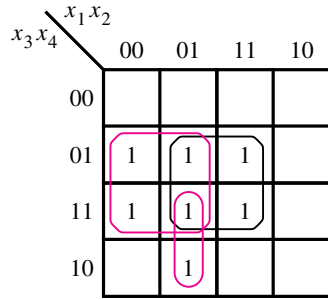
The first two implicants are identical in both expressions. The resulting circuit is given in Figure 2.65d. It has the cost of six gates and 17 inputs, for a total of 23.

In Example 2.16 we sought the best SOP implementation for the functions  $f_1$  and  $f_2$  in Figure 2.64. We will now consider the POS implementation of the same functions. The minimum-cost POS expressions for  $f_1$  and  $f_2$  are

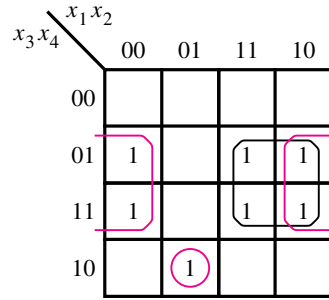
**Example 2.18**

$$\begin{aligned}f_1 &= (\bar{x}_1 + \bar{x}_3)(x_1 + x_2 + x_3)(x_1 + x_3 + x_4) \\f_2 &= (x_1 + x_3)(\bar{x}_1 + x_2 + \bar{x}_3)(\bar{x}_1 + \bar{x}_3 + x_4)\end{aligned}$$

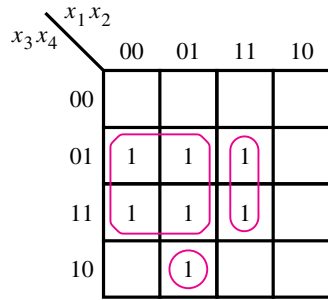
There are no common sum terms in these expressions that could be shared in the implementation. Moreover, from the Karnaugh maps in Figure 2.64, it is apparent that there is no sum term (covering the cells where  $f_1 = f_2 = 0$ ) that can be profitably used in realizing both  $f_1$  and  $f_2$ . Thus the best choice is to implement each function separately, according to the preceding expressions. Each function requires three OR gates, one AND gate, and 11 inputs. Therefore, the total cost of the circuit that implements both functions is 30. This realization is costlier than the SOP realization derived in Example 2.16.



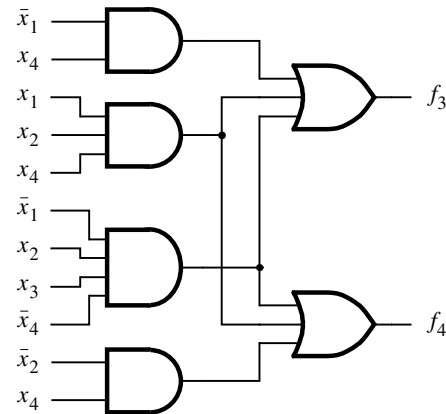
(a) Optimal realization of  $f_3$



(b) Optimal realization of  $f_4$



(c) Optimal realization of  $f_3$  and  $f_4$  together



(d) Combined circuit for  $f_3$  and  $f_4$

**Figure 2.65** Another example of multiple-output synthesis.

Consider now the POS realization of the functions  $f_3$  and  $f_4$  in Figure 2.65. The minimum-cost POS expressions for  $f_3$  and  $f_4$  are **Example 2.19**

$$f_3 = (x_3 + x_4)(x_2 + x_4)(\bar{x}_1 + x_4)(\bar{x}_1 + x_2)$$

$$f_4 = (x_3 + x_4)(x_2 + x_4)(\bar{x}_1 + x_4)(x_1 + \bar{x}_2 + \bar{x}_4)$$

The first three sum terms are the same in both  $f_3$  and  $f_4$ ; they can be shared in a combined circuit. These terms require three OR gates and six inputs. In addition, one 2-input OR gate and one 4-input AND gate are needed for  $f_3$ , and one 3-input OR gate and one 4-input AND gate are needed for  $f_4$ . Thus the combined circuit comprises five OR gates, two AND gates, and 19 inputs, for a total cost of 26. This cost is slightly higher than the cost of the circuit derived in Example 2.17.

These examples show that the complexities of the best SOP or POS implementations of given functions may be quite different. For the functions in Figures 2.64 and 2.65, the SOP form gives better results. But if we are interested in implementing the complements of the four functions in these figures, then the POS form would be less costly.

Sophisticated CAD tools used to synthesize logic functions will automatically perform the types of optimizations illustrated in the preceding examples.

---

## 2.16 CONCLUDING REMARKS

In this chapter we introduced the concept of logic circuits. We showed that such circuits can be implemented using logic gates and that they can be described using a mathematical model called Boolean algebra. Because practical logic circuits are often large, it is important to have good CAD tools to help the designer. We introduced the Verilog hardware description language that can be used to specify circuits for use in a CAD tool. We urge the reader to start using CAD software for the design of logic circuits as soon as possible.

This chapter has attempted to provide the reader with an understanding of some aspects of synthesis and optimization for logic functions. Now that the reader is comfortable with the fundamental concepts, we can examine digital circuits of a more sophisticated nature. The next chapter describes circuits that perform arithmetic operations, which are a key part of computers.

---

## 2.17 EXAMPLES OF SOLVED PROBLEMS

This section presents some typical problems that the reader may encounter, and shows how such problems can be solved.

**Example 2.20 Problem:** Determine if the following equation is valid

$$\bar{x}_1\bar{x}_3 + x_2x_3 + x_1\bar{x}_2 = \bar{x}_1x_2 + x_1x_3 + \bar{x}_2\bar{x}_3$$

**Solution:** The equation is valid if the expressions on the left- and right-hand sides represent the same function. To perform the comparison, we could construct a truth table for each side and see if the truth tables are the same. An algebraic approach is to derive a canonical sum-of-products form for each expression.

Using the fact that  $x + \bar{x} = 1$  (theorem 8b), we can manipulate the left-hand side as follows:

$$\begin{aligned} \text{LHS} &= \bar{x}_1\bar{x}_3 + x_2x_3 + x_1\bar{x}_2 \\ &= \bar{x}_1(x_2 + \bar{x}_2)\bar{x}_3 + (x_1 + \bar{x}_1)x_2x_3 + x_1\bar{x}_2(x_3 + \bar{x}_3) \\ &= \bar{x}_1x_2\bar{x}_3 + \bar{x}_1\bar{x}_2\bar{x}_3 + x_1x_2x_3 + \bar{x}_1x_2x_3 + x_1\bar{x}_2x_3 + x_1\bar{x}_2\bar{x}_3 \end{aligned}$$

These product terms represent the minterms 2, 0, 7, 3, 5, and 4, respectively.

For the right-hand side we have

$$\begin{aligned} \text{RHS} &= \bar{x}_1x_2 + x_1x_3 + \bar{x}_2\bar{x}_3 \\ &= \bar{x}_1x_2(x_3 + \bar{x}_3) + x_1(x_2 + \bar{x}_2)x_3 + (x_1 + \bar{x}_1)\bar{x}_2\bar{x}_3 \\ &= \bar{x}_1x_2x_3 + \bar{x}_1x_2\bar{x}_3 + x_1x_2x_3 + x_1\bar{x}_2x_3 + x_1\bar{x}_2\bar{x}_3 + \bar{x}_1\bar{x}_2\bar{x}_3 \end{aligned}$$

These product terms represent the minterms 3, 2, 7, 5, 4, and 0, respectively. Since both expressions specify the same minterms, they represent the same function; therefore, the equation is valid. Another way of representing this function is by  $\sum m(0, 2, 3, 4, 5, 7)$ .

**Example 2.21 Problem:** Design the minimum-cost product-of-sums expression for the function  $f(x_1, x_2, x_3, x_4) = \sum m(0, 2, 4, 5, 6, 7, 8, 10, 12, 14, 15)$ .

**Solution:** The function is defined in terms of its minterms. To find a POS expression we should start with the definition in terms of maxterms, which is  $f = \prod M(1, 3, 9, 11, 13)$ . Thus,

$$\begin{aligned} f &= M_1 \cdot M_3 \cdot M_9 \cdot M_{11} \cdot M_{13} \\ &= (x_1 + x_2 + x_3 + \bar{x}_4)(x_1 + x_2 + \bar{x}_3 + \bar{x}_4)(\bar{x}_1 + x_2 + x_3 + \bar{x}_4)(\bar{x}_1 + x_2 + \bar{x}_3 + \bar{x}_4)(\bar{x}_1 + \bar{x}_2 + x_3 + \bar{x}_4) \end{aligned}$$

We can rewrite the product of the first two maxterms as

$$\begin{aligned} M_1 \cdot M_3 &= (x_1 + x_2 + \bar{x}_4 + x_3)(x_1 + x_2 + \bar{x}_4 + \bar{x}_3) && \text{using commutative property 10b} \\ &= x_1 + x_2 + \bar{x}_4 + x_3\bar{x}_3 && \text{using distributive property 12b} \\ &= x_1 + x_2 + \bar{x}_4 + 0 && \text{using theorem 8a} \\ &= x_1 + x_2 + \bar{x}_4 && \text{using theorem 6b} \end{aligned}$$

Similarly,  $M_9 \cdot M_{11} = \bar{x}_1 + x_2 + \bar{x}_4$ . Now, we can use  $M_9$  again, according to property 7a, to derive  $M_9 \cdot M_{13} = \bar{x}_1 + x_3 + \bar{x}_4$ . Hence

$$f = (x_1 + x_2 + \bar{x}_4)(\bar{x}_1 + x_2 + \bar{x}_4)(\bar{x}_1 + x_3 + \bar{x}_4)$$

Applying 12b again, we get the final answer

$$f = (x_2 + \bar{x}_4)(\bar{x}_1 + x_3 + \bar{x}_4)$$

**Problem:** A circuit that controls a given digital system has three inputs:  $x_1$ ,  $x_2$ , and  $x_3$ . It has to recognize three different conditions: **Example 2.22**

- Condition  $A$  is true if  $x_3$  is true and either  $x_1$  is true or  $x_2$  is false
- Condition  $B$  is true if  $x_1$  is true and either  $x_2$  or  $x_3$  is false
- Condition  $C$  is true if  $x_2$  is true and either  $x_1$  is true or  $x_3$  is false

The control circuit must produce an output of 1 if at least two of the conditions  $A$ ,  $B$ , and  $C$  are true. Design the simplest circuit that can be used for this purpose.

**Solution:** Using 1 for true and 0 for false, we can express the three conditions as follows:

$$A = x_3(x_1 + \bar{x}_2) = x_3x_1 + x_3\bar{x}_2$$

$$B = x_1(\bar{x}_2 + \bar{x}_3) = x_1\bar{x}_2 + x_1\bar{x}_3$$

$$C = x_2(x_1 + \bar{x}_3) = x_2x_1 + x_2\bar{x}_3$$

Then, the desired output of the circuit can be expressed as  $f = AB + AC + BC$ . These product terms can be determined as:

$$\begin{aligned} AB &= (x_3x_1 + x_3\bar{x}_2)(x_1\bar{x}_2 + x_1\bar{x}_3) \\ &= x_3x_1x_1\bar{x}_2 + x_3x_1x_1\bar{x}_3 + x_3\bar{x}_2x_1\bar{x}_2 + x_3\bar{x}_2x_1\bar{x}_3 \\ &= x_3x_1\bar{x}_2 + 0 + x_3\bar{x}_2x_1 + 0 \\ &= x_1\bar{x}_2x_3 \end{aligned}$$

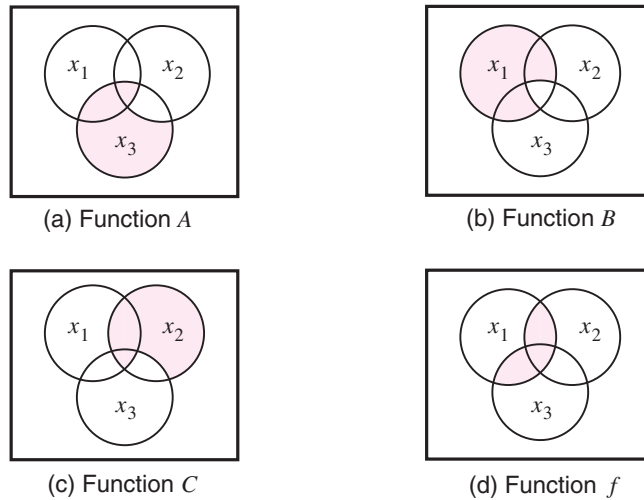
$$\begin{aligned} AC &= (x_3x_1 + x_3\bar{x}_2)(x_2x_1 + x_2\bar{x}_3) \\ &= x_3x_1x_2x_1 + x_3x_1x_2\bar{x}_3 + x_3\bar{x}_2x_2x_1 + x_3\bar{x}_2x_2\bar{x}_3 \\ &= x_3x_1x_2 + 0 + 0 + 0 \\ &= x_1x_2x_3 \end{aligned}$$

$$\begin{aligned} BC &= (x_1\bar{x}_2 + x_1\bar{x}_3)(x_2x_1 + x_2\bar{x}_3) \\ &= x_1\bar{x}_2x_2x_1 + x_1\bar{x}_2x_2\bar{x}_3 + x_1\bar{x}_3x_2x_1 + x_1\bar{x}_3x_2\bar{x}_3 \\ &= 0 + 0 + x_1\bar{x}_3x_2 + x_1\bar{x}_3x_2 \\ &= x_1x_2\bar{x}_3 \end{aligned}$$

Therefore,  $f$  can be written as

$$\begin{aligned} f &= x_1\bar{x}_2x_3 + x_1x_2x_3 + x_1x_2\bar{x}_3 \\ &= x_1(\bar{x}_2 + x_2)x_3 + x_1x_2(x_3 + \bar{x}_3) \\ &= x_1x_3 + x_1x_2 \\ &= x_1(x_3 + x_2) \end{aligned}$$





**Figure 2.66** The Venn diagrams for Example 2.23.

**Example 2.23 Problem:** Solve the problem in Example 2.22 by using Venn diagrams.

**Solution:** The Venn diagrams for functions  $A$ ,  $B$ , and  $C$  in Example 2.22 are shown in parts  $a$  to  $c$  of Figure 2.66. Since the function  $f$  has to be true when two or more of  $A$ ,  $B$ , and  $C$  are true, then the Venn diagram for  $f$  is formed by identifying the common shaded areas in the Venn diagrams for  $A$ ,  $B$ , and  $C$ . Any area that is shaded in two or more of these diagrams is also shaded in  $f$ , as shown in Figure 2.66d. This diagram corresponds to the function

$$f = x_1x_2 + x_1x_3 = x_1(x_2 + x_3)$$

**Example 2.24 Problem:** Use algebraic manipulation to derive the simplest sum-of-products expression for the function

$$f = x_2\bar{x}_3x_4 + x_1x_3x_4 + x_1\bar{x}_2x_4$$

**Solution:** Applying the consensus property 17a to the first two terms yields

$$\begin{aligned} f &= x_2\bar{x}_3x_4 + x_1x_3x_4 + x_2x_4x_1x_4 + x_1\bar{x}_2x_4 \\ &= x_2\bar{x}_3x_4 + x_1x_3x_4 + x_1x_2x_4 + x_1\bar{x}_2x_4 \end{aligned}$$

Now, using the combining property 14a for the last two terms gives

$$f = x_2\bar{x}_3x_4 + x_1x_3x_4 + x_1x_4$$

Finally, using the absorption property 13a produces

$$f = x_2\bar{x}_3x_4 + x_1x_4$$

**Problem:** Use algebraic manipulation to derive the simplest product-of-sums expression for the function **Example 2.25**

$$f = (\bar{x}_1 + x_2 + x_3)(\bar{x}_1 + \bar{x}_2 + \bar{x}_4)(\bar{x}_1 + x_3 + x_4)$$

**Solution:** Applying the consensus property 17*b* to the first two terms yields

$$\begin{aligned} f &= (\bar{x}_1 + x_2 + x_3)(\bar{x}_1 + \bar{x}_2 + \bar{x}_4)(\bar{x}_1 + x_3 + \bar{x}_1 + \bar{x}_4)(\bar{x}_1 + x_3 + x_4) \\ &= (\bar{x}_1 + x_2 + x_3)(\bar{x}_1 + \bar{x}_2 + \bar{x}_4)(\bar{x}_1 + x_3 + \bar{x}_4)(\bar{x}_1 + x_3 + x_4) \end{aligned}$$

Now, using the combining property 14*b* for the last two terms gives

$$f = (\bar{x}_1 + x_2 + x_3)(\bar{x}_1 + \bar{x}_2 + \bar{x}_4)(\bar{x}_1 + x_3)$$

Finally, using the absorption property 13*b* on the first and last terms produces

$$f = (\bar{x}_1 + \bar{x}_2 + \bar{x}_4)(\bar{x}_1 + x_3)$$

**Problem:** Determine the minimum-cost SOP and POS expressions for the function **Example 2.26**

$$f(x_1, x_2, x_3, x_4) = \sum m(4, 6, 8, 10, 11, 12, 15) + D(3, 5, 7, 9).$$

**Solution:** The function can be represented in the form of a Karnaugh map as shown in Figure 2.67*a*. Note that the location of minterms in the map is as indicated in Figure 2.53. To find the minimum-cost SOP expression, it is necessary to find the prime implicants that cover all 1s in the map. The don't-cares may be used as desired. Minterm  $m_6$  is covered only by the prime implicant  $\bar{x}_1x_2$ , hence this prime implicant is essential and it must be included in the final expression. Similarly, the prime implicants  $x_1\bar{x}_2$  and  $x_3x_4$  are essential because they are the only ones that cover  $m_{10}$  and  $m_{15}$ , respectively. These three prime implicants cover all minterms for which  $f = 1$  except  $m_{12}$ . This minterm can be covered in two ways, by choosing either  $x_1\bar{x}_3\bar{x}_4$  or  $x_2\bar{x}_3\bar{x}_4$ . Since both of these prime implicants have the same cost, we can choose either of them. Choosing the former, the desired SOP expression is

$$f = \bar{x}_1x_2 + x_1\bar{x}_2 + x_3x_4 + x_1\bar{x}_3\bar{x}_4$$

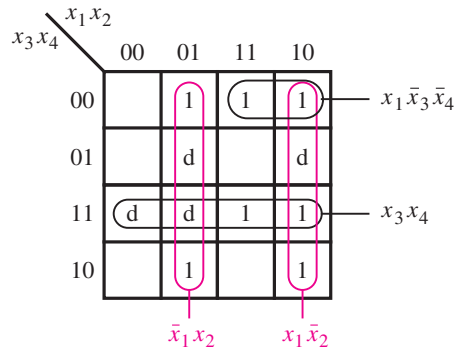
These prime implicants are encircled in the map.

The desired POS expression can be found as indicated in Figure 2.64*b*. In this case, we have to find the sum terms that cover all 0s in the function. Note that we have written 0s explicitly in the map to emphasize this fact. The term  $(x_1 + x_2)$  is essential to cover the 0s in squares 0 and 2, which correspond to maxterms  $M_0$  and  $M_2$ . The terms  $(x_3 + \bar{x}_4)$  and  $(\bar{x}_1 + \bar{x}_2 + \bar{x}_3 + x_4)$  must be used to cover the 0s in squares 13 and 14, respectively. Since these three sum terms cover all 0s in the map, the POS expression is

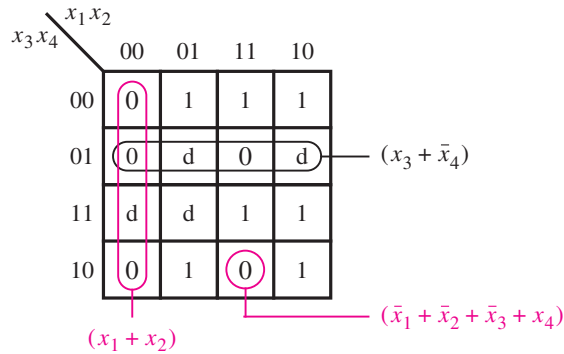
$$f = (x_1 + x_2)(x_3 + \bar{x}_4)(\bar{x}_1 + \bar{x}_2 + \bar{x}_3 + x_4)$$

The chosen sum terms are encircled in the map.

Observe the use of don't-cares in this example. To get a minimum-cost SOP expression we assumed that all four don't-cares have the value 1. But, the minimum-cost POS expression becomes possible only if we assume that don't-cares 3, 5, and 9 have the value 0 while



(a) Determination of the SOP expression



(b) Determination of the POS expression

**Figure 2.67** Karnaugh maps for Example 2.26.

the don't-care 7 has the value 1. This means that the resulting SOP and POS expressions are not identical in terms of the functions they represent. They cover identically all valuations for which  $f$  is specified as 1 or 0, but they differ in the valuations 3, 5, and 9. Of course, this difference does not matter, because the don't-care valuations will never be applied as inputs to the implemented circuits.

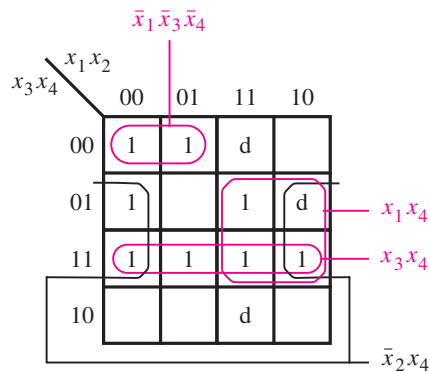
**Example 2.27 Problem:** Use Karnaugh maps to find the minimum-cost SOP and POS expressions for the function

$$f(x_1, \dots, x_4) = \bar{x}_1\bar{x}_3\bar{x}_4 + x_3x_4 + \bar{x}_1\bar{x}_2x_4 + x_1x_2\bar{x}_3x_4$$

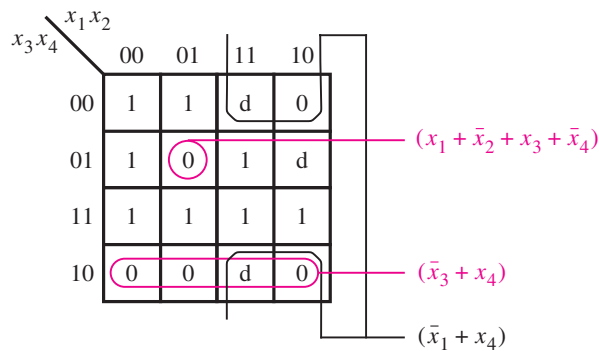
assuming that there are also don't-cares defined as  $D = \sum(9, 12, 14)$ .

**Solution:** The Karnaugh map that represents this function is shown in Figure 2.68a. The map is derived by placing 1s that correspond to each product term in the expression used to specify  $f$ . The term  $\bar{x}_1\bar{x}_3\bar{x}_4$  corresponds to minterms 0 and 4. The term  $x_3x_4$  represents the third row in the map, comprising minterms 3, 7, 11, and 15. The term  $\bar{x}_1\bar{x}_2x_4$  specifies minterms 1 and 3. The fourth product term represents the minterm 13. The map also includes the three don't-care conditions.

To find the desired SOP expression, we must find the least-expensive set of prime implicants that covers all 1s in the map. The term  $x_3x_4$  is a prime implicant which must be included because it is the only prime implicant that covers the minterm 7; it also covers minterms 3, 11, and 15. Minterm 4 can be covered with either  $\bar{x}_1\bar{x}_3\bar{x}_4$  or  $x_2\bar{x}_3\bar{x}_4$ . Both of these terms have the same cost; we will choose  $\bar{x}_1\bar{x}_3\bar{x}_4$  because it also covers the minterm 0. Minterm 1 may be covered with either  $\bar{x}_1\bar{x}_2\bar{x}_3$  or  $\bar{x}_2x_4$ ; we should choose the latter because its cost is lower. This leaves only the minterm 13 to be covered, which can be done with



(a) Determination of the SOP expression



(b) Determination of the POS expression

**Figure 2.68** Karnaugh maps for Example 2.27.

either  $x_1x_4$  or  $x_1x_2$  at equal costs. Choosing  $x_1x_4$ , the minimum-cost SOP expression is

$$f = x_3x_4 + \bar{x}_1\bar{x}_3\bar{x}_4 + \bar{x}_2x_4 + x_1x_4$$

Figure 2.68b shows how we can find the POS expression. The sum term  $(\bar{x}_3 + x_4)$  covers the 0s in the bottom row. To cover the 0 in square 8 we must include  $(\bar{x}_1 + x_4)$ . The remaining 0, in square 5, must be covered with  $(x_1 + \bar{x}_2 + x_3 + \bar{x}_4)$ . Thus, the minimum-cost POS expression is

$$f = (\bar{x}_3 + x_4)(\bar{x}_1 + x_4)(x_1 + \bar{x}_2 + x_3 + \bar{x}_4)$$

**Example 2.28 Problem:** Consider the expression

$$f = s_3(\bar{s}_1 + \bar{s}_2) + s_1s_2$$

Derive a minimum-cost SOP expression for  $f$ .

**Solution:** Applying the distributive property 12a we can write

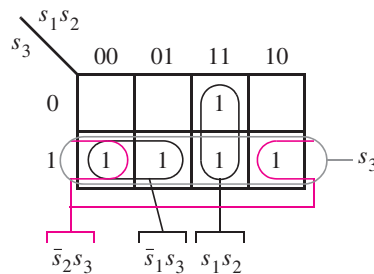
$$f = \bar{s}_1s_3 + \bar{s}_2s_3 + s_1s_2$$

Now, it is easy to see how  $f$  can be represented in the form of a Karnaugh map, as depicted in Figure 2.69. The figure shows that minterms from each of the above three product terms cover the bottom row of the Karnaugh map, leading to the minimum-cost expression

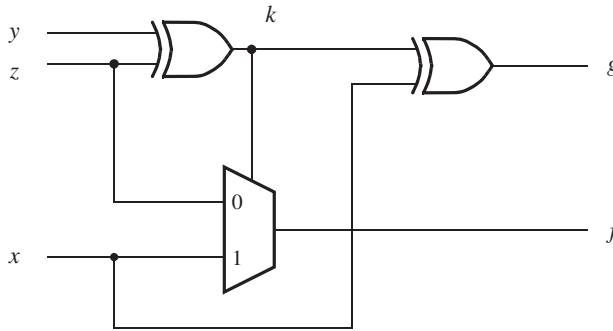
$$f = s_3 + s_1s_2$$

**Example 2.29** Write Verilog code that represents the logic circuit in Figure 2.70. Use only continuous assignment statements to specify the required functions.

**Solution:** An example of the required Verilog code is shown in Figure 2.71.



**Figure 2.69** A Karnaugh map that represents the function in Example 2.28.



**Figure 2.70** The logic circuit for Example 2.29.

```

module f_g (x, y, z, f, g);
  input x, y, z;
  output f, g;
  wire k;

  assign k = y ^ z;
  assign g = k ^ x;
  assign f = (~k & z) | (k & x);

endmodule

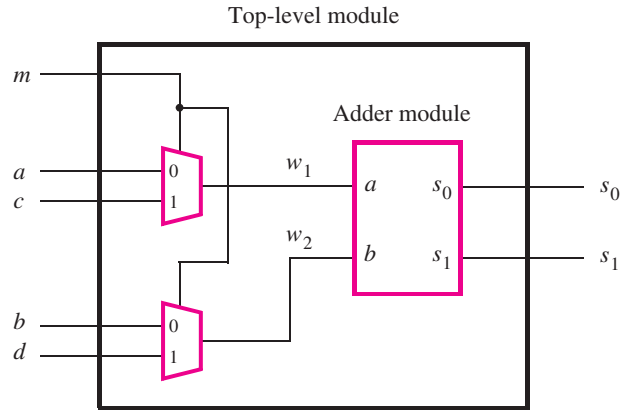
```

**Figure 2.71** Verilog code for Example 2.29.

Consider the circuit shown in Figure 2.72. It includes two copies of the 2-to-1 multiplexer circuit from Figure 2.33, and the adder circuit from Figure 2.12. If the multiplexers' select input  $m = 0$ , then this circuit produces the sum  $S = a + b$ . But if  $m = 1$ , then the circuit produces  $S = c + d$ . By using multiplexers, we are able to *share* one adder for generating the two different sums  $a + b$  and  $c + d$ . Sharing a subcircuit for multiple purposes is commonly-used in practice, although usually with larger subcircuits than our one-bit adder. Write Verilog code for the circuit in Figure 2.72. Use the hierarchical style of Verilog code illustrated in Figure 2.47, including two instances of a Verilog module for the 2-to-1 multiplexer subcircuit, and one instance of the adder subcircuit.

### Example 2.30

**Solution:** An example of the required Verilog code is shown in Figure 2.73. We should mention that both the *shared* module and the *adder* module have input ports named  $a$  and  $b$ . This does not cause any conflict because the name of a signal declared in a Verilog module is limited to the scope of that module.



**Figure 2.72** The circuit for Example 2.30.

```

module shared (a, b, c, d, m, s1, s0);
  input a, b, c, d, m;
  output s1, s0;
  wire w1, w2;
  mux2to1 U1 (a, c, m, w1);
  mux2to1 U2 (b, d, m, w2);
  adder U3 (w1, w2, s1, s0);
endmodule

```

```

module mux2to1 (x1, x2, s, f);
  input x1, x2, s;
  output f;
  assign f = (~s & x1) | (s & x2);
endmodule

```

```

module adder (a, b, s1, s0);
  input a, b;
  output s1, s0;
  assign s1 = a & b;
  assign s0 = a ^ b;
endmodule

```

**Figure 2.73** Verilog code for Example 2.30.

In Chapter 1 we said that several types of integrated circuit chips are available for implementation of logic circuits, and that field-programmable gate arrays (FPGAs) are commonly used. In an FPGA, logic functions are not implemented directly using AND, OR, and NOT gates. Instead, an FPGA implements logic functions by using a type of circuit element called lookup tables (LUTs). A LUT can be programmed by the user to implement any logic function of its inputs. Thus, if a LUT has three inputs, then it can implement any logic function of these three inputs. We describe FPGAs and lookup tables in detail in Appendix B. Consider the four-input function

**Example 2.31**

$$f = x_1x_2x_4 + x_2x_3\bar{x}_4 + \bar{x}_1\bar{x}_2\bar{x}_3$$

Show how this function can be implemented in an FPGA that has three-input LUTs.

**Solution:** A straightforward implementation requires four 3-input LUTs. Three of these LUTs are used for the three-input AND operations, and the final LUT implements the three-input OR operation. It is also possible to apply logic synthesis techniques that result in fewer LUTs. We discuss these techniques in Chapter 8 (see Example 8.19).

---

**PROBLEMS**

Answers to problems marked by an asterisk are given at the back of the book.

- 2.1** Use algebraic manipulation to prove that  $x + yz = (x + y) \cdot (x + z)$ . Note that this is the distributive rule, as stated in identity 12*b* in Section 2.5.
- 2.2** Use algebraic manipulation to prove that  $(x + y) \cdot (x + \bar{y}) = x$ .
- 2.3** Use algebraic manipulation to prove that  $xy + yz + \bar{x}z = xy + \bar{x}z$ . Note that this is the consensus property 17*a* in Section 2.5.
- 2.4** Use the Venn diagram to prove the identity in Problem 2.3.
- 2.5** Use the Venn diagram to prove DeMorgan's theorem, as given in expression 15*b* in Section 2.5.
- 2.6** Use the Venn diagram to prove that

$$(x_1 + x_2 + x_3) \cdot (x_1 + x_2 + \bar{x}_3) = x_1 + x_2$$

- \*2.7** Determine whether or not the following expressions are valid, i.e., whether the left- and right-hand sides represent the same function.
- (a)  $\bar{x}_1x_3 + x_1x_2\bar{x}_3 + \bar{x}_1x_2 + x_1\bar{x}_2 = \bar{x}_2x_3 + x_1\bar{x}_3 + x_2\bar{x}_3 + \bar{x}_1x_2x_3$
- (b)  $x_1\bar{x}_3 + x_2x_3 + \bar{x}_2\bar{x}_3 = (x_1 + \bar{x}_2 + x_3)(x_1 + x_2 + \bar{x}_3)(\bar{x}_1 + x_2 + \bar{x}_3)$
- (c)  $(x_1 + x_3)(\bar{x}_1 + \bar{x}_2 + \bar{x}_3)(\bar{x}_1 + x_2) = (x_1 + x_2)(x_2 + x_3)(\bar{x}_1 + \bar{x}_3)$
- 2.8** Draw a timing diagram for the circuit in Figure 2.24*a*. Show the waveforms that can be observed on all wires in the circuit.
- 2.9** Repeat Problem 2.8 for the circuit in Figure 2.24*b*.



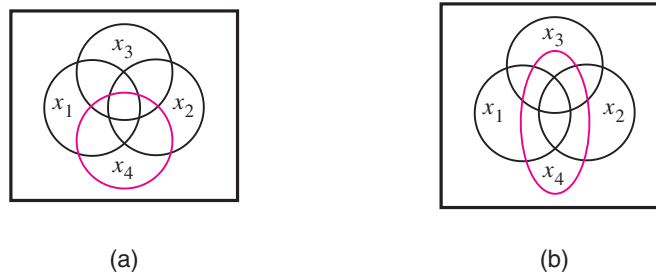
- 2.10** Use algebraic manipulation to show that for three input variables  $x_1$ ,  $x_2$ , and  $x_3$

$$\sum m(1, 2, 3, 4, 5, 6, 7) = x_1 + x_2 + x_3$$

- 2.11** Use algebraic manipulation to show that for three input variables  $x_1$ ,  $x_2$ , and  $x_3$

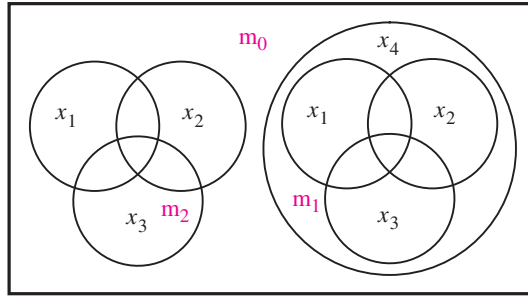
$$\prod M(0, 1, 2, 3, 4, 5, 6) = x_1 x_2 x_3$$

- \*2.12** Use algebraic manipulation to find the minimum sum-of-products expression for the function  $f = x_1 x_3 + x_1 \bar{x}_2 + \bar{x}_1 x_2 x_3 + \bar{x}_1 \bar{x}_2 \bar{x}_3$ .
- 2.13** Use algebraic manipulation to find the minimum sum-of-products expression for the function  $f = x_1 \bar{x}_2 \bar{x}_3 + x_1 x_2 x_4 + x_1 \bar{x}_2 x_3 \bar{x}_4$ .
- 2.14** Use algebraic manipulation to find the minimum product-of-sums expression for the function  $f = (x_1 + x_3 + x_4) \cdot (x_1 + \bar{x}_2 + x_3) \cdot (x_1 + \bar{x}_2 + \bar{x}_3 + x_4)$ .
- \*2.15** Use algebraic manipulation to find the minimum product-of-sums expression for the function  $f = (x_1 + x_2 + x_3) \cdot (x_1 + \bar{x}_2 + x_3) \cdot (\bar{x}_1 + \bar{x}_2 + x_3) \cdot (x_1 + x_2 + \bar{x}_3)$ .
- 2.16** (a) Show the location of all minterms in a three-variable Venn diagram.  
 (b) Show a separate Venn diagram for each product term in the function  $f = x_1 \bar{x}_2 x_3 + x_1 x_2 + \bar{x}_1 x_3$ . Use the Venn diagram to find the minimal sum-of-products form of  $f$ .
- 2.17** Represent the function in Figure 2.23 in the form of a Venn diagram and find its minimal sum-of-products form.
- 2.18** Figure P2.1 shows two attempts to draw a Venn diagram for four variables. For parts (a) and (b) of the figure, explain why the Venn diagram is not correct. (*Hint*: The Venn diagram must be able to represent all 16 minterms of the four variables.)



**Figure P2.1** Two attempts to draw a four-variable Venn diagram.

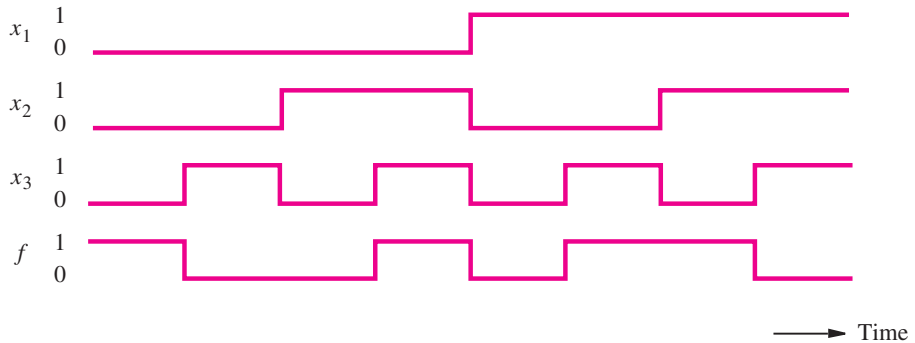
- 2.19** Figure P2.2 gives a representation of a four-variable Venn diagram and shows the location of minterms  $m_0$ ,  $m_1$ , and  $m_2$ . Show the location of the other minterms in the diagram. Represent the function  $f = \bar{x}_1 \bar{x}_2 x_3 \bar{x}_4 + x_1 x_2 x_3 x_4 + \bar{x}_1 x_2$  on this diagram.



**Figure P2.2** A four-variable Venn diagram.

- \*2.20** Design the simplest sum-of-products circuit that implements the function  $f(x_1, x_2, x_3) = \sum m(3, 4, 6, 7)$ .
- 2.21** Design the simplest sum-of-products circuit that implements the function  $f(x_1, x_2, x_3) = \sum m(1, 3, 4, 6, 7)$ .
- 2.22** Design the simplest product-of-sums circuit that implements the function  $f(x_1, x_2, x_3) = \Pi M(0, 2, 5)$ .
- \*2.23** Design the simplest product-of-sums expression for the function  $f(x_1, x_2, x_3) = \Pi M(0, 1, 5, 7)$ .
- 2.24** Derive the simplest sum-of-products expression for the function  $f(x_1, x_2, x_3, x_4) = x_1\bar{x}_3\bar{x}_4 + x_2\bar{x}_3x_4 + x_1\bar{x}_2\bar{x}_3$ .
- 2.25** Use algebraic manipulation to derive the simplest sum-of-products expression for the function  $f(x_1, x_2, x_3, x_4, x_5) = \bar{x}_1\bar{x}_3\bar{x}_5 + \bar{x}_1\bar{x}_3\bar{x}_4 + \bar{x}_1x_4x_5 + x_1\bar{x}_2\bar{x}_3x_5$ . (*Hint*: Use the consensus property 17a.)
- 2.26** Use algebraic manipulation to derive the simplest product-of-sums expression for the function  $f(x_1, x_2, x_3, x_4) = (\bar{x}_1 + \bar{x}_3 + \bar{x}_4)(\bar{x}_2 + \bar{x}_3 + x_4)(x_1 + \bar{x}_2 + \bar{x}_3)$ . (*Hint*: Use the consensus property 17b.)
- 2.27** Use algebraic manipulation to derive the simplest product-of-sums expression for the function  $f(x_1, x_2, x_3, x_4, x_5) = (\bar{x}_2 + x_3 + x_5)(x_1 + \bar{x}_3 + x_5)(x_1 + x_2 + x_5)(x_1 + \bar{x}_4 + \bar{x}_5)$ . (*Hint*: Use the consensus property 17b.)
- \*2.28** Design the simplest circuit that has three inputs,  $x_1, x_2$ , and  $x_3$ , which produces an output value of 1 whenever two or more of the input variables have the value 1; otherwise, the output has to be 0.
- 2.29** Design the simplest circuit that has three inputs,  $x_1, x_2$ , and  $x_3$ , which produces an output value of 1 whenever exactly one or two of the input variables have the value 1; otherwise, the output has to be 0.
- 2.30** Design the simplest circuit that has four inputs,  $x_1, x_2, x_3$ , and  $x_4$ , which produces an output value of 1 whenever three or more of the input variables have the value 1; otherwise, the output has to be 0.

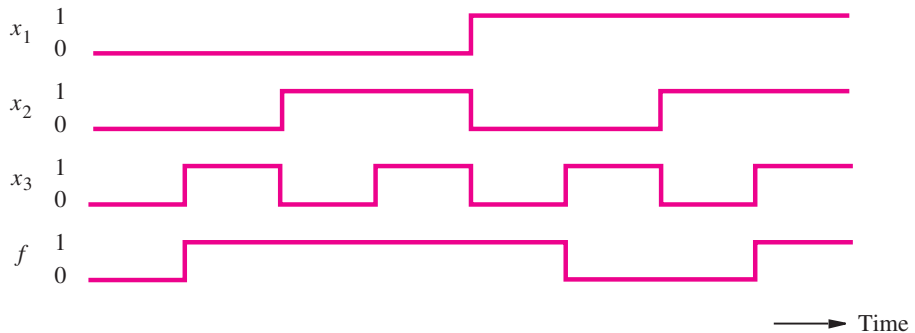
- 2.31** For the timing diagram in Figure P2.3, synthesize the function  $f(x_1, x_2, x_3)$  in the simplest sum-of-products form.



**Figure P2.3** A timing diagram representing a logic function.

- \*2.32** For the timing diagram in Figure P2.3, synthesize the function  $f(x_1, x_2, x_3)$  in the simplest product-of-sums form.

- \*2.33** For the timing diagram in Figure P2.4, synthesize the function  $f(x_1, x_2, x_3)$  in the simplest sum-of-products form.



**Figure P2.4** A timing diagram representing a logic function.

- 2.34** For the timing diagram in Figure P2.4, synthesize the function  $f(x_1, x_2, x_3)$  in the simplest product-of-sums form.

- 2.35** Design a circuit with output  $f$  and inputs  $x_1$ ,  $x_0$ ,  $y_1$ , and  $y_0$ . Let  $X = x_1x_0$  and  $Y = y_1y_0$  represent two 2-digit binary numbers. The output  $f$  should be 1 if the numbers represented by  $X$  and  $Y$  are equal. Otherwise,  $f$  should be 0.

- (a) Show the truth table for  $f$ .  
 (b) Synthesize the simplest possible product-of-sums expression for  $f$ .
- 2.36** Repeat Problem 2.35 for the case where  $f$  should be 1 only if  $X \geq Y$ .  
 (a) Show the truth table for  $f$ .  
 (b) Show the canonical sum-of-products expression for  $f$ .  
 (c) Show the simplest possible sum-of-products expression for  $f$ .
- \*2.37** Find the minimum-cost SOP and POS forms for the function  $f(x_1, x_2, x_3) = \sum m(1, 2, 3, 5)$ .
- \*2.38** Repeat Problem 2.37 for the function  $f(x_1, x_2, x_3) = \sum m(1, 4, 7) + D(2, 5)$ .
- 2.39** Repeat Problem 2.37 for the function  $f(x_1, \dots, x_4) = \Pi M(0, 1, 2, 4, 5, 7, 8, 9, 10, 12, 14, 15)$ .
- 2.40** Repeat Problem 2.37 for the function  $f(x_1, \dots, x_4) = \sum m(0, 2, 8, 9, 10, 15) + D(1, 3, 6, 7)$ .
- \*2.41** Repeat Problem 2.37 for the function  $f(x_1, \dots, x_5) = \Pi M(1, 4, 6, 7, 9, 12, 15, 17, 20, 21, 22, 23, 28, 31)$ .
- 2.42** Repeat Problem 2.37 for the function  $f(x_1, \dots, x_5) = \sum m(0, 1, 3, 4, 6, 8, 9, 11, 13, 14, 16, 19, 20, 21, 22, 24, 25) + D(5, 7, 12, 15, 17, 23)$ .
- 2.43** Repeat Problem 2.37 for the function  $f(x_1, \dots, x_5) = \sum m(1, 4, 6, 7, 9, 10, 12, 15, 17, 19, 20, 23, 25, 26, 27, 28, 30, 31) + D(8, 16, 21, 22)$ .
- 2.44** Find 5 three-variable functions for which the product-of-sums form has lower cost than the sum-of-products form.
- \*2.45** A four-variable logic function that is equal to 1 if any three or all four of its variables are equal to 1 is called a *majority* function. Design a minimum-cost SOP circuit that implements this majority function.
- 2.46** Derive a minimum-cost realization of the four-variable function that is equal to 1 if exactly two or exactly three of its variables are equal to 1; otherwise it is equal to 0.
- \*2.47** Prove or show a counter-example for the statement: If a function  $f$  has a unique minimum-cost SOP expression, then it also has a unique minimum-cost POS expression.
- \*2.48** A circuit with two outputs has to implement the following functions

$$f(x_1, \dots, x_4) = \sum m(0, 2, 4, 6, 7, 9) + D(10, 11)$$

$$g(x_1, \dots, x_4) = \sum m(2, 4, 9, 10, 15) + D(0, 13, 14)$$

Design the minimum-cost circuit and compare its cost with combined costs of two circuits that implement  $f$  and  $g$  separately. Assume that the input variables are available in both uncomplemented and complemented forms.

- 2.49** Repeat Problem 2.48 for the following functions

$$f(x_1, \dots, x_5) = \sum m(1, 4, 5, 11, 27, 28) + D(10, 12, 14, 15, 20, 31)$$

$$g(x_1, \dots, x_5) = \sum m(0, 1, 2, 4, 5, 8, 14, 15, 16, 18, 20, 24, 26, 28, 31) + D(10, 11, 12, 27)$$

**\*2.50** Consider the function  $f = x_3x_5 + \bar{x}_1x_2x_4 + x_1\bar{x}_2\bar{x}_4 + x_1x_3\bar{x}_4 + \bar{x}_1x_3x_4 + \bar{x}_1x_2x_5 + x_1\bar{x}_2x_5$ . Derive a minimum-cost POS expression for this function.

**2.51** Implement the function in Figure 2.31 using only NAND gates.

**2.52** Implement the function in Figure 2.31 using only NOR gates.

**2.53** Implement the circuit in Figure 2.39 using NAND and NOR gates.

**\*2.54** Design the simplest circuit that implements the function  $f(x_1, x_2, x_3) = \sum m(3, 4, 6, 7)$  using NAND gates.

**2.55** Design the simplest circuit that implements the function  $f(x_1, x_2, x_3) = \sum m(1, 3, 4, 6, 7)$  using NAND gates.

**\*2.56** Repeat Problem 2.54 using NOR gates.

**2.57** Repeat Problem 2.55 using NOR gates.

**2.58** (a) Use a schematic capture tool (which can be downloaded from the Internet; for example, from [www.altera.com](http://www.altera.com)) to draw schematics for the following functions

$$f_1 = x_2\bar{x}_3\bar{x}_4 + \bar{x}_1x_2x_4 + \bar{x}_1x_2x_3 + x_1x_2x_3$$

$$f_2 = x_2\bar{x}_4 + \bar{x}_1x_2 + x_2x_3$$

(b) Use functional simulation to prove that  $f_1 = f_2$ .

**2.59** (a) Use a schematic capture tool to draw schematics for the following functions

$$f_1 = (x_1 + x_2 + \bar{x}_4) \cdot (\bar{x}_2 + x_3 + \bar{x}_4) \cdot (\bar{x}_1 + x_3 + \bar{x}_4) \cdot (\bar{x}_1 + \bar{x}_3 + \bar{x}_4)$$

$$f_2 = (x_2 + \bar{x}_4) \cdot (x_3 + \bar{x}_4) \cdot (\bar{x}_1 + \bar{x}_4)$$

(b) Use functional simulation to prove that  $f_1 = f_2$ .

**2.60** Write Verilog code to implement the circuit in Figure 2.32a using the gate-level primitives.

**2.61** Repeat Problem 2.60 for the circuit in Figure 2.32b.

**2.62** Write Verilog code to implement the function  $f(x_1, x_2, x_3) = \sum m(1, 2, 3, 4, 5, 6)$  using the gate-level primitives. Ensure that the resulting circuit is as simple as possible.

**2.63** Write Verilog code to implement the function  $f(x_1, x_2, x_3) = \sum m(0, 1, 3, 4, 5, 6)$  using the continuous assignment.

**2.64** (a) Write Verilog code to describe the following functions

$$f_1 = x_1\bar{x}_3 + x_2\bar{x}_3 + \bar{x}_3\bar{x}_4 + x_1x_2 + x_1\bar{x}_4$$

$$f_2 = (x_1 + \bar{x}_3) \cdot (x_1 + x_2 + \bar{x}_4) \cdot (x_2 + \bar{x}_3 + \bar{x}_4)$$

(b) Use functional simulation to prove that  $f_1 = f_2$ .

**2.65** Consider the following Verilog statements

$$f1 = (x1 \& x3) | (\sim x1 \& \sim x3) | (x2 \& x4) | (\sim x2 \& \sim x4);$$

$$f2 = (x1 \& x2 \& \sim x3 \& \sim x4) | (\sim x1 \& \sim x2 \& x3 \& x4) |$$

$$(x1 \& \sim x2 \& \sim x3 \& x4) | (\sim x1 \& x2 \& x3 \& \sim x4);$$

- (a) Write complete Verilog code to implement  $f1$  and  $f2$ .
- (b) Use functional simulation to prove that  $f1 = \overline{f2}$ .

**\*2.66** Consider the logic expressions

$$f = x_1\bar{x}_2\bar{x}_5 + \bar{x}_1\bar{x}_2\bar{x}_4\bar{x}_5 + x_1x_2x_4x_5 + \bar{x}_1\bar{x}_2x_3\bar{x}_4 + x_1\bar{x}_2x_3x_5 + \bar{x}_2\bar{x}_3x_4\bar{x}_5 + x_1x_2x_3x_4\bar{x}_5$$

$$g = \bar{x}_2x_3\bar{x}_4 + \bar{x}_2\bar{x}_3\bar{x}_4\bar{x}_5 + x_1x_3x_4\bar{x}_5 + x_1\bar{x}_2x_4\bar{x}_5 + x_1x_3x_4x_5 + \bar{x}_1\bar{x}_2\bar{x}_3\bar{x}_5 + x_1x_2\bar{x}_3x_4x_5$$

Prove or disprove that  $f = g$ .

**2.67** Repeat Problem 2.66 for the following expressions

$$f = x_1\bar{x}_2\bar{x}_3 + x_2x_4 + x_1\bar{x}_2\bar{x}_4 + \bar{x}_2\bar{x}_3\bar{x}_4 + \bar{x}_1x_2x_3$$

$$g = (\bar{x}_2 + x_3 + x_4)(\bar{x}_1 + \bar{x}_2 + x_4)(x_2 + \bar{x}_3 + \bar{x}_4)(x_1 + x_2 + \bar{x}_3)(x_1 + x_2 + \bar{x}_4)$$

**2.68** Repeat Problem 2.66 for the following expressions

$$f = x_2\bar{x}_3\bar{x}_4 + \bar{x}_2x_3 + \bar{x}_2x_4 + x_1x_2\bar{x}_4 + x_1x_2\bar{x}_3\bar{x}_5$$

$$g = (x_2 + x_3 + x_4)(\bar{x}_2 + \bar{x}_4 + x_5)(x_1 + \bar{x}_2 + \bar{x}_3)(\bar{x}_2 + x_3 + \bar{x}_4 + \bar{x}_5)$$

**2.69** A circuit with two outputs is defined by the logic functions

$$f = x_1\bar{x}_2\bar{x}_3 + \bar{x}_2\bar{x}_4 + \bar{x}_2\bar{x}_3x_4 + x_1x_2x_3x_4$$

$$g = x_1\bar{x}_3x_4 + x_1x_2x_4 + \bar{x}_1x_3x_4 + \bar{x}_2x_3\bar{x}_4$$

Derive a minimum-cost implementation of this circuit. What is the cost of your circuit?

**2.70** Repeat Problem 2.69 for the functions

$$f = (\bar{x}_1 + x_2 + \bar{x}_3)(x_1 + x_3 + \bar{x}_4)(x_1 + \bar{x}_2 + x_3)(\bar{x}_1 + x_2 + x_4)(x_1 + \bar{x}_2 + \bar{x}_4)$$

$$g = (\bar{x}_1 + x_2 + \bar{x}_3)(\bar{x}_1 + \bar{x}_2 + \bar{x}_4)(\bar{x}_2 + \bar{x}_3 + \bar{x}_4)(x_1 + \bar{x}_2 + x_3 + x_4)$$

**2.71** A given system has four sensors that can produce an output of 0 or 1. The system operates properly when exactly one of the sensors has its output equal to 1. An alarm must be raised when two or more sensors have the output of 1. Design the simplest circuit that can be used to raise the alarm.

**2.72** Repeat Problem 2.71 for a system that has seven sensors.

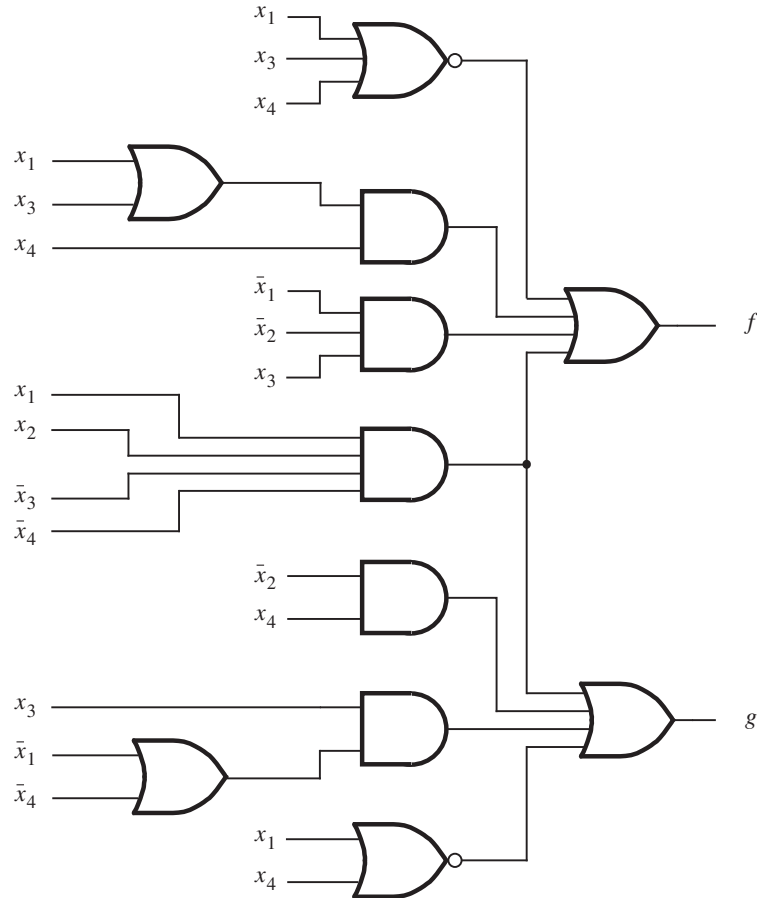
**2.73** Find the minimum-cost circuit consisting only of two-input NAND gates for the function  $f(x_1, \dots, x_4) = \sum m(0, 1, 2, 3, 4, 6, 8, 9, 12)$ . Assume that the input variables are available in both uncomplemented and complemented forms. (*Hint:* Consider the complement of the function.)

**2.74** Repeat Problem 2.73 for the function  $f(x_1, \dots, x_4) = \sum m(2, 3, 6, 8, 9, 12)$ .

**2.75** Find the minimum-cost circuit consisting only of two-input NOR gates for the function  $f(x_1, \dots, x_4) = \sum m(6, 7, 8, 10, 12, 14, 15)$ . Assume that the input variables are available in both uncomplemented and complemented forms. (*Hint:* Consider the complement of the function.)

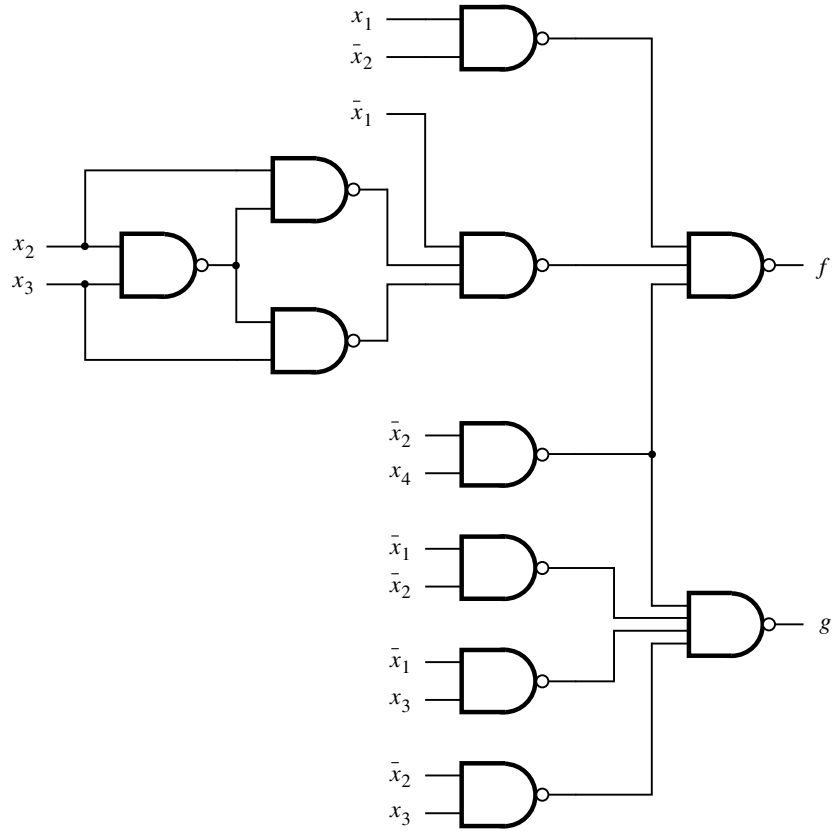
**2.76** Repeat Problem 2.75 for the function  $f(x_1, \dots, x_4) = \sum m(2, 3, 4, 5, 9, 10, 11, 12, 13, 15)$ .

**2.77** Consider the circuit in Figure P2.5, which implements functions  $f$  and  $g$ . What is the cost of this circuit, assuming that the input variables are available in both true and complemented forms? Redesign the circuit to implement the same functions, but at as low a cost as possible. What is the cost of your circuit?



**Figure P2.5** Circuit for Problem 2.78.

**2.78** Repeat Problem 2.78 for the circuit in Figure P2.6. Use only NAND gates in your circuit.



**Figure P2.6** Circuit for Problem 2.79.



---

## REFERENCES

1. G. Boole, *An Investigation of the Laws of Thought*, 1854, reprinted by Dover Publications, New York, 1954.
2. C. E. Shannon, “A Symbolic Analysis of Relay and Switching Circuits,” *Transactions of AIEE* 57 (1938), pp. 713–723.
3. E. V. Huntington, “Sets of Independent Postulates for the Algebra of Logic,” *Transactions of the American Mathematical Society* 5 (1904), pp. 288–309.
4. S. Brown and Z. Vranesic, *Fundamentals of Digital Logic with VHDL Design*, 3rd ed. (McGraw-Hill: New York, 2009).
5. D. A. Thomas and P. R. Moorby, *The Verilog Hardware Description Language*, 5th ed., (Kluwer: Norwell, MA, 2002).
6. Z. Navabi, *Verilog Digital System Design*, 2nd ed., (McGraw-Hill: New York, 2006).
7. S. Palnitkar, *Verilog HDL—A Guide to Digital Design and Synthesis*, 2nd ed., (Prentice-Hall: Upper Saddle River, NJ, 2003).
8. D. R. Smith and P. D. Franzon, *Verilog Styles for Synthesis of Digital Systems*, (Prentice Hall: Upper Saddle River, NJ, 2000).
9. J. Bhasker, *Verilog HDL Synthesis—A Practical Primer*, (Star Galaxy Publishing: Allentown, PA, 1998).
10. D. J. Smith, *HDL Chip Design*, (Doone Publications: Madison, AL, 1996).
11. S. Sutherland, *Verilog 2001—A Guide to the New Features of the Verilog Hardware Description Language*, (Kluwer: Hingham, MA, 2001).

---

chapter

# 3

## NUMBER REPRESENTATION AND ARITHMETIC CIRCUITS

### CHAPTER OBJECTIVES

In this chapter you will learn about:

- Representation of numbers in computers
- Circuits used to perform arithmetic operations
- Performance issues in large circuits
- Use of Verilog to specify arithmetic circuits

In this chapter we will discuss logic circuits that perform arithmetic operations. We will explain how numbers can be added, subtracted, and multiplied. We will also show how to write Verilog code to describe the arithmetic circuits. These circuits provide an excellent platform for illustrating the power and versatility of Verilog in specifying complex logic-circuit assemblies. The concepts involved in the design of arithmetic circuits are easily applied to a wide variety of other circuits.

Before tackling the design of arithmetic circuits, it is necessary to discuss how numbers are represented in digital systems. In Chapter 1 we introduced binary numbers and showed how they can be expressed using the positional number representation. We also discussed the conversion process between decimal and binary number systems. In Chapter 2 we dealt with logic variables in a general way, using variables to represent either the states of switches or some general conditions. Now we will use the variables to represent numbers. Several variables are needed to specify a number, with each variable corresponding to one digit of the number.

---

## 3.1 POSITIONAL NUMBER REPRESENTATION

When dealing with numbers and arithmetic operations, it is convenient to use standard symbols. Thus to represent addition we use the plus (+) symbol, and for subtraction we use the minus (−) symbol. In Chapter 2 we used the + symbol mostly to represent the logical OR operation. Even though we will now use the same symbols for two different purposes, the meaning of each symbol will usually be clear from the context of the discussion. In cases where there may be some ambiguity, the meaning will be stated explicitly.

### 3.1.1 UNSIGNED INTEGERS

The simplest numbers to consider are the integers. We will begin by considering positive integers and then expand the discussion to include negative integers. Numbers that are positive only are called *unsigned*, and numbers that can also be negative are called *signed*. Representation of numbers that include a radix point (real numbers) is discussed later in the chapter.

As explained in Section 1.5.1, an  $n$ -bit unsigned number

$$B = b_{n-1}b_{n-2} \cdots b_1b_0$$

represents an integer that has the value

$$\begin{aligned} V(B) &= b_{n-1} \times 2^{n-1} + b_{n-2} \times 2^{n-2} + \cdots + b_1 \times 2^1 + b_0 \times 2^0 & \mathbf{[3.1]} \\ &= \sum_{i=0}^{n-1} b_i \times 2^i \end{aligned}$$

### 3.1.2 OCTAL AND HEXADECIMAL REPRESENTATIONS

The positional number representation can be used for any radix. If the radix is  $r$ , then the number

$$K = k_{n-1}k_{n-2} \cdots k_1k_0$$

has the value

$$V(K) = \sum_{i=0}^{n-1} k_i \times r^i$$

Our interest is limited to those radices that are most practical. We will use decimal numbers because they are used by people, and we will use binary numbers because they are used by computers. In addition, two other radices are useful—8 and 16. Numbers represented with radix 8 are called *octal* numbers, while radix-16 numbers are called *hexadecimal* numbers. In octal representation the digit values range from 0 to 7. In hexadecimal representation (often abbreviated as *hex*), each digit can have one of 16 values. The first ten are denoted the same as in the decimal system, namely, 0 to 9. Digits that correspond to the decimal values 10, 11, 12, 13, 14, and 15 are denoted by the letters, A, B, C, D, E, and F. Table 3.1 gives the first 18 integers in these number systems.

In computers the dominant number system is binary. The reason for using the octal and hexadecimal systems is that they serve as a useful shorthand notation for binary numbers. One octal digit represents three bits. Thus a binary number is converted into an octal number

**Table 3.1** Numbers in different systems.

Decimal	Binary	Octal	Hexadecimal
00	00000	00	00
01	00001	01	01
02	00010	02	02
03	00011	03	03
04	00100	04	04
05	00101	05	05
06	00110	06	06
07	00111	07	07
08	01000	10	08
09	01001	11	09
10	01010	12	0A
11	01011	13	0B
12	01100	14	0C
13	01101	15	0D
14	01110	16	0E
15	01111	17	0F
16	10000	20	10
17	10001	21	11
18	10010	22	12

by taking groups of three bits, starting from the least-significant bit, and replacing them with the corresponding octal digit. For example, 101011010111 is converted as

$$\begin{array}{cccc} \underbrace{101} & \underbrace{011} & \underbrace{010} & \underbrace{111} \\ 5 & 3 & 2 & 7 \end{array}$$

which means that  $(101011010111)_2 = (5327)_8$ . If the number of bits is not a multiple of three, then we add 0s to the left of the most-significant bit. For example,  $(10111011)_2 = (273)_8$  because of the grouping

$$\begin{array}{ccc} \underbrace{010} & \underbrace{111} & \underbrace{011} \\ 2 & 7 & 3 \end{array}$$

Conversion from octal to binary is just as straightforward; each octal digit is simply replaced by three bits that denote the same value.

Similarly, a hexadecimal digit represents four bits. For example, a 16-bit number is represented by four hex digits, as in

$$(1010111100100101)_2 = (\text{AF25})_{16}$$

using the grouping

$$\begin{array}{cccc} \underbrace{1010} & \underbrace{1111} & \underbrace{0010} & \underbrace{0101} \\ \text{A} & \text{F} & 2 & 5 \end{array}$$

Zeros are added to the left of the most-significant bit if the number of bits is not a multiple of four. For example,  $(1101101000)_2 = (368)_{16}$  because of the grouping

$$\begin{array}{ccc} \underbrace{0011} & \underbrace{0110} & \underbrace{1000} \\ 3 & 6 & 8 \end{array}$$

Conversion from hexadecimal to binary involves straightforward substitution of each hex digit by four bits that denote the same value.

Binary numbers used in modern computers often have 32 or 64 bits. Written as binary  $n$ -tuples (sometimes called bit vectors), such numbers are awkward for people to deal with. It is much simpler to deal with them in the form of 8- or 16-digit hex numbers. Because the arithmetic operations in a digital system usually involve binary numbers, we will focus on circuits that use such numbers. We will sometimes use the hexadecimal representation as a convenient shorthand description.

We have introduced the simplest numbers—unsigned integers. It is necessary to be able to deal with several other types of numbers. We will discuss the representation of signed numbers, fixed-point numbers, and floating-point numbers later in this chapter. But first we will examine some simple circuits that operate on numbers to give the reader a feeling for digital circuits that perform arithmetic operations and to provide motivation for further discussion.

## 3.2 ADDITION OF UNSIGNED NUMBERS

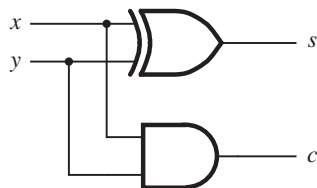
Binary addition is performed in the same way as decimal addition except that the values of individual digits can be only 0 or 1. In Chapter 2, we already considered the addition of 2 one-bit numbers, as an example of a simple logic circuit. Now, we will consider this task in the context of general adder circuits. The one-bit addition entails four possible combinations, as indicated in Figure 3.1a. Two bits are needed to represent the result of the addition. The right-most bit is called the *sum*,  $s$ . The left-most bit, which is produced as a carry-out when both bits being added are equal to 1, is called the *carry*,  $c$ . The addition operation is defined in the form of a truth table in part (b) of the figure. The sum bit  $s$  is the XOR function. The carry  $c$  is the AND function of inputs  $x$  and  $y$ . A circuit realization of these functions is shown in Figure 3.1c. This circuit, which implements the addition of only two bits, is called a *half-adder*.

$x$	0	0	1	1
$+ y$	<u>+ 0</u>	<u>+ 1</u>	<u>+ 0</u>	<u>+ 1</u>
$c \ s$	0 0	0 1	0 1	1 0

(a) The four possible cases

$x$	$y$	Carry $c$	Sum $s$
0	0	0	0
0	1	0	1
1	0	0	1
1	1	1	0

(b) Truth table

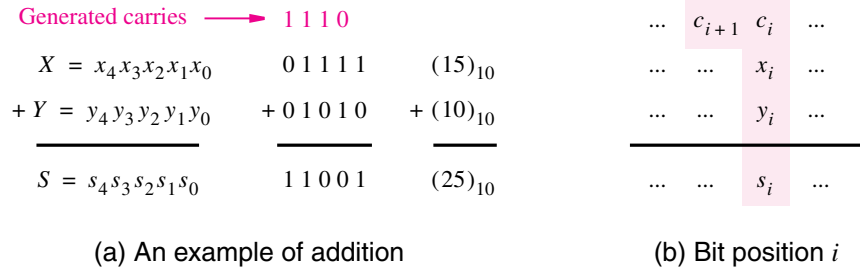


(c) Circuit



(d) Graphical symbol

**Figure 3.1** Half-adder.



**Figure 3.2** Addition of multibit numbers.

A more interesting case is when larger numbers that have multiple bits are involved. Then it is still necessary to add each pair of bits, but for each bit position  $i$ , the addition operation may include a *carry-in* from bit position  $i - 1$ .

Figure 3.2a presents an example of the addition operation. The two operands are  $X = (01111)_2 = (15)_{10}$  and  $Y = (01010)_2 = (10)_{10}$ . Five bits are used to represent  $X$  and  $Y$ , making it possible to represent integers in the range from 0 to 31; hence the sum  $S = X + Y = (25)_{10}$  can also be denoted as a five-bit integer. Note the labeling of individual bits, such that  $X = x_4x_3x_2x_1x_0$  and  $Y = y_4y_3y_2y_1y_0$ . The figure shows, in a blue color, the carries generated during the addition process. For example, a carry of 0 is generated when  $x_0$  and  $y_0$  are added, a carry of 1 is produced when  $x_1$  and  $y_1$  are added, and so on.

In Chapter 2 we designed logic circuits by first specifying their behavior in the form of a truth table. This approach is impractical in designing an adder circuit that can add the five-bit numbers in Figure 3.2. The required truth table would have 10 input variables, 5 for each number  $X$  and  $Y$ . It would have  $2^{10} = 1024$  rows! A better approach is to consider the addition of each pair of bits,  $x_i$  and  $y_i$ , separately.

For bit position 0, there is no carry-in, and hence the addition is the same as for Figure 3.1. For each other bit position  $i$ , the addition involves bits  $x_i$  and  $y_i$ , and a carry-in  $c_i$ , as illustrated in Figure 3.2b. This observation leads to the design of a logic circuit that has three inputs  $x_i$ ,  $y_i$ , and  $c_i$ , and produces the two outputs  $s_i$  and  $c_{i+1}$ . The required truth table is shown in Figure 3.3a. The sum bit,  $s_i$ , is the modulo-2 sum of  $x_i$ ,  $y_i$ , and  $c_i$ . The *carry-out*,  $c_{i+1}$ , is equal to 1 if the sum of  $x_i$ ,  $y_i$ , and  $c_i$  is equal to either 2 or 3. Karnaugh maps for these functions are shown in part (b) of the figure. For the carry-out function the optimal sum-of-products realization is

$$c_{i+1} = x_iy_i + x_ic_i + y_ic_i$$

For the  $s_i$  function a sum-of-products realization is

$$s_i = \bar{x}_iy_i\bar{c}_i + x_i\bar{y}_i\bar{c}_i + \bar{x}_i\bar{y}_ic_i + x_iy_ic_i$$

A more attractive way of implementing this function is by using the XOR gates, as explained below.

$c_i$	$x_i$	$y_i$	$c_{i+1}$	$s_i$
0	0	0	0	0
0	0	1	0	1
0	1	0	0	1
0	1	1	1	0
1	0	0	0	1
1	0	1	1	0
1	1	0	1	0
1	1	1	1	1

(a) Truth table

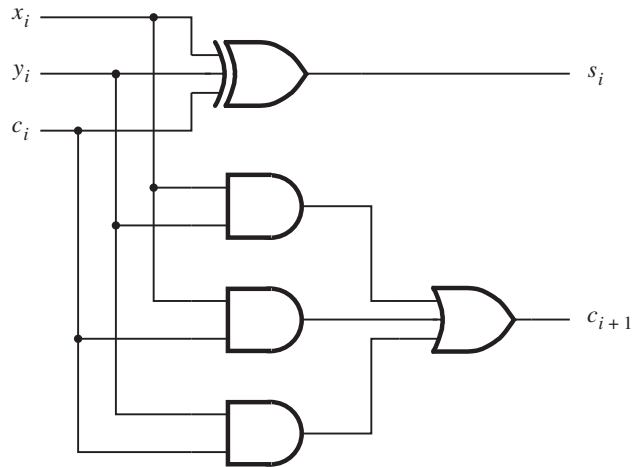
$x_i y_i$ $c_i$	00	01	11	10
0		1		1
1	1		1	

$$s_i = x_i \oplus y_i \oplus c_i$$

$x_i y_i$ $c_i$	00	01	11	10
0			1	
1		1	1	1

$$c_{i+1} = x_i y_i + x_i c_i + y_i c_i$$

(b) Karnaugh maps



(c) Circuit

**Figure 3.3** Full-adder.



### Use of XOR Gates

As shown in Chapter 2, the XOR function of two variables is defined as  $x_1 \oplus x_2 = \bar{x}_1x_2 + x_1\bar{x}_2$ . The preceding expression for the sum bit can be manipulated into a form that uses only XOR operations as follows

$$\begin{aligned} s_i &= (\bar{x}_iy_i + x_i\bar{y}_i)\bar{c}_i + (\bar{x}_i\bar{y}_i + x_iy_i)c_i \\ &= (x_i \oplus y_i)\bar{c}_i + \overline{(x_i \oplus y_i)}c_i \\ &= (x_i \oplus y_i) \oplus c_i \end{aligned}$$

The XOR operation is associative; hence we can write

$$s_i = x_i \oplus y_i \oplus c_i$$

Therefore, a three-input XOR operation can be used to realize  $s_i$ .

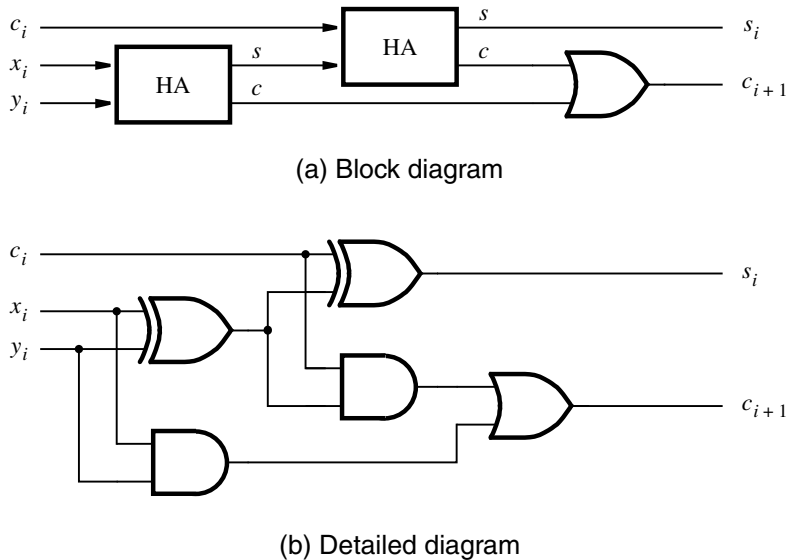
The XOR operation generates as an output a modulo-2 sum of its inputs. Thus, the output is equal to 1 if an odd number of inputs have the value 1, and it is equal to 0 otherwise. For this reason the XOR is sometimes referred to as the *odd* function. Observe that the XOR has no minterms that can be combined into a larger product term, as evident from the checkerboard pattern for function  $s_i$  in the map in Figure 3.3*b*. The logic circuit implementing the truth table in Figure 3.3*a* is given in Figure 3.3*c*. This circuit is known as a *full-adder*.

Another interesting feature of XOR gates is that a two-input XOR gate can be thought of as using one input as a control signal that determines whether the true or complemented value of the other input will be passed through the gate as the output value. This is clear from the definition of XOR, where  $x_i \oplus y_i = \bar{x}_iy + x_i\bar{y}$ . Consider  $x$  to be the control input. Then if  $x = 0$ , the output will be equal to the value of  $y$ . But if  $x = 1$ , the output will be equal to the complement of  $y$ . In the derivation above, we used algebraic manipulation to derive  $s_i = (x_i \oplus y_i) \oplus c_i$ . We could have obtained the same expression immediately by making the following observation. In the top half of the truth table in Figure 3.3*a*,  $c_i$  is equal to 0, and the sum function  $s_i$  is the XOR of  $x_i$  and  $y_i$ . In the bottom half of the table,  $c_i$  is equal to 1, while  $s_i$  is the complemented version of its top half. This observation leads directly to our expression using 2 two-input XOR operations. We will encounter an important example of using XOR gates to pass true or complemented signals under the control of another signal in Section 3.3.3.

In the preceding discussion we encountered the complement of the XOR operation, which we denoted as  $\bar{x} \oplus \bar{y}$ . This operation is used so commonly that it is given the distinct name *XNOR*. A special symbol,  $\odot$ , is often used to denote the XNOR operation, namely

$$x \odot y = \overline{x \oplus y}$$

The XNOR is sometimes also referred to as the *coincidence* operation because it produces the output of 1 when its inputs coincide in value; that is, they are both 0 or both 1.



**Figure 3.4** A decomposed implementation of the full-adder circuit.

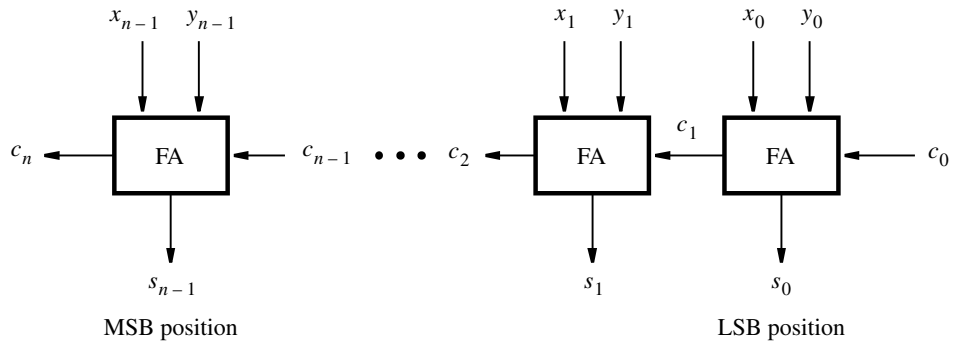
### 3.2.1 DECOMPOSED FULL-ADDER

In view of the names used for the circuits, one can expect that a full-adder can be constructed using half-adders. This can be accomplished by creating a multilevel circuit given in Figure 3.4. It uses two half-adders to form a full-adder. The reader should verify the functional correctness of this circuit.

### 3.2.2 RIPPLE-CARRY ADDER

To perform addition by hand, we start from the least-significant digit and add pairs of digits, progressing to the most-significant digit. If a carry is produced in position  $i$ , then this carry is added to the operands in position  $i + 1$ . The same arrangement can be used in a logic circuit that performs addition. For each bit position we can use a full-adder circuit, connected as shown in Figure 3.5. Note that to be consistent with the customary way of writing numbers, the least-significant bit position is on the right. Carries that are produced by the full-adders propagate to the left.

When the operands  $X$  and  $Y$  are applied as inputs to the adder, it takes some time before the output sum,  $S$ , is valid. Each full-adder introduces a certain delay before its  $s_i$  and  $c_{i+1}$  outputs are valid. Let this delay be denoted as  $\Delta t$ . Thus the carry-out from the first stage,  $c_1$ , arrives at the second stage  $\Delta t$  after the application of the  $x_0$  and  $y_0$  inputs. The carry-out from the second stage,  $c_2$ , arrives at the third stage with a  $2\Delta t$  delay, and so on. The signal  $c_{n-1}$  is valid after a delay of  $(n - 1)\Delta t$ , which means that the complete sum is available



**Figure 3.5** An  $n$ -bit ripple-carry adder.

after a delay of  $n\Delta t$ . Because of the way the carry signals “ripple” through the full-adder stages, the circuit in Figure 3.5 is called a *ripple-carry adder*.

The delay incurred to produce the final sum and carry-out in a ripple-carry adder depends on the size of the numbers. When 32- or 64-bit numbers are used, this delay may become unacceptably high. Because the circuit in each full-adder leaves little room for a drastic reduction in the delay, it may be necessary to seek different structures for implementation of  $n$ -bit adders. We will discuss a technique for building high-speed adders in Section 3.4.

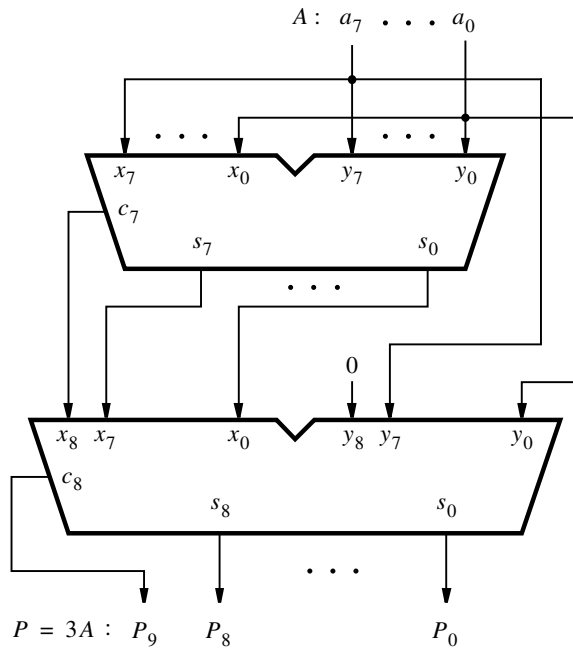
So far we have dealt with unsigned integers only. The addition of such numbers does not require a carry-in for stage 0. In Figure 3.5 we included  $c_0$  in the diagram so that the ripple-carry adder can also be used for subtraction of numbers, as we will see in Section 3.3.

### 3.2.3 DESIGN EXAMPLE

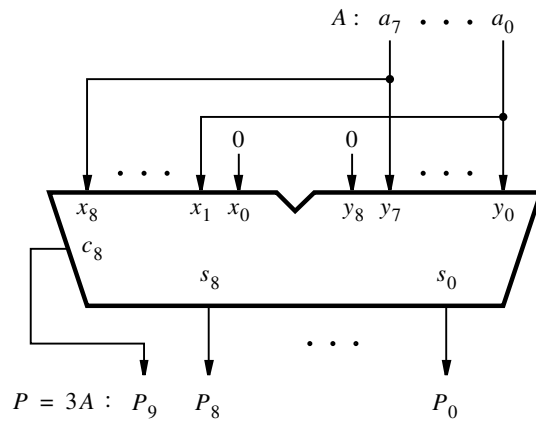
Suppose that we need a circuit that multiplies an eight-bit unsigned number by 3. Let  $A = a_7a_6 \cdots a_1a_0$  denote the number and  $P = p_9p_8 \cdots p_1p_0$  denote the product  $P = 3A$ . Note that 10 bits are needed to represent the product.

A simple approach to design the required circuit is to use two ripple-carry adders to add three copies of the number  $A$ , as illustrated in Figure 3.6a. The symbol that denotes each adder is a commonly-used graphical symbol for adders. The letters  $x_i$ ,  $y_i$ ,  $s_i$ , and  $c_i$  indicate the meaning of the inputs and outputs according to Figure 3.5. The first adder produces  $A + A = 2A$ . Its result is represented as eight sum bits and the carry from the most-significant bit. The second adder produces  $2A + A = 3A$ . It has to be a nine-bit adder to be able to handle the nine bits of  $2A$ , which are generated by the first adder. Because the  $y_i$  inputs have to be driven only by the eight bits of  $A$ , the ninth input  $y_8$  is connected to a constant 0.

This approach is straightforward, but not very efficient. Because  $3A = 2A + A$ , we can observe that  $2A$  can be generated by shifting the bits of  $A$  one bit-position to the left, which gives the bit pattern  $a_7a_6a_5a_4a_3a_2a_1a_00$ . According to Equation 3.1, this pattern is



(a) Naive approach



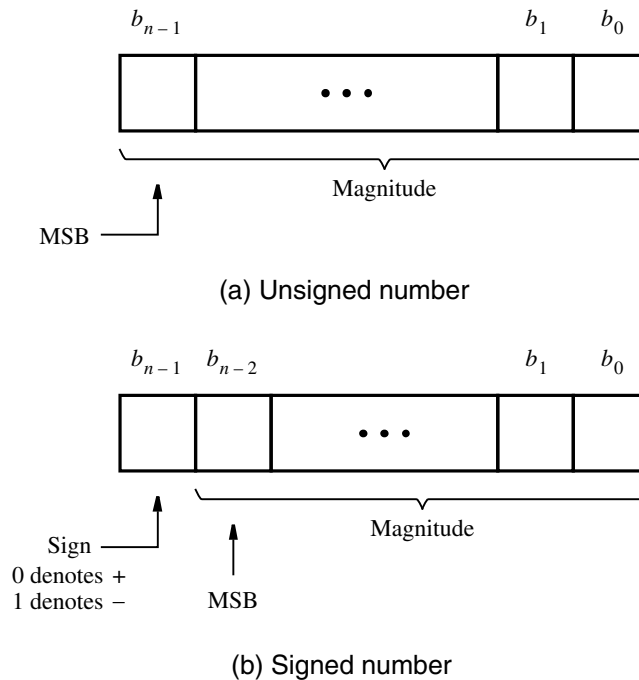
(b) Efficient design

**Figure 3.6** Circuit that multiplies an eight-bit unsigned number by 3.

equal to  $2A$ . Then a single ripple-carry adder suffices for implementing  $3A$ , as shown in Figure 3.6*b*. This is essentially the same circuit as the second adder in part (a) of the figure. Note that the input  $x_0$  is connected to a constant 0. Note also that in the second adder in part (a) of the figure the value of  $x_0$  is always 0, even though it is driven by the least-significant bit,  $s_0$ , of the sum of the first adder. Because  $x_0 = y_0 = a_0$  in the first adder, the sum bit  $s_0$  will be 0, whether  $a_0$  is 0 or 1.

### 3.3 SIGNED NUMBERS

In the decimal system the sign of a number is indicated by a  $+$  or  $-$  symbol to the left of the most-significant digit. In the binary system the *sign* of a number is denoted by the left-most bit. For a positive number the left-most bit is equal to 0, and for a negative number it is equal to 1. Therefore, in signed numbers the left-most bit represents the sign, and the remaining  $n - 1$  bits represent the magnitude, as illustrated in Figure 3.7. It is important to note the difference in the location of the most-significant bit (MSB). In unsigned numbers all bits represent the magnitude of a number; hence all  $n$  bits are *significant* in defining the magnitude. Therefore, the MSB is the left-most bit,  $b_{n-1}$ . In signed numbers there are  $n - 1$  significant bits, and the MSB is in bit position  $b_{n-2}$ .



**Figure 3.7** Formats for representation of integers.

### 3.3.1 NEGATIVE NUMBERS

Positive numbers are represented using the positional number representation as explained in the previous section. Negative numbers can be represented in three different ways: sign-and-magnitude, 1's complement, and 2's complement.

#### Sign-and-Magnitude Representation

In the familiar decimal representation, the magnitude of both positive and negative numbers is expressed in the same way. The sign symbol distinguishes a number as being positive or negative. This scheme is called the *sign-and-magnitude* number representation. The same scheme can be used with binary numbers in which case the sign bit is 0 or 1 for positive or negative numbers, respectively. For example, if we use four-bit numbers, then  $+5 = 0101$  and  $-5 = 1101$ . Because of its similarity to decimal sign-and-magnitude numbers, this representation is easy to understand. However, as we will see shortly, this representation is not well suited for use in computers. More suitable representations are based on complementary systems, explained below.

#### 1's Complement Representation

In a complementary number system, the negative numbers are defined according to a subtraction operation involving positive numbers. We will consider two schemes for binary numbers: the 1's complement and the 2's complement. In the *1's complement* scheme, an  $n$ -bit negative number,  $K$ , is obtained by subtracting its equivalent positive number,  $P$ , from  $2^n - 1$ ; that is,  $K = (2^n - 1) - P$ . For example, if  $n = 4$ , then  $K = (2^4 - 1) - P = (15)_{10} - P = (1111)_2 - P$ . If we convert  $+5$  to a negative, we get  $-5 = 1111 - 0101 = 1010$ . Similarly,  $+3 = 0011$  and  $-3 = 1111 - 0011 = 1100$ . Clearly, the 1's complement can be obtained simply by complementing each bit of the number, including the sign bit. While 1's complement numbers are easy to derive, they have some drawbacks when used in arithmetic operations, as we will see in the next section.

#### 2's Complement Representation

In the 2's complement scheme, a negative number,  $K$ , is obtained by subtracting its equivalent positive number,  $P$ , from  $2^n$ ; namely,  $K = 2^n - P$ . Using our four-bit example,  $-5 = 10000 - 0101 = 1011$ , and  $-3 = 10000 - 0011 = 1101$ . Finding 2's complements in this manner requires performing a subtraction operation that involves borrows. However, we can observe that if  $K_1$  is the 1's complement of  $P$  and  $K_2$  is the 2's complement of  $P$ , then

$$\begin{aligned} K_1 &= (2^n - 1) - P \\ K_2 &= 2^n - P \end{aligned}$$

It follows that  $K_2 = K_1 + 1$ . Thus a simpler way of finding a 2's complement of a number is to add 1 to its 1's complement because finding a 1's complement is trivial. This is how 2's complement numbers are obtained in logic circuits that perform arithmetic operations.

The reader will need to develop an ability to find 2's complement numbers quickly. There is a simple rule that can be used for this purpose.

### Rule for Finding 2's Complements

Given a number  $B = b_{n-1}b_{n-2} \cdots b_1b_0$ , its 2's complement,  $K = k_{n-1}k_{n-2} \cdots k_1k_0$ , can be found by examining the bits of  $B$  from right to left and taking the following action: copy all bits of  $B$  that are 0 and the first bit that is 1; then simply complement the rest of the bits.

For example, if  $B = 0110$ , then we copy  $k_0 = b_0 = 0$  and  $k_1 = b_1 = 1$ , and complement the rest so that  $k_2 = \bar{b}_2 = 0$  and  $k_3 = \bar{b}_3 = 1$ . Hence  $K = 1010$ . As another example, if  $B = 10110100$ , then  $K = 01001100$ . We leave the proof of this rule as an exercise for the reader.

Table 3.2 illustrates the interpretation of all 16 four-bit patterns in the three signed-number representations that we have considered. Note that for both sign-and-magnitude representation and for 1's complement representation there are two patterns that represent the value zero. For 2's complement there is only one such pattern. Also, observe that the range of numbers that can be represented with four bits in 2's complement form is  $-8$  to  $+7$ , while in the other two representations it is  $-7$  to  $+7$ .

Using 2's-complement representation, an  $n$ -bit number  $B = b_{n-1}b_{n-2} \cdots b_1b_0$  represents the value

$$V(B) = (-b_{n-1} \times 2^{n-1}) + b_{n-2} \times 2^{n-2} + \cdots + b_1 \times 2^1 + b_0 \times 2^0 \quad \mathbf{[3.2]}$$

Thus the largest negative number,  $100 \dots 00$ , has the value  $-2^{n-1}$ . The largest positive number,  $011 \dots 11$ , has the value  $2^{n-1} - 1$ .

**Table 3.2** Interpretation of four-bit signed integers.

$b_3b_2b_1b_0$	Sign and magnitude	1's complement	2's complement
0111	+7	+7	+7
0110	+6	+6	+6
0101	+5	+5	+5
0100	+4	+4	+4
0011	+3	+3	+3
0010	+2	+2	+2
0001	+1	+1	+1
0000	+0	+0	+0
1000	-0	-7	-8
1001	-1	-6	-7
1010	-2	-5	-6
1011	-3	-4	-5
1100	-4	-3	-4
1101	-5	-2	-3
1110	-6	-1	-2
1111	-7	-0	-1

### 3.3.2 ADDITION AND SUBTRACTION

To assess the suitability of different number representations, it is necessary to investigate their use in arithmetic operations—particularly in addition and subtraction. We can illustrate the good and bad aspects of each representation by considering very small numbers. We will use four-bit numbers, consisting of a sign bit and three significant bits. Thus the numbers have to be small enough so that the magnitude of their sum can be expressed in three bits, which means that the sum cannot exceed the value 7.

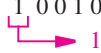

Addition of positive numbers is the same for all three number representations. It is actually the same as the addition of unsigned numbers discussed in Section 3.2. But there are significant differences when negative numbers are involved. The difficulties that arise become apparent if we consider operands with different combinations of signs.

#### Sign-and-Magnitude Addition

If both operands have the same sign, then the addition of sign-and-magnitude numbers is simple. The magnitudes are added, and the resulting sum is given the sign of the operands. However, if the operands have opposite signs, the task becomes more complicated. Then it is necessary to subtract the smaller number from the larger one. This means that logic circuits that compare and subtract numbers are also needed. We will see shortly that it is possible to perform subtraction without the need for this circuitry. For this reason, the sign-and-magnitude representation is not used in computers.

#### 1's Complement Addition

An obvious advantage of the 1's complement representation is that a negative number is generated simply by complementing all bits of the corresponding positive number. Figure 3.8 shows what happens when two numbers are added. There are four cases to consider in terms of different combinations of signs. As seen in the top half of the figure, the computation of  $5 + 2 = 7$  and  $(-5) + 2 = (-3)$  is straightforward; a simple addition of the operands gives the correct result. Such is not the case with the other two possibilities. Computing  $5 + (-2) = 3$  produces the bit vector 10010. Because we are dealing with four-bit numbers, there is a carry-out from the sign-bit position. Also, the four bits of the

(+5)	0 1 0 1	(-5)	1 0 1 0
+ (+2)	+ 0 0 1 0	+ (+2)	+ 0 0 1 0
(+7)	0 1 1 1	(-3)	1 1 0 0
(+5)	0 1 0 1	(-5)	1 0 1 0
+ (-2)	+ 1 1 0 1	+ (-2)	+ 1 1 0 1
(+3)	1 0 0 1 0	(-7)	1 0 1 1 1
			
	0 0 1 1		1 0 0 0

**Figure 3.8** Examples of 1's complement addition.



result represent the number 2 rather than 3, which is a wrong result. Interestingly, if we take the carry-out from the sign-bit position and add it to the result in the least-significant bit position, the new result is the correct sum of 3. This correction is indicated in blue in the figure. A similar situation arises when adding  $(-5) + (-2) = (-7)$ . After the initial addition the result is wrong because the four bits of the sum are 0111, which represents  $+7$  rather than  $-7$ . But again, there is a carry-out from the sign-bit position, which can be used to correct the result by adding it in the LSB position, as shown in Figure 3.8.

The conclusion from these examples is that the addition of 1's complement numbers may or may not be simple. In some cases a correction is needed, which amounts to an extra addition that must be performed. Consequently, the time needed to add two 1's complement numbers may be twice as long as the time needed to add two unsigned numbers.

### 2's Complement Addition


Consider the same combinations of numbers as used in the 1's complement example. Figure 3.9 indicates how the addition is performed using 2's complement numbers. Adding  $5 + 2 = 7$  and  $(-5) + 2 = (-3)$  is straightforward. The computation  $5 + (-2) = 3$  generates the correct four bits of the result, namely 0011. There is a carry-out from the sign-bit position, which we can simply ignore. The fourth case is  $(-5) + (-2) = (-7)$ . Again, the four bits of the result, 1001, give the correct sum  $(-7)$ . In this case also, the carry-out from the sign-bit position can be ignored.

As illustrated by these examples, the addition of 2's complement numbers is very simple. When the numbers are added, the result is always correct. If there is a carry-out from the sign-bit position, it is simply ignored. Therefore, the addition process is the same, regardless of the signs of the operands. It can be performed by an adder circuit, such as the one shown in Figure 3.5. Hence the 2's complement notation is highly suitable for the implementation of addition operations. We will now consider its use in subtraction operations.


(+5)	0 1 0 1	(-5)	1 0 1 1
+ (+2)	+ 0 0 1 0	+ (+2)	+ 0 0 1 0
<hr style="width: 100%;"/>	<hr style="width: 100%;"/>	<hr style="width: 100%;"/>	<hr style="width: 100%;"/>
(+7)	0 1 1 1	(-3)	1 1 0 1

(+5)	0 1 0 1	(-5)	1 0 1 1
+ (-2)	+ 1 1 1 0	+ (-2)	+ 1 1 1 0
<hr style="width: 100%;"/>	<hr style="width: 100%;"/>	<hr style="width: 100%;"/>	<hr style="width: 100%;"/>
(+3)	1 0 0 1 1	(-7)	1 1 0 0 1



ignore



ignore

**Figure 3.9** Examples of 2's complement addition.

### 2's Complement Subtraction

The easiest way of performing subtraction is to negate the subtrahend and add it to the minuend. This is done by finding the 2's complement of the subtrahend and then performing the addition. Figure 3.10 illustrates the process. The operation  $5 - (+2) = 3$  involves finding the 2's complement of  $+2$ , which is  $1110$ . When this number is added to  $0101$ , the result is  $0011 (= +3)$  and a carry-out from the sign-bit position occurs, which is ignored. A similar situation arises for  $(-5) - (+2) = (-7)$ . In the remaining two cases there is no carry-out, and the result is correct.

As a graphical aid to visualize the addition and subtraction examples in Figures 3.9 and 3.10, we can place all possible four-bit patterns on a modulo-16 circle given in Figure 3.11a. If these bit patterns represented unsigned integers, they would be numbers 0 to 15. If they represent 2's-complement integers, then the numbers range from  $-8$  to  $+7$ , as shown. The addition operation is done by stepping in the clockwise direction by the magnitude of the number to be added. For example,  $-5 + 2$  is determined by starting at  $1011 (= -5)$  and moving clockwise two steps, giving the result  $1101 (= -3)$ . Figure 3.11b shows how subtraction can be performed on the modulo-16 circle, using the example  $5 - 2 = 3$ . We can start at  $0101 (= +5)$  and move counterclockwise by two steps, which gives  $0011 (= +3)$ . But, we can also use the 2's complement of 2 and add this value by stepping in the clockwise

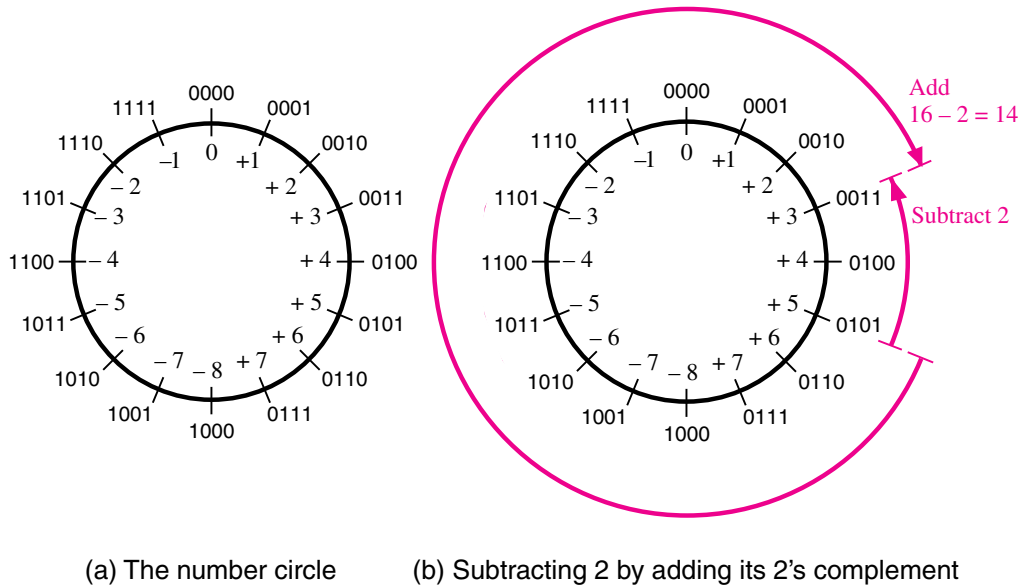
$(+5)$	$0101$		$0101$
$- (+2)$	$- 0010$	$\Rightarrow$	$+ 1110$
$(+3)$	$\hline$		$\hline$
			$10011$
			$\uparrow$
			ignore

$(-5)$	$1011$		$1011$
$- (+2)$	$- 0010$	$\Rightarrow$	$+ 1110$
$(-7)$	$\hline$		$\hline$
			$11001$
			$\uparrow$
			ignore

$(+5)$	$0101$		$0101$
$- (-2)$	$- 1110$	$\Rightarrow$	$+ 0010$
$(+7)$	$\hline$		$\hline$
			$0111$

$(-5)$	$1011$		$1011$
$- (-2)$	$- 1110$	$\Rightarrow$	$+ 0010$
$(-3)$	$\hline$		$\hline$
			$1101$

**Figure 3.10** Examples of 2's complement subtraction.



**Figure 3.11** Graphical interpretation of four-bit 2's complement numbers.

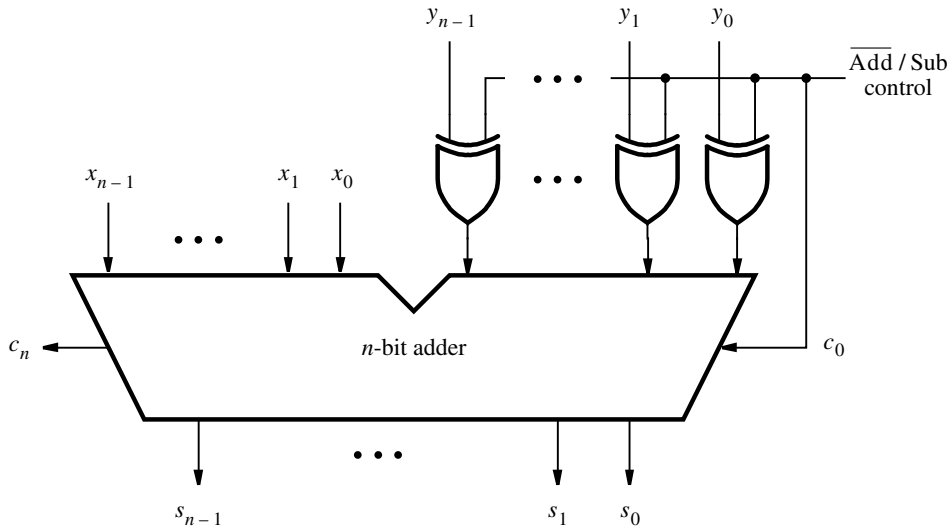
direction as shown in the figure. Since there are 16 numbers on the circle, the value we need to add is  $16 - 2 = (14)_{10} = (1110)_2$ .

The key conclusion of this section is that the subtraction operation can be realized as the addition operation, using a 2's complement of the subtrahend, regardless of the signs of the two operands. Therefore, it should be possible to use the same adder circuit to perform both addition and subtraction.

### 3.3.3 ADDER AND SUBTRACTOR UNIT

The only difference between performing addition and subtraction is that for subtraction it is necessary to use the 2's complement of one operand. Let  $X$  and  $Y$  be the two operands, such that  $Y$  serves as the subtrahend in subtraction. From Section 3.3.1 we know that a 2's complement can be obtained by adding 1 to the 1's complement of  $Y$ . Adding 1 in the least-significant bit position can be accomplished simply by setting the carry-in bit  $c_0$  to 1. A 1's complement of a number is obtained by complementing each of its bits. This could be done with NOT gates, but we need a more flexible circuit where we can use the true value of  $Y$  for addition and its complement for subtraction.

In Section 3.2 we explained that two-input XOR gates can be used to choose between true and complemented versions of an input value, under the control of the other input. This idea can be applied in the design of the adder/subtractor unit as follows. Assume that there exists a control signal that chooses whether addition or subtraction is to be performed. Let



**Figure 3.12** Adder/subtractor unit.

this signal be called  $\overline{\text{Add/Sub}}$ . Also, let its value be 0 for addition and 1 for subtraction. To indicate this fact, we placed a bar over Add. This is a commonly used convention, where a bar over a name means that the action specified by the name is to be taken if the control signal has the value 0. Now let each bit of  $Y$  be connected to one input of an XOR gate, with the other input connected to  $\overline{\text{Add/Sub}}$ . The outputs of the XOR gates represent  $Y$  if  $\overline{\text{Add/Sub}} = 0$ , and they represent the 1's complement of  $Y$  if  $\overline{\text{Add/Sub}} = 1$ . This leads to the circuit in Figure 3.12. The main part of the circuit is an  $n$ -bit adder, which can be implemented using the ripple-carry structure of Figure 3.5. Note that the control signal  $\overline{\text{Add/Sub}}$  is also connected to the carry-in  $c_0$ . This makes  $c_0 = 1$  when subtraction is to be performed, thus adding the 1 that is needed to form the 2's complement of  $Y$ . When the addition operation is performed, we will have  $c_0 = 0$ .

The combined adder/subtractor unit is a good example of an important concept in the design of logic circuits. It is useful to design circuits to be as flexible as possible and to exploit common portions of circuits for as many tasks as possible. This approach minimizes the number of gates needed to implement such circuits, and it reduces the wiring complexity substantially.

### 3.3.4 RADIX-COMPLEMENT SCHEMES\*

The 2's complement scheme is just a special case of radix-complement schemes which we discuss in this section. This general discussion can be skipped without loss of continuity in the context of computer technology.

The idea of performing a subtraction operation by addition of a complement of the subtrahend is not restricted to binary numbers. We can gain some insight into the workings of the 2's complement scheme by considering its counterpart in the decimal number system. Consider the subtraction of two-digit decimal numbers. Computing a result such as  $74 - 33 = 41$  is simple because each digit of the subtrahend is smaller than the corresponding digit of the minuend; therefore, no borrow is needed in the computation. But computing  $74 - 36 = 38$  is not as simple because a borrow is needed in subtracting the least-significant digit. If a borrow occurs, the computation becomes more complicated.

Suppose that we restructure the required computation as follows

$$\begin{aligned} 74 - 36 &= 74 + 100 - 100 - 36 \\ &= 74 + (100 - 36) - 100 \end{aligned}$$

Now two subtractions are needed. Subtracting 36 from 100 still involves borrows. But noting that  $100 = 99 + 1$ , these borrows can be avoided by writing

$$\begin{aligned} 74 - 36 &= 74 + (99 + 1 - 36) - 100 \\ &= 74 + (99 - 36) + 1 - 100 \end{aligned}$$

The subtraction in parentheses does not require borrows; it is performed by subtracting each digit of the subtrahend from 9. We can see a direct correlation between this expression and the one used for 2's complement, as reflected in the circuit in Figure 3.12. The operation  $(99 - 36)$  is analogous to complementing the subtrahend  $Y$  to find its 1's complement, which is the same as subtracting each bit from 1. Using decimal numbers, we find the 9's complement of the subtrahend by subtracting each digit from 9. In Figure 3.12 we add the carry-in of 1 to form the 2's complement of  $Y$ . In our decimal example we perform  $(99 - 36) + 1 = 64$ . Here 64 is the 10's complement of 36. For an  $n$ -digit decimal number,  $N$ , its 10's complement,  $K_{10}$ , is defined as  $K_{10} = 10^n - N$ , while its 9's complement,  $K_9$ , is  $K_9 = (10^n - 1) - N$ .

Thus the required subtraction ( $74 - 36$ ) can be performed by addition of the 10's complement of the subtrahend, as in

$$\begin{aligned} 74 - 36 &= 74 + 64 - 100 \\ &= 138 - 100 \\ &= 38 \end{aligned}$$

The subtraction  $138 - 100$  is trivial because it means that the leading digit in 138 is simply deleted. This is analogous to ignoring the carry-out from the circuit in Figure 3.12, as discussed for the subtraction examples in Figure 3.10.

---

**Example 3.1** Suppose that  $A$  and  $B$  are  $n$ -digit decimal numbers. Using the above 10's-complement approach,  $B$  can be subtracted from  $A$  as follows:

$$A - B = A + (10^n - B) - 10^n$$

If  $A \geq B$ , then the operation  $A + (10^n - B)$  produces a carry-out of 1. This carry is equivalent to  $10^n$ ; hence it can be simply ignored.

But if  $A < B$ , then the operation  $A + (10^n - B)$  produces a carry-out of 0. Let the result obtained be  $M$ , so that

$$A - B = M - 10^n$$

We can rewrite this as

$$10^n - (B - A) = M$$

The left side of this equation is the 10's complement of  $(B - A)$ . The 10's complement of a positive number represents a negative number that has the same magnitude. Hence  $M$  correctly represents the negative value obtained from the computation  $A - B$  when  $A < B$ . This concept is illustrated in the examples that follow.

---

**When** dealing with binary signed numbers we use 0 in the left-most bit position to denote a positive number and 1 to denote a negative number. If we wanted to build hardware that operates on signed decimal numbers, we could use a similar approach. Let 0 in the left-most digit position denote a positive number and let 9 denote a negative number. Note that 9 is the 9's complement of 0 in the decimal system, just as 1 is the 1's complement of 0 in the binary system.

### Example 3.2

Thus, using three-digit signed numbers,  $A = 045$  and  $B = 027$  are positive numbers with magnitudes 45 and 27, respectively. The number  $B$  can be subtracted from  $A$  as follows

$$\begin{aligned} A - B &= 045 - 027 \\ &= 045 + 1000 - 1000 - 027 \\ &= 045 + (999 - 027) + 1 - 1000 \\ &= 045 + 972 + 1 - 1000 \\ &= 1018 - 1000 \\ &= 018 \end{aligned}$$

This gives the correct answer of +18.

Next consider the case where the minuend has lower value than the subtrahend. This is illustrated by the computation

$$\begin{aligned} B - A &= 027 - 045 \\ &= 027 + 1000 - 1000 - 045 \\ &= 027 + (999 - 045) + 1 - 1000 \\ &= 027 + 954 + 1 - 1000 \\ &= 982 - 1000 \end{aligned}$$

From this expression it appears that we still need to perform the subtraction  $982 - 1000$ . But as seen in Example 3.1, this can be rewritten as

$$\begin{aligned} 982 &= 1000 + B - A \\ &= 1000 - (A - B) \end{aligned}$$

Therefore, 982 is the negative number that results when forming the 10's complement of  $(A - B)$ . From the previous computation we know that  $(A - B) = 018$ , which denotes +18. Thus the signed number 982 is the 10's complement representation of  $-18$ , which is the required result.

These examples illustrate that signed numbers can be subtracted without using a subtraction operation that involves borrows. The only subtraction needed is in forming the 9's complement of the subtrahend, in which case each digit is simply subtracted from 9. Thus a circuit that forms the 9's complement, combined with a normal adder circuit, will suffice for both addition and subtraction of decimal signed numbers. A key point is that the hardware needs to deal only with  $n$  digits if  $n$ -digit numbers are used. Any carry that may be generated from the left-most digit position is simply ignored.

The concept of subtracting a number by adding its radix-complement is general. If the radix is  $r$ , then the  $r$ 's complement,  $K_r$ , of an  $n$ -digit number,  $N$ , is determined as  $K_r = r^n - N$ . The  $(r - 1)$ 's complement,  $K_{r-1}$ , is defined as  $K_{r-1} = (r^n - 1) - N$ ; it is computed simply by subtracting each digit of  $N$  from the value  $(r - 1)$ . The  $(r - 1)$ 's complement is referred to as the *diminished-radix complement*. Circuits for forming the  $(r - 1)$ 's complements are simpler than those for general subtraction that involves borrows. The circuits are particularly simple in the binary case, where the 1's complement requires just inverting each bit.

**Example 3.3** In Figure 3.10 we illustrated the subtraction operation on binary numbers given in 2's-complement representation. Consider the computation  $(+5) - (+2) = (+3)$ , using the approach discussed above. Each number is represented by a four-bit pattern. The value  $2^4$  is represented as 10000. Then

$$\begin{aligned} 0101 - 0010 &= 0101 + (10000 - 0010) - 10000 \\ &= 0101 + (1111 - 0010) + 1 - 10000 \\ &= 0101 + 1101 + 1 - 10000 \\ &= 10011 - 10000 \\ &= 0011 \end{aligned}$$

Because  $5 > 2$ , there is a carry from the fourth bit position. It represents the value  $2^4$ , denoted by the pattern 10000.

**Example 3.4** Consider now the computation  $(+2) - (+5) = (-3)$ , which gives

$$\begin{aligned} 0010 - 0101 &= 0010 + (10000 - 0101) - 10000 \\ &= 0010 + (1111 - 0101) + 1 - 10000 \\ &= 0010 + 1010 + 1 - 10000 \\ &= 1101 - 10000 \end{aligned}$$

Because  $2 < 5$ , there is no carry from the fourth bit position. The answer, 1101, is the 2's-complement representation of  $-3$ . Note that

$$\begin{aligned} 1101 &= 10000 + 0010 - 0101 \\ &= 10000 - (0101 - 0010) \\ &= 10000 - 0011 \end{aligned}$$

indicating that 1101 is the 2's complement of 0011 ( $+3$ ).

---

Finally, consider the case where the subtrahend is a negative number. The computation  $(+5) - (-2) = (+7)$  is done as follows **Example 3.5**

$$\begin{aligned} 0101 - 1110 &= 0101 + (10000 - 1110) - 10000 \\ &= 0101 + (1111 - 1110) + 1 - 10000 \\ &= 0101 + 0001 + 1 - 10000 \\ &= 0111 - 10000 \end{aligned}$$

While  $5 > (-2)$ , the pattern 1110 is greater than the pattern 0101 when the patterns are treated as unsigned numbers. Therefore, there is no carry from the fourth bit position. The answer 0111 is the 2's complement representation of  $+7$ . Note that

$$\begin{aligned} 0111 &= 10000 + 0101 - 1110 \\ &= 10000 - (1110 - 0101) \\ &= 10000 - 1001 \end{aligned}$$

and 1001 represents  $-7$ .

### 3.3.5 ARITHMETIC OVERFLOW

The result of addition or subtraction is supposed to fit within the significant bits used to represent the numbers. If  $n$  bits are used to represent signed numbers, then the result must be in the range  $-2^{n-1}$  to  $2^{n-1} - 1$ . If the result does not fit in this range, then we say that *arithmetic overflow* has occurred. To ensure the correct operation of an arithmetic circuit, it is important to be able to detect the occurrence of overflow.

Figure 3.13 presents the four cases where 2's-complement numbers with magnitudes of 7 and 2 are added. Because we are using four-bit numbers, there are three significant bits,  $b_{2-0}$ . When the numbers have opposite signs, there is no overflow. But if both numbers have the same sign, the magnitude of the result is 9, which cannot be represented with just three significant bits; therefore, overflow occurs. The key to determining whether overflow occurs is the carry-out from the MSB position, called  $c_3$  in the figure, and from the sign-bit position, called  $c_4$ . The figure indicates that overflow occurs when these carry-outs have different values, and a correct sum is produced when they have the same value. Indeed, this is true in general for both addition and subtraction of 2's-complement numbers. As a quick



(+7)	0 1 1 1	(-7)	1 0 0 1
+ (+2)	+ 0 0 1 0	+ (+2)	+ 0 0 1 0
(+9)	1 0 0 1	(-5)	1 0 1 1
	$c_4 = 0$		$c_4 = 0$
	$c_3 = 1$		$c_3 = 0$
(+7)	0 1 1 1	(-7)	1 0 0 1
+ (-2)	+ 1 1 1 0	+ (-2)	+ 1 1 1 0
(+5)	1 0 1 0 1	(-9)	1 0 1 1 1
	$c_4 = 1$		$c_4 = 1$
	$c_3 = 1$		$c_3 = 0$

**Figure 3.13** Examples for determination of overflow.

check of this statement, consider the examples in Figure 3.9 where the numbers are small enough so that overflow does not occur in any case. In the top two examples in the figure, there is a carry-out of 0 from both sign and MSB positions. In the bottom two examples, there is a carry-out of 1 from both positions. Therefore, for the examples in Figures 3.9 and 3.13, the occurrence of overflow is detected by

$$\begin{aligned}\text{Overflow} &= c_3\bar{c}_4 + \bar{c}_3c_4 \\ &= c_3 \oplus c_4\end{aligned}$$

For  $n$ -bit numbers we have

$$\text{Overflow} = c_{n-1} \oplus c_n$$

Thus the circuit in Figure 3.12 can be modified to include overflow checking with the addition of one XOR gate.

An alternative and more intuitive way of detecting the arithmetic overflow is to observe that overflow occurs if both summands have the same sign but the resulting sum has a different sign. Let  $X = x_3x_2x_1x_0$  and  $Y = y_3y_2y_1y_0$  represent four-bit 2's-complement numbers, and let  $S = s_3s_2s_1s_0$  be the sum  $S = X + Y$ . Then

$$\text{Overflow} = x_3y_3\bar{s}_3 + \bar{x}_3\bar{y}_3s_3$$

The carry-out and overflow signals indicate whether the result of a given addition is too large to fit into the number of bits available to represent the sum. The carry-out is meaningful only when unsigned numbers are involved, while the overflow is meaningful only in the case of signed numbers. In a typical computer, it is prudent to use the same adder circuits for dealing with both unsigned and signed operands, thus reducing the amount of circuitry required. This means that both the carry-out and overflow signals should be generated, as

we have discussed. Then, a program instruction that specifies unsigned operands can use the carry-out signal, while an instruction that has signed operands can use the overflow signal.

### 3.3.6 PERFORMANCE ISSUES

When buying a digital system, such as a computer, the buyer pays particular attention to the performance that the system is expected to provide and to the cost of acquiring the system. Superior performance usually comes at a higher cost. However, a large increase in performance can often be achieved at a modest increase in cost. A commonly used indicator of the value of a system is its *price/performance ratio*.

The addition and subtraction of numbers are fundamental operations that are performed frequently in the course of a computation. The speed with which these operations are performed has a strong impact on the overall performance of a computer. In light of this, let us take a closer look at the speed of the adder/subtractor unit in Figure 3.12. We are interested in the largest delay from the time the operands  $X$  and  $Y$  are presented as inputs, until the time all bits of the sum  $S$  and the final carry-out,  $c_n$ , are valid. Most of this delay is caused by the  $n$ -bit adder circuit. Assume that the adder is implemented using the ripple-carry structure in Figure 3.5 and that each full-adder stage is the circuit in Figure 3.3c. The delay for the carry-out signal in this circuit,  $\Delta t$ , is equal to two gate delays. From Section 3.2.2 we know that the final result of the addition will be valid after a delay of  $n\Delta t$ , which is equal to  $2n$  gate delays. In addition to the delay in the ripple-carry path, there is also a delay in the XOR gates that feed either the true or complemented value of  $Y$  to the adder inputs. If this delay is equal to one gate delay, then the total delay of the circuit in Figure 3.12 is  $2n + 1$  gate delays. For a large  $n$ , say  $n = 32$  or  $n = 64$ , the delay would lead to unacceptably poor performance. Therefore, it is important to find faster circuits to perform addition.

The speed of any circuit is limited by the longest delay along the paths through the circuit. In the case of the circuit in Figure 3.12, the longest delay is along the path from the  $y_i$  input, through the XOR gate and through the carry circuit of each adder stage. The longest delay is often referred to as the *critical-path delay*, and the path that causes this delay is called the *critical path*.

---

## 3.4 FAST ADDERS

The performance of a large digital system is dependent on the speed of circuits that form its various functional units. Obviously, better performance can be achieved using faster circuits. This can be accomplished by using superior (usually newer) technology in which the delays in basic gates are reduced. But it can also be accomplished by changing the overall structure of a functional unit, which may lead to even more impressive improvement. In this section we will discuss an alternative for implementation of an  $n$ -bit adder, which substantially reduces the time needed to add numbers.

### 3.4.1 CARRY-LOOKAHEAD ADDER

To reduce the delay caused by the effect of carry propagation through the ripple-carry adder, we can attempt to evaluate quickly for each stage whether the carry-in from the previous stage will have a value 0 or 1. If a correct evaluation can be made in a relatively short time, then the performance of the complete adder will be improved.

From Figure 3.3*b* the carry-out function for stage  $i$  can be realized as

$$c_{i+1} = x_i y_i + x_i c_i + y_i c_i$$

If we factor this expression as

$$c_{i+1} = x_i y_i + (x_i + y_i) c_i$$

then it can be written as

$$c_{i+1} = g_i + p_i c_i \quad \mathbf{[3.3]}$$

where

$$g_i = x_i y_i$$

$$p_i = x_i + y_i$$

The function  $g_i$  is equal to 1 when both inputs  $x_i$  and  $y_i$  are equal to 1, regardless of the value of the incoming carry to this stage,  $c_i$ . Since in this case stage  $i$  is guaranteed to generate a carry-out,  $g$  is called the *generate* function. The function  $p_i$  is equal to 1 when at least one of the inputs  $x_i$  and  $y_i$  is equal to 1. In this case a carry-out is produced if  $c_i = 1$ . The effect is that the carry-in of 1 is propagated through stage  $i$ ; hence  $p_i$  is called the *propagate* function.

Expanding the expression 3.3 in terms of stage  $i - 1$  gives

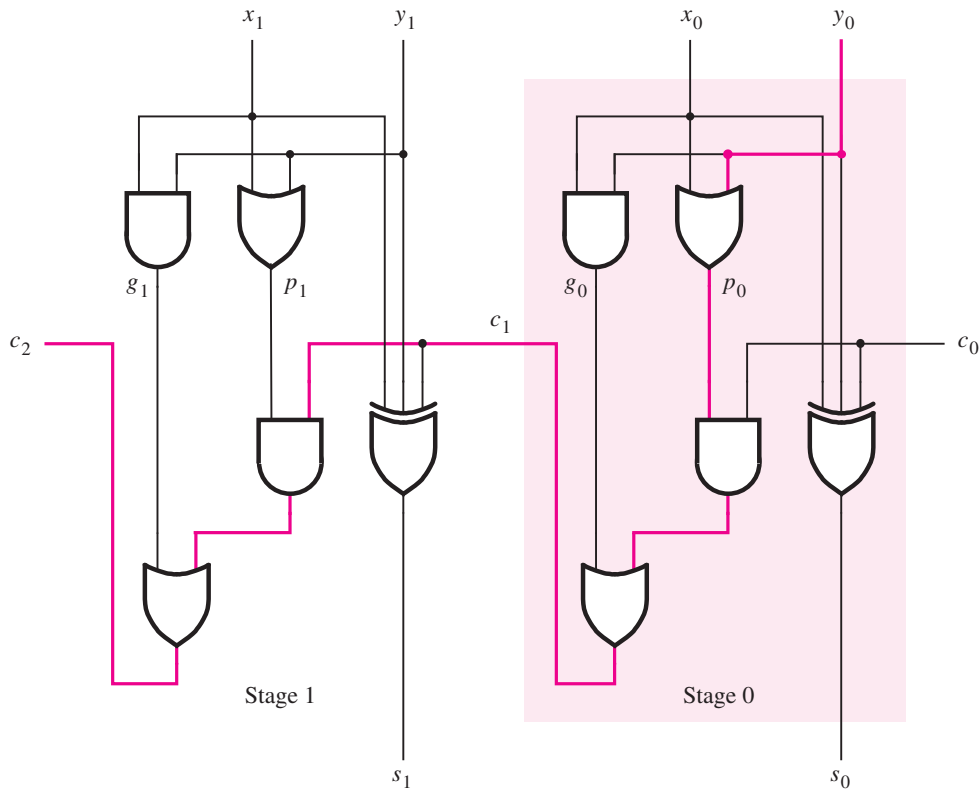
$$\begin{aligned} c_{i+1} &= g_i + p_i (g_{i-1} + p_{i-1} c_{i-1}) \\ &= g_i + p_i g_{i-1} + p_i p_{i-1} c_{i-1} \end{aligned}$$

The same expansion for other stages, ending with stage 0, gives

$$c_{i+1} = g_i + p_i g_{i-1} + p_i p_{i-1} g_{i-2} + \cdots + p_i p_{i-1} \cdots p_2 p_1 g_0 + p_i p_{i-1} \cdots p_1 p_0 c_0 \quad \mathbf{[3.4]}$$

This expression represents a two-level AND-OR circuit in which  $c_{i+1}$  is evaluated very quickly. An adder based on this expression is called a *carry-lookahead adder*.

To appreciate the physical meaning of expression 3.4, it is instructive to consider its effect on the construction of a fast adder in comparison with the details of the ripple-carry adder. We will do so by examining the detailed structure of the two stages that add the least-significant bits, namely, stages 0 and 1. Figure 3.14 shows the first two stages of a ripple-carry adder in which the carry-out functions are implemented as indicated in expression 3.3. Each stage is essentially the circuit from Figure 3.3*c* except that an extra OR gate is used (which produces the  $p_i$  signal), instead of an AND gate because we factored the sum-of-products expression for  $c_{i+1}$ .



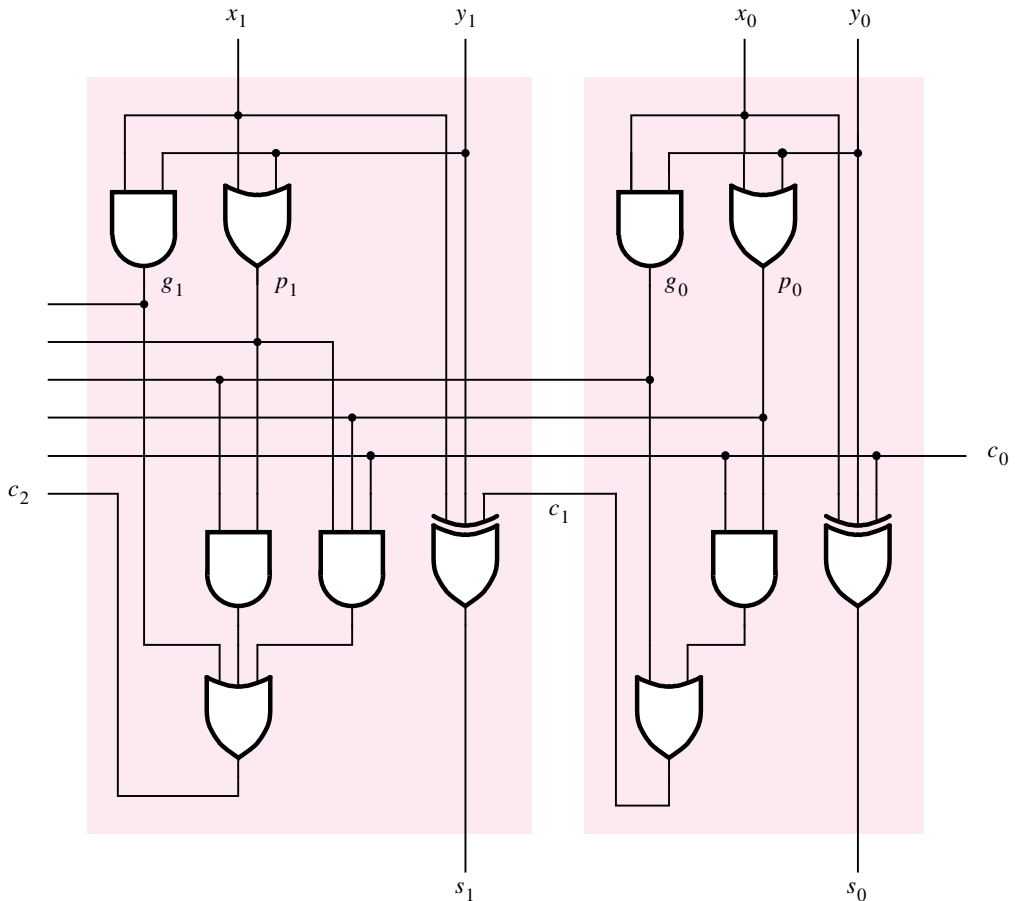
**Figure 3.14** A ripple-carry adder based on expression 3.3.

The slow speed of the ripple-carry adder is caused by the long path along which a carry signal must propagate. In Figure 3.14 the critical path is from inputs  $x_0$  and  $y_0$  to the output  $c_2$ . It passes through five gates, as highlighted in blue. The path in other stages of an  $n$ -bit adder is the same as in stage 1. Therefore, the total number of gate delays along the critical path is  $2n + 1$ .

Figure 3.15 gives the first two stages of the carry-lookahead adder, using expression 3.4 to implement the carry-out functions. Thus

$$\begin{aligned}c_1 &= g_0 + p_0c_0 \\c_2 &= g_1 + p_1g_0 + p_1p_0c_0\end{aligned}$$

This circuit does not have the long ripple-carry path that is present in Figure 3.14. Instead, all carry signals are produced after three gate delays: one gate delay is needed to produce the generate and propagate signals  $g_0$ ,  $g_1$ ,  $p_0$ , and  $p_1$ , and two more gate delays are needed to produce  $c_1$  and  $c_2$  concurrently. Extending the circuit to  $n$  bits, the final carry-out signal

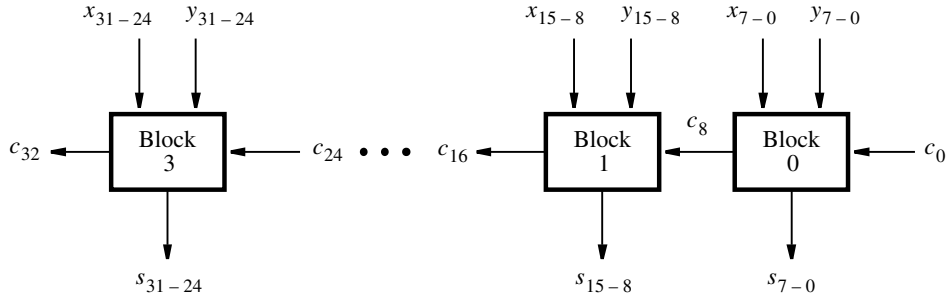


**Figure 3.15** The first two stages of a carry-lookahead adder.

$c_n$  would also be produced after only three gate delays because expression 3.4 is just a large two-level (AND-OR) circuit.

The total delay in the  $n$ -bit carry-lookahead adder is four gate delays. The values of all  $g_i$  and  $p_i$  signals are determined after one gate delay. It takes two more gate delays to evaluate all carry signals. Finally, it takes one more gate delay (XOR) to generate all sum bits. The key to the good performance of the adder is quick evaluation of carry signals.

The complexity of an  $n$ -bit carry-lookahead adder increases rapidly as  $n$  becomes larger. To reduce the complexity, we can use a *hierarchical* approach in designing large adders. Suppose that we want to design a 32-bit adder. We can divide this adder into 4 eight-bit blocks, such that block 0 adds bits 7 ... 0, block 1 adds bits 15 ... 8, block 2 adds bits 23 ... 16, and block 3 adds bits 31 ... 24. Then we can implement each block as an eight-bit carry-lookahead adder. The carry-out signals from the four blocks are  $c_8$ ,  $c_{16}$ ,  $c_{24}$ ,



**Figure 3.16** A hierarchical carry-lookahead adder with ripple-carry between blocks.

and  $c_{32}$ . Now we have two possibilities. We can connect the four blocks as four stages in a ripple-carry adder. Thus while carry-lookahead is used within each block, the carries ripple between the blocks. This circuit is illustrated in Figure 3.16.

Instead of using a ripple-carry approach between blocks, a faster circuit can be designed in which a second-level carry-lookahead is performed to produce quickly the carry signals between blocks. The structure of this “hierarchical carry-lookahead adder” is shown in Figure 3.17. Each block in the top row includes an eight-bit carry-lookahead adder, based on generate and propagate signals for each stage in the block, as discussed before. However, instead of producing a carry-out signal from the most-significant bit of the block, each block produces generate and propagate signals for the entire block. Let  $G_j$  and  $P_j$  denote these signals for each block  $j$ . Now  $G_j$  and  $P_j$  can be used as inputs to a second-level carry-lookahead circuit at the bottom of Figure 3.17, which evaluates all carries between blocks. We can derive the block generate and propagate signals for block 0 by examining the expression for  $c_8$

$$c_8 = g_7 + p_7g_6 + p_7p_6g_5 + p_7p_6p_5g_4 + p_7p_6p_5p_4g_3 + p_7p_6p_5p_4p_3g_2 \\ + p_7p_6p_5p_4p_3p_2g_1 + p_7p_6p_5p_4p_3p_2p_1g_0 + p_7p_6p_5p_4p_3p_2p_1p_0c_0$$

The last term in this expression specifies that, if all eight propagate functions are 1, then the carry-in  $c_0$  is propagated through the entire block. Hence

$$P_0 = p_7p_6p_5p_4p_3p_2p_1p_0$$

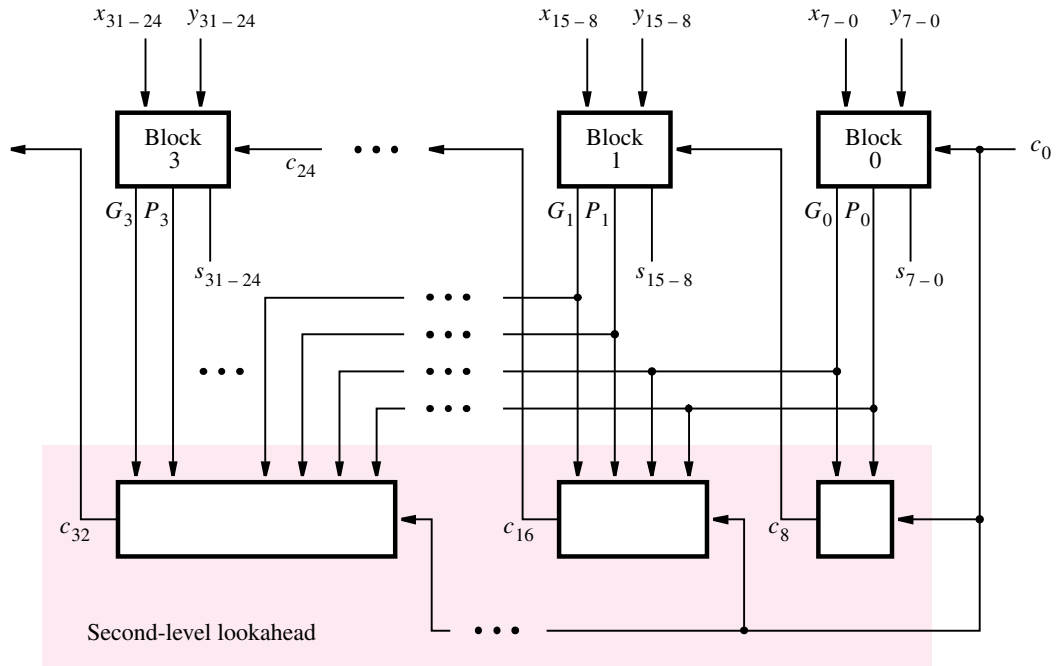
The rest of the terms in the expression for  $c_8$  represent all other cases when the block produces a carry-out. Thus

$$G_0 = g_7 + p_7g_6 + p_7p_6g_5 + \cdots + p_7p_6p_5p_4p_3p_2p_1g_0$$

The expression for  $c_8$  in the hierarchical adder is given by

$$c_8 = G_0 + P_0c_0$$

For block 1 the expressions for  $G_1$  and  $P_1$  have the same form as for  $G_0$  and  $P_0$  except that each subscript  $i$  is replaced by  $i + 8$ . The expressions for  $G_2$ ,  $P_2$ ,  $G_3$ , and  $P_3$  are derived in



**Figure 3.17** A hierarchical carry-lookahead adder.

the same way. The expression for the carry-out of block 1,  $c_{16}$ , is

$$\begin{aligned} c_{16} &= G_1 + P_1 c_8 \\ &= G_1 + P_1 G_0 + P_1 P_0 c_0 \end{aligned}$$

Similarly, the expressions for  $c_{24}$  and  $c_{32}$  are

$$\begin{aligned} c_{24} &= G_2 + P_2 G_1 + P_2 P_1 G_0 + P_2 P_1 P_0 c_0 \\ c_{32} &= G_3 + P_3 G_2 + P_3 P_2 G_1 + P_3 P_2 P_1 G_0 + P_3 P_2 P_1 P_0 c_0 \end{aligned}$$

Using this scheme, it takes two more gate delays to produce the carry signals  $c_8$ ,  $c_{16}$ ,  $c_{24}$ , and  $c_{32}$  than the time needed to generate the  $G_j$  and  $P_j$  functions. Therefore, since  $G_j$  and  $P_j$  require three gate delays,  $c_8$ ,  $c_{16}$ ,  $c_{24}$ , and  $c_{32}$  are available after five gate delays. The time needed to add two 32-bit numbers involves these five gate delays plus two more to produce the internal carries in blocks 1, 2, and 3, plus one more gate delay (XOR) to generate each sum bit. This gives a total of eight gate delays.

In Section 3.3.6 we determined that it takes  $2n + 1$  gate delays to add two numbers using a ripple-carry adder. For 32-bit numbers this implies 65 gate delays. It is clear that the carry-lookahead adder offers a large performance improvement. The trade-off is much greater complexity of the required circuit.

### Technology Considerations

The preceding delay analysis assumes that gates with any number of inputs can be used. But, the number of gate inputs, referred to as the *fan-in* of the gate, has to be limited in practice as we discuss in Appendix B. Therefore the reality of fan-in constraints must be taken into account. To illustrate this problem, consider the expressions for the first eight carries:

$$\begin{aligned}c_1 &= g_0 + p_0c_0 \\c_2 &= g_1 + p_1g_0 + p_1p_0c_0 \\&\vdots \\c_8 &= g_7 + p_7g_6 + p_7p_6g_5 + p_7p_6p_5g_4 + p_7p_6p_5p_4g_3 + p_7p_6p_5p_4p_3g_2 \\&\quad + p_7p_6p_5p_4p_3p_2g_1 + p_7p_6p_5p_4p_3p_2p_1g_0 + p_7p_6p_5p_4p_3p_2p_1p_0c_0\end{aligned}$$

Suppose that the maximum fan-in of the gates is four inputs. Then it is impossible to implement all of these expressions with a two-level AND-OR circuit. The biggest problem is  $c_8$ , where one of the AND gates requires nine inputs; moreover, the OR gate also requires nine inputs. To meet the fan-in constraint, we can rewrite the expression for  $c_8$  as

$$\begin{aligned}c_8 &= (g_7 + p_7g_6 + p_7p_6g_5 + p_7p_6p_5g_4) + [(p_7p_6p_5p_4)(g_3 + p_3g_2 + p_3p_2g_1 + p_3p_2p_1g_0)] \\&\quad + (p_7p_6p_5p_4)(p_3p_2p_1p_0)c_0\end{aligned}$$

To implement this expression we need ten AND gates and three OR gates. The propagation delay in generating  $c_8$  consists of one gate delay to develop all  $g_i$  and  $p_i$ , two gate delays to produce the sum-of-products terms in parentheses, one gate delay to form the product term in square brackets, and one delay for the final ORing of terms. Hence  $c_8$  is valid after five gate delays, rather than the three gate delays that would be needed without the fan-in constraint.

Because fan-in limitations reduce the speed of the carry-lookahead adder, some devices that are characterized by low fan-in include dedicated circuitry for implementation of fast adders. Examples of such devices include FPGAs, which are described in Appendix B.

---

## 3.5 DESIGN OF ARITHMETIC CIRCUITS USING CAD TOOLS

In this section we show how the arithmetic circuits can be designed by using CAD tools.

### 3.5.1 DESIGN OF ARITHMETIC CIRCUITS USING SCHEMATIC CAPTURE

An obvious way to design an arithmetic circuit via schematic capture is to draw a schematic that contains the necessary logic gates. For example, to create an  $n$ -bit adder, we could first draw a schematic that represents a full-adder. Then an  $n$ -bit ripple-carry adder could be



created by drawing a higher-level schematic that connects together  $n$  instances of the full-adder. A hierarchical schematic created in this manner would look like the circuit shown in Figure 3.5. We could also use this methodology to create an adder/subtractor circuit, such as the circuit depicted in Figure 3.12.

The main problem with this approach is that it is cumbersome, especially when the number of bits is large. This issue is even more apparent if we consider creating a schematic for a carry-lookahead adder. As shown in Section 3.4.1, the carry circuitry in each stage of the carry-lookahead adder becomes increasingly more complex. Hence it is necessary to draw a separate schematic for each stage of the adder. A better approach for creating arithmetic circuits via schematic capture is to use predefined subcircuits.

The schematic capture tools provide a library of graphical symbols that represent basic logic gates. These gates are used to create schematics of relatively simple circuits. In addition to basic gates, most schematic capture tools also provide a library of commonly-used circuits, such as adders. Each circuit is provided as a module that can be imported into a schematic and used as part of a larger circuit.

Different vendors of CAD tools have their specific approaches to how schematic capture is performed. Instead of dealing with the schematic capture approach, we will concentrate on the more convenient and flexible approach of using Verilog to design our circuits.

### 3.5.2 DESIGN OF ARITHMETIC CIRCUITS USING VERILOG

We said in Section 3.5.1 that an obvious way to create an  $n$ -bit adder is to draw a hierarchical schematic that contains  $n$  full-adders. This approach can also be followed by using Verilog, by first creating a Verilog module for a full-adder and then defining a higher-level module that uses  $n$  instances of the full-adder. As a first attempt at designing arithmetic circuits by using Verilog, we will show how to write the hierarchical code for a ripple-carry adder. Hierarchical Verilog code was introduced in Chapter 2.

Suppose that we wish to implement the full-adder circuit given in Figure 3.3c, which has the inputs  $Cin$ ,  $x$ , and  $y$ , and produces the outputs  $s$  and  $Cout$ . One way of specifying this circuit in Verilog is to use the gate-level primitives as shown in Figure 3.18. Each of the three AND gates in the circuit is defined by a separate statement. Verilog allows combining such statements into a single statement as shown in Figure 3.19. In this case, commas are used to separate the definition of each AND gate.

Another possibility is to use functional expressions as indicated in Figure 3.20. The XOR operation is denoted by the  $\wedge$  sign. Again, it is possible to combine the two continuous assignment statements into a single statement as shown in Figure 3.21.

Both of the above approaches result in the same full-adder circuit being synthesized. We can now create a separate Verilog module for the ripple-carry adder, which instantiates the *fulladd* module as a subcircuit. One method of doing this is shown in Figure 3.22. The module comprises the code for a four-bit ripple-carry adder, named *adder4*. One of the four-bit numbers to be added is represented by the four signals  $x_3, x_2, x_1, x_0$ , and the other number is represented by  $y_3, y_2, y_1, y_0$ . The sum is represented by  $s_3, s_2, s_1, s_0$ . The circuit incorporates a carry input, *carryin*, into the least-significant bit position and a carry output, *carryout*, from the most-significant bit position.

```

module fulladd (Cin, x, y, s, Cout);
  input Cin, x, y;
  output s, Cout;

  xor (s, x, y, Cin);
  and (z1, x, y);
  and (z2, x, Cin);
  and (z3, y, Cin);
  or (Cout, z1, z2, z3);

endmodule

```

**Figure 3.18** Verilog code for the full-adder using gate-level primitives.

```

module fulladd (Cin, x, y, s, Cout);
  input Cin, x, y;
  output s, Cout;

  xor (s, x, y, Cin);
  and (z1, x, y),
      (z2, x, Cin),
      (z3, y, Cin);
  or (Cout, z1, z2, z3);

endmodule

```

**Figure 3.19** Another version of Verilog code from Figure 3.18.

The four-bit adder in Figure 3.22 is described using four *instantiation* statements. Each statement begins with the name of the module, *fulladd*, that is being instantiated, followed by an *instance name*. The instance names must be unique. The least-significant stage in the adder is named *stage0* and the most-significant stage is *stage3*. The signal names in the *adder4* module that are to be connected to each input and output port on the *fulladd* module are then listed. These signals are listed in the same order as in the *fulladd* module, namely the order *Cin*, *x*, *y*, *s*, *Cout*.

As discussed in Section 2.10, the signal names associated with each instance of the *fulladd* module implicitly specify how the full-adders are connected together. For example, the carry-out of the *stage0* instance is connected to the carry-in of the *stage1* instance. The synthesized circuit has the same structure as the one shown in Figure 3.5. The *fulladd* module may be included in the same Verilog source code file as the *adder4* module, as we have done in Figure 3.22, but it may also comprise a separate file. In the latter case, the location of the file *fulladd* has to be indicated to the compiler.

```

module fulladd (Cin, x, y, s, Cout);
  input Cin, x, y;
  output s, Cout;

  assign s = x ^ y ^ Cin;
  assign Cout = (x & y) | (x & Cin) | (y & Cin);

endmodule

```

**Figure 3.20** Verilog code for the full-adder using continuous assignment.

```

module fulladd (Cin, x, y, s, Cout);
  input Cin, x, y;
  output s, Cout;

  assign s = x ^ y ^ Cin,
  Cout = (x & y) | (x & Cin) | (y & Cin);

endmodule

```

**Figure 3.21** Another version of Verilog code from Figure 3.20.

```

module adder4 (carryin, x3, x2, x1, x0, y3, y2, y1, y0, s3, s2, s1, s0, carryout);
  input carryin, x3, x2, x1, x0, y3, y2, y1, y0;
  output s3, s2, s1, s0, carryout;

  fulladd stage0 (carryin, x0, y0, s0, c1);
  fulladd stage1 (c1, x1, y1, s1, c2);
  fulladd stage2 (c2, x2, y2, s2, c3);
  fulladd stage3 (c3, x3, y3, s3, carryout);

```

**endmodule**

```

module fulladd (Cin, x, y, s, Cout);
  input Cin, x, y;
  output s, Cout;

  assign s = x ^ y ^ Cin;
  assign Cout = (x & y) | (x & Cin) | (y & Cin);

endmodule

```

**Figure 3.22** Verilog code for a four-bit adder.

### 3.5.3 USING VECTORED SIGNALS

In Figure 3.22 each of the four-bit inputs and the four-bit output of the adder is represented using single-bit signals. A more convenient approach is to use multibit signals, called *vectors*, to represent the numbers. Just as a number is represented in a logic circuit as signals on multiple wires, it can be represented in Verilog code as a multibit vector. An example of an input vector is

```
input [3:0] X;
```

This statement defines  $X$  to be a four-bit vector. Its individual bits can be referred to by using an index value in square brackets. Thus, the most-significant bit (MSB) is referred to as  $X[3]$  and the least-significant bit (LSB) is  $X[0]$ . A two-bit vector that consists of the two middle bits of  $X$  is denoted as  $X[2:1]$ . The symbol  $X$  refers to the entire vector.

Using vectors we can specify the four-bit adder as shown in Figure 3.23. In addition to the input vectors  $X$  and  $Y$ , and output vector  $S$ , we chose to define the carry signals between the full-adder stages as a three-bit vector  $C[3:1]$ . Note that the carry into *stage0* is still called *carryin*, while the carry from *stage3* is called *carryout*. The internal carry signals are defined in the statement

```
wire [3:1] C;
```

In Figure 3.23, signal  $C[1]$  is used to connect the carry output of the full-adder in stage 0 to the carry input of the full-adder in stage 1. Similarly,  $C[2]$  and  $C[3]$  are used to connect the other stages of the adder.

The vector specification gives the bit width in square brackets, as in  $X[3:0]$ . The bit width is specified using the index of the MSB first and the LSB last. Hence,  $X[3]$  is the MSB and  $X[0]$  is the LSB. A reverse ordering can also be used. For example,  $Z[0:3]$  defines a four-bit vector in which  $Z[0]$  is its MSB and  $Z[3]$  is its LSB. The terminology MSB and LSB is natural when vectors are used to represent numbers. In other cases, the bit-select index merely identifies a particular bit in a vector.

```
module adder4 (carryin, X, Y, S, carryout);
    input carryin;
    input [3:0] X, Y;
    output [3:0] S;
    output carryout;
    wire [3:1] C;

    fulladd stage0 (carryin, X[0], Y[0], S[0], C[1]);
    fulladd stage1 (C[1], X[1], Y[1], S[1], C[2]);
    fulladd stage2 (C[2], X[2], Y[2], S[2], C[3]);
    fulladd stage3 (C[3], X[3], Y[3], S[3], carryout);

endmodule
```

**Figure 3.23** A four-bit adder using vectors.

### 3.5.4 USING A GENERIC SPECIFICATION

The approach in designing a ripple-carry adder presented in Figure 3.23 is rather restrictive because the resulting circuit is of a predetermined size of four bits. A similar adder that could add 32-bit numbers would require Verilog code with 32 instances of the full-adder subcircuit defined in separate statements. From the designer's point of view, it is preferable to define a module that could be used to implement an adder of any size, where the size may be given as a parameter.

Verilog allows the use of general parameters that can be given a specific value as desired. For example, an  $n$ -bit vector representing a number may be given as  $X[n-1:0]$ . If  $n$  is defined in the Verilog statement

**parameter** n = 4;

then the bit range of  $X$  is  $[3:0]$ .

The ripple-carry adder in Figure 3.5 can be described using the logic expressions

$$s_k = x_k \oplus y_k \oplus c_k$$

$$c_{k+1} = x_k y_k + x_k c_k + y_k c_k$$

for  $k = 0, 1, \dots, n - 1$ . Instead of instantiating full-adders as in Figure 3.23, these expressions can be used in Verilog to specify the desired adder.

Figure 3.24 shows Verilog code that defines an  $n$ -bit adder. The inputs  $X$  and  $Y$  and the output sum  $S$  are declared to be  $n$ -bit vectors. To simplify the use of carry signals in the adder circuit, we defined a vector  $C$  that has  $n + 1$  bits. Bit  $C[0]$  is the carry into the LSB position, while  $C[n]$  is the carry from the MSB position. Hence  $C[0] = \text{carryin}$  and  $\text{carryout} = C[n]$  in terms of the  $n$ -bit adder.

To specify the repetitive structure of the ripple-carry adder, Figure 3.24 introduces the Verilog **for** statement. Like the **if-else** statement introduced in Chapter 2, the **for** statement is a procedural statement that must be placed inside an **always** block, as shown in the figure. As explained in Chapter 2, any signal that is assigned a value by a statement within an **always** block must retain this value until it is again re-evaluated by changes in the sensitivity variables given in the **always** statement. Such signals are declared to be of **reg** type; they are *carryout*,  $S$ , and  $C$  signals in Figure 3.24. The sensitivity variables are  $X$ ,  $Y$ , and *carryin*.

In our example, the **for** loop consists of two statements delineated by **begin** and **end**. These statements define the sum and carry functions for the adder stage that corresponds to the value of the loop variable  $k$ . The range of  $k$  is from 0 to  $n - 1$  and its value is incremented by 1 for each iteration of the loop. The syntax of the Verilog **for** statement is similar to the syntax of a **for** loop in the C programming language. However, the C operators  $++$  and  $--$  do not exist in Verilog, hence incrementing or decrementing of the loop variable must be given as  $k = k + 1$  or  $k = k - 1$ , rather than  $k++$  or  $k--$ . Note that  $k$  is declared to be an integer and it is used to control the number of iterations of the **for** loop; it does not represent a physical connection in the circuit. The effect of the **for** loop is to repeat the statements inside the loop for each loop iteration. For instance, if  $k$  were set to 2 in this example, then the **for** loop would be equivalent to the four statements

```

module addern (carryin, X, Y, S, carryout);
  parameter n = 32;
  input carryin;
  input [n- 1:0] X, Y;
  output reg [n- 1:0] S;
  output reg carryout;
  reg [n:0] C;
  integer k;

  always @(X, Y, carryin)
  begin
    C[0] = carryin;
    for (k = 0; k < n; k = k+1)
    begin
      S[k] = X[k] ^ Y[k] ^ C[k];
      C[k+1] = (X[k] & Y[k]) | (X[k] & C[k]) | (Y[k] & C[k]);
    end
    carryout = C[n];
  end

endmodule

```

**Figure 3.24** A generic specification of a ripple-carry adder.

$$\begin{aligned}
 S[0] &= X[0] \wedge Y[0] \wedge C[0]; \\
 C[1] &= (X[0] \& Y[0]) \vee (X[0] \& C[0]) \vee (Y[0] \& C[0]); \\
 S[1] &= X[1] \wedge Y[1] \wedge C[1]; \\
 C[2] &= (X[1] \& Y[1]) \vee (X[1] \& C[1]) \vee (Y[1] \& C[1]);
 \end{aligned}$$

Since the value of  $n$  is 32, as declared in the **parameter** statement, the code in the figure implements a 32-bit adder.

### Using the Generate Capability

In Figure 3.23 we instantiated four copies of the *fulladd* subcircuit to specify a four-bit ripple-carry adder. This approach can be used to specify an  $n$ -bit adder by using a loop that instantiates the *fulladd* subcircuit  $n$  times. The Verilog **generate** construct provides the desired capability. It allows instantiation statements to be included inside **for** loops and **if-else** statements. If a **for** loop is included in the **generate** block, the loop index variable has to be declared of type **genvar**. A **genvar** variable is similar to an **integer** variable, but it can have only positive values and it can be used only inside **generate** blocks.

Figure 3.25 shows how the *addern* module can be written to instantiate  $n$  *fulladd* modules. Each instance generated by the compiler in the **for** loop will have a unique instance name produced by the compiler based on the **for** loop label. The generated names are *addbit[0].stage*,  $\dots$ , *addbit.[n - 1].stage*. This code produces the same result as the code in Figure 3.24.

```

module addern (carryin, X, Y, S, carryout);
  parameter n = 32;
  input carryin;
  input [n-1:0] X, Y;
  output [n-1:0] S;
  output carryout;
  wire [n:0] C;

  genvar i;
  assign C[0] = carryin;
  assign carryout = C[n];

  generate
    for (i = 0; i <= n-1; i = i+1)
      begin:addbit
        fulladd stage (C[i], X[i], Y[i], S[i], C[i+1]);
      end
  endgenerate

endmodule

module fulladd (Cin, x, y, s, Cout);
  input Cin, x, y;
  output s, Cout;

  assign s = x ^ y ^ Cin;
  assign Cout = (x & y) | (x & Cin) | (y & Cin);

endmodule

```

**Figure 3.25** A ripple-carry adder specified by using the **generate** statement.

### 3.5.5 NETS AND VARIABLES IN VERILOG

A logic circuit is modeled in Verilog by a collection of interconnected logic elements and/or by procedural statements that describe its behavior. Connections between logic elements are defined using *nets*. Signals produced by procedural statements are referred to as *variables*.

#### Nets

A net represents a node in a circuit. Nets can be of different types. For synthesis purposes the only important nets are of **wire** type, which we used in Section 3.5.3. A **wire** connects an output of one logic element in a circuit to an input of another logic element.

It can be a *scalar* that represents a single connection or a *vector* that represents multiple connections. For example, in Figure 3.22, carry signals  $c_3$ ,  $c_2$ , and  $c_1$  are scalars that model the connections between the full-adder modules. The specific connections are defined by the way the full-adder modules are instantiated. In Figure 3.23, the same carry signals are defined as a three-bit vector  $C$ . Observe that in Figure 3.22 the carry signals are not explicitly declared to be of **wire** type. The reason is that nets do not have to be declared in the code because Verilog syntax assumes that all signals are nets by default. Of course, the code in the figure would also be correct if we include in it the declaration

```
wire c3, c2, c1;
```

In Figure 3.23 it is necessary to declare the existence of vector  $C$ ; otherwise, the Verilog compiler would not be able to determine that  $C[3]$ ,  $C[2]$ , and  $C[1]$  are the constituent signals of  $C$ . Since these signals are nets, the vector  $C$  is declared to be of **wire** type.

### Variables

Verilog provides *variables* to allow a circuit to be described in terms of its behavior. A variable can be assigned a value in one Verilog statement, and it retains this value until it is overwritten by a subsequent assignment statement. There are two types of variables: **reg** and **integer**. As mentioned in Chapter 2, all signals that are assigned a value using procedural statements must be declared as variables by using the **reg** or **integer** keywords. The scalar *carryout* and the vectors  $S$  and  $C$  in Figure 3.24 are examples of the **reg** type. The loop variable  $k$  in the same figure illustrates the **integer** type. It serves as a loop index. Such variables are useful for describing a circuit's behavior; they do not usually correspond directly to signals in the resulting circuit.

Further discussion of nets and variables is given in Appendix A.

### 3.5.6 ARITHMETIC ASSIGNMENT STATEMENTS

Arithmetic operations are used so often that it is convenient to have them incorporated directly into a hardware description language. Verilog implements such operations using arithmetic assignment statements and vectors. If the following vectors are defined

```
input  [n-1:0] X, Y;
output [n-1:0] S;
```

then, the arithmetic assignment statement

$$S = X + Y;$$

represents an  $n$ -bit adder.

In addition to the  $+$  operator, which is used for addition, Verilog also provides other arithmetic operators. The Verilog operators are discussed fully in Chapter 4 and Appendix A. The complete Verilog code that includes the preceding statement is given in Figure 3.26. Since there is a single statement in the **always** block, it is not necessary to include the **begin** and **end** delimiters.



The code in Figure 3.26 defines a circuit that generates the  $n$  sum bits, but it does not include carry-out or overflow signals. As explained previously, the carry-out signal is useful when the numbers  $X$ ,  $Y$ , and  $S$  are interpreted as being unsigned numbers. The carry-out is 1 when the sum of unsigned numbers overflows  $n$  bits. But, if  $X$ ,  $Y$ , and  $S$  are interpreted as being signed numbers, then the carry-out is not meaningful, and we have to generate the arithmetic overflow output as discussed in Section 3.3.5. One way in which these signals can be generated is given in Figure 3.27.

The carry-out from the MSB position,  $n - 1$ , can be derived by observing that the carry-out must be 1 if both  $x_{n-1}$  and  $y_{n-1}$  are 1, or if either  $x_{n-1}$  or  $y_{n-1}$  is 1 and  $s_{n-1}$  is 0.

```

module addern (carryin, X, Y, S);
  parameter n = 32;
  input carryin;
  input [n-1:0] X, Y;
  output reg [n-1:0] S;

  always @(X, Y, carryin)
    S = X + Y + carryin;

endmodule

```

**Figure 3.26** Specification of an  $n$ -bit adder using arithmetic assignment.

```

module addern (carryin, X, Y, S, carryout, overflow);
  parameter n = 32;
  input carryin;
  input [n-1:0] X, Y;
  output reg [n-1:0] S;
  output reg carryout, overflow;

  always @(X, Y, carryin)
  begin
    S = X + Y + carryin;
    carryout = (X[n-1] & Y[n-1]) | (X[n-1] & ~S[n-1]) | (Y[n-1] & ~S[n-1]);
    overflow = (X[n-1] & Y[n-1] & ~S[n-1]) | (~X[n-1] & ~Y[n-1] & S[n-1]);
  end

endmodule

```

**Figure 3.27** An  $n$ -bit adder with carry-out and overflow signals.

Thus,

$$\text{carryout} = x_{n-1}y_{n-1} + x_{n-1}\bar{y}_{n-1} + y_{n-1}\bar{x}_{n-1}$$

(Note that this is just a normal logic expression in which the + sign represents the OR operation.) The expression for arithmetic overflow was defined in Section 3.3.5 as  $c_n \oplus c_{n-1}$ . In our case,  $c_n$  corresponds to *carryout*, but there is no direct way of accessing  $c_{n-1}$ , which is the carry from bit-position  $n - 2$ . Instead, we can use the more intuitive expression derived in Section 3.3.5, so that

$$\text{overflow} = x_{n-1}y_{n-1}\bar{s}_{n-1} + \bar{x}_{n-1}\bar{y}_{n-1}s_{n-1}$$

Another way of including the carry-out and overflow signals is shown in Figure 3.28. The  $(n + 1)$ -bit vector named *Sum* is used. The extra bit, *Sum*[ $n$ ], becomes the carry-out from bit-position  $n - 1$  in the adder. The statement used to assign the sum of *X*, *Y*, and *carryin* to the *Sum* signal uses an unusual syntax. The meaning of the terms in brackets, namely {1'b0, *X*} and {1'b0, *Y*}, is that a 0 is concatenated on the left of the  $n$ -bit vectors *X* and *Y* to create  $(n+1)$ -bit vectors. In Verilog the { , } operator is called the *concatenate* operator. If *A* is an  $m$ -bit vector and *B* is a  $k$ -bit vector, then {*A*, *B*} creates an  $(m + k)$ -bit vector comprising *A* as its most-significant  $m$  bits and *B* as its least-significant  $k$  bits. The notation 1'b0 represents a one-bit binary number that has the value 0. The reason that the concatenate operator is used in Figure 3.28 is to cause *Sum*[ $n$ ] to be equivalent to the carry from bit position  $n - 1$ . In effect, we created  $x_n = y_n = 0$  so that

$$\text{Sum}[n] = 0 + 0 + c_{n-1}$$

```

module addern (carryin, X, Y, S, carryout, overflow);
  parameter n = 32;
  input carryin;
  input [n-1:0] X, Y;
  output reg [n-1:0] S;
  output reg carryout, overflow;
  reg [n:0] Sum;

  always @(X, Y, carryin)
  begin
    Sum = {1'b0, X} + {1'b0, Y} + carryin;
    S = Sum[n-1:0];
    carryout = Sum[n];
    overflow = (X[n-1] & Y[n-1] & ~S[n-1]) | (~X[n-1] & ~Y[n-1] & S[n-1]);
  end

endmodule

```

**Figure 3.28** An alternative specification of  $n$ -bit adder with carry-out and overflow signals.

This example is useful because it provides a simple introduction to the concept of concatenation. But we could have written simply

$$\text{Sum} = X + Y + \text{carryin};$$

Because *Sum* is an  $(n + 1)$ -bit vector, the summation will be performed as if *X* and *Y* were  $(n + 1)$ -bit vectors in which 0s are padded on the left.

Another detail to observe from the figure is the statement

$$S = \text{Sum}[n-1:0];$$

This statement assigns the lower  $n$  bits of *Sum* to the output sum *S*. The next statement assigns the carry-out from the addition, *Sum*[*n*], to the output signal *carryout*.

We show the code in Figures 3.27 and 3.28 to illustrate some features of Verilog in the context of adder design. In general, a given design task can be performed using different approaches, as we will see throughout the book. Let us attempt another specification of the  $n$ -bit adder. In Figure 3.28 we use an  $(n + 1)$ -bit vector, *Sum*, as an intermediate signal needed to produce the  $n$  bits of *S* and the carry-out from the adder stage  $n - 1$ . This requires two Verilog statements that extract the desired bits from *Sum*. We showed how concatenation can be used to pad a 0 to vectors *X* and *Y*, but pointed out that this is not necessary because a vector is automatically padded with 0s if it is involved in an arithmetic operation that produces a result of greater bit size. We can use concatenation more effectively on the left side of the addition statement by concatenating *carryout* to the *S* vector so that

$$\{\text{carryout}, S\} = X + Y + \text{carryin};$$

Then there is no need for the *Sum* signal and the Verilog code is simplified as indicated in Figure 3.29. Since both figures, 3.28 and 3.29, describe the same behavior of the adder, the Verilog compiler is likely to generate the same circuit for either figure. The code in Figure 3.29 is simpler and more elegant.

```

module addern (carryin, X, Y, S, carryout, overflow);
  parameter n = 32;
  input carryin;
  input [n-1:0] X, Y;
  output reg [n-1:0] S;
  output reg carryout, overflow;

  always @(X, Y, carryin)
  begin
    {carryout, S} = X + Y + carryin;
    overflow = (X[n-1] & Y[n-1] & ~S[n-1]) | (~X[n-1] & ~Y[n-1] & S[n-1]);
  end

endmodule

```

**Figure 3.29** Simplified complete specification of  $n$ -bit adder.

```

module fulladd (Cin, x, y, s, Cout);
  input Cin, x, y;
  output reg s, Cout;

  always @(x, y, Cin)
    {Cout, s} = x + y + Cin;

endmodule

```

**Figure 3.30** Behavioral specification of a full-adder.

Note that the same approach can be used to specify a full-adder circuit, as shown in Figure 3.30. Unlike the specifications in Figures 3.18 to 3.21, which define the structure of the full-adder in terms of basic logic operations, in this case the code describes its behavior and the Verilog compiler implements the suitable details using the target technology.

### 3.5.7 MODULE HIERARCHY IN VERILOG CODE

In Section 2.10.3 we introduced hierarchical Verilog code, in which a Verilog module instantiates other Verilog modules as subcircuits. If an instantiated module includes parameters, then either the default value of a parameter can be used for each instance, or a new value of the parameter can be specified.

Suppose that we wish to create a circuit consisting of two adders as follows. One adder generates a 16-bit sum  $S = A + B$ , while the other generates an 8-bit sum  $T = C + D$ . An overflow signal must be set to 1 if either of the adders generates an arithmetic overflow. One way of specifying the desired circuit is presented in Figure 3.31. The top-level module, *adder\_hier*, instantiates two instances of the *addern* module in Figure 3.29. Since the default value of  $n$  is 32 for *addern*, the top-level module has to define the desired values of 16 and 8. The statement

```
defparam U1.n = 16
```

sets the value of  $n$  to 16 for the *addern* instance called *U1*. Similarly, the statement

```
defparam U2.n = 8
```

sets the value of  $n$  to 8 for the instance named *U2*.

Note that in Figure 3.31 we added an extra bit to both  $S$  and  $T$  to hold the carry-out signals produced by the adders; these signals are useful if the resulting sums are interpreted as unsigned numbers.

Another way in which the value of  $n$  can be specified in the instantiated modules is shown in Figure 3.32. Here, the value of  $n$  is defined by using the Verilog # operator, instead of using the **defparam** statement. The code in Figures 3.31 and 3.32 produces identical results.

```

module adder_hier (A, B, C, D, S, T, overflow);
    input [15:0] A, B;
    input [7:0] C, D;
    output [16:0] S;
    output [8:0] T;
    output overflow;

    wire o1, o2; // used for the overflow signals

    addern U1 (1'b0, A, B, S[15:0], S[16], o1);
    defparam U1.n = 16;
    addern U2 (1'b0, C, D, T[7:0], T[8], o2);
    defparam U2.n = 8;

    assign overflow = o1 | o2;

endmodule

```

**Figure 3.31** An example of setting parameter values in Verilog code.

```

module adder_hier (A, B, C, D, S, T, overflow);
    input [15:0] A, B;
    input [7:0] C, D;
    output [16:0] S;
    output [8:0] T;
    output overflow;

    wire o1, o2; // used for the overflow signals

    addern #(16) U1 (1'b0, A, B, S[15:0], S[16], o1);
    addern #(8) U2 (1'b0, C, D, T[7:0], T[8], o2);

    assign overflow = o1 | o2;

endmodule

```

**Figure 3.32** Using the Verilog # operator to set the values of parameters.

An alternative version of the code in Figure 3.32 is given in Figure 3.33. Here, we have again used the # operator, but in this case we have explicitly included the name *n* by using the syntax #(n(16)) and #(n(8)). In the same way that the names of parameters can be shown explicitly, the code in Figure 3.33 illustrates how the port names of a subcircuit

```

module adder_hier (A, B, C, D, S, T, overflow);
  input [15:0] A, B;
  input [7:0] C, D;
  output [16:0] S;
  output [8:0] T;
  output overflow;

  wire o1, o2; // used for the overflow signals

  addern #(n(16)) U1
  (
    .carryin (1'b0),
    .X (A),
    .Y (B),
    .S (S[15:0]),
    .carryout (S[16]),
    .overflow (o1)
  );
  addern #(n(8)) U2
  (
    .carryin (1'b0),
    .X (C),
    .Y (D),
    .S (T[7:0]),
    .carryout (T[8]),
    .overflow (o2)
  );

  assign overflow = o1 | o2;

endmodule

```

**Figure 3.33** An alternative version of the code in Figure 3.32.

can be included explicitly. In Verilog jargon this style of code is referred to as *named* port connections. In this case, the signals can be listed in any order. If the names of port signals of the instantiated module are not shown explicitly, as in Figures 3.31 and 3.32, then the order in which signals are listed in an instantiation statement determines how the connections are made. This is referred to as *ordered* association of port connections. In this case, the instantiation statement must list the ports in the order in which they appear in the instantiated module. The drawback of the style of code in Figure 3.33 is that it is more verbose. But, it has the advantage of being more explicit and hence less susceptible to careless errors.

### 3.5.8 REPRESENTATION OF NUMBERS IN VERILOG CODE

Numbers can be given as constants in Verilog code. They can be given as binary (b), octal (o), hexadecimal (h), or decimal (d) numbers. Their size can be either fixed or unspecified. For sized numbers the format is

$$\langle \text{size\_in\_bits} \rangle ' \langle \text{radix\_identifier} \rangle \langle \text{significant\_digits} \rangle$$

The size is a decimal number that gives the number of bits needed, the radix is identified using letters b, o, h, or d, and the digits are given in the notation of the radix used. For example, the decimal number 2217 can be represented using 12 bits as follows

```
12'b100010101001
12'o4251
12'h8A9
12'd2217
```

Unsize numbers are given without specifying the size. For example, the decimal number 278 may be given as

```
'b100010110
'o426
'h116
278
```

For decimal numbers it is not necessary to give the radix identifier d. When an unsize number is used in an expression the Verilog compiler gives it a certain size, which is typically the same as the size of the other operand(s) in the expression. To improve readability, it is possible to use the underscore character. Instead of writing 12'b100010101001, it is easier to visualize the same number as 12'b1000\_1010\_1001.

Negative numbers are represented by placing the minus sign in front. Thus, if -5 is specified as -4'b101, it will be interpreted as a four-bit 2's-complement of 5, which is 1011.

The specified size may exceed the number of bits that are actually needed to represent a given number. In this case, the final representation is padded to the left to yield the required size. However, if there are more digits than can fit into the number of bits given as the size, the extra digits will be ignored.

Numbers represented by vectors of different bit sizes can be used in arithmetic operations. Suppose that  $A$  is an eight-bit vector and  $B$  is a four-bit vector. Then the statement

$$S = A + B;$$

will generate an eight-bit sum vector  $S$ . The result will be correct if  $B$  is a positive number. However, if  $B$  is a negative number expressed in 2's complement representation, the result will be incorrect because 0s will be padded on the left to make  $B$  an eight-bit vector for the purpose of the addition operation. The value of a positive number does not change if 0s are

appended as the most-significant bits; the value of a negative number does not change if 1s are appended as the most-significant bits. Such replication of the sign bit is called *sign extension*. Therefore, for correct operation it is necessary to use a sign-extended version of  $B$ , which can be accomplished with concatenation in the statement

$$S = A + \{4\{B[3]\}, B\};$$

The notation  $4\{B[3]\}$  denotes that the bit  $B[3]$  is replicated four times; it is equivalent to writing  $\{B[3], B[3], B[3], B[3]\}$ . This is referred to as the *replication* operator, which is discussed in Chapter 4.

## 3.6 MULTIPLICATION

Before we discuss the general issue of multiplication, we should note that a binary number,  $B$ , can be multiplied by 2 simply by adding a zero to the right of its least-significant bit. This effectively moves all bits of  $B$  to the left, and we say that  $B$  is *shifted* left by one bit position. Thus if  $B = b_{n-1}b_{n-2} \cdots b_1b_0$ , then  $2 \times B = b_{n-1}b_{n-2} \cdots b_1b_00$ . (We have already used this fact in Section 3.2.3.) Similarly, a number is multiplied by  $2^k$  by shifting it left by  $k$  bit positions. This is true for both unsigned and signed numbers.

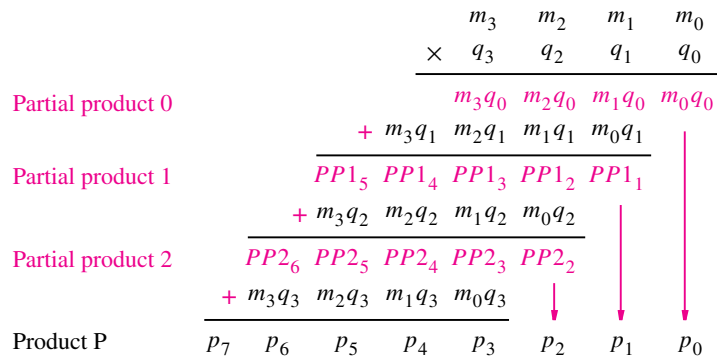
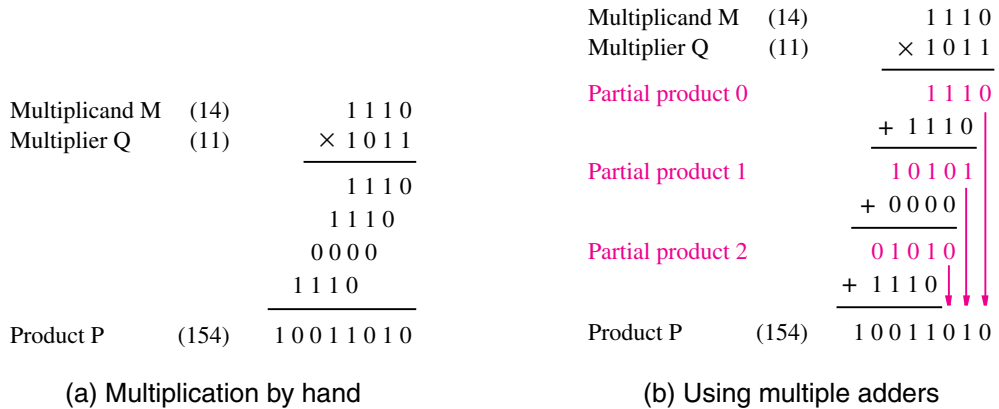
We should also consider what happens if a binary number is shifted right by  $k$  bit positions. According to the positional number representation, this action divides the number by  $2^k$ . For unsigned numbers the shifting amounts to adding  $k$  zeros to the left of the most-significant bit. For example, if  $B$  is an unsigned number, then  $B \div 2 = 0b_{n-1}b_{n-2} \cdots b_2b_1$ . Note that bit  $b_0$  is lost when shifting to the right. For signed numbers it is necessary to preserve the sign. This is done by shifting the bits to the right and filling from the left with the value of the sign bit. Hence if  $B$  is a signed number, then  $B \div 2 = b_{n-1}b_{n-1}b_{n-2} \cdots b_2b_1$ . For instance, if  $B = 011000 = (24)_{10}$ , then  $B \div 2 = 001100 = (12)_{10}$  and  $B \div 4 = 000110 = (6)_{10}$ . Similarly, if  $B = 101000 = -(24)_{10}$ , then  $B \div 2 = 110100 = -(12)_{10}$  and  $B \div 4 = 111010 = -(6)_{10}$ . The reader should also observe that the smaller the positive number, the more 0s there are to the left of the first 1, while for a negative number there are more 1s to the left of the first 0.

Now we can turn our attention to the general task of multiplication. Two binary numbers can be multiplied using the same method as we use for decimal numbers. We will focus our discussion on multiplication of unsigned numbers. Figure 3.34a shows how multiplication is performed manually, using four-bit numbers. Each multiplier bit is examined from right to left. If a bit is equal to 1, an appropriately shifted version of the multiplicand is added to form a *partial product*. If the multiplier bit is equal to 0, then nothing is added. The sum of all shifted versions of the multiplicand is the desired product. Note that the product occupies eight bits.

### 3.6.1 ARRAY MULTIPLIER FOR UNSIGNED NUMBERS

Figure 3.34b indicates how multiplication may be performed by using multiple adders. In each step a four-bit adder is used to compute the new partial product. Note that as the computation progresses, the least-significant bits are not affected by subsequent additions;





(c) Hardware implementation

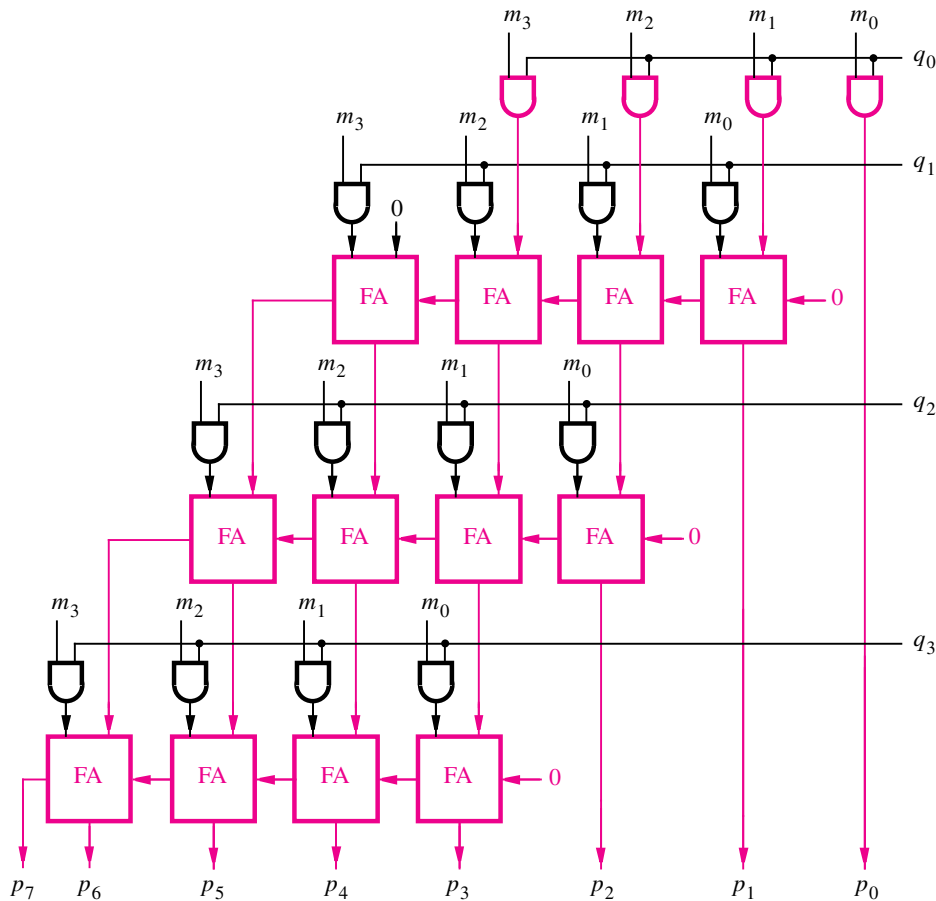
**Figure 3.34** Multiplication of unsigned numbers.

hence they can be passed directly to the final product, as indicated by blue arrows. Of course, these bits are a part of the partial products as well.

The same scheme can be used to design a multiplier circuit. We will stay with four-bit numbers to keep the discussion simple. Let the multiplicand, multiplier, and product be denoted as  $M = m_3m_2m_1m_0$ ,  $Q = q_3q_2q_1q_0$ , and  $P = p_7p_6p_5p_4p_3p_2p_1p_0$ , respectively. Figure 3.34c shows the required operations. Partial product 0 is obtained by using the AND of  $q_0$  with each bit of  $M$ , which produces 0 if  $q_0 = 0$  and  $M$  if  $q_0 = 1$ . Thus

$$PP0 = m_3q_0 \ m_2q_0 \ m_1q_0 \ m_0q_0$$

Partial product 1,  $PP1$ , is generated by adding  $PP0$  to a shifted version of  $M$  that is ANDed with  $q_1$ . Similarly, partial product  $PP2$  is generated using the AND of  $q_2$  with  $M$  shifted by another bit position and adding to  $PP1$ , and so on.



**Figure 3.35** A  $4 \times 4$  multiplier circuit.

A circuit that implements the preceding operations is arranged in an array, as shown in Figure 3.35. In this figure the AND gates and full-adders that produce the partial products are shown in blue, in the same way as the blue highlighted rows in Figure 3.34c. The full-adders are connected to form ripple-carry adders. It is possible to design even faster multipliers by using other types of adders [1].

### 3.6.2 MULTIPLICATION OF SIGNED NUMBERS

Multiplication of unsigned numbers illustrates the main issues involved in the design of multiplier circuits. Multiplication of signed numbers is somewhat more complex.

If the multiplier operand is positive, it is possible to use essentially the same scheme as for unsigned numbers. For each bit of the multiplier operand that is equal to 1, a properly

shifted version of the multiplicand must be added to the partial product. The multiplicand can be either positive or negative.

Since shifted versions of the multiplicand are added to the partial products, it is important to ensure that the numbers involved are represented correctly. For example, if the two right-most bits of the multiplier are both equal to 1, then the first addition must produce the partial product  $PP1 = M + 2M$ , where  $M$  is the multiplicand. If  $M = m_{n-1}m_{n-2} \cdots m_1m_0$ , then  $PP1 = m_{n-1}m_{n-2} \cdots m_1m_0 + m_{n-1}m_{n-2} \cdots m_1m_0$ . The adder that performs this addition comprises circuitry that adds two operands of equal length. Since shifting the multiplicand to the left, to generate  $2M$ , results in one of the operands having  $n + 1$  bits, the required addition has to be performed using the second operand,  $M$ , represented also as an  $(n + 1)$ -bit number. An  $n$ -bit signed number is represented as an  $(n + 1)$ -bit number by using sign extension, that is, by replicating the sign bit as the new left-most bit. Thus  $M = m_{n-1}m_{n-2} \cdots m_1m_0$  is represented using  $(n + 1)$  bits as  $M = m_{n-1}m_{n-1}m_{n-2} \cdots m_1m_0$ .

When a shifted version of the multiplicand is added to a partial product, overflow has to be avoided. Hence the new partial product must be larger by one extra bit. Figure 3.36a illustrates the process of multiplying two positive numbers. The sign-extended bits are shown in blue. Part (b) of the figure involves a negative multiplicand. Note that the resulting product has  $2n$  bits in both cases.

For a negative multiplier operand, it is possible to convert both the multiplier and the multiplicand into their 2's complements because this will not change the value of the result. Then the scheme for a positive multiplier can be used.

We have presented a relatively simple scheme for multiplication of signed numbers. There exist other techniques that are more efficient but also more complex. We will not pursue these techniques, but an interested reader may consult reference [1].

We have discussed circuits that perform addition, subtraction, and multiplication. Another arithmetic operation that is needed in computer systems is division. Circuits that perform division are more complex; we will present an example in Chapter 7. Various techniques for performing division are usually discussed in books on the subject of computer organization and can be found in references [1, 2].

## 3.7 OTHER NUMBER REPRESENTATIONS

In the previous sections we dealt with binary integers represented in the positional number representation. Other types of numbers are also used in digital systems. In this section we will discuss briefly three other types: fixed-point, floating-point, and binary-coded decimal numbers.

### 3.7.1 FIXED-POINT NUMBERS

A *fixed-point* number consists of integer and fraction parts. It can be written in the positional number representation as

$$B = b_{n-1}b_{n-2} \cdots b_1b_0.b_{-1}b_{-2} \cdots b_{-k}$$

Multiplicand M	(+14)	0 1 1 1 0
Multiplier Q	(+11)	× 0 1 0 1 1
		0 0 1 1 1 0
Partial product 0		+ 0 0 1 1 1 0
		0 0 1 0 1 0 1
Partial product 1		+ 0 0 0 0 0 0
		0 0 0 1 0 1 0
Partial product 2		+ 0 0 1 1 1 0
		0 0 1 0 0 1 1
Partial product 3		+ 0 0 0 0 0 0
		0 0 1 0 0 1 1 0 1 0
Product P	(+154)	

(a) Positive multiplicand

Multiplicand M	(-14)	1 0 0 1 0
Multiplier Q	(+11)	× 0 1 0 1 1
		1 1 1 0 0 1 0
Partial product 0		+ 1 1 0 0 1 0
		1 1 0 1 0 1 1
Partial product 1		+ 0 0 0 0 0 0
		1 1 1 0 1 0 1
Partial product 2		+ 1 1 0 0 1 0
		1 1 0 1 1 0 0
Partial product 3		+ 0 0 0 0 0 0
		1 1 0 1 1 0 0 1 1 0
Product P	(-154)	

(b) Negative multiplicand

**Figure 3.36** Multiplication of signed numbers.

The value of the number is

$$V(B) = \sum_{i=-k}^{n-1} b_i \times 2^i$$

The position of the radix point is assumed to be fixed; hence the name fixed-point number. If the radix point is not shown, then it is assumed to be to the right of the least-significant digit, which means that the number is an integer.

Logic circuits that deal with fixed-point numbers are essentially the same as those used for integers. We will not discuss them separately.

### 3.7.2 FLOATING-POINT NUMBERS

Fixed-point numbers have a range that is limited by the significant digits used to represent the number. For example, if we use eight digits and a sign to represent decimal integers, then the range of values that can be represented is 0 to  $\pm 99999999$ . If eight digits are used to represent a fraction, then the representable range is 0.00000001 to  $\pm 0.99999999$ . In scientific applications it is often necessary to deal with numbers that are very large or very small. Instead of using the fixed-point representation, which would require many significant digits, it is better to use the floating-point representation in which numbers are represented by a *mantissa* comprising the significant digits and an *exponent* of the radix  $R$ . The format is

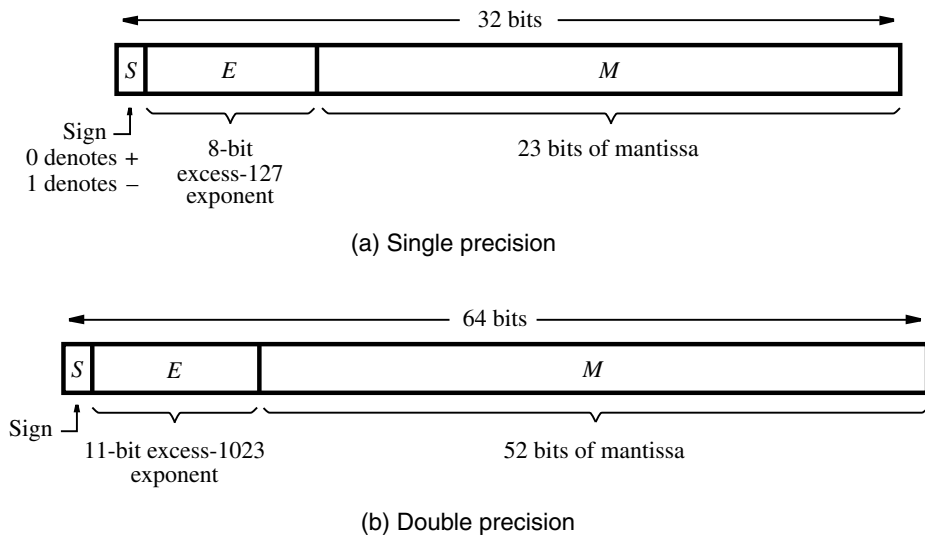
$$\text{Mantissa} \times R^{\text{Exponent}}$$

The numbers are often *normalized*, such that the radix point is placed to the right of the first nonzero digit, as in  $5.234 \times 10^{43}$  or  $6.31 \times 10^{-28}$ .

Binary floating-point representation has been standardized by the Institute of Electrical and Electronic Engineers (IEEE) [3]. Two sizes of formats are specified in this standard—a *single-precision* 32-bit format and a *double-precision* 64-bit format. Both formats are illustrated in Figure 3.37.

#### Single-Precision Floating-Point Format

Figure 3.37a depicts the single-precision format. The left-most bit is the sign bit—0 for positive and 1 for negative numbers. There is an 8-bit exponent field,  $E$ , and a 23-bit mantissa field,  $M$ . The exponent is with respect to the radix 2. Because it is necessary to



**Figure 3.37** IEEE Standard floating-point formats.

be able to represent both very large and very small numbers, the exponent can be either positive or negative. Instead of simply using an 8-bit signed number as the exponent, which would allow exponent values in the range  $-128$  to  $127$ , the IEEE standard specifies the exponent in the *excess-127* format. In this format the value  $127$  is added to the value of the actual exponent so that

$$\text{Exponent} = E - 127$$

In this way  $E$  becomes a positive integer. This format is convenient for adding and subtracting floating-point numbers because the first step in these operations involves comparing the exponents to determine whether the mantissas must be appropriately shifted to add/subtract the significant bits. The range of  $E$  is  $0$  to  $255$ . The extreme values of  $E = 0$  and  $E = 255$  are taken to denote the exact zero and infinity, respectively. Therefore, the normal range of the exponent is  $-126$  to  $127$ , which is represented by the values of  $E$  from  $1$  to  $254$ .

The mantissa is represented using  $23$  bits. The IEEE standard calls for a normalized mantissa, which means that the most-significant bit is always equal to  $1$ . Thus it is not necessary to include this bit explicitly in the mantissa field. Therefore, if  $M$  is the bit vector in the mantissa field, the actual value of the mantissa is  $1.M$ , which gives a  $24$ -bit mantissa. Consequently, the floating-point format in Figure 3.37a represents the number

$$\text{Value} = \pm 1.M \times 2^{E-127}$$

The size of the mantissa field allows the representation of numbers that have the precision of about seven decimal digits. The exponent field range of  $2^{-126}$  to  $2^{127}$  corresponds to about  $10^{\pm 38}$ .

### Double-Precision Floating-Point Format

Figure 3.37b shows the double-precision format, which uses  $64$  bits. Both the exponent and mantissa fields are larger. This format allows greater range and precision of numbers. The exponent field has  $11$  bits, and it specifies the exponent in the *excess-1023* format, where

$$\text{Exponent} = E - 1023$$

The range of  $E$  is  $0$  to  $2047$ , but again the values  $E = 0$  and  $E = 2047$  are used to indicate the exact zero and infinity, respectively. Thus the normal range of the exponent is  $-1022$  to  $1023$ , which is represented by the values of  $E$  from  $1$  to  $2046$ .

The mantissa field has  $52$  bits. Since the mantissa is assumed to be normalized, its actual value is again  $1.M$ . Therefore, the value of a floating-point number is

$$\text{Value} = \pm 1.M \times 2^{E-1023}$$

This format allows representation of numbers that have the precision of about  $16$  decimal digits and the range of approximately  $10^{\pm 308}$ .

Arithmetic operations using floating-point operands are significantly more complex than signed integer operations. Because this is a rather specialized domain, we will not elaborate on the design of logic circuits that can perform such operations. For a more complete discussion of floating-point operations, the reader may consult references [1, 2].

### 3.7.3 BINARY-CODED-DECIMAL REPRESENTATION

In digital systems it is possible to represent decimal numbers simply by encoding each digit in binary form. This is called the *binary-coded-decimal (BCD)* representation. Because there are 10 digits to encode, it is necessary to use four bits per digit. Each digit is encoded by the binary pattern that represents its unsigned value, as shown in Table 3.3. Note that only 10 of the 16 available patterns are used in BCD, which means that the remaining 6 patterns should not occur in logic circuits that operate on BCD operands; these patterns are usually treated as don't-care conditions in the design process. BCD representation was used in some early computers as well as in many handheld calculators. Its main virtue is that it provides a format that is convenient when numerical information is to be displayed on a simple digit-oriented display. Its drawbacks are complexity of circuits that perform arithmetic operations and the fact that six of the possible code patterns are wasted.

Even though the importance of BCD representation has diminished, it is still encountered. To give the reader an indication of the complexity of the required circuits, we will consider BCD addition in some detail.

#### BCD Addition

The addition of two BCD digits is complicated by the fact that the sum may exceed 9, in which case a correction will have to be made. Let  $X = x_3x_2x_1x_0$  and  $Y = y_3y_2y_1y_0$  represent the two BCD digits and let  $S = s_3s_2s_1s_0$  be the desired sum digit,  $S = X + Y$ . Obviously, if  $X + Y \leq 9$ , then the addition is the same as the addition of 2 four-bit unsigned binary numbers. But, if  $X + Y > 9$ , then the result requires two BCD digits. Moreover, the four-bit sum obtained from the four-bit adder may be incorrect.

There are two cases where some correction has to be made: when the sum is greater than 9 but no carry-out is generated using four bits, and when the sum is greater than 15 so

**Table 3.3** Binary-coded decimal digits.

Decimal digit	BCD code
0	0000
1	0001
2	0010
3	0011
4	0100
5	0101
6	0110
7	0111
8	1000
9	1001

$$\begin{array}{r}
 X \quad 0111 \quad 7 \\
 + Y \quad + 0101 \quad + 5 \\
 \hline
 Z \quad 1100 \quad 12 \\
 \quad \quad + 0110 \\
 \hline
 \text{carry} \rightarrow 10010 \\
 \quad \quad \quad \underbrace{\hspace{1.5cm}} \\
 \quad \quad \quad S = 2
 \end{array}$$
  

$$\begin{array}{r}
 X \quad 1000 \quad 8 \\
 + Y \quad + 1001 \quad + 9 \\
 \hline
 Z \quad 10001 \quad 17 \\
 \quad \quad + 0110 \\
 \hline
 \text{carry} \rightarrow 10111 \\
 \quad \quad \quad \underbrace{\hspace{1.5cm}} \\
 \quad \quad \quad S = 7
 \end{array}$$

**Figure 3.38** Addition of BCD digits.

that a carry-out is generated using four bits. Figure 3.38 illustrates these cases. In the first case the four-bit addition yields  $Z = 7 + 5 = 12$ . To obtain a correct BCD result, we must generate  $S = 2$  and a carry-out of 1. The necessary correction is apparent from the fact that the four-bit addition is a modulo-16 scheme, whereas decimal addition is a modulo-10 scheme. Therefore, a correct decimal digit can be generated by adding 6 to the result of four-bit addition whenever this result exceeds 9. Thus we can arrange the computation as follows

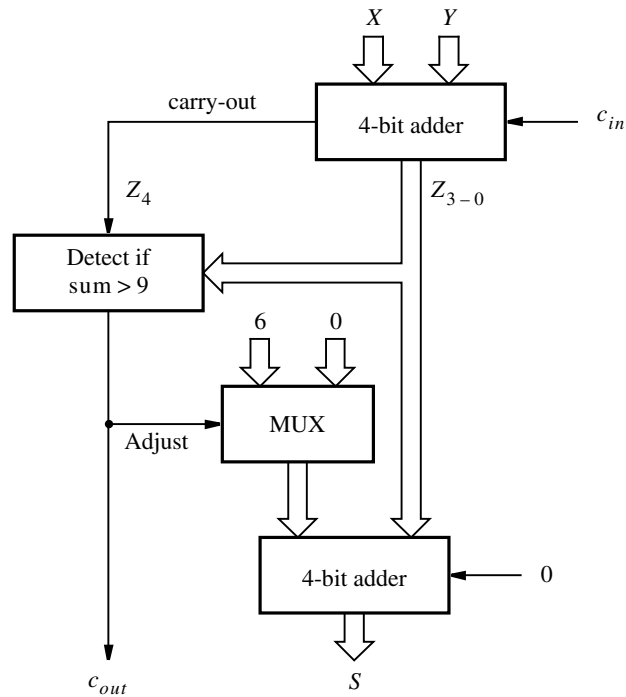
$$\begin{aligned}
 Z &= X + Y \\
 \text{If } Z \leq 9, & \text{ then } S = Z \text{ and carry-out} = 0 \\
 \text{if } Z > 9, & \text{ then } S = Z + 6 \text{ and carry-out} = 1
 \end{aligned}$$

The second example in Figure 3.38 shows what happens when  $X + Y > 15$ . In this case  $Z = 17$ , which is a five-bit binary number. Note that the four least-significant bits,  $Z_{3-0}$ , represent the value 1, while  $Z_4$  represents the value 16. To generate a correct BCD result, it is again necessary to add 6 to the intermediate sum  $Z_{3-0}$  to produce the value 7. The bit  $Z_4$  is the carry to the next digit position.

Figure 3.39 gives a block diagram of a one-digit BCD adder that is based on this scheme. The block that detects whether  $Z > 9$  produces an output signal, Adjust, which controls the multiplexer that provides the correction when needed. A second four-bit adder generates the corrected sum bits. Since whenever the adjustment of 6 is made there is a carry to the next digit position,  $c_{out}$  is just equal to the Adjust signal.

The one-digit BCD adder can be specified in Verilog code by describing its behavior as shown in Figure 3.40. Inputs  $X$  and  $Y$ , and output  $S$  are defined as four-bit numbers. The intermediate sum,  $Z$ , is defined as a five-bit number. The **if-else** statement is used to





**Figure 3.39** Block diagram for a one-digit BCD adder.

```

module bcdadd (Cin, X, Y, S, Cout);
  input Cin;
  input [3:0] X, Y;
  output reg [3:0] S;
  output reg Cout;
  reg [4:0] Z;

  always @(X, Y, Cin)
  begin
    Z = X + Y + Cin;
    if (Z < 10)
      {Cout, S} = Z;
    else
      {Cout, S} = Z + 6;
  end

endmodule

```

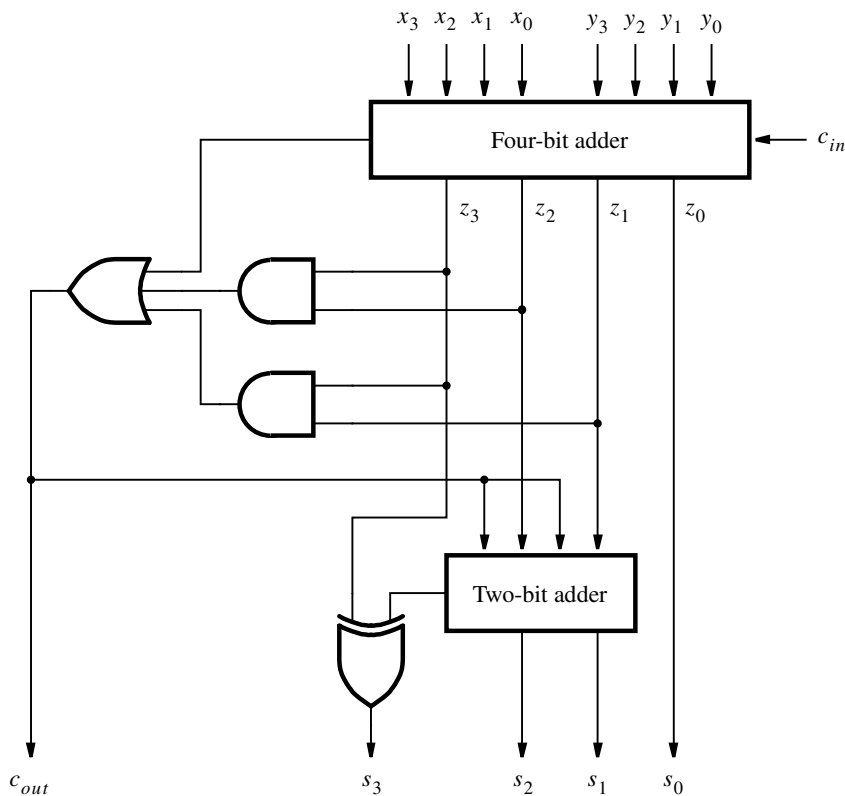
**Figure 3.40** Verilog code for a one-digit BCD adder.

provide the adjustment explained above; hence it is not necessary to use an explicit *Adjust* signal.

If we wish to derive a circuit to implement the block diagram in Figure 3.39 by hand, instead of by using Verilog, then the following approach can be used. To define the *Adjust* function, we can observe that the intermediate sum will exceed 9 if the carry-out from the four-bit adder is equal to 1, or if  $z_3 = 1$  and either  $z_2$  or  $z_1$  (or both) are equal to 1. Hence the logic expression for this function is

$$\text{Adjust} = \text{Carry-out} + z_3(z_2 + z_1)$$

Instead of implementing another complete four-bit adder to perform the correction, we can use a simpler circuit because the addition of constant 6 does not require the full capability of a four-bit adder. Note that the least-significant bit of the sum,  $s_0$ , is not affected at all; hence  $s_0 = z_0$ . A two-bit adder may be used to develop bits  $s_2$  and  $s_1$ . Bit  $s_3$  is the same as  $z_3$  if the carry-out from the two-bit adder is 0, and it is equal to  $\bar{z}_3$  if this carry-out is equal to 1. A complete circuit that implements this scheme is shown in Figure 3.41. Using the



**Figure 3.41** Circuit for a one-digit BCD adder.

one-digit BCD adder as a basic block, it is possible to build larger BCD adders in the same way as a binary full-adder is used to build larger ripple-carry binary adders.

Subtraction of BCD numbers can be handled with the radix-complement approach. Just as we use 2's complement representation to deal with negative binary numbers, we can use 10's complement representation to deal with decimal numbers. We leave the development of such a scheme as an exercise for the reader (see Problem 3.19).

### 3.8 EXAMPLES OF SOLVED PROBLEMS

This section presents some typical problems that the reader may encounter and shows how such problems can be solved.

**Example 3.6 Problem:** Convert the decimal number 14959 into a hexadecimal number.

**Solution:** An integer is converted into the hexadecimal representation by successive divisions by 16, such that in each step the remainder is a hex digit. To see why this is true, consider a four-digit number  $H = h_3h_2h_1h_0$ . Its value is

$$V = h_3 \times 16^3 + h_2 \times 16^2 + h_1 \times 16 + h_0$$

If we divide this by 16, we obtain

$$\frac{V}{16} = h_3 \times 16^2 + h_2 \times 16 + h_1 + \frac{h_0}{16}$$

Thus, the remainder gives  $h_0$ . Figure 3.42 shows the steps needed to perform the conversion  $(14959)_{10} = (3A6F)_{16}$ .

Convert  $(14959)_{10}$

		Remainder	Hex digit	
$14959 \div 16$	$= 934$	15	F	LSB
$934 \div 16$	$= 58$	6	6	
$58 \div 16$	$= 3$	10	A	
$3 \div 16$	$= 0$	3	3	MSB

Result is  $(3A6F)_{16}$

**Figure 3.42** Conversion from decimal to hexadecimal.

**Problem:** Convert the decimal fraction 0.8254 into binary representation.

**Example 3.7**

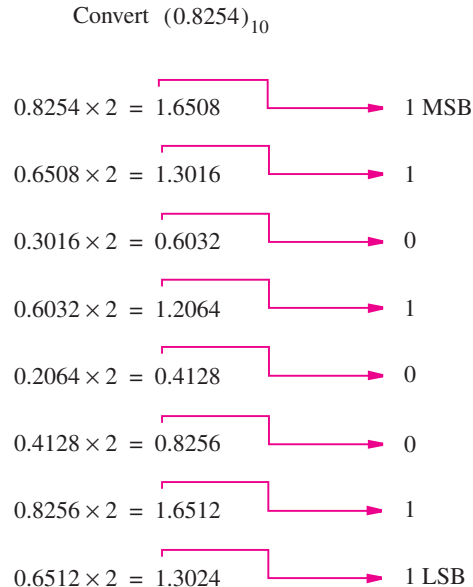
**Solution:** As indicated in Section 3.7.1, a binary fraction is represented as the bit pattern  $B = 0.b_{-1}b_{-2}\cdots b_{-m}$  and its value is

$$V = b_{-1} \times 2^{-1} + b_{-2} \times 2^{-2} + \cdots + b_{-m} \times 2^{-m}$$

Multiplying this expression by 2 gives

$$b_{-1} + b_{-2} \times 2^{-1} + \cdots + b_{-m} \times 2^{-(m-1)}$$

Here, the left-most term is the first bit to the right of the radix point. The remaining terms constitute another binary fraction which can be manipulated in the same way. Therefore, to convert a decimal fraction into a binary fraction, we multiply the decimal number by 2 and set the computed bit to 0 if the product is less than 1 and set it to 1 if the product is greater than or equal to 1. We repeat this calculation until a sufficient number of bits are obtained to meet the desired accuracy. Note that it may not be possible to represent a decimal fraction with a binary fraction that has exactly the same value. Figure 3.43 shows the required computation that yields  $(0.8254)_{10} = (0.11010011\dots)_2$ .



$$(0.8254)_{10} = (0.11010011\dots)_2$$

**Figure 3.43** Conversion of fractions from decimal to binary.

---

**Example 3.8 Problem:** Convert the decimal fixed point number 214.45 into a binary fixed point number.

**Solution:** For the integer part perform successive division by 2 as illustrated in Figure 1.6. For the fractional part perform successive multiplication by 2 as described in Example 3.7. The complete computation is presented in Figure 3.44, producing  $(214.45)_{10} = (11010110.0111001\dots)_2$ .

---

**Example 3.9 Problem:** In computer computations it is often necessary to compare numbers. Two four-bit signed numbers,  $X = x_3x_2x_1x_0$  and  $Y = y_3y_2y_1y_0$ , can be compared by using the subtractor circuit in Figure 3.45, which performs the operation  $X - Y$ . The three outputs denote the following:

- $Z = 1$  if the result is 0; otherwise  $Z = 0$
- $N = 1$  if the result is negative; otherwise  $N = 0$
- $V = 1$  if arithmetic overflow occurs; otherwise  $V = 0$

Show how  $Z$ ,  $N$ , and  $V$  can be used to determine the cases  $X = Y$ ,  $X < Y$ ,  $X \leq Y$ ,  $X > Y$ , and  $X \geq Y$ .

**Solution:** Consider first the case  $X < Y$ , where the following possibilities may arise:

- If  $X$  and  $Y$  have the same sign there will be no overflow, hence  $V = 0$ . Then for both positive and negative  $X$  and  $Y$  the difference will be negative ( $N = 1$ ).
- If  $X$  is negative and  $Y$  is positive, the difference will be negative ( $N = 1$ ) if there is no overflow ( $V = 0$ ); but the result will be positive ( $N = 0$ ) if there is overflow ( $V = 1$ ).

Therefore, if  $X < Y$  then  $N \oplus V = 1$ .

The case  $X = Y$  is detected by  $Z = 1$ . Then,  $X \leq Y$  is detected by  $Z + (N \oplus V) = 1$ . The last two cases are just simple inverses:  $X > Y$  if  $\overline{Z + (N \oplus V)} = 1$  and  $X \geq Y$  if  $\overline{N \oplus V} = 1$ .

---

**Example 3.10 Problem:** Write Verilog code to specify the circuit in Figure 3.45.

**Solution:** We can specify the circuit using the approach given in Figure 3.23, as indicated in Figure 3.46. Note that the statement

$$\text{assign } Z = !S;$$

will produce 1 only if  $S = s_3s_2s_1s_0 = 0000$ . Thus, it represents the four-bit NOR function

$$Z = \overline{s_3 + s_2 + s_1 + s_0}$$

Instantiating each full adder separately becomes awkward when large circuits are involved, as would be the case if the comparator had 32-bit operands. An alternative is to use the generic specification presented in Figure 3.24, as shown in Figure 3.47.

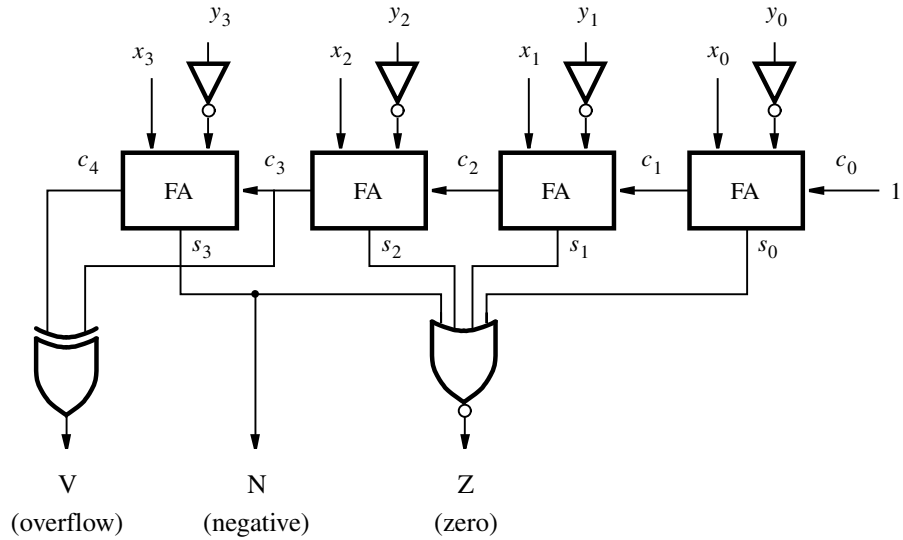
---

Convert  $(214.45)_{10}$

$$\begin{aligned} \frac{214}{2} &= 107 + \frac{0}{2} && \rightarrow 0 \text{ LSB} \\ \frac{107}{2} &= 53 + \frac{1}{2} && \rightarrow 1 \\ \frac{53}{2} &= 26 + \frac{1}{2} && \rightarrow 1 \\ \frac{26}{2} &= 13 + \frac{0}{2} && \rightarrow 0 \\ \frac{13}{2} &= 6 + \frac{1}{2} && \rightarrow 1 \\ \frac{6}{2} &= 3 + \frac{0}{2} && \rightarrow 0 \\ \frac{3}{2} &= 1 + \frac{1}{2} && \rightarrow 1 \\ \frac{1}{2} &= 0 + \frac{1}{2} && \rightarrow 1 \text{ MSB} \\ 0.45 \times 2 &= 0.90 && \rightarrow 0 \text{ MSB} \\ 0.90 \times 2 &= 1.80 && \rightarrow 1 \\ 0.80 \times 2 &= 1.60 && \rightarrow 1 \\ 0.60 \times 2 &= 1.20 && \rightarrow 1 \\ 0.20 \times 2 &= 0.40 && \rightarrow 0 \\ 0.40 \times 2 &= 0.80 && \rightarrow 0 \\ 0.80 \times 2 &= 1.60 && \rightarrow 1 \text{ LSB} \end{aligned}$$

$$(214.45)_{10} = (11010110.0111001\dots)_2$$

**Figure 3.44** Conversion of fixed point numbers from decimal to binary.



**Figure 3.45** A comparator circuit.

```

module comparator (X, Y, V, N, Z);
  input [3:0] X, Y;
  output V, N, Z;
  wire [3:0] S;
  wire [4:1] C;

  fulladd stage0 (1'b1, X[0], ~Y[0], S[0], C[1]);
  fulladd stage1 (C[1], X[1], ~Y[1], S[1], C[2]);
  fulladd stage2 (C[2], X[2], ~Y[2], S[2], C[3]);
  fulladd stage3 (C[3], X[3], ~Y[3], S[3], C[4]);
  assign V = C[4] ^ C[3];
  assign N = S[3];
  assign Z = !S;

endmodule

module fulladd (Cin, x, y, s, Cout);
  input Cin, x, y;
  output s, Cout;

  assign s = x ^ y ^ Cin;
  assign Cout = (x & y) | (x & Cin) | (y & Cin);

endmodule

```

**Figure 3.46** Structural Verilog code for the comparator circuit.

```

module comparator (X, Y, V, N, Z);
  parameter n = 32;
  input [n-1:0] X, Y;
  output reg V, N, Z;
  reg [n-1:0] S;
  reg [n:0] C;
  integer k;

  always @(X, Y)
  begin
    C[0] = 1'b1;
    for (k = 0; k < n; k = k+1)
      begin
        S[k] = X[k] ^ ~Y[k] ^ C[k];
        C[k+1] = (X[k] & ~Y[k]) | (X[k] & C[k]) | (~Y[k] & C[k]);
      end
    V = C[n] ^ C[n-1];
    N = S[n-1];
    Z = !S;
  end

endmodule

```

**Figure 3.47** Generic Verilog code for the comparator circuit.

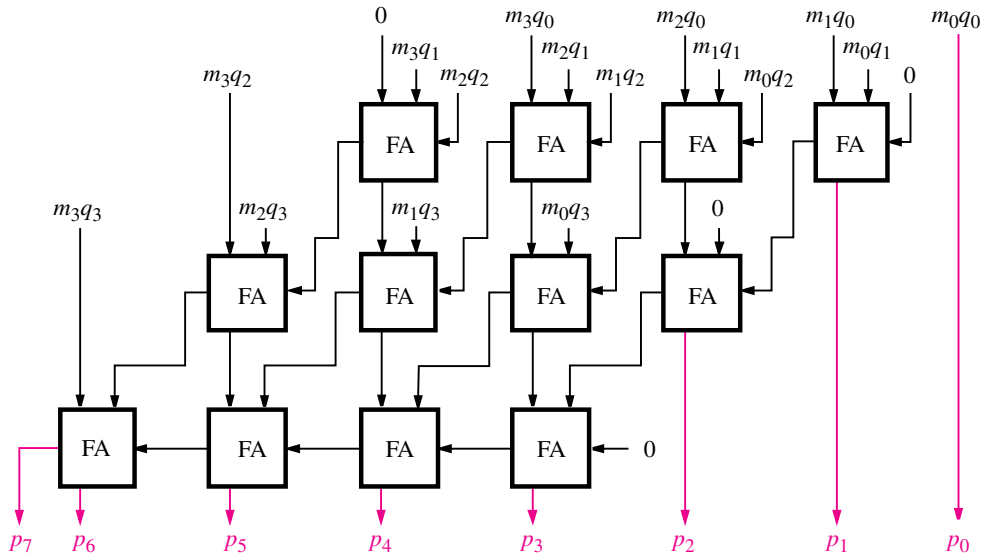
**Problem:** Figure 3.35 depicts a four-bit multiplier circuit. Each row in this circuit consists of four full-adder (FA) blocks connected in a ripple-carry configuration. The delay caused by the carry signals rippling through the rows has a significant impact on the time needed to generate the output product. In an attempt to speed up the circuit, we may use the arrangement in Figure 3.48. Here, the carries in a given row are “saved” and included in the next row at the correct bit position. Then, in the first row the full-adders can be used to add three properly shifted bits of the multiplicand as selected by the multiplier bits. For example, in bit position 2 the three inputs are  $m_2q_0$ ,  $m_1q_1$ , and  $m_0q_2$ . In the last row it is still necessary to use the ripple-carry adder. A circuit that consists of an array of full-adders connected in this manner is called a *carry-save* adder array.

### Example 3.11

What is the total delay of the circuit in Figure 3.48 compared to that of the circuit in Figure 3.35?

**Solution:** In the circuit in Figure 3.35 the longest path is through the right-most two full-adders in the top row, followed by the two right-most FAs in the second row, and then through all four FAs in the bottom row. Hence this delay is eight times the delay through a full-adder block. In addition, there is the AND-gate delay needed to form the inputs to the first FA in the top row. These combined delays are the critical delay, which determines the speed of the multiplier circuit.





**Figure 3.48** Multiplier carry-save array.

In the circuit in Figure 3.48, the longest path is through the right-most FAs in the first and second rows, followed by all four FAs in the bottom row. Therefore, the critical delay is six times the delay through a full-adder block plus the AND-gate delay needed to form the inputs to the first FA in the top row.

## PROBLEMS

Answers to problems marked by an asterisk are given at the back of the book.

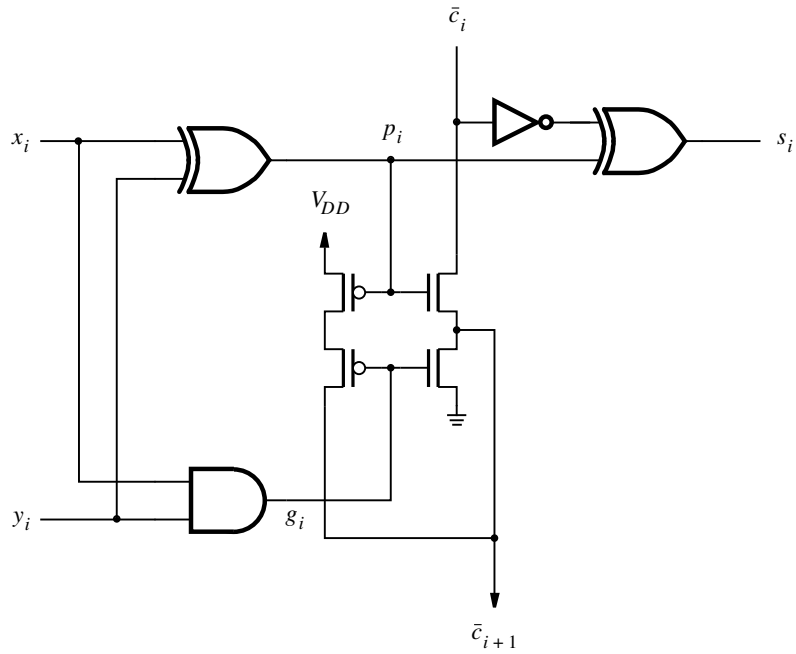
- \*3.1** Determine the decimal values of the following unsigned numbers:
- $(0111011110)_2$
  - $(1011100111)_2$
  - $(3751)_8$
  - $(A25F)_{16}$
  - $(F0F0)_{16}$
- \*3.2** Determine the decimal values of the following 1's complement numbers:
- 0111011110
  - 1011100111
  - 1111111110
- \*3.3** Determine the decimal values of the following 2's complement numbers:
- 0111011110
  - 1011100111
  - 1111111110

- \*3.4** Convert the decimal numbers 73, 1906,  $-95$ , and  $-1630$  into signed 12-bit numbers in the following representations:
- Sign and magnitude
  - 1's complement
  - 2's complement
- 3.5** Perform the following operations involving eight-bit 2's complement numbers and indicate whether arithmetic overflow occurs. Check your answers by converting to decimal sign-and-magnitude representation.

$$\begin{array}{r}
 00110110 \\
 + 01000101 \\
 \hline
 \end{array}
 \qquad
 \begin{array}{r}
 01110101 \\
 + 11011110 \\
 \hline
 \end{array}
 \qquad
 \begin{array}{r}
 11011111 \\
 + 10111000 \\
 \hline
 \end{array}$$

$$\begin{array}{r}
 00110110 \\
 - 00101011 \\
 \hline
 \end{array}
 \qquad
 \begin{array}{r}
 01110101 \\
 - 11010110 \\
 \hline
 \end{array}
 \qquad
 \begin{array}{r}
 11010011 \\
 - 11101100 \\
 \hline
 \end{array}$$

- 3.6** Prove that the XOR operation is associative, which means that  $x_i \oplus (y_i \oplus z_i) = (x_i \oplus y_i) \oplus z_i$ .
- 3.7** Show that the circuit in Figure 3.4 implements the full-adder specified in Figure 3.3a.
- 3.8** Prove the validity of the simple rule for finding the 2's complement of a number, which was presented in Section 3.3. Recall that the rule states that scanning a number from right to left, all 0s and the first 1 are copied; then all remaining bits are complemented.
- 3.9** Prove the validity of the expression  $\text{Overflow} = c_n \oplus c_{n-1}$  for addition of  $n$ -bit signed numbers.
- 3.10** Verify that a carry-out signal,  $c_k$ , from bit position  $k - 1$  of an adder circuit can be generated as  $c_k = x_k \oplus y_k \oplus s_k$ , where  $x_k$  and  $y_k$  are inputs and  $s_k$  is the sum bit.
- \*3.11** Consider the circuit in Figure P3.1. Can this circuit be used as one stage in a ripple-carry adder? Discuss the pros and cons. The operation of transistors shown in the figure is described in Appendix B.
- \*3.12** Determine the number of gates needed to implement an  $n$ -bit carry-lookahead adder, assuming no fan-in constraints. Use AND, OR, and XOR gates with any number of inputs.
- \*3.13** Determine the number of gates needed to implement an eight-bit carry-lookahead adder assuming that the maximum fan-in for the gates is four.
- 3.14** In Figure 3.17 we presented the structure of a hierarchical carry-lookahead adder. Show the complete circuit for a four-bit version of this adder, built using 2 two-bit blocks.
- 3.15** What is the critical delay path in the multiplier in Figure 3.35? What is the delay along this path in terms of the number of gates?
- 3.16** Write a Verilog module to describe the  $4 \times 4$  multiplier shown in Figure 3.35. Synthesize a circuit from the code and verify its functional correctness.
- \*3.17** Consider the Verilog code in Figure P3.2. Given the relationship between the signals IN and OUT, what is the functionality of the circuit described by the code? Comment on whether or not this code represents a good style to use for the functionality that it represents.
- 3.18** Design a circuit that generates the 9's complement of a BCD digit. Note that the 9's complement of  $d$  is  $9 - d$ .



**Figure P3.1** Circuit for Problem 3.11.

```

module problem3_17 (IN, OUT);
  input [3:0] IN;
  output reg [3:0] OUT;

  always @(IN)
    if (IN == 4'b0101) OUT = 4'b0001;
    else if (IN == 4'b0110) OUT = 4'b0010;
    else if (IN == 4'b0111) OUT = 4'b0011;
    else if (IN == 4'b1001) OUT = 4'b0010;
    else if (IN == 4'b1010) OUT = 4'b0100;
    else if (IN == 4'b1011) OUT = 4'b0110;
    else if (IN == 4'b1101) OUT = 4'b0011;
    else if (IN == 4'b1110) OUT = 4'b0110;
    else if (IN == 4'b1111) OUT = 4'b1001;
    else OUT = 4'b0000;

```

**endmodule**

**Figure P3.2** The code for Problem 3.17.

- 3.19** Derive a scheme for performing subtraction using BCD operands. Show a block diagram for the subtractor circuit. *Hint:* Subtraction can be performed easily if the operands are in the 10's complement (radix complement) representation. In this representation the sign digit is 0 for a positive number and 9 for a negative number.
- 3.20** Write complete Verilog code for the circuit that you derived in Problem 3.19.
- \*3.21** Suppose that we want to determine how many of the bits in a three-bit unsigned number are equal to 1. Design the simplest circuit that can accomplish this task.
- 3.22** Repeat Problem 3.21 for a six-bit unsigned number.
- 3.23** Repeat Problem 3.21 for an eight-bit unsigned number.
- 3.24** Show a graphical interpretation of three-digit decimal numbers, similar to Figure 3.11. The left-most digit is 0 for positive numbers and 9 for negative numbers. Verify the validity of your answer by trying a few examples of addition and subtraction.
- 3.25** In a ternary number system there are three digits: 0, 1, and 2. Figure P3.3 defines a ternary half-adder. Design a circuit that implements this half-adder using binary-encoded signals, such that two bits are used for each ternary digit. Let  $A = a_1a_0$ ,  $B = b_1b_0$ , and  $Sum = s_1s_0$ ; note that *Carry* is just a binary signal. Use the following encoding:  $00 = (0)_3$ ,  $01 = (1)_3$ , and  $10 = (2)_3$ . Minimize the cost of the circuit.

AB	Carry	Sum
00	0	0
01	0	1
02	0	2
10	0	1
11	0	2
12	1	0
20	0	2
21	1	0
22	1	1

**Figure P3.3** Ternary half-adder.

- 3.26** Design a ternary full-adder circuit, using the approach described in Problem 3.25.

- 3.27** Consider the subtractions  $26 - 27 = 99$  and  $18 - 34 = 84$ . Using the concepts presented in Section 3.3.4, explain how these answers (99 and 84) can be interpreted as the correct signed results of these subtractions.

---

## REFERENCES

1. C. Hamacher, Z. Vranesic, S. Zaky and N. Manjikian, *Computer Organization and Embedded Systems*, 6th ed. (McGraw-Hill: New York, 2011).
2. D. A. Patterson and J. L. Hennessy, *Computer Organization and Design—The Hardware/Software Interface*, 3rd ed. (Morgan Kaufmann: San Francisco, CA, 2004).
3. Institute of Electrical and Electronic Engineers (IEEE), “A Proposed Standard for Floating-Point Arithmetic,” *Computer* 14, no. 3 (March 1981), pp. 51–62.

---

chapter

# 4

## COMBINATIONAL-CIRCUIT BUILDING BLOCKS

### CHAPTER OBJECTIVES

In this chapter you will learn about:

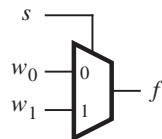
- Commonly used combinational subcircuits
- Multiplexers, which can be used for selection of signals and for implementation of general logic functions
- Circuits used for encoding, decoding, and code-conversion purposes
- Key Verilog constructs used to define combinational circuits

Previous chapters have introduced the basic techniques for design of logic circuits. In practice, a few types of logic circuits are often used as building blocks in larger designs. This chapter discusses a number of these blocks and gives examples of their use. The chapter also includes a major section on Verilog, which describes several key features of the language.

## 4.1 MULTIPLEXERS

Multiplexers were introduced briefly in Chapter 2. A multiplexer circuit has a number of data inputs, one or more select inputs, and one output. It passes the signal value on one of the data inputs to the output. The data input is selected by the values of the select inputs. Figure 4.1 shows a 2-to-1 multiplexer. Part (a) gives the symbol commonly used. The *select* input,  $s$ , chooses as the output of the multiplexer either input  $w_0$  or  $w_1$ . The multiplexer's functionality can be described in the form of a truth table as shown in part (b) of the figure. Part (c) gives a sum-of-products implementation of the 2-to-1 multiplexer. Part (d) illustrates how it can be constructed with transmission gates which are discussed in Appendix B.

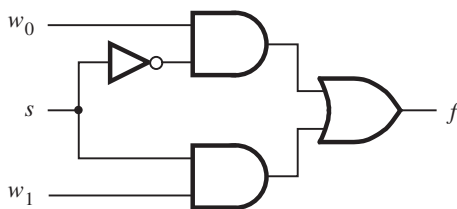
Figure 4.2a depicts a larger multiplexer with four data inputs,  $w_0, \dots, w_3$ , and two select inputs,  $s_1$  and  $s_0$ . As shown in the truth table in part (b) of the figure, the two-bit number represented by  $s_1s_0$  selects one of the data inputs as the output of the multiplexer.



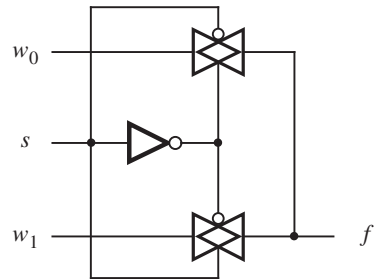
(a) Graphical symbol

$s$	$f$
0	$w_0$
1	$w_1$

(b) Truth table

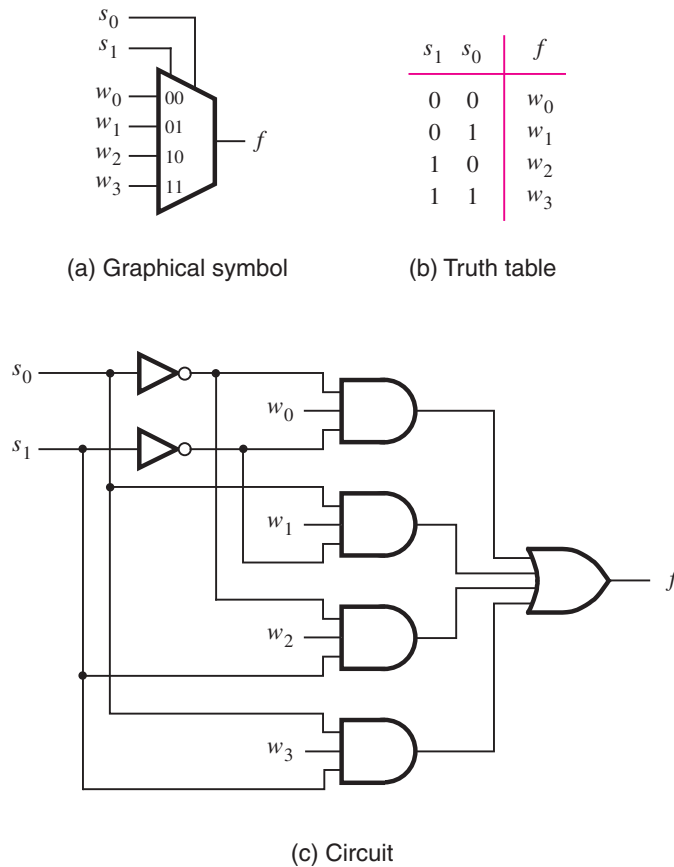


(c) Sum-of-products circuit



(d) Circuit with transmission gates

**Figure 4.1** A 2-to-1 multiplexer.



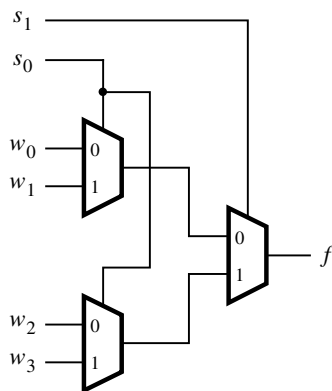
**Figure 4.2** A 4-to-1 multiplexer.

A sum-of-products implementation of the 4-to-1 multiplexer appears in Figure 4.2c. It realizes the multiplexer function

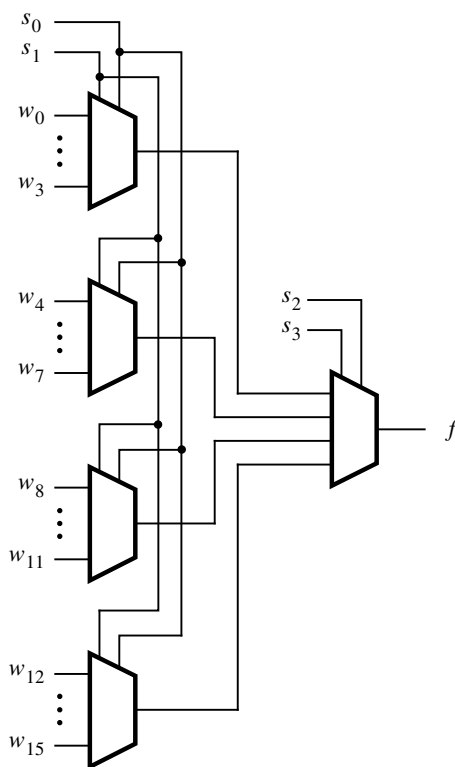
$$f = \bar{s}_1\bar{s}_0w_0 + \bar{s}_1s_0w_1 + s_1\bar{s}_0w_2 + s_1s_0w_3$$

It is possible to build larger multiplexers using the same approach. Usually, the number of data inputs,  $n$ , is an integer power of two. A multiplexer that has  $n$  data inputs,  $w_0, \dots, w_{n-1}$ , requires  $\lceil \log_2 n \rceil$  select inputs. Larger multiplexers can also be constructed from smaller multiplexers. For example, the 4-to-1 multiplexer can be built using three 2-to-1 multiplexers as illustrated in Figure 4.3. Figure 4.4 shows how a 16-to-1 multiplexer is constructed with five 4-to-1 multiplexers.

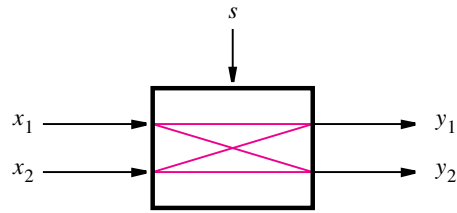




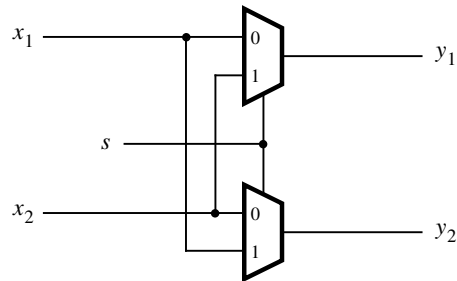
**Figure 4.3** Using 2-to-1 multiplexers to build a 4-to-1 multiplexer.



**Figure 4.4** A 16-to-1 multiplexer.



(a) A 2x2 crossbar switch



(b) Implementation using multiplexers

**Figure 4.5** A practical application of multiplexers.

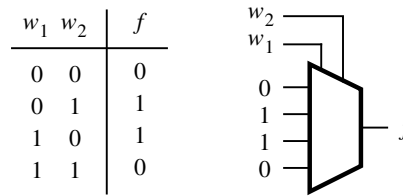
Figure 4.5 shows a circuit that has two inputs,  $x_1$  and  $x_2$ , and two outputs,  $y_1$  and  $y_2$ . As indicated by the blue lines, the function of the circuit is to allow either of its inputs to be connected to either of its outputs, under the control of another input,  $s$ . A circuit that has  $n$  inputs and  $k$  outputs, whose sole function is to provide a capability to connect any input to any output, is usually referred to as an  $n \times k$  crossbar switch. Crossbars of various sizes can be created, with different numbers of inputs and outputs. When there are two inputs and two outputs, it is called a  $2 \times 2$  crossbar.

**Example 4.1**

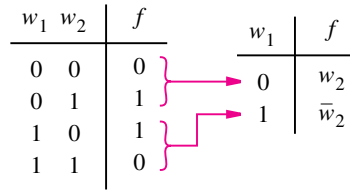
Figure 4.5b shows how the  $2 \times 2$  crossbar can be implemented using 2-to-1 multiplexers. The multiplexer select inputs are controlled by the signal  $s$ . If  $s = 0$ , the crossbar connects  $x_1$  to  $y_1$  and  $x_2$  to  $y_2$ , while if  $s = 1$ , the crossbar connects  $x_1$  to  $y_2$  and  $x_2$  to  $y_1$ . Crossbar switches are useful in many practical applications in which it is necessary to be able to connect one set of wires to another set of wires, where the connection pattern changes from time to time.

**4.1.1 SYNTHESIS OF LOGIC FUNCTIONS USING MULTIPLEXERS**

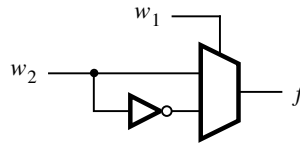
Multiplexers are useful in many practical applications, such as the one described above. They can also be used in a more general way to synthesize logic functions. Consider the



(a) Implementation using a 4-to-1 multiplexer



(b) Modified truth table



(c) Circuit

**Figure 4.6** Synthesis of a logic function using multiplexers.

example in Figure 4.6a. The truth table defines the function  $f = w_1 \oplus w_2$ . This function can be implemented by a 4-to-1 multiplexer in which the values of  $f$  in each row of the truth table are connected as constants to the multiplexer data inputs. The multiplexer select inputs are driven by  $w_1$  and  $w_2$ . Thus for each valuation of  $w_1 w_2$ , the output  $f$  is equal to the function value in the corresponding row of the truth table.

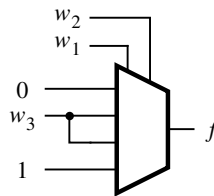
The above implementation is straightforward, but it is not very efficient. A better implementation can be derived by manipulating the truth table as indicated in Figure 4.6b, which allows  $f$  to be implemented by a single 2-to-1 multiplexer. One of the input signals,  $w_1$  in this example, is chosen as the select input of the 2-to-1 multiplexer. The truth table is redrawn to indicate the value of  $f$  for each value of  $w_1$ . When  $w_1 = 0$ ,  $f$  has the same value as input  $w_2$ , and when  $w_1 = 1$ ,  $f$  has the value of  $\bar{w}_2$ . The circuit that implements this truth table is given in Figure 4.6c. This procedure can be applied to synthesize a circuit that implements any logic function.

$w_1$	$w_2$	$w_3$	$f$
0	0	0	0
0	0	1	0
0	1	0	0
0	1	1	1
1	0	0	0
1	0	1	1
1	1	0	1
1	1	1	1

$w_1$	$w_2$	$f$
0	0	0
0	1	$w_3$
1	0	$w_3$
1	1	1

(a) Modified truth table



(b) Circuit

**Figure 4.7** Implementation of the three-input majority function using a 4-to-1 multiplexer.

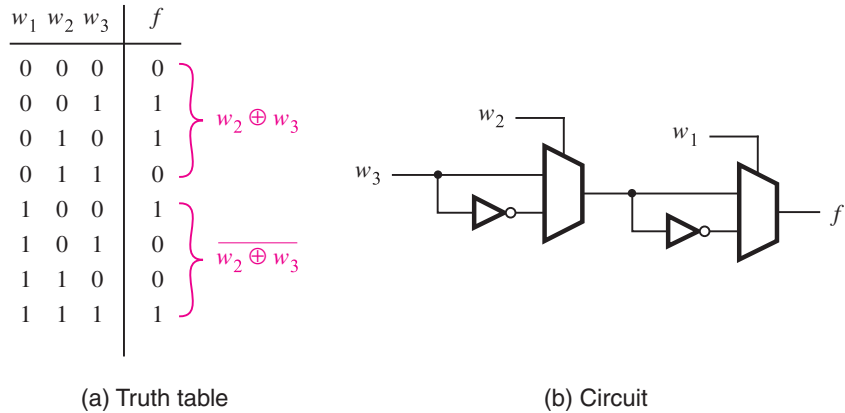
Figure 4.7a gives the truth table for the three-input majority function, and it shows how the truth table can be modified to implement the function using a 4-to-1 multiplexer. Any two of the three inputs may be chosen as the multiplexer select inputs. We have chosen  $w_1$  and  $w_2$  for this purpose, resulting in the circuit in Figure 4.7b.

### Example 4.2

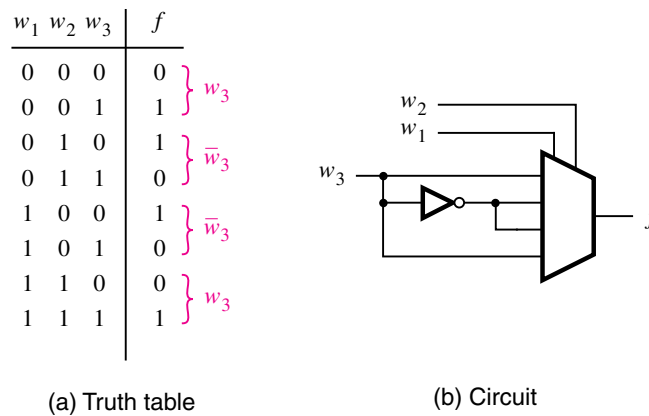
Figure 4.8a indicates how the function  $f = w_1 \oplus w_2 \oplus w_3$  can be implemented using 2-to-1 multiplexers. When  $w_1 = 0$ ,  $f$  is equal to the XOR of  $w_2$  and  $w_3$ , and when  $w_1 = 1$ ,  $f$  is the XNOR of  $w_2$  and  $w_3$ . Part (b) of the figure gives a corresponding circuit. The left multiplexer in the circuit produces  $w_2 \oplus w_3$ , using the result from Figure 4.6, and the right multiplexer uses the value of  $w_1$  to select either  $w_2 \oplus w_3$  or its complement. Note that we could have derived this circuit directly by writing the function as  $f = (w_2 \oplus w_3) \oplus w_1$ .

### Example 4.3

Figure 4.9 gives an implementation of the three-input XOR function using a 4-to-1 multiplexer. Choosing  $w_1$  and  $w_2$  for the select inputs results in the circuit shown.



**Figure 4.8** Three-input XOR implemented with 2-to-1 multiplexers.



**Figure 4.9** Three-input XOR implemented with a 4-to-1 multiplexer.

### 4.1.2 MULTIPLEXER SYNTHESIS USING SHANNON'S EXPANSION

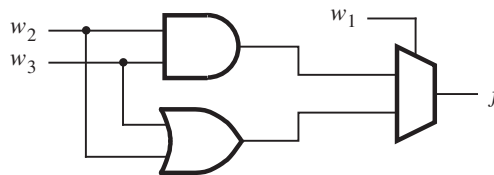
Figures 4.6 through 4.9 illustrate how truth tables can be interpreted to implement logic functions using multiplexers. In each case the inputs to the multiplexers are the constants 0 and 1, or some variable or its complement. Besides using such simple inputs, it is possible to connect more complex circuits as inputs to a multiplexer, allowing functions to be synthesized using a combination of multiplexers and other logic gates. Suppose that we want to implement the three-input majority function in Figure 4.7 using a 2-to-1 multiplexer

$w_1$	$w_2$	$w_3$	$f$
0	0	0	0
0	0	1	0
0	1	0	0
0	1	1	1
1	0	0	0
1	0	1	1
1	1	0	1
1	1	1	1

$w_1$	$f$
0	$w_2 w_3$
1	$w_2 + w_3$

(a) Truth table



(b) Circuit

**Figure 4.10** The three-input majority function implemented using a 2-to-1 multiplexer.

in this way. Figure 4.10 shows an intuitive way of realizing this function. The truth table can be modified as shown on the right. If  $w_1 = 0$ , then  $f = w_2 w_3$ , and if  $w_1 = 1$ , then  $f = w_2 + w_3$ . Using  $w_1$  as the select input for a 2-to-1 multiplexer leads to the circuit in Figure 4.10b.

This implementation can be derived using algebraic manipulation as follows. The function in Figure 4.10a is expressed in sum-of-products form as

$$f = \bar{w}_1 w_2 w_3 + w_1 \bar{w}_2 w_3 + w_1 w_2 \bar{w}_3 + w_1 w_2 w_3$$

It can be manipulated into

$$\begin{aligned} f &= \bar{w}_1 (w_2 w_3) + w_1 (\bar{w}_2 w_3 + w_2 \bar{w}_3 + w_2 w_3) \\ &= \bar{w}_1 (w_2 w_3) + w_1 (w_2 + w_3) \end{aligned}$$

which corresponds to the circuit in Figure 4.10b.

Multiplexer implementations of logic functions require that a given function be decomposed in terms of the variables that are used as the select inputs. This can be accomplished by means of a theorem proposed by Claude Shannon [1].

**Shannon's Expansion Theorem** Any Boolean function  $f(w_1, \dots, w_n)$  can be written in the form

$$f(w_1, w_2, \dots, w_n) = \bar{w}_1 \cdot f(0, w_2, \dots, w_n) + w_1 \cdot f(1, w_2, \dots, w_n)$$

This expansion can be done in terms of any of the  $n$  variables. We will leave the proof of the theorem as an exercise for the reader (see Problem 4.9).

To illustrate its use, we can apply the theorem to the three-input majority function, which can be written as

$$f(w_1, w_2, w_3) = w_1w_2 + w_1w_3 + w_2w_3$$

Expanding this function in terms of  $w_1$  gives

$$\begin{aligned} f &= \bar{w}_1(0 \cdot w_2 + 0 \cdot w_3 + w_2w_3) + w_1(1 \cdot w_2 + 1 \cdot w_3 + w_2w_3) \\ &= \bar{w}_1(w_2w_3) + w_1(w_2 + w_3) \end{aligned}$$

which is the expression that we derived above.

For the three-input XOR function, we have

$$\begin{aligned} f &= w_1 \oplus w_2 \oplus w_3 \\ &= \bar{w}_1(0 \oplus w_2 \oplus w_3) + w_1(1 \oplus w_2 \oplus w_3) \\ &= \bar{w}_1 \cdot (w_2 \oplus w_3) + w_1 \cdot (\overline{w_2 \oplus w_3}) \end{aligned}$$

which gives the circuit in Figure 4.8b.

In Shannon's expansion the term  $f(0, w_2, \dots, w_n)$  is called the *cofactor* of  $f$  with respect to  $\bar{w}_1$ ; it is denoted in shorthand notation as  $f_{\bar{w}_1}$ . Similarly, the term  $f(1, w_2, \dots, w_n)$  is called the cofactor of  $f$  with respect to  $w_1$ , written  $f_{w_1}$ . Hence we can write

$$f = \bar{w}_1 f_{\bar{w}_1} + w_1 f_{w_1}$$

In general, if the expansion is done with respect to variable  $w_i$ , then  $f_{\bar{w}_i}$  denotes  $f(w_1, \dots, w_{i-1}, 0, w_{i+1}, \dots, w_n)$ ,  $f_{w_i}$  denotes  $f(w_1, \dots, w_{i-1}, 1, w_{i+1}, \dots, w_n)$ , and

$$f(w_1, \dots, w_n) = \bar{w}_i f_{\bar{w}_i} + w_i f_{w_i}$$

The complexity of the logic expression may vary depending on which variable,  $w_i$ , is used, as illustrated in Example 4.4.

**Example 4.4** For the function  $f = \bar{w}_1w_3 + w_2\bar{w}_3$ , decomposition using  $w_1$  gives

$$\begin{aligned} f &= \bar{w}_1 f_{\bar{w}_1} + w_1 f_{w_1} \\ &= \bar{w}_1(w_3 + w_2) + w_1(w_2\bar{w}_3) \end{aligned}$$

Using  $w_2$  instead of  $w_1$  produces

$$\begin{aligned} f &= \bar{w}_2 f_{\bar{w}_2} + w_2 f_{w_2} \\ &= \bar{w}_2(\bar{w}_1w_3) + w_2(\bar{w}_1w_3 + \bar{w}_3) \\ &= \bar{w}_2(\bar{w}_1w_3) + w_2(\bar{w}_1 + \bar{w}_3) \end{aligned}$$

Finally, using  $w_3$  gives

$$\begin{aligned} f &= \bar{w}_3 f_{\bar{w}_3} + w_3 f_{w_3} \\ &= \bar{w}_3(w_2) + w_3(\bar{w}_1) \end{aligned}$$

The results generated using  $w_1$  and  $w_2$  have the same cost, but the expression produced using  $w_3$  has a lower cost. In practice, when performing decompositions of this type it is useful to try a number of alternatives and choose the one that produces the best result.

Shannon's expansion can be done in terms of more than one variable. For example, expanding a function in terms of  $w_1$  and  $w_2$  gives

$$\begin{aligned} f(w_1, \dots, w_n) &= \bar{w}_1 \bar{w}_2 \cdot f(0, 0, w_3, \dots, w_n) + \bar{w}_1 w_2 \cdot f(0, 1, w_3, \dots, w_n) \\ &\quad + w_1 \bar{w}_2 \cdot f(1, 0, w_3, \dots, w_n) + w_1 w_2 \cdot f(1, 1, w_3, \dots, w_n) \end{aligned}$$

This expansion gives a form that can be implemented using a 4-to-1 multiplexer. If Shannon's expansion is done in terms of all  $n$  variables, then the result is the canonical sum-of-products form, which was defined in Section 2.6.1.

**Assume** that we wish to implement the function

$$f = \bar{w}_1 \bar{w}_3 + w_1 w_2 + w_1 w_3$$

using a 2-to-1 multiplexer and any other necessary gates. Shannon's expansion using  $w_1$  gives

$$\begin{aligned} f &= \bar{w}_1 f_{\bar{w}_1} + w_1 f_{w_1} \\ &= \bar{w}_1(\bar{w}_3) + w_1(w_2 + w_3) \end{aligned}$$

The corresponding circuit is shown in Figure 4.11a. Assume now that we wish to use a 4-to-1 multiplexer instead. Further decomposition using  $w_2$  gives

$$\begin{aligned} f &= \bar{w}_1 \bar{w}_2 f_{\bar{w}_1 \bar{w}_2} + \bar{w}_1 w_2 f_{\bar{w}_1 w_2} + w_1 \bar{w}_2 f_{w_1 \bar{w}_2} + w_1 w_2 f_{w_1 w_2} \\ &= \bar{w}_1 \bar{w}_2(\bar{w}_3) + \bar{w}_1 w_2(\bar{w}_3) + w_1 \bar{w}_2(w_3) + w_1 w_2(1) \end{aligned}$$

The circuit is shown in Figure 4.11b.

**Consider** the three-input majority function

$$f = w_1 w_2 + w_1 w_3 + w_2 w_3$$

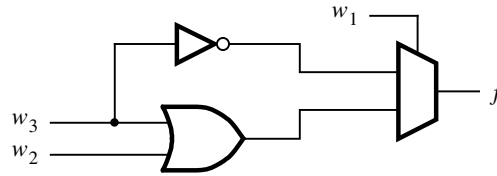
We wish to implement this function using only 2-to-1 multiplexers. Shannon's expansion using  $w_1$  yields

$$\begin{aligned} f &= \bar{w}_1(w_2 w_3) + w_1(w_2 + w_3 + w_2 w_3) \\ &= \bar{w}_1(w_2 w_3) + w_1(w_2 + w_3) \end{aligned}$$

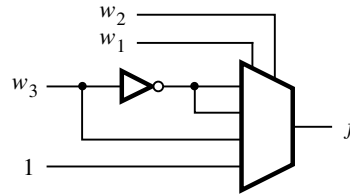
**Example 4.5**

**Example 4.6**

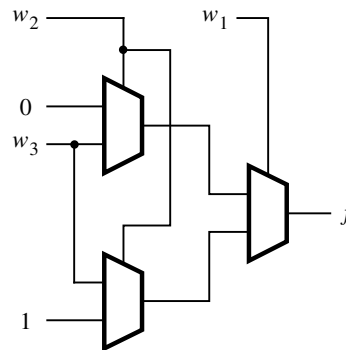




(a) Using a 2-to-1 multiplexer



(b) Using a 4-to-1 multiplexer

**Figure 4.11** The circuits synthesized in Example 4.5.**Figure 4.12** The circuit synthesized in Example 4.6.

Let  $g = w_2w_3$  and  $h = w_2 + w_3$ . Expansion of both  $g$  and  $h$  using  $w_2$  gives

$$g = \bar{w}_2(0) + w_2(w_3)$$

$$h = \bar{w}_2(w_3) + w_2(1)$$

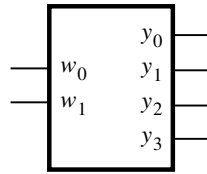
The corresponding circuit is shown in Figure 4.12. It is equivalent to the 4-to-1 multiplexer circuit derived using a truth table in Figure 4.7.

## 4.2 DECODERS

Consider the logic circuit in Figure 4.13. It has two inputs,  $w_1$  and  $w_0$ , and four outputs,  $y_0$ ,  $y_1$ ,  $y_2$ , and  $y_3$ . As shown in the truth table, only one of the outputs is asserted at a time, and each output corresponds to one valuation of the inputs. Setting the inputs  $w_1w_0$  to 00, 01, 10, or 11 causes the output  $y_0$ ,  $y_1$ ,  $y_2$ , or  $y_3$  to be set to 1, respectively. This type of circuit is called a *binary decoder*. Its inputs represent a binary number, which is decoded to assert the corresponding output. A circuit symbol and logic circuit for this decoder are shown in parts (b) and (c) of the figure. Each output is driven by an AND gate that decodes the corresponding valuation of  $w_1w_0$ .

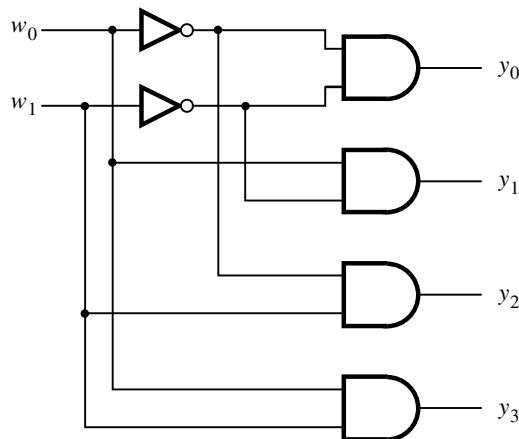
It is useful to include an *enable* input,  $En$ , in a decoder circuit, as illustrated in Figure 4.14. When enabled by setting  $En = 1$  the decoder behaves as presented in Figure 4.13.

$w_1$	$w_0$	$y_0$	$y_1$	$y_2$	$y_3$
0	0	1	0	0	0
0	1	0	1	0	0
1	0	0	0	1	0
1	1	0	0	0	1



(a) Truth table

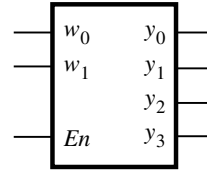
(b) Graphical symbol



(c) Logic circuit

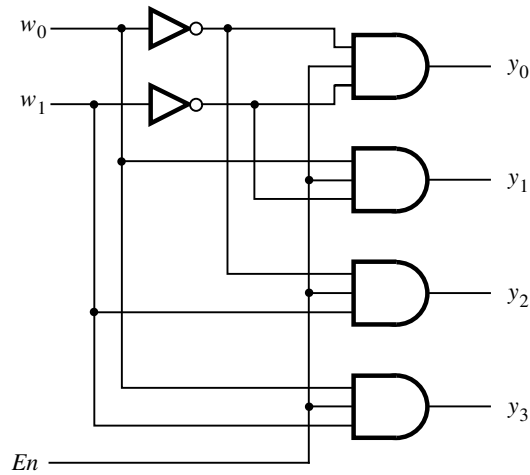
**Figure 4.13** A 2-to-4 decoder.

$En$	$w_1$	$w_0$	$y_0$	$y_1$	$y_2$	$y_3$
1	0	0	1	0	0	0
1	0	1	0	1	0	0
1	1	0	0	0	1	0
1	1	1	0	0	0	1
0	x	x	0	0	0	0

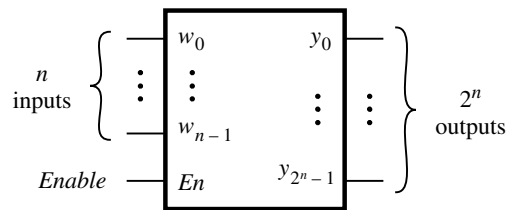


(a) Truth table

(b) Graphical symbol



(c) Logic circuit

(d) An  $n$ -to- $2^n$  decoder**Figure 4.14** Binary decoder.

But, if it is disabled by setting  $En = 0$ , then none of the outputs are asserted. Note that only five rows are shown in the truth table, because if  $En = 0$  then all outputs are equal to 0 regardless of the values of  $w_1$  and  $w_0$ . The truth table indicates this by showing  $x$  when it does not matter whether the variable in question has the value 0 or 1. A graphical symbol for this decoder is given in Figure 4.14*b*. Part (c) of the figure shows how the enable capability can be included in the decoder of Figure 4.13*c*. A binary decoder with  $n$  inputs has  $2^n$  outputs. A graphical symbol for an  $n$ -to- $2^n$  decoder is shown in Figure 4.14*d*.

A  $k$ -bit binary code in which exactly one of the bits is set to 1 at a time is referred to as *one-hot encoded*, meaning that the single bit that is set to 1 is deemed to be “hot.” The outputs of an enabled binary decoder are one-hot encoded.

We should also note that decoders can be designed to have either active-high or active-low outputs. In our discussion, we have assumed that active-high outputs are needed.

Larger decoders can be built using the sum-of-products structure in Figure 4.14*c*, or else they can be constructed from smaller decoders. Figure 4.15 shows how a 3-to-8 decoder is built with two 2-to-4 decoders. The  $w_2$  input drives the enable inputs of the two decoders. The top decoder is enabled if  $w_2 = 0$ , and the bottom decoder is enabled if  $w_2 = 1$ . This concept can be applied for decoders of any size. Figure 4.16 shows how five 2-to-4 decoders can be used to construct a 4-to-16 decoder. Because of its treelike structure, this type of circuit is often referred to as a *decoder tree*.

---

**Decoders** are useful for many practical purposes. In Figure 4.2*c* we showed the sum-of-products implementation of the 4-to-1 multiplexer, which requires AND gates to distinguish the four different valuations of the select inputs  $s_1$  and  $s_0$ . Since a decoder evaluates the values on its inputs, it can be used to build a multiplexer as illustrated in Figure 4.17. The enable input of the decoder is not needed in this case, and it is set to 1. The four outputs of the decoder represent the four valuations of the select inputs.

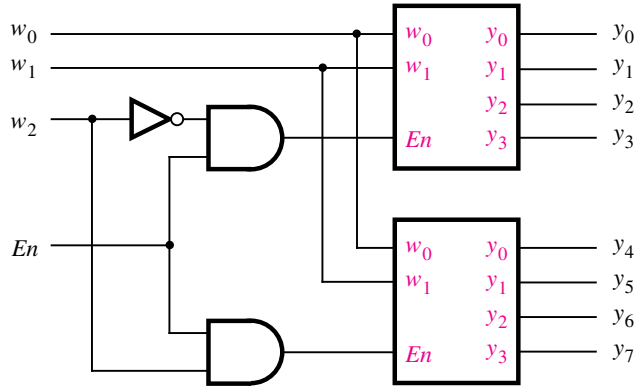
---

### Example 4.7

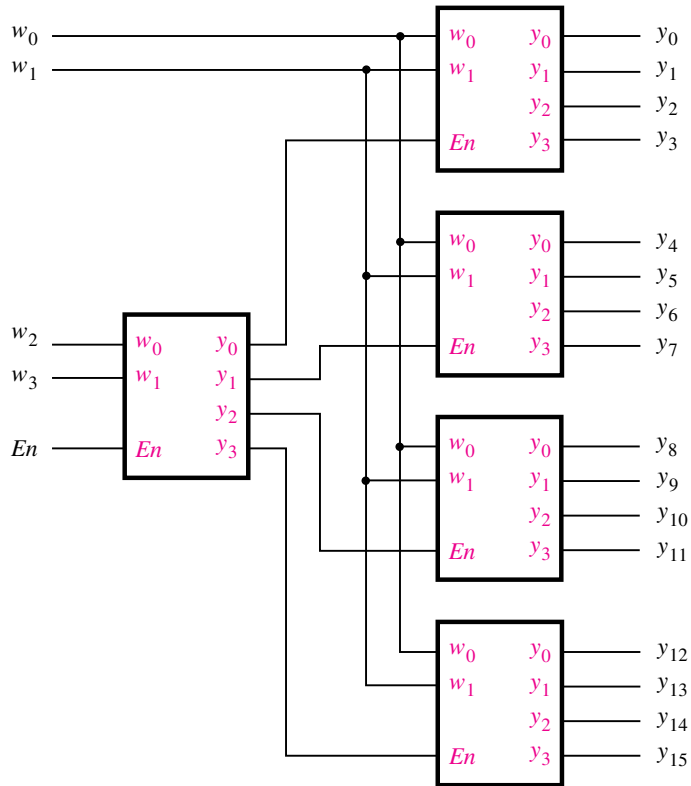
## 4.2.1 DEMULTIPLEXERS

We showed in Section 4.1 that a multiplexer has one output,  $n$  data inputs, and  $\lceil \log_2 n \rceil$  select inputs. The purpose of the multiplexer circuit is to *multiplex* the  $n$  data inputs onto the single data output under control of the select inputs. A circuit that performs the opposite function, namely, placing the value of a single data input onto multiple data outputs, is called a *demultiplexer*. The demultiplexer can be implemented using a decoder circuit. For example, the 2-to-4 decoder in Figure 4.14 can be used as a 1-to-4 demultiplexer. In this case the  $En$  input serves as the data input for the demultiplexer, and the  $y_0$  to  $y_3$  outputs are the data outputs. The valuation of  $w_1w_0$  determines which of the outputs is set to the value of  $En$ . To see how the circuit works, consider the truth table in Figure 4.14*a*. When  $En = 0$ , all the outputs are set to 0, including the one selected by the valuation of  $w_1w_0$ . When  $En = 1$ , the valuation of  $w_1w_0$  sets the appropriate output to 1.

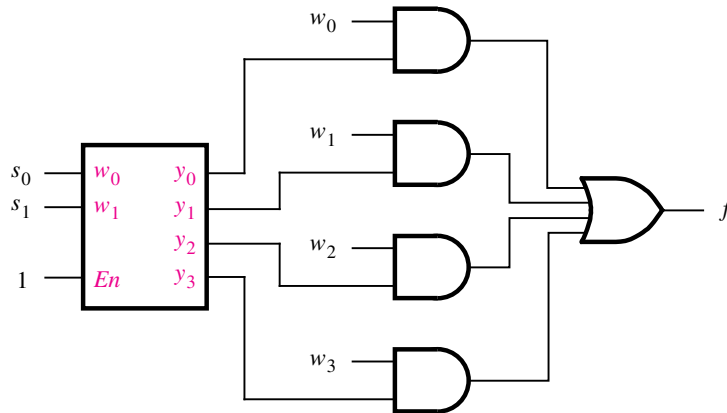
In general, an  $n$ -to- $2^n$  decoder circuit can be used as a 1-to- $n$  demultiplexer. However, in practice decoder circuits are used much more often as decoders rather than as demultiplexers.



**Figure 4.15** A 3-to-8 decoder using two 2-to-4 decoders.



**Figure 4.16** A 4-to-16 decoder built using a decoder tree.



**Figure 4.17** A 4-to-1 multiplexer built using a decoder.

## 4.3 ENCODERS

An encoder performs the opposite function of a decoder. It encodes given information into a more compact form.

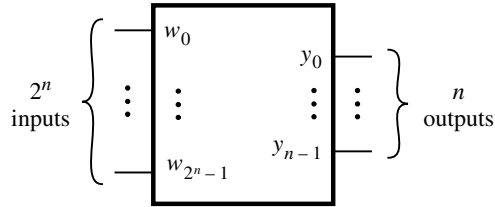
### 4.3.1 BINARY ENCODERS

A *binary encoder* encodes information from  $2^n$  inputs into an  $n$ -bit code, as indicated in Figure 4.18. Exactly one of the input signals should have a value of 1, and the outputs present the binary number that identifies which input is equal to 1. The truth table for a 4-to-2 encoder is provided in Figure 4.19a. Observe that the output  $y_0$  is 1 when either input  $w_1$  or  $w_3$  is 1, and output  $y_1$  is 1 when input  $w_2$  or  $w_3$  is 1. Hence these outputs can be generated by the circuit in Figure 4.19b. Note that we assume that the inputs are one-hot encoded. All input patterns that have multiple inputs set to 1 are not shown in the truth table, and they are treated as don't-care conditions.

Encoders are used to reduce the number of bits needed to represent given information. A practical use of encoders is for transmitting information in a digital system. Encoding the information allows the transmission link to be built using fewer wires. Encoding is also useful if information is to be stored for later use because fewer bits need to be stored.

### 4.3.2 PRIORITY ENCODERS

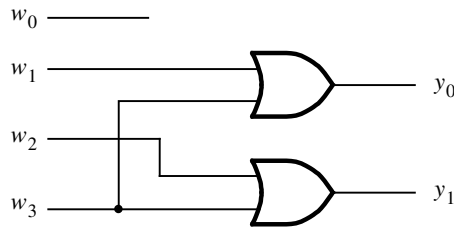
Another useful class of encoders is based on the priority of input signals. In a *priority encoder* each input has a priority level associated with it. The encoder outputs indicate the active input that has the highest priority. When an input with a high priority is asserted, the



**Figure 4.18** A  $2^n$ -to- $n$  binary encoder.

$w_3$	$w_2$	$w_1$	$w_0$	$y_1$	$y_0$
0	0	0	1	0	0
0	0	1	0	0	1
0	1	0	0	1	0
1	0	0	0	1	1

(a) Truth table



(b) Circuit

**Figure 4.19** A 4-to-2 binary encoder.

other inputs with lower priority are ignored. The truth table for a 4-to-2 priority encoder is shown in Figure 4.20. It assumes that  $w_0$  has the lowest priority and  $w_3$  the highest. The outputs  $y_1$  and  $y_0$  represent the binary number that identifies the highest priority input set to 1. Since it is possible that none of the inputs is equal to 1, an output,  $z$ , is provided to indicate this condition. It is set to 1 when at least one of the inputs is equal to 1. It is set to 0 when all inputs are equal to 0. The outputs  $y_1$  and  $y_0$  are not meaningful in this case, and hence the first row of the truth table can be treated as a don't-care condition for  $y_1$  and  $y_0$ .

$w_3$	$w_2$	$w_1$	$w_0$	$y_1$	$y_0$	$z$
0	0	0	0	d	d	0
0	0	0	1	0	0	1
0	0	1	x	0	1	1
0	1	x	x	1	0	1
1	x	x	x	1	1	1

**Figure 4.20** Truth table for a 4-to-2 priority encoder.

The behavior of the priority encoder is most easily understood by first considering the last row in the truth table. It specifies that if input  $w_3$  is 1, then the outputs are set to  $y_1y_0 = 11$ . Because  $w_3$  has the highest priority level, the values of inputs  $w_2$ ,  $w_1$ , and  $w_0$  do not matter. To reflect the fact that their values are irrelevant,  $w_2$ ,  $w_1$ , and  $w_0$  are denoted by the symbol  $x$  in the truth table. The second-last row in the truth table stipulates that if  $w_2 = 1$ , then the outputs are set to  $y_1y_0 = 10$ , but only if  $w_3 = 0$ . Similarly, input  $w_1$  causes the outputs to be set to  $y_1y_0 = 01$  only if both  $w_3$  and  $w_2$  are 0. Input  $w_0$  produces the outputs  $y_1y_0 = 00$  only if  $w_0$  is the only input that is asserted.

A logic circuit that implements the truth table can be synthesized by using the techniques developed in Chapter 2. However, a more convenient way to derive the circuit is to define a set of intermediate signals,  $i_0, \dots, i_3$ , based on the observations above. Each signal,  $i_k$ , is equal to 1 only if the input with the same index,  $w_k$ , represents the highest-priority input that is set to 1. The logic expressions for  $i_0, \dots, i_3$  are

$$i_0 = \bar{w}_3\bar{w}_2\bar{w}_1w_0$$

$$i_1 = \bar{w}_3\bar{w}_2w_1$$

$$i_2 = \bar{w}_3w_2$$

$$i_3 = w_3$$

Using the intermediate signals, the rest of the circuit for the priority encoder has the same structure as the binary encoder in Figure 4.19, namely

$$y_0 = i_1 + i_3$$

$$y_1 = i_2 + i_3$$

The output  $z$  is given by

$$z = i_0 + i_1 + i_2 + i_3$$



## 4.4 CODE CONVERTERS

The purpose of the decoder and encoder circuits is to convert from one type of input encoding to a different output encoding. For example, a 3-to-8 binary decoder converts from a binary number on the input to a one-hot encoding at the output. An 8-to-3 binary encoder performs the opposite conversion. There are many other possible types of code converters. One common example is a BCD-to-7-segment decoder, which was introduced in Section 2.14. A similar decoder is often used to display hexadecimal information on seven-segment displays. As explained in Section 3.1.2, long binary numbers are easier to deal with visually if they are represented in the hexadecimal form. A hex-to-7-segment decoder can be implemented as shown in Figure 4.21. Digits 0 to 9 are displayed the same as in the case of the BCD-to-7-segment decoder. Digits 10 to 15 are displayed as A, b, C, d, E, and F.

We should note that although the word *decoder* is traditionally used for such circuits, a more appropriate term is *code converter*. The term *decoder* is more appropriate for circuits that produce one-hot encoded outputs.

## 4.5 ARITHMETIC COMPARISON CIRCUITS

Chapter 3 presented arithmetic circuits that perform addition, subtraction, and multiplication of binary numbers. Another useful type of arithmetic circuit compares the relative sizes of two binary numbers. Such a circuit is called a *comparator*. This section considers the design of a comparator that has two  $n$ -bit inputs,  $A$  and  $B$ , which represent unsigned binary numbers. The comparator produces three outputs, called  $AeqB$ ,  $AgtB$ , and  $AltB$ . The  $AeqB$  output is set to 1 if  $A$  and  $B$  are equal. The  $AgtB$  output is 1 if  $A$  is greater than  $B$ , and the  $AltB$  output is 1 if  $A$  is less than  $B$ .

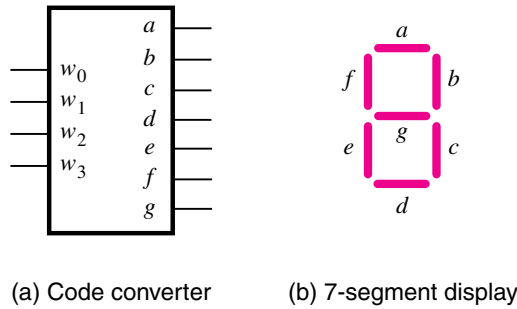
The desired comparator can be designed by creating a truth table that specifies the three outputs as functions of  $A$  and  $B$ . However, even for moderate values of  $n$ , the truth table is large. A better approach is to derive the comparator circuit by considering the bits of  $A$  and  $B$  in pairs. We can illustrate this by a small example, where  $n = 4$ .

Let  $A = a_3a_2a_1a_0$  and  $B = b_3b_2b_1b_0$ . Define a set of intermediate signals called  $i_3, i_2, i_1$ , and  $i_0$ . Each signal,  $i_k$ , is 1 if the bits of  $A$  and  $B$  with the same index are equal. That is,  $i_k = a_k \oplus b_k$ . The comparator's  $AeqB$  output is then given by

$$AeqB = i_3i_2i_1i_0$$

An expression for the  $AgtB$  output can be derived by considering the bits of  $A$  and  $B$  in the order from the most-significant bit to the least-significant bit. The first bit-position,  $k$ , at which  $a_k$  and  $b_k$  differ determines whether  $A$  is less than or greater than  $B$ . If  $a_k = 0$  and  $b_k = 1$ , then  $A < B$ . But if  $a_k = 1$  and  $b_k = 0$ , then  $A > B$ . The  $AgtB$  output is defined by

$$AgtB = a_3\bar{b}_3 + i_3a_2\bar{b}_2 + i_3i_2a_1\bar{b}_1 + i_3i_2i_1a_0\bar{b}_0$$



(a) Code converter (b) 7-segment display

$w_3$	$w_2$	$w_1$	$w_0$	$a$	$b$	$c$	$d$	$e$	$f$	$g$
0	0	0	0	1	1	1	1	1	1	0
0	0	0	1	0	1	1	0	0	0	0
0	0	1	0	1	1	0	1	1	0	1
0	0	1	1	1	1	1	1	0	0	1
0	1	0	0	0	1	1	0	0	1	1
0	1	0	1	1	0	1	1	0	1	1
0	1	1	0	1	0	1	1	1	1	1
0	1	1	1	1	1	1	0	0	0	0
1	0	0	0	1	1	1	1	1	1	1
1	0	0	1	1	1	1	1	0	1	1
1	0	1	0	1	1	1	0	1	1	1
1	0	1	1	0	0	1	1	1	1	1
1	1	0	0	1	0	0	1	1	1	0
1	1	0	1	0	1	1	1	1	0	1
1	1	1	0	1	0	0	1	1	1	1
1	1	1	1	1	0	0	0	1	1	1

(c) Truth table

**Figure 4.21** A hex-to-7-segment display code converter.

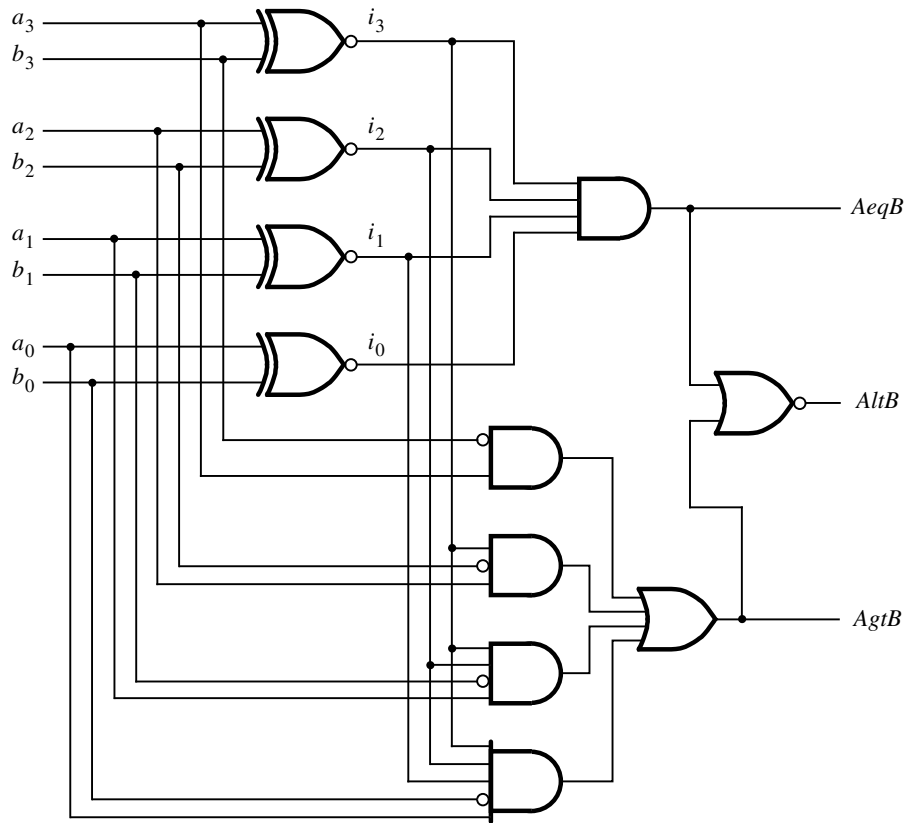
The  $i_k$  signals ensure that only the first bits, considered from the left to the right, of  $A$  and  $B$  that differ determine the value of  $AgtB$ .

The  $AltB$  output can be derived by using the other two outputs as

$$AltB = \overline{AeqB} + \overline{AgtB}$$

A logic circuit that implements the four-bit comparator circuit is shown in Figure 4.22. This approach can be used to design a comparator for any value of  $n$ .

Comparator circuits, like most logic circuits, can be designed in different ways. Another approach for designing a comparator circuit is presented in Example 3.9 in Chapter 3.



**Figure 4.22** A four-bit comparator circuit.

## 4.6 VERILOG FOR COMBINATIONAL CIRCUITS

Having presented a number of useful building block circuits, we will now consider how such circuits can be described in Verilog. Rather than using gates or logic expressions, we will specify the circuits in terms of their behavior. We will also give a more rigorous description of previously used behavioral Verilog constructs and introduce some new ones.

### 4.6.1 THE CONDITIONAL OPERATOR

In a logic circuit it is often necessary to choose between several possible signals or values based on the state of some condition. A typical example is a multiplexer circuit in which the output is equal to the data input signal chosen by the valuation of the select inputs. For simple implementation of such choices Verilog provides a *conditional* operator (`?:`) which

assigns one of two values depending on a conditional expression. It involves three operands used in the syntax

```
conditional_expression ? true_expression : false_expression
```

If the conditional expression evaluates to 1 (true), then the value of `true_expression` is chosen; otherwise, the value of `false_expression` is chosen. For example, the statement

```
A = (B < C) ? (D + 5) : (D + 2);
```

means that if  $B$  is less than  $C$ , the value of  $A$  will be  $D + 5$ , or else  $A$  will have the value  $D + 2$ . We used parentheses in the expression to improve readability; they are not necessary. The conditional operator can be used both in continuous assignment statements and in procedural statements inside an **always** block.

---

**A** 2-to-1 multiplexer can be defined using the conditional operator in an **assign** statement as shown in Figure 4.23. The module, named *mux2to1*, has the inputs  $w_0$ ,  $w_1$ , and  $s$ , and the output  $f$ . The signal  $s$  is used for the selection criterion. The output  $f$  is equal to  $w_1$  if the select input  $s$  has the value 1; otherwise,  $f$  is equal to  $w_0$ . Figure 4.24 shows how the same multiplexer can be defined by using the conditional operator inside an **always** block.

#### Example 4.8

The same approach can be used to define the 4-to-1 multiplexer from Figure 4.2. As seen in the truth table in Figure 4.2b, if the select input  $s_1 = 1$ , then  $f$  is set to either  $w_2$  or  $w_3$  based on the value of  $s_0$ . Similarly, if  $s_1 = 0$ , then  $f$  is set to either  $w_0$  or  $w_1$ . Figure 4.25 shows how nested conditional operators can be used to define this function. The module is called *mux4to1*. Its select inputs are represented by the two-bit vector  $S$ . The first conditional expression tests the value of bit  $s_1$ . If  $s_1 = 1$ , then  $s_0$  is tested and  $f$  is set to  $w_3$  if  $s_0 = 1$  and  $f$  is set to  $w_2$  if  $s_0 = 0$ . This corresponds to the third and fourth rows of the truth table in Figure 4.2b. Similarly, if  $s_1 = 0$  the conditional operator on the right chooses  $f = w_1$  if  $s_0 = 1$  and  $f = w_0$  if  $s_0 = 0$ , thus realizing the first two rows of the truth table.

---

```

module mux2to1 (w0, w1, s, f);
    input w0, w1, s;
    output f;

    assign f = s ? w1 : w0;

endmodule

```

**Figure 4.23** A 2-to-1 multiplexer specified using the conditional operator.

```

module mux2to1 (w0, w1, s, f);
  input w0, w1, s;
  output reg f;

  always @(w0, w1, s)
    f = s ? w1 : w0;

endmodule

```

**Figure 4.24** An alternative specification of a 2-to-1 multiplexer using the conditional operator.

```

module mux4to1 (w0, w1, w2, w3, S, f);
  input w0, w1, w2, w3;
  input [1:0] S;
  output f;

  assign f = S[1] ? (S[0] ? w3 : w2) : (S[0] ? w1 : w0);

endmodule

```

**Figure 4.25** A 4-to-1 multiplexer specified using the conditional operator.

## 4.6.2 THE IF-ELSE STATEMENT

We have already used the **if-else** statement in previous chapters. It has the syntax

```

if (conditional_expression) statement;
else statement;

```

The conditional expression may use the operators given in Table A.1. If the expression is evaluated to true then the first statement (or a block of statements delineated by **begin** and **end** keywords) is executed, or else the second statement (or a block of statements) is executed.

---

**Example 4.9** Figure 4.26 shows how the **if-else** statement can be used to describe a 2-to-1 multiplexer. The **if** clause states that  $f$  is assigned the value of  $w_0$  when  $s = 0$ . Else,  $f$  is assigned the value of  $w_1$ .

```

module mux2to1 (w0, w1, s, f);
  input w0, w1, s;
  output reg f;

  always @(w0, w1, s)
    if (s == 0)
      f = w0;
    else
      f = w1;

endmodule

```

**Figure 4.26** Code for a 2-to-1 multiplexer using the **if-else** statement.

The **if-else** statement can be used to implement larger multiplexers. A 4-to-1 multiplexer is shown in Figure 4.27. The **if-else** clauses set  $f$  to the value of one of the inputs  $w_0, \dots, w_3$ , depending on the valuation of  $S$ .

Another way of defining the same circuit is presented in Figure 4.28. In this case, a four-bit vector  $W$  is defined instead of single-bit signals  $w_0, w_1, w_2$ , and  $w_3$ . Also, the four different values of  $S$  are specified as decimal rather than binary numbers.

---

**Figure 4.4** shows how a 16-to-1 multiplexer can be built by using five 4-to-1 multiplexers. **Example 4.10** Figure 4.29 presents Verilog code for this circuit using five instantiations of the *mux4to1* module. The data inputs to the *mux16to1* module are the 16-bit vector  $W$ , and the select inputs are the four-bit vector  $S$ . In the Verilog code signal names are needed for the outputs of the four 4-to-1 multiplexers on the left of Figure 4.4. A four-bit signal named  $M$  is used for this purpose. The first multiplexer instantiated, *Mux1*, corresponds to the multiplexer at the top left of Figure 4.4. Its first four ports are driven by the signals  $W[0], \dots, W[3]$ . The syntax  $S[1:0]$  is used to attach the signals  $S[1]$  and  $S[0]$  to the two-bit  $S$  port of the *mux4to1* module. The  $M[0]$  signal is connected to the multiplexer's output port. Similarly, *Mux2*, *Mux3*, and *Mux4* are instantiations of the next three multiplexers on the left. The multiplexer on the right of Figure 4.4 is instantiated as *Mux5*. The signals  $M[0], \dots, M[3]$  are connected to its data inputs, and bits  $S[3]$  and  $S[2]$  are attached to the select inputs. The output port generates the *mux16to1* output  $f$ . Compiling the code results in the multiplexer function

$$f = \bar{s}_3\bar{s}_2\bar{s}_1\bar{s}_0w_0 + \bar{s}_3\bar{s}_2\bar{s}_1s_0w_1 + \bar{s}_3\bar{s}_2s_1\bar{s}_0w_2 + \dots + s_3s_2s_1\bar{s}_0w_{14} + s_3s_2s_1s_0w_{15}$$

Since the *mux4to1* module is being instantiated in the code of Figure 4.29, it is necessary to either include the code of Figure 4.28 in the same file as the *mux16to1* module or place the *mux4to1* module in a separate file in the same directory, or a directory with a

```

module mux4to1 (w0, w1, w2, w3, S, f);
  input w0, w1, w2, w3;
  input [1:0] S;
  output reg f;

  always @(*)
    if (S == 2'b00)
      f = w0;
    else if (S == 2'b01)
      f = w1;
    else if (S == 2'b10)
      f = w2;
    else
      f = w3;

endmodule

```

**Figure 4.27** Code for a 4-to-1 multiplexer using the **if-else** statement.

```

module mux4to1 (W, S, f);
  input [0:3] W;
  input [1:0] S;
  output reg f;

  always @(W, S)
    if (S == 0)
      f = W[0];
    else if (S == 1)
      f = W[1];
    else if (S == 2)
      f = W[2];
    else
      f = W[3];

endmodule

```

**Figure 4.28** Alternative specification of a 4-to-1 multiplexer.

specified path so that the Verilog compiler can find it. Observe that if the code in Figure 4.27 were used as the required *mux4to1* module, then we would have to list the ports separately, as in  $W[0]$ ,  $W[1]$ ,  $W[2]$ ,  $W[3]$ , rather than as the vector  $W[0:3]$ .

```

module mux16to1 (W, S, f);
  input [0:15] W;
  input [3:0] S;
  output f;
  wire [0:3] M;

  mux4to1 Mux1 (W[0:3], S[1:0], M[0]);
  mux4to1 Mux2 (W[4:7], S[1:0], M[1]);
  mux4to1 Mux3 (W[8:11], S[1:0], M[2]);
  mux4to1 Mux4 (W[12:15], S[1:0], M[3]);
  mux4to1 Mux5 (M[0:3], S[3:2], f);

endmodule

```

**Figure 4.29** Hierarchical code for a 16-to-1 multiplexer.

### 4.6.3 THE CASE STATEMENT

The **if-else** statement provides the means for choosing an alternative based on the value of an expression. When there are many possible alternatives, the code based on this statement may become awkward to read. Instead, it is often possible to use the Verilog **case** statement which is defined as

```

case (expression)
  alternative1: statement;
  alternative2: statement;
  .
  .
  .
  alternativej: statement;
  [default: statement;]
endcase

```

The value of the controlling expression and each alternative are compared bit by bit. When there is one or more matching alternative, the statement(s) associated with the first match (only) is executed. When the specified alternatives do not cover all possible valuations of the controlling expression, the optional **default** clause should be included. Otherwise, the Verilog compiler will synthesize memory elements to deal with the unspecified possibilities; we will discuss this issue in Chapter 5.

---

**The case** statement can be used to define a 4-to-1 multiplexer as shown in Figure 4.30. The four values that the select vector *S* can have are given as decimal numbers, but they could also be given as binary numbers. **Example 4.11**

---



```

module mux4to1 (W, S, f);
  input [0:3] W;
  input [1:0] S;
  output reg f;

  always @(W, S)
    case (S)
      0: f = W[0];
      1: f = W[1];
      2: f = W[2];
      3: f = W[3];
    endcase

endmodule

```

**Figure 4.30** A 4-to-1 multiplexer defined using the **case** statement.

---

**Example 4.12** Figure 4.31 shows how a **case** statement can be used to describe the truth table for a 2-to-4 binary decoder. The module is called *dec2to4*. The data inputs are the two-bit vector  $W$ , and the enable input is  $En$ . The four outputs are represented by the four-bit vector  $Y$ .

In the truth table for the decoder in Figure 4.14a, the inputs are listed in the order  $En w_1 w_0$ . To represent these three signals in the controlling expression, the Verilog code uses the concatenate operator to combine the  $En$  and  $W$  signals into a three-bit vector. The four alternatives in the **case** statement correspond to the truth table in Figure 4.14a where  $En = 1$ , and the decoder outputs have the same patterns as in the first four rows of the truth table. The last clause uses the **default** keyword and sets the decoder outputs to 0000, because it represents all other cases, namely those where  $En = 0$ .

---

**Example 4.13** The 2-to-4 decoder can be specified using a combination of **if-else** and **case** statements as given in Figure 4.32. If  $En = 0$ , then all four bits of the output  $Y$  are set to the value 0, else the **case** alternatives are evaluated if  $En = 1$ .

---

**Example 4.14** The tree structure of the 4-to-16 decoder in Figure 4.16 can be defined as shown in Figure 4.33. The inputs are a four-bit vector  $W$  and an enable signal  $En$ . The outputs are represented by the 16-bit vector  $Y$ . The circuit uses five instances of the 2-to-4 decoder defined in either Figure 4.31 or 4.32. The outputs of the left-most decoder in Figure 4.16 are denoted as the four-bit vector  $M$  in Figure 4.33.

---

```

module dec2to4 (W, En, Y);
  input [1:0] W;
  input En;
  output reg [0:3] Y;

  always @(W, En)
    case ({En, W})
      3'b100: Y = 4'b1000;
      3'b101: Y = 4'b0100;
      3'b110: Y = 4'b0010;
      3'b111: Y = 4'b0001;
      default: Y = 4'b0000;
    endcase

endmodule

```

**Figure 4.31** Verilog code for a 2-to-4 binary decoder.

```

module dec2to4 (W, En, Y);
  input [1:0] W;
  input En;
  output reg [0:3] Y;

  always @(W, En)
  begin
    if (En == 0)
      Y = 4'b0000;
    else
      case (W)
        0: Y = 4'b1000;
        1: Y = 4'b0100;
        2: Y = 4'b0010;
        3: Y = 4'b0001;
      endcase
    end
  endmodule

```

**Figure 4.32** Alternative code for a 2-to-4 binary decoder.

```

module dec4to16 (W, En, Y);
    input [3:0] W;
    input En;
    output [0:15] Y;
    wire [0:3] M;

    dec2to4 Dec1 (W[3:2], M[0:3], En);
    dec2to4 Dec2 (W[1:0], Y[0:3], M[0]);
    dec2to4 Dec3 (W[1:0], Y[4:7], M[1]);
    dec2to4 Dec4 (W[1:0], Y[8:11], M[2]);
    dec2to4 Dec5 (W[1:0], Y[12:15], M[3]);

endmodule

```

**Figure 4.33** Verilog code for a 4-to-16 decoder.

---

**Example 4.15** Another example of a **case** statement is given in Figure 4.34. The module, *seg7*, represents the hex-to-7-segment decoder in Figure 4.21. The hexadecimal input is the four-bit vector named *hex*, and the seven outputs are the seven-bit vector named *leds*. The **case** alternatives are listed so that they resemble the truth table in Figure 4.21c. Note that there is a comment to the right of the **case** statement, which labels the seven outputs with the letters from *a* to *g*. These labels indicate to the reader the correlation between the bits of the *leds* vector in the Verilog code and the seven segments in Figure 4.21b.

---

**Example 4.16** An arithmetic logic unit (ALU) is a logic circuit that performs various Boolean and arithmetic operations on *n*-bit operands. Table 4.1 specifies the functionality of a simple ALU, known as the 74381 chip, which has been available in the form of a standard chip in the family called the 7400-series. This ALU has 2 four-bit data inputs, *A* and *B*, a three-bit select input, *S*, and a four-bit output, *F*. As the table shows, *F* is defined by various arithmetic or Boolean operations on the inputs *A* and *B*. In this table + means arithmetic addition, and – means arithmetic subtraction. To avoid confusion, the table uses the words XOR, OR, and AND for the Boolean operations. Each Boolean operation is done in a bitwise fashion. For example,  $F = A \text{ AND } B$  produces the four-bit result  $f_0 = a_0b_0$ ,  $f_1 = a_1b_1$ ,  $f_2 = a_2b_2$ , and  $f_3 = a_3b_3$ .

Figure 4.35 shows how the functionality of the 74381 ALU can be described in Verilog code. The **case** statement shown corresponds directly to Table 4.1.

---

### The Casex and Casez Statements

Logic circuits that we have considered so far operate using the logic values 0 and 1. When specifying the functionality of such circuits in the form of a truth table, we sometimes encounter cases where it does not matter whether a given logic variable has the value 0 or 1, as seen in Figures 4.14a and 4.20. It is customary to use the letter *x* to denote such cases, where *x* represents an unknown value.

```

module seg7 (hex, leds);
  input [3:0] hex;
  output reg [1:7] leds;

  always @(hex)
    case (hex) //abcdefg
      0: leds = 7'b1111110;
      1: leds = 7'b0110000;
      2: leds = 7'b1101101;
      3: leds = 7'b1111001;
      4: leds = 7'b0110011;
      5: leds = 7'b1011011;
      6: leds = 7'b1011111;
      7: leds = 7'b1110000;
      8: leds = 7'b1111111;
      9: leds = 7'b1111011;
     10: leds = 7'b1110111;
     11: leds = 7'b0011111;
     12: leds = 7'b1001110;
     13: leds = 7'b0111101;
     14: leds = 7'b1001111;
     15: leds = 7'b1000111;
    endcase

endmodule

```

**Figure 4.34** Code for a hex-to-7-segment decoder.

**Table 4.1** The functionality of the 74381 ALU.

Operation	Inputs	Outputs
	$s_2 s_1 s_0$	F
Clear	0 0 0	0 0 0 0
B-A	0 0 1	$B - A$
A-B	0 1 0	$A - B$
ADD	0 1 1	$A + B$
XOR	1 0 0	$A \text{ XOR } B$
OR	1 0 1	$A \text{ OR } B$
AND	1 1 0	$A \text{ AND } B$
Preset	1 1 1	1 1 1 1

```

// 74381 ALU
module alu (S, A, B, F);
    input [2:0] S;
    input [3:0] A, B;
    output reg [3:0] F;

    always @(S, A, B)
        case (S)
            0: F = 4'b0000;
            1: F = B - A;
            2: F = A - B;
            3: F = A + B;
            4: F = A ^ B;
            5: F = A | B;
            6: F = A & B;
            7: F = 4'b1111;
        endcase
    endmodule

```

**Figure 4.35** Code that represents the functionality of the 74381 ALU chip.

It is also possible to implement circuits that can produce three different types of output signals. In addition to the usual 0 and 1 values, there is a third value that indicates that the output line is not connected to any defined voltage level. In this state the output behaves like an open circuit, as explained in Appendix B. We say that the output is in the *high-impedance* state, which is usually denoted by using the letter *z*.

In Verilog, a signal can have four possible values: 0, 1, *z*, or *x*. The *z* and *x* values can also be denoted by the capital letters *Z* and *X*. In the **case** statement it is possible to use the logic values 0, 1, *z*, and *x* in the **case** alternatives. A bit-by-bit comparison is used to determine the match between the expression and one of the alternatives.

Verilog provides two variants of the **case** statement that treat the *z* and *x* values in a different way. The **casez** statement treats all *z* values in the case alternatives and the controlling expression as don't cares. The **casex** statement treats all *z* and *x* values as don't cares.

---

**Example 4.17** Figure 4.36 gives Verilog code for the priority encoder defined in Figure 4.20. The desired priority scheme is realized by using a **casex** statement. The first alternative specifies that the output is set to  $y_1y_0 = 3$  if the input  $w_3$  is 1. This assignment does not depend on the values of inputs  $w_2$ ,  $w_1$ , or  $w_0$ ; hence their values do not matter. The other alternatives in the **casex** statement are evaluated only if  $w_3 = 0$ . The second alternative states that if  $w_2$  is 1, then  $y_1y_0 = 2$ . If  $w_2 = 0$ , then the next alternative results in  $y_1y_0 = 1$  if  $w_1 = 1$ . If  $w_3 = w_2 = w_1 = 0$  and  $w_0 = 1$ , then the fourth alternative results in  $y_1y_0 = 0$ .

```

module priority (W, Y, z);
  input [3:0] W;
  output reg [1:0] Y;
  output reg z;

  always @(W)
  begin
    z = 1;
    case (W)
      4'b1xxx: Y = 3;
      4'b01xx: Y = 2;
      4'b001x: Y = 1;
      4'b0001: Y = 0;
      default: begin
        z = 0;
        Y = 2'bx;
      end
    endcase
  end

endmodule

```

**Figure 4.36** Verilog code for a priority encoder.

The priority encoder's output  $z$  must be set to 1 whenever at least one of the data inputs is 1. This output is set to 1 outside the **case** statement in the **always** block. If none of the four alternatives matches the value of  $W$ , then the **default** clause overrides the value of  $z$  and sets it to 0. The **default** clause also indicates that the  $Y$  output can be set to any pattern because it will be ignored.

#### 4.6.4 THE FOR LOOP

If the structure of a desired circuit exhibits a certain regularity, it may be convenient to define the circuit using a **for** loop. We introduced the **for** loop in Section 3.5.4, where it was useful in a generic specification of a ripple-carry adder. The **for** loop has the syntax

```
for (initial_index; terminal_index; increment) statement;
```

A loop control variable, which has to be of type **integer**, is set to the value given as the initial index. It is used in the statement or a block of statements delineated by **begin** and **end** keywords. After each iteration, the control variable is changed as defined in the increment. The iterations end after the control variable has reached the terminal index.

Unlike **for** loops in high-level programming languages, the Verilog **for** loop does not specify changes that take place in time through successive loop iterations. Instead, during each iteration it specifies a different subcircuit. In Figure 3.25 the **for** loop was used to define a cascade of full-adder subcircuits to form an  $n$ -bit ripple-carry adder. The **for** loop can be used to define many other structures as illustrated by the next two examples.

---

**Example 4.18** Figure 4.37 shows how the **for** loop can be used to specify a 2-to-4 decoder circuit. The effect of the loop is to repeat the **if-else** statement four times, for  $k = 0, \dots, 3$ . The first loop iteration sets  $y_0 = 1$  if  $W = 0$  and  $En = 1$ . Similarly, the other three iterations set the values of  $y_1, y_2,$  and  $y_3$  according to the values of  $W$  and  $En$ .

This arrangement can be used to specify a large  $n$ -to- $2^n$  decoder simply by increasing the sizes of vectors  $W$  and  $Y$  accordingly, and making  $n - 1$  be the terminal index value of  $k$ .

---

**Example 4.19** The priority encoder of Figure 4.20 can be defined by the Verilog code in Figure 4.38. In the **always** block, the output bits  $y_1$  and  $y_0$  are first set to the don't-care state and  $z$  is cleared to 0. Then, if one or more of the four inputs  $w_3, \dots, w_0$  is equal to 1, the **for** loop will set the valuation of  $y_1y_0$  to match the index of the highest priority input that has the value 1. Note that each successive iteration through the loop corresponds to a higher priority. Verilog semantics specify that a signal that receives multiple assignments in an **always** block retains the last assignment. Thus the iteration that corresponds to the highest priority input that is equal to 1 will override any setting of  $Y$  established during the previous iterations.

---

```

module dec2to4 (W, En, Y);
  input [1:0] W;
  input En;
  output reg [0:3] Y;
  integer k;

  always @(W, En)
    for (k = 0; k <= 3; k = k+1)
      if ((W == k) && (En == 1))
        Y[k] = 1;
      else
        Y[k] = 0;

endmodule

```

**Figure 4.37** A 2-to-4 binary decoder specified using the **for** loop.

```

module priority (W, Y, z);
  input [3:0] W;
  output reg [1:0] Y;
  output reg z;
  integer k;

  always @(W)
  begin
    Y = 2'bxx;
    z = 0;
    for (k = 0; k < 4; k = k+1)
      if (W[k])
        begin
          Y = k;
          z = 1;
        end
      end
    end

endmodule

```

**Figure 4.38** A priority encoder specified using the **for** loop.

### 4.6.5 VERILOG OPERATORS

In this section we discuss the Verilog operators that are useful for synthesizing logic circuits. Table 4.2 lists these operators in groups that reflect the type of operation performed. A more complete listing of the operators is given in Table A.1.

To illustrate the results produced by the various operators, we will use three-bit vectors  $A[2:0]$ ,  $B[2:0]$ , and  $C[2:0]$ , as well as scalars  $f$  and  $w$ .

#### Bitwise Operators

Bitwise operators operate on individual bits of operands. The  $\sim$  operator forms the 1's complement of the operand such that the statement

$$C = \sim A;$$

produces the result  $c_2 = \bar{a}_2$ ,  $c_1 = \bar{a}_1$ , and  $c_0 = \bar{a}_0$ , where  $a_i$  and  $c_i$  are the bits of the vectors  $A$  and  $C$ .

Most bitwise operators operate on pairs of bits. The statement

$$C = A \& B;$$

generates  $c_2 = a_2 \cdot b_2$ ,  $c_1 = a_1 \cdot b_1$ , and  $c_0 = a_0 \cdot b_0$ . Similarly, the  $|$  and  $\wedge$  operators perform bitwise OR and XOR operations. The  $\wedge\sim$  operator, which can also be written as  $\sim\wedge$ , produces the XNOR such that



**Table 4.2** Verilog operators.

Operator type	Operator symbols	Operation performed	Number of operands
Bitwise	~	1's complement	1
	&	Bitwise AND	2
		Bitwise OR	2
	^	Bitwise XOR	2
	~ ^ or ^ ~	Bitwise XNOR	2
Logical	!	NOT	1
	&&	AND	2
		OR	2
Reduction	&	Reduction AND	1
	~&	Reduction NAND	1
		Reduction OR	1
	~	Reduction NOR	1
	^	Reduction XOR	1
	~^ or ^ ~	Reduction XNOR	1
Arithmetic	+	Addition	2
	-	Subtraction	2
	~	2's complement	1
	*	Multiplication	2
	/	Division	2
Relational	>	Greater than	2
	<	Less than	2
	>=	Greater than or equal to	2
	<=	Less than or equal to	2
Equality	==	Logical equality	2
	!=	Logical inequality	2
Shift	>>	Right shift	2
	<<	Left shift	2
Concatenation	{,}	Concatenation	Any number
Replication	{({})}	Replication	Any number
Conditional	?:	Conditional	3

$$C = A \sim^{\wedge} B;$$

gives  $c_2 = \overline{a_2 \oplus b_2}$ ,  $c_1 = \overline{a_1 \oplus b_1}$ , and  $c_0 = \overline{a_0 \oplus b_0}$ . If the operands are of unequal size, then the shorter operand is extended by padding 0s to the left.

A scalar function may be assigned a value as a result of a bitwise operation on two vector operands. In this case, it is only the least-significant bits of the operands that are involved in the operation. Hence the statement

$$f = A \wedge B;$$

yields  $f = a_0 \oplus b_0$ .

&		0	1	x
<hr/>				
0		0	0	0
1		0	1	x
x		0	x	x

		0	1	x
<hr/>				
0		0	1	x
1		1	1	1
x		x	1	x

^		0	1	x
<hr/>				
0		0	1	x
1		1	0	x
x		x	x	x

~^		0	1	x
<hr/>				
0		1	0	x
1		0	1	x
x		x	x	x

**Figure 4.39** Truth tables for bitwise operators.

The bitwise operations may involve operands that include the unknown logic value  $x$ . Then the operations are performed according to the truth tables in Figure 4.39. For example, if  $P = 4'b101x$  and  $Q = 4'b1001$ , then  $P \& Q = 4'b100x$  while  $P | Q = 4'b1011$ .

### Logical Operators

The  $!$  operator has the same effect on a scalar operand as the  $\sim$  operator. Thus,  $f = !w = \sim w$ . But the effect on a vector operand is different, namely if

$$f = !A;$$

then  $f$  will be equal to 1 (true) only if all bits of  $A$  are equal to 0 (false). Hence,  $f = \frac{a_2 + a_1 + a_0}{a_2 + a_1 + a_0}$ .

The  $\&\&$  operator implements the AND operation such that

$$f = A \&\& B;$$

produces  $f = (a_2 + a_1 + a_0) \cdot (b_2 + b_1 + b_0)$ . Similarly, using the  $||$  operator in

$$f = A || B;$$

gives  $f = (a_2 + a_1 + a_0) + (b_2 + b_1 + b_0)$ .

### Reduction Operators

The reduction operators perform an operation on the bits of a single vector operand and produce a one-bit result. Using the  $\&$  operator in

$$f = \&A;$$

produces  $f = a_2 \cdot a_1 \cdot a_0$ . Similarly,

$$f = \^A;$$

gives  $f = a_2 \oplus a_1 \oplus a_0$ , and so on.

### Arithmetic Operators

We have already encountered the arithmetic operators in Chapter 3. They perform standard arithmetic operations. Thus

$$C = A + B;$$

puts the three-bit sum of  $A$  plus  $B$  into  $C$ , while

$$C = A - B;$$

puts the difference of  $A$  and  $B$  into  $C$ . The operation

$$C = -A;$$

places the 2's complement of  $A$  into  $C$ .

The addition, subtraction, and multiplication operations are supported by most CAD synthesis tools. However, the division operation is often not supported. When the Verilog compiler encounters an arithmetic operator, it usually synthesizes it by using an appropriate module from a library.

### Relational Operators

The relational operators are typically used as conditions in **if-else** and **for** statements. These operators have the same meaning as the corresponding operators in the C programming language. An expression that uses the relational operators returns the value 1 if it is evaluated as true, and the value 0 if evaluated as false. If there are any  $x$  (unknown) or  $z$  bits in the operands, then the expression takes the value  $x$ .

---

**Example 4.20** The use of relational operators in the **if-else** statement is illustrated in Figure 4.40. The defined circuit is the four-bit comparator described in Section 4.5.

---

### Equality Operators

The expression  $(A == B)$  is evaluated as true if  $A$  is equal to  $B$  and false otherwise. The  $!=$  operator has the opposite effect. The result is ambiguous ( $x$ ) if either operand contains  $x$  or  $z$  values.

### Shift Operators

A vector operand can be shifted to the right or left by a number of bits specified as a constant. When bits are shifted, the vacant bit positions are filled with 0s. For example,

$$B = A << 1;$$

results in  $b_2 = a_1$ ,  $b_1 = a_0$ , and  $b_0 = 0$ . Similarly,

$$B = A >> 2;$$

yields  $b_2 = b_1 = 0$  and  $b_0 = a_2$ .

```

module compare (A, B, AeqB, AgtB, AltB);
  input [3:0] A, B;
  output reg AeqB, AgtB, AltB;

  always @(A, B)
  begin
    AeqB = 0;
    AgtB = 0;
    AltB = 0;
    if (A == B)
      AeqB = 1;
    else if (A > B)
      AgtB = 1;
    else
      AltB = 1;
  end

endmodule

```

**Figure 4.40** Verilog code for a four-bit comparator.

### Concatenate Operator

This operator concatenates two or more vectors to create a larger vector. For example,

$$D = \{A, B\};$$

defines the six-bit vector  $D = a_2a_1a_0b_2b_1b_0$ . Similarly, the concatenation

$$E = \{3'b111, A, 2'b00\};$$

produces the eight-bit vector  $E = 111a_2a_1a_000$ .

### Replication Operator

This operator allows repetitive concatenation of the same vector, which is replicated the number of times indicated in the replication constant. For example,  $\{3\{A\}\}$  is equivalent to writing  $\{A, A, A\}$ . The specification  $\{4\{2'b10\}\}$  produces the eight-bit vector 10101010.

The replication operator may be used in conjunction with the concatenate operator. For instance,  $\{2\{A\}, 3\{B\}\}$  is equivalent to  $\{A, A, B, B, B\}$ . We introduced the concatenate and replication operators in Sections 3.5.6 and 3.5.8, respectively, and illustrated their use in specifying the adder circuits.

**Table 4.3** Precedence of Verilog operators.

Operator type	Operator symbols	Precedence
Complement	! ~ -	Highest precedence
Arithmetic	* / + -	
Shift	<< >>	
Relational	< <= > >=	
Equality	== !=	
Reduction	& ~& & ^ ~ ^   ~	
Logical	&& 	
Conditional	?:	Lowest precedence

### Conditional Operator

The conditional operator is discussed fully in Section 4.6.1.

### Operator Precedence

The Verilog operators are assumed to have the precedence indicated in Table 4.3. The order of precedence is from top to bottom; operators in the top row have the highest precedence and those in the bottom row have the lowest precedence. The operators listed in the same row have the same precedence.

The designer can use parentheses to change the precedence of operators in Verilog code or remove any possible misinterpretation. It is a good practice to use parentheses to make the code unambiguous and easy to read.

## 4.6.6 THE GENERATE CONSTRUCT

In Section 3.5.4 we introduced the **generate** loop capability which can be used to create multiple instances of subcircuits. A subcircuit may be defined in a block of statements delineated by the **generate** and **endgenerate** keywords. The subcircuit is instantiated multiple times using a generate-index variable. This variable is defined using the **genvar** keyword and it can have only positive integer values. It is not possible to use an index declared as a normal **integer** variable.

**Example 4.21** Figure 4.41 shows how the **generate** construct can be used to specify an  $n$ -bit ripple-carry adder. The subcircuit is a full-adder defined structurally in terms of primitive gates as introduced in Figure 3.18. The **for** loop causes the full-adder block to be instantiated  $n$  times.

```

module addern (carryin, X, Y, S, carryout);
  parameter n = 32;
  input carryin;
  input [n-1:0] X, Y;
  output [n-1:0] S;
  output carryout;
  wire [n:0] C;

  genvar k;
  assign C[0] = carryin;
  assign carryout = C[n];
  generate
    for (k = 0; k < n; k = k+1)
      begin: fulladd_stage
        wire z1, z2, z3; //wires within full-adder
        xor (S[k], X[k], Y[k], C[k]);
        and (z1, X[k], Y[k]);
        and (z2, X[k], C[k]);
        and (z3, Y[k], C[k]);
        or (C[k+1], z1, z2, z3);
      end
    endgenerate

endmodule

```

**Figure 4.41** Using the **generate** loop to define an  $n$ -bit ripple-carry adder.

In this example, the **for** statement is used in the **generate** block to control the selection of the generated objects. The **generate** block can also contain **if-else** and **case** statements to determine which objects are generated.

### 4.6.7 TASKS AND FUNCTIONS

In high-level programming languages it is possible to use subroutines and functions to avoid replicating specific routines that may be needed in several places of a given program. Verilog provides similar capabilities, known as tasks and functions. They can be used to modularize large designs and make the Verilog code easier to understand.

#### Verilog Task

A task is declared by the keyword **task** and it comprises a block of statements that ends with the keyword **endtask**. The task must be included in the module that calls it. It may

have input and output ports. These are not the ports of the module that contains the task, which are used to make external connections to the module. The task ports are used only to pass values between the module and the task.

---

**Example 4.22** In Figure 4.29 we showed the Verilog code for a 16-to-1 multiplexer that instantiates five copies of a 4-to-1 multiplexer circuit given in a separate module named *mux4to1*. The same circuit can be specified using the task approach as shown in Figure 4.42. Observe the key differences. The task *mux4to1* is included in the module *mux16to1*. It is called from an **always** block by means of an appropriate **case** statement. The output of a task must be a variable, hence *g* is of **reg** type.

---

```

module mux16to1 (W, S16, f);
  input [0:15] W;
  input [3:0] S16;
  output reg f;

  always @(W, S16)
    case (S16[3:2])
      0: mux4to1 (W[0:3], S16[1:0], f);
      1: mux4to1 (W[4:7], S16[1:0], f);
      2: mux4to1 (W[8:11], S16[1:0], f);
      3: mux4to1 (W[12:15], S16[1:0], f);
    endcase

  // Task that specifies a 4-to-1 multiplexer
  task mux4to1;
    input [0:3] X;
    input [1:0] S4;
    output reg g;

    case (S4)
      0: g = X[0];
      1: g = X[1];
      2: g = X[2];
      3: g = X[3];
    endcase
  endtask

endmodule

```

**Figure 4.42** Use of a task in Verilog code.

### Verilog Function

A function is declared by the keyword **function** and it comprises a block of statements that ends with the keyword **endfunction**. The function must have at least one input and it returns a single value that is placed where the function is invoked.

Figure 4.43 shows how the code in Figure 4.42 can be written to use a function. The Verilog compiler essentially inserts the body of the function at each place where it is called. Hence the clause

```
0: f = mux4to1 (W[0:3], S16[1:0]);
```

becomes

```

module mux16to1 (W, S16, f);
  input [0:15] W;
  input [3:0] S16;
  output reg f;

  // Function that specifies a 4-to-1 multiplexer
  function mux4to1;
    input [0:3] X;
    input [1:0] S4;

    case (S4)
      0: mux4to1 = X[0];
      1: mux4to1 = X[1];
      2: mux4to1 = X[2];
      3: mux4to1 = X[3];
    endcase
  endfunction

  always @(W, S16)
    case (S16[3:2])
      0: f = mux4to1 (W[0:3], S16[1:0]);
      1: f = mux4to1 (W[4:7], S16[1:0]);
      2: f = mux4to1 (W[8:11], S16[1:0]);
      3: f = mux4to1 (W[12:15], S16[1:0]);
    endcase

endmodule

```

**Figure 4.43** The code from Figure 4.42 using a function.



```
0: case (S16[1:0])
    0: f = W[0];
    1: f = W[1];
    2: f = W[2];
    3: f = W[3];
endcase
```

The function serves as a convenience that makes the *mux16to1* module more compact.

---

A Verilog function can invoke another function but it cannot call a Verilog task. A task may call another task and it may invoke a function. In Figure 4.42 we defined the task after the **always** block that calls it. In contrast, in Figure 4.43 we defined the function before the **always** block that invokes it. Both possibilities are allowed in the Verilog standard for both tasks and functions. However, some tools require functions to be defined before the statements that invoke them.

---

## 4.7 CONCLUDING REMARKS

This chapter has introduced a number of circuit building blocks. Examples using these blocks to construct larger circuits will be presented in later chapters. To describe the building block circuits efficiently, several Verilog constructs have been introduced. In many cases a given circuit can be described in various ways, using different constructs. A circuit that can be described using an **if-else** statement can also be described using a **case** statement or perhaps a **for** loop. In general, there are no strict rules that dictate when one style should be preferred over another. With experience the user develops a sense for which types of statements work well in a particular design situation. Personal preference also influences how the code is written.

Verilog is not a programming language, and Verilog code should not be written as if it were a computer program. The statements discussed in this chapter can be used to create large, complex circuits. A good way to design such circuits is to construct them using well-defined modules, in the manner that we illustrated for the multiplexers, decoders, encoders, and so on. Additional examples using the Verilog statements introduced in this chapter are given in Chapters 5 and 6. In Chapter 7 we provide a number of examples of using Verilog code to describe larger digital systems. For more information on Verilog, the reader can consult more specialized books [2–8].

In the next chapter we introduce logic circuits that include the ability to store logic signal values in memory elements.

## 4.8 EXAMPLES OF SOLVED PROBLEMS

This section presents some typical problems that the reader may encounter, and shows how such problems can be solved.

**Problem:** Implement the function  $f(w_1, w_2, w_3) = \sum m(0, 1, 3, 4, 6, 7)$  by using a 3-to-8 binary decoder and an OR gate. **Example 4.24**

**Solution:** The decoder generates a separate output for each minterm of the required function. These outputs are then combined in the OR gate, giving the circuit in Figure 4.44.

**Problem:** Derive a circuit that implements an 8-to-3 binary encoder. **Example 4.25**

**Solution:** The truth table for the encoder is shown in Figure 4.45. Only those rows for which a single input variable is equal to 1 are shown; the other rows can be treated as don't care cases. From the truth table it is seen that the desired circuit is defined by the equations

$$y_2 = w_4 + w_5 + w_6 + w_7$$

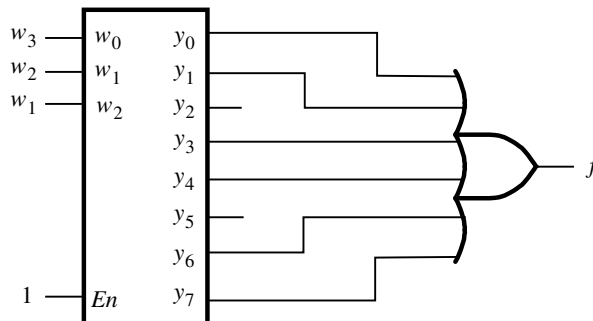
$$y_1 = w_2 + w_3 + w_6 + w_7$$

$$y_0 = w_1 + w_3 + w_5 + w_7$$

**Problem:** Implement the function **Example 4.26**

$$f(w_1, w_2, w_3, w_4, w_5) = \bar{w}_1\bar{w}_2\bar{w}_4\bar{w}_5 + w_1w_2 + w_1w_3 + w_1w_4 + w_3w_4w_5$$

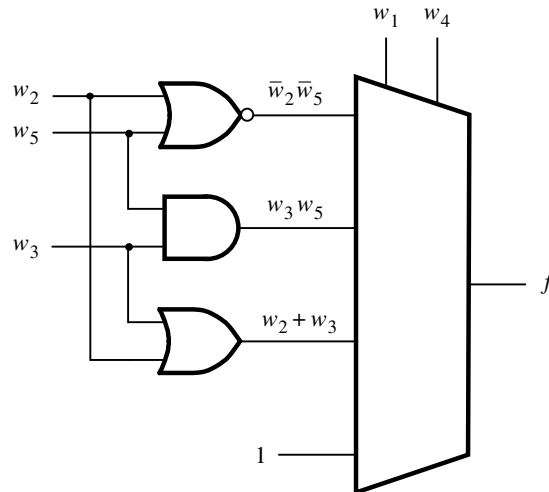
by using a 4-to-1 multiplexer and as few other gates as possible. Assume that only the uncomplemented inputs  $w_1, w_2, w_3, w_4,$  and  $w_5$  are available.



**Figure 4.44** Circuit for Example 4.24.

$w_7$	$w_6$	$w_5$	$w_4$	$w_3$	$w_2$	$w_1$	$w_0$	$y_2$	$y_1$	$y_0$
0	0	0	0	0	0	0	1	0	0	0
0	0	0	0	0	0	1	0	0	0	1
0	0	0	0	0	1	0	0	0	1	0
0	0	0	0	1	0	0	0	0	1	1
0	0	0	1	0	0	0	0	1	0	0
0	0	1	0	0	0	0	0	1	0	1
0	1	0	0	0	0	0	0	1	1	0
1	0	0	0	0	0	0	0	1	1	1

**Figure 4.45** Truth table for an 8-to-3 binary encoder.



**Figure 4.46** Circuit for Example 4.26.

**Solution:** Since variables  $w_1$  and  $w_4$  appear in more product terms in the expression for  $f$  than the other three variables, let us perform Shannon's expansion with respect to these two variables. The expansion gives

$$\begin{aligned}
 f &= \bar{w}_1 \bar{w}_4 f_{\bar{w}_1 \bar{w}_4} + \bar{w}_1 w_4 f_{\bar{w}_1 w_4} + w_1 \bar{w}_4 f_{w_1 \bar{w}_4} + w_1 w_4 f_{w_1 w_4} \\
 &= \bar{w}_1 \bar{w}_4 (\bar{w}_2 \bar{w}_5) + \bar{w}_1 w_4 (w_3 w_5) + w_1 \bar{w}_4 (w_2 + w_3) + w_1 w_4 (1)
 \end{aligned}$$

We can use a NOR gate to implement  $\bar{w}_2 \bar{w}_5 = \overline{w_2 + w_5}$ . We also need an AND gate and an OR gate. The complete circuit is presented in Figure 4.46.

$b_2$	$b_1$	$b_0$	$g_2$	$g_1$	$g_0$
0	0	0	0	0	0
0	0	1	0	0	1
0	1	0	0	1	1
0	1	1	0	1	0
1	0	0	1	1	0
1	0	1	1	1	1
1	1	0	1	0	1
1	1	1	1	0	0

**Figure 4.47** Binary to Gray code conversion.

**Problem:** In Chapter 2 we pointed out that the rows and columns of a Karnaugh map are labeled using Gray code. This is a code in which consecutive valuations differ in one variable only. Figure 4.47 depicts the conversion between three-bit binary and Gray codes. Design a circuit that can convert a binary code into Gray code according to the figure.

**Example 4.27**

**Solution:** From the figure it follows that

$$\begin{aligned}
 g_2 &= b_2 \\
 g_1 &= b_1\bar{b}_2 + \bar{b}_1b_2 \\
 &= b_1 \oplus b_2 \\
 g_0 &= b_0\bar{b}_1 + \bar{b}_0b_1 \\
 &= b_0 \oplus b_1
 \end{aligned}$$

**Problem:** In Section 4.1.2 we showed that any logic function can be decomposed using Shannon's expansion theorem. For a four-variable function,  $f(w_1, \dots, w_4)$ , the expansion with respect to  $w_1$  is

**Example 4.28**

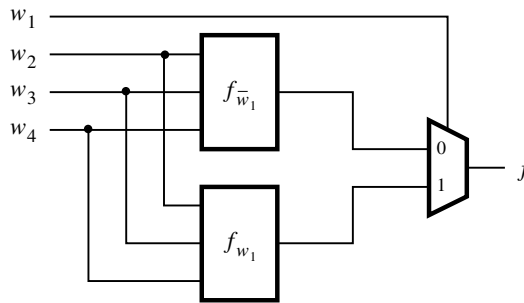
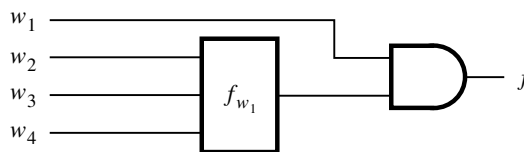
$$f(w_1, \dots, w_4) = \bar{w}_1 f_{\bar{w}_1} + w_1 f_{w_1}$$

A circuit that implements this expression is given in Figure 4.48a.

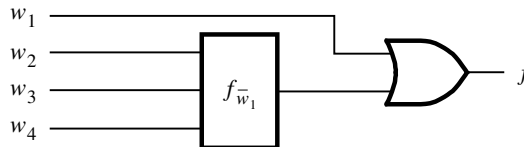
(a) If the decomposition yields  $f_{\bar{w}_1} = 0$ , then the multiplexer in the figure can be replaced by a single logic gate. Show this circuit.

(b) Repeat part (a) for the case where  $f_{w_1} = 1$ .

**Solution:** The desired circuits are shown in parts (b) and (c) of Figure 4.48.

(a) Shannon's expansion of the function  $f$ .

(b) Solution for part a.



(c) Solution for part b.

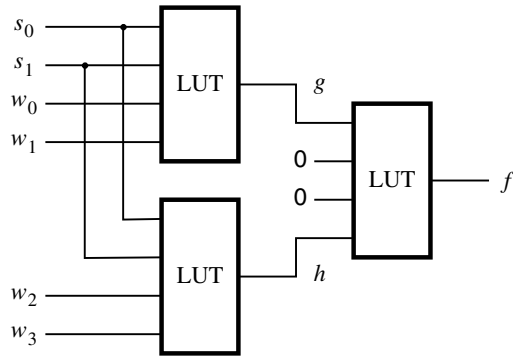
**Figure 4.48** Circuits for Example 4.28.

**Example 4.29 Problem:** In Section 2.17 we said that field-programmable gate arrays (FPGAs) contain lookup tables (LUTs) that are used to implement logic functions. Each LUT can be programmed to implement any logic function of its inputs. FPGAs are discussed in detail in Appendix B. Many commercial FPGAs contain four-input lookup tables (4-LUTs). What is the minimum number of 4-LUTs needed to construct a 4-to-1 multiplexer with select inputs  $s_1$  and  $s_0$  and data inputs  $w_3$ ,  $w_2$ ,  $w_1$ , and  $w_0$ ?

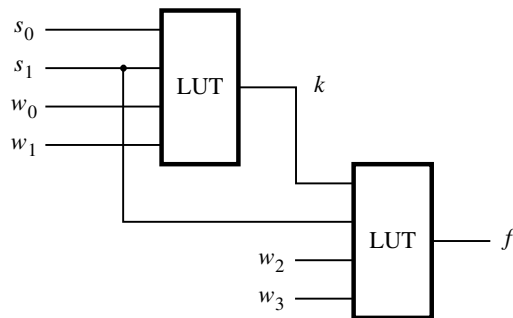
**Solution:** A straightforward attempt is to use directly the expression that defines the 4-to-1 multiplexer

$$f = \bar{s}_1\bar{s}_0w_0 + \bar{s}_1s_0w_1 + s_1\bar{s}_0w_2 + s_1s_0w_3$$

Let  $g = \bar{s}_1\bar{s}_0w_0 + \bar{s}_1s_0w_1$  and  $h = s_1\bar{s}_0w_2 + s_1s_0w_3$ , so that  $f = g + h$ . This decomposition leads to the circuit in Figure 4.49a, which requires three LUTs.



(a) Using three LUTs

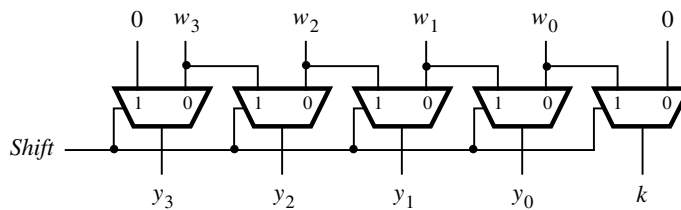


(b) Using two LUTs

**Figure 4.49** Circuits for Example 4.29.

When designing logic circuits, one can sometimes come up with a clever idea which leads to a superior implementation. Figure 4.49b shows how it is possible to implement the multiplexer with just two LUTs, based on the following observation. The truth table in Figure 4.2b indicates that when  $s_1 = 0$  the output must be either  $w_0$  or  $w_1$ , as determined by the value of  $s_0$ . This can be generated by the first LUT, with the output  $k$ . The second LUT must make the choice between  $w_2$  and  $w_3$  when  $s_1 = 1$ . But, the choice can be made only by knowing the value of  $s_0$ . Since it is impossible to have five inputs in the LUT, more information has to be passed from the first to the second LUT. Observe that when  $s_1 = 1$  the output  $f$  will be equal to either  $w_2$  or  $w_3$ , in which case it is not necessary to know the values of  $w_0$  and  $w_1$ . Hence, in this case we can pass on the value of  $s_0$  through the first LUT, rather than  $w_0$  or  $w_1$ . This can be done by making the function of this LUT

$$k = \bar{s}_1(\bar{s}_0w_0 + s_0w_1) + s_1s_0$$



**Figure 4.50** A shifter circuit.

Then, the second LUT performs the function

$$f = \bar{s}_1 k + s_1 (\bar{k} w_3 + k w_4)$$

---

**Example 4.30 Problem:** In digital systems it is often necessary to have circuits that can shift the bits of a vector by one or more bit positions to the left or right. Design a circuit that can shift a four-bit vector  $W = w_3 w_2 w_1 w_0$  one bit position to the right when a control signal *Shift* is equal to 1. Let the outputs of the circuit be a four-bit vector  $Y = y_3 y_2 y_1 y_0$  and a signal  $k$ , such that if *Shift* = 1 then  $y_3 = 0$ ,  $y_2 = w_3$ ,  $y_1 = w_2$ ,  $y_0 = w_1$ , and  $k = w_0$ . If *Shift* = 0 then  $Y = W$  and  $k = 0$ .

**Solution:** The required circuit can be implemented with five 2-to-1 multiplexers as shown in Figure 4.50. The *Shift* signal is used as the select input to each multiplexer.

---

**Example 4.31 Problem:** The shifter circuit in Example 4.30 shifts the bits of an input vector by one bit position to the right. It fills the vacated bit on the left side with 0. A more versatile shifter circuit may be able to shift by more bit positions at a time. If the bits that are shifted out are placed into the vacated positions on the left, then the circuit effectively rotates the bits of the input vector by a specified number of bit positions. Such a circuit is often called a *barrel shifter*. Design a four-bit barrel shifter that rotates the bits by 0, 1, 2, or 3 bit positions as determined by the valuation of two control signals  $s_1$  and  $s_0$ .

**Solution:** The required action is given in Figure 4.51a. The barrel shifter can be implemented with four 4-to-1 multiplexers as shown in Figure 4.51b. The control signals  $s_1$  and  $s_0$  are used as the select inputs to the multiplexers.

---

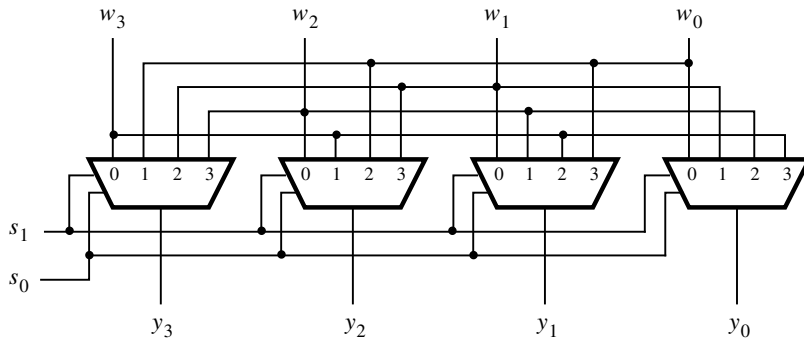
**Example 4.32 Problem:** Write Verilog code that represents the circuit in Figure 4.17. Use the *dec2to4* module in Figure 4.31 as a subcircuit in your code.

**Solution:** The code is shown in Figure 4.52. Note that the *dec2to4* module can be included in the same file as we have done in the figure, but it can also be in a separate file in the project directory.

---

$s_1$	$s_0$	$y_3$	$y_2$	$y_1$	$y_0$
0	0	$w_3$	$w_2$	$w_1$	$w_0$
0	1	$w_0$	$w_3$	$w_2$	$w_1$
1	0	$w_1$	$w_0$	$w_3$	$w_2$
1	1	$w_2$	$w_1$	$w_0$	$w_3$

(a) Truth table



(b) Circuit

**Figure 4.51** A barrel shifter circuit.

**Problem:** Write Verilog code that represents the shifter circuit in Figure 4.50.

**Example 4.33**

**Solution:** One possibility is to specify the structure of this circuit as shown in Figure 4.53. The **if-else** construct is used to define the desired shifting of individual bits. A typical Verilog compiler will implement this code with 2-to-1 multiplexers as depicted in Figure 4.50.

An alternative is to make use of the shift operator defined in Section 4.6.5, as indicated in Figure 4.54.

**Problem:** Write Verilog code that defines the barrel shifter in Figure 4.51.

**Example 4.34**

**Solution:** The code in Figure 4.55 is a possible solution. The rotate function is accomplished by concatenating two copies of the input vector  $W$  and shifting the obtained 8-bit vector to the right by the number of bit positions specified as the input  $S$ . The four least-significant bits of the resulting 8-bit vector are the desired output  $Y$ .



```

module mux4to1 (W, S, f);
  input [0:3] W;
  input [1:0] S;
  output f;
  wire [0:3] Y;

  dec2to4 decoder (S, 1, Y);
  assign f = |(W & Y);

endmodule

module dec2to4 (W, En, Y);
  input [1:0] W;
  input En;
  output reg [0:3] Y;

  always @(W, En)
    case ({En, W})
      3'b100: Y = 4'b1000;
      3'b101: Y = 4'b0100;
      3'b110: Y = 4'b0010;
      3'b111: Y = 4'b0001;
      default: Y = 4'b0000;
    endcase

endmodule

```

**Figure 4.52** Verilog code for Example 4.32.

---

**Example 4.35** The concept of *parity* is widely used in digital systems for error-checking purposes. When digital information is transmitted from one point to another, perhaps by long wires, it is possible for some bits to become corrupted during the transmission process. For example, the sender may transmit a bit whose value is equal to 1, but the receiver observes a bit whose value is 0. Suppose that a data item consists of  $n$  bits. A simple error-checking mechanism can be implemented by including an extra bit,  $p$ , which indicates the parity of the  $n$ -bit item. Two kinds of parity can be used. For *even parity* the  $p$  bit is given the value such that the total number of 1s in the  $n + 1$  transmitted bits (comprising the  $n$ -bit data and the parity bit  $p$ ) is even. For *odd parity* the  $p$  bit is given the value that makes the total number of 1s odd. The sender generates the  $p$  bit based on the  $n$ -bit data item that is to be transmitted. The receiver checks whether the parity of the received item is correct.

Parity generating and checking circuits can be realized with XOR gates. For example, for a four-bit data item consisting of bits  $x_3x_2x_1x_0$ , the even parity bit can be generated as

$$p = x_3 \oplus x_2 \oplus x_1 \oplus x_0$$

```

module shifter (W, Shift, Y, k);
  input [3:0] W;
  input Shift;
  output reg [3:0] Y;
  output reg k;

  always @(W, Shift)
  begin
    if (Shift)
      begin
        Y[3] = 0;
        Y[2:0] = W[3:1];
        k = W[0];
      end
    else
      begin
        Y = W;
        k = 0;
      end
    end
  end

endmodule

```

**Figure 4.53** Verilog code for the circuit in Figure 4.50.

At the receiving end the checking is done using

$$c = p \oplus x_3 \oplus x_2 \oplus x_1 \oplus x_0$$

If  $c = 0$ , then the received item shows the correct parity. If  $c = 1$ , then an error has occurred. Note that observing  $c = 0$  is not a guarantee that the received item is correct. If two or any even number of bits have their values inverted during the transmission, the parity of the data item will not be changed; hence the error will not be detected. But if an odd number of bits are corrupted, then the error will be detected.

**Problem:** The ASCII code, discussed in Section 1.5.3, uses seven-bit patterns to represent characters. In computer applications it is common to use one byte per character. The eighth bit,  $b_7$ , is usually set to 0 for use in digital processing. But, if the the character data is to be transmitted from one digital system to another, it may be prudent to use bit  $b_7$  as a parity bit. Write Verilog code that specifies a circuit that accepts an input byte (where  $b_7 = 0$ ) and produces an output byte where  $b_7$  is the even parity bit.

**Solution:** Let  $X$  and  $Y$  be the input and output bytes, respectively. Then, the desired solution is given in Figure 4.56.

```

module shifter (W, Shift, Y, k);
  input [3:0] W;
  input Shift;
  output reg [3:0] Y;
  output reg k;

  always @(W, Shift)
  begin
    if (Shift)
      begin
        Y = W >> 1;
        k = W[0];
      end
    else
      begin
        Y = W;
        k = 0;
      end
    end
  end

endmodule

```

**Figure 4.54** Alternative Verilog code for the circuit in Figure 4.50.

```

module barrel (W, S, Y);
  input [3:0] W;
  input [1:0] S;
  output [3:0] Y;
  wire [3:0] T;

  assign {T, Y} = {W, W} >> S;

endmodule

```

**Figure 4.55** Verilog code for the barrel shifter.

```

module parity (X, Y);
  input [7:0] X;
  output [7:0] Y;

  assign Y = {^X[6:0], X[6:0]};

endmodule

```

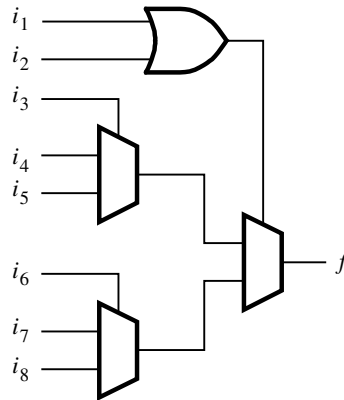
**Figure 4.56** Verilog code for Example 4.35.

---

**PROBLEMS**

Answers to problems marked by an asterisk are given at the back of the book.

- 4.1** Show how the function  $f(w_1, w_2, w_3) = \sum m(0, 2, 3, 4, 5, 7)$  can be implemented using a 3-to-8 binary decoder and an OR gate.
- 4.2** Show how the function  $f(w_1, w_2, w_3) = \sum m(1, 2, 3, 5, 6)$  can be implemented using a 3-to-8 binary decoder and an OR gate.
- \*4.3** Consider the function  $f = \bar{w}_1\bar{w}_3 + w_2\bar{w}_3 + \bar{w}_1w_2$ . Use the truth table to derive a circuit for  $f$  that uses a 2-to-1 multiplexer.
- 4.4** Repeat Problem 4.3 for the function  $f = \bar{w}_2\bar{w}_3 + w_1w_2$ .
- \*4.5** For the function  $f(w_1, w_2, w_3) = \sum m(0, 2, 3, 6)$ , use Shannon's expansion to derive an implementation using a 2-to-1 multiplexer and any other necessary gates.
- 4.6** Repeat Problem 4.5 for the function  $f(w_1, w_2, w_3) = \sum m(0, 4, 6, 7)$ .
- 4.7** Consider the function  $f = \bar{w}_2 + \bar{w}_1\bar{w}_3 + w_1w_3$ . Show how repeated application of Shannon's expansion can be used to derive the minterms of  $f$ .
- 4.8** Repeat Problem 4.7 for  $f = w_2 + \bar{w}_1\bar{w}_3$ .
- 4.9** Prove Shannon's expansion theorem presented in Section 4.1.2.
- \*4.10** Section 4.1.2 shows Shannon's expansion in sum-of-products form. Using the principle of duality, derive the equivalent expression in product-of-sums form.
- \*4.11** Consider the function  $f = \bar{w}_1\bar{w}_2 + \bar{w}_2\bar{w}_3 + w_1w_2w_3$ . The cost of this minimal sum-of-products expression is 14, which includes four gates and 10 inputs to the gates. Use Shannon's expansion to derive a multilevel circuit that has a lower cost and give the cost of your circuit.
- 4.12** Use multiplexers to implement the circuit for stage 0 of the carry-lookahead adder in Figure 3.15 (included in the right-most shaded area).
- \*4.13** Derive minimal sum-of-products expressions for the outputs  $a$ ,  $b$ , and  $c$  of the 7-segment display in Figure 4.21.
- 4.14** Derive minimal sum-of-products expressions for the outputs  $d$ ,  $e$ ,  $f$ , and  $g$  of the 7-segment display in Figure 4.21.
- 4.15** For the function,  $f$ , in Example 4.26 perform Shannon's expansion with respect to variables  $w_1$  and  $w_2$ , rather than  $w_1$  and  $w_4$ . How does the resulting circuit compare with the circuit in Figure 4.46?
- 4.16** Consider the multiplexer-based circuit illustrated in Figure P4.1. Show how the function  $f = w_2\bar{w}_3 + w_1w_3 + \bar{w}_2w_3$  can be implemented using only one instance of this circuit.



**Figure P4.1** A multiplexer-based circuit.

- 4.17** Show how the function  $f = w_1\bar{w}_3 + \bar{w}_1w_3 + w_2\bar{w}_3 + w_1\bar{w}_2$  can be realized using one or more instances of the circuit in Figure P4.1. Note that there are no NOT gates in the circuit; hence complements of signals have to be generated using the multiplexers in the logic block.
- \*4.18** Consider the Verilog code in Figure P4.2. What type of circuit does the code represent? Comment on whether or not the style of code used is a good choice for the circuit that it represents.

```

module problem4_18 (W, En, y0, y1, y2, y3);
  input [1:0] W;
  input En;
  output reg y0, y1, y2, y3;

  always @(W, En)
  begin
    y0 = 0;
    y1 = 0;
    y2 = 0;
    y3 = 0;
    if (En)
      if (W == 0) y0 = 1;
      else if (W == 1) y1 = 1;
      else if (W == 2) y2 = 1;
      else y3 = 1;
  end

endmodule

```

**Figure P4.2** Code for Problem 4.18.

- 4.19** Write Verilog code that represents the function in Problem 4.2, using a **case** statement.
- 4.20** Write Verilog code for a 4-to-2 binary encoder.
- 4.21** Write Verilog code for an 8-to-3 binary encoder.
- 4.22** Figure P4.3 shows a modified version of the code for a 2-to-4 decoder in Figure 4.37. This code is almost correct but contains one error. What is the error?

```

module dec2to4 (W, En, Y);
    input [1:0] W;
    input En;
    output reg [0:3] Y;
    integer k;

    always @(W, En)
        for (k = 0; k <= 3; k = k+1)
            if (W == k)
                Y[k] = En;

endmodule

```

**Figure P4.3** Code for Problem 4.22.

- 4.23** Derive the circuit for an 8-to-3 priority encoder.
- 4.24** Using a **casex** statement, write Verilog code for an 8-to-3 priority encoder.
- 4.25** Repeat Problem 4.24, using a **for** loop.
- 4.26** Create a Verilog module named *if2to4* that represents a 2-to-4 binary decoder using an **if-else** statement. Create a second module named *h3to8* that represents the 3-to-8 binary decoder in Figure 4.15 using two instances of the *if2to4* module.
- 4.27** Create a Verilog module named *h6to64* that represents a 6-to-64 binary decoder. Use the treelike structure in Figure 4.16, in which the 6-to-64 decoder is built using nine instances of the *h3to8* decoder created in Problem 4.26.
- 4.28** Write Verilog code that represents the circuit in Figure 4.17. Use the *dec2to4* module in Figure 4.31 as a subcircuit in your code.
- 4.29** Design a shifter circuit, similar to the one in Figure 4.50, which can shift a four-bit input vector,  $W = w_3w_2w_1w_0$ , one bit-position to the right when the control signal *Right* is equal to 1, and one bit-position to the left when the control signal *Left* is equal to 1. When  $Right = Left = 0$ , the output of the circuit should be the same as the input vector. Assume that the condition  $Right = Left = 1$  will never occur.
- 4.30** Design a circuit that can multiply an eight-bit number,  $A = a_7, \dots, a_0$ , by 1, 2, 3 or 4 to produce the result  $A, 2A, 3A$  or  $4A$ , respectively.

- 4.31** Write Verilog code that implements the task in Problem 4.30.
- 4.32** Figure 4.47 depicts the relationship between the binary and Gray codes. Design a circuit that can convert Gray code into binary code.
- 4.33** Example 4.35 and Figure 4.56 show how a circuit that generates an ASCII byte suitable for sending over a communications link may be defined. Write Verilog code for its counterpart at the receiving end, where byte  $Y$  (which includes the parity bit) has to be converted into byte  $X$  in which the bit  $x_7$  has to be 0. An *error* signal has to be produced, which is set to 0 or 1 depending on whether the parity check indicates correct or erroneous transmission, respectively.

---

## REFERENCES

1. C. E. Shannon, "Symbolic Analysis of Relay and Switching Circuits," *Transactions AIEE* 57 (1938), pp. 713–723.
2. D. A. Thomas and P. R. Moorby, *The Verilog Hardware Description Language*, 5th ed., (Kluwer: Norwell, MA, 2002).
3. Z. Navabi, *Verilog Digital System Design*, 2nd ed., (McGraw-Hill: New York, 2006).
4. S. Palnitkar, *Verilog HDL—A Guide to Digital Design and Synthesis*, 2nd ed., (Prentice-Hall: Upper Saddle River, NJ, 2003).
5. D. R. Smith and P. D. Franzon, *Verilog Styles for Synthesis of Digital Systems*, (Prentice-Hall: Upper Saddle River, NJ, 2000).
6. J. Bhasker, *Verilog HDL Synthesis—A Practical Primer*, (Star Galaxy Publishing: Allentown, PA, 1998).
7. D. J. Smith, *HDL Chip Design*, (Doone Publications: Madison, AL, 1996).
8. S. Sutherland, *Verilog 2001—A Guide to the New Features of the Verilog Hardware Description Language*, (Kluwer: Hingham, MA, 2001).

# FLIP-FLOPS, REGISTERS, AND COUNTERS

## CHAPTER OBJECTIVES

In this chapter you will learn about:

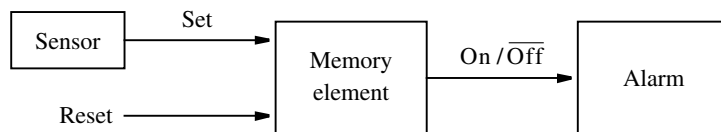
- Logic circuits that can store information
- Flip-flops, which store a single bit
- Registers, which store multiple bits
- Shift registers, which shift the contents of the register
- Counters of various types
- Verilog constructs used to implement storage elements



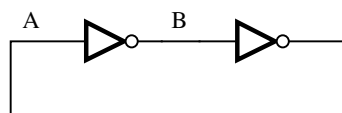
In previous chapters we considered combinational circuits where the value of each output depends solely on the values of signals applied to the inputs. There exists another class of logic circuits in which the values of the outputs depend not only on the present values of the inputs but also on the past behavior of the circuit. Such circuits include storage elements that store the values of logic signals. The contents of the storage elements are said to represent the *state* of the circuit. When the circuit's inputs change values, the new input values either leave the circuit in the same state or cause it to change into a new state. Over time the circuit changes through a sequence of states as a result of changes in the inputs. Circuits that behave in this way are referred to as *sequential circuits*.

In this chapter we will introduce circuits that can be used as storage elements. But first, we will motivate the need for such circuits by means of a simple example. Suppose that we wish to control an alarm system, as shown in Figure 5.1. The alarm mechanism responds to the control input  $On/\overline{Off}$ . It is turned on when  $On/\overline{Off} = 1$ , and it is off when  $On/\overline{Off} = 0$ . The desired operation is that the alarm turns on when the sensor generates a positive voltage signal, *Set*, in response to some undesirable event. Once the alarm is triggered, it must remain active even if the sensor output goes back to zero. The alarm is turned off manually by means of a *Reset* input. The circuit requires a memory element to remember that the alarm has to be active until the *Reset* signal arrives.

Figure 5.2 gives a rudimentary memory element, consisting of a loop that has two inverters. If we assume that  $A = 0$ , then  $B = 1$ . The circuit will maintain these values indefinitely because of the feedback loop. We say that the circuit is in the *state* defined by these values. If we assume that  $A = 1$ , then  $B = 0$ , and the circuit will remain in this second state indefinitely. Thus the circuit has two possible states. This circuit is not useful, because it lacks some practical means for changing its state. Useful circuits that exhibit such memory behavior can be constructed with logic gates.



**Figure 5.1** Control of an alarm system.

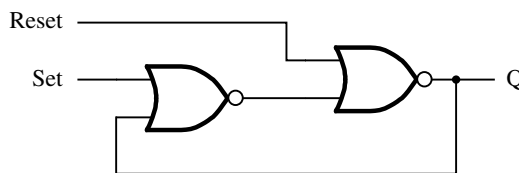


**Figure 5.2** A simple memory element.

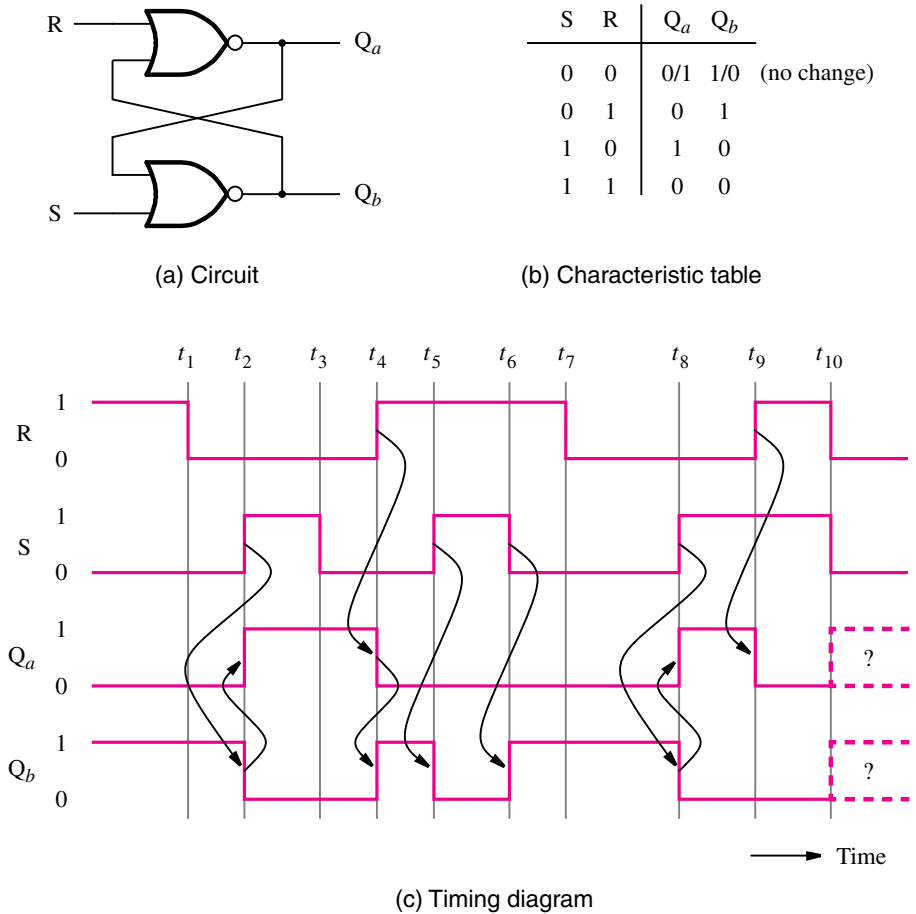
## 5.1 BASIC LATCH

Figure 5.3 presents a memory element built with NOR gates. Its inputs, *Set* and *Reset*, provide the means for changing the state, *Q*, of the circuit. A more usual way of drawing this circuit is given in Figure 5.4a, where the two NOR gates are said to be connected in cross-coupled style. The circuit is referred to as a *basic latch*. Its behavior is described by the table in Figure 5.4b. When both inputs, *R* and *S*, are equal to 0 the latch maintains its existing state because of the feedback loop. This state may be either  $Q_a = 0$  and  $Q_b = 1$ , or  $Q_a = 1$  and  $Q_b = 0$ , which is indicated in the table by stating that the  $Q_a$  and  $Q_b$  outputs have values 0/1 and 1/0, respectively. Observe that  $Q_a$  and  $Q_b$  are complements of each other in this case. When  $R = 1$  and  $S = 0$ , the latch is *reset* into a state where  $Q_a = 0$  and  $Q_b = 1$ . When  $R = 0$  and  $S = 1$ , the latch is *set* into a state where  $Q_a = 1$  and  $Q_b = 0$ . The fourth possibility is to have  $R = S = 1$ . In this case both  $Q_a$  and  $Q_b$  will be 0. The table in Figure 5.4b resembles a truth table. However, since it does not represent a combinational circuit in which the values of the outputs are determined solely by the current values of the inputs, it is often called a *characteristic table* rather than a truth table.

Figure 5.4c gives a timing diagram for the latch, assuming that the propagation delay through the NOR gates is negligible. Of course, in a real circuit the changes in the waveforms would be delayed according to the propagation delays of the gates. We assume that initially  $Q_a = 0$  and  $Q_b = 1$ . The state of the latch remains unchanged until time  $t_2$ , when  $S$  becomes equal to 1, causing  $Q_b$  to change to 0, which in turn causes  $Q_a$  to change to 1 because  $\overline{R + Q_b} = 1$ . The causality relationship is indicated by the arrows in the diagram. When  $S$  goes to 0 at  $t_3$ , there is no change in the state because both  $S$  and  $R$  are then equal to 0. At  $t_4$  we have  $R = 1$ , which causes  $Q_a$  to go to 0, which in turn causes  $Q_b$  to go to 1 because  $\overline{S + Q_a} = 1$ . At  $t_5$  both  $S$  and  $R$  are equal to 1, which forces both  $Q_a$  and  $Q_b$  to be equal to 0. As soon as  $S$  returns to 0, at  $t_6$ ,  $Q_b$  becomes equal to 1 again. At  $t_8$  we have  $S = 1$  and  $R = 0$ , which causes  $Q_b = 0$  and  $Q_a = 1$ . An interesting situation occurs at  $t_{10}$ . From  $t_9$  to  $t_{10}$  we have  $Q_a = Q_b = 0$  because  $R = S = 1$ . Now if both  $R$  and  $S$  change to 0 at  $t_{10}$ , both  $Q_a$  and  $Q_b$  will go to 1. But having both  $Q_a$  and  $Q_b$  equal to 1 will immediately force  $Q_a = Q_b = 0$ . There will be an oscillation between  $Q_a = Q_b = 0$  and  $Q_a = Q_b = 1$ . If the delays through the two NOR gates are exactly the same, the oscillation will continue indefinitely. In a real circuit there will invariably be some difference in the delays through these gates, and the latch will eventually settle into one of its two stable states, but we don't know which state it will be. This uncertainty is indicated in the waveforms by dashed lines.



**Figure 5.3** A memory element with NOR gates.



**Figure 5.4** A basic latch built with NOR gates.

The oscillations discussed above illustrate that even though the basic latch is a simple circuit, careful analysis has to be done to fully appreciate its behavior. In general, any circuit that contains one or more feedback paths, such that the state of the circuit depends on the propagation delays through logic gates, has to be designed carefully. We discuss timing issues in Section 5.15 and in Chapter 9.

The latch in Figure 5.4a can perform the functions needed for the memory element in Figure 5.1, by connecting the *Set* signal to the *S* input and *Reset* to the *R* input. The  $Q_a$  output provides the desired *On/Off* signal. To initialize the operation of the alarm system, the latch is reset. Thus the alarm is off. When the sensor generates the logic value 1, the latch is set and  $Q_a$  becomes equal to 1. This turns on the alarm mechanism. If the sensor output returns to 0, the latch retains its state where  $Q_a = 1$ ; hence the alarm remains turned

on. The only way to turn off the alarm is by resetting the latch, which is accomplished by making the *Reset* input equal to 1.

---

## 5.2 GATED SR LATCH

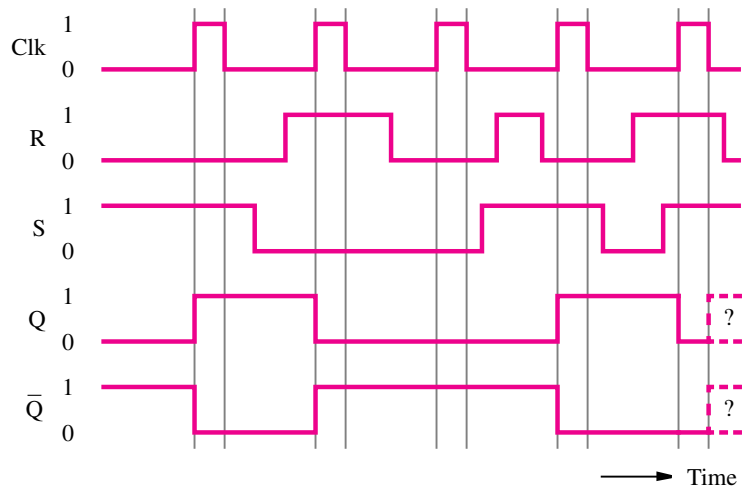
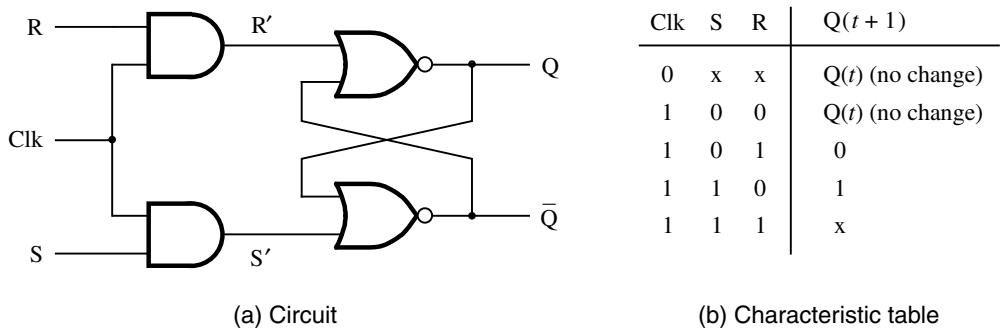
In Section 5.1 we saw that the basic SR latch can serve as a useful memory element. It remembers its state when both the  $S$  and  $R$  inputs are 0. It changes its state in response to changes in the signals on these inputs. The state changes occur at the time when the changes in the signals occur. If we cannot control the time of such changes, then we don't know when the latch may change its state.

In the alarm system of Figure 5.1, it may be desirable to be able to enable or disable the entire system by means of a control input, *Enable*. Thus when enabled, the system would function as described above. In the disabled mode, changing the *Set* input from 0 to 1 would not cause the alarm to turn on. The latch in Figure 5.4a cannot provide the desired operation. But the latch circuit can be modified to respond to the input signals  $S$  and  $R$  only when  $Enable = 1$ . Otherwise, it would maintain its state.

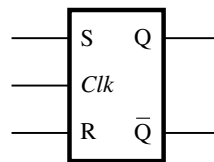
The modified circuit is depicted in Figure 5.5a. It includes two AND gates that provide the desired control. When the control signal  $Clk$  is equal to 0, the  $S'$  and  $R'$  inputs to the latch will be 0, regardless of the values of signals  $S$  and  $R$ . Hence the latch will maintain its existing state as long as  $Clk = 0$ . When  $Clk$  changes to 1, the  $S'$  and  $R'$  signals will be the same as the  $S$  and  $R$  signals, respectively. Therefore, in this mode the latch will behave as we described in Section 5.1. Note that we have used the name  $Clk$  for the control signal that allows the latch to be set or reset, rather than call it the *Enable* signal. The reason is that such circuits are often used in digital systems where it is desirable to allow the changes in the states of memory elements to occur only at well-defined time intervals, as if they were controlled by a clock. The control signal that defines these time intervals is usually called the *clock* signal. The name  $Clk$  is meant to reflect this nature of the signal.

Circuits of this type, which use a control signal, are called *gated latches*. Because our circuit exhibits set and reset capability, it is called a *gated SR latch*. Figure 5.5b describes its behavior. It defines the state of the Q output at time  $t + 1$ , namely,  $Q(t + 1)$ , as a function of the inputs  $S$ ,  $R$ , and  $Clk$ . When  $Clk = 0$ , the latch will remain in the state it is in at time  $t$ , that is,  $Q(t)$ , regardless of the values of inputs  $S$  and  $R$ . This is indicated by specifying  $S = x$  and  $R = x$ , where  $x$  means that it does not matter if the signal value is 0 or 1. When  $Clk = 1$ , the circuit behaves as the basic latch in Figure 5.4. It is set by  $S = 1$  and reset by  $R = 1$ . The last row of the table, where  $S = R = 1$ , shows that the state  $Q(t + 1)$  is undefined because we don't know whether it will be 0 or 1. This corresponds to the situation described in Section 5.1 in conjunction with the timing diagram in Figure 5.4 at time  $t_{10}$ . At this time both  $S$  and  $R$  inputs go from 1 to 0, which causes the oscillatory behavior that we discussed. If  $S = R = 1$ , this situation will occur as soon as  $Clk$  goes from 1 to 0. To ensure a meaningful operation of the gated SR latch, it is essential to avoid the possibility of having both the  $S$  and  $R$  inputs equal to 1 when  $Clk$  changes from 1 to 0.

A timing diagram for the gated SR latch is given in Figure 5.5c. It shows  $Clk$  as a periodic signal that is equal to 1 at regular time intervals to suggest that this is how the

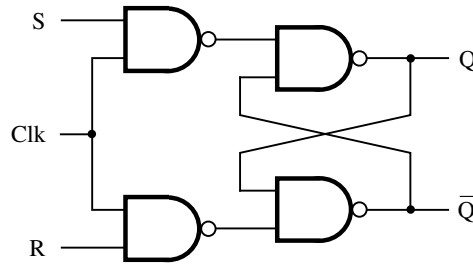


(c) Timing diagram



(d) Graphical symbol

**Figure 5.5** Gated SR latch.



**Figure 5.6** Gated SR latch with NAND gates.

clock signal usually appears in a real system. The diagram presents the effect of several combinations of signal values. Observe that we have labeled one output as  $Q$  and the other as its complement  $\bar{Q}$ , rather than  $Q_a$  and  $Q_b$  as in Figure 5.4. Since the undefined mode, where  $S = R = 1$ , must be avoided in practice, the normal operation of the latch will have the outputs as complements of each other. Moreover, we will often say that the latch is *set* when  $Q = 1$ , and it is *reset* when  $Q = 0$ . A graphical symbol for the gated SR latch is given in Figure 5.5d.

### 5.2.1 GATED SR LATCH WITH NAND GATES

So far we have implemented the basic latch with cross-coupled NOR gates. We can also construct the latch with NAND gates. Using this approach, we can implement the gated SR latch as depicted in Figure 5.6. The behavior of this circuit is described by the table in Figure 5.5b. Note that in this circuit, the clock is gated by NAND gates, rather than by AND gates. Note also that the  $S$  and  $R$  inputs are reversed in comparison with the circuit in Figure 5.5a.

---

## 5.3 GATED D LATCH

In Section 5.2 we presented the gated SR latch and showed how it can be used as the memory element in the alarm system of Figure 5.1. This latch is useful for many other applications. In this section we describe another gated latch that is even more useful in practice. It has a single data input, called  $D$ , and it stores the value on this input, under the control of a clock signal. It is called a *gated D latch*.

To motivate the need for a gated D latch, consider the adder/subtractor unit discussed in Chapter 3 (Figure 3.12). When we described how that circuit is used to add numbers, we did not discuss what is likely to happen with the sum bits that are produced by the adder. Adder/subtractor units are often used as part of a computer. The result of an addition or subtraction operation is often used as an operand in a subsequent operation. Therefore, it is necessary to be able to remember the values of the sum bits generated by the adder until

they are needed again. We might think of using the basic latches to remember these bits, one bit per latch. In this context, instead of saying that a latch remembers the value of a bit, it is more illuminating to say that the latch *stores* the value of the bit or simply “stores the bit.” We should think of the latch as a storage element.

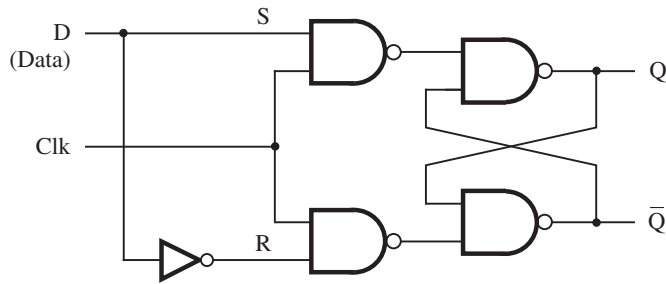
But can we obtain the desired operation using the basic latches? We can certainly reset all latches before the addition operation begins. Then we would expect that by connecting a sum bit to the  $S$  input of a latch, the latch would be set to 1 if the sum bit has the value 1; otherwise, the latch would remain in the 0 state. This would work fine if all sum bits are 0 at the start of the addition operation and, after some propagation delay through the adder, some of these bits become equal to 1 to give the desired sum. Unfortunately, the propagation delays that exist in the adder circuit cause a big problem in this arrangement. Suppose that we use a ripple-carry adder. When the  $X$  and  $Y$  inputs are applied to the adder, the sum outputs may alternate between 0 and 1 a number of times as the carries ripple through the circuit. The problem is that if we connect a sum bit to the  $S$  input of a latch, then if the sum bit is temporarily a 1 and then settles to 0 in the final result, the latch will remain set to 1 erroneously.

The problem caused by the alternating values of the sum bits in the adder could be solved by using the gated SR latches, instead of the basic latches. Then we could arrange that the clock signal is 0 during the time needed by the adder to produce a correct sum. After allowing for the maximum propagation delay in the adder circuit, the clock should go to 1 to store the values of the sum bits in the gated latches. As soon as the values have been stored, the clock can return to 0, which ensures that the stored values will be retained until the next time the clock goes to 1. To achieve the desired operation, we would also have to reset all latches to 0 prior to loading the sum-bit values into these latches. This is an awkward way of dealing with the problem, and it is preferable to use the gated D latches instead.

Figure 5.7a shows the circuit for a gated D latch. It is based on the gated SR latch, but instead of using the  $S$  and  $R$  inputs separately, it has just one data input,  $D$ . For convenience we have labeled the points in the circuit that are equivalent to the  $S$  and  $R$  inputs. If  $D = 1$ , then  $S = 1$  and  $R = 0$ , which forces the latch into the state  $Q = 1$ . If  $D = 0$ , then  $S = 0$  and  $R = 1$ , which causes  $Q = 0$ . Of course, the changes in state occur only when  $Clk = 1$ .

In this circuit it is impossible to have the troublesome situation where  $S = R = 1$ . In the gated D latch, the output  $Q$  merely tracks the value of the input  $D$  while  $Clk = 1$ . As soon as  $Clk$  goes to 0, the state of the latch is frozen until the next time the clock signal goes to 1. Therefore, the gated D latch stores the value of the  $D$  input seen at the time the clock changes from 1 to 0. Figure 5.7 also gives the characteristic table, the graphical symbol, and a timing diagram for the gated D latch.

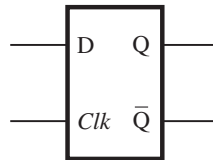
The timing diagram illustrates what happens if the  $D$  signal changes while  $Clk = 1$ . During the third clock pulse, starting at  $t_3$ , the output  $Q$  changes to 1 because  $D = 1$ . But midway through the pulse  $D$  goes to 0, which causes  $Q$  to go to 0. This value of  $Q$  is stored when  $Clk$  changes to 0. Now no further change in the state of the latch occurs until the next clock pulse, at  $t_4$ . The key point to observe is that as long as the clock has the value 1, the  $Q$  output follows the  $D$  input. But when the clock has the value 0, the  $Q$  output cannot change. The logic values are implemented as low and high voltage levels, as explained in detail in Appendix B. Since the output of the gated D latch is controlled by the level of the clock input, the latch is said to be *level sensitive*. The circuits in Figures 5.5 through 5.7 are



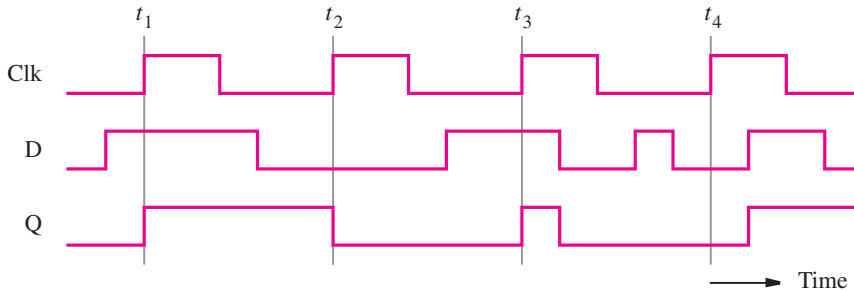
(a) Circuit

Clk	D	$Q(t+1)$
0	x	$Q(t)$
1	0	0
1	1	1

(b) Characteristic table



(c) Graphical symbol



(d) Timing diagram

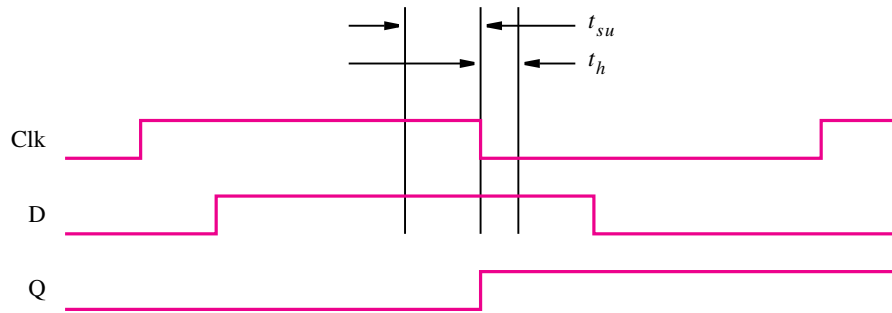
**Figure 5.7** Gated D latch.

level sensitive. We will show in Section 5.4 that it is possible to design storage elements for which the output changes only at the point in time when the clock changes from one value to the other. Such circuits are said to be *edge triggered*.

### 5.3.1 EFFECTS OF PROPAGATION DELAYS

In the previous discussion we ignored the effects of propagation delays. In practical circuits it is essential to take these delays into account. Consider the gated D latch in Figure 5.7a. It stores the value of the  $D$  input that is present at the time the clock signal changes from 1 to 0. It operates properly if the  $D$  signal is stable (that is, not changing) at the time  $Clk$





**Figure 5.8** Setup and hold times.

goes from 1 to 0. But it may lead to unpredictable results if the  $D$  signal also changes at this time. Therefore, the designer of a logic circuit that generates the  $D$  signal must ensure that this signal is stable when the critical change in the clock signal takes place.

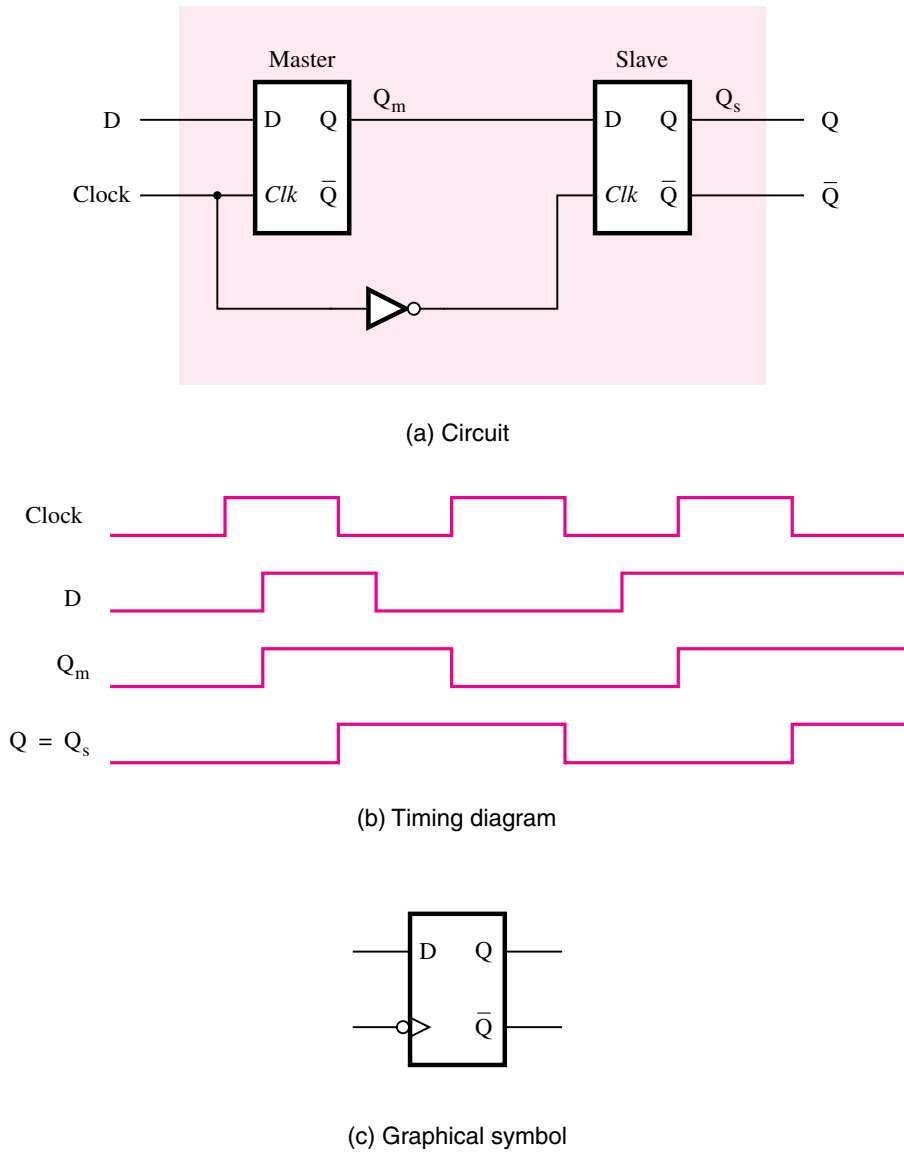
Figure 5.8 illustrates the critical timing region. The minimum time that the  $D$  signal must be stable prior to the negative edge of the  $Clk$  signal is called the *setup time*,  $t_{su}$ , of the latch. The minimum time that the  $D$  signal must remain stable after the negative edge of the  $Clk$  signal is called the *hold time*,  $t_h$ , of the latch. The values of  $t_{su}$  and  $t_h$  depend on the technology used. Manufacturers of integrated circuit chips provide this information on the data sheets that describe their chips. Typical values for a modern technology may be  $t_{su} = 0.3$  ns and  $t_h = 0.2$  ns. We will give examples of how setup and hold times affect the speed of operation of circuits in Section 5.15. The behavior of storage elements when setup or hold times are violated is discussed in Chapter 7.

## 5.4 EDGE-TRIGGERED D FLIP-FLOPS

In the level-sensitive latches, the state of the latch keeps changing according to the values of input signals during the period when the clock signal is active (equal to 1 in our examples). As we will see in Sections 5.8 and 5.9, there is also a need for storage elements that can change their states no more than once during one clock cycle. We will now discuss circuits that exhibit such behavior.

### 5.4.1 MASTER-SLAVE D FLIP-FLOP

Consider the circuit given in Figure 5.9a, which consists of two gated D latches. The first, called *master*, changes its state while  $Clock = 1$ . The second, called *slave*, changes its state while  $Clock = 0$ . The operation of the circuit is such that when the clock is high, the master tracks the value of the  $D$  input signal and the slave does not change. Thus the value of  $Q_m$  follows any changes in  $D$ , and the value of  $Q_s$  remains constant. When the clock signal



**Figure 5.9** Master-slave D flip-flop.

changes to 0, the master stage stops following the changes in the  $D$  input. At the same time, the slave stage responds to the value of the signal  $Q_m$  and changes state accordingly. Since  $Q_m$  does not change while  $Clock = 0$ , the slave stage can undergo at most one change of state during a clock cycle. From the external observer's point of view, namely, the circuit connected to the output of the slave stage, the master-slave circuit changes its state at the negative-going edge of the clock. The *negative edge* is the edge where the clock signal

changes from 1 to 0. Regardless of the number of changes in the  $D$  input to the master stage during one clock cycle, the observer of the  $Q_s$  signal will see only the change that corresponds to the  $D$  input at the negative edge of the clock.

The circuit in Figure 5.9 is called a *master-slave D flip-flop*. The term *flip-flop* denotes a storage element that changes its output state at the edge of a controlling clock signal. The timing diagram for this flip-flop is shown in Figure 5.9b. A graphical symbol is given in Figure 5.9c. In the symbol we use the  $>$  mark to denote that the flip-flop responds to the “active edge” of the clock. We place a bubble on the clock input to indicate that the active edge for this particular circuit is the negative edge.

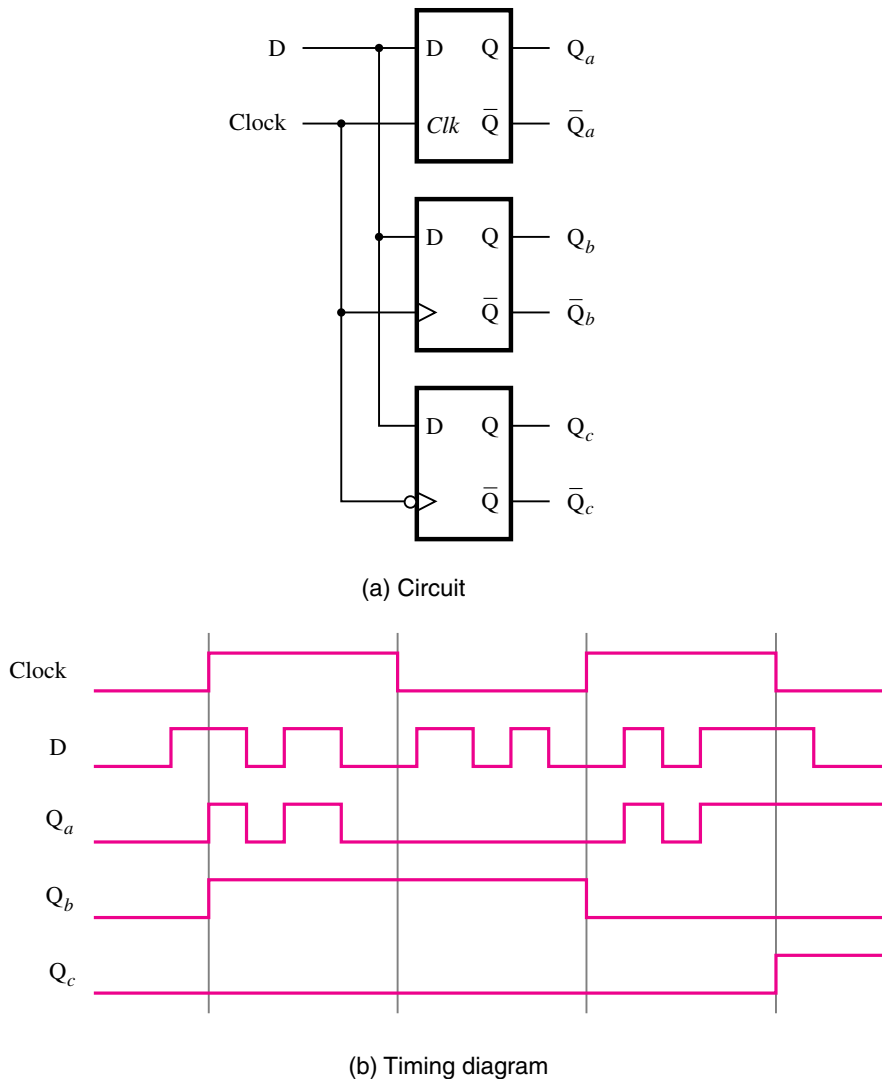
We can augment the circuit in Figure 5.9a by reversing the connections of the clock signal to the master and slave stages. That is, include an inverter in the clock input to the master stage and connect the uncomplemented clock signal to the slave stage. Now, the state of the master stage will be transferred into the slave stage when the clock signal changes from 0 to 1. This circuit behaves as a *positive-edge-triggered master-slave D flip-flop*. It can be represented by the graphical symbol in Figure 5.9c where the bubble on the clock input is removed.

### Level-Sensitive versus Edge-Triggered Storage Elements

At this point it is useful to compare the timing in the various storage elements that we have discussed. Figure 5.10 shows three different types of storage elements that are driven by the same data and clock inputs. The first element is a gated D latch, which is level sensitive. The second one is a positive-edge-triggered D flip-flop, and the third one is a negative-edge-triggered D flip-flop. To accentuate the differences between these storage elements, the  $D$  input changes its values more than once during each half of the clock cycle. Observe that the gated D latch follows the  $D$  input as long as the clock is high. The positive-edge-triggered flip-flop responds only to the value of  $D$  when the clock changes from 0 to 1. The negative-edge-triggered flip-flop responds only to the value of  $D$  when the clock changes from 1 to 0.

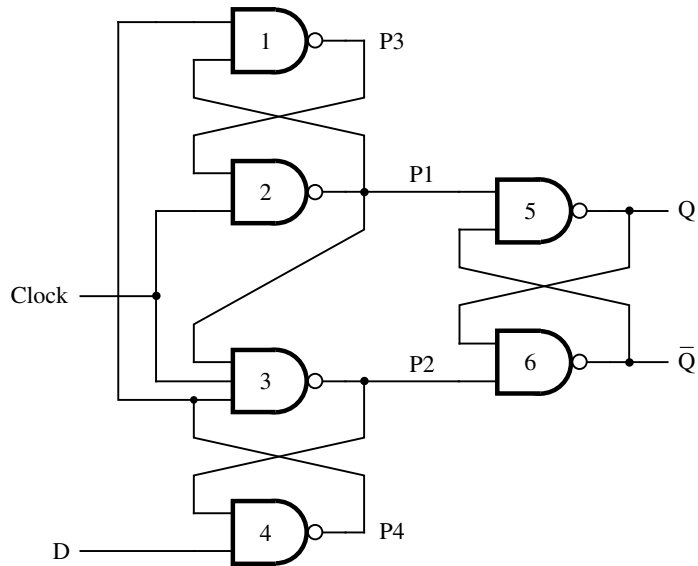
## 5.4.2 OTHER TYPES OF EDGE-TRIGGERED D FLIP-FLOPS

Master-slave flip-flops illustrate the concept of edge triggering very clearly. Other circuits have been used to accomplish the same task. Consider the circuit presented in Figure 5.11a. It requires only six NAND gates and, hence, fewer transistors than the master-slave circuit. The operation of the circuit is as follows. When  $Clock = 0$ , the outputs of gates 2 and 3 are high. Thus  $P1 = P2 = 1$ , which maintains the output latch, comprising gates 5 and 6, in its present state. At the same time, the signal  $P3$  is equal to  $D$ , and  $P4$  is equal to its complement  $\bar{D}$ . When  $Clock$  changes to 1, the following changes take place. The values of  $P3$  and  $P4$  are transmitted through gates 2 and 3 to cause  $P1 = \bar{D}$  and  $P2 = D$ , which sets  $Q = D$  and  $\bar{Q} = \bar{D}$ . To operate reliably,  $P3$  and  $P4$  must be stable when  $Clock$  changes from 0 to 1. Hence the setup time of the flip-flop is equal to the delay from the  $D$  input through gates 4 and 1 to  $P3$ . The hold time is given by the delay through gate 3 because once  $P2$  is stable, the changes in  $D$  no longer matter.

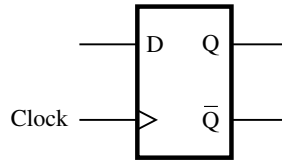


**Figure 5.10** Comparison of level-sensitive and edge-triggered D storage elements.

For proper operation it is necessary to show that after *Clock* changes to 1 any further changes in *D* will not affect the output latch as long as *Clock* = 1. We have to consider two cases. Suppose first that *D* = 0 at the positive edge of the clock. Then  $P2 = 0$ , which will keep the output of gate 4 equal to 1 as long as *Clock* = 1, regardless of the value of the *D* input. The second case is if *D* = 1 at the positive edge of the clock. Then  $P1 = 0$ , which forces the outputs of gates 1 and 3 to be equal to 1, regardless of the *D* input. Therefore, the flip-flop ignores changes in the *D* input while *Clock* = 1.



(a) Circuit



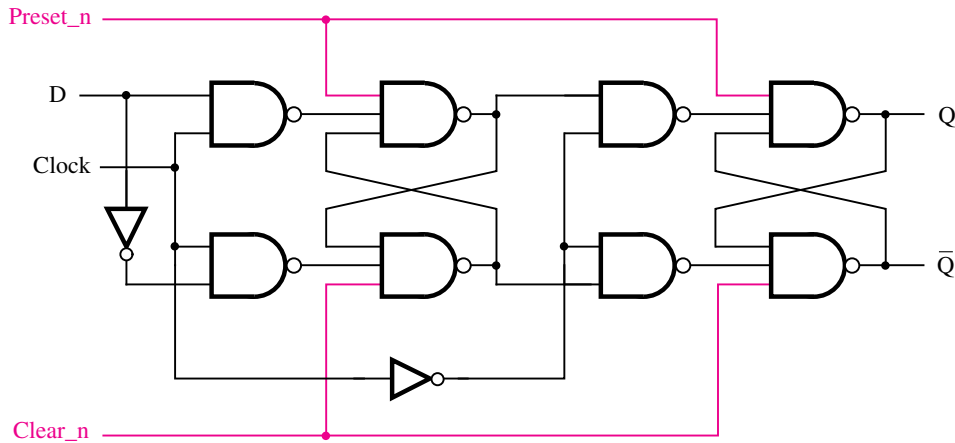
(b) Graphical symbol

**Figure 5.11** A positive-edge-triggered D flip-flop.

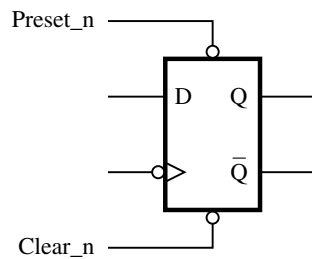
This circuit behaves as a positive-edge-triggered D flip-flop. A similar circuit, constructed with NOR gates, can be used as a negative-edge-triggered flip-flop.

### 5.4.3 D FLIP-FLOPS WITH CLEAR AND PRESET

Flip-flops are often used for implementation of circuits that can have many possible states, where the response of the circuit depends not only on the present values of the circuit's inputs but also on the particular state that the circuit is in at that time. We will discuss a general form of such circuits in Chapter 6. A simple example is a counter circuit that counts the number of occurrences of some event, perhaps passage of time. We will discuss counters in detail in Section 5.9. A counter comprises a number of flip-flops, whose outputs are interpreted as a number. The counter circuit has to be able to increment or decrement the number. It is also important to be able to force the counter into a known initial state (count).



(a) Circuit



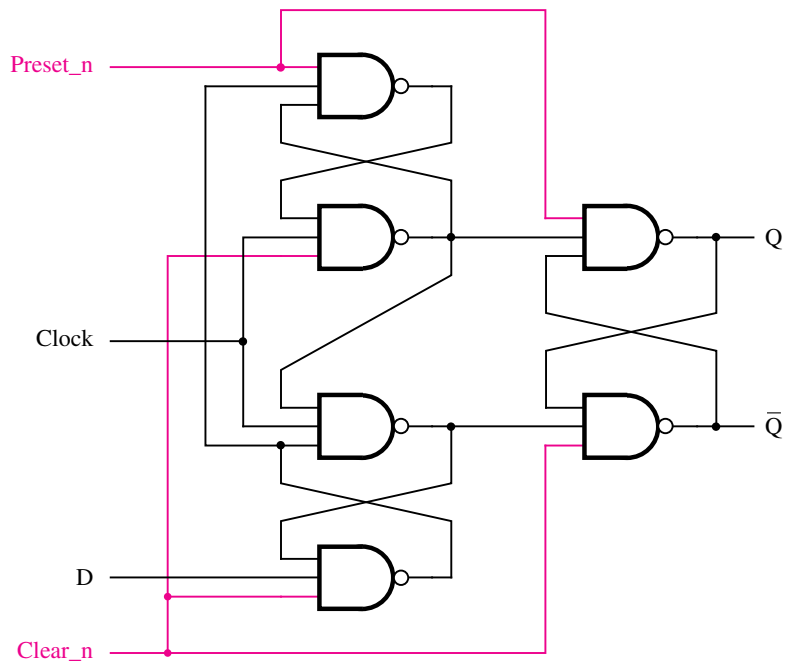
(b) Graphical symbol

**Figure 5.12** Master-slave D flip-flop with *Clear* and *Preset*.

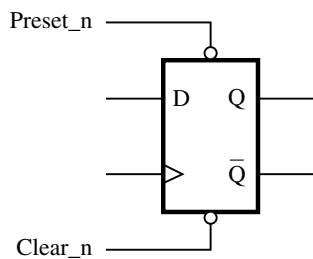
Obviously, it must be possible to clear the count to zero, which means that all flip-flops must have  $Q = 0$ . It is equally useful to be able to preset each flip-flop to  $Q = 1$ , to insert some specific count as the initial value in the counter. These features can be incorporated into the circuits of Figures 5.9 and 5.11 as follows.

Figure 5.12a shows an implementation of the circuit in Figure 5.9a using NAND gates. The master stage is just the gated D latch of Figure 5.7a. Instead of using another latch of the same type for the slave stage, we can use the slightly simpler gated SR latch of Figure 5.6. This eliminates one NOT gate from the circuit.

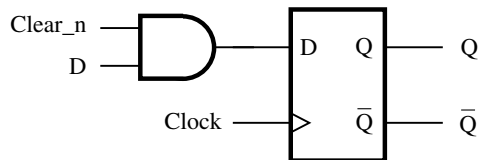
A simple way of providing the clear and preset capability is to add an extra input to each NAND gate in the cross-coupled latches, as indicated in blue. Placing a 0 on the *Clear<sub>n</sub>* input will force the flip-flop into the state  $Q = 0$ . If *Clear<sub>n</sub>* = 1, then this input will have no effect on the NAND gates. Similarly, *Preset<sub>n</sub>* = 0 forces the flip-flop into the state  $Q = 1$ , while *Preset<sub>n</sub>* = 1 has no effect. To denote that the *Clear<sub>n</sub>* and *Preset<sub>n</sub>* inputs are active when their value is 0, we appended the letter *n* (for “negative”) to these names. We should note that the circuit that uses this flip-flop should not try to force both



(a) Circuit



(b) Graphical symbol



(c) Adding a synchronous clear

**Figure 5.13** Positive-edge-triggered D flip-flop with *Clear* and *Preset*.

$Clear_n$  and  $Preset_n$  to 0 at the same time. A graphical symbol for this flip-flop is shown in Figure 5.12b.

A similar modification can be done on the edge-triggered flip-flop of Figure 5.11a, as indicated in Figure 5.13a. Again, both  $Clear_n$  and  $Preset_n$  inputs are active low. They do not disturb the flip-flop when they are equal to 1.

In the circuits in Figures 5.12a and 5.13a, the effect of a low signal on either the  $Clear_n$  or  $Preset_n$  input is immediate. For example, if  $Clear_n = 0$  then the flip-flop goes into

the state  $Q = 0$  immediately, regardless of the value of the clock signal. In such a circuit, where the *Clear\_n* signal is used to clear a flip-flop without regard to the clock signal, we say that the flip-flop has an *asynchronous clear*. In practice, it is often preferable to clear the flip-flops on the active edge of the clock. Such *synchronous clear* can be accomplished as shown in Figure 5.13c. The flip-flop operates normally when the *Clear\_n* input is equal to 1. But if *Clear\_n* goes to 0, then on the next positive edge of the clock the flip-flop will be cleared to 0. We will examine the clearing of flip-flops in more detail in Section 5.10.

#### 5.4.4 FLIP-FLOP TIMING PARAMETERS

In Section 5.3.1 we discussed timing issues related to latch circuits. In practice such issues are equally important for circuits with flip-flops. Figure 5.14a shows a positive-edge triggered flip-flop with asynchronous clear, and part (b) of the figure illustrates some important timing parameters for this flip-flop. Data is loaded into the *D* input of the flip-flop on a positive clock edge, and this logic value must be stable during the setup time,  $t_{su}$ , before the clock edge occurs. The data must remain stable during the hold time,  $t_h$ , after the edge. If the setup or hold requirements are not adhered to in a circuit that uses this flip-flop, then it may enter an unstable condition known as *metastability*; we discuss this concept in Chapter 7.

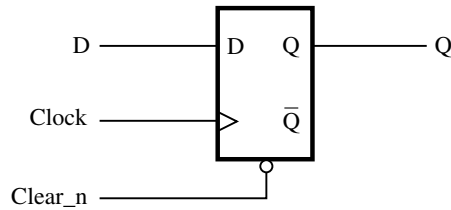
As indicated in Figure 5.14, a clock-to-Q propagation delay,  $t_{cQ}$ , is incurred before the value of *Q* changes after a positive clock edge. In general, the delay may not be exactly the same for the cases when *Q* changes from 1 to 0 or 0 to 1, but we assume for simplicity that these delays are equal. For the flip-flops in a commercial chip, two values are usually specified for  $t_{cQ}$ , representing the maximum and minimum delays that may occur in practice. Specifying a range of values when estimating the delays in a chip is a common practice due to many sources of variation in delay that are caused by the chip manufacturing process. In Section 5.15 we provide some examples that illustrate the effects of flip-flop timing parameters on the operation of circuits.

---

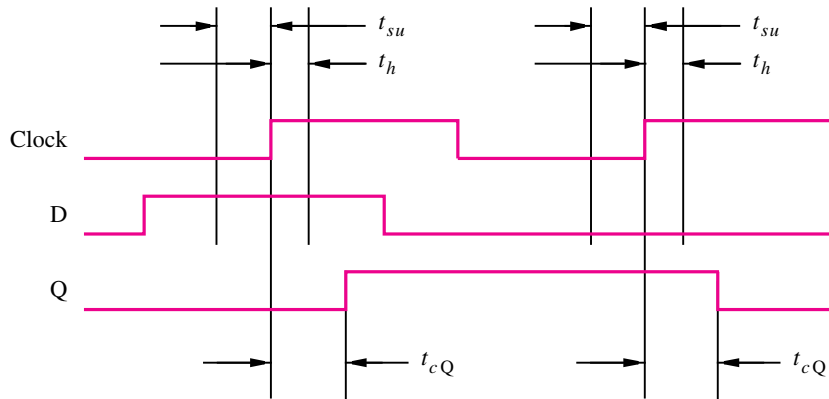
## 5.5 T FLIP-FLOP

The D flip-flop is a versatile storage element that can be used for many purposes. By including some simple logic circuitry to drive its input, the D flip-flop may appear to be a different type of storage element. An interesting modification is presented in Figure 5.15a. This circuit uses a positive-edge-triggered D flip-flop. The *feedback* connections make the input signal *D* equal to either the value of *Q* or  $\bar{Q}$  under the control of the signal that is labeled *T*. On each positive edge of the clock, the flip-flop may change its state  $Q(t)$ . If  $T = 0$ , then  $D = \bar{Q}$  and the state will remain the same, that is,  $Q(t + 1) = Q(t)$ . But if  $T = 1$ , then  $D = Q$  and the new state will be  $Q(t + 1) = \bar{Q}(t)$ . Therefore, the overall operation of the circuit is that it retains its present state if  $T = 0$ , and it reverses its present state if  $T = 1$ .





(a) D flip-flop with asynchronous clear



(b) Timing diagram

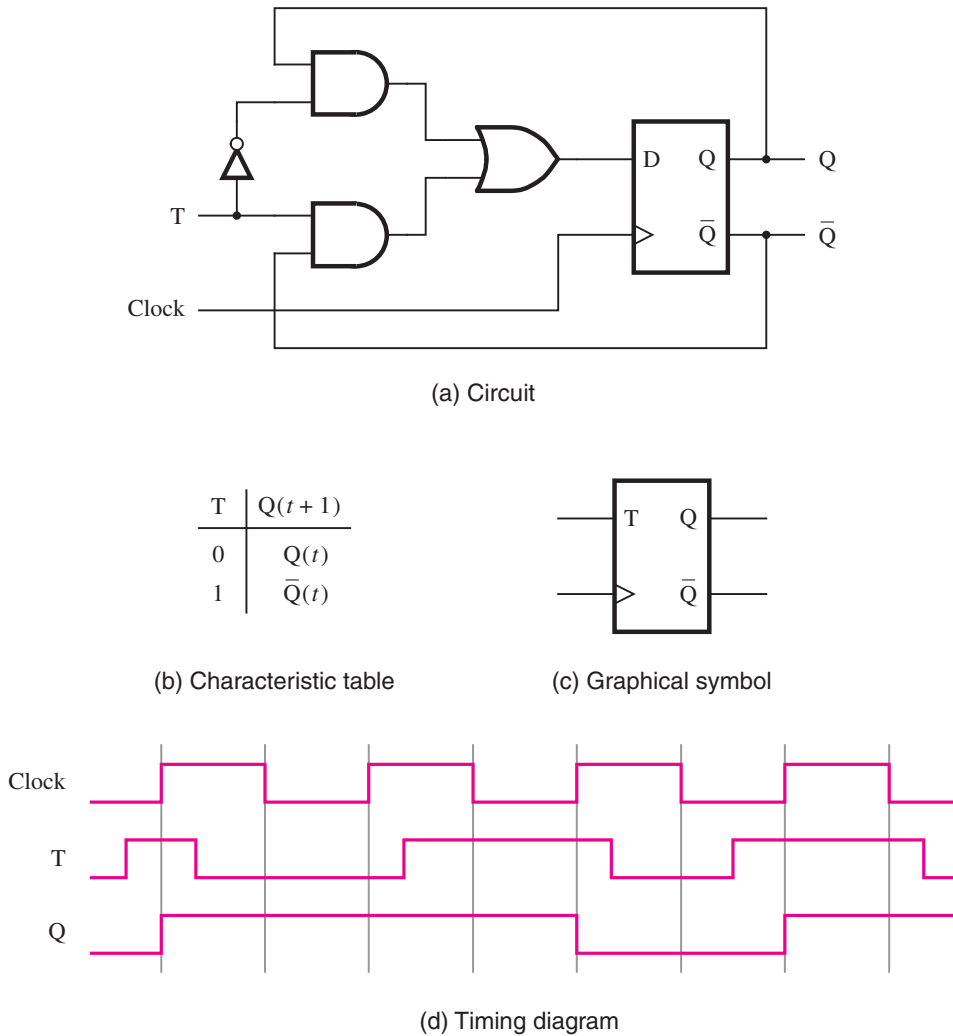
**Figure 5.14** Flip-flop timing parameters.

The operation of the circuit is specified in the form of a characteristic table in Figure 5.15b. Any circuit that implements this table is called a *T flip-flop*. The name T flip-flop derives from the behavior of the circuit, which “toggles” its state when  $T = 1$ . The toggle feature makes the T flip-flop a useful element for building counter circuits, as we will see in Section 5.9.

## 5.6 JK FLIP-FLOP

Another interesting circuit can be derived from Figure 5.15a. Instead of using a single control input,  $T$ , we can use two inputs,  $J$  and  $K$ , as indicated in Figure 5.16a. For this circuit the input  $D$  is defined as

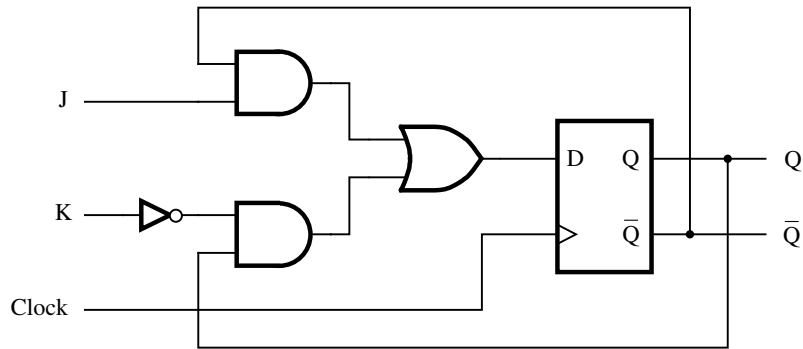
$$D = J\bar{Q} + \bar{K}Q$$



**Figure 5.15** T flip-flop.

A corresponding characteristic table is given in Figure 5.16b. The circuit is called a *JK flip-flop*. It combines the behaviors of SR and T flip-flops in a useful way. It behaves as the SR flip-flop, where  $J = S$  and  $K = R$ , for all input values except  $J = K = 1$ . For the latter case, which has to be avoided in the SR flip-flop, the JK flip-flop toggles its state like the T flip-flop.

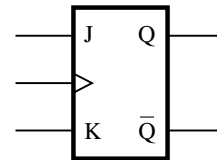
The JK flip-flop is a versatile circuit. It can be used for straight storage purposes, just like the D and SR flip-flops. But it can also serve as a T flip-flop by connecting the  $J$  and  $K$  inputs together.



(a) Circuit

J	K	$Q(t+1)$
0	0	$Q(t)$
0	1	0
1	0	1
1	1	$\bar{Q}(t)$

(b) Characteristic table



(c) Graphical symbol

**Figure 5.16** JK flip-flop.

## 5.7 SUMMARY OF TERMINOLOGY

We have used the terminology that is quite common. But the reader should be aware that different interpretations of the terms *latch* and *flip-flop* can be found in the literature. Our terminology can be summarized as follows:

**Basic latch** is a feedback connection of two NOR gates or two NAND gates, which can store one bit of information. It can be set to 1 using the *S* input and reset to 0 using the *R* input.

**Gated latch** is a basic latch that includes input gating and a control input signal. The latch retains its existing state when the control input is equal to 0. Its state may be changed when the control signal is equal to 1. In our discussion we referred to the control input as the clock. We considered two types of gated latches:

- **Gated SR latch** uses the *S* and *R* inputs to set the latch to 1 or reset it to 0, respectively.
- **Gated D latch** uses the *D* input to force the latch into a state that has the same logic value as the *D* input.

A **flip-flop** is a storage element that can have its output state changed only on the edge of the controlling clock signal. If the state changes when the clock signal goes from 0 to 1, we say that the flip-flop is **positive-edge triggered**. If the state changes when the clock signal goes from 1 to 0, we say that the flip-flop is **negative-edge triggered**.

---

## 5.8 REGISTERS

A flip-flop stores one bit of information. When a set of  $n$  flip-flops is used to store  $n$  bits of information, such as an  $n$ -bit number, we refer to these flip-flops as a *register*. A common clock is used for each flip-flop in a register, and each flip-flop operates as described in the previous sections. The term register is merely a convenience for referring to  $n$ -bit structures consisting of flip-flops.

### 5.8.1 SHIFT REGISTER

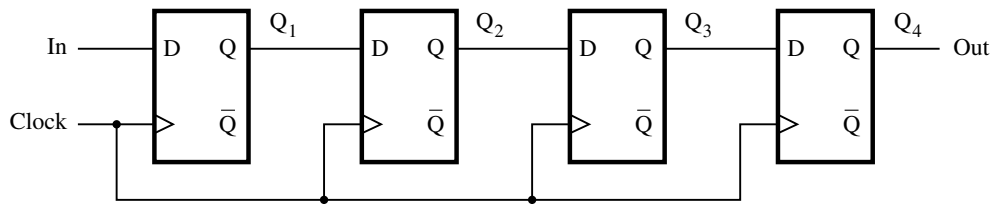
In Section 3.6 we explained that a given number is multiplied by 2 if its bits are shifted one bit position to the left and a 0 is inserted as the new least-significant bit. Similarly, the number is divided by 2 if the bits are shifted one bit-position to the right. A register that provides the ability to shift its contents is called a *shift register*.

Figure 5.17a shows a four-bit shift register that is used to shift its contents one bit-position to the right. The data bits are loaded into the shift register in a serial fashion using the  $In$  input. The contents of each flip-flop are transferred to the next flip-flop at each positive edge of the clock. An illustration of the transfer is given in Figure 5.17b, which shows what happens when the signal values at  $In$  during eight consecutive clock cycles are 1, 0, 1, 1, 1, 0, 0, and 0, assuming that the initial state of all flip-flops is 0.

To implement a shift register it is necessary to use flip-flops. The level-sensitive gated latches are not suitable, because a change in the value of  $In$  would propagate through more than one latch during the time when the clock is equal to 1.

### 5.8.2 PARALLEL-ACCESS SHIFT REGISTER

In computer systems it is often necessary to transfer  $n$ -bit data items. This may be done by transmitting all bits at once using  $n$  separate wires, in which case we say that the transfer is performed in *parallel*. But it is also possible to transfer all bits using a single wire, by performing the transfer one bit at a time, in  $n$  consecutive clock cycles. We refer to this scheme as *serial* transfer. To transfer an  $n$ -bit data item serially, we can use a shift register that can be loaded with all  $n$  bits in parallel (in one clock cycle). Then during the next  $n$  clock cycles, the contents of the register can be shifted out for serial transfer. The reverse operation is also needed. If bits are received serially, then after  $n$  clock cycles the contents of the register can be accessed in parallel as an  $n$ -bit item.



(a) Circuit

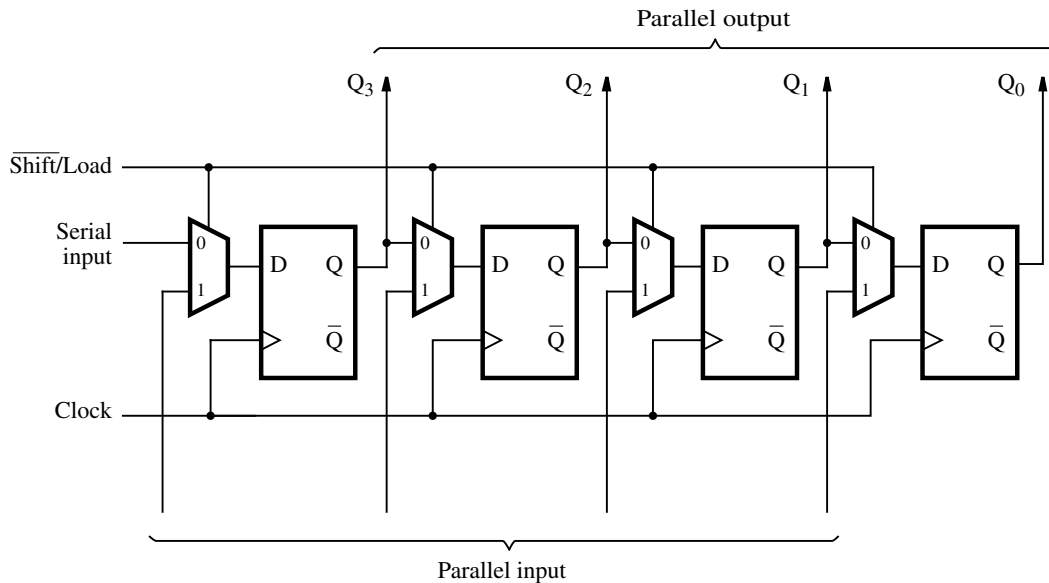
	In	Q <sub>1</sub>	Q <sub>2</sub>	Q <sub>3</sub>	Q <sub>4</sub> = Out
$t_0$	1	0	0	0	0
$t_1$	0	1	0	0	0
$t_2$	1	0	1	0	0
$t_3$	1	1	0	1	0
$t_4$	1	1	1	0	1
$t_5$	0	1	1	1	0
$t_6$	0	0	1	1	1
$t_7$	0	0	0	1	1

(b) A sample sequence

**Figure 5.17** A simple shift register.

Figure 5.18 shows a four-bit shift register that provides the parallel access. A 2-to-1 multiplexer on its  $D$  input allows each flip-flop to be connected to two different sources. One source is the preceding flip-flop, which is needed for the shift-register operation. The other source is the external input that corresponds to the bit that is to be loaded into the flip-flop as a part of the parallel-load operation. The control signal  $\overline{Shift/Load}$  is used to select the mode of operation. If  $\overline{Shift/Load} = 0$ , then the circuit operates as a shift register. If  $\overline{Shift/Load} = 1$ , then the parallel input data are loaded into the register. In both cases the action takes place on the positive edge of the clock.

In Figure 5.18 we have chosen to label the flip-flops' outputs as  $Q_3, \dots, Q_0$  because shift registers are often used to hold binary numbers. The contents of the register can be accessed in parallel by observing the outputs of all flip-flops. The flip-flops can also be accessed serially, by observing the values of  $Q_0$  during consecutive clock cycles while the contents are being shifted. A circuit in which data can be loaded in series and then accessed in parallel is called a series-to-parallel converter. Similarly, the opposite type of circuit is a parallel-to-series converter. The circuit in Figure 5.18 can perform both of these functions.



**Figure 5.18** Parallel-access shift register.

## 5.9 COUNTERS

In Chapter 3 we dealt with circuits that perform arithmetic operations. We showed how adder/subtractor circuits can be designed, either using a simple cascaded (ripple-carry) structure that is inexpensive but slow or using a more complex carry-lookahead structure that is both more expensive and faster. In this section we examine special types of addition and subtraction operations, which are used for the purpose of counting. In particular, we want to design circuits that can increment or decrement a count by 1. Counter circuits are used in digital systems for many purposes. They may count the number of occurrences of certain events, generate timing intervals for control of various tasks in a system, keep track of time elapsed between specific events, and so on.

Counters can be implemented using the adder/subtractor circuits discussed in Chapter 3 and the registers discussed in Section 5.8. However, since we only need to change the contents of a counter by 1, it is not necessary to use such elaborate circuits. Instead, we can use much simpler circuits that have a significantly lower cost. We will show how the counter circuits can be designed using T and D flip-flops.

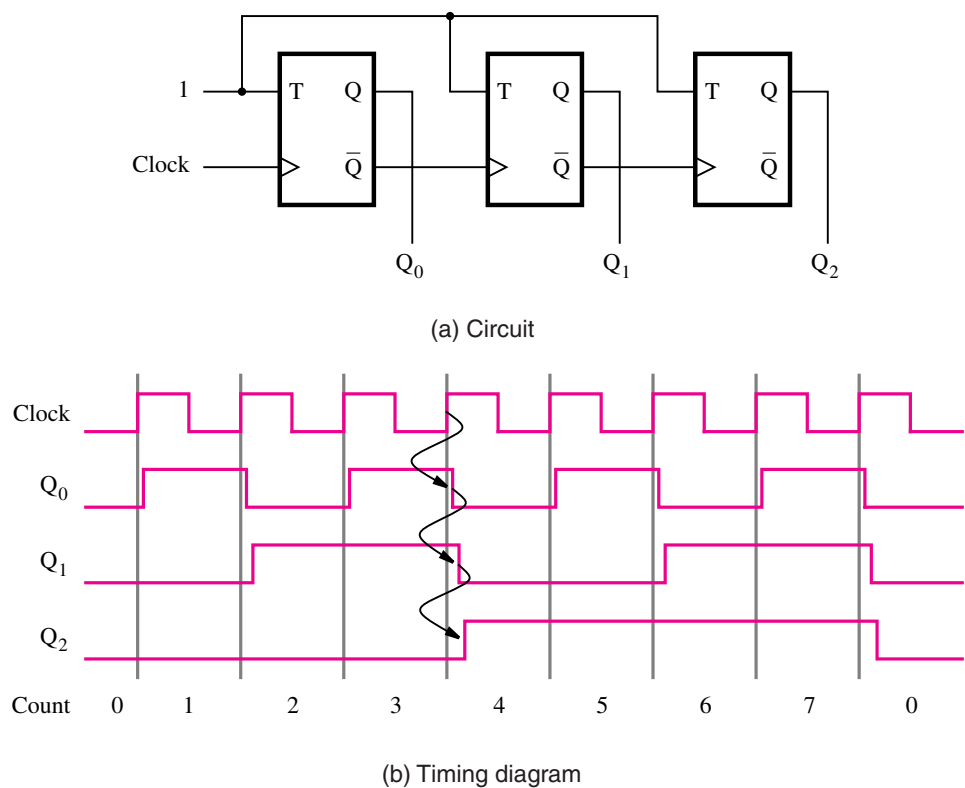
### 5.9.1 ASYNCHRONOUS COUNTERS

The simplest counter circuits can be built using T flip-flops because the toggle feature is naturally suited for the implementation of the counting operation.

### Up-Counter with T Flip-Flops

Figure 5.19a gives a three-bit counter capable of counting from 0 to 7. The clock inputs of the three flip-flops are connected in cascade. The  $T$  input of each flip-flop is connected to a constant 1, which means that the state of the flip-flop will be reversed (toggled) at each positive edge of its clock. We are assuming that the purpose of this circuit is to count the number of pulses that occur on the primary input called *Clock*. Thus the clock input of the first flip-flop is connected to the *Clock* line. The other two flip-flops have their clock inputs driven by the  $\bar{Q}$  output of the preceding flip-flop. Therefore, they toggle their state whenever the preceding flip-flop changes its state from  $Q = 1$  to  $Q = 0$ , which results in a positive edge of the  $\bar{Q}$  signal.

Figure 5.19b shows a timing diagram for the counter. The value of  $Q_0$  toggles once each clock cycle. The change takes place shortly after the positive edge of the *Clock* signal. The delay is caused by the propagation delay through the flip-flop. Since the second flip-flop is clocked by  $\bar{Q}_0$ , the value of  $Q_1$  changes shortly after the negative edge of the  $Q_0$  signal. Similarly, the value of  $Q_2$  changes shortly after the negative edge of the  $Q_1$  signal. If we look at the values  $Q_2Q_1Q_0$  as the count, then the timing diagram indicates that the counting



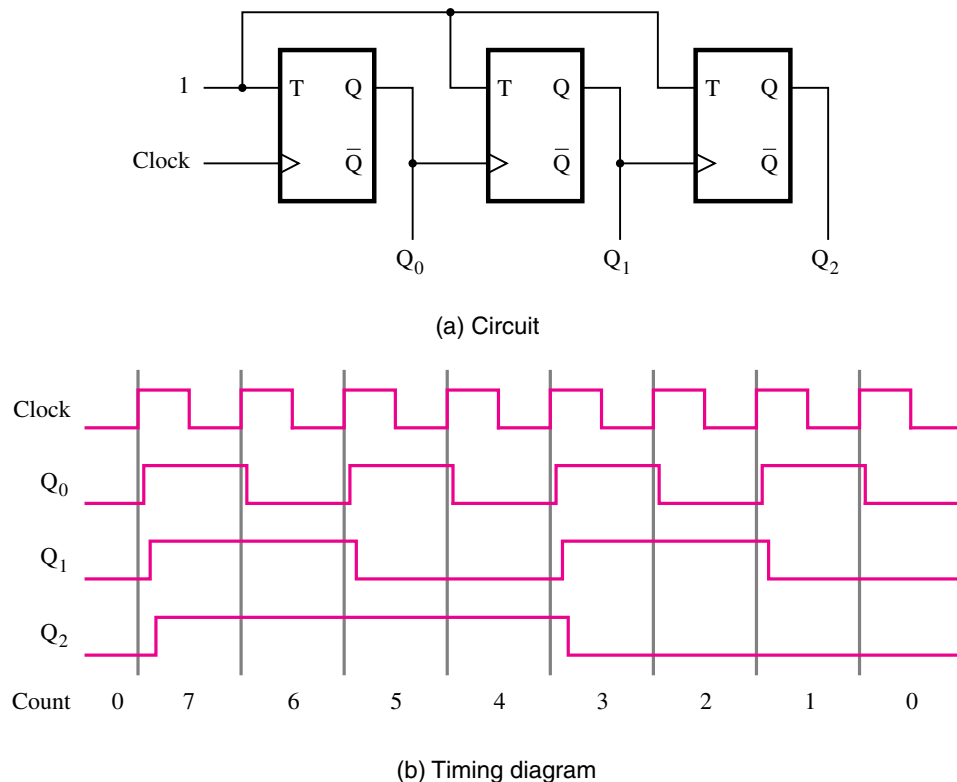
**Figure 5.19** A three-bit up-counter.

sequence is 0, 1, 2, 3, 4, 5, 6, 7, 0, 1, and so on. This circuit is a modulo-8 counter. Because it counts in the upward direction, we call it an *up-counter*.

The counter in Figure 5.19a has three *stages*, each comprising a single flip-flop. Only the first stage responds directly to the *Clock* signal; we say that this stage is *synchronized* to the clock. The other two stages respond after an additional delay. For example, when *Count* = 3, the next clock pulse will cause the *Count* to go to 4. As indicated by the arrows in the timing diagram in Figure 5.19b, this change requires the toggling of the states of all three flip-flops. The change in  $Q_0$  is observed only after a propagation delay from the positive edge of *Clock*. The  $Q_1$  and  $Q_2$  flip-flops have not yet changed; hence for a brief time the count is  $Q_2Q_1Q_0 = 010$ . The change in  $Q_1$  appears after a second propagation delay, at which point the count is 000. Finally, the change in  $Q_2$  occurs after a third delay, at which point the stable state of the circuit is reached and the count is 100. This behavior is similar to the rippling of carries in the ripple-carry adder circuit of Figure 3.5. The circuit in Figure 5.19a is an *asynchronous counter*, or a *ripple counter*.

### Down-Counter with T Flip-Flops

A slight modification of the circuit in Figure 5.19a is presented in Figure 5.20a. The only difference is that in Figure 5.20a the clock inputs of the second and third flip-flops are



**Figure 5.20** A three-bit down-counter.



driven by the  $Q$  outputs of the preceding stages, rather than by the  $\bar{Q}$  outputs. The timing diagram, given in Figure 5.20*b*, shows that this circuit counts in the sequence 0, 7, 6, 5, 4, 3, 2, 1, 0, 7, and so on. Because it counts in the downward direction, we say that it is a *down-counter*.

It is possible to combine the functionality of the circuits in Figures 5.19*a* and 5.20*a* to form a counter that can count either up or down. Such a counter is called an *up/down-counter*. We leave the derivation of this counter as an exercise for the reader (Problem 5.15).

## 5.9.2 SYNCHRONOUS COUNTERS

The asynchronous counters in Figures 5.19*a* and 5.20*a* are simple, but not very fast. If a counter with a larger number of bits is constructed in this manner, then the delays caused by the cascaded clocking scheme may become too long to meet the desired performance requirements. We can build a faster counter by clocking all flip-flops at the same time, using the approach described below.

### Synchronous Counter with T Flip-Flops

Table 5.1 shows the contents of a three-bit up-counter for eight consecutive clock cycles, assuming that the count is initially 0. Observing the pattern of bits in each row of the table, it is apparent that bit  $Q_0$  changes on each clock cycle. Bit  $Q_1$  changes only when  $Q_0 = 1$ . Bit  $Q_2$  changes only when both  $Q_1$  and  $Q_0$  are equal to 1. In general, for an  $n$ -bit up-counter, a given flip-flop changes its state only when all the preceding flip-flops are in the state  $Q = 1$ . Therefore, if we use T flip-flops to realize the counter, then the  $T$  inputs are defined as

$$T_0 = 1$$

$$T_1 = Q_0$$

$$T_2 = Q_0Q_1$$

**Table 5.1** Derivation of the synchronous up-counter.

Clock cycle	$Q_2$	$Q_1$	$Q_0$
0	0	0	0
1	0	0	1
2	0	1	0
3	0	1	1
4	1	0	0
5	1	0	1
6	1	1	0
7	1	1	1
8	0	0	0

$$T_3 = Q_0 Q_1 Q_2$$

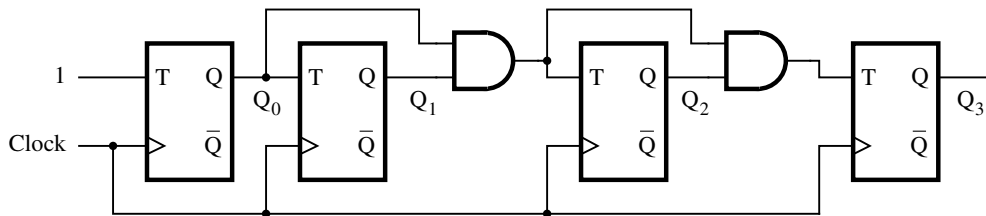
⋮

⋮

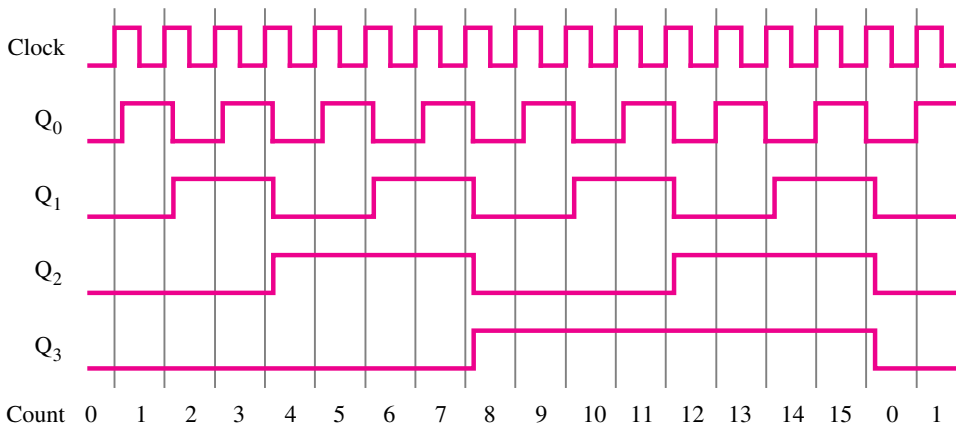
⋮

$$T_n = Q_0 Q_1 \cdots Q_{n-1}$$

An example of a four-bit counter based on these expressions is given in Figure 5.21a. Instead of using AND gates of increased size for each stage, we use a factored arrangement as shown in the figure. This arrangement does not slow down the response of the counter, because all flip-flops change their states after a propagation delay from the positive edge of the clock. Note that a change in the value of  $Q_0$  may have to propagate through several AND gates to reach the flip-flops in the higher stages of the counter, which requires a certain

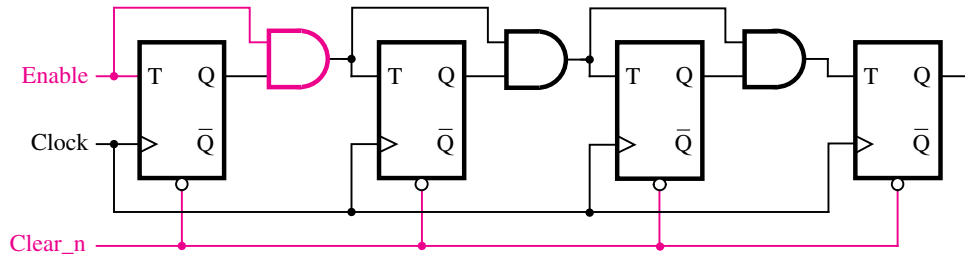


(a) Circuit



(b) Timing diagram

**Figure 5.21** A four-bit synchronous up-counter.



**Figure 5.22** Inclusion of Enable and Clear capability.

amount of time. This time must not exceed the clock period. Actually, it must be less than the clock period minus the setup time for the flip-flops.

Figure 5.21*b* gives a timing diagram. It shows that the circuit behaves as a modulo-16 up-counter. Because all changes take place with the same delay after the active edge of the *Clock* signal, the circuit is called a *synchronous counter*.

### Enable and Clear Capability

The counters in Figures 5.19 through 5.21 change their contents in response to each clock pulse. Often it is desirable to be able to inhibit counting, so that the count remains in its present state. This may be accomplished by including an *Enable* control signal, as indicated in Figure 5.22. The circuit is the counter of Figure 5.21, where the *Enable* signal controls directly the *T* input of the first flip-flop. Connecting the *Enable* also to the AND-gate chain means that if *Enable* = 0, then all *T* inputs will be equal to 0. If *Enable* = 1, then the counter operates as explained previously.

In many applications it is necessary to start with the count equal to zero. This is easily achieved if the flip-flops can be cleared, as explained in Section 5.4.3. The clear inputs on all flip-flops can be tied together and driven by a *Clear<sub>n</sub>* control input.

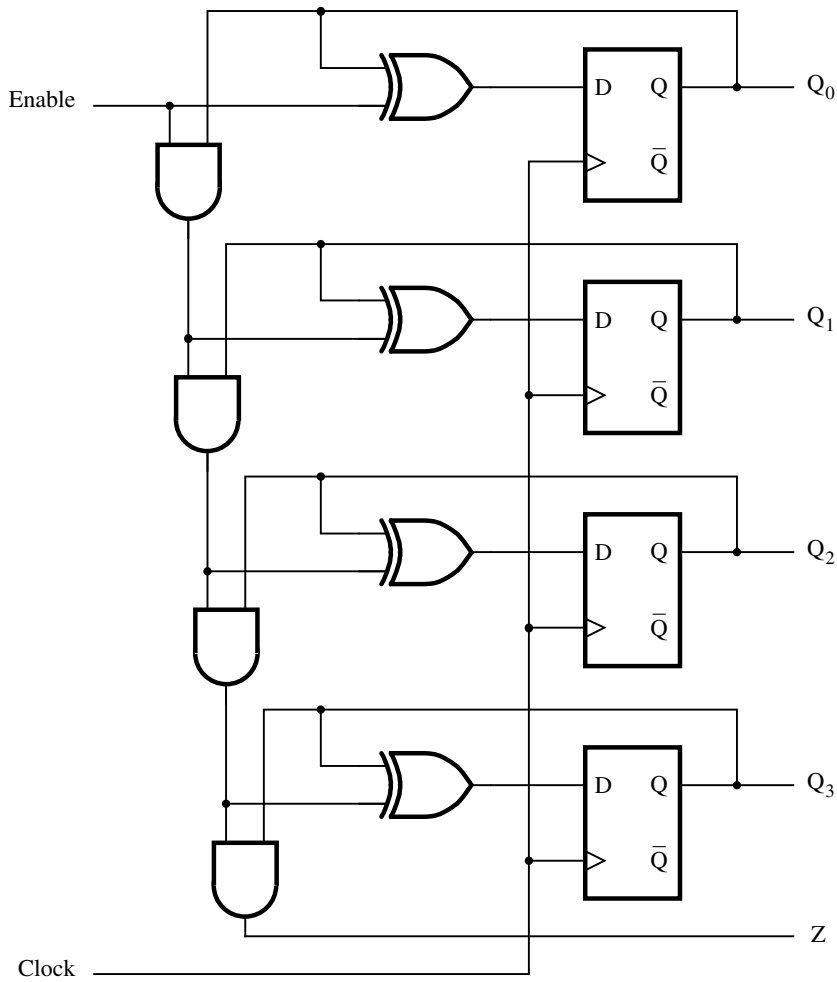
### Synchronous Counter with D Flip-Flops

While the toggle feature makes T flip-flops a natural choice for the implementation of counters, it is also possible to build counters using other types of flip-flops. The JK flip-flops can be used in exactly the same way as the T flip-flops because if the *J* and *K* inputs are tied together, a JK flip-flop becomes a T flip-flop. We will now consider using D flip-flops for this purpose.

It is not obvious how D flip-flops can be used to implement a counter. We will present a formal method for deriving such circuits in Chapter 6. Here we will present a circuit structure that meets the requirements but will leave the derivation for Chapter 6. Figure 5.23 gives a four-bit up-counter that counts in the sequence 0, 1, 2, . . . , 14, 15, 0, 1, and so on. The count is indicated by the flip-flop outputs  $Q_3Q_2Q_1Q_0$ . If we assume that *Enable* = 1, then the *D* inputs of the flip-flops are defined by the expressions

$$D_0 = Q_0 \oplus 1 = \overline{Q_0}$$

$$D_1 = Q_1 \oplus Q_0$$



**Figure 5.23** A four-bit counter with D flip-flops.

$$D_2 = Q_2 \oplus Q_1 Q_0$$

$$D_3 = Q_3 \oplus Q_2 Q_1 Q_0$$

For a larger counter the  $i$ th stage is defined by

$$D_i = Q_i \oplus Q_{i-1} Q_{i-2} \cdots Q_1 Q_0$$

We will show how to derive these equations in Chapter 6.

We have included the *Enable* control signal in Figure 5.23 so that the counter counts the clock pulses only if  $Enable = 1$ . In effect, the above equations are modified to implement the circuit in the figure as follows

$$\begin{aligned}D_0 &= Q_0 \oplus Enable \\D_1 &= Q_1 \oplus Q_0 \cdot Enable \\D_2 &= Q_2 \oplus Q_1 \cdot Q_0 \cdot Enable \\D_3 &= Q_3 \oplus Q_2 \cdot Q_1 \cdot Q_0 \cdot Enable\end{aligned}$$

The operation of the counter is based on our observation for Table 5.1 that the state of the flip-flop in stage  $i$  changes only if all preceding flip-flops are in the state  $Q = 1$ . This makes the output of the AND gate that feeds stage  $i$  equal to 1, which causes the output of the XOR gate connected to  $D_i$  to be equal to  $\bar{Q}_i$ . Otherwise, the output of the XOR gate provides  $D_i = Q_i$ , and the flip-flop remains in the same state.

We have included an extra AND gate that produces the output  $Z$ . This signal makes it easy to concatenate two such counters to create a larger counter. It is also useful in applications where it is necessary to detect the state where the count has reached its maximum value (all 1s) and will go to 0 in the next clock cycle.

The counter in Figure 5.23 is essentially the same as the circuit in Figure 5.22. We showed in Figure 5.15a that a T flip-flop can be formed from a D flip-flop by providing the extra gating that gives

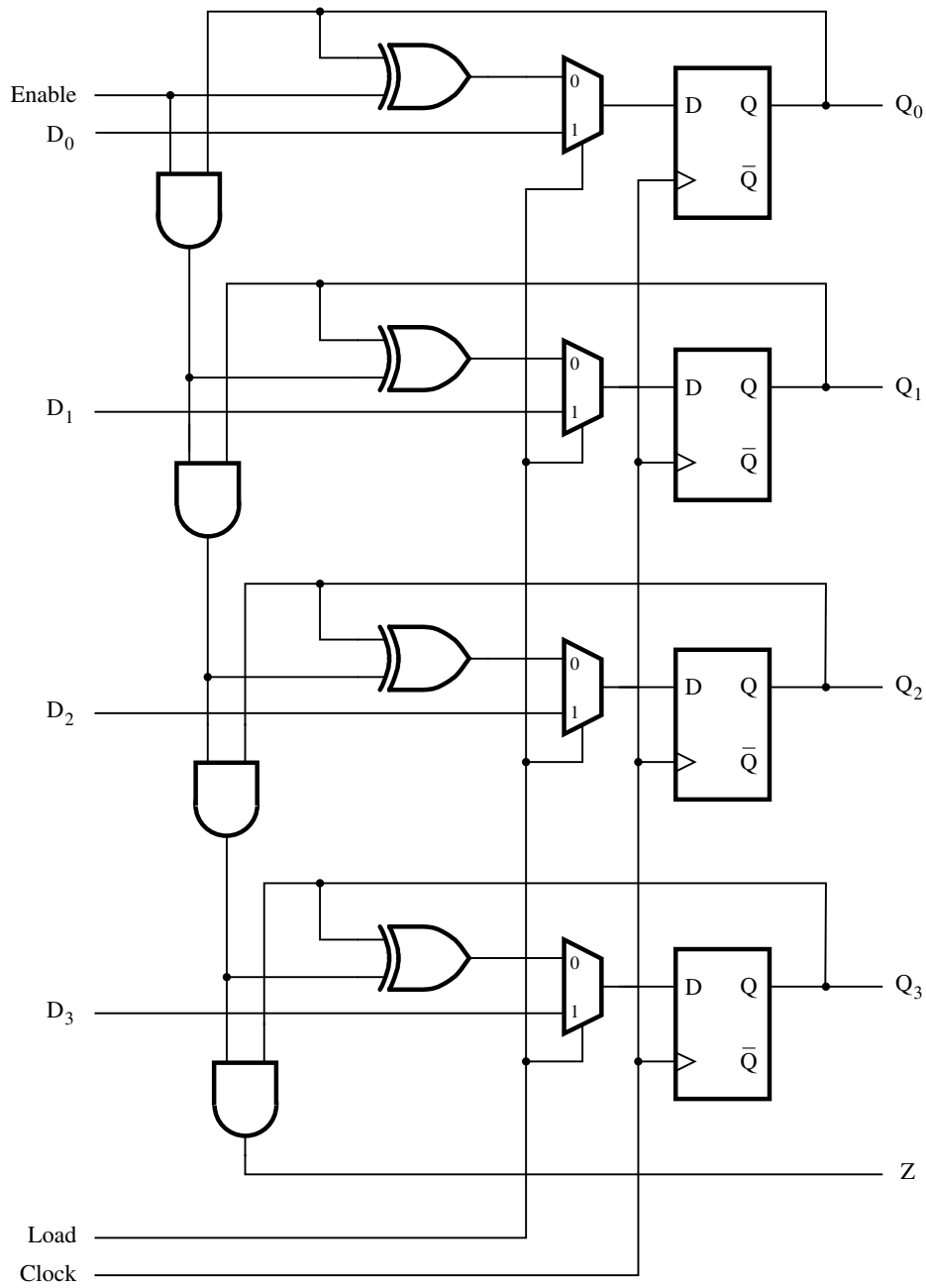
$$\begin{aligned}D &= Q\bar{T} + \bar{Q}T \\ &= Q \oplus T\end{aligned}$$

Thus in each stage in Figure 5.23, the D flip-flop and the associated XOR gate implement the functionality of a T flip-flop.

### 5.9.3 COUNTERS WITH PARALLEL LOAD

Often it is necessary to start counting with the initial count being equal to 0. This state can be achieved by using the capability to clear the flip-flops as indicated in Figure 5.22. But sometimes it is desirable to start with a different count. To allow this mode of operation, a counter circuit must have some inputs through which the initial count can be loaded. Using the *Clear* and *Preset* inputs for this purpose is a possibility, but a better approach is discussed below.

The circuit of Figure 5.23 can be modified to provide the parallel-load capability as shown in Figure 5.24. A two-input multiplexer is inserted before each  $D$  input. One input to the multiplexer is used to provide the normal counting operation. The other input is a data bit that can be loaded directly into the flip-flop. A control input, *Load*, is used to choose the mode of operation. The circuit counts when  $Load = 0$ . A new initial value,  $D_3D_2D_1D_0$ , is loaded into the counter when  $Load = 1$ .

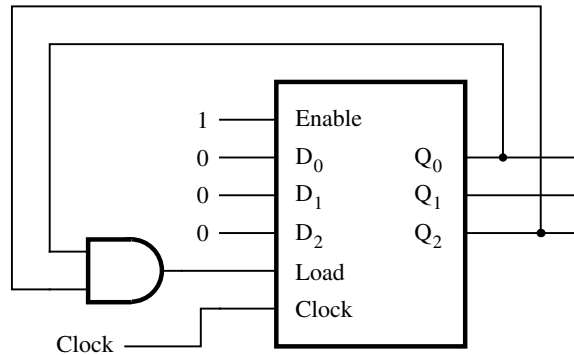


**Figure 5.24** A counter with parallel-load capability.

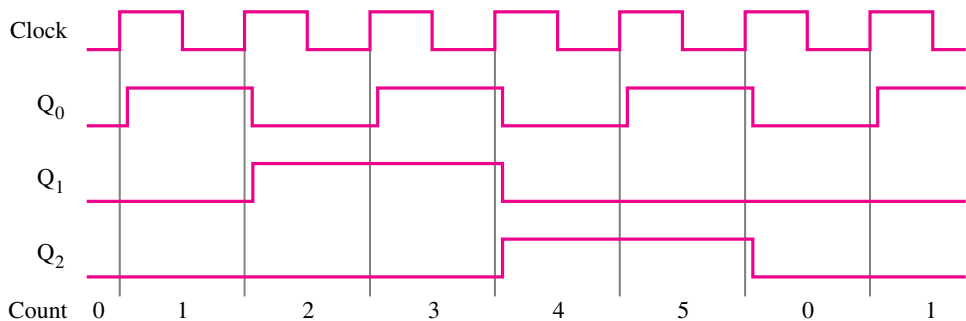
## 5.10 RESET SYNCHRONIZATION

We have already mentioned that it is important to be able to clear, or *reset*, the contents of a counter prior to commencing a counting operation. This can be done using the clear capability of the individual flip-flops. But we may also be interested in resetting the count to 0 during the normal counting process. An  $n$ -bit up-counter functions naturally as a modulo- $2^n$  counter. Suppose that we wish to have a counter that counts modulo some base that is not a power of 2. For example, we may want to design a modulo-6 counter, for which the counting sequence is 0, 1, 2, 3, 4, 5, 0, 1, and so on.

The most straightforward approach is to recognize when the count reaches 5 and then reset the counter. An AND gate can be used to detect the occurrence of the count of 5. Actually, it is sufficient to ascertain that  $Q_2 = Q_0 = 1$ , which is true only for 5 in our desired counting sequence. A circuit based on this approach is given in Figure 5.25a. It



(a) Circuit

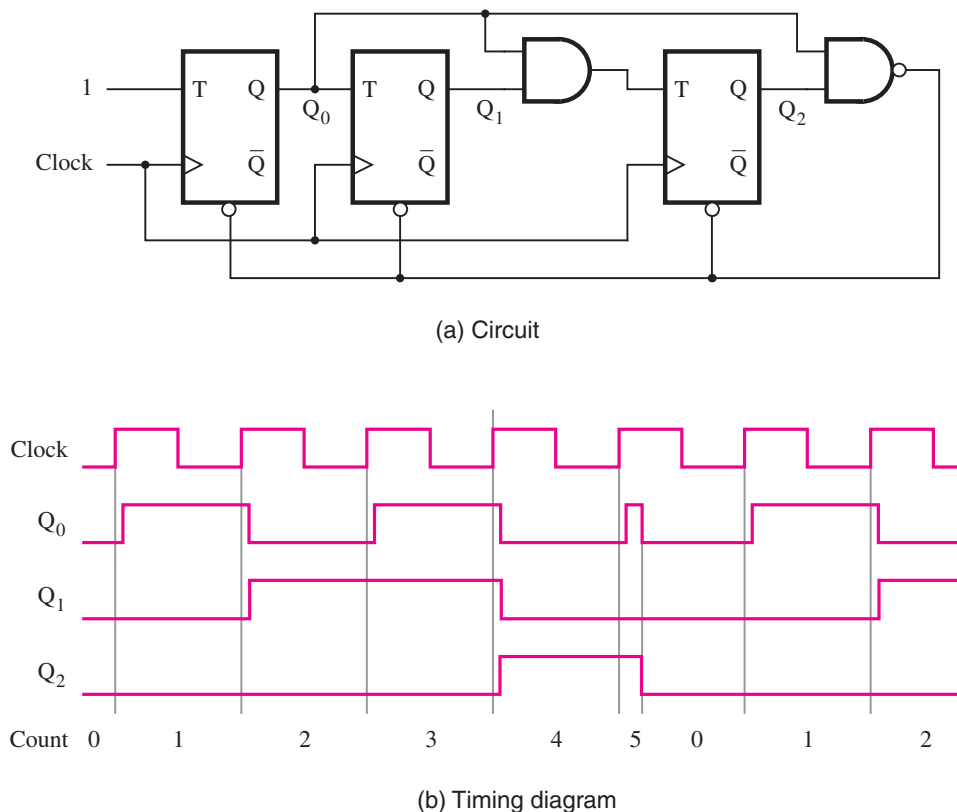


(b) Timing diagram

**Figure 5.25** A modulo-6 counter with synchronous reset.

uses a three-bit synchronous counter of the type depicted in Figure 5.24. The parallel-load feature of the counter is used to reset its contents when the count reaches 5. The resetting action takes place at the positive clock edge after the count has reached 5. It involves loading  $D_2D_1D_0 = 000$  into the flip-flops. As seen in the timing diagram in Figure 5.25b, the desired counting sequence is achieved, with each value of the count being established for one full clock cycle. Because the counter is reset on the active edge of the clock, we say that this type of counter has a *synchronous reset*.

Consider now the possibility of using the clear feature of individual flip-flops, rather than the parallel-load approach. The circuit in Figure 5.26a illustrates one possibility. It uses the counter structure of Figure 5.21a. Since the clear inputs are active when low, a NAND gate is used to detect the occurrence of the count of 5 and cause the clearing of all three flip-flops. Conceptually, this seems to work fine, but closer examination reveals a potential problem. The timing diagram for this circuit is given in Figure 5.26b. It shows a difficulty that arises when the count is equal to 5. As soon as the count reaches this value, the NAND gate triggers the resetting action. The flip-flops are cleared to 0 a short time after the NAND gate has detected the count of 5. This time depends on the gate delays in the circuit, but not on the clock. Therefore, signal values  $Q_2Q_1Q_0 = 101$  are maintained for a



**Figure 5.26** A modulo-6 counter with asynchronous reset.



time that is much less than a clock cycle. Depending on a particular application of such a counter, this may be adequate, but it may also be completely unacceptable. For example, if the counter is used in a digital system where all operations in the system are synchronized by the same clock, then this narrow pulse denoting  $Count = 5$  would not be seen by the rest of the system. This is not a good way of designing circuits, because pulses of short length often cause unforeseen difficulties in practice. The approach employed in Figure 5.26a is said to use *asynchronous reset*.

The timing diagrams in Figures 5.25b and 5.26b suggest that synchronous reset is a better choice than asynchronous reset. The same observation is true if the natural counting sequence has to be broken by loading some value other than zero. The new value of the count can be established cleanly using the parallel-load feature. The alternative of using the clear and preset capability of individual flip-flops to set their states to reflect the desired count has the same problems as discussed in conjunction with the asynchronous reset.

---

## 5.11 OTHER TYPES OF COUNTERS

In this section we discuss three other types of counters that can be found in practical applications. The first uses the decimal counting sequence, and the other two generate sequences of codes that do not represent binary numbers.

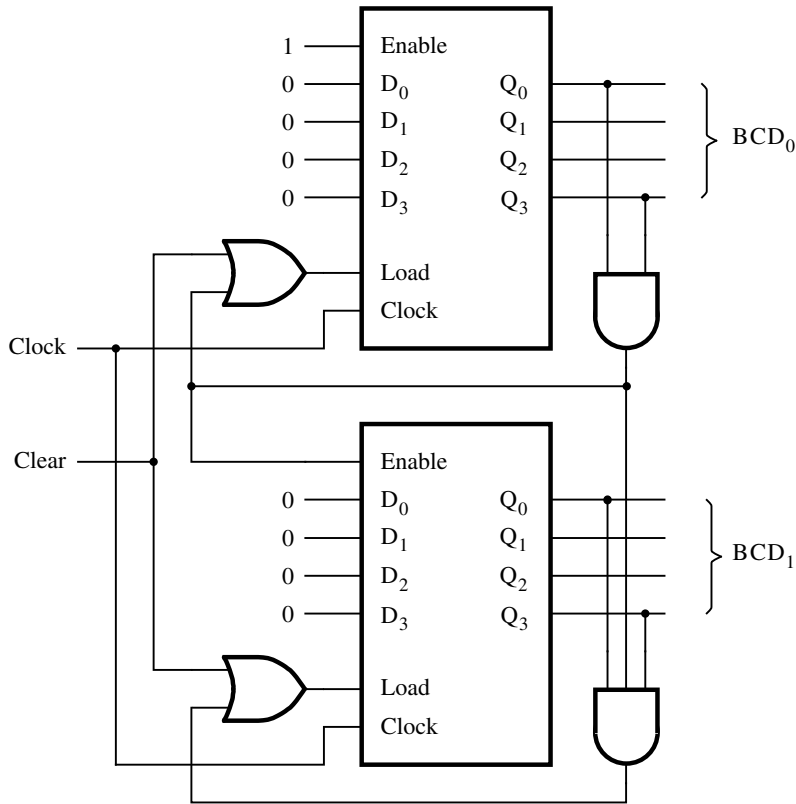
### 5.11.1 BCD COUNTER

Binary-coded-decimal (BCD) counters can be designed using the approach explained in Section 5.10. A two-digit BCD counter is presented in Figure 5.27. It consists of two modulo-10 counters, one for each BCD digit, which we implemented using the parallel-load four-bit counter of Figure 5.24. Note that in a modulo-10 counter it is necessary to reset the four flip-flops after the count of 9 has been obtained. Thus the *Load* input to each stage is equal to 1 when  $Q_3 = Q_0 = 1$ , which causes 0s to be loaded into the flip-flops at the next positive edge of the clock signal. Whenever the count in stage 0,  $BCD_0$ , reaches 9 it is necessary to enable the second stage so that it will be incremented when the next clock pulse arrives. This is accomplished by keeping the *Enable* signal for  $BCD_1$  low at all times except when  $BCD_0 = 9$ .

In practice, it has to be possible to clear the contents of the counter by activating some control signal. Two OR gates are included in the circuit for this purpose. The control input *Clear* can be used to load 0s into the counter. Observe that in this case *Clear* is active when high.

### 5.11.2 RING COUNTER

In the preceding counters the count is indicated by the state of the flip-flops in the counter. In all cases the count is a binary number. Using such counters, if an action is to be taken

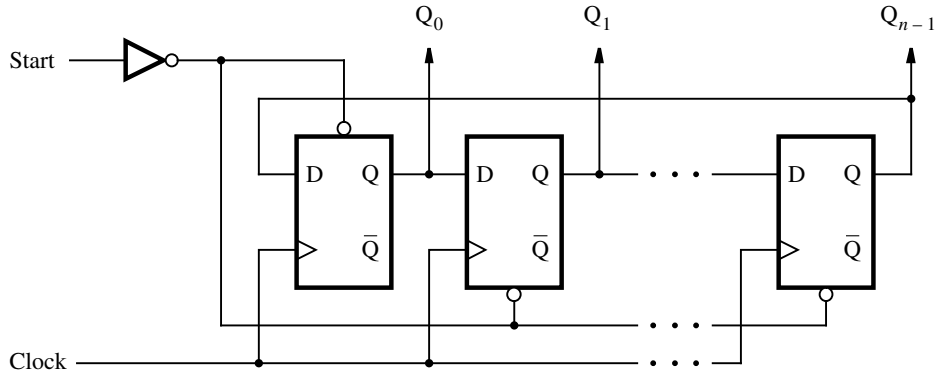


**Figure 5.27** A two-digit BCD counter.

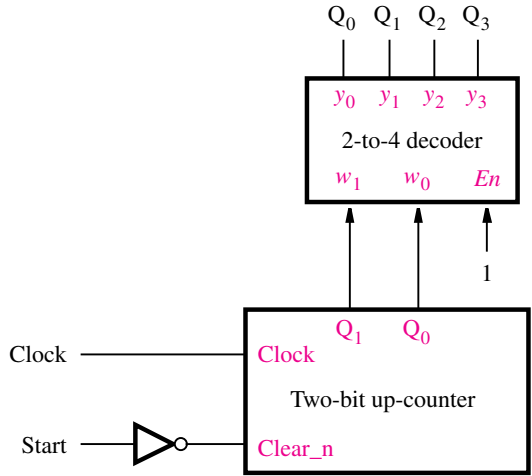
as a result of a particular count, then it is necessary to detect the occurrence of this count. This may be done using AND gates, as illustrated in Figures 5.25 through 5.27.

It is possible to devise a counterlike circuit in which each flip-flop reaches the state  $Q_i = 1$  for exactly one count, while for all other counts  $Q_i = 0$ . Then  $Q_i$  indicates directly an occurrence of the corresponding count. Actually, since this does not represent binary numbers, it is better to say that the outputs of the flip-flops represent a code. Such a circuit can be constructed from a simple shift register, as indicated in Figure 5.28a. The Q output of the last stage in the shift register is fed back as the input to the first stage, which creates a ringlike structure. If a single 1 is injected into the ring, this 1 will be shifted through the ring at successive clock cycles. For example, in a four-bit structure, the possible codes  $Q_0Q_1Q_2Q_3$  will be 1000, 0100, 0010, and 0001. As we said in Section 4.2, such encoding, where there is a single 1 and the rest of the code variables are 0, is called a *one-hot code*.

The circuit in Figure 5.28a is referred to as a *ring counter*. Its operation has to be initialized by injecting a 1 into the first stage. This is achieved by using the *Start* control signal, which presets the left-most flip-flop to 1 and clears the others to 0. We assume that



(a) An  $n$ -bit ring counter



(b) A four-bit ring counter

**Figure 5.28** Ring counter.

all changes in the value of the *Start* signal occur shortly after an active clock edge so that the flip-flop timing parameters are not violated.

The circuit in Figure 5.28a can be used to build a ring counter with any number of bits,  $n$ . For the specific case of  $n = 4$ , part (b) of the figure shows how a ring counter can be constructed using a two-bit up-counter and a decoder. When *Start* is set to 1, the counter is reset to 00. After *Start* changes back to 0, the counter increments its value in the

normal way. The 2-to-4 decoder, described in Section 4.2, changes the counter output into a one-hot code. For the count values 00, 01, 10, 11, 00, and so on, the decoder produces  $Q_0Q_1Q_2Q_3 = 1000, 0100, 0010, 0001, 1000$ , and so on. This circuit structure can be used for larger ring counters, as long as the number of bits is a power of two.

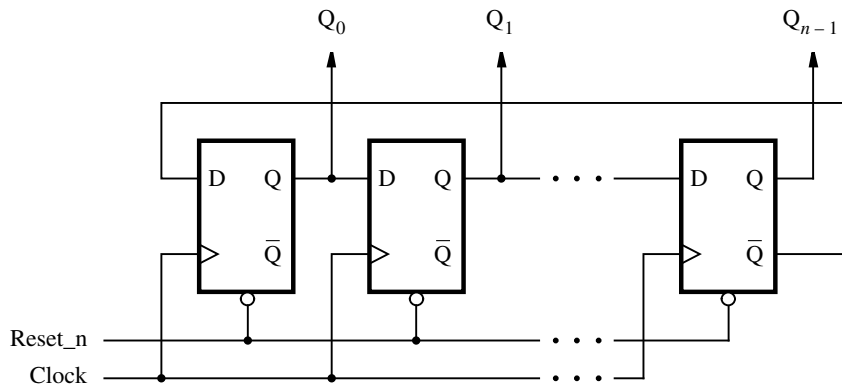
### 5.11.3 JOHNSON COUNTER

An interesting variation of the ring counter is obtained if, instead of the  $Q$  output, we take the  $\bar{Q}$  output of the last stage and feed it back to the first stage, as shown in Figure 5.29. This circuit is known as a *Johnson counter*. An  $n$ -bit counter of this type generates a counting sequence of length  $2n$ . For example, a four-bit counter produces the sequence 0000, 1000, 1100, 1110, 1111, 0111, 0011, 0001, 0000, and so on. Note that in this sequence, only a single bit has a different value for two consecutive codes.

To initialize the operation of the Johnson counter, it is necessary to reset all flip-flops, as shown in the figure. Observe that neither the Johnson nor the ring counter will generate the desired counting sequence if not initialized properly.

### 5.11.4 REMARKS ON COUNTER DESIGN

The sequential circuits presented in this chapter, namely, registers and counters, have a regular structure that allows the circuits to be designed using an intuitive approach. In Chapter 6 we will present a more formal approach to design of sequential circuits and show how the circuits presented in this chapter can be derived using this approach.



**Figure 5.29** Johnson counter.

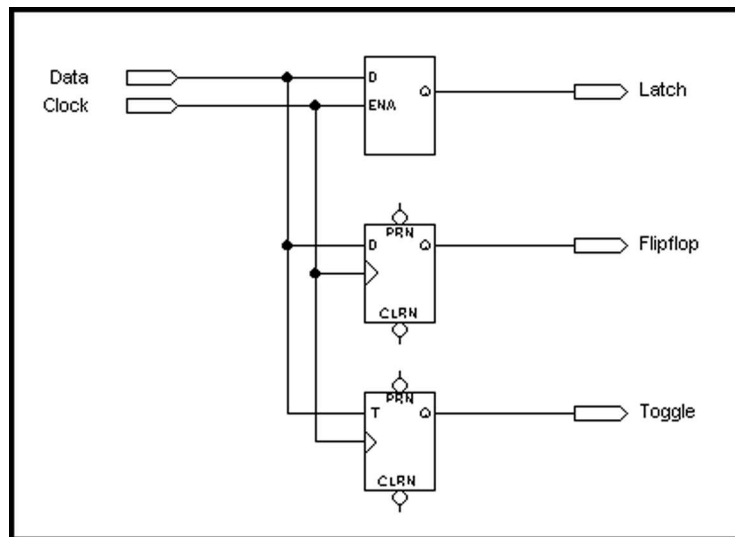
## 5.12 USING STORAGE ELEMENTS WITH CAD TOOLS

This section shows how circuits with storage elements can be designed using either schematic capture or Verilog code.

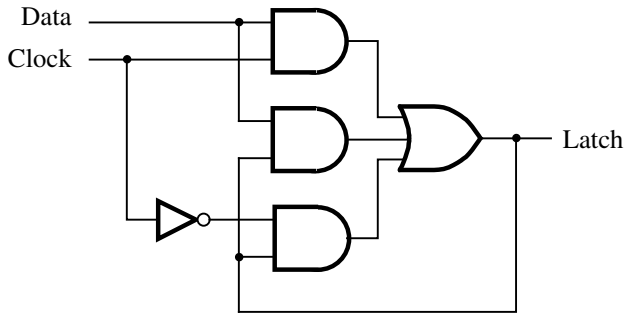
### 5.12.1 INCLUDING STORAGE ELEMENTS IN SCHEMATICS

One way to create a circuit is to draw a schematic that builds latches and flip-flops from logic gates. Because these storage elements are used in many applications, most CAD systems provide them as prebuilt modules. Figure 5.30 shows a schematic created with a schematic capture tool, which includes three types of flip-flops that are imported from a library provided as part of the CAD system. The top element is a gated D latch, the middle element is a positive-edge-triggered D flip-flop, and the bottom one is a positive-edge-triggered T flip-flop. The D and T flip-flops have asynchronous, active-low clear and preset inputs. If these inputs are not connected in a schematic, then the CAD tool makes them inactive by assigning the default value of 1 to them.

When the gated D latch is synthesized for implementation in a chip, the CAD tool may not generate the cross-coupled NOR or NAND gates shown in Section 5.2. In some chips the AND-OR circuit depicted in Figure 5.31 may be preferable. This circuit is functionally equivalent to the cross-coupled version in Section 5.2. One aspect of this circuit should be mentioned. From the functional point of view, it appears that the circuit can be simplified by removing the AND gate with the inputs *Data* and *Latch*. Without this gate, the top



**Figure 5.30** Three types of storage elements in a schematic.



**Figure 5.31** Gated D latch generated by CAD tools.

AND gate sets the value stored in the latch when the clock is 1, and the bottom AND gate maintains the stored value when the clock is 0. But without this gate, the circuit has a timing problem known as a *static hazard*. A detailed explanation of hazards will be given in Chapter 11.

The circuit in Figure 5.30 can be implemented in a CPLD as shown in Figure 5.32. The D and T flip-flops are realized using the flip-flops on the chip that are configurable as either D or T types. The figure depicts in blue the gates and wires needed to implement the circuit in Figure 5.30.

The results of a timing simulation for the implementation in Figure 5.32 are given in Figure 5.33. The *Latch* signal, which is the output of the gated D latch implemented as indicated in Figure 5.31, follows the *Data* input whenever the *Clock* signal is 1. Because of propagation delays in the chip, the *Latch* signal is delayed in time with respect to the *Data* signal. Since the *Flipflop* signal is the output of the D flip-flop, it changes only after a positive clock edge. Similarly, the output of the T flip-flop, called *Toggle* in the figure, toggles when *Data* = 1 and a positive clock edge occurs. The timing diagram illustrates the delay from when the positive clock edge occurs at the input pin of the chip until a change in the flip-flop output appears at the output pin of the chip. This time is called the *clock-to-output time*,  $t_{co}$ .

### 5.12.2 USING VERILOG CONSTRUCTS FOR STORAGE ELEMENTS

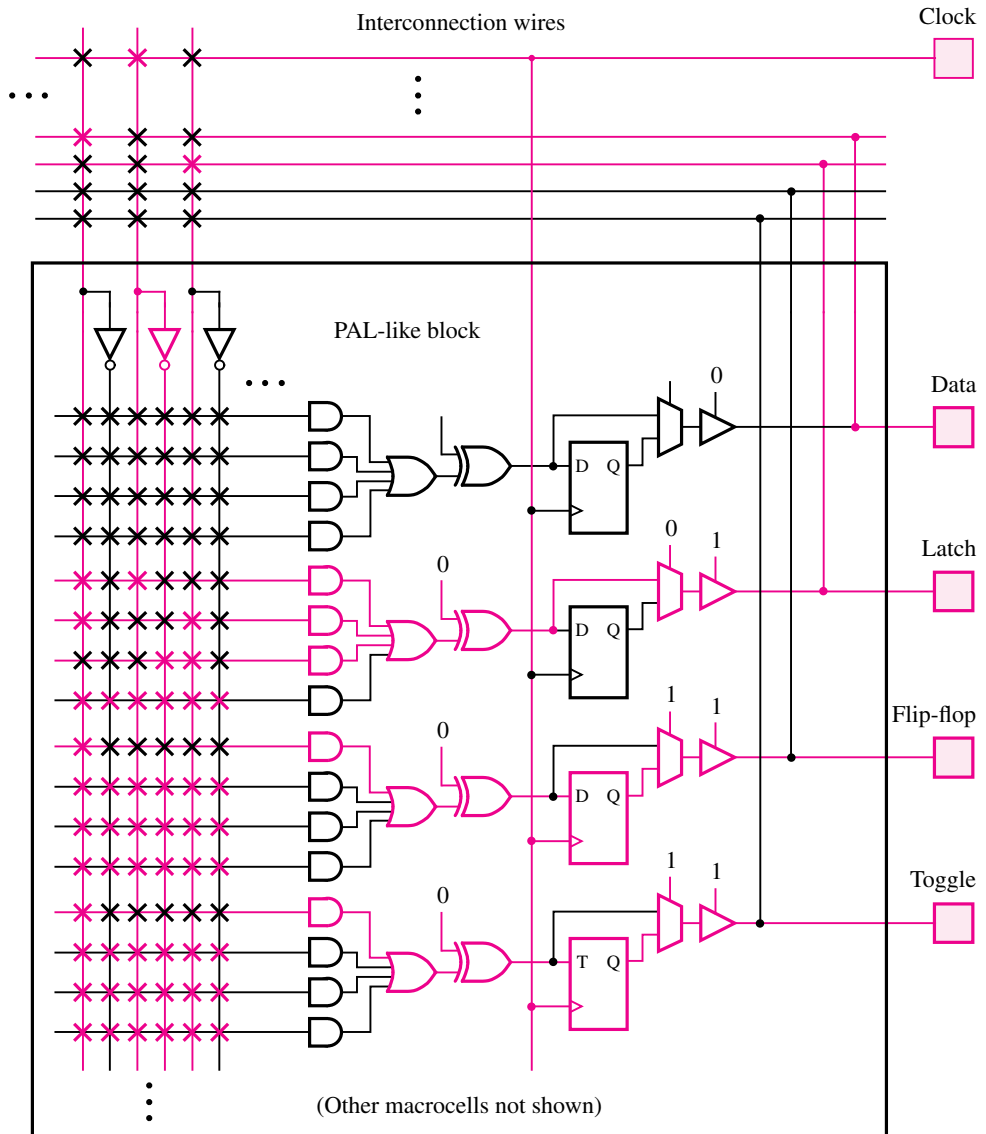
In Section 4.6 we described a number of Verilog constructs. We now show how these constructs can be used to describe storage elements.

A simple way of specifying a storage element is by using the **if-else** statement to describe the desired behavior responding to changes in the levels of data and clock inputs. Consider the **always** block

```

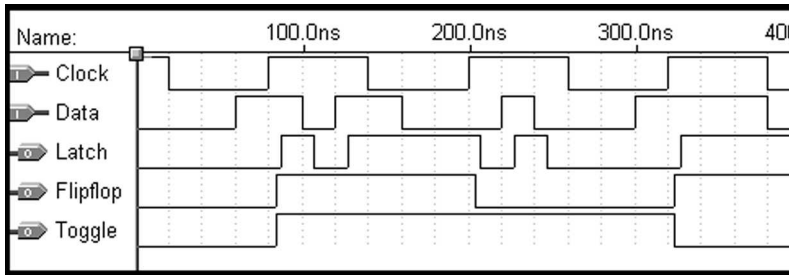
always @(Control, B)
  if (Control)
    A = B;

```



**Figure 5.32** Implementation of the schematic in Figure 5.30 in a CPLD.

where  $A$  is a variable of **reg** type. This code specifies that the value of  $A$  should be made equal to the value of  $B$  when  $Control = 1$ . But the statement does not indicate an action that should occur when  $Control = 0$ . In the absence of an assigned value, the Verilog compiler assumes that the value of  $A$  caused by the **if** statement must be maintained when  $Control$  is not equal to 1. This notion of *implied memory* is realized by instantiating a latch in the circuit.



**Figure 5.33** Timing simulation for the storage elements in Figure 5.30.

```

module D_latch (D, Clk, Q);
  input D, Clk;
  output reg Q;

  always @(D, Clk)
    if (Clk)
      Q = D;

endmodule

```

**Figure 5.34** Code for a gated D latch.

---

**CODE FOR A GATED D LATCH** The code in Figure 5.34 defines a module named *D\_latch*, which has the inputs *D* and *Clk* and the output *Q*. The **if** clause defines that the *Q* output must take the value of *D* when *Clk* = 1. Since no **else** clause is given, a latch will be synthesized to maintain the value of *Q* when *Clk* = 0. Therefore, the code describes a gated D latch. The sensitivity list includes *Clk* and *D* because both of these signals can cause a change in the value of the *Q* output.

---

### Example 5.1

An **always** construct is used to define a circuit that responds to changes in the signals that appear in the sensitivity list. While in the examples presented so far the **always** blocks are sensitive to the *levels* of signals, it is also possible to specify that a response should take place only at a particular edge of a signal. The desired edge is specified by using the Verilog keywords **posedge** and **negedge**, which are used to implement edge-triggered circuits.

---

**CODE FOR A D FLIP-FLOP** Figure 5.35 defines a module named *flipflop*, which is a positive-edge-triggered D flip-flop. The sensitivity list contains only the clock signal because it is the only signal that can cause a change in the *Q* output. The keyword **posedge** specifies

### Example 5.2



```

module flipflop (D, Clock, Q);
  input D, Clock;
  output reg Q;

  always @(posedge Clock)
    Q = D;

endmodule

```

**Figure 5.35** Code for a D flip-flop.

that a change may occur only on the positive edge of *Clock*. At this time the output *Q* is set to the value of the input *D*. Since **posedge** appears in the sensitivity list, *Q* will be implemented as the output of a flip-flop.

---

### 5.12.3 BLOCKING AND NON-BLOCKING ASSIGNMENTS

In all our Verilog examples presented so far we have used the equal sign for assignments, as in

$$f = x1 \& x2;$$

or

$$C = A + B;$$

or

$$Q = D;$$

This notation is called a *blocking* assignment. A Verilog compiler evaluates the statements in an **always** block in the order in which they are written. If a variable is given a value by a blocking assignment statement, then this new value is used in evaluating all subsequent statements in the block.

---

**Example 5.3** Consider the code in Figure 5.36. Since the **always** block is sensitive to the positive clock edge, both *Q1* and *Q2* will be implemented as the outputs of D flip-flops. However, because blocking assignments are involved, these two flip-flops will not be connected in cascade, as the reader might expect. The first statement

$$Q1 = D;$$

```

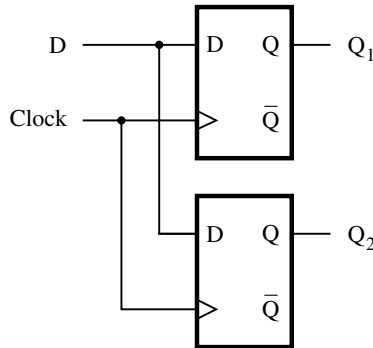
module example5_3 (D, Clock, Q1, Q2);
  input D, Clock;
  output reg Q1, Q2;

  always @(posedge Clock)
  begin
    Q1 = D;
    Q2 = Q1;
  end

endmodule

```

**Figure 5.36** Incorrect code for two cascaded flip-flops.



**Figure 5.37** Circuit for Example 5.3.

sets Q1 to the value of  $D$ . This new value is used in evaluating the subsequent statement

$$Q2 = Q1;$$

which results in  $Q2 = Q1 = D$ . The synthesized circuit has two parallel flip-flops, as illustrated in Figure 5.37. A synthesis tool will likely delete one of these redundant flip-flops as an optimization step.

Verilog also provides a *non-blocking* assignment, denoted with  $<=>$ . All non-blocking assignment statements in an **always** block are evaluated using the values that the variables have when the **always** block is entered. Thus, a given variable has the same value for all statements in the block. The meaning of non-blocking is that the result of each assignment is not seen until the end of the **always** block.

---

**Example 5.4** Figure 5.38 gives the same code as in Figure 5.36, but using non-blocking assignments. In the two statements

```
Q1 <= D;
Q2 <= Q1;
```

the variables *Q1* and *Q2* have some value at the start of evaluating the **always** block, and then they change to a new value concurrently at the end of the **always** block. This code generates a cascaded connection between flip-flops, which implements the shift register depicted in Figure 5.39.

The differences between blocking and non-blocking assignments are illustrated further by the following two examples.

---

**Example 5.5** Code that involves some gates in addition to flip-flops is defined in Figure 5.40 using blocking assignment statements. The resulting circuit is given in Figure 5.41. Both *f* and *g* are implemented as the outputs of D flip-flops, because the sensitivity list of the **always** block specifies the event **posedge** Clock. Since blocking assignments are used, the updated value of *f* generated by the statement  $f = x1 \ \& \ x2$  has to be seen immediately by the following statement  $g = f \ | \ x3$ . Thus, the AND gate that produces  $x1 \ \& \ x2$  is connected to the OR gate that feeds the *g* flip-flop, as shown in Figure 5.41.

---

**Example 5.6** If non-blocking assignments are used, as given in Figure 5.42, then both *f* and *g* are updated simultaneously. Hence, the previous value of *f* is used in updating the value of *g*, which means that the output of the flip-flop that generates *f* is connected to the OR gate that feeds the *g* flip-flop. This gives rise to the circuit in Figure 5.43.

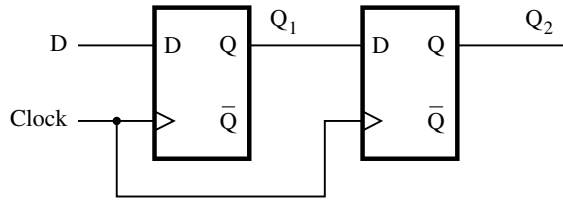
---

```
module example5_4 (D, Clock, Q1, Q2);
  input D, Clock;
  output reg Q1, Q2;

  always @(posedge Clock)
  begin
    Q1 <= D;
    Q2 <= Q1;
  end

endmodule
```

**Figure 5.38** Code for two cascaded flip-flops.



**Figure 5.39** Circuit defined in Figure 5.38.

```

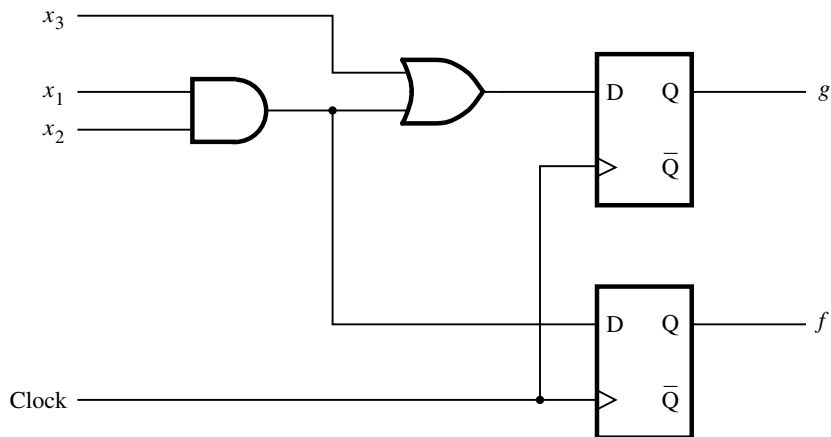
module example5_5 (x1, x2, x3, Clock, f, g);
  input x1, x2, x3, Clock;
  output reg f, g;

  always @(posedge Clock)
  begin
    f = x1 & x2;
    g = f | x3;
  end

endmodule

```

**Figure 5.40** Code for Example 5.5.



**Figure 5.41** Circuit for Example 5.5.

```

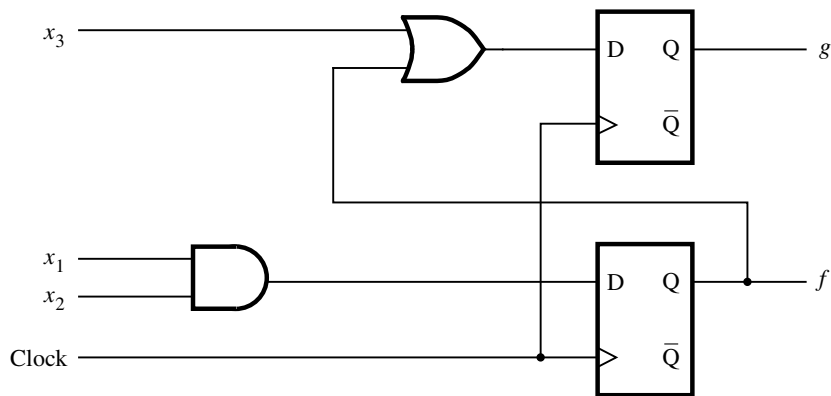
module example5_6 (x1, x2, x3, Clock, f, g);
  input x1, x2, x3, Clock;
  output reg f, g;

  always @(posedge Clock)
  begin
    f <= x1 & x2;
    g <= f | x3;
  end

endmodule

```

**Figure 5.42** Code for Example 5.6.



**Figure 5.43** Circuit for Example 5.6.

It is interesting to consider what circuit would be synthesized if the statements that specify  $f$  and  $g$  were reversed. For the code in Figure 5.40 the impact would be significant. If  $g$  is evaluated first, then the second statement does not depend on the first one, because  $f$  does not depend on  $g$ . The resulting circuit would be the same as the one in Figure 5.43. In contrast, reversing the statement order would make no difference for the code in Figure 5.42, in which the non-blocking assignment is used.

The use of blocking assignments for sequential circuits can easily lead to wrong results, as demonstrated in Figure 5.37. The dependence on ordering of blocking assignments is dangerous, as shown in the previous example. For this reason, only non-blocking assignments should be used to describe sequential circuits.

### 5.12.4 NON-BLOCKING ASSIGNMENTS FOR COMBINATIONAL CIRCUITS

A natural question at this point is whether non-blocking assignments can be used for combinational circuits. The answer is that they can be used in most situations, but when subsequent assignments in an **always** block depend on the results of previous assignments, the non-blocking assignments can generate nonsensical circuits. As an example, assume that we have a three-bit vector  $A = a_2a_1a_0$ , and we wish to generate a combinational function  $f$  that is equal to 1 when there are two adjacent bits in  $A$  that have the value 1. One way to specify this function with blocking assignments is

```

always @(A)
begin
    f = A[1] & A[0];
    f = f | (A[2] & A[1]);
end

```

These statements produce the desired logic function, which is  $f = a_1a_0 + a_2a_1$ . Consider now changing the code to use the non-blocking assignments

```

f <= A[1] & A[0];
f <= f | (A[2] & A[1]);

```

There are two key aspects of the Verilog semantics relevant to this code:

1. The results of non-blocking assignments are visible only after all of the statements in the **always** block have been evaluated.
2. When there are multiple assignments to the same variable inside an **always** block, the result of the last assignment is maintained.

In this example,  $f$  has an unspecified initial value when we enter the **always** block. The first statement assigns  $f = a_1a_0$ , but this result is not visible to the second statement. It still sees the original unspecified value of  $f$ . The second assignment overrides (deletes!) the first assignment and produces the logic function  $f = f + a_2a_1$ . This expression does not correspond to a combinational circuit, because it represents an AND-OR circuit in which the OR-gate is fed back to itself. It is best to use blocking assignments when describing combinational circuits, so as to avoid accidentally creating a sequential circuit.

### 5.12.5 FLIP-FLOPS WITH CLEAR CAPABILITY

By using a particular sensitivity list and a specific style of **if-else** statement, it is possible to include clear (or preset) signals on flip-flops.

---

**Example 5.7 ASYNCHRONOUS CLEAR** Figure 5.44 gives a module that defines a D flip-flop with an asynchronous active-low reset (clear) input. When *Resetn*, the reset input, is equal to 0, the flip-flop's Q output is set to 0. Note that the sensitivity list specifies the negative edge of *Resetn* as an event trigger along with the positive edge of the clock. We cannot omit the keyword **negedge** because the sensitivity list cannot have both edge-triggered and level-sensitive signals.

---

**Example 5.8 SYNCHRONOUS CLEAR** Figure 5.45 shows how a D flip-flop with a synchronous reset input can be described. In this case the reset signal is acted upon only when a positive clock edge arrives. This code generates the circuit in Figure 5.13c, which has an AND gate connected to the flip-flop's D input.

```

module flipflop (D, Clock, Resetn, Q);
  input D, Clock, Resetn;
  output reg Q;

  always @(negedge Resetn, posedge Clock)
    if (!Resetn)
      Q <= 0;
    else
      Q <= D;

endmodule

```

**Figure 5.44** D flip-flop with asynchronous reset.

```

module flipflop (D, Clock, Resetn, Q);
  input D, Clock, Resetn;
  output reg Q;

  always @(posedge Clock)
    if (!Resetn)
      Q <= 0;
    else
      Q <= D;

endmodule

```

**Figure 5.45** D flip-flop with synchronous reset.

## 5.13 USING VERILOG CONSTRUCTS FOR REGISTERS AND COUNTERS

In this section we show how registers and counters can be specified in Verilog code. Figure 5.44 gives code for a D flip-flop. One way to describe an  $n$ -bit register is to write hierarchical code that includes  $n$  instances of the D flip-flop subcircuit. A simpler approach is to use the same code as in Figure 5.44 and define the  $D$  input and  $Q$  output as multibit signals.

**AN N-BIT REGISTER** Since registers of different sizes are often needed in logic circuits, it is advantageous to define a register module for which the number of flip-flops can be easily changed. The code for an  $n$ -bit register is given in Figure 5.46. The parameter  $n$  specifies the number of flip-flops in the register. By changing this parameter, the code can represent a register of any size.

**Example 5.9**

**A FOUR-BIT SHIFT REGISTER** Assume that we wish to write Verilog code that represents the four-bit parallel-access shift register in Figure 5.18. One approach is to write hierarchical code that uses four subcircuits. Each subcircuit consists of a D flip-flop with a 2-to-1 multiplexer connected to the  $D$  input. Figure 5.47 defines the module named *muxdff*, which represents this subcircuit. The two data inputs are named  $D_0$  and  $D_1$ , and they are selected using the  $Sel$  input. The **if-else** statement specifies that on the positive clock edge if  $Sel = 0$ , then  $Q$  is assigned the value of  $D_0$ ; otherwise,  $Q$  is assigned the value of  $D_1$ . An alternative way of defining the same circuit is given in Figure 5.48. In this code, the conditional assignment statement specifies a 2-to-1 multiplexer with the output  $D$ , which is then connected to the flip-flop in the **always** block.

**Example 5.10**

Figure 5.49 defines the four-bit shift register. The module *Stage3* instantiates the left-most flip-flop, which has the output  $Q_3$ , and the module *Stage0* instantiates the right-most flip-flop,  $Q_0$ . When  $L = 1$ , the register is loaded in parallel from the  $R$  input; and when  $L = 0$ , shifting takes place in the left to right direction. Serial data is shifted into the most-significant bit,  $Q_3$ , from the  $w$  input.

**ALTERNATIVE CODE FOR A FOUR-BIT SHIFT REGISTER** A different style of code for the four-bit shift register is given in Figure 5.50. Instead of using subcircuits, the shift register is defined using the approach presented in Example 5.4. All actions take place at the positive edge of the clock. If  $L = 1$ , the register is loaded in parallel with the four bits of input  $R$ . If  $L = 0$ , the contents of the register are shifted to the right and the value of the input  $w$  is loaded into the most-significant bit  $Q_3$ .

**Example 5.11**



```

module regn (D, Clock, Resetn, Q);
  parameter n = 16;
  input [n-1:0] D;
  input Clock, Resetn;
  output reg [n-1:0] Q;

  always @(negedge Resetn, posedge Clock)
    if (!Resetn)
      Q <= 0;
    else
      Q <= D;

endmodule

```

**Figure 5.46** Code for an  $n$ -bit register with asynchronous clear.

```

module muxdff (D0, D1, Sel, Clock, Q);
  input D0, D1, Sel, Clock;
  output reg Q;

  always @(posedge Clock)
    if (!Sel)
      Q <= D0;
    else
      Q <= D1;

endmodule

```

**Figure 5.47** Code for a D flip-flop with a 2-to-1 multiplexer on the D input.

```

module muxdff (D0, D1, Sel, Clock, Q);
  input D0, D1, Sel, Clock;
  output reg Q;

  wire D;
  assign D = Sel ? D1 : D0;

  always @(posedge Clock)
    Q <= D;

endmodule

```

**Figure 5.48** Alternative code for a D flip-flop with a 2-to-1 multiplexer on the D input.

```

module shift4 (R, L, w, Clock, Q);
  input [3:0] R;
  input L, w, Clock;
  output wire [3:0] Q;

  muxdff Stage3 (w, R[3], L, Clock, Q[3]);
  muxdff Stage2 (Q[3], R[2], L, Clock, Q[2]);
  muxdff Stage1 (Q[2], R[1], L, Clock, Q[1]);
  muxdff Stage0 (Q[1], R[0], L, Clock, Q[0]);

endmodule

```

**Figure 5.49** Hierarchical code for a four-bit shift register.

```

module shift4 (R, L, w, Clock, Q);
  input [3:0] R;
  input L, w, Clock;
  output reg [3:0] Q;

  always @(posedge Clock)
    if (L)
      Q <= R;
    else
      begin
        Q[0] <= Q[1];
        Q[1] <= Q[2];
        Q[2] <= Q[3];
        Q[3] <= w;
      end

endmodule

```

**Figure 5.50** Alternative code for a four-bit shift register.

---

**AN N-BIT SHIFT REGISTER** Figure 5.51 shows the code that can be used to represent shift registers of any size. The parameter  $n$ , which has the default value 16 in the figure, sets the number of flip-flops. The code is identical to that in Figure 5.50 with two exceptions. First,  $R$  and  $Q$  are defined in terms of  $n$ . Second, the **else** clause that describes the shifting operation is generalized to work for any number of flip-flops by using a **for** loop.

**Example 5.12**

---

```

module shiftn (R, L, w, Clock, Q);
  parameter n = 16;
  input [n-1:0] R;
  input L, w, Clock;
  output reg [n-1:0] Q;
  integer k;

  always @(posedge Clock)
    if (L)
      Q <= R;
    else
      begin
        for (k = 0; k < n-1; k = k+1)
          Q[k] <= Q[k+1];
        Q[n-1] <= w;
      end
endmodule

```

**Figure 5.51** An  $n$ -bit shift register.

```

module upcount (Resetn, Clock, E, Q);
  input Resetn, Clock, E;
  output reg [3:0] Q;

  always @(negedge Resetn, posedge Clock)
    if (!Resetn)
      Q <= 0;
    else if (E)
      Q <= Q + 1;
endmodule

```

**Figure 5.52** Code for a four-bit up-counter.

---

**Example 5.13 UP-COUNTER** Figure 5.52 represents a four-bit up-counter with a reset input, *Resetn*, and an enable input, *E*. The outputs of the flip-flops in the counter are represented by the vector named *Q*. The **if** statement specifies an asynchronous reset of the counter if *Resetn* = 0. The **else if** clause specifies that if *E* = 1 the count is incremented on the positive clock edge.

---

---

**UP-COUNTER WITH PARALLEL LOAD** The code in Figure 5.53 defines an up-counter that has a parallel-load input in addition to a reset input. The parallel data is provided as the input vector *R*. The first **if** statement provides the same asynchronous reset as in Figure 5.52. The **else if** clause specifies that if  $L = 1$  the flip-flops in the counter are loaded in parallel from the *R* inputs on the positive clock edge. If  $L = 0$ , the count is incremented, under control of the enable input *E*. **Example 5.14**

---

**DOWN-COUNTER WITH PARALLEL LOAD** Figure 5.54 shows the code for a down-counter named *downcount*. A down-counter is normally used by loading it with some starting count and then decrementing its contents. The starting count is represented in the code by the vector *R*. On the positive clock edge, if  $L = 1$  the counter is loaded with the input *R*, and if  $L = 0$  the count is decremented, under control of the enable input *E*. **Example 5.15**

---

**UP/DOWN COUNTER** Verilog code for an up/down counter is given in Figure 5.55. This module combines the capabilities of the counters defined in Figures 5.53 and 5.54. It includes a control signal *up\_down* that governs the direction of counting. **Example 5.16**

---

```

module upcount (R, Resetn, Clock, E, L, Q);
  input [3:0] R;
  input Resetn, Clock, E, L;
  output reg [3:0] Q;

  always @(negedge Resetn, posedge Clock)
    if (!Resetn)
      Q <= 0;
    else if (L)
      Q <= R;
    else if (E)
      Q <= Q + 1;

endmodule

```

**Figure 5.53** A four-bit up-counter with a parallel load.

```

module downcount (R, Clock, E, L, Q);
  parameter n = 8;
  input [n-1:0] R;
  input Clock, L, E;
  output reg [n-1:0] Q;

  always @(posedge Clock)
    if (L)
      Q <= R;
    else if (E)
      Q <= Q - 1;

endmodule

```

**Figure 5.54** A down-counter with a parallel load.

```

module updowncount (R, Clock, L, E, up_down, Q);
  parameter n = 8;
  input [n-1:0] R;
  input Clock, L, E, up_down;
  output reg [n-1:0] Q;

  always @(posedge Clock)
    if (L)
      Q <= R;
    else if (E)
      Q <= Q + (up_down ? 1 : -1);

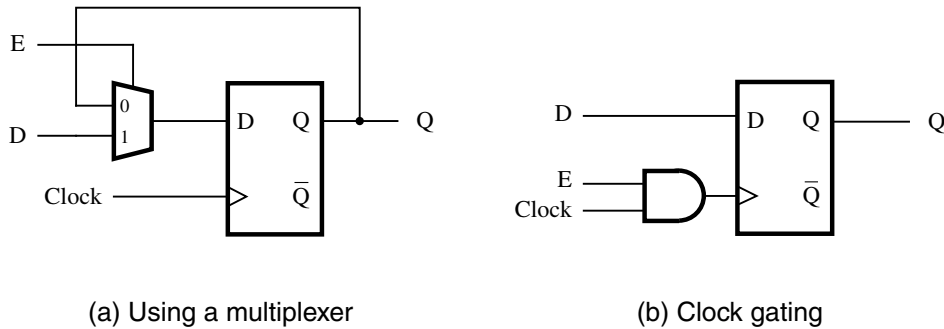
endmodule

```

**Figure 5.55** Code for an up/down counter.

### 5.13.1 FLIP-FLOPS AND REGISTERS WITH ENABLE INPUTS

We showed in Figures 5.22 and 5.23 how an enable input can be used in counter circuits to be able to prevent the flip-flops from toggling when an active clock edge occurs. It is also useful in many other types of circuits to be able to prevent the data stored in flip-flops from changing when an active clock edge occurs. For D flip-flops, this capability can be provided by adding a multiplexer to the flip-flop, as shown in Figure 5.56a. When  $E = 0$ , the flip-flop output cannot change, because the multiplexer connects  $Q$  to the input of the



**Figure 5.56** Providing an enable input for a D flip-flop.

```

module rege (D, Clock, Resetn, E, Q);
  input D, Clock, Resetn, E;
  output reg Q;

  always @(posedge Clock, negedge Resetn)
    if (Resetn == 0)
      Q <= 0;
    else if (E)
      Q <= D;

endmodule

```

**Figure 5.57** Code for a D flip-flop with enable.

flip-flop. But if  $E = 1$ , then the multiplexer allows new data to be loaded into the flip-flop from the  $D$  input. Instead of using the multiplexer shown in the figure, another way to implement the enable feature is to use a two-input AND gate as illustrated in Figure 5.56b. Then setting  $E = 0$  prevents the clock signal from reaching the flip-flop's clock input. This method seems simpler than the multiplexer approach, but we will show in Section 5.15 that it can cause problems in practical operation. We will prefer the multiplexer-based approach over gating the clock with an AND gate.

Verilog code for a D flip-flop with an asynchronous reset input and an enable input is given in Figure 5.57. After first specifying the reset condition, the **always** block uses an **else if** clause to ensure that the data stored in the flip-flop can change only when  $E = 1$ . We can extend the enable capability to registers with  $n$  bits by using  $n$  2-to-1 multiplexers controlled by  $E$ , as shown in Figure 5.58. The multiplexer for each flip-flop,  $i$ , selects either the external data bit,  $R_i$ , or the flip-flop's output,  $Q_i$ .

```

module regne (R, Clock, Resetn, E, Q);
  parameter n = 8;
  input [n-1:0] R;
  input Clock, Resetn, E;
  output reg [n-1:0] Q;

  always @(posedge Clock, negedge Resetn)
    if (Resetn == 0)
      Q <= 0;
    else if (E)
      Q <= R;

endmodule

```

**Figure 5.58** An  $n$ -bit register with an enable input.

### 5.13.2 SHIFT REGISTERS WITH ENABLE INPUTS

It is useful to be able to inhibit the shifting operation in a shift register by using an enable input,  $E$ . We showed in Figure 5.18 that shift registers can be constructed with a parallel-load capability, which is implemented using a multiplexer. Figure 5.59 shows how the enable feature can be added by using an additional multiplexer. If the parallel-load control input,  $L$ , is 1, the flip-flops are loaded in parallel. If  $L = 0$ , the additional multiplexer selects new data to be loaded into the flip-flops only if the enable  $E$  is 1.

Verilog code that represents the circuit in Figure 5.59 is given in Figure 5.60. When  $L = 1$ , the register is loaded in parallel from the  $R$  input. When  $L = 0$  and  $E = 1$ , the data in the shift register is shifted in a left-to-right direction.

---

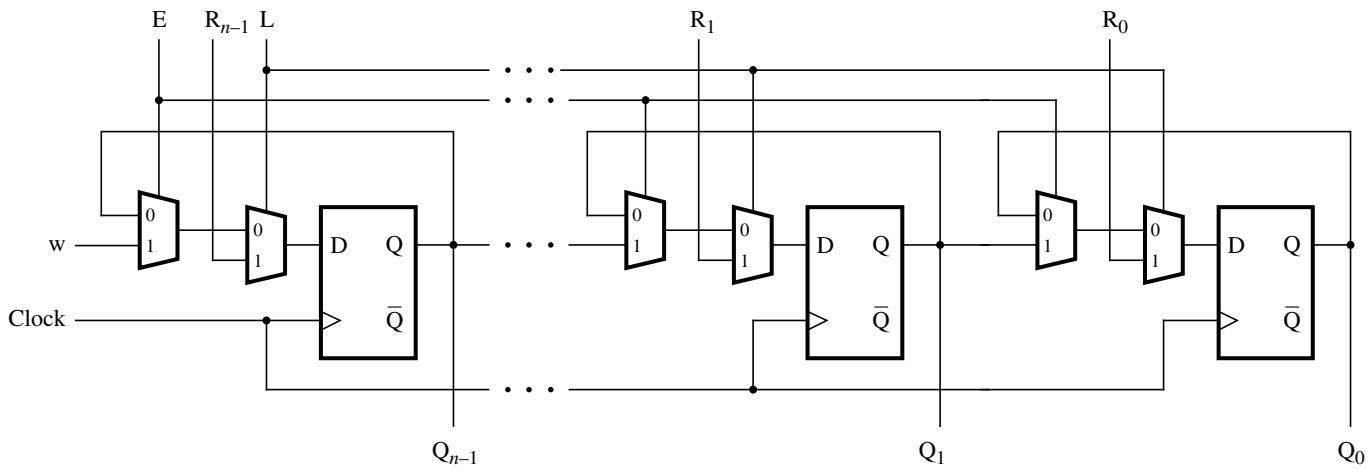
## 5.14 DESIGN EXAMPLE

This section presents an example of a digital system that makes use of some of the building blocks described in this chapter and in Chapter 4.

### 5.14.1 REACTION TIMER

Electronic devices operate at remarkably fast speeds, with the typical delay through a logic gate being less than 1 ns. In this example we use a logic circuit to measure the speed of a much slower type of device—a person.

We will design a circuit that can be used to measure the reaction time of a person to a specific event. The circuit turns on a small light, called a *light-emitting diode (LED)*. In response to the LED being turned on, the person attempts to press a switch as quickly as



**Figure 5.59** A shift register with parallel-load and enable control inputs.



```

module shiftrne (R, L, E, w, Clock, Q);
  parameter n = 4;
  input [n-1:0] R;
  input L, E, w, Clock;
  output reg [n-1:0] Q;
  integer k;

  always @(posedge Clock)
  begin
    if (L)
      Q <= R;
    else if (E)
      begin
        Q[n-1] <= w;
        for (k = n-2; k >= 0; k = k-1)
          Q[k] <= Q[k+1];
      end
    end
  end

endmodule

```

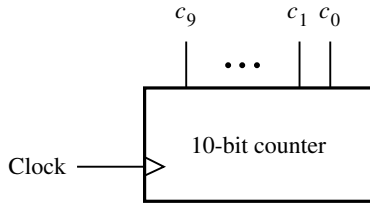
**Figure 5.60** A left-to-right shift register with an enable input.

possible. The circuit measures the elapsed time from when the LED is turned on until the switch is pressed.

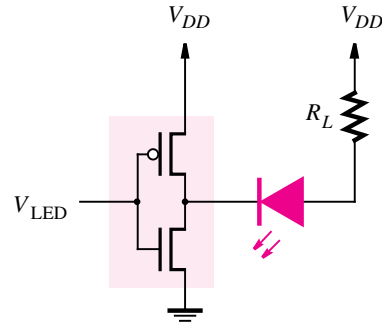
To measure the reaction time, a clock signal with an appropriate frequency is needed. In this example we use a 100 Hz clock, which measures time at a resolution of 1/100 of a second. The reaction time can then be displayed using two digits that represent fractions of a second from 00/100 to 99/100.

Digital systems often include high-frequency clock signals to control various subsystems. In this case assume the existence of an input clock signal with the frequency 102.4 kHz. From this signal we can derive the required 100 Hz signal by using a counter as a *clock divider*. A timing diagram for a four-bit counter is given in Figure 5.21. It shows that the least-significant bit output,  $Q_0$ , of the counter is a periodic signal with half the frequency of the clock input. Hence we can view  $Q_0$  as dividing the clock frequency by two. Similarly, the  $Q_1$  output divides the clock frequency by four. In general, output  $Q_i$  in an  $n$ -bit counter divides the clock frequency by  $2^{i+1}$ . In the case of our 102.4 kHz clock signal, we can use a 10-bit counter, as shown in Figure 5.61*b*. The counter output  $c_9$  has the required 100 Hz frequency because  $102400 \text{ Hz}/1024 = 100 \text{ Hz}$ .

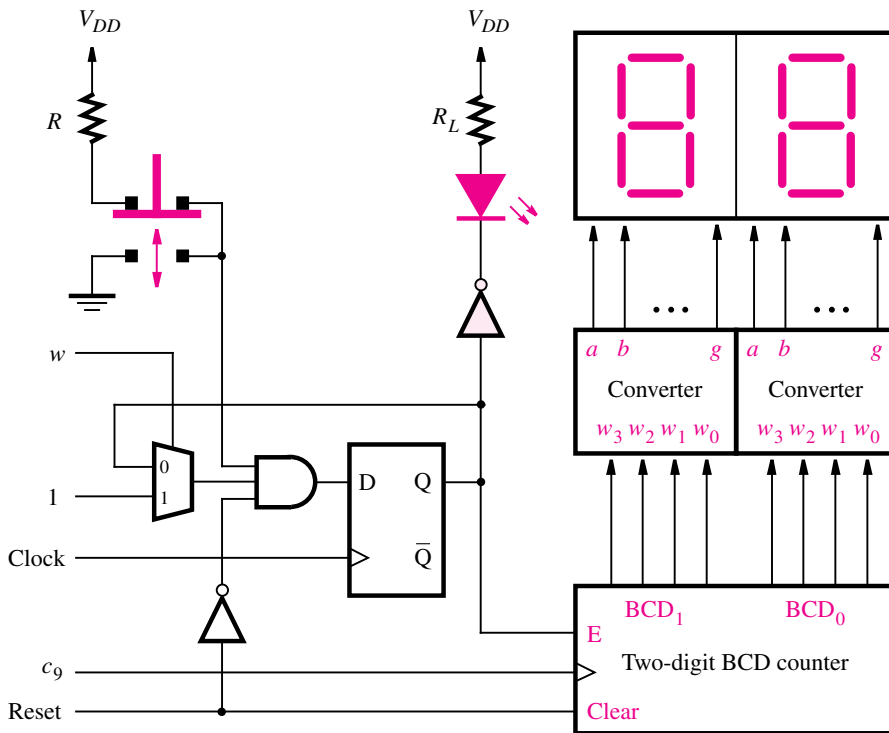
The reaction timer circuit has to be able to turn an LED on and off. The graphical symbol for an LED is shown in blue in Figure 5.61*b*. Small blue arrows in the symbol represent the light that is emitted when the LED is turned on. The LED has two terminals: the one on the left in the figure is the *cathode*, and the terminal on the right is the *anode*.



(a) Clock divider



(b) LED circuit



(c) Push-button switch, LED, and 7-segment displays

**Figure 5.61** A reaction-timer circuit.

To turn the LED on, the cathode has to be set to a sufficiently lower voltage than the anode, which causes a current to flow through the LED. If the voltages on its two terminals are equal, the LED is off.

Figure 5.61*b* shows one way to control the LED, using an inverter. If the input voltage  $V_{LED} = 0$ , then the voltage at the cathode is equal to  $V_{DD}$ ; hence the LED is off. But if  $V_{LED} = V_{DD}$ , the cathode voltage is 0 V and the LED is on. The amount of current that flows is limited by the value of the resistor  $R_L$ . This current flows through the LED and the inverter. Since the current flows *into* the inverter, we say that the inverter *sinks* the current. The maximum current that a logic gate can sink without sustaining permanent damage is usually called  $I_{OL}$ , which stands for the “maximum current when the output is low.” The value of  $R_L$  is chosen such that the current is less than  $I_{OL}$ . As an example assume that the inverter is implemented inside a chip for which the value of  $I_{OL}$  specified in the data sheet for the chip is 12 mA. For  $V_{DD} = 5$  V, this leads to  $R_L \approx 450 \Omega$  because  $5 \text{ V}/450 \Omega = 11 \text{ mA}$  (there is actually a small voltage drop across the LED when it is turned on, but we ignore this for simplicity). The amount of light emitted by the LED is proportional to the current flow. If 11 mA is insufficient, then the inverter should be implemented in a driver chip, like those described in Appendix B, because drivers provide a higher value of  $I_{OL}$ .

The complete reaction-timer circuit is illustrated in Figure 5.61*c*, with the inverter from part (*b*) shaded in grey. The graphical symbol for a push-button switch is shown in the top left of the diagram. The switch normally makes contact with the top terminals, as depicted in the figure. When depressed, the switch makes contact with the bottom terminals; when released, it automatically springs back to the top position. In the figure the switch is connected such that it normally produces a logic value of 1, and it produces a 0 pulse when pressed.

When depressed, the push-button switch causes the D flip-flop to be synchronously reset. The output of this flip-flop determines whether the LED is on or off, and it also provides the count enable input to a two-digit BCD counter. As discussed in Section 5.11, each digit in a BCD counter has four bits that take the values 0000 to 1001. Thus the counting sequence can be viewed as decimal numbers from 00 to 99. A circuit for the BCD counter is given in Figure 5.27. Each digit in the counter is connected through a code converter to a 7-segment display, which we described in the discussion for Figure 2.63. In Figure 5.61*c* the counter is clocked by the  $c_9$  output of the clock divider in part (*a*) of the figure. The intended use of the reaction-timer circuit is to first assert the *Reset* input to clear the flip-flop and thus turn off the LED and disable the counter. Asserting the *Reset* input also clears the contents of the counter to 00. The input  $w$  normally has the value 0, which keeps the flip-flop cleared and prevents the count value from changing. The reaction test is initiated by setting  $w = 1$  for one  $c_9$  clock cycle. After the next positive edge of the clock, the flip-flop output becomes a 1, which turns on the LED. We assume that  $w$  returns to 0 after one  $c_9$  clock cycle, but the flip-flop output remains at 1 because of the 2-to-1 multiplexer connected to the *D* input. The counter is then incremented every 1/100 of a second. When the user depresses the switch, the flip-flop is cleared, which turns off the LED and stops the counter. The two-digit display shows the elapsed time to the nearest 1/100 of a second from when the LED was turned on until the user was able to respond by depressing the switch.

### Verilog Code

To describe the circuit in Figure 5.61c using Verilog code, we can make use of subcircuits for the BCD counter and the 7-segment code converter. Code for the BCD counter, which represents the circuit in Figure 5.27, is shown in Figure 5.62. The two-digit BCD output is represented by the 2 four-bit signals *BCD1* and *BCD0*. The *Clear* input provides a synchronous reset for both digits in the counter. If  $E = 1$ , the count value is incremented on the positive clock edge; and if  $E = 0$ , the count value is unchanged. Each digit can take the values from 0000 to 1001. Figure 5.63 gives the code for the BCD-to-7-segment decoder.

Figure 5.64 shows the code for the reaction timer. The input signal *Pushn* represents the value produced by the push-button switch. The output signal *LEDn* represents the output of the inverter that is used to control the LED. The two 7-segment displays are controlled by the seven-bit signals *Digit1* and *Digit0*.

The flip-flop in Figure 5.61c is loaded with the value 1 if  $w = 1$ , but if  $w = 0$  the stored value in the flip-flop is not changed. This circuit is described by the **always** block in Figure 5.64, which also includes a synchronous reset input; the reset is activated if either

```

module BCDcount (Clock, Clear, E, BCD1, BCD0);
  input Clock, Clear, E;
  output reg [3:0] BCD1, BCD0;

  always @(posedge Clock)
  begin
    if (Clear)
      begin
        BCD1 <= 0;
        BCD0 <= 0;
      end
    else if (E)
      if (BCD0 == 4'b1001)
        begin
          BCD0 <= 0;
          if (BCD1 == 4'b1001)
            BCD1 <= 0;
          else
            BCD1 <= BCD1 + 1;
        end
      else
        BCD0 <= BCD0 + 1;
    end
  end
endmodule

```

**Figure 5.62** Code for the two-digit BCD counter in Figure 5.27.

```

module seg7 (bcd, leds);
  input [3:0] bcd;
  output reg [1:7] leds;

  always @(bcd)
    case (bcd) //abcdefg
      0: leds = 7'b1111110;
      1: leds = 7'b0110000;
      2: leds = 7'b1101101;
      3: leds = 7'b1111001;
      4: leds = 7'b0110011;
      5: leds = 7'b1011011;
      6: leds = 7'b1011111;
      7: leds = 7'b1110000;
      8: leds = 7'b1111111;
      9: leds = 7'b1111011;
      default: leds = 7'bx;
    endcase

endmodule

```

**Figure 5.63** Code for the BCD-to-7-segment decoder.

```

module reaction (Clock, Reset, c9, w, Pushn, LEDn, Digit1, Digit0);
  input Clock, Reset, c9, w, Pushn;
  output wire LEDn;
  output wire [1:7] Digit1, Digit0;
  reg LED;
  wire [3:0] BCD1, BCD0;

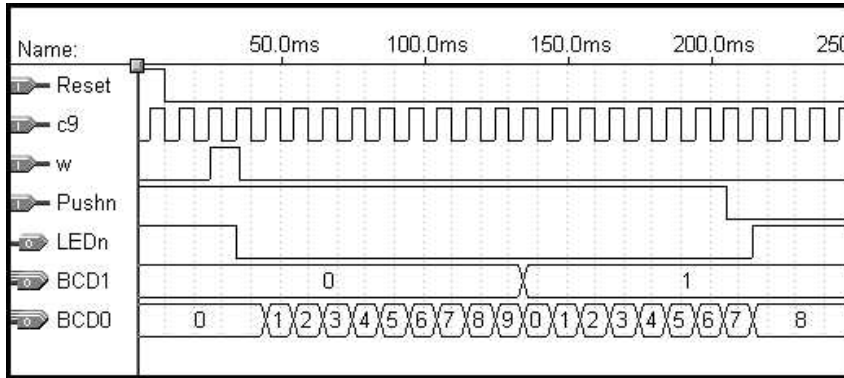
  always @(posedge Clock)
  begin
    if (!Pushn || Reset)
      LED <= 0;
    else if (w)
      LED <= 1;
  end

  assign LEDn = ~LED;
  BCDcount counter (c9, Reset, LED, BCD1, BCD0);
  seg7 seg1 (BCD1, Digit1);
  seg7 seg0 (BCD0, Digit0);

endmodule

```

**Figure 5.64** Code for the reaction timer.



**Figure 5.65** Simulation of the reaction timer circuit.

$Pushn = 0$  or  $Reset = 1$ . We have chosen to use a synchronous reset because the flip-flop output is connected to the enable input  $E$  on the BCD counter. As we know from the discussion in Section 5.3, it is important that all signals connected to flip-flops meet the required setup and hold times. The push-button switch can be pressed at any time and is not synchronized to the  $c_9$  clock signal. By using a synchronous reset for the flip-flop in Figure 5.61c, we avoid possible timing problems in the counter. Of course, the setup time of the flip-flop itself may become violated due to the asynchronous operation of the push-button switch. We show in Chapter 7 how this type of problem can be alleviated by adding extra flip-flops that are used to synchronize signals.

A simulation of the reaction-timer circuit implemented in a chip is shown in Figure 5.65. Initially,  $Reset$  is asserted to clear the the flip-flop and counter. When  $w$  changes to 1, the circuit sets  $LEDn$  to 0, which represents the LED being turned on. After some amount of time, the switch will be depressed. In the simulation we arbitrarily set  $Pushn$  to 0 after 18  $c_9$  clock cycles. Thus this choice represents the case when the person's reaction time is about 0.18 seconds. In human terms this duration is a very short time; for electronic circuits it is a very long time. An inexpensive personal computer can perform tens of millions of operations in 0.18 seconds!

### 5.14.2 REGISTER TRANSFER LEVEL (RTL) CODE

At this point, we have introduced most of the Verilog constructs that are needed for synthesis. Most of our examples give behavioral code, utilizing **if-else** statements, **case** statements, **for** loops, and other procedural statements. It is possible to write behavioral code in a style that resembles a computer program, in which there is a complex flow of control with many loops and branches. With such code, sometimes called *high-level* behavioral code, it is difficult to relate the code to the final hardware implementation; it may even be difficult to predict what circuit a high-level synthesis tool will produce. In this book we do not use the high-level style of code. Instead, we present Verilog code in such a way that the code can be easily related to the circuit that is being described. Most design modules presented are fairly small, to facilitate simple descriptions. Larger designs are built by interconnecting the smaller

modules. This approach is usually referred to as the *register-transfer level (RTL)* style of code. It is the most popular design method used in practice. RTL code is characterized by a straightforward flow of control through the code; it comprises well-understood subcircuits that are connected together in a simple way.

## 5.15 TIMING ANALYSIS OF FLIP-FLOP CIRCUITS

In Figure 5.14 we showed the timing parameters associated with a D flip-flop. A simple circuit that uses this flip-flop is given in Figure 5.66. We wish to calculate the maximum clock frequency,  $F_{max}$ , for which this circuit will operate properly, and also determine if the circuit suffers from any hold time violations. In the literature, this type of analysis of circuits is usually called *timing analysis*. We will assume that the flip-flop timing parameters have the values  $t_{su} = 0.6$  ns,  $t_h = 0.4$  ns, and  $0.8$  ns  $\leq t_{cQ} \leq 1.0$  ns. A range of minimum and maximum values is given for  $t_{cQ}$  because, as we mentioned in Section 5.4.4, this is the usual way of dealing with variations in delay that exist in integrated circuit chips.

To calculate the minimum period of the clock signal,  $T_{min} = 1/F_{max}$ , we need to consider all paths in the circuit that start and end at flip-flops. In this simple circuit there is only one such path, which starts when data is loaded into the flip-flop by a positive clock edge, propagates to the Q output after the  $t_{cQ}$  delay, propagates through the NOT gate, and finally must meet the setup requirement at the  $D$  input. Therefore

$$T_{min} = t_{cQ} + t_{NOT} + t_{su}$$

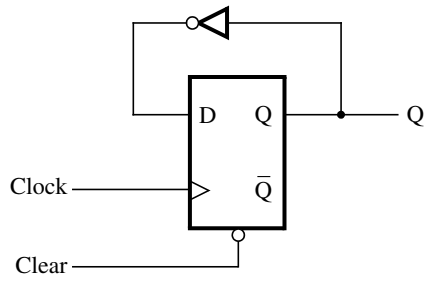
Since we are interested in the longest delay for this calculation, the maximum value of  $t_{cQ}$  should be used. For the calculation of  $t_{NOT}$  we will assume that the delay through any logic gate can be calculated as  $1 + 0.1k$ , where  $k$  is the number of inputs to the gate. For a NOT gate this gives 1.1 ns, which leads to

$$\begin{aligned} T_{min} &= 1.0 + 1.1 + 0.6 = 2.7 \text{ ns} \\ F_{max} &= 1/2.7 \text{ ns} = 370.37 \text{ MHz} \end{aligned}$$

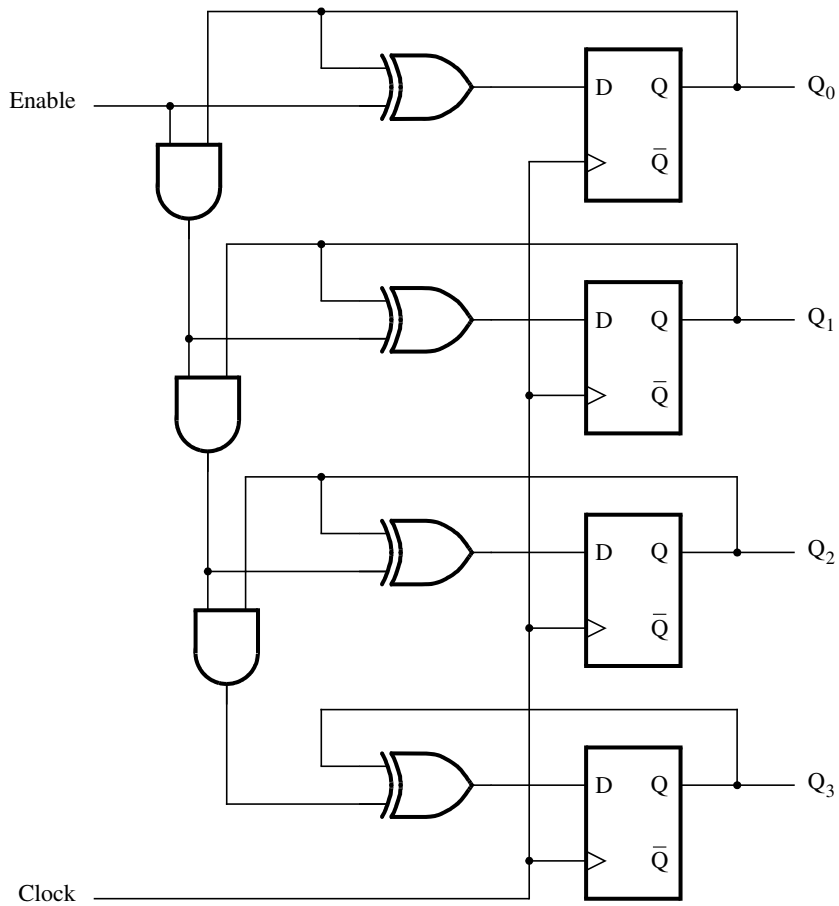
It is also necessary to check if there are any hold time violations in the circuit. In this case we need to examine the shortest possible delay from a positive clock edge to a change in the value of the  $D$  input. The delay is given by  $t_{cQ} + t_{NOT} = 0.8 + 1.1 = 1.9$  ns. Since  $1.9$  ns  $> t_h = 0.4$  ns there is no hold time violation.

As another example of timing analysis of flip-flop circuits, consider the counter circuit shown in Figure 5.67. We wish to calculate the maximum clock frequency for which this circuit will operate properly assuming the same flip-flop timing parameters as we did for Figure 5.66. We will again assume that the propagation delay through a logic gate can be calculated as  $1 + 0.1k$ .

There are many paths in this circuit that start and end at flip-flops. The longest such path starts at flip-flop  $Q_0$  and ends at flip-flop  $Q_3$ . The longest path in a circuit is often called a *critical path*. The delay of the critical path includes the clock-to-Q delay of flip-flop  $Q_0$ , the propagation delay through three AND gates, and one XOR-gate delay. We must also



**Figure 5.66** A simple flip-flop circuit.



**Figure 5.67** A 4-bit counter.



account for the setup time of flip-flop Q<sub>3</sub>. This gives

$$T_{min} = t_{cQ} + 3(t_{AND}) + t_{XOR} + t_{su}$$

Using the maximum value of  $t_{cQ}$  gives

$$T_{min} = 1.0 + 3(1.2) + 1.2 + 0.6 \text{ ns} = 6.4 \text{ ns}$$

$$F_{max} = 1/6.4 \text{ ns} = 156.25 \text{ MHz}$$

The shortest paths through the circuit are from each flip-flop to itself, through an XOR gate. The minimum delay along each such path is  $t_{cQ} + t_{XOR} = 0.8 + 1.2 = 2.0 \text{ ns}$ . Since  $2.0 \text{ ns} > t_h = 0.4 \text{ ns}$  there are no hold time violations.

### 5.15.1 TIMING ANALYSIS WITH CLOCK SKEW

In the above analysis we assumed that the clock signal arrived at exactly the same time at all four flip-flops. We will now repeat this analysis assuming that the clock signal still arrives at flip-flops Q<sub>0</sub>, Q<sub>1</sub>, and Q<sub>2</sub> simultaneously, but that there is a delay in the arrival of the clock signal at flip-flop Q<sub>3</sub>. Such a variation in the arrival time of a clock signal at different flip-flops is called *clock skew*,  $t_{skew}$ , and can be caused by a number of factors.

In Figure 5.67 the critical path through the circuit is from flip-flop Q<sub>0</sub> to Q<sub>3</sub>. However, the clock skew at Q<sub>3</sub> has the effect of reducing this delay, because it provides additional time before data is loaded into this flip-flop. Taking a clock skew of 1.5 ns into account, the delay of the path from flip-flop Q<sub>0</sub> to Q<sub>3</sub> is given by  $t_{cQ} + 3(t_{AND}) + t_{XOR} + t_{su} - t_{skew} = 6.4 - 1.5 \text{ ns} = 4.9 \text{ ns}$ . There is now a different critical path through the circuit, which starts at flip-flop Q<sub>0</sub> and ends at Q<sub>2</sub>. The delay of this path gives

$$\begin{aligned} T_{min} &= t_{cQ} + 2(t_{AND}) + t_{XOR} + t_{su} \\ &= 1.0 + 2(1.2) + 1.2 + 0.6 \text{ ns} \\ &= 5.2 \text{ ns} \end{aligned}$$

$$F_{max} = 1/5.2 \text{ ns} = 192.31 \text{ MHz}$$

In this case the clock skew results in an increase in the circuit's maximum clock frequency. But if the clock skew had been negative, which would be the case if the clock signal arrived earlier at flip-flop Q<sub>3</sub> than at other flip-flops, then the result would have been a reduced  $F_{max}$ .

Since the loading of data into flip-flop Q<sub>3</sub> is delayed by the clock skew, it has the effect of increasing the hold time requirement of this flip-flop to  $t_h + t_{skew}$ , for all paths that end at Q<sub>3</sub> but start at Q<sub>0</sub>, Q<sub>1</sub>, or Q<sub>2</sub>. The shortest such path in the circuit is from flip-flop Q<sub>2</sub> to Q<sub>3</sub> and has the delay  $t_{cQ} + t_{AND} + t_{XOR} = 0.8 + 1.2 + 1.2 = 3.2 \text{ ns}$ . Since  $3.2 \text{ ns} > t_h + t_{skew} = 1.9 \text{ ns}$  there is no hold time violation.

If we repeat the above hold time analysis for clock skew values  $t_{skew} \geq 3.2 - t_h = 2.8 \text{ ns}$ , then hold time violations will exist. Thus, if  $t_{skew} \geq 2.8 \text{ ns}$  the circuit will not work reliably at any clock frequency.

Consider the circuit in Figure 5.68. In this circuit, there is a path that starts at flip-flop  $Q_1$ , passes through some network of logic gates, and ends at the  $D$  input of flip-flop  $Q_2$ . As indicated in the figure, different delays may be incurred before the clock signal reaches the flip-flops. Let  $\Delta_1$  and  $\Delta_2$  be the clock-signal delays for flip-flops  $Q_1$  and  $Q_2$ , respectively. The clock skew between these two flip-flops is then defined as

$$t_{skew} = \Delta_2 - \Delta_1$$

Let the longest delay along the paths through the logic gates in the circuit be  $t_L$ . Then, the minimum allowable clock period for these two flip-flops is

$$T_{min} = t_{cQ} + t_L + t_{su} - t_{skew}$$

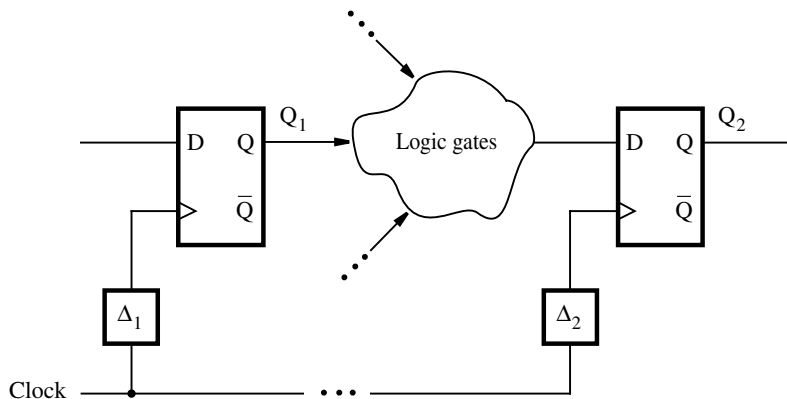
Thus, if  $\Delta_2 > \Delta_1$ , then  $t_{skew}$  allows for an increased value of  $F_{max}$ , but if  $\Delta_2 < \Delta_1$ , then the clock skew requires a decrease in  $F_{max}$ .

To calculate whether a hold time violation exists at flip-flop  $Q_2$  we need to determine the delay along the shortest path between the flip-flops. If the minimum delay through the logic gates in the circuit is  $t_l$ , then a hold time violation occurs if

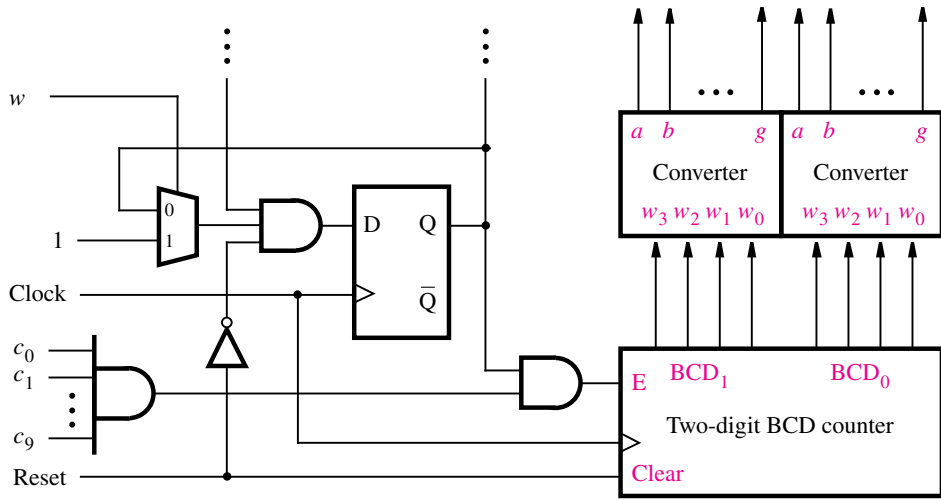
$$t_{cQ} + t_l < t_h + t_{skew}$$

Here, the hold-time constraint is more difficult to meet if  $\Delta_2 - \Delta_1 > 0$ , and it is less difficult to meet if  $\Delta_2 - \Delta_1 < 0$ .

The techniques described above for  $F_{max}$  and hold time analysis can be applied to any circuit in which the same, or related, clock signals are connected to all flip-flops. Consider again the reaction-timer circuit in Figure 5.61. The clock divider in part (a) of the figure generates the  $c_9$  signal, which drives the clock inputs of the flip-flops in the BCD counter.



**Figure 5.68** A general example of clock skew.



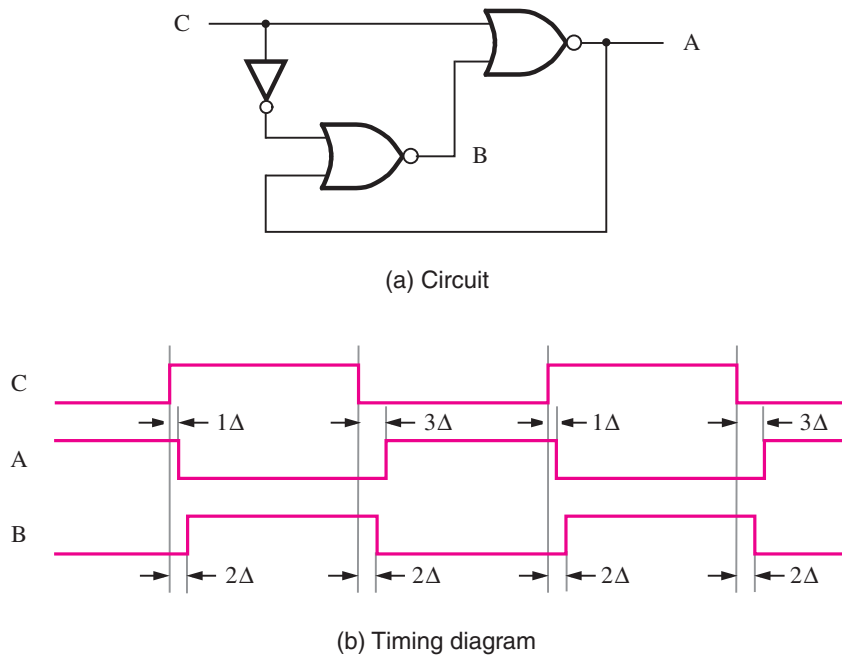
**Figure 5.69** A modified version of the reaction-timer circuit.

Since these paths start at the Q output of the  $c_9$  flip-flop but end at the clock inputs of other flip-flops, rather than at D inputs, the above timing analysis method cannot be applied. However, we could restructure the reaction-timer circuit as indicated in Figure 5.69. Instead of using  $c_9$  directly as a clock for the BCD counter, a ten-input AND gate is used to generate a signal that has the value 1 for only one of the 1024 count values from the clock divider. This signal is then ANDed with the control flip-flop output to cause the BCD counter to be incremented at the desired rate of 100 times per second.

In the circuit of Figure 5.69 all flip-flops are clocked directly by the *Clock* signal. Therefore, the  $F_{max}$  and hold time analysis can now be applied. In general, it is a good design approach for sequential circuits to connect the clock inputs of all flip-flops to a common clock. We discuss such issues in detail in Chapter 7.

## 5.16 CONCLUDING REMARKS

In this chapter we have presented circuits that serve as basic storage elements in digital systems. These elements are used to build larger units such as registers, shift registers, and counters. Many other texts that deal with this material are available [3–10]. We have illustrated how circuits with flip-flops can be described using Verilog code. More information on Verilog can be found in [11–18]. In the next chapter a more formal method for designing circuits with flip-flops will be presented.



**Figure 5.70** Circuit for Example 5.18.

## 5.17 EXAMPLES OF SOLVED PROBLEMS

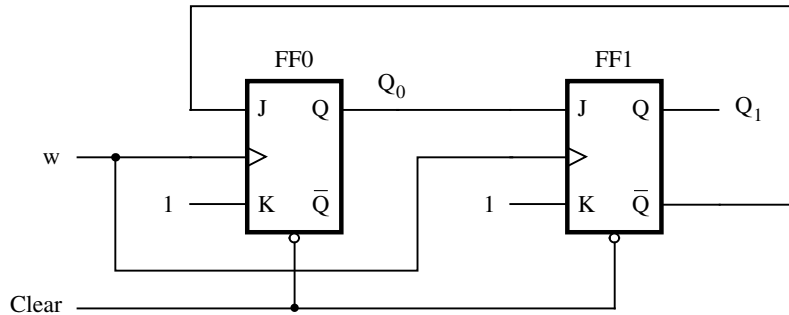
This section presents some typical problems that the reader may encounter, and shows how such problems can be solved.

**Problem:** Consider the circuit in Figure 5.70a. Assume that the input  $C$  is driven by a square wave signal with a 50% duty cycle. Draw a timing diagram that shows the waveforms at points  $A$  and  $B$ . Assume that the propagation delay through each gate is  $\Delta$  seconds. **Example 5.18**

**Solution:** The timing diagram is shown in Figure 5.70b.

**Problem:** Determine the functional behavior of the circuit in Figure 5.71. Assume that input  $w$  is driven by a square wave signal. **Example 5.19**

**Solution:** When both flip-flops are cleared, their outputs are  $Q_0 = Q_1 = 0$ . After the *Clear* input goes high, each pulse on the  $w$  input will cause a change in the flip-flops as indicated



**Figure 5.71** Circuit for Example 5.19.

Time interval	FF0			FF1		
	$J_0$	$K_0$	$Q_0$	$J_1$	$K_1$	$Q_1$
Clear	1	1	0	0	1	0
$t_1$	1	1	1	1	1	0
$t_2$	0	1	0	0	1	1
$t_3$	1	1	0	0	1	0
$t_4$	1	1	1	1	1	0

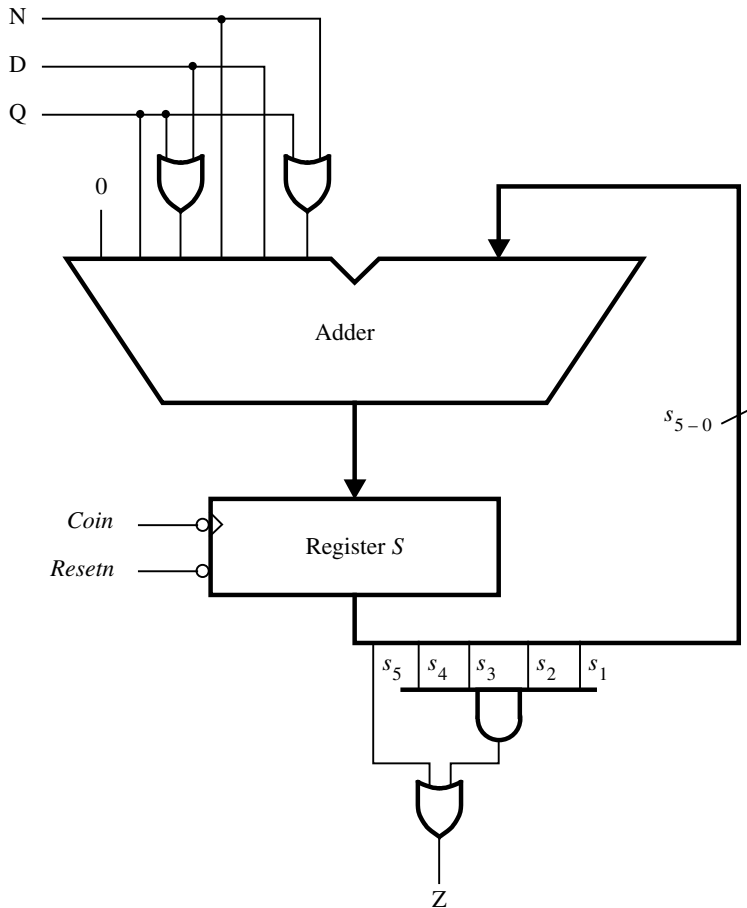
**Figure 5.72** Summary of the behavior of the circuit in Figure 5.71.

in Figure 5.72. Note that the figure shows the state of the signals after the changes caused by the rising edge of a pulse have taken place.

In consecutive time intervals the values of  $Q_1 Q_0$  are 00, 01, 10, 00, 01, and so on. Therefore, the circuit generates the counting sequence: 0, 1, 2, 0, 1, and so on. Hence, the circuit is a modulo-3 counter.

**Example 5.20 Problem:** Design a circuit that can be used to control a vending machine. The circuit has five inputs: Q (quarter), D (dime), N (nickel), *Coin*, and *Resetn*. When a coin is deposited in the machine, a coin-sensing mechanism generates a pulse on the appropriate input (Q, D, or N). To signify the occurrence of the event, the mechanism also generates a pulse on the line *Coin*. The circuit is reset by using the *Resetn* signal (active low). When at least 30 cents has been deposited, the circuit activates its output, Z. No change is given if the amount exceeds 30 cents.

Design the required circuit by using the following components: a six-bit adder, a six-bit register, and any number of AND, OR, and NOT gates.



**Figure 5.73** Circuit for Example 5.20.

**Solution:** Figure 5.73 gives a possible circuit. The value of each coin is represented by a corresponding five-bit number. It is added to the current total, which is held in register  $S$ . The required output is

$$Z = s_5 + s_4s_3s_2s_1$$

The register is clocked by the negative edge of the *Coin* signal. This allows for a propagation delay through the adder, and ensures that a correct sum will be placed into the register.

In Chapter 9 we will show how this type of control circuit can be designed using a more structured approach.

```

module vend (N, D, Q, Resetn, Coin, Z);
  input N, D, Q, Resetn, Coin;
  output Z;
  wire [4:0] X;
  reg [5:0] S;

  assign X[0] = N | Q;
  assign X[1] = D;
  assign X[2] = N;
  assign X[3] = D | Q;
  assign X[4] = Q;
  assign Z = S[5] | (S[4] & S[3] & S[2] & S[1]);

  always @(negedge Coin, negedge Resetn)
    if (Resetn == 1'b0)
      S <= 5'b00000;
    else
      S <= {1'b0, X} + S;

endmodule

```

**Figure 5.74** Code for Example 5.21.

---

**Example 5.21 Problem:** Write Verilog code to implement the circuit in Figure 5.73.

**Solution:** Figure 5.74 gives the desired code.

---

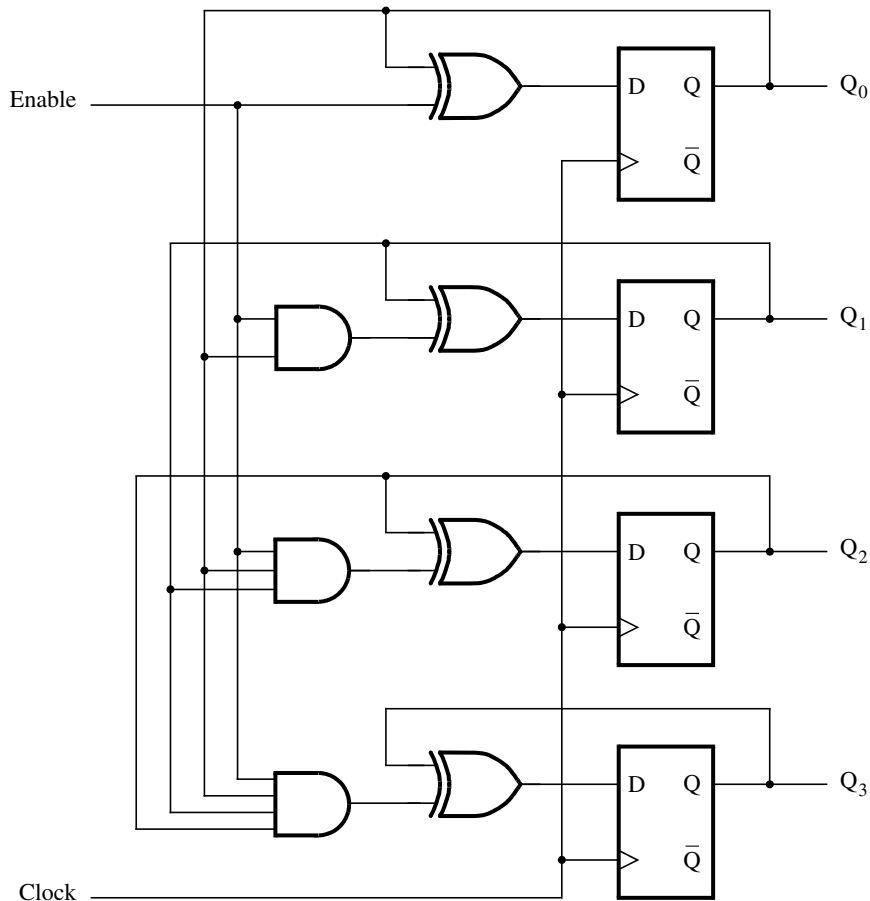
**Example 5.22 Problem:** In Section 5.15 we presented a timing analysis for the counter circuit in Figure 5.67. Redesign this circuit to reduce the logic delay between flip-flops, so that the circuit can operate at a higher maximum clock frequency.

**Solution:** As we showed in Section 5.15, the performance of the counter circuit is limited by the delay through its cascaded AND gates. To increase the circuit's performance we can refactor the AND gates as illustrated in Figure 5.75. The longest delay path in this redesigned circuit, which starts at flip-flop  $Q_0$  and ends at  $Q_3$ , provides the minimum clock period

$$\begin{aligned}
 T_{min} &= t_{cQ} + t_{AND} + t_{XOR} + t_{su} \\
 &= 1.0 + 1.4 + 1.2 + 0.6 \text{ ns} = 4.2 \text{ ns}
 \end{aligned}$$

The redesigned counter has a maximum clock frequency of  $F_{max} = 1/4.2 \text{ ns} = 238.1 \text{ MHz}$ , compared to the result for the original counter, which was 156.25 MHz.

---



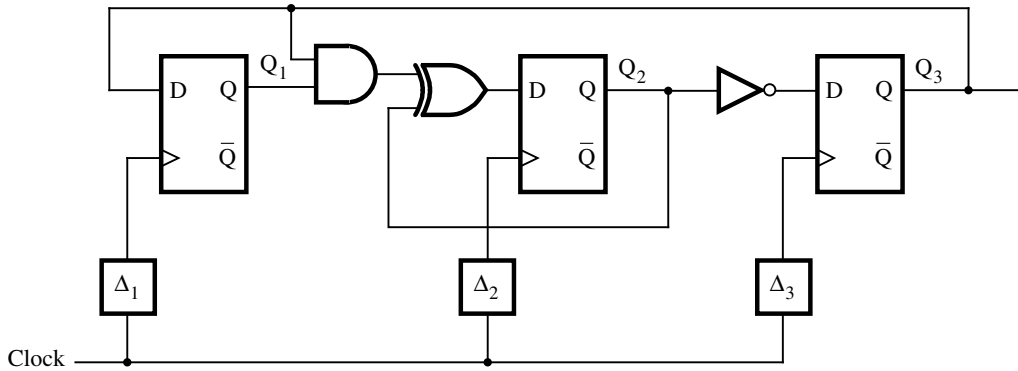
**Figure 5.75** A faster 4-bit counter.

**Problem:** In Example 5.17 we showed how to perform timing analysis when there may be different delays associated with the clock signal at each of the flip-flops in a circuit. The circuit in Figure 5.76 includes three flip-flops,  $Q_1$ ,  $Q_2$ , and  $Q_3$ , with corresponding clock delays  $\Delta_1$ ,  $\Delta_2$ , and  $\Delta_3$ . The flip-flop timing parameters are  $t_{su} = 0.6$  ns,  $t_h = 0.4$  ns, and  $0.8 \leq t_{cQ} \leq 1$  ns. Also, the delay through a logic gate is given by  $1 + 0.1k$ , where  $k$  is the number of inputs to the gate.

**Example 5.23**

Calculate the  $F_{max}$  for the circuit for the following sets of clock delays:  $\Delta_1 = \Delta_2 = \Delta_3 = 0$  ns;  $\Delta_1 = \Delta_3 = 0$  ns and  $\Delta_2 = 0.7$  ns;  $\Delta_1 = 1$  ns,  $\Delta_2 = 0$ , and  $\Delta_3 = 0.5$  ns. Also, determine if there are any hold time violations in the circuit for the sets of clock delays  $\Delta_1 = \Delta_2 = \Delta_3 = 0$  ns, and  $\Delta_1 = 1$  ns,  $\Delta_2 = 0$ ,  $\Delta_3 = 0.5$  ns.





**Figure 5.76** A circuit with clock skews.

**Solution:** For the values  $\Delta_1 = \Delta_2 = \Delta_3 = 0$ , there is no clock skew. Let the path delay between two flip-flops,  $Q_i$  and  $Q_j$ , be  $T_{Q_i \rightarrow Q_j}$ . The longest path delays are calculated by including the maximum value of  $t_{cQ}$  at flip-flop  $Q_i$ , and the setup time at flip-flop  $Q_j$ , as follows

$$T_{Q_1 \rightarrow Q_2} = t_{cQ} + t_{XOR} + t_{AND} + t_{su} = 1 + 1.2 + 1.2 + 0.6 = 4 \text{ ns}$$

$$T_{Q_2 \rightarrow Q_2} = t_{cQ} + t_{AND} + t_{su} = 1 + 1.2 + 0.6 = 2.8 \text{ ns}$$

$$T_{Q_2 \rightarrow Q_3} = t_{cQ} + t_{NOT} + t_{su} = 1 + 1.1 + 0.6 = 2.7 \text{ ns}$$

$$T_{Q_3 \rightarrow Q_1} = t_{cQ} + t_{su} = 1 + 0.6 = 1.6 \text{ ns}$$

$$T_{Q_3 \rightarrow Q_2} = t_{cQ} + t_{XOR} + t_{AND} + t_{su} = 1 + 1.2 + 1.2 + 0.6 = 4 \text{ ns}$$

Since the critical path delay  $T_{Q_1 \rightarrow Q_2} = T_{Q_3 \rightarrow Q_2} = 4 \text{ ns}$ , then  $F_{max} = 1/(4 \times 10^{-9}) = 250 \text{ MHz}$ .

For the values  $\Delta_1 = \Delta_3 = 0$ , and  $\Delta_2 = 0.7 \text{ ns}$ , there is clock skew for the paths between flip-flops  $Q_1$  and  $Q_2$ , as well as  $Q_3$  and  $Q_2$ . Adjusting the longest delays calculated above to account for clock skew, we have

$$T_{Q_1 \rightarrow Q_2} = 4 - t_{skew} = 4 - (\Delta_2 - \Delta_1) = 4 - 0.7 = 3.3 \text{ ns}$$

$$T_{Q_2 \rightarrow Q_3} = 2.7 - t_{skew} = 2.7 - (\Delta_3 - \Delta_2) = 2.7 - (0 - 0.7) = 3.4 \text{ ns}$$

$$T_{Q_3 \rightarrow Q_2} = 4 - t_{skew} = 4 - (\Delta_2 - \Delta_3) = 4 - 0.7 = 3.3 \text{ ns}$$

The critical path delay now starts at flip-flop  $Q_2$  and ends at flip-flop  $Q_3$ . Since  $T_{Q_2 \rightarrow Q_3} = 3.4 \text{ ns}$ , then  $F_{max} = 1/(3.4 \times 10^{-9}) = 294 \text{ MHz}$ .

For the values  $\Delta_1 = 1$ ,  $\Delta_2 = 0$ , and  $\Delta_3 = 0.5 \text{ ns}$ , there is clock skew for the paths between all flip-flops. Adjusting the longest delays calculated for the case with no clock skew, we have

$$T_{Q_1 \rightarrow Q_2} = 4 - t_{skew} = 4 - (\Delta_2 - \Delta_1) = 4 - (0 - 1) = 5 \text{ ns}$$

$$T_{Q_2 \rightarrow Q_3} = 2.7 - t_{skew} = 2.7 - (\Delta_3 - \Delta_2) = 2.7 - (0.5) = 2.2 \text{ ns}$$

$$T_{Q_3 \rightarrow Q_1} = 1.6 - t_{skew} = 1.6 - (\Delta_1 - \Delta_3) = 1.6 - (1 - 0.5) = 1.1 \text{ ns}$$

$$T_{Q_3 \rightarrow Q_2} = 4 - t_{skew} = 4 - (\Delta_2 - \Delta_3) = 4 - (0 - 0.5) = 4.5 \text{ ns}$$

The critical path delay is from flip-flop  $Q_1$  to flip-flop  $Q_2$ . Since  $T_{Q_1 \rightarrow Q_2} = 5$  ns, then  $F_{max} = 1/(5 \times 10^{-9}) = 200$  MHz.

To determine whether any hold time violations exist, we need to calculate the shortest path delays, using the minimum value of  $t_{cQ}$ . For  $\Delta_1 = \Delta_2 = \Delta_3 = 0$ , we have

$$T_{Q_1 \rightarrow Q_2} = t_{cQ} + t_{XOR} + t_{AND} = 0.8 + 1.2 + 1.2 = 3.2 \text{ ns}$$

$$T_{Q_2 \rightarrow Q_2} = t_{cQ} + t_{AND} = 0.8 + 1.2 = 2 \text{ ns}$$

$$T_{Q_2 \rightarrow Q_3} = t_{cQ} + t_{NOT} = 0.8 + 1.1 = 1.9 \text{ ns}$$

$$T_{Q_3 \rightarrow Q_1} = t_{cQ} = 0.8 \text{ ns}$$

$$T_{Q_3 \rightarrow Q_2} = t_{cQ} + t_{XOR} + t_{AND} = 0.8 + 1.2 + 1.2 = 3.2 \text{ ns}$$

Since the shortest path delay  $T_{Q_3 \rightarrow Q_1} = 0.8$  ns  $> t_h$ , there is no hold time violation in the circuit.

We showed in Section 5.15 that if the shortest path delay through a circuit is called  $T_l$ , then a hold time violation occurs if  $T_l - t_{skew} < t_h$ . Adjusting the shortest path delays calculated above for the values  $\Delta_1 = 1$ ,  $\Delta_2 = 0$ , and  $\Delta_3 = 0.5$  gives

$$T_{Q_1 \rightarrow Q_2} = 3.2 - t_{skew} = 3.2 - (\Delta_2 - \Delta_1) = 3.2 - (0 - 1) = 4.2 \text{ ns}$$

$$T_{Q_2 \rightarrow Q_3} = 1.9 - t_{skew} = 1.9 - (\Delta_3 - \Delta_2) = 1.9 - 0.5 = 1.4 \text{ ns}$$

$$T_{Q_3 \rightarrow Q_1} = 0.8 - t_{skew} = 0.8 - (\Delta_1 - \Delta_3) = 0.8 - (1 - 0.5) = 0.3 \text{ ns}$$

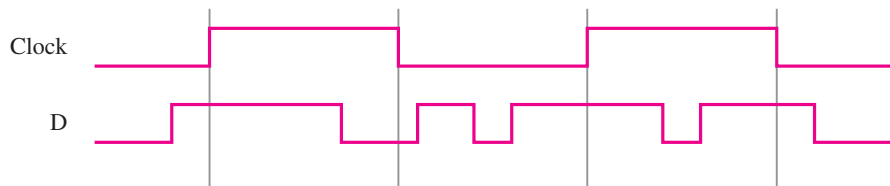
$$T_{Q_3 \rightarrow Q_2} = 3.2 - t_{skew} = 3.2 - (\Delta_2 - \Delta_3) = 3.2 - (0 - 0.5) = 3.7 \text{ ns}$$

The shortest path delay is  $T_{Q_3 \rightarrow Q_1} = 0.3$  ns  $< t_h$ , which represents a hold time violation. Hence, the circuit may not function reliably regardless of the frequency of the clock signal.

## PROBLEMS

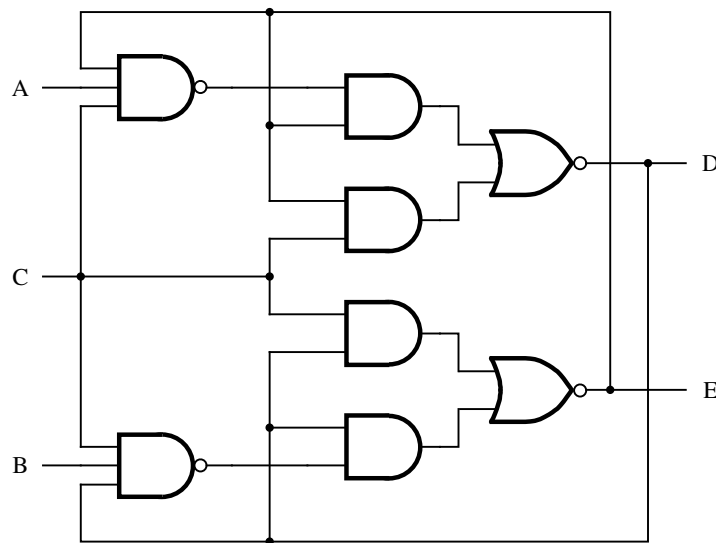
Answers to problems marked by an asterisk are given at the back of the book.

- 5.1** Consider the timing diagram in Figure P5.1. Assuming that the  $D$  and  $Clock$  inputs shown are applied to the circuit in Figure 5.10, draw waveforms for the  $Q_a$ ,  $Q_b$ , and  $Q_c$  signals.



**Figure P5.1** Timing diagram for Problem 5.1.

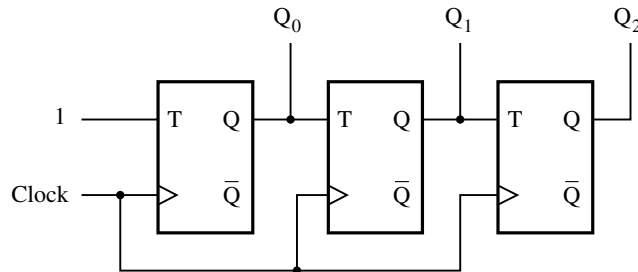
- 5.2** Figure 5.4 shows a latch built with NOR gates. Draw a similar latch using NAND gates. Derive its characteristic table and show its timing diagram.
- \*5.3** Show a circuit that implements the gated SR latch using NAND gates only.
- 5.4** Given a 100-MHz clock signal, derive a circuit using D flip-flops to generate 50-MHz and 25-MHz clock signals. Draw a timing diagram for all three clock signals, assuming reasonable delays.
- \*5.5** An SR flip-flop is a flip-flop that has set and reset inputs like a gated SR latch. Show how an SR flip-flop can be constructed using a D flip-flop and other logic gates.
- 5.6** The gated SR latch in Figure 5.5a has unpredictable behavior if the  $S$  and  $R$  inputs are both equal to 1 when the  $Clk$  changes to 0. One way to solve this problem is to create a *set-dominant* gated SR latch in which the condition  $S = R = 1$  causes the latch to be set to 1. Design a set-dominant gated SR latch and show the circuit.
- 5.7** Show how a JK flip-flop can be constructed using a T flip-flop and other logic gates.
- \*5.8** Consider the circuit in Figure P5.2. Assume that the two NAND gates have much longer (about four times) propagation delay than the other gates in the circuit. How does this circuit compare with the circuits that we discussed in this chapter?



**Figure P5.2** Circuit for Problem 5.8.

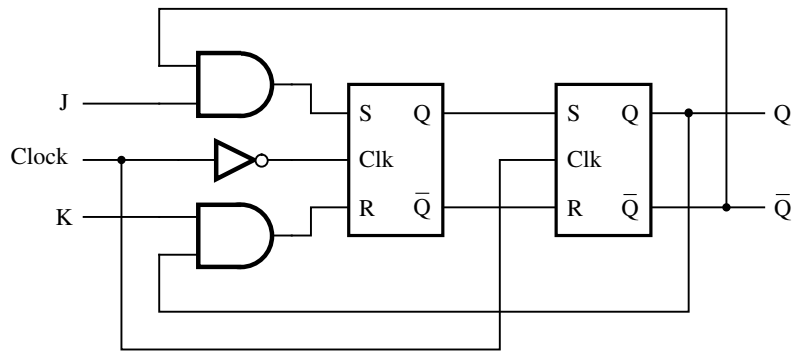
- 5.9** Write Verilog code that represents a T flip-flop with an asynchronous clear input. Use behavioral code, rather than structural code.
- 5.10** Write Verilog code that represents a JK flip-flop. Use behavioral code, rather than structural code.

- 5.11** Synthesize a circuit for the code written for Problem 5.10 by using your CAD tools. Simulate the circuit and show a timing diagram that verifies the desired functionality.
- 5.12** A universal shift register can shift in both the left-to-right and right-to-left directions, and it has parallel-load capability. Draw a circuit for such a shift register.
- 5.13** Write Verilog code for a universal shift register with  $n$  bits.
- 5.14** Design a four-bit synchronous counter with parallel load. Use T flip-flops, instead of the D flip-flops used in Section 5.9.3.
- \*5.15** Design a three-bit up/down counter using T flip-flops. It should include a control input called  $\overline{Up}/Down$ . If  $\overline{Up}/Down = 0$ , then the circuit should behave as an up-counter. If  $\overline{Up}/Down = 1$ , then the circuit should behave as a down-counter.
- 5.16** Repeat Problem 5.15 using D flip-flops.
- \*5.17** The circuit in Figure P5.3 looks like a counter. What is the counting sequence of this circuit?



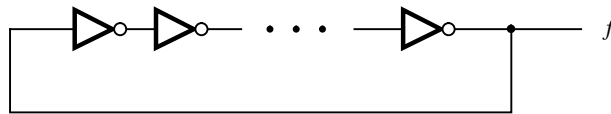
**Figure P5.3** The circuit for Problem 5.17.

- 5.18** Consider the circuit in Figure P5.4. How does this circuit compare with the circuit in Figure 5.16? Can the circuits be used for the same purposes? If not, what is the key difference between them?



**Figure P5.4** Circuit for Problem 5.18.

- 5.19** Construct a NOR-gate circuit, similar to the one in Figure 5.11a, which implements a negative-edge-triggered D flip-flop.
- 5.20** Write Verilog code that represents a modulo-12 up-counter with synchronous reset.
- \*5.21** For the flip-flops in the counter in Figure 5.24, assume that  $t_{su} = 3$  ns,  $t_h = 1$  ns, and the propagation delay through a flip-flop is 1 ns. Assume that each AND gate, XOR gate, and 2-to-1 multiplexer has the propagation delay equal to 1 ns. What is the maximum clock frequency for which the circuit will operate correctly?
- 5.22** Write Verilog code that represents an eight-bit Johnson counter. Synthesize the code with your CAD tools and give a timing simulation that shows the counting sequence.
- 5.23** Write Verilog code in the style shown in Figure 5.51 that represents a ring counter. Your code should have a parameter  $n$  that sets the number of flip-flops in the counter.
- 5.24** A ring oscillator is a circuit that has an odd number,  $n$ , of inverters connected in a ringlike structure, as shown in Figure P5.5. The output of each inverter is a periodic signal with a certain period.



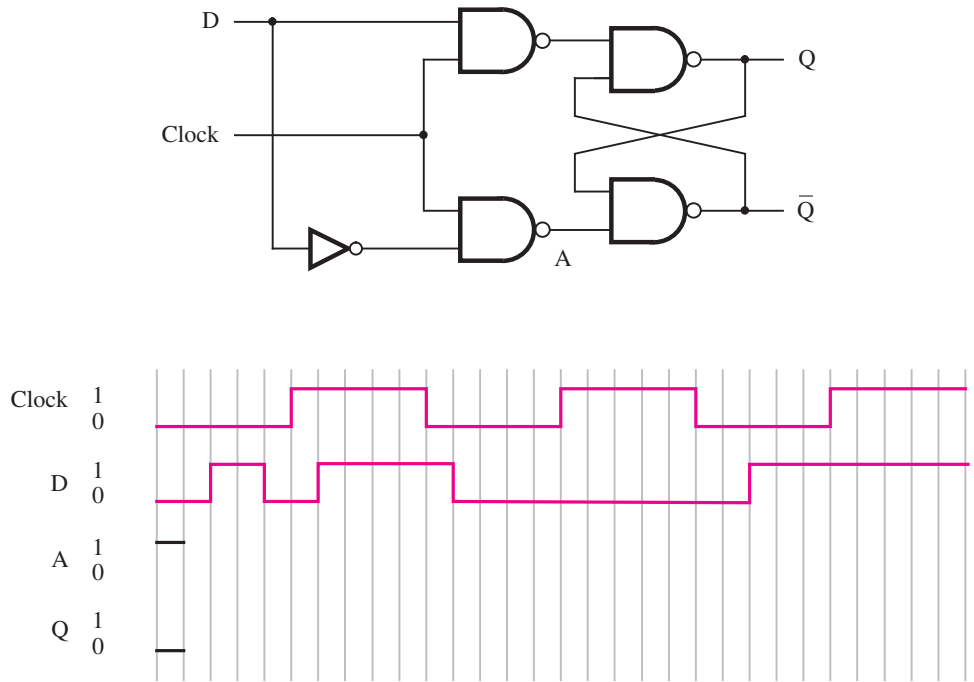
**Figure P5.5** A ring oscillator.

- (a) Assume that all the inverters are identical; hence they all have the same delay, called  $t_p$ . Let the output of one of the inverters be named  $f$ . Give an equation that expresses the period of the signal  $f$  in terms of  $n$  and  $t_p$ .
- (b) For this part you are to design a circuit that can be used to experimentally measure the delay  $t_p$  through one of the inverters in the ring oscillator. Assume the existence of an input called *Reset* and another called *Interval*. The timing of these two signals is shown in Figure P5.6. The length of time for which *Interval* has the value 1 is known. Assume that this length of time is 100 ns. Design a circuit that uses the *Reset* and *Interval* signals and the signal  $f$  from part (a) to experimentally measure  $t_p$ . In your design you may use logic gates and subcircuits such as adders, flip-flops, counters, registers, and so on.



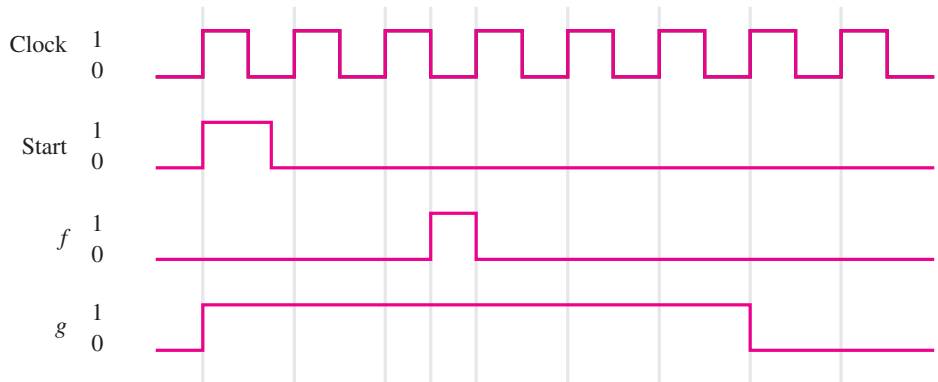
**Figure P5.6** Timing of signals for Problem 5.24.

**5.25** A circuit for a gated D latch is shown in Figure P5.7. Assume that the propagation delay through either a NAND gate or an inverter is 1 ns. Complete the timing diagram given in the figure, which shows the signal values with 1 ns resolution.



**Figure P5.7** Circuit and timing diagram for Problem 5.25.

**\*5.26** A logic circuit has two inputs, *Clock* and *Start*, and two outputs, *f* and *g*. The behavior of the circuit is described by the timing diagram in Figure P5.8. When a pulse is received



**Figure P5.8** Timing diagram for Problem 5.26.

on the *Start* input, the circuit produces pulses on the *f* and *g* outputs as shown in the timing diagram. Design a suitable circuit using only the following components: a three-bit resettable positive-edge-triggered synchronous counter and basic logic gates. For your answer assume that the delays through all logic gates and the counter are negligible.

**5.27** The following code checks for adjacent ones in an  $n$ -bit vector.

```

always @(A)
begin
    f = A[1] & A[0];
    for (k = 2; k < n; k = k+1)
        f = f | (A[k] & A[k-1]);
end

```

With blocking assignments this code produces the desired logic function, which is  $f = a_1a_0 + \dots + a_{n-1}a_{n-2}$ . What logic function is produced if we change the code to use non-blocking assignments?

**5.28** The Verilog code in Figure P5.9 represents a 3-bit *linear-feedback shift register* (LFSR). This type of circuit generates a counting sequence of pseudo-random numbers that repeats after  $2^n - 1$  clock cycles, where  $n$  is the number of flip-flops in the LFSR. Synthesize a circuit to implement the LFSR in a chip. Draw a diagram of the circuit. Simulate the circuit's behavior by loading the pattern 001 into the LFSR and then enabling the register to count. What is the counting sequence?

```

module lfsr (R, L, Clock, Q);
    input [0:2] R;
    input L, Clock;
    output reg [0:2] Q;

    always @(posedge Clock)
        if (L)
            Q <= R;
        else
            Q <= {Q[2], Q[0] ^ Q[2], Q[1]};

endmodule

```

**Figure P5.9** Code for a linear-feedback shift register.

**5.29** Repeat Problem 5.28 for the Verilog code in Figure P5.10.

```

module lfsr (R, L, Clock, Q);
  input [0:2] R;
  input L, Clock;
  output reg [0:2] Q;

  always @(posedge Clock)
    if (L)
      Q <= R;
    else
      Q <= {Q[2], Q[0], Q[1] ^ Q[2]};

endmodule

```

**Figure P5.10** Code for a linear-feedback shift register.

**5.30** The Verilog code in Figure P5.11 is equivalent to the code in Figure P5.9, except that blocking assignments are used. Draw the circuit represented by this code. What is its counting sequence?

```

module lfsr (R, L, Clock, Q);
  input [0:2] R;
  input L, Clock;
  output reg [0:2] Q;

  always @(posedge Clock)
    if (L)
      Q <= R;
    else
      begin
        Q[0] = Q[2];
        Q[1] = Q[0] ^ Q[2];
        Q[2] = Q[1];
      end

endmodule

```

**Figure P5.11** Code for Problem 5.30.



- 5.31** The Verilog code in Figure P5.12 is equivalent to the code in Figure P5.10, except that blocking assignments are used. Draw the circuit represented by this code. What is its counting sequence?

```
module lfsr (R, L, Clock, Q);
  input [0:2] R;
  input L, Clock;
  output reg [0:2] Q;

  always @(posedge Clock)
    if (L)
      Q <= R;
    else
      begin
        Q[0] = Q[2];
        Q[1] = Q[0];
        Q[2] = Q[1] ^ Q[2];
      end
end

endmodule
```

**Figure P5.12** Code for Problem 5.31.

- 5.32** The circuit in Figure 5.59 gives a shift register in which the parallel-load control input is independent of the enable input. Show a different shift register circuit in which the parallel-load operation can be performed only when the enable input is also asserted.

---

## REFERENCES

1. C. Hamacher, Z. Vranesic, S. Zaky, and N. Manjikian, *Computer Organization and Embedded Systems*, 6th ed., (McGraw-Hill: New York, 2011).
2. D. A. Patterson and J. L. Hennessy, *Computer Organization and Design—The Hardware/Software Interface*, 3rd ed., (Morgan Kaufmann: San Francisco, Ca., 2004).
3. R. H. Katz and G. Borriello, *Contemporary Logic Design*, 2nd ed., (Pearson Prentice-Hall: Upper Saddle River, N.J., 2005).
4. J. F. Wakerly, *Digital Design Principles and Practises*, 4th ed. (Prentice-Hall: Englewood Cliffs, N.J., 2005).
5. C. H. Roth Jr., *Fundamentals of Logic Design*, 5th ed., (Thomson/Brooks/Cole: Belmont, Ca., 2004).
6. M. M. Mano, *Digital Design*, 3rd ed. (Prentice-Hall: Upper Saddle River, N.J., 2002).
7. D. D. Gajski, *Principles of Digital Design*, (Prentice-Hall: Upper Saddle River, N.J., 1997).
8. J. P. Daniels, *Digital Design from Zero to One*, (Wiley: New York, 1996).
9. V. P. Nelson, H. T. Nagle, B. D. Carroll, and J. D. Irwin, *Digital Logic Circuit Analysis and Design*, (Prentice-Hall: Englewood Cliffs, N.J., 1995).
10. J. P. Hayes, *Introduction to Logic Design*, (Addison-Wesley: Reading, Ma., 1993).
11. Institute of Electrical and Electronics Engineers, *IEEE Standard Verilog Hardware Description Language Reference Manual*, (IEEE: Piscataway, NJ, 2001).
12. D. A. Thomas and P. R. Moorby, *The Verilog Hardware Description Language*, 5th ed., (Kluwer: Norwell, MA, 2002).
13. Z. Navabi, *Verilog Digital System Design*, 2nd ed., (McGraw-Hill: New York, 2006).
14. S. Palnitkar, *Verilog HDL—A Guide to Digital Design and Synthesis*, 2nd ed., (Prentice-Hall: Upper Saddle River, NJ, 2003).
15. D. R. Smith and P. D. Franzon, *Verilog Styles for Synthesis of Digital Systems*, (Prentice-Hall: Upper Saddle River, NJ, 2000).
16. J. Bhasker, *Verilog HDL Synthesis—A Practical Primer*, (Star Galaxy Publishing: Allentown, PA, 1998).
17. D. J. Smith, *HDL Chip Design*, (Doone Publications: Madison, AL, 1996).
18. S. Sutherland, *Verilog 2001—A Guide to the New Features of the Verilog Hardware Description Language*, (Kluwer: Hingham, MA, 2001).

*This page intentionally left blank*

---

chapter

# 6

## SYNCHRONOUS SEQUENTIAL CIRCUITS

### CHAPTER OBJECTIVES

In this chapter you will learn about:

- Design techniques for circuits that use flip-flops
- The concept of states and their implementation with flip-flops
- Synchronous control by using a clock signal
- Sequential behavior of digital circuits
- A complete procedure for designing synchronous sequential circuits
- Verilog specification of sequential circuits
- The concept of finite state machines

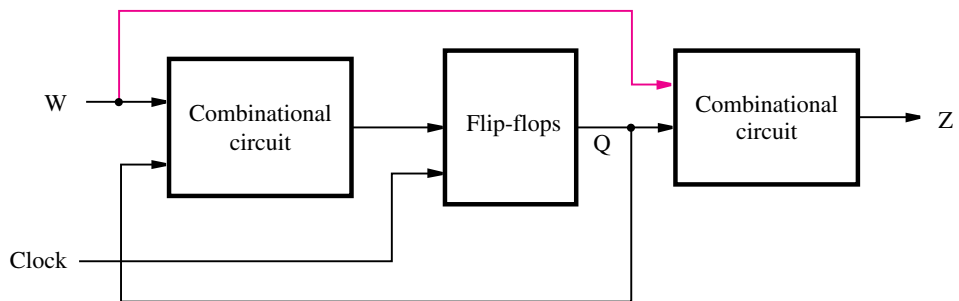
In preceding chapters we considered combinational logic circuits in which outputs are determined fully by the present values of inputs. We also discussed how simple storage elements can be implemented in the form of flip-flops. The output of a flip-flop depends on the state of the flip-flop rather than the value of its inputs at any given time; the inputs cause changes in the state.

In this chapter we deal with a general class of circuits in which the outputs depend on the past behavior of the circuit, as well as on the present values of inputs. They are called *sequential circuits*. In most cases a clock signal is used to control the operation of a sequential circuit; such a circuit is called a *synchronous sequential circuit*. The alternative, in which no clock signal is used, is called an *asynchronous sequential circuit*. Synchronous circuits are easier to design and are used in a vast majority of practical applications; they are the topic of this chapter. Asynchronous circuits will be discussed in Chapter 9.

Synchronous sequential circuits are realized using combinational logic and one or more flip-flops. The general structure of such a circuit is shown in Figure 6.1. The circuit has a set of primary inputs,  $W$ , and produces a set of outputs,  $Z$ . The stored values in the flip-flops are referred to as the *state*,  $Q$ , of the circuit. Under control of the clock signal, the flip-flops change their state as determined by the combinational logic that feeds the inputs of these flip-flops. Thus the circuit moves from one state to another. To ensure that only one transition from one state to another takes place during one clock cycle, the flip-flops have to be of the edge-triggered type. They can be triggered either by the positive (0 to 1 transition) or by the negative (1 to 0 transition) edge of the clock. We will use the term *active clock edge* to refer to the clock edge that causes the change in state.

The combinational logic that provides the input signals to the flip-flops has two sources: the primary inputs,  $W$ , and the present (current) state of the flip-flops,  $Q$ . Thus changes in state depend on both the present state and the values of the primary inputs.

Figure 6.1 indicates that the outputs of the sequential circuit are generated by another combinational circuit, such that the outputs are a function of the present state of the flip-flops and of the primary inputs. Although the outputs always depend on the present state, they do not necessarily have to depend directly on the primary inputs. Thus the connection shown in blue in the figure may or may not exist. To distinguish between these two possibilities, it is customary to say that sequential circuits whose outputs depend only on the state of the circuit are of *Moore* type, while those whose outputs depend on both the state and the primary inputs are of *Mealy* type. These names are in honor of Edward Moore and George Mealy, who investigated the behavior of such circuits in the 1950s.



**Figure 6.1** The general form of a sequential circuit.

Sequential circuits are also called *finite state machines (FSMs)*, which is a more formal name that is often found in technical literature. The name derives from the fact that the functional behavior of these circuits can be represented using a finite number of states. In this chapter we will often use the term *finite state machine*, or simply *machine*, when referring to sequential circuits.

---

## 6.1 BASIC DESIGN STEPS

Sequential circuits are often used to control the operation of physical systems. We will introduce the techniques for designing such circuits by means of a simple example.

Consider an application where the speed of an automatically-controlled vehicle has to be regulated as follows. The vehicle is designed to run at some predetermined speed. However, due to some operational conditions the speed may exceed the desirable limit, in which case the vehicle has to be slowed down. To determine when such action is needed, the speed is measured at regular intervals. Let a binary signal  $w$  indicate whether the speed exceeds the required limit, such that  $w = 0$  means that the speed is within acceptable range and  $w = 1$  indicates excessive speed. The desired control strategy is that if  $w = 1$  during two or more consecutive measurements, a control signal  $z$  must be asserted to cause the vehicle to slow down. Thus,  $z = 0$  allows the current speed to be maintained, while  $z = 1$  reduces the speed. Let a signal *Clock* define the required timing intervals, such that the speed is measured once during each clock cycle. Therefore, we wish to design a circuit that meets the following specification:

1. The circuit has one input,  $w$ , and one output,  $z$ .
2. All changes in the circuit occur on the positive edge of the clock signal.
3. The output  $z$  is equal to 1 if during two immediately preceding clock cycles the input  $w$  was equal to 1. Otherwise, the value of  $z$  is equal to 0.

From this specification it is apparent that the output  $z$  depends on both present and past values of  $w$ . Consider the sequence of values of the  $w$  and  $z$  signals for the clock cycles shown in Figure 6.2. The values of  $w$  are assumed to be generated by the vehicle being controlled; the values of  $z$  correspond to our specification. Since  $w = 1$  in clock cycle  $t_3$  and remains equal to 1 in cycle  $t_4$ , then  $z$  should be set to 1 in cycle  $t_5$ . Similarly,  $z$  should be set to 1 in cycle  $t_8$  because  $w = 1$  in cycles  $t_6$  and  $t_7$ , and it should also be set to 1 in  $t_9$  because  $w = 1$  in  $t_7$  and  $t_8$ . As seen in the figure, for a given value of input  $w$  the output  $z$  may be either 0 or 1. For example,  $w = 0$  during clock cycles  $t_2$  and  $t_5$ , but  $z = 0$  during  $t_2$  and  $z = 1$  during  $t_5$ . Similarly,  $w = 1$  during  $t_1$  and  $t_8$ , but  $z = 0$  during  $t_1$  and  $z = 1$  during  $t_8$ . This means that  $z$  is not determined only by the present value of  $w$ , so there must exist different states in the circuit that determine the value of  $z$ .

### 6.1.1 STATE DIAGRAM

The first step in designing a finite state machine is to determine how many states are needed and which transitions are possible from one state to another. There is no set procedure for

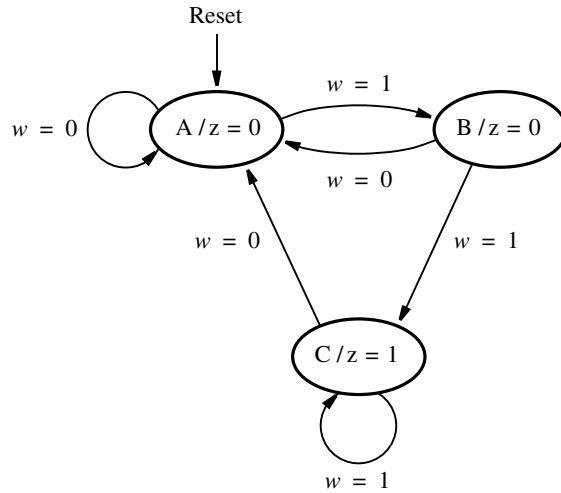
Clock cycle:	$t_0$	$t_1$	$t_2$	$t_3$	$t_4$	$t_5$	$t_6$	$t_7$	$t_8$	$t_9$	$t_{10}$
$w$ :	0	1	0	1	1	0	1	1	1	0	1
$z$ :	0	0	0	0	0	1	0	0	1	1	0

**Figure 6.2** Sequences of input and output signals.

this task. The designer must think carefully about what the machine has to accomplish. A good way to begin is to select one particular state as a *starting* state; this is the state that the circuit should enter when power is first turned on or when a *reset* signal is applied. For our example let us assume that the starting state is called state *A*. As long as the input  $w$  is 0, the circuit need not do anything, and so each active clock edge should result in the circuit remaining in state *A*. When  $w$  becomes equal to 1, the machine should recognize this, and move to a different state, which we will call state *B*. This transition takes place on the next active clock edge after  $w$  has become equal to 1. In state *B*, as in state *A*, the circuit should keep the value of output  $z$  at 0, because it has not yet seen  $w = 1$  for two consecutive clock cycles. When in state *B*, if  $w$  is 0 at the next active clock edge, the circuit should move back to state *A*. However, if  $w = 1$  when in state *B*, the circuit should change at the next active clock edge to a third state, called *C*, and it should then generate an output  $z = 1$ . The circuit should remain in state *C* as long as  $w = 1$  and should continue to maintain  $z = 1$ . When  $w$  becomes 0, the machine should move back to state *A*. Since the preceding description handles all possible values of input  $w$  that the machine can encounter in its various states, we can conclude that three states are needed to implement the desired machine.

Now that we have determined in an informal way the possible transitions between states, we will describe a more formal procedure that can be used to design the corresponding sequential circuit. Behavior of a sequential circuit can be described in several different ways. The conceptually simplest method is to use a pictorial representation in the form of a *state diagram*, which is a graph that depicts states of the circuit as nodes (circles) and transitions between states as directed arcs. The state diagram in Figure 6.3 defines the behavior that corresponds to our specification. States *A*, *B*, and *C* appear as nodes in the diagram. Node *A* represents the starting state, and it is also the state that the circuit will reach *after* an input  $w = 0$  is applied. In this state the output  $z$  should be 0, which is indicated as  $A/z = 0$  in the node. The circuit should remain in state *A* as long as  $w = 0$ , which is indicated by an arc with a label  $w = 0$  that originates and terminates at this node. The first occurrence of  $w = 1$  (following the condition  $w = 0$ ) is recorded by moving from state *A* to state *B*. This transition is indicated on the graph by an arc originating at *A* and terminating at *B*. The label  $w = 1$  on this arc denotes the input value that causes the transition. In state *B* the output remains at 0, which is indicated as  $B/z = 0$  in the node.

When the circuit is in state *B*, it will change to state *C* if  $w$  is still equal to 1 at the next active clock edge. In state *C* the output  $z$  becomes equal to 1. If  $w$  stays at 1 during subsequent clock cycles, the circuit will remain in state *C* maintaining  $z = 1$ . However, if  $w$  becomes 0 when the circuit is either in state *B* or in state *C*, the next active clock edge will cause a transition to state *A* to take place.



**Figure 6.3** State diagram of a simple sequential circuit.

Present state	Next state		Output $z$
	$w = 0$	$w = 1$	
A	A	B	0
B	A	C	0
C	A	C	1

**Figure 6.4** State table corresponding to Figure 6.3.

In the diagram we indicated that the *Reset* input is used to force the circuit into state A. We could treat *Reset* as just another input to the circuit, and show a transition from each state to the starting state A under control of the input *Reset*. This would complicate the diagram unnecessarily. Instead, we use a single arrow with the *Reset* label, as shown in Figure 6.3, to indicate that the *Reset* input causes a change to the starting state regardless of what state the circuit happens to be in.

### 6.1.2 STATE TABLE

Although the state diagram provides a description of the behavior of a sequential circuit that is easy to understand, to proceed with the implementation of the circuit it is convenient to translate the information contained in the state diagram into a tabular form. Figure 6.4 shows the *state table* for our sequential circuit. The table indicates all transitions from



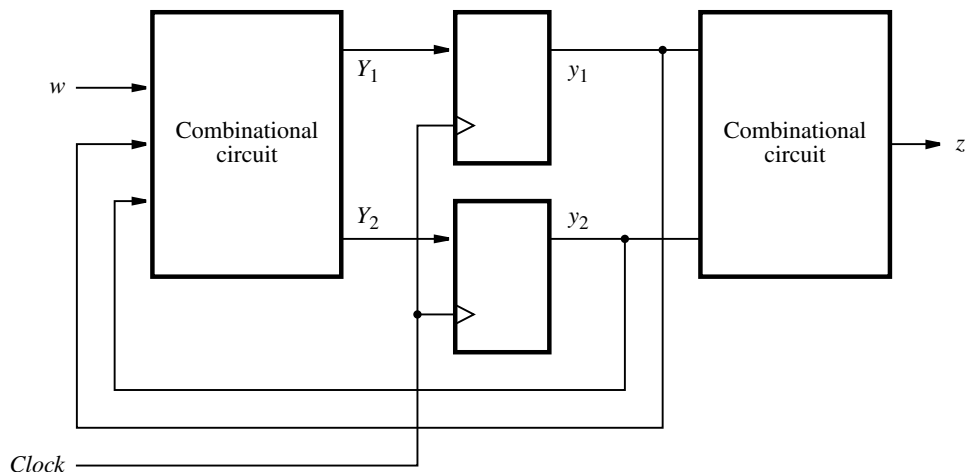
each *present state* to the *next state* for different values of the input signal. Note that the output  $z$  is specified with respect to the present state, namely, the state that the circuit is in at present time. Note also that we did not include the *Reset* input; instead, we made an implicit assumption that the first state in the table is the starting state.

We now show the design steps that will produce the final circuit. To explain the basic design concepts, we first go through a traditional process of manually performing each design step. This is followed by a discussion of automated design techniques that use modern computer aided design (CAD) tools.

### 6.1.3 STATE ASSIGNMENT

The state table in Figure 6.4 defines the three states in terms of letters  $A$ ,  $B$ , and  $C$ . When implemented in a logic circuit, each state is represented by a particular valuation (combination of values) of *state variables*. Each state variable may be implemented in the form of a flip-flop. Since three states have to be realized, it is sufficient to use two state variables. Let these variables be  $y_1$  and  $y_2$ .

Now we can adapt the general block diagram in Figure 6.1 to our example as shown in Figure 6.5, to indicate the structure of the circuit that implements the required finite state machine. Two flip-flops represent the state variables. In the figure we have not specified the type of flip-flops to be used; this issue is addressed in the next subsection. From the specification in Figures 6.3 and 6.4, the output  $z$  is determined only by the present state of the circuit. Thus the block diagram in Figure 6.5 shows that  $z$  is a function of only  $y_1$  and  $y_2$ ; our design is of Moore type. We need to design a combinational circuit that uses  $y_1$  and  $y_2$  as input signals and generates a correct output signal  $z$  for all possible valuations of these inputs.



**Figure 6.5** A general sequential circuit with input  $w$ , output  $z$ , and two state flip-flops.

	Present state $y_2y_1$	Next state		Output $z$
		$w = 0$	$w = 1$	
		$Y_2Y_1$	$Y_2Y_1$	
A	00	00	01	0
B	01	00	10	0
C	10	00	10	1
	11	<i>dd</i>	<i>dd</i>	<i>d</i>

**Figure 6.6** State-assigned table corresponding to Figure 6.4.

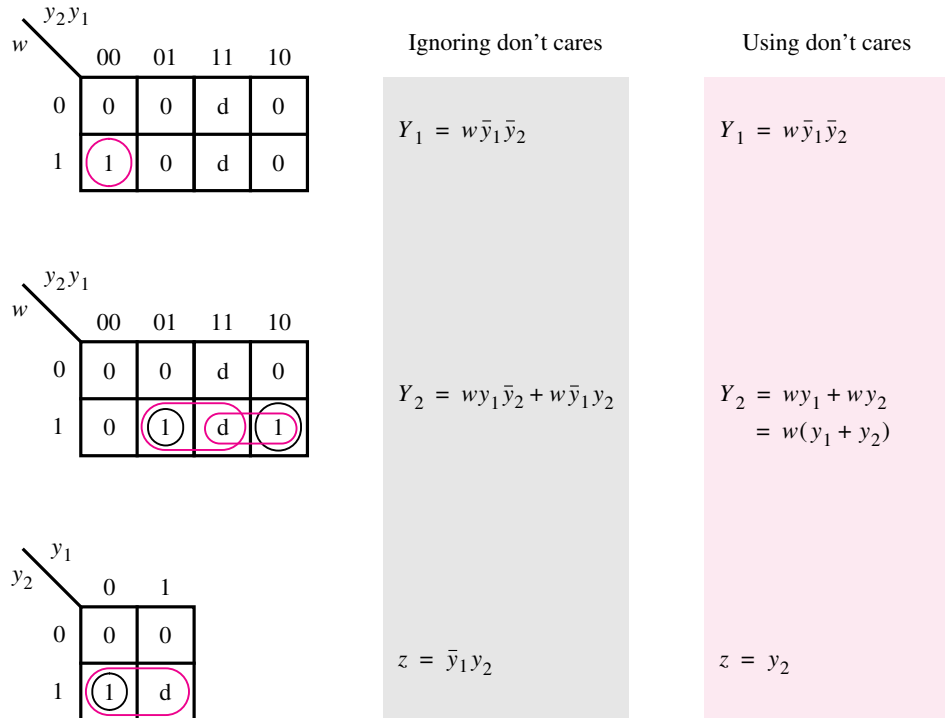
The signals  $y_1$  and  $y_2$  are also fed back to the combinational circuit that determines the next state of the FSM. This circuit also uses the primary input signal  $w$ . Its outputs are two signals,  $Y_1$  and  $Y_2$ , which are used to set the state of the flip-flops. Each active edge of the clock will cause the flip-flops to change their state according to the values of  $Y_1$  and  $Y_2$  at that time. Therefore,  $Y_1$  and  $Y_2$  are called the *next-state variables*, and  $y_1$  and  $y_2$  are called the *present-state variables*. We need to design a combinational circuit with inputs  $w$ ,  $y_1$ , and  $y_2$ , such that for all valuations of these inputs the outputs  $Y_1$  and  $Y_2$  will cause the machine to move to the next state that satisfies our specification. The next step in the design process is to create a truth table that defines this circuit, as well as the circuit that generates  $z$ .

To produce the desired truth table, we assign a specific valuation of variables  $y_1$  and  $y_2$  to each state. One possible assignment is given in Figure 6.6, where the states *A*, *B*, and *C* are represented by  $y_2y_1 = 00$ ,  $01$ , and  $10$ , respectively. The fourth valuation,  $y_2y_1 = 11$ , is not needed in this case.

The type of table given in Figure 6.6 is usually called a *state-assigned table*. This table can serve directly as a truth table for the output  $z$  with the inputs  $y_1$  and  $y_2$ . Although for the next-state functions  $Y_1$  and  $Y_2$  the table does not have the appearance of a normal truth table, because there are two separate columns in the table for each value of  $w$ , it is obvious that the table includes all of the information that defines  $Y_1$  and  $Y_2$  in terms of valuations of inputs  $w$ ,  $y_1$ , and  $y_2$ .

#### 6.1.4 CHOICE OF FLIP-FLOPS AND DERIVATION OF NEXT-STATE AND OUTPUT EXPRESSIONS

From the state-assigned table in Figure 6.6, we can derive the logic expressions for the next-state and output functions. But first we have to decide on the type of flip-flops that will be used in the circuit. The most straightforward choice is to use D-type flip-flops, because in this case the values of  $Y_1$  and  $Y_2$  are simply clocked into the flip-flops to become the new values of  $y_1$  and  $y_2$ . In other words, if the inputs to the flip-flops are called  $D_1$  and  $D_2$ , then these signals are the same as  $Y_1$  and  $Y_2$ . Note that the diagram in Figure 6.5



**Figure 6.7** Derivation of logic expressions for the table in Figure 6.6.

corresponds exactly to this use of D-type flip-flops. For other types of flip-flops, such as JK type, the relationship between the next-state variable and inputs to a flip-flop is not as straightforward; we will consider this situation in Section 6.7.

The required logic expressions can be derived as shown in Figure 6.7. We use Karnaugh maps to make it easy for the reader to verify the validity of the expressions. Recall that in Figure 6.6 we needed only three of the four possible binary valuations to represent the states. The fourth valuation,  $y_2y_1 = 11$ , will not occur in the circuit because the circuit is constrained to move only within states *A*, *B*, and *C*; therefore, we may choose to treat this valuation as a don't-care condition. The resulting don't-care squares in the Karnaugh maps are denoted by d's. Using the don't cares to simplify the expressions, we obtain

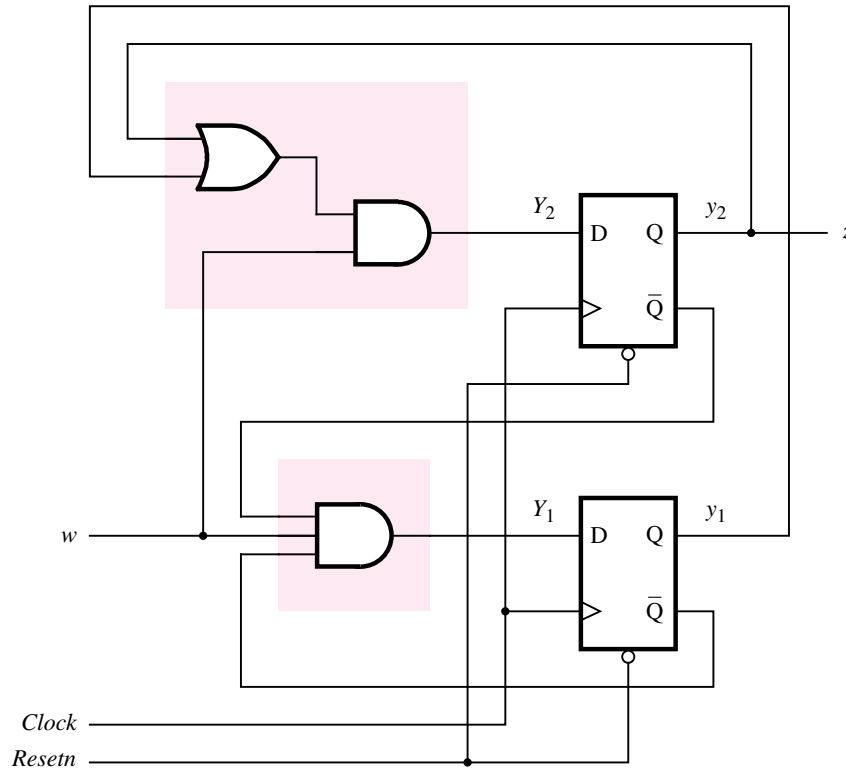
$$Y_1 = w\bar{y}_1\bar{y}_2$$

$$Y_2 = w(y_1 + y_2)$$

$$z = y_2$$

If we do not use don't cares, then the resulting expressions are slightly more complex; they are shown in the gray-shaded area of Figure 6.7.

Since  $D_1 = Y_1$  and  $D_2 = Y_2$ , the logic circuit that corresponds to the preceding expressions is implemented as shown in Figure 6.8. Observe that a clock signal is included, and



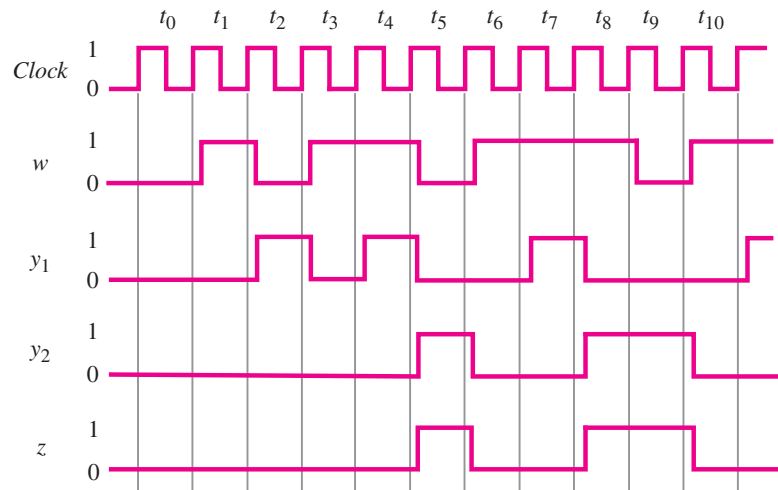
**Figure 6.8** Final implementation of the sequential circuit.

the circuit is provided with an active-low reset capability. Connecting the clear input on the flip-flops to an external *Resetn* signal, as shown in the figure, provides a simple means for forcing the circuit into a known state. If we apply the signal  $Resetn = 0$  to the circuit, then both flip-flops will be cleared to 0, placing the FSM into the state  $y_2y_1 = 00$ .

### 6.1.5 TIMING DIAGRAM

To understand fully the operation of the circuit in Figure 6.8, let us consider its timing diagram presented in Figure 6.9. The diagram depicts the signal waveforms that correspond to the sequences of values in Figure 6.2.

Because we are using positive-edge-triggered flip-flops, all changes in the signals occur shortly after the positive edge of the clock. The amount of delay from the clock edge depends on the propagation delays through the flip-flops. Note that the input signal  $w$  is also shown to change slightly after the active edge of the clock. This is a good assumption because in a typical digital system an input such as  $w$  would be just an output of another circuit that is synchronized by the same clock. We discuss the synchronization of input signals with the clock signal in Chapter 7.



**Figure 6.9** Timing diagram for the circuit in Figure 6.8.

A key point to observe is that even though  $w$  changes slightly after the active clock edge, and thus the value of  $w$  is equal to 1 (or 0) for almost the entire clock cycle, no change in the circuit will occur until the beginning of the next clock cycle when the positive edge causes the flip-flops to change their state. Thus the value of  $w$  must be equal to 1 for two clock cycles if the circuit is to reach state  $C$  and generate the output  $z = 1$ .

### 6.1.6 SUMMARY OF DESIGN STEPS

We can summarize the steps involved in designing a synchronous sequential circuit as follows:

1. Obtain the specification of the desired circuit.
2. Derive the states for the machine by first selecting a starting state. Then, given the specification of the circuit, consider all valuations of the inputs to the circuit and create new states as needed for the machine to respond to these inputs. To keep track of the states as they are visited, create a state diagram. When completed, the state diagram shows all states in the machine and gives the conditions under which the circuit moves from one state to another.
3. Create a state table from the state diagram. Alternatively, it may be convenient to directly create the state table in step 2, rather than first creating a state diagram.
4. In our sequential circuit example, there were only three states; hence it was a simple matter to create the state table that does not contain more states than necessary. However, in practice it is common to deal with circuits that have a large number of states. In such cases it is unlikely that the first attempt at deriving a state table will

produce optimal results, so that we may have more states than is really necessary. This can be corrected by a procedure that minimizes the number of states. We will discuss the process of state minimization in Section 6.6.

5. Decide on the number of state variables needed to represent all states and perform the state assignment. There are many different state assignments possible for a given sequential circuit. Some assignments may be better than others. In the preceding example we used what seemed to be a natural state assignment. We will return to this example in Section 6.2 and show that a different assignment may lead to a simpler circuit.
6. Choose the type of flip-flops to be used in the circuit. Derive the next-state logic expressions to control the inputs to all flip-flops and then derive logic expressions for the outputs of the circuit. So far we have used only D-type flip-flops. We will consider other types of flip-flops in Section 6.7.
7. Implement the circuit as indicated by the logic expressions.

We introduced the steps used in the design of sequential circuits by using an example of a simple controller for a vehicle. In this case the value of  $w$  reflected the speed of the vehicle. But, we could consider this example in a more general sense, in that the value of  $w$  in each clock cycle provides a *sequence* of symbols over time, where each symbol has the value 0 or 1. Our circuit can detect sequences of symbols that consist of consecutive 1s, and indicate this by generating  $z = 1$  following each occurrence of two consecutive 1s. Because the circuit detects a specific sequence of symbols, we can say that it acts as a *sequence detector*. Similar circuits can be designed to detect a variety of different sequences.

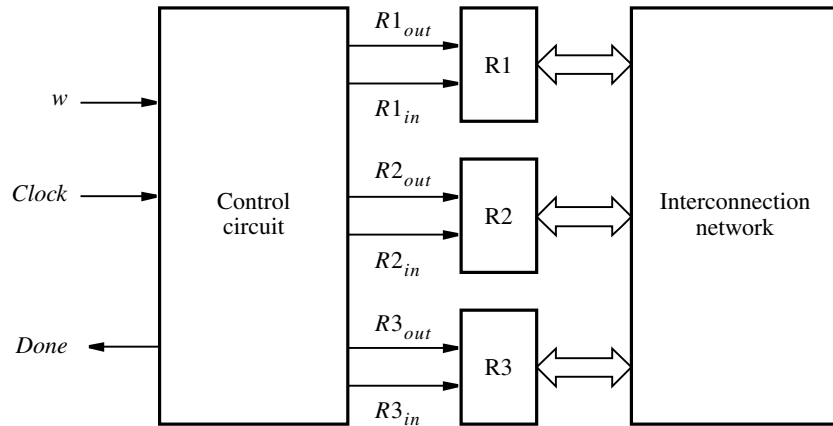
---

**We** have illustrated the design steps using a very simple sequential circuit. We will now consider a slightly more complex example that is closely tied to application in computer systems.

### Example 6.1

A computer system usually contains a number of registers that hold data during various operations. Sometimes it is necessary to swap the contents of two registers. Typically, this is done by using a temporary location, which is usually a third register. For example, suppose that we want to swap the contents of registers  $R1$  and  $R2$ . We can achieve this by first transferring the contents of  $R2$  into the third register, say  $R3$ . Next, we transfer the contents of  $R1$  into  $R2$ . Finally, we transfer the contents of  $R3$  into  $R1$ .

Registers in a computer system are connected via an interconnection network, as shown in Figure 6.10. In addition to the wires that connect to the network, each register has two control signals. The  $Rk_{out}$  signal causes the contents of register  $Rk$  to be placed into the interconnection network. The  $Rk_{in}$  signal causes the data from the network to be loaded into  $Rk$ . The  $Rk_{out}$  and  $Rk_{in}$  signals are generated by a control circuit, which is a finite state machine. For our example, we will design a control circuit that swaps the contents of  $R1$  and  $R2$ , in response to an input  $w = 1$ . Therefore, the inputs to the control circuit will be  $w$  and *Clock*. The outputs will be  $R1_{out}$ ,  $R1_{in}$ ,  $R2_{out}$ ,  $R2_{in}$ ,  $R3_{out}$ ,  $R3_{in}$ , and *Done* which indicates the completion of the required transfers.



**Figure 6.10** System for Example 6.1.

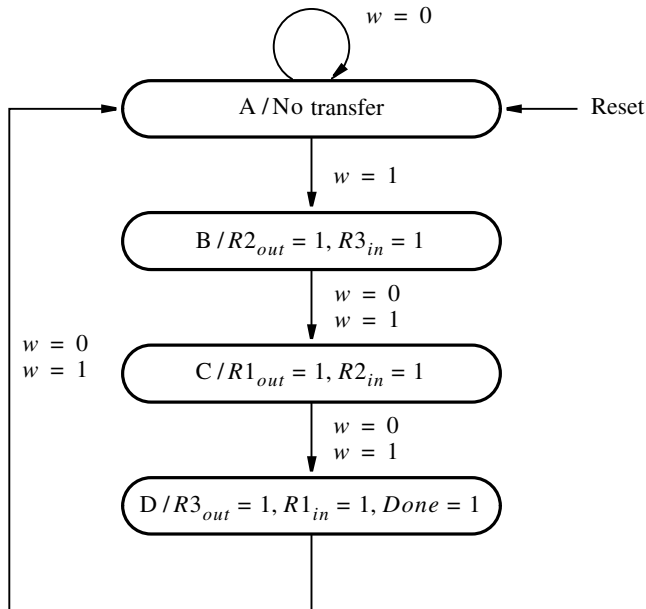
The desired swapping operation will be performed as follows. The contents of  $R2$  are first loaded into  $R3$ , using the control signals  $R2_{out} = 1$  and  $R3_{in} = 1$ . Then the contents of  $R1$  are transferred into  $R2$ , using  $R1_{out} = 1$  and  $R2_{in} = 1$ . Finally, the contents of  $R3$  (which are the previous contents of  $R2$ ) are transferred into  $R1$ , using  $R3_{out} = 1$  and  $R1_{in} = 1$ . Since this step completes the required swap, we will set the signal  $Done = 1$ . Assume that the swapping is performed in response to a pulse on the input  $w$ , which has a duration of one clock cycle. Figure 6.11 gives a state diagram for a sequential circuit that generates the output control signals in the required sequence. Note that to keep the diagram simple, we have indicated the output signals only when they are equal to 1. In all other cases the output signals are equal to 0.

In the starting state,  $A$ , no transfer is indicated, and all output signals are 0. The circuit remains in this state until a request to swap arrives in the form of  $w$  changing to 1. In state  $B$  the signals required to transfer the contents of  $R2$  into  $R3$  are asserted. The next active clock edge places these contents into  $R3$ . This clock edge also causes the circuit to change to state  $C$ , regardless of whether  $w$  is equal to 0 or 1. In this state the signals for transferring  $R1$  into  $R2$  are asserted. The transfer takes place at the next active clock edge, and the circuit changes to state  $D$  regardless of the value of  $w$ . The final transfer, from  $R3$  to  $R1$ , is performed on the clock edge that leaves state  $D$ , which also causes the circuit to return to state  $A$ .

Figure 6.12 presents the same information in a state table. Since there are four states, we can use two state variables,  $y_2$  and  $y_1$ . A straightforward state assignment where the states  $A$ ,  $B$ ,  $C$ , and  $D$  are assigned the valuations  $y_2y_1 = 00, 01, 10,$  and  $11$ , respectively, leads to the state-assigned table in Figure 6.13. Using this assignment and D-type flip-flops, the next-state expressions can be derived as shown in Figure 6.14. They are

$$Y_1 = w\bar{y}_1 + \bar{y}_1y_2$$

$$Y_2 = y_1\bar{y}_2 + \bar{y}_1y_2$$



**Figure 6.11** State diagram for Example 6.1.

Present state	Next state		Outputs						
	w = 0	w = 1	R1 <sub>out</sub>	R1 <sub>in</sub>	R2 <sub>out</sub>	R2 <sub>in</sub>	R3 <sub>out</sub>	R3 <sub>in</sub>	Done
A	A	B	0	0	0	0	0	0	0
B	C	C	0	0	1	0	0	1	0
C	D	D	1	0	0	1	0	0	0
D	A	A	0	1	0	0	1	0	1

**Figure 6.12** State table for Example 6.1.

The output control signals are derived as

$$R1_{out} = R2_{in} = \bar{y}_1 y_2$$

$$R1_{in} = R3_{out} = Done = y_1 y_2$$

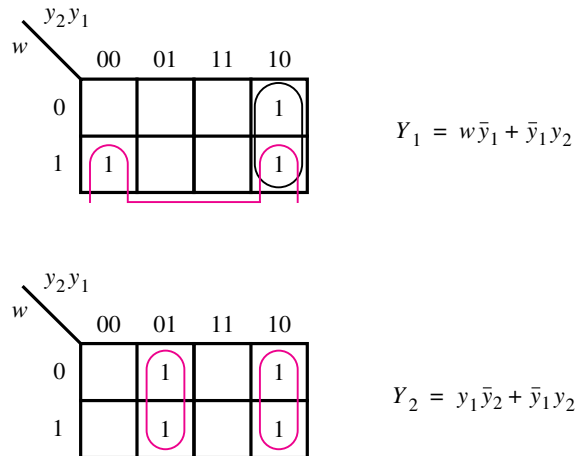
$$R2_{out} = R3_{in} = y_1 \bar{y}_2$$

These expressions lead to the circuit in Figure 6.15.



	Present state	Next state		Outputs						
		$w = 0$	$w = 1$	$R1_{out}$	$R1_{in}$	$R2_{out}$	$R2_{in}$	$R3_{out}$	$R3_{in}$	$Done$
	$y_2y_1$	$Y_2Y_1$	$Y_2Y_1$							
A	00	00	01	0	0	0	0	0	0	0
B	01	10	10	0	0	1	0	0	1	0
C	10	11	11	1	0	0	1	0	0	0
D	11	00	00	0	1	0	0	1	0	1

**Figure 6.13** State-assigned table corresponding to Figure 6.12.

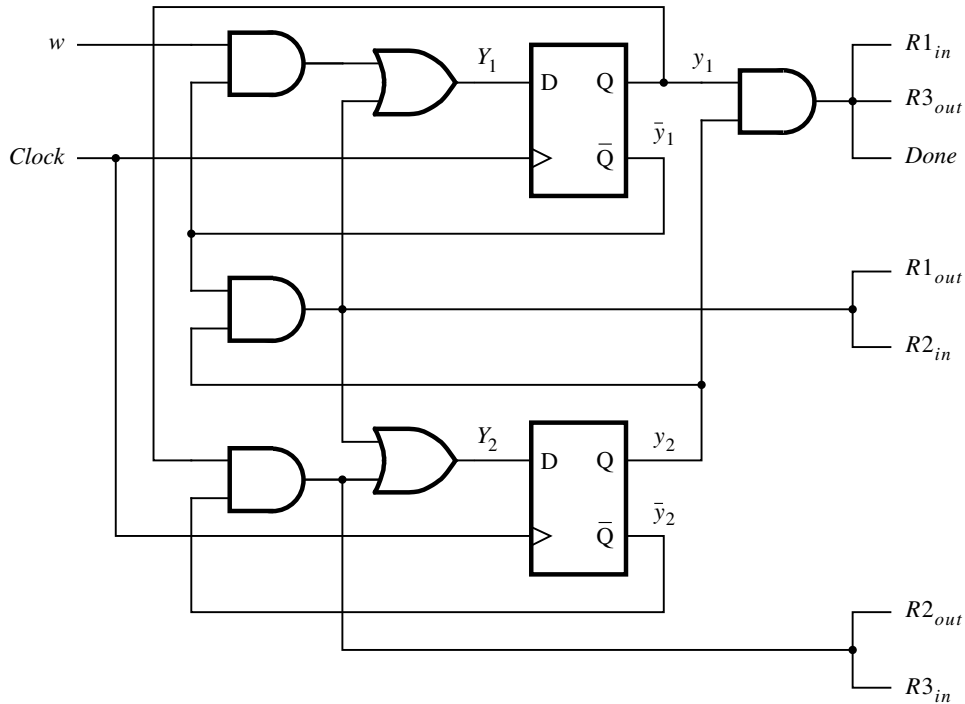


**Figure 6.14** Derivation of next-state expressions for Figure 6.13.

## 6.2 STATE-ASSIGNMENT PROBLEM

Having introduced the basic concepts involved in the design of sequential circuits, we should revisit some details where alternative choices are possible. In Section 6.1.6 we suggested that some state assignments may be better than others. To illustrate this we can reconsider the example in Figure 6.4. We already know that the state assignment in Figure 6.6 leads to a simple-looking circuit in Figure 6.8. But can the FSM of Figure 6.4 be implemented with an even simpler circuit by using a different state assignment?

Figure 6.16 gives one possible alternative. In this case we represent the states  $A$ ,  $B$ , and  $C$  with the valuations  $y_2y_1 = 00, 01$ , and  $11$ , respectively. The remaining valuation,  $y_2y_1 = 10$ , is not needed, and we will treat it as a don't-care condition. The next-state and



**Figure 6.15** Final implementation of the sequential circuit for Example 6.1.

	Present state $y_2y_1$	Next state		Output $z$
		$w = 0$	$w = 1$	
		$Y_2Y_1$	$Y_2Y_1$	
A	00	00	01	0
B	01	00	11	0
C	11	00	11	1
	10	$dd$	$dd$	$d$

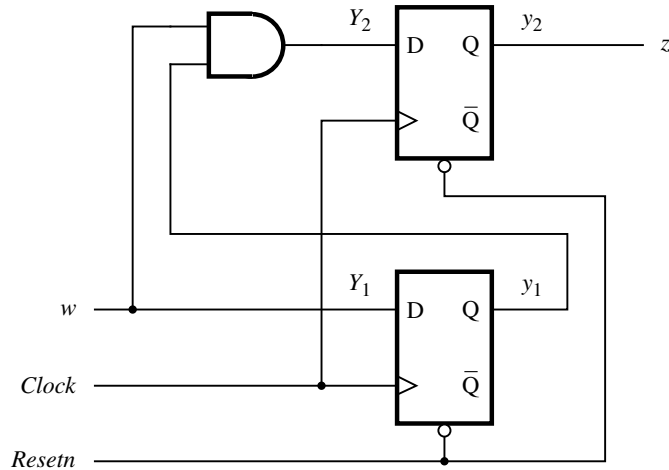
**Figure 6.16** Improved state assignment for the state table in Figure 6.4.

output expressions derived from the figure will be

$$Y_1 = D_1 = w$$

$$Y_2 = D_2 = wy_1$$

$$z = y_2$$



**Figure 6.17** Final circuit for the improved state assignment in Figure 6.16.

These expressions define the circuit shown in Figure 6.17. Comparing this circuit with the one in Figure 6.8, we see that the cost of the new circuit is lower because it requires fewer gates.

In general, circuits are much larger than our example, and different state assignments can have a substantial effect on the cost of the final implementation. While highly desirable, it is often impossible to find the best state assignment for a large circuit. The exhaustive approach of trying all possible state assignments is not practical because the number of available state assignments is huge. CAD tools usually perform the state assignment using heuristic techniques. These techniques are usually proprietary, and their details are seldom published.

---

**Example 6.2** In Figure 6.13 we used a straightforward state assignment for the sequential circuit in Figure 6.12. Consider now the effect of interchanging the valuations assigned to states *C* and *D*, as shown in Figure 6.18. Then the next-state expressions are

$$Y_1 = w\bar{y}_2 + y_1\bar{y}_2$$

$$Y_2 = y_1$$

as derived in Figure 6.19. The output expressions are

$$R1_{out} = R2_{in} = y_1y_2$$

$$R1_{in} = R3_{out} = Done = \bar{y}_1y_2$$

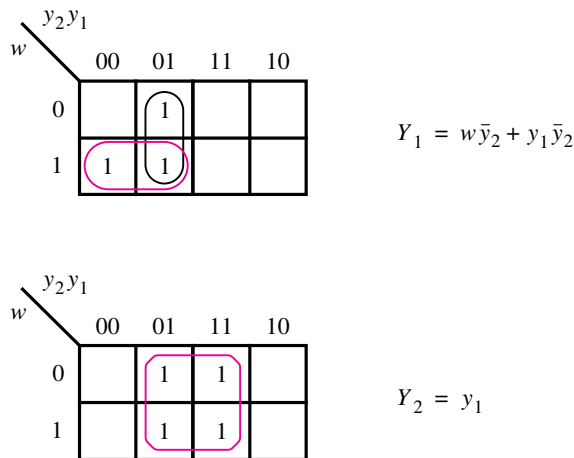
$$R2_{out} = R3_{in} = y_1\bar{y}_2$$

These expressions lead to a slightly simpler circuit than the one given in Figure 6.15.

---

	Present state	Next state		Outputs						
		$w = 0$	$w = 1$							
	$y_2y_1$	$Y_2Y_1$	$Y_2Y_1$	$R1_{out}$	$R1_{in}$	$R2_{out}$	$R2_{in}$	$R3_{out}$	$R3_{in}$	$Done$
A	00	00	01	0	0	0	0	0	0	0
B	01	11	11	0	0	1	0	0	1	0
C	11	10	10	1	0	0	1	0	0	0
D	10	00	00	0	1	0	0	1	0	1

**Figure 6.18** Improved state assignment for the state table in Figure 6.12.



**Figure 6.19** Derivation of next-state expressions for Figure 6.18.

### 6.2.1 ONE-HOT ENCODING

In previous examples we used the minimum number of flip-flops to represent the states of the FSM. Another interesting possibility is to use as many state variables as there are states. In this method, for each state all but one of the state variables are equal to 0. The variable whose value is 1 is deemed to be “hot.” The approach is known as the *one-hot encoding* method.

Figure 6.20 shows how one-hot state assignment can be applied to the sequential circuit of Figure 6.4. Because there are three states, it is necessary to use three state variables. The chosen assignment is to represent the states *A*, *B*, and *C* using the valuations  $y_3y_2y_1 = 001$ ,  $010$ , and  $100$ , respectively. The remaining five valuations of the state variables are not used. They can be treated as don’t cares in the derivation of the next-state and output expressions.

	Present state $y_3y_2y_1$	Next state		Output $z$
		$w = 0$	$w = 1$	
		$Y_3Y_2Y_1$	$Y_3Y_2Y_1$	
A	001	001	010	0
B	010	001	100	0
C	100	001	100	1

**Figure 6.20** One-hot state assignment for the state table in Figure 6.4.

Using this assignment, the resulting expressions are

$$\begin{aligned} Y_1 &= \bar{w} \\ Y_2 &= wy_1 \\ Y_3 &= w\bar{y}_1 \\ z &= y_3 \end{aligned}$$

Note that none of the next-state variables depends on the present-state variable  $y_2$ . This suggests that the second flip-flop and the expression  $Y_2 = wy_1$  are not needed. (CAD tools detect and eliminate such redundancies!) But even then, the derived expressions are not simpler than those obtained using the state assignment in Figure 6.16. Although in this case the one-hot assignment is not advantageous, there are many cases where this approach is attractive.

---

**Example 6.3** The one-hot state assignment can be applied to the sequential circuit of Figure 6.12 as indicated in Figure 6.21. Four state variables are needed, and the states  $A$ ,  $B$ ,  $C$ , and  $D$  are encoded as  $y_4y_3y_2y_1 = 0001, 0010, 0100$ , and  $1000$ , respectively. Treating the remaining 12 valuations of the state variables as don't cares, the next-state expressions are

$$\begin{aligned} Y_1 &= \bar{w}y_1 + y_4 \\ Y_2 &= wy_1 \\ Y_3 &= y_2 \\ Y_4 &= y_3 \end{aligned}$$

It is instructive to note that we can derive these expressions simply by inspecting the state diagram in Figure 6.11. There are two arcs leading to state  $A$  (not including the arc for the *Reset* signal). These arcs mean that flip-flop  $y_1$  should be set to 1 if the FSM is already in state  $A$  and  $w = 0$ , or if the FSM is in state  $D$ ; hence  $Y_1 = \bar{w}y_1 + y_4$ . Similarly, flip-flop  $y_2$  should be set to 1 if the present state is  $A$  and  $w = 1$ ; hence  $Y_2 = wy_1$ . Flip-flops  $y_3$  and  $y_4$  should be set to 1 if the FSM is presently in state  $B$  or  $C$ , respectively; hence  $Y_3 = y_2$  and  $Y_4 = y_3$ .

	Present state	Next state		Outputs						
		$w = 0$	$w = 1$							
	$y_4 y_3 y_2 y_1$	$Y_4 Y_3 Y_2 Y_1$	$Y_4 Y_3 Y_2 Y_1$	$R1_{out}$	$R1_{in}$	$R2_{out}$	$R2_{in}$	$R3_{out}$	$R3_{in}$	<i>Done</i>
A	0001	0001	0010	0	0	0	0	0	0	0
B	0010	0100	0100	0	0	1	0	0	1	0
C	0100	1000	1000	1	0	0	1	0	0	0
D	1000	0001	0001	0	1	0	0	1	0	1

**Figure 6.21** One-hot state assignment for the state table in Figure 6.12.

The output expressions are just the outputs of the flip-flops, such that

$$R1_{out} = R2_{in} = y_3$$

$$R1_{in} = R3_{out} = \textit{Done} = y_4$$

$$R2_{out} = R3_{in} = y_2$$

These expressions are simpler than those derived in Example 6.2, but four flip-flops are needed, rather than two.

An important feature of the one-hot state assignment is that it often leads to simpler output expressions than do assignments with the minimal number of state variables. Simpler output expressions may lead to a faster circuit. For instance, if the outputs of the sequential circuit are just the outputs of the flip-flops, as is the case in our example, then these output signals are valid as soon as the flip-flops change their states. If more complex output expressions are involved, then the propagation delay through the gates that implement these expressions must be taken into account. We will consider this issue in Section 6.8.2.

The examples considered to this point show that there are many ways to implement a given finite state machine as a sequential circuit. Each implementation is likely to have a different cost and different timing characteristics. In the next section we introduce another way of modeling FSMs that leads to even more possibilities.

## 6.3 MEALY STATE MODEL

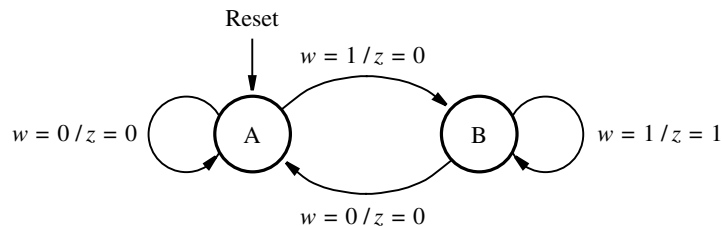
Our introductory examples were sequential circuits in which each state had specific values of the output signals associated with it. As we explained at the beginning of the chapter, such finite state machines are said to be of Moore type. We will now explore the concept of Mealy-type machines in which the output values are generated based on both the state of the circuit and the present values of its inputs. This provides additional flexibility in the

design of sequential circuits. We will introduce the Mealy-type machines, using a slightly altered version of a previous example.

The essence of the first sequential circuit in Section 6.1 is to generate an output  $z = 1$  whenever a second occurrence of the input  $w = 1$  is detected in consecutive clock cycles. The specification requires that the output  $z$  be equal to 1 in the clock cycle that follows the detection of the second occurrence of  $w = 1$ . Suppose now that we eliminate this latter requirement and specify instead that the output  $z$  should be equal to 1 in the same clock cycle when the second occurrence of  $w = 1$  is detected. Then a suitable input-output sequence may be as shown in Figure 6.22. To see how we can realize the behavior given in this table, we begin by selecting a starting state,  $A$ . As long as  $w = 0$ , the machine should remain in state  $A$ , producing an output  $z = 0$ . When  $w = 1$ , the machine has to move to a new state,  $B$ , to record the fact that an input of 1 has occurred. If  $w$  remains equal to 1 when the machine is in state  $B$ , which happens if  $w = 1$  for at least two consecutive clock cycles, the machine should remain in state  $B$  and produce an output  $z = 1$ . As soon as  $w$  becomes 0,  $z$  should immediately become 0 and the machine should move back to state  $A$  at the next active edge of the clock. Thus the behavior specified in Figure 6.22 can be achieved with a two-state machine, which has a state diagram shown in Figure 6.23. Only two states are needed because we have allowed the output value to depend on the present value of the input as well as the present state of the machine. The diagram indicates that if the machine is in state  $A$ , it will remain in state  $A$  if  $w = 0$  and the output will be 0. This is indicated by an arc with the label  $w = 0/z = 0$ . When  $w$  becomes 1, the output stays at 0 until the machine moves to state  $B$  at the next active clock edge. This is denoted by the arc from  $A$  to  $B$  with the label  $w = 1/z = 0$ . In state  $B$  the output will be 1 if  $w = 1$ , and the machine will remain in state  $B$ , as indicated by the label  $w = 1/z = 1$  on the corresponding arc. However, if  $w = 0$  in state  $B$ , then the output will be 0 and a transition to state  $A$  will take place at the

Clock cycle:	$t_0$	$t_1$	$t_2$	$t_3$	$t_4$	$t_5$	$t_6$	$t_7$	$t_8$	$t_9$	$t_{10}$
$w$ :	0	1	0	1	1	0	1	1	1	0	1
$z$ :	0	0	0	0	1	0	0	1	1	0	0

**Figure 6.22** Sequences of input and output signals.



**Figure 6.23** State diagram of an FSM that realizes the task in Figure 6.22.

next active clock edge. A key point to understand is that during the present clock cycle the output value corresponds to the label on the arc emanating from the present-state node.

We can implement the FSM in Figure 6.23, using the same design steps as in Section 6.1. The state table is shown in Figure 6.24. The table shows that the output  $z$  depends on the present value of input  $w$  and not just on the present state. Figure 6.25 gives the state-assigned table. Because there are only two states, it is sufficient to use a single state variable,  $y$ . Assuming that  $y$  is realized as a D-type flip-flop, the required next-state and output expressions are

$$Y = D = w$$

$$z = wy$$

The resulting circuit is presented in Figure 6.26 along with a timing diagram. The timing diagram corresponds to the input-output sequences in Figure 6.22.

The greater flexibility of Mealy-type FSMs often leads to simpler circuit realizations. This certainly seems to be the case in our examples that produced the circuits in Figures 6.8, 6.17, and 6.26, assuming that the design requirement is only to detect two consecutive occurrences of input  $w$  being equal to 1. We should note, however, that the circuit in Figure 6.26 is not the same in terms of output behavior as the circuits in Figures 6.8 and 6.17. The difference is a shift of one clock cycle in the output signal in Figure 6.26*b*. If we wanted to produce exactly the same output behavior using the Mealy approach, we could modify the circuit in Figure 6.26*a* by adding another flip-flop as shown in Figure 6.27. This flip-flop merely delays the output signal,  $Z$ , by one clock cycle with respect to  $z$ , as indicated

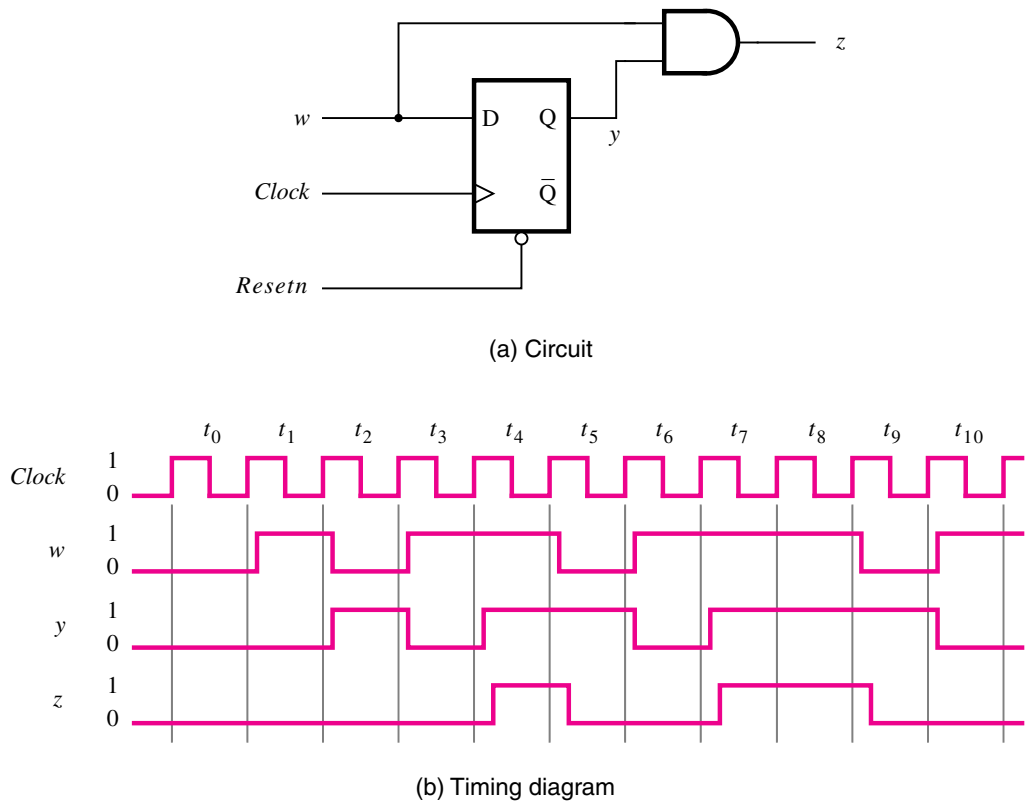
Present state	Next state		Output $z$	
	$w = 0$	$w = 1$	$w = 0$	$w = 1$
A	A	B	0	0
B	A	B	0	1

**Figure 6.24** State table for the FSM in Figure 6.23.

	Present state	Next state		Output	
		$w = 0$	$w = 1$	$w = 0$	$w = 1$
	$y$	$Y$	$Y$	$z$	$z$
A	0	0	1	0	0
B	1	0	1	0	1

**Figure 6.25** State-assigned table for the FSM in Figure 6.24.



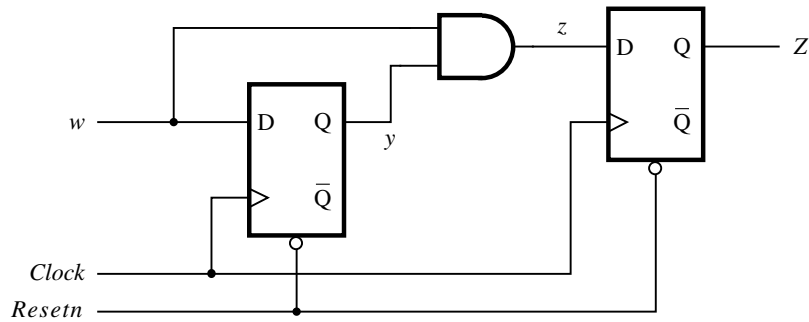


**Figure 6.26** Implementation of the FSM in Figure 6.25.

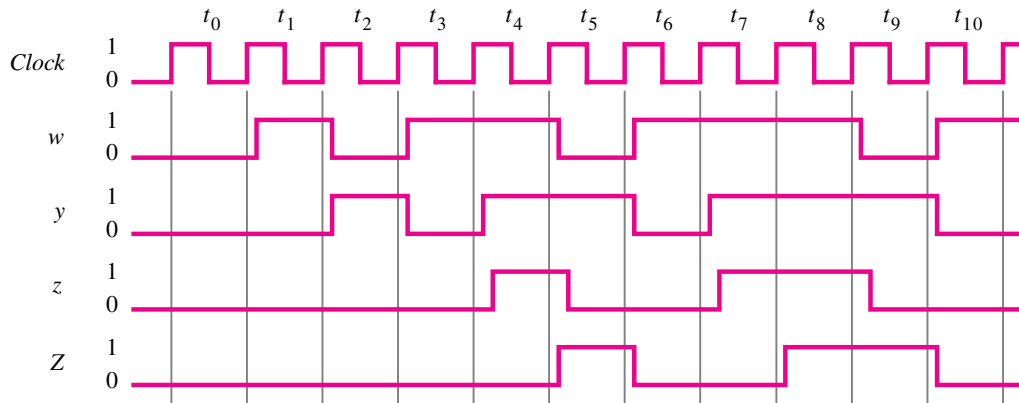
in the timing diagram. By making this change, we effectively turn the Mealy-type circuit into a Moore-type circuit with output  $Z$ . Note that the circuit in Figure 6.27 is essentially the same as the circuit in Figure 6.17.

**Example 6.4** In Example 6.1 we considered the control circuit needed to swap the contents of two registers, implemented as a Moore-type finite state machine. The same task can be achieved using a Mealy-type FSM, as indicated in Figure 6.28. State  $A$  still serves as the reset state. But as soon as  $w$  changes from 0 to 1, the output control signals  $R2_{out}$  and  $R3_{in}$  are asserted. They remain asserted until the beginning of the next clock cycle, when the circuit will leave state  $A$  and change to  $B$ . In state  $B$  the outputs  $R1_{out}$  and  $R2_{in}$  are asserted for both  $w = 0$  and  $w = 1$ . Finally, in state  $C$  the swap is completed by asserting  $R3_{out}$  and  $R1_{in}$ .

The Mealy-type realization of the control circuit requires three states. This does not necessarily imply a simpler circuit because two flip-flops are still needed to implement the state variables. The most important difference in comparison with the Moore-type realization is the timing of output signals. A circuit that implements the FSM in Figure 6.28



(a) Circuit



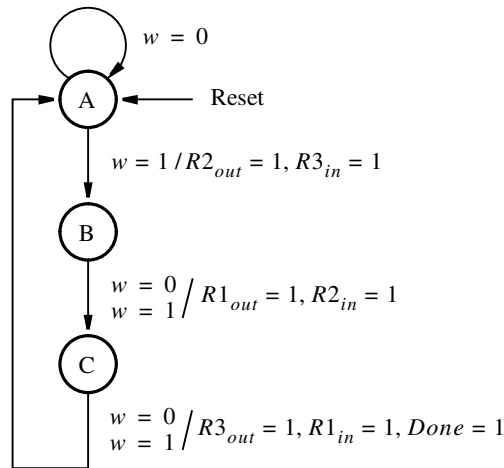
(b) Timing diagram

**Figure 6.27** Circuit that implements the specification in Figure 6.2.

generates the output control signals one clock cycle sooner than the circuits derived in Examples 6.1 and 6.2.

Note also that using the FSM in Figure 6.28, the entire process of swapping the contents of  $R1$  and  $R2$  takes three clock cycles, starting and finishing in state  $A$ . Using the Moore-type FSM in Example 6.1, the swapping process involves four clock cycles before the circuit returns to state  $A$ .

Suppose that we wish to implement this FSM using one-hot encoding. Then three flip-flops are needed, and the states  $A$ ,  $B$ , and  $C$  may be assigned the valuations  $y_3y_2y_1 = 001, 010$ , and  $100$ , respectively. Examining the state diagram in Figure 6.28, we can derive the next-state equations by inspection. The input to flip-flop  $y_1$  should have the value 1 if the FSM is in state  $A$  and  $w = 0$  or if the FSM is in state  $C$ ; hence  $Y_1 = \overline{w}y_1 + y_3$ .



**Figure 6.28** State diagram for Example 6.4.

Flip-flop  $y_2$  should be set to 1 if the FSM is in state  $A$  and  $w = 1$ ; hence  $Y_2 = wy_1$ . Flip-flop  $y_3$  should be set to 1 if the present state is  $B$ ; hence  $Y_3 = y_2$ . The derivation of the output expressions, which we leave as an exercise for the reader, can also be done by inspection.

The preceding discussion deals with the basic principles involved in the design of sequential circuits. Although it is essential to understand these principles, the manual approach used in the examples is difficult and tedious when large circuits are involved. We will now show how CAD tools are used to greatly simplify the design task.

## 6.4 DESIGN OF FINITE STATE MACHINES USING CAD TOOLS

Sophisticated CAD tools are available for finite state machine design, and we introduce them in this section. A rudimentary way of using CAD tools for FSM design could be as follows: The designer employs the manual techniques described previously to derive a circuit that contains flip-flops and logic gates from a state diagram. This circuit is entered into the CAD system by drawing a schematic diagram or by writing structural hardware description language (HDL) code. The designer then uses the CAD system to simulate the behavior of the circuit and uses the CAD tools to automatically implement the circuit in a chip, such as a PLD.

It is tedious to manually synthesize a circuit from a state diagram. Since CAD tools are meant to obviate this type of task, more attractive ways of utilizing CAD tools for FSM design have been developed. A better approach is to directly enter the state diagram into the

CAD system and perform the entire synthesis process automatically. CAD tools support this approach in two main ways. One method is to allow the designer to draw the state diagram using a graphical tool similar to the schematic capture tool. The designer draws circles to represent states and arcs to represent state transitions and indicates the outputs that the machine should generate. Another and more popular approach is to write HDL code that represents the state diagram, as described below.

Many HDLs provide constructs that allow the designer to represent a state diagram. To show how this is done, we will provide Verilog code that represents the simple machine designed manually as the first example in Section 6.1. Then we will use the CAD tools to synthesize a circuit that implements the machine in a chip.

### 6.4.1 VERILOG CODE FOR MOORE-TYPE FSMs

Verilog does not define a standard way of describing a finite state machine. Hence while adhering to the required Verilog syntax, there is more than one way to describe a given FSM. An example of Verilog code for the FSM of Figure 6.3 is given in Figure 6.29. The code reflects directly the FSM structure in Figure 6.5. The module *simple* has inputs *Clock*, *Resetn*, and *w*, and output *z*. Two-bit vectors *y* and *Y* represent the present and the next state of the machine, respectively. The **parameter** statement associates the present-state valuations used in Figure 6.6 with the symbolic names *A*, *B*, and *C*.

The state transitions are specified by two separate **always** blocks. The first block describes the required combinational circuit. It uses a **case** statement to give the value of the next state *Y* for each value of the present state *y*. Each case alternative corresponds to a present state of the machine, and the associated **if-else** statement specifies the next state to be reached according to the value of *w*. This portion of the code corresponds to the combinational circuit on the left side of Figure 6.5.

Since there are only three states in our FSM, the **case** statement in Figure 6.29 includes a **default** clause that covers the unused valuation  $y = 11$ . This clause specifies  $Y = 2'bxx$ , which indicates to the Verilog compiler that the value of *Y* can be treated as a don't-care when  $y = 11$ . It is important to consider the effect on the compiler if we did not include the **default** clause. In that case, the value of *Y* would not be specified at all for  $y = 11$ . As explained in Chapter 5, the Verilog compiler assumes that a signal's value must be kept unchanged whenever the value is not specified by an assignment, and a memory element should be synthesized. For the code in Figure 6.29 this means that a latch will be generated in the combinational circuit for *Y* if the **default** clause is not included. In general, it is always necessary to include a **default** clause when using a **case** statement that does not cover all of its alternatives.

The second **always** block introduces flip-flops into the circuit. Its sensitivity list comprises the reset and clock signals. Asynchronous reset is performed when the *Resetn* input goes to 0, placing the FSM into state *A*. The **else** clause stipulates that after each positive clock edge the *y* signal should take the value of the *Y* signal, thus implementing the state changes.

```

module simple (Clock, Resetn, w, z);
  input Clock, Resetn, w;
  output z;
  reg [2:1] y, Y;
  parameter [2:1] A = 2'b00, B = 2'b01, C = 2'b10;

  // Define the next state combinational circuit
  always @(w, y)
    case (y)
      A: if (w)   Y = B;
         else    Y = A;
      B: if (w)   Y = C;
         else    Y = A;
      C: if (w)   Y = C;
         else    Y = A;
      default:   Y = 2'bxx;
    endcase

  // Define the sequential block
  always @(negedge Resetn, posedge Clock)
    if (Resetn == 0) y <= A;
    else y <= Y;

  // Define output
  assign z = (y == C);

endmodule

```

**Figure 6.29** Verilog code for the FSM in Figure 6.3.

This is a Moore-type FSM in which the output  $z$  is equal to 1 only in state  $C$ . The output is conveniently defined in a conditional assignment statement that sets  $z = 1$  if  $y = C$ . This realizes the combinational circuit on the right side of Figure 6.5.

## 6.4.2 SYNTHESIS OF VERILOG CODE

To give an example of the circuit produced by a synthesis tool, we synthesised the code in Figure 6.29 for implementation in a CPLD, such as those described in Appendix B. The synthesis resulted in two flip-flops, with inputs  $Y_1$  and  $Y_2$ , and outputs  $y_1$  and  $y_2$ . The next-state expressions generated by the synthesis tool are

$$Y_1 = w\bar{y}_1\bar{y}_2$$

$$Y_2 = wy_1 + wy_2$$

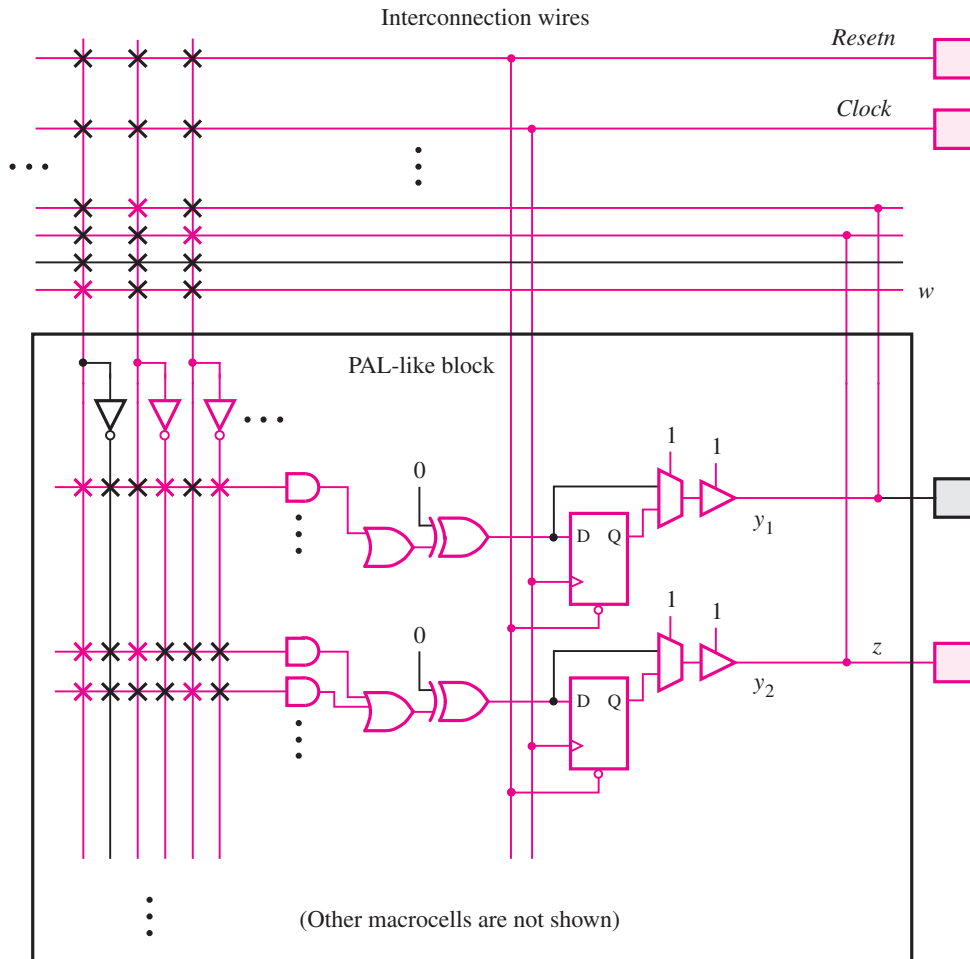
The output expression is

$$z = y_2$$

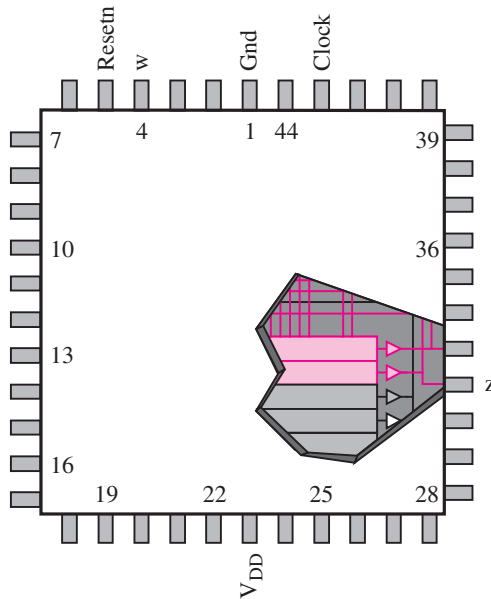
These expressions correspond to the case in Figure 6.7 when the unused state pattern  $y_2y_1 = 11$  is treated as don't-cares in the Karnaugh maps for  $Y_1$ ,  $Y_2$ , and  $z$ .

Figure 6.30 depicts a part of the FSM circuit implemented in a CPLD. To keep the figure simple, only the logic resources used for the two macrocells that implement  $y_1$ ,  $y_2$ , and  $z$  are shown. The parts of the macrocells used for the circuit are highlighted in blue.

The  $w$  input to the circuit is shown connected to one of the interconnection wires in the CPLD. The source node in the chip that generates  $w$  is not shown. It could be either an input pin, or else  $w$  might be the output of another macrocell, assuming that the CPLD may



**Figure 6.30** Implementation of the FSM of Figure 6.3 in a CPLD.



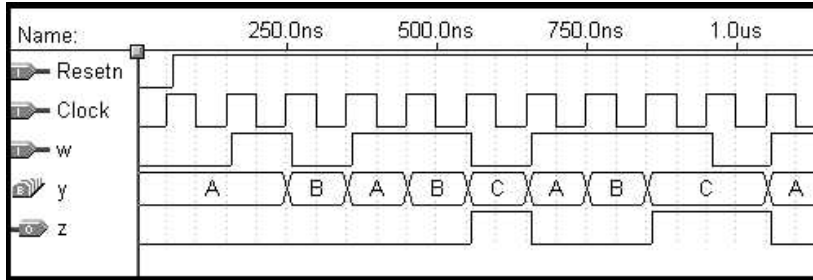
**Figure 6.31** The circuit from Figure 6.30 in a small CPLD.

contain other circuitry that is connected to our FSM. The *Clock* signal is assigned to a pin on the chip that is dedicated for use by clock signals. From this dedicated pin a *global wire* distributes the clock signal to all of the flip-flops in the chip. The global wire distributes the clock signal to the flip-flops such that the difference in the arrival time, or *clock skew*, of the clock signal at each flip-flop is minimized. The concept of clock skew is discussed in Chapter 5. A global wire is also used for the reset signal.

Figure 6.31 illustrates how the circuit might be assigned to the pins on a small CPLD. The figure is drawn with a part of the top of the chip package cut away, revealing a conceptual view of the two macrocells from Figure 6.30, which are indicated in blue. Our simple circuit uses only a small portion of the device.

### 6.4.3 SIMULATING AND TESTING THE CIRCUIT

The behavior of the circuit implemented in the CPLD chip can be tested using timing simulation, as depicted in Figure 6.32. The figure gives the waveforms that correspond to the timing diagram in Figure 6.9, assuming that a 100 ns clock period is used. The *Resetn* signal is set to 0 at the beginning of the simulation and then set to 1. The circuit produces the output  $z = 1$  for one clock cycle after  $w$  has been equal to 1 for two successive clock cycles. When  $w$  is 1 for three clock cycles,  $z$  becomes 1 for two clock cycles, as it should be. We show the changes in state by using the letters *A*, *B*, and *C* for readability purposes.



**Figure 6.32** Simulation results for the circuit in Figure 6.30.

Having examined the simulation output, we should consider the question of whether we can conclude that the circuit functions correctly and satisfies all requirements. For our simple example it is not difficult to answer this question because the circuit has only one input and its behavior is straightforward. It is easy to see that the circuit works properly. However, in general it is difficult to ascertain with a high degree of confidence whether a sequential circuit will work properly for all possible input sequences, because a very large number of input patterns may be possible. For large finite state machines, the designer must think carefully about patterns of inputs that may be used in simulation for testing purposes.

#### 6.4.4 ALTERNATIVE STYLES OF VERILOG CODE

We mentioned earlier in this section that Verilog does not specify a standard way for writing code that represents a finite state machine. The code given in Figure 6.29 is only one possibility. A slightly different version of code for our simple machine is given in Figure 6.33. In this case, we specified the output  $z$  inside the **always** block that defines the required combinational circuit. The effect is the same as in Figure 6.29.

A different approach is taken in Figure 6.34. A single **always** block is used. The states are represented by a two-bit vector  $y$ . The required state transitions are given in the **always** block with the sensitivity list that comprises the reset and clock signals. Asynchronous reset is specified when *Resetn* goes to 0. Other transitions are defined in the **case** statement to correspond directly to those in Figure 6.3. The **default** clause indicates that the valuation  $y = y_2y_1 = 11$  can be treated as a don't-care condition.

The assignment statement that defines  $z$  is placed outside the **always** block. This assignment cannot be made inside the **always** block as done in Figure 6.33. Doing so would infer a separate flip-flop for  $z$ , which would delay the changes in  $z$  with respect to  $y_2$  by one clock cycle.

We have shown three styles of Verilog code for our FSM example. The circuit produced by the Verilog compiler for each version of the code may be somewhat different because, as the reader is well aware by this point, there are many ways to implement a given logic function. However, the circuits produced from the three versions of the code provide identical functionality.



```

module simple (Clock, Resetn, w, z);
  input Clock, Resetn, w;
  output reg z;
  reg [2:1] y, Y;
  parameter [2:1] A = 2'b00, B = 2'b01, C = 2'b10;

  // Define the next state and output combinational circuits
  always @(w, y)
  begin
    case (y)
      A: if (w) Y = B;
         else Y = A;
      B: if (w) Y = C;
         else Y = A;
      C: if (w) Y = C;
         else Y = A;
      default: Y = 2'bxx;
    endcase
    z = (y == C); // Define output
  end

  // Define the sequential block
  always @(negedge Resetn, posedge Clock)
    if (Resetn == 0) y <= A;
    else y <= Y;

endmodule

```

**Figure 6.33** Second version of code for the FSM in Figure 6.3.

---

**Example 6.5** Figure 6.35 shows how the FSM in Figure 6.11 can be specified in Verilog using the style illustrated in Figure 6.29. This FSM has four states, which are encoded using all four possible valuations of the state variables, hence there is no need for a **default** clause in the **case** statement.

---

### 6.4.5 SUMMARY OF DESIGN STEPS WHEN USING CAD TOOLS

In Section 6.1.6 we summarized the design steps needed to derive sequential circuits manually. We have now seen that CAD tools can automatically perform much of the work. However, it is important to realize that the CAD tools have not replaced *all* manual steps.

```

module simple (Clock, Resetn, w, z);
  input Clock, Resetn, w;
  output z;
  reg [2:1] y;
  parameter [2:1] A = 2'b00, B = 2'b01, C = 2'b10;

  // Define the sequential block
  always @(negedge Resetn, posedge Clock)
    if (Resetn == 0) y <= A;
    else
      case (y)
        A: if (w) y <= B;
           else y <= A;
        B: if (w) y <= C;
           else y <= A;
        C: if (w) y <= C;
           else y <= A;
        default: y <= 2'bxx;
      endcase

  // Define output
  assign z = (y == C);

endmodule

```

**Figure 6.34** Third version of code for the FSM in Figure 6.3.

With reference to the list given in Section 6.1.6, the first two steps, in which the machine specification is obtained and a state diagram is derived, still have to be done manually. Given the state diagram information as input, the CAD tools then automatically perform the tasks needed to generate a circuit with logic gates and flip-flops. In addition to the design steps given in Section 6.1.6, we should add the testing and simulation stage. We will defer detailed discussion of this issue until Chapter 11.

### 6.4.6 SPECIFYING THE STATE ASSIGNMENT IN VERILOG CODE

In Section 6.2 we saw that the state assignment may have an impact on the complexity of the designed circuit. An obvious objective of the state-assignment process is to minimize the cost of implementation. The cost function that should be optimized may be simply the number of gates and flip-flops. But it could also be based on other considerations that may be representative of the type of chip used to implement the design.

```

module control (Clock, Resetn, w, R1in, R1out, R2in, R2out, R3in, R3out, Done);
  input Clock, Resetn, w;
  output R1in, R1out, R2in, R2out, R3in, R3out, Done;
  reg [2:1] y, Y;
  parameter [2:1] A = 2'b00, B = 2'b01, C = 2'b10, D = 2'b11;

  // Define the next state combinational circuit
  always @(w, y)
    case (y)
      A: if (w)   Y = B;
         else   Y = A;
      B:         Y = C;
      C:         Y = D;
      D:         Y = A;
    endcase

  // Define the sequential block
  always @(negedge Resetn, posedge Clock)
    if (Resetn == 0) y <= A;
    else y <= Y;

  // Define outputs
  assign R2out = (y == B);
  assign R3in = (y == B);
  assign R1out = (y == C);
  assign R2in = (y == C);
  assign R3out = (y == D);
  assign R1in = (y == D);
  assign Done = (y == D);

endmodule

```

**Figure 6.35** Verilog code for the FSM in Figure 6.11.

A particular state assignment can be specified in Verilog code by means of a **parameter** statement as done in Figures 6.29 through 6.35. However, Verilog compilers usually have a capability to search for different assignments that may give better results. Most compilers are able to recognize a finite state machine when they encounter its specification in the code that conforms to typical styles, such as those used in this chapter. When the compiler detects an FSM, it can try to optimize its implementation by applying certain strategies such as looking for a better state assignment, attempting to use the one-hot encoding, and exploiting specific features of the target device. The user can either allow the compiler to use its FSM-handling capability, or surpress it in which case the compiler simply deals with the Verilog statements in the usual way.

## 6.4.7 SPECIFICATION OF MEALY FSMs USING VERILOG

A Mealy-type FSM can be specified in a similar manner as a Moore-type FSM. Figure 6.36 gives Verilog code for the FSM in Figure 6.23. The state transitions are described in the same way as in our first Verilog example in Figure 6.29. The variables  $y$  and  $Y$  represent the present and next states, which can have values  $A$  and  $B$ . Compared to the code in Figure 6.29, the main difference is the way in which the code for the output is written. In Figure 6.36 the output  $z$  is defined within the **case** statement that also defines the state transitions. When the FSM is in state  $A$ ,  $z$  should be 0, but when in state  $B$ ,  $z$  should take the value of  $w$ . Since the sensitivity list for the **always** block includes  $w$ , a change in  $w$  will immediately reflect itself in the value of  $z$  if the machine is in state  $B$ , which meets the requirements of the Mealy-type FSM.

Implementing the FSM specified in Figure 6.36 in a CPLD chip yields the same equations as we derived manually in Section 6.3. Simulation results for the synthesized circuit appear in Figure 6.37. The input waveform for  $w$  is the same as the one we used for the Moore-type machine in Figure 6.32. Our Mealy-type machine behaves correctly, with  $z$  becoming 1 just after the start of the second consecutive clock cycle in which  $w$  is 1.

In the simulation results we have given in this section, all changes in the input  $w$  occur immediately following a positive clock edge. This is based on the assumption, stated in Section 6.1.5, that in a real circuit  $w$  would be synchronized with respect to the clock that controls the FSM. In Figure 6.38 we illustrate a problem that may arise if  $w$  does not meet this specification. In this case we have assumed that the changes in  $w$  take place at the negative edge of the clock, rather than at the positive edge when the FSM changes its state. The first pulse on the  $w$  input is 100 ns long. This should not cause the output  $z$  to become equal to 1. But the circuit does not behave in this manner. After the signal  $w$  becomes equal to 1, the first positive edge of the clock causes the FSM to change from state  $A$  to state  $B$ . As soon as the circuit reaches the state  $B$ , the  $w$  input is still equal to 1 for another 50 ns, which causes  $z$  to go to 1. When  $w$  returns to 0, the  $z$  signal does likewise. Thus an erroneous 50-ns pulse is generated on the output  $z$ .

We should pursue the consequences of this problem a little further. If  $z$  is used to drive another circuit that is not controlled by the same clock, then the extraneous pulse is likely to cause big problems. But if  $z$  is used as an input to a circuit (perhaps another FSM) that is controlled by the same clock, then the 50-ns pulse will be ignored by this circuit if  $z = 0$  before the next positive edge of the clock (accounting for the setup time).

---

## 6.5 SERIAL ADDER EXAMPLE

We will now present another simple example that illustrates the complete design process. In Chapter 3 we discussed the addition of binary numbers in detail. We explained several schemes that can be used to add two  $n$ -bit numbers in parallel, ranging from carry-ripple to carry-lookahead adders. In these schemes the speed of the adder unit is an important design parameter. Fast adders are more complex and thus more expensive. If speed is not of great importance, then a cost-effective option is to use a *serial adder*, in which bits are added a pair at a time.

```

module mealy (Clock, Resetn, w, z);
  input Clock, Resetn, w;
  output reg z;
  reg y, Y;
  parameter A = 1'b0, B = 1'b1;

  // Define the next state and output combinational circuits
  always @(w, y)
    case (y)
      A: if (w)
        begin
          z = 0;
          Y = B;
        end
      else
        begin
          z = 0;
          Y = A;
        end
      B: if (w)
        begin
          z = 1;
          Y = B;
        end
      else
        begin
          z = 0;
          Y = A;
        end
    endcase

  // Define the sequential block
  always @(negedge Resetn, posedge Clock)
    if (Resetn == 0) y <= A;
    else y <= Y;

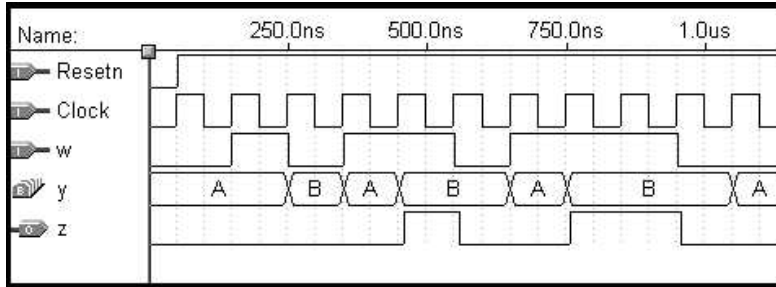
endmodule

```

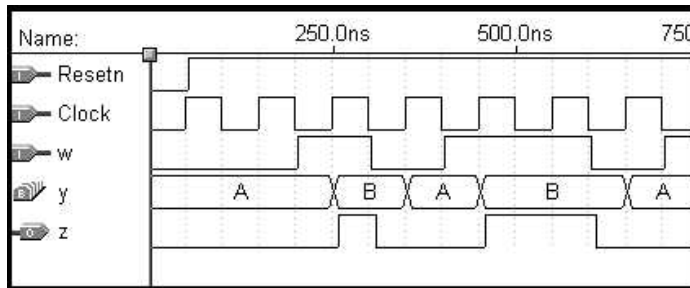
**Figure 6.36** Verilog code for the Mealy machine of Figure 6.23.

### 6.5.1 MEALY-TYPE FSM FOR SERIAL ADDER

Let  $A = a_{n-1}a_{n-2} \cdots a_0$  and  $B = b_{n-1}b_{n-2} \cdots b_0$  be two unsigned numbers that have to be added to produce  $Sum = s_{n-1}s_{n-2} \cdots s_0$ . Our task is to design a circuit that will perform serial addition, dealing with a pair of bits in one clock cycle. The process starts by adding bits  $a_0$  and  $b_0$ . In the next clock cycle, bits  $a_1$  and  $b_1$  are added, including a possible



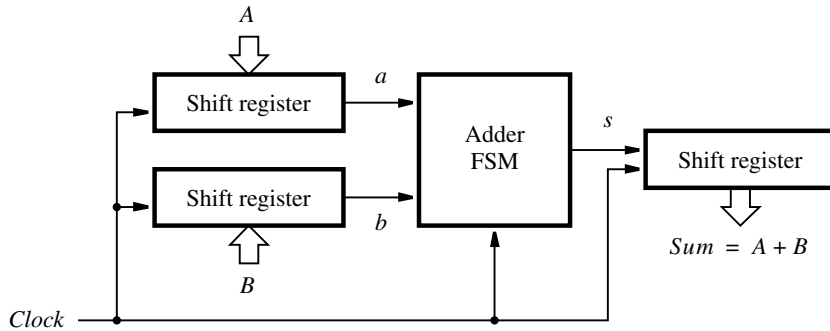
**Figure 6.37** Simulation results for the Mealy machine.



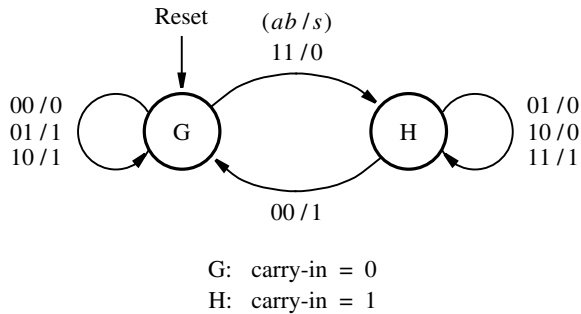
**Figure 6.38** Potential problem with asynchronous inputs to a Mealy FSM.

carry from the bit-position 0, and so on. Figure 6.39 shows a block diagram of a possible implementation. It includes three shift registers that are used to hold  $A$ ,  $B$ , and  $Sum$  as the computation proceeds. Assuming that the input shift registers have parallel-load capability, as depicted in Figure 5.18, the addition task begins by loading the values of  $A$  and  $B$  into these registers. Then in each clock cycle, a pair of bits is added by the adder FSM, and at the end of the cycle the resulting sum bit is shifted into the  $Sum$  register. We will use positive-edge-triggered flip-flops in which case all changes take place soon after the positive edge of the clock, depending on the propagation delays within the various flip-flops. At this time the contents of all three shift registers are shifted to the right; this shifts the existing sum bit into  $Sum$ , and it presents the next pair of input bits  $a_i$  and  $b_i$  to the adder FSM.

Now we are ready to design the required FSM. This cannot be a combinational circuit because different actions will have to be taken, depending on the value of the carry from the previous bit position. Hence two states are needed: let  $G$  and  $H$  denote the states where the carry-in values are 0 and 1, respectively. Figure 6.40 gives a suitable state diagram, defined as a Mealy model. The output value,  $s$ , depends on both the state and the present value of the inputs  $a$  and  $b$ . Each transition is labeled using the notation  $ab/s$ , which indicates the value of  $s$  for a given valuation  $ab$ . In state  $G$  the input valuation 00 will produce  $s = 0$ , and the FSM will remain in the same state. For input valuations 01 and 10, the output will be  $s = 1$ , and the FSM will remain in  $G$ . But for 11,  $s = 0$  is generated, and the machine



**Figure 6.39** Block diagram for the serial adder.



**Figure 6.40** State diagram for the serial adder FSM.

moves to state *H*. In state *H* valuations 01 and 10 cause  $s = 0$ , while 11 causes  $s = 1$ . In all three of these cases, the machine remains in *H*. However, when the valuation 00 occurs, the output of 1 is produced and a change into state *G* takes place.

The corresponding state table is presented in Figure 6.41. A single flip-flop is needed to represent the two states. The state assignment can be done as indicated in Figure 6.42. This assignment leads to the following next-state and output equations

$$Y = ab + ay + by$$

$$s = a \oplus b \oplus y$$

Comparing these expressions with those for the full-adder in Section 3.2, it is obvious that  $y$  is the carry-in,  $Y$  is the carry-out, and  $s$  is the sum of the full-adder. Therefore, the adder FSM box in Figure 6.39 consists of the circuit shown in Figure 6.43. The flip-flop can be cleared by the *Reset* signal at the start of the addition operation.

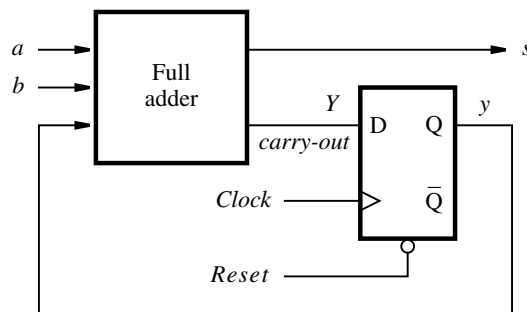
The serial adder is a simple circuit that can be used to add numbers of any length. The structure in Figure 6.39 is limited in length only by the size of the shift registers.

Present state	Next state				Output $s$			
	$ab = 00$	$01$	$10$	$11$	$00$	$01$	$10$	$11$
G	G	G	G	H	0	1	1	0
H	G	H	H	H	1	0	0	1

**Figure 6.41** State table for the serial adder FSM.

Present state	Next state				Output			
	$ab = 00$	$01$	$10$	$11$	$00$	$01$	$10$	$11$
$y$	$Y$				$s$			
0	0	0	0	1	0	1	1	0
1	0	1	1	1	1	0	0	1

**Figure 6.42** State-assigned table for Figure 6.41.



**Figure 6.43** Circuit for the adder FSM in Figure 6.39.

## 6.5.2 MOORE-TYPE FSM FOR SERIAL ADDER

In the preceding example we saw that a Mealy-type FSM nicely meets the requirement for implementing the serial adder. Now we will try to achieve the same objective using a Moore-type FSM. A good starting point is the state diagram in Figure 6.40. In a Moore-type FSM, the output must depend only on the state of the machine. Since in both states,  $G$  and  $H$ , it is possible to produce two different outputs depending on the valuations of the inputs



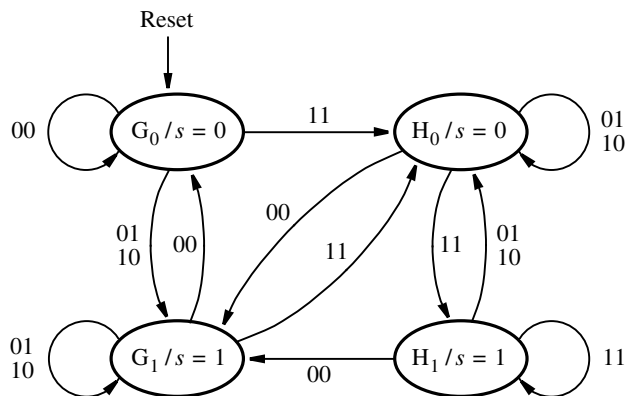
$a$  and  $b$ , a Moore-type FSM will need more than two states. We can derive a suitable state diagram by splitting both  $G$  and  $H$  into two states. Instead of  $G$ , we will use  $G_0$  and  $G_1$  to denote the fact that the carry is 0 and that the sum is either 0 or 1, respectively. Similarly, instead of  $H$ , we will use  $H_0$  and  $H_1$ . Then the information in Figure 6.40 can be mapped into the Moore-type state diagram in Figure 6.44 in a straightforward manner.

The corresponding state table is given in Figure 6.45 and the state-assigned table in Figure 6.46. The next-state and output expressions are

$$\begin{aligned} Y_1 &= a \oplus b \oplus y_2 \\ Y_2 &= ab + ay_2 + by_2 \\ s &= y_1 \end{aligned}$$

The expressions for  $Y_1$  and  $Y_2$  correspond to the sum and carry-out expressions in the full-adder circuit. The FSM is implemented as shown in Figure 6.47. It is interesting to observe that this circuit is very similar to the circuit in Figure 6.43. The only difference is that in the Moore-type circuit, the output signal,  $s$ , is passed through an extra flip-flop and thus delayed by one clock cycle with respect to the Mealy-type sequential circuit. Recall that we observed the same difference in our previous example, as depicted in Figures 6.26 and 6.27.

A key difference between the Mealy and Moore types of FSMs is that in the former a change in inputs reflects itself immediately in the outputs, while in the latter the outputs do not change until the change in inputs forces the machine into a new state, which takes place one clock cycle later. We encourage the reader to draw the timing diagrams for the circuits in Figures 6.43 and 6.47, which will exemplify further this key difference between the two types of FSMs.



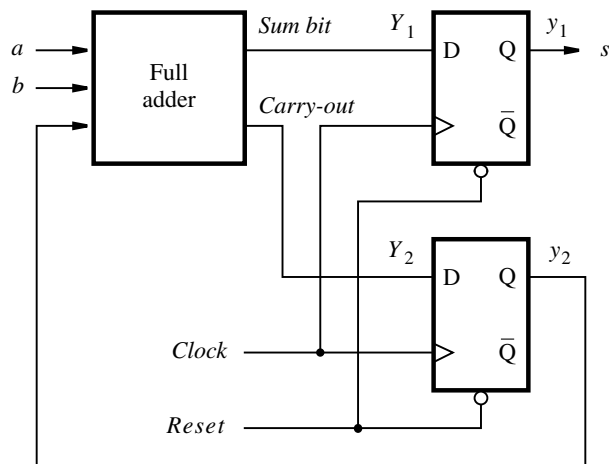
**Figure 6.44** State diagram for the Moore-type serial adder FSM.

Present state	Next state				Output $s$
	$ab = 00$	01	10	11	
$G_0$	$G_0$	$G_1$	$G_1$	$H_0$	0
$G_1$	$G_0$	$G_1$	$G_1$	$H_0$	1
$H_0$	$G_1$	$H_0$	$H_0$	$H_1$	0
$H_1$	$G_1$	$H_0$	$H_0$	$H_1$	1

**Figure 6.45** State table for the Moore-type serial adder FSM.

Present state $y_2y_1$	Next state				Output $s$
	$ab = 00$	01	10	11	
00	00	01	01	10	0
01	00	01	01	10	1
10	01	10	10	11	0
11	01	10	10	11	1

**Figure 6.46** State-assigned table for Figure 6.45.



**Figure 6.47** Circuit for the Moore-type serial adder FSM.

### 6.5.3 VERILOG CODE FOR THE SERIAL ADDER

The serial adder can be described in Verilog by writing code for the shift registers and the adder FSM. We will first design the shift register and then use it as a subcircuit in the serial adder.

#### Shift Register Subcircuit

In the serial adder it is beneficial to have the ability to prevent the shift register contents from changing when an active clock edge occurs. Figure 6.48 gives the code for a shift register named *shiftrne*, which has an enable input, *E*. When  $E = 1$ , the contents of the register are shifted left-to-right on the positive edge of the clock. Setting  $E = 0$  prevents the contents of the shift register from changing.

#### Complete Code

The code for the serial adder is shown in Figure 6.49. It instantiates three shift registers for the inputs *A* and *B* and the output *Sum*. The shift registers are loaded with parallel data when the circuit is reset. The state diagram for the adder FSM is described by two **always** blocks, using the style of code in Figure 6.36. In addition to the components of the serial adder shown in Figure 6.39, the Verilog code includes a down-counter to determine when the adder should be halted because all *n* bits of the required sum are present in the output shift register. When the circuit is reset, the counter is loaded with the number of bits in the serial adder, *n*. The counter counts down to 0, and then stops and disables further changes in the output shift register.

```

module shiftrne (R, L, E, w, Clock, Q);
  parameter n = 8;
  input [n-1:0] R;
  input L, E, w, Clock;
  output reg [n-1:0] Q;
  integer k;

  always @(posedge Clock)
    if (L)
      Q <= R;
    else if (E)
      begin
        for (k = n-1; k > 0; k = k-1)
          Q[k-1] <= Q[k];
        Q[n-1] <= w;
      end
endmodule

```

**Figure 6.48** Code for a left-to-right shift register with an enable input.

```

module serial_adder(A, B, Reset, Clock, Sum);
  input [7:0] A, B;
  input Reset, Clock;
  output wire [7:0] Sum;
  reg [3:0] Count;
  reg s, y, Y;
  wire [7:0] QA, QB;
  wire Run;
  parameter G = 1'b0, H = 1'b1;

  shiftreg shift_A (A, Reset, 1'b1, 1'b0, Clock, QA);
  shiftreg shift_B (B, Reset, 1'b1, 1'b0, Clock, QB);
  shiftreg shift_Sum (8'b0, Reset, Run, s, Clock, Sum);

  // Adder FSM
  // Output and next state combinational circuit
  always @(QA, QB, y)
    case (y)
      G: begin
          s = QA[0] ^ QB[0];
          if (QA[0] & QB[0]) Y = H;
          else Y = G;
        end
      H: begin
          s = QA[0] ~ ^ QB[0];
          if (~QA[0] & ~QB[0]) Y = G;
          else Y = H;
        end
      default: Y = G;
    endcase

  // Sequential block
  always @(posedge Clock)
    if (Reset) y <= G;
    else y <= Y;

  // Control the shifting process
  always @(posedge Clock)
    if (Reset) Count = 8;
    else if (Run) Count = Count - 1;
  assign Run = |Count;

endmodule

```

**Figure 6.49** Verilog code for the serial adder.

The code in Figure 6.49 implements a serial adder for eight-bit numbers. The wires  $QA$  and  $QB$  correspond to the parallel outputs of the shift registers with inputs  $A$  and  $B$  in Figure 6.39. The variable  $s$  represents the output of the adder FSM.

In Figure 6.39 the shift registers for inputs  $A$  and  $B$  do not use a serial input or an enable input. However, the *shiftrne* component, which is used for all three shift registers, includes these ports and so signals must be connected to them. The enable input for the two shift registers can be connected to logic value 1. The value shifted into the serial input does not matter, so it can be connected to either 1 or 0; we have chosen to connect it to 0. The shift registers are loaded in parallel by the *Reset* signal. We have chosen to use an active-high reset signal for the circuit. The output shift register does not need a parallel data input, so all 0s are connected to this input.

The first **always** block describes the state transitions and the output of the adder FSM in Figure 6.40. The output definition follows from observing in Figure 6.40 that when the FSM is in state  $G$ , the sum is  $s = a \oplus b$ , and when in state  $H$ , the sum is  $s = \overline{a \oplus b}$ . The second **always** block implements the flip-flop  $y$  and provides synchronous reset when  $Reset = 1$ .

The enable input for the output shift register is named *Run*. It is derived from the outputs of the down-counter specified in the third **always** block. When  $Reset = 1$ , *Count* is initialized to the value 8. Then as long as  $Run = 1$ , *Count* is decremented in each clock cycle. *Run* is set to 0 when *Count* is equal to 0, which is detected by using the reduction OR operator.

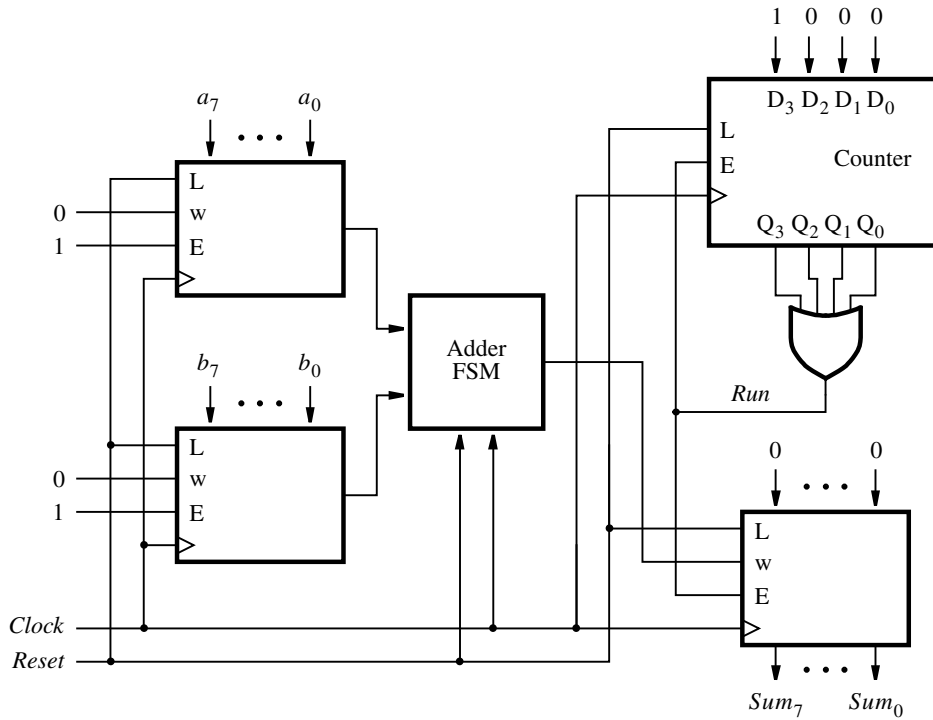
### Synthesis and Simulation of the Verilog Code

The results of synthesizing a circuit from the code in Figure 6.49 are illustrated in Figure 6.50*a*. The outputs of the counter are ORed to provide the *Run* signal, which enables clocking of both the output shift register and the counter. A sample of a timing simulation for the circuit is shown in Figure 6.50*b*. The circuit is first reset, resulting in the values of  $A$  and  $B$  being loaded into the input shift registers, and the value 8 loaded into the down-counter. After each clock cycle one pair of bits of the input numbers is added by the adder FSM, and the sum bit is shifted into the output shift register. After eight clock cycles the output shift register contains the correct sum, and shifting is halted by the *Run* signal becoming equal to 0.

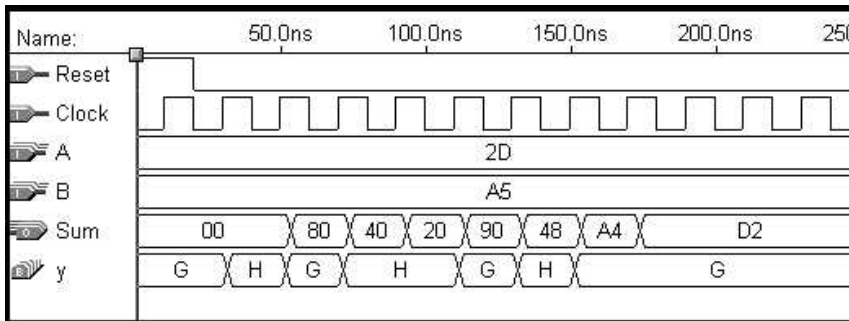
---

## 6.6 STATE MINIMIZATION

Our introductory examples of finite state machines were so simple that it was easy to see that the number of states that we used was the minimum possible to perform the required function. When a designer has to design a more complex FSM, it is likely that the initial attempt will result in a machine that has more states than is actually required. Minimizing the number of states is of interest because fewer flips-flops may be needed to represent the states and the complexity of the combinational circuit needed in the FSM may be reduced.



(a) Circuit



(b) Simulation Results

**Figure 6.50** Synthesized serial adder.

If the number of states in an FSM can be reduced, then some states in the original design must be equivalent to other states in their contribution to the overall behavior of the FSM. We can express this more formally in the following definition.

**Definition 6.1** – Two states  $S_i$  and  $S_j$  are said to be equivalent if and only if for every possible input sequence, the same output sequence will be produced regardless of whether  $S_i$  or  $S_j$  is the initial state.

It is possible to define a minimization procedure that searches for any states that are equivalent. Such a procedure is very tedious to perform manually, but it can be automated for use in CAD tools. We will not pursue it here, because of its tediousness. However, to provide some appreciation of the impact of state minimization, we will present an alternative approach, which is much more efficient but not quite as broad in scope.

Instead of trying to show that some states in a given FSM are equivalent, it is often easier to show that some states are definitely **not** equivalent. This idea can be exploited to define a simple minimization procedure.

### 6.6.1 PARTITIONING MINIMIZATION PROCEDURE

Suppose that a state machine has a single input  $w$ . Then if the input signal  $w = 0$  is applied to this machine in state  $S_i$  and the result is that the machine moves to state  $S_u$ , we will say that  $S_u$  is a 0-successor of  $S_i$ . Similarly, if  $w = 1$  is applied in the state  $S_i$  and it causes the machine to move to state  $S_v$ , we will say that  $S_v$  is a 1-successor of  $S_i$ . In general, we will refer to the successors of  $S_i$  as its  $k$ -successors. When the FSM has only one input,  $k$  can be either 0 or 1. But if there are multiple inputs to the FSM, then  $k$  represents the set of all possible combinations (valuations) of the inputs.

From Definition 6.1 it follows that if the states  $S_i$  and  $S_j$  are equivalent, then their corresponding  $k$ -successors (for all  $k$ ) are also equivalent. Using this fact, we can formulate a minimization procedure that involves considering the states of the machine as a set and then breaking the set into *partitions* that comprise subsets that are definitely not equivalent.

**Definition 6.2** – A partition consists of one or more blocks, where each block comprises a subset of states that may be equivalent, but the states in a given block are definitely not equivalent to the states in other blocks.

Let us assume initially that all states are equivalent; this forms the initial partition,  $P_1$ , in which all states are in the same block. As the next step, we will form the partition  $P_2$  in which the set of states is partitioned into blocks such that the states in each block generate the same output values. Obviously, the states that generate different outputs cannot possibly be equivalent. Then we will continue to form new partitions by testing whether the  $k$ -successors of the states in each block are contained in one block. Those states whose  $k$ -successors are in different blocks cannot be in one block. Thus new blocks are formed in each new partition. The process ends when a new partition is the same as the previous partition. Then all states in any one block are equivalent. To illustrate the procedure, consider Example 6.6.

Figure 6.51 shows a state table for a particular FSM. In an attempt to minimize the number of states, let us apply the partitioning procedure. The initial partition contains all states in a single block

**Example 6.6**

$$P_1 = (ABCDEFGG)$$

The next partition separates the states that have different outputs (note that this FSM is of Moore type), which means that the states  $A$ ,  $B$ , and  $D$  must be different from the states  $C$ ,  $E$ ,  $F$ , and  $G$ . Thus the new partition has two blocks

$$P_2 = (ABD)(CEFG)$$

Now we must consider all 0- and 1-successors of the states in each block. For the block  $(ABD)$ , the 0-successors are  $(BDB)$ , respectively. Since all of these successor states are in the same block in  $P_2$ , we should still assume that the states  $A$ ,  $B$ , and  $D$  may be equivalent. The 1-successors for these states are  $(CFG)$ . Since these successors are also in the same block in  $P_2$ , we conclude that  $(ABD)$  should remain in one block of  $P_3$ . Next consider the block  $(CEFG)$ . Its 0-successors are  $(FEF)$ , respectively. They are in the same block in  $P_2$ . The 1-successors are  $(ECDG)$ . Since these states are not in the same block in  $P_2$ , it means that at least one of the states in the block  $(CEFG)$  is not equivalent to the others. In particular, the state  $F$  must be different from the states  $C$ ,  $E$ , and  $G$  because its 1-successor is  $D$ , which is in a different block than  $C$ ,  $E$ , and  $G$ . Hence

$$P_3 = (ABD)(CEG)(F)$$

Repeating the process yields the following. The 0-successors of  $(ABD)$  are  $(BDB)$ , which are in the same block of  $P_3$ . The 1-successors are  $(CFG)$ , which are not in the same block. Since  $F$  is in a different block than  $C$  and  $G$ , it follows that the state  $B$  cannot be equivalent to states  $A$  and  $D$ . The 0- and 1-successors of  $(CEG)$  are  $(FFF)$  and  $(ECG)$ , respectively. Both of these subsets are accommodated in the blocks of  $P_3$ . Therefore

$$P_4 = (AD)(B)(CEG)(F)$$

Present state	Next state		Output $z$
	$w = 0$	$w = 1$	
A	B	C	1
B	D	F	1
C	F	E	0
D	B	G	1
E	F	C	0
F	E	D	0
G	F	G	0

**Figure 6.51** State table for Example 6.6.



Present state	Next state		Output $z$
	$w = 0$	$w = 1$	
A	B	C	1
B	A	F	1
C	F	C	0
F	C	A	0

**Figure 6.52** Minimized state table for Example 6.6.

If we follow the same approach to check the 0- and 1-successors of the blocks ( $AD$ ) and ( $CEG$ ), we find that

$$P_5 = (AD)(B)(CEG)(F)$$

Since  $P_5 = P_4$  and no new blocks are generated, it follows that states in each block are equivalent. If the states in some block were not equivalent, then their  $k$ -successors would have to be in different blocks. Therefore, states  $A$  and  $D$  are equivalent, and  $C$ ,  $E$ , and  $G$  are equivalent. Since each block can be represented by a single state, only four states are needed to implement the FSM defined by the state table in Figure 6.51. If we let the symbol  $A$  represent both the states  $A$  and  $D$  in the figure and the symbol  $C$  represent the states  $C$ ,  $E$ , and  $G$ , then the state table reduces to the state table in Figure 6.52.

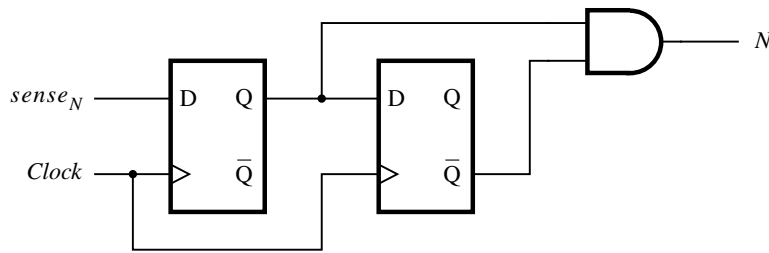
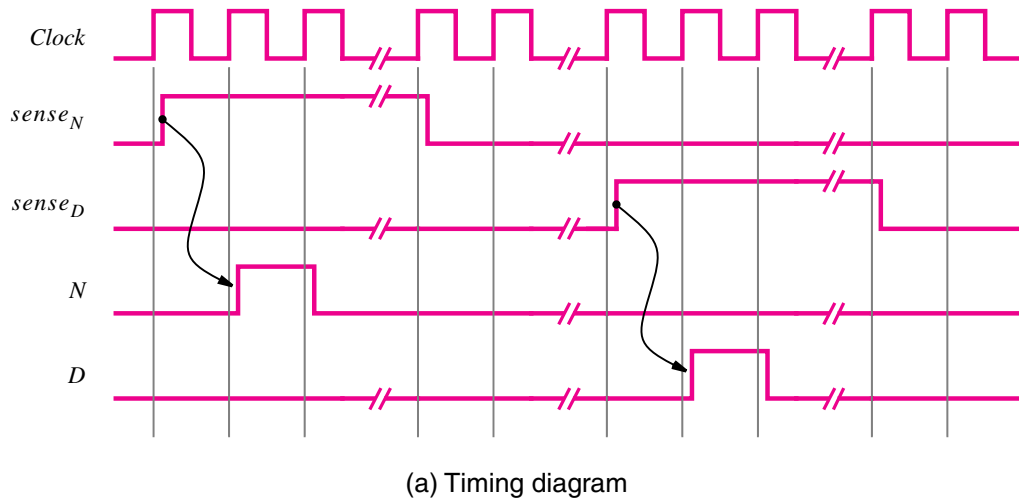
The effect of the minimization is that we have found a solution that requires only two flip-flops to realize the four states of the minimized state table, instead of needing three flip-flops for the original design. The expectation is that the FSM with fewer states will be simpler to implement, although this is not always the case.

The state minimization concept is based on the fact that two different FSMs may exhibit identical behavior in terms of the outputs produced in response to all possible inputs. Such machines are functionally equivalent, even though they are implemented with circuits that may be vastly different. In general, it is not easy to determine whether or not two arbitrary FSMs are equivalent. Our minimization procedure ensures that a simplified FSM is functionally equivalent to the original one. We encourage the reader to get an intuitive feeling that the FSMs in Figures 6.51 and 6.52 are indeed functionally equivalent by implementing both machines and simulating their behavior using the CAD tools.

---

**Example 6.7** As another example of minimization, we will consider the design of a sequential circuit that could control a vending machine. Suppose that a coin-operated vending machine dispenses candy under the following conditions:

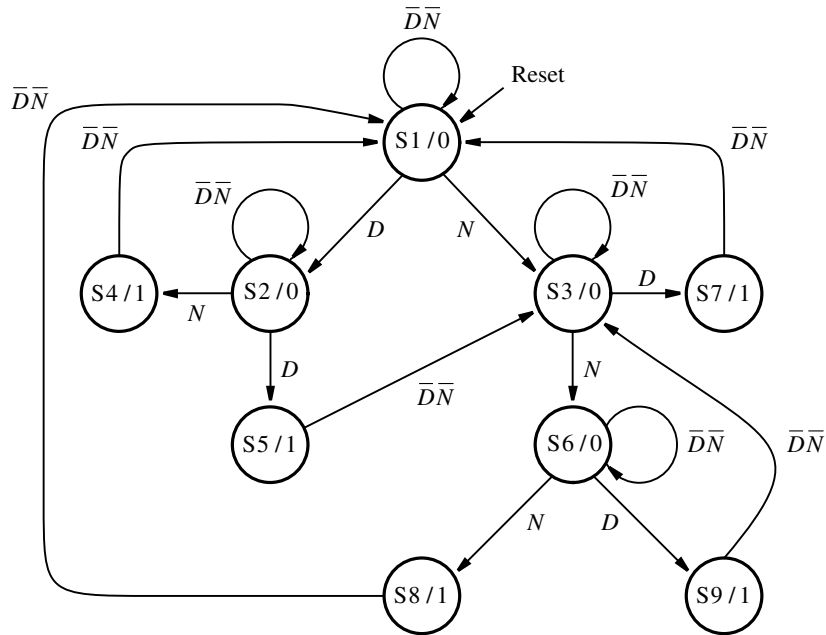
- The machine accepts nickels and dimes.
- It takes 15 cents for a piece of candy to be released from the machine.



**Figure 6.53** Signals for the vending machine.

- If 20 cents is deposited, the machine will not return the change, but it will credit the buyer with 5 cents and wait for the buyer to make a second purchase.

All electronic signals in the vending machine are synchronized to the positive edge of a clock signal, named *Clock*. The exact frequency of the clock signal is not important for our example, but we will assume a clock period of 100 ns. The vending machine's coin-receptor mechanism generates two signals,  $sense_D$  and  $sense_N$ , which are asserted when a dime or a nickel is detected. Because the coin receptor is a mechanical device and thus very slow compared to an electronic circuit, inserting a coin causes  $sense_D$  or  $sense_N$  to be set to 1 for a large number of clock cycles. We will assume that the coin receptor also generates two other signals, named  $D$  and  $N$ . The  $D$  signal is set to 1 for one clock cycle after  $sense_D$  becomes 1, and  $N$  is set to 1 for one clock cycle after  $sense_N$  becomes 1. The timing relationships between *Clock*,  $sense_D$ ,  $sense_N$ ,  $D$ , and  $N$  are illustrated in Figure 6.53a. The hash marks



**Figure 6.54** State diagram for Example 6.7.

on the waveforms indicate that  $sense_D$  or  $sense_N$  may be 1 for many clock cycles. Also, there may be an arbitrarily long time between the insertion of two consecutive coins. Note that since the coin receptor can accept only one coin at a time, it is not possible to have both  $D$  and  $N$  set to 1 at once. Figure 6.53b illustrates how the  $N$  signal may be generated from the  $sense_N$  signal.

Based on these assumptions, we can develop an initial state diagram in a fairly straightforward manner, as indicated in Figure 6.54. The inputs to the FSM are  $D$  and  $N$ , and the starting state is  $S1$ . As long as  $D = N = 0$ , the machine remains in state  $S1$ , which is indicated by the arc labeled  $\overline{D} \cdot \overline{N} = 1$ . Inserting a dime leads to state  $S2$ , while inserting a nickel leads to state  $S3$ . In both cases the deposited amount is less than 15 cents, which is not sufficient to release the candy. This is indicated by the output,  $z$ , being equal to 0, as in  $S2/0$  and  $S3/0$ . The machine will remain in state  $S2$  or  $S3$  until another coin is deposited because  $D = N = 0$ . In state  $S2$  a nickel will cause a transition to  $S4$  and a dime to  $S5$ . In both of these states, sufficient money is deposited to activate the output mechanism that releases the candy; hence the state nodes have the labels  $S4/1$  and  $S5/1$ . In  $S4$  the deposited amount is 15 cents, which means that on the next active clock edge the machine should return to the reset state  $S1$ . The condition  $\overline{D} \cdot \overline{N}$  on the arc leaving  $S4$  is guaranteed to be true because the machine remains in state  $S4$  for only 100 ns, which is far too short a time for a new coin to have been deposited.

Present state	Next state				Output $z$
	$DN = 00$	01	10	11	
S1	S1	S3	S2	-	0
S2	S2	S4	S5	-	0
S3	S3	S6	S7	-	0
S4	S1	-	-	-	1
S5	S3	-	-	-	1
S6	S6	S8	S9	-	0
S7	S1	-	-	-	1
S8	S1	-	-	-	1
S9	S3	-	-	-	1

**Figure 6.55** State table for Example 6.7.

The state  $S5$  denotes that an amount of 20 cents has been deposited. The candy is released, and on the next clock edge the FSM makes a transition to state  $S3$ , which represents a credit of 5 cents. A similar reasoning when the machine is in state  $S3$  leads to states  $S6$  through  $S9$ . This completes the state diagram for the desired FSM. A state table version of the same information is given in Figure 6.55.

Note that the condition  $D = N = 1$  is denoted as don't care in the table. Note also other don't cares in states  $S4$ ,  $S5$ ,  $S7$ ,  $S8$ , and  $S9$ . They correspond to cases where there is no need to check the  $D$  and  $N$  signals because the machine changes to another state in an amount of time that is too short for a new coin to have been inserted.

Using the minimization procedure, we obtain the following partitions

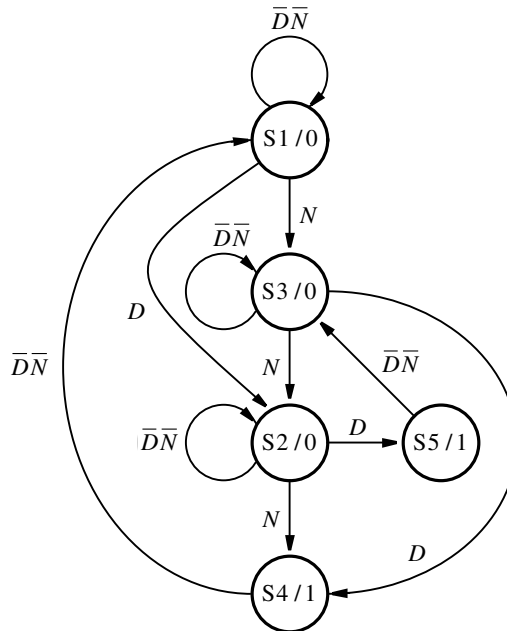
$$\begin{aligned}
 P_1 &= (S1, S2, S3, S4, S5, S6, S7, S8, S9) \\
 P_2 &= (S1, S2, S3, S6)(S4, S5, S7, S8, S9) \\
 P_3 &= (S1)(S3)(S2, S6)(S4, S5, S7, S8, S9) \\
 P_4 &= (S1)(S3)(S2, S6)(S4, S7, S8)(S5, S9) \\
 P_5 &= (S1)(S3)(S2, S6)(S4, S7, S8)(S5, S9)
 \end{aligned}$$

The final partition has five blocks. Let  $S2$  denote its equivalence to  $S6$ , let  $S4$  denote the same with respect to  $S7$  and  $S8$ , and let  $S5$  represent  $S9$ . This leads to the minimized state table in Figure 6.56. The actual circuit that implements this table can be designed as explained in the previous sections.

In this example we used a straightforward approach to derive the original state diagram, which we then minimized using the partitioning procedure. Figure 6.57 presents the information in the state table of Figure 6.56 in the form of a state diagram. Looking at this diagram, the reader can probably see that it may have been quite feasible to derive the optimized diagram directly, using the following reasoning. Suppose that the states correspond to the various amounts of money deposited. In particular, the states,  $S1$ ,  $S3$ ,  $S2$ ,

Present state	Next state				Output $z$
	$DN = 00$	01	10	11	
S1	S1	S3	S2	—	0
S2	S2	S4	S5	—	0
S3	S3	S2	S4	—	0
S4	S1	—	—	—	1
S5	S3	—	—	—	1

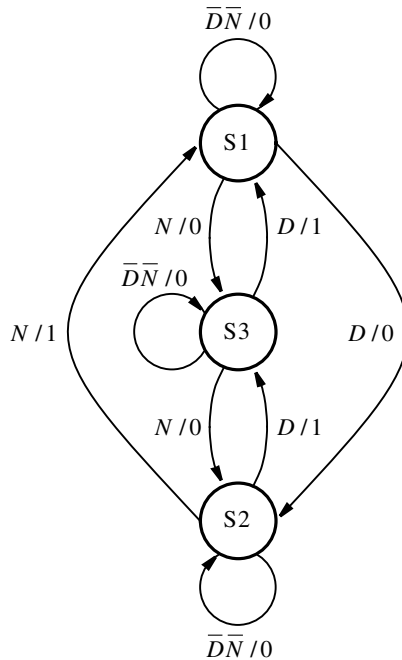
**Figure 6.56** Minimized state table for Example 6.7.



**Figure 6.57** Minimized state diagram for Example 6.7.

$S_4$ , and  $S_5$  correspond to the amounts of 0, 5, 10, 15, and 20 cents, respectively. With this interpretation of the states, it is not difficult to derive the transition arcs that define the desired FSM. In practice, the designer can often produce initial designs that do not have a large number of superfluous states.

We have found a solution that requires five states, which is the minimum number of states for a Moore-type FSM that realizes the desired vending control task. From Section 6.3 we know that Mealy-type FSMs may need fewer states than Moore-type machines,



**Figure 6.58** Mealy-type FSM for Example 6.7.

although they do not necessarily lead to simpler overall implementations. If we use the Mealy model, we can eliminate states  $S_4$  and  $S_5$  in Figure 6.57. The result is shown in Figure 6.58. This version requires only three states, but the output functions become more complicated. The reader is encouraged to compare the complexity of implementations by completing the design steps for the FSMs in Figures 6.57 and 6.58.

### 6.6.2 INCOMPLETELY SPECIFIED FSMs

The partitioning scheme for minimization of states works well when all entries in the state table are specified. Such is the case for the FSM defined in Figure 6.51. FSMs of this type are said to be *completely specified*. If one or more entries in the state table are not specified, corresponding to don't-care conditions, then the FSM is said to be *incompletely specified*. An example of such an FSM is given in Figure 6.55. As seen in Example 6.7, the partitioning scheme works well for this FSM also. But in general, the partitioning scheme is less useful when incompletely specified FSMs are involved, as illustrated by Example 6.8.

Consider the FSM in Figure 6.59 which has four unspecified entries, because we have assumed that the input  $w = 1$  will not occur when the machine is in states  $B$  or  $G$ . Accordingly,

**Example 6.8**

Present state	Next state		Output $z$	
	$w = 0$	$w = 1$	$w = 0$	$w = 1$
A	B	C	0	0
B	D	—	0	—
C	F	E	0	1
D	B	G	0	0
E	F	C	0	1
F	E	D	0	1
G	F	—	0	—

**Figure 6.59** Incompletely specified state table for Example 6.8.

neither a state transition nor an output value is specified for these two cases. An important difference between this FSM and the one in Figure 6.55 is that some outputs in this FSM are unspecified, whereas in the other FSM all outputs are specified.

The partitioning minimization procedure can be applied to Mealy-type FSMs in the same way as for Moore-type FSMs illustrated in Examples 6.6 and 6.7. Two states are considered equivalent, and are thus placed in the same block of a partition, if their outputs are equal for all corresponding input valuations. To perform the partitioning process, we can assume that the unspecified outputs have a specific value. Not knowing whether these values should be 0 or 1, let us first assume that both unspecified outputs have a value of 0. Then the first two partitions are

$$P_1 = (ABCDEF G)$$

$$P_2 = (ABDG)(CEF)$$

Note that the states  $A$ ,  $B$ ,  $D$ , and  $G$  are in the same block because their outputs are equal to 0 for both  $w = 0$  and  $w = 1$ . Also, the states  $C$ ,  $E$ , and  $F$  are in one block because they have the same output behavior; they all generate  $z = 0$  if  $w = 0$ , and  $z = 1$  if  $w = 1$ . Continuing the partitioning procedure gives the remaining partitions

$$P_3 = (AB)(D)(G)(CE)(F)$$

$$P_4 = (A)(B)(D)(G)(CE)(F)$$

$$P_5 = P_4$$

The result is an FSM that is specified by six states.

Next consider the alternative of assuming that both unspecified outputs in Figure 6.59 have a value of 1. This would lead to the partitions

$$\begin{aligned}
 P_1 &= (ABCDEFGG) \\
 P_2 &= (AD)(BCEFG) \\
 P_3 &= (AD)(B)(CEFG) \\
 P_4 &= (AD)(B)(CEG)(F) \\
 P_5 &= P_4
 \end{aligned}$$

This solution involves four states. Evidently, the choice of values assigned to unspecified outputs is of considerable importance.

We will not pursue the issue of state minimization of incompletely specified FSMs any further. As we already mentioned, it is possible to develop a minimization technique that searches for equivalent states based directly on Definition 6.1. This approach is described in many books on logic design [2, 8–10, 12–14].

Finally, it is important to mention that reducing the number of states in a given FSM will not necessarily lead to a simpler implementation. Interestingly, the effect of state assignment, discussed in Section 6.2, may have a greater influence on the simplicity of implementation than does the state minimization. In a modern design environment, the designer relies on the CAD tools to implement state machines efficiently.

---

## 6.7 DESIGN OF A COUNTER USING THE SEQUENTIAL CIRCUIT APPROACH

In this section we discuss the design of a counter circuit as a finite state machine. From Chapter 5 we already know that counters can be realized as cascaded stages of flip-flops and some gating logic, where each stage divides the number of incoming pulses by two. To keep our example simple, we choose a counter of small size but also show how the design can be extended to larger sizes. The specification for the counter is

- The counting sequence is 0, 1, 2, . . . , 6, 7, 0, 1, . . .
- There exists an input signal  $w$ . The value of this signal is considered during each clock cycle. If  $w = 0$ , the present count remains the same; if  $w = 1$ , the count is incremented.

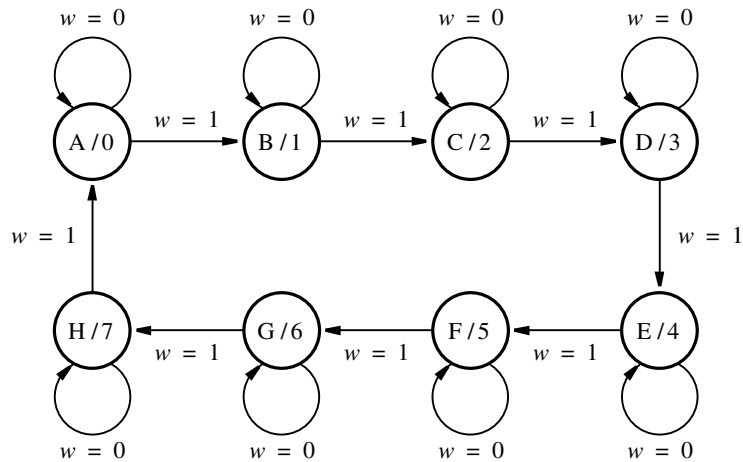
The counter can be designed as a synchronous sequential circuit using the design techniques introduced in the previous sections.

### 6.7.1 STATE DIAGRAM AND STATE TABLE FOR A MODULO-8 COUNTER

Figure 6.60 gives a state diagram for the desired counter. There is a state associated with each count. In the diagram state  $A$  corresponds to count 0, state  $B$  to count 1, and so on. We show the transitions between the states needed to implement the counting sequence. Note that the output signals are specified as depending only on the state of the counter at a given time, which is the Moore model of sequential circuits.

The state diagram may be represented in the state-table form as shown in Figure 6.61.





**Figure 6.60** State diagram for the counter.

Present state	Next state		Output
	$w = 0$	$w = 1$	
A	A	B	0
B	B	C	1
C	C	D	2
D	D	E	3
E	E	F	4
F	F	G	5
G	G	H	6
H	H	A	7

**Figure 6.61** State table for the counter.

### 6.7.2 STATE ASSIGNMENT

Three state variables are needed to represent the eight states. Let these variables, denoting the present state, be called  $y_2$ ,  $y_1$ , and  $y_0$ . Let  $Y_2$ ,  $Y_1$ , and  $Y_0$  denote the corresponding next-state functions. The most convenient (and simplest) state assignment is to encode each state with the binary number that the counter should give as output in that state. Then the required output signals will be the same as the signals that represent the state variables. This leads to the state-assigned table in Figure 6.62.

	Present state $y_2y_1y_0$	Next state		Count $z_2z_1z_0$
		$w = 0$	$w = 1$	
		$Y_2Y_1Y_0$	$Y_2Y_1Y_0$	
A	000	000	001	000
B	001	001	010	001
C	010	010	011	010
D	011	011	100	011
E	100	100	101	100
F	101	101	110	101
G	110	110	111	110
H	111	111	000	111

**Figure 6.62** State-assigned table for the counter.

The final step in the design is to choose the type of flip-flops and derive the expressions that control the flip-flop inputs. The most straightforward choice is to use D-type flip-flops. We pursue this approach first. Then we show the alternative of using JK-type flip-flops.

### 6.7.3 IMPLEMENTATION USING D-TYPE FLIP-FLOPS

When using D-type flip-flops to realize the finite state machine, each next-state function,  $Y_i$ , is connected to the  $D$  input of the flip-flop that implements the state variable  $y_i$ . The next-state functions are derived from the information in Figure 6.62. Using Karnaugh maps in Figure 6.63, we obtain the following implementation

$$D_0 = Y_0 = \bar{w}y_0 + wy_0$$

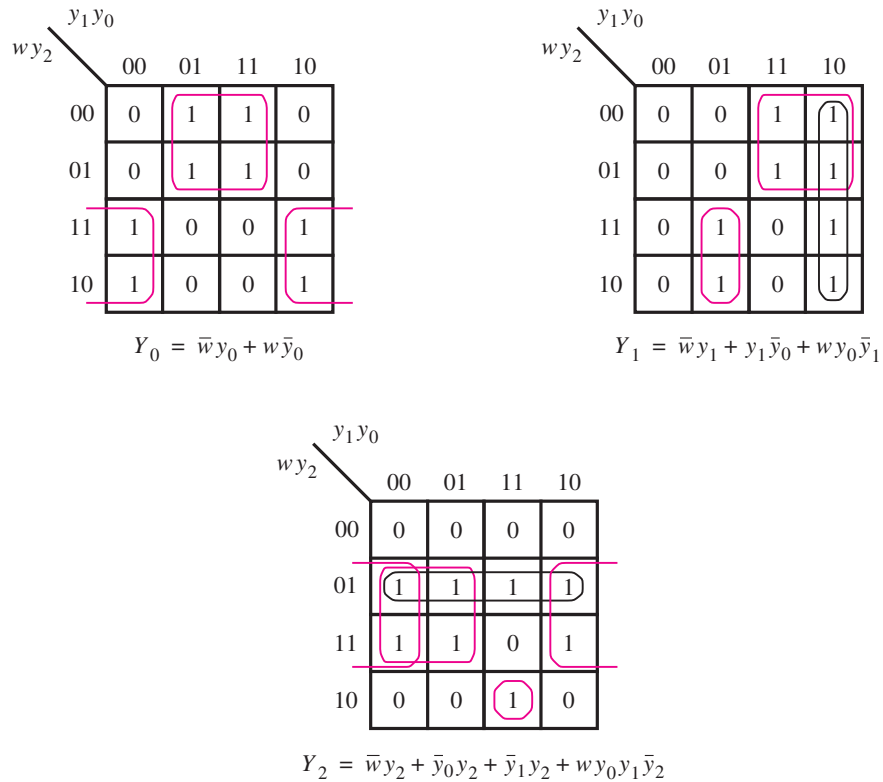
$$D_1 = Y_1 = \bar{w}y_1 + y_1\bar{y}_0 + wy_0\bar{y}_1$$

$$D_2 = Y_2 = \bar{w}y_2 + \bar{y}_0y_2 + \bar{y}_1y_2 + wy_0y_1\bar{y}_2$$

The resulting circuit is given in Figure 6.64. It is not obvious how to extend this circuit to implement a larger counter, because no clear pattern is discernible in the expressions for  $D_0$ ,  $D_1$ , and  $D_2$ . However, we can rewrite these expressions as follows

$$\begin{aligned} D_0 &= \bar{w}y_0 + wy_0 \\ &= w \oplus y_0 \end{aligned}$$

$$\begin{aligned} D_1 &= \bar{w}y_1 + y_1\bar{y}_0 + wy_0\bar{y}_1 \\ &= (\bar{w} + \bar{y}_0)y_1 + wy_0\bar{y}_1 \\ &= \bar{w}\bar{y}_0y_1 + wy_0\bar{y}_1 \\ &= wy_0 \oplus y_1 \end{aligned}$$



**Figure 6.63** Karnaugh maps for D flip-flops for the counter.

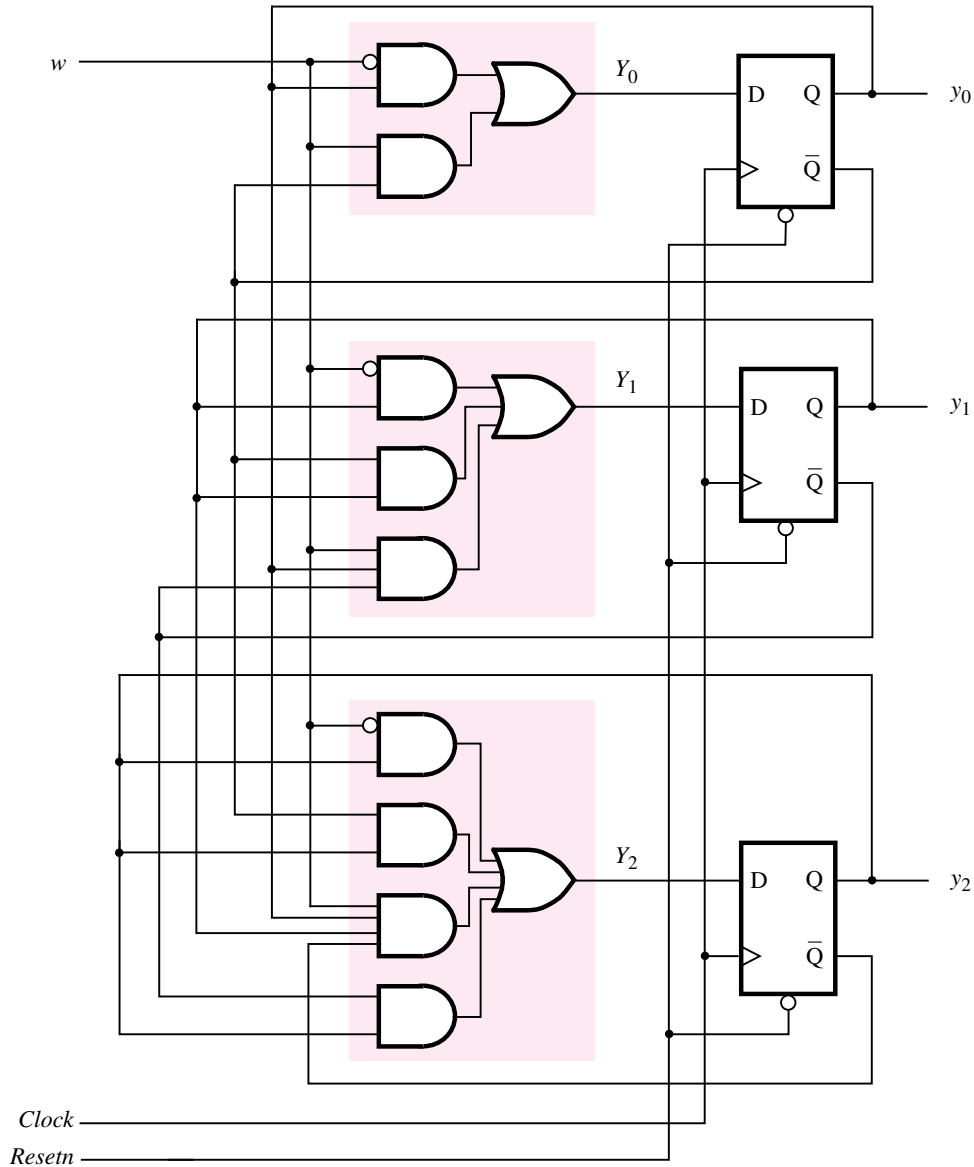
$$\begin{aligned}
 D_2 &= \bar{w}y_2 + \bar{y}_0y_2 + \bar{y}_1y_2 + wy_0y_1\bar{y}_2 \\
 &= (\bar{w} + \bar{y}_0 + \bar{y}_1)y_2 + wy_0y_1\bar{y}_2 \\
 &= \overline{wy_0y_1}y_2 + wy_0y_1\bar{y}_2 \\
 &= wy_0y_1 \oplus y_2
 \end{aligned}$$

Then an obvious pattern emerges, which leads to the circuit in Figure 5.23.

### 6.7.4 IMPLEMENTATION USING JK-TYPE FLIP-FLOPS

JK-type flip-flops provide an attractive alternative. Using these flip-flops to implement the sequential circuit specified in Figure 6.62 requires derivation of  $J$  and  $K$  inputs for each flip-flop. The following control is needed:

- If a flip-flop in state 0 is to remain in state 0, then  $J = 0$  and  $K = d$  (where  $d$  means that  $K$  can be equal to either 0 or 1).
- If a flip-flop in state 0 is to change to state 1, then  $J = 1$  and  $K = d$ .



**Figure 6.64** Circuit diagram for the counter implemented with D flip-flops.

- If a flip-flop in state 1 is to remain in state 1, then  $J = d$  and  $K = 0$ .
- If a flip-flop in state 1 is to change to state 0, then  $J = d$  and  $K = 1$ .

Following these guidelines, we can create a truth table that specifies the required values of the  $J$  and  $K$  inputs for the three flip-flops in our design. Figure 6.65 shows a modified version of the state-assigned table in Figure 6.62, with the  $J$  and  $K$  input functions included. To see how this table is derived, consider the first row in which the present state is

	Present state $y_2y_1y_0$	Flip-flop inputs								Count $z_2z_1z_0$
		$w = 0$				$w = 1$				
		$Y_2Y_1Y_0$	$J_2K_2$	$J_1K_1$	$J_0K_0$	$Y_2Y_1Y_0$	$J_2K_2$	$J_1K_1$	$J_0K_0$	
A	000	000	0d	0d	0d	001	0d	0d	1d	000
B	001	001	0d	0d	d0	010	0d	1d	d1	001
C	010	010	0d	d0	0d	011	0d	d0	1d	010
D	011	011	0d	d0	d0	100	1d	d1	d1	011
E	100	100	d0	0d	0d	101	d0	0d	1d	100
F	101	101	d0	0d	d0	110	d0	1d	d1	101
G	110	110	d0	d0	0d	111	d0	d0	1d	110
H	111	111	d0	d0	d0	000	d1	d1	d1	111

**Figure 6.65** Excitation table for the counter with JK flip-flops.

$y_2y_1y_0 = 000$ . If  $w = 0$ , then the next state is also  $Y_2Y_1Y_0 = 000$ . Thus the present value of each flip-flop is 0, and it should remain 0. This implies the control  $J = 0$  and  $K = d$  for all three flip-flops. Continuing with the first row, if  $w = 1$ , the next state will be  $Y_2Y_1Y_0 = 001$ . Thus flip-flops  $y_2$  and  $y_1$  still remain at 0 and have the control  $J = 0$  and  $K = d$ . However, flip-flop  $y_0$  must change from 0 to 1, which is accomplished with  $J = 1$  and  $K = d$ . The rest of the table is derived in the same manner by considering each present state  $y_2y_1y_0$  and providing the necessary control signals to reach the new state  $Y_2Y_1Y_0$ .

A state-assigned table is essentially the state table in which each state is encoded using the state variables. When D flip-flops are used to implement an FSM, the next-state entries in the state-assigned table correspond directly to the signals that must be applied to the  $D$  inputs. This is not the case if some other type of flip-flops is used. A table that gives the state information in the form of the flip-flop inputs that must be “excited” to cause the transitions to the next states is usually called an *excitation table*. The excitation table in Figure 6.65 indicates how JK flip-flops can be used. In many books the term excitation table is used even when D flip-flops are involved, in which case it is synonymous with the state-assigned table.

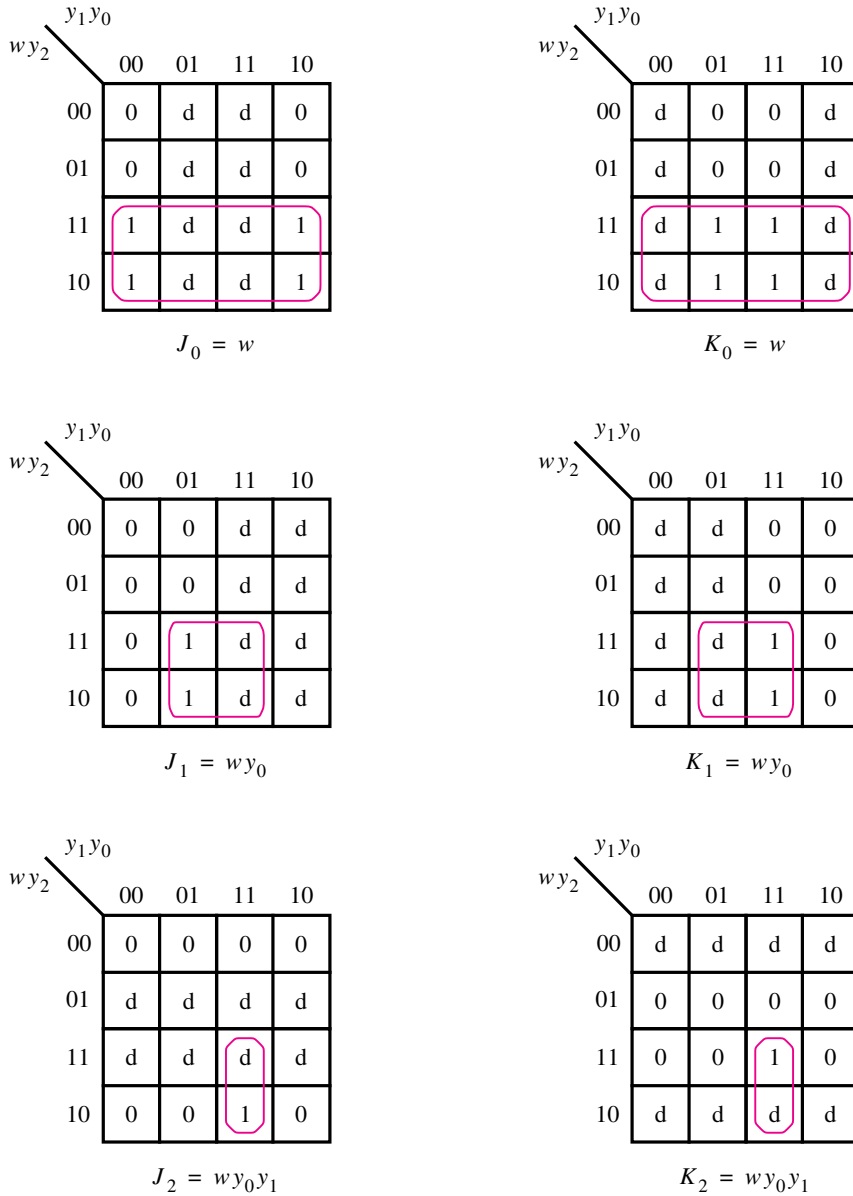
Once the table in Figure 6.65 has been derived, it provides a truth table with inputs  $y_2$ ,  $y_1$ ,  $y_0$ , and  $w$ , and outputs  $J_2$ ,  $K_2$ ,  $J_1$ ,  $K_1$ ,  $J_0$ , and  $K_0$ . We can then derive expressions for these outputs as shown in Figure 6.66. The resulting expressions are

$$J_0 = K_0 = w$$

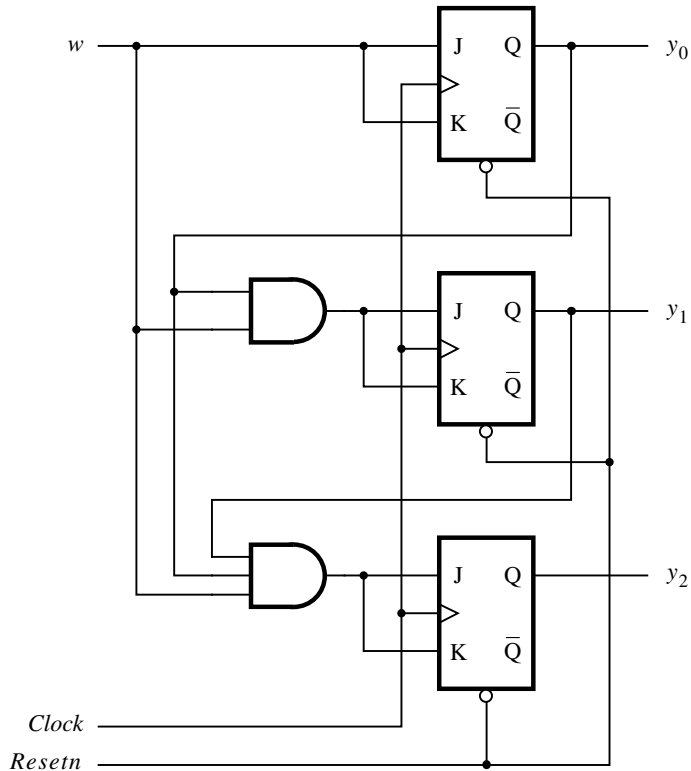
$$J_1 = K_1 = wy_0$$

$$J_2 = K_2 = wy_0y_1$$

This leads to the circuit shown in Figure 6.67. It is apparent that this design can be extended easily to larger counters. The pattern  $J_n = K_n = wy_0y_1 \cdots y_{n-1}$  defines the circuit for each stage in the counter. Note that the size of the AND gate that implements the product term



**Figure 6.66** Karnaugh maps for JK flip-flops in the counter.



**Figure 6.67** Circuit diagram using JK flip-flops.

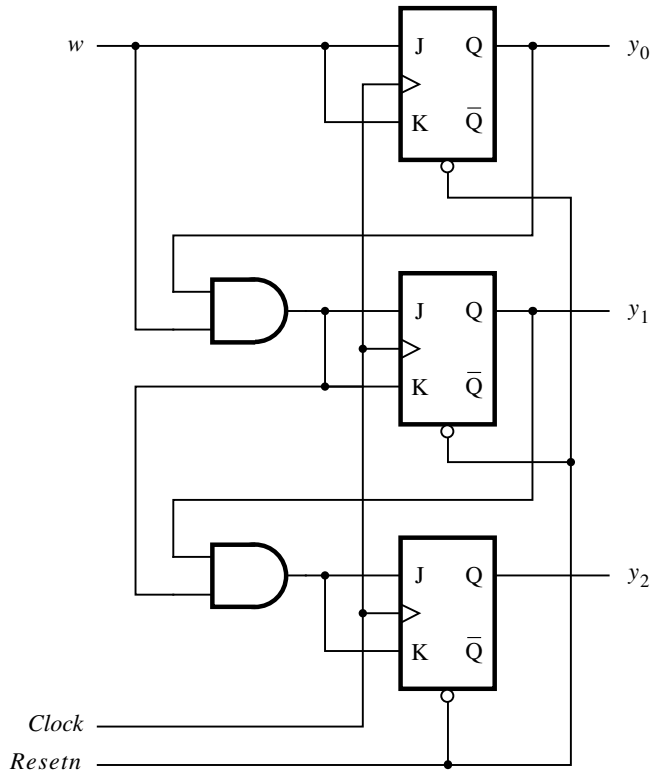
$y_0y_1 \cdots y_{n-1}$  grows with successive stages. A circuit with a more regular structure can be obtained by factoring out the previously needed terms as we progress through the stages of the counter. This gives

$$\begin{aligned}
 J_2 = K_2 &= (wy_0)y_1 && = J_1y_1 \\
 J_n = K_n &= (wy_0 \cdots y_{n-2})y_{n-1} && = J_{n-1}y_{n-1}
 \end{aligned}$$

Using the factored form, the counter circuit can be realized as indicated in Figure 6.68. In this circuit all stages (except the first) look the same. Note that this circuit has the same structure as the circuit in Figure 5.22 because connecting the  $J$  and  $K$  inputs of a flip-flop together turns the flip-flop into a T flip-flop.

### 6.7.5 EXAMPLE—A DIFFERENT COUNTER

Having considered the design of an ordinary counter, we will now apply this knowledge to design a slightly different counterlike circuit. Suppose that we wish to derive a three-bit counter that counts the pulses on an input line,  $w$ . But instead of displaying the count as 0, 1, 2, 3, 4, 5, 6, 7, 0, 1, . . . , this counter must display the count in the sequence



**Figure 6.68** Factored-form implementation of the counter.

0, 4, 2, 6, 1, 5, 3, 7, 0, 4, and so on. The count is to be represented directly by the flip-flop values themselves, without using any extra gates. Namely,  $\text{Count} = Q_2Q_1Q_0$ .

Since we wish to count the pulses on the input line  $w$ , it makes sense to use  $w$  as the clock input to the flip-flops. Thus the counter circuit should always be enabled, and it should change its state whenever the next pulse on the  $w$  line appears. The desired counter can be designed in a straightforward manner using the FSM approach. Figures 6.69 and 6.70 give the required state table and a suitable state assignment. Using D flip-flops, we obtain the next-state equations

$$D_2 = Y_2 = \bar{y}_2$$

$$D_1 = Y_1 = y_1 \oplus y_2$$

$$D_0 = Y_0 = y_0\bar{y}_1 + y_0\bar{y}_2 + \bar{y}_0y_1y_2$$

$$= y_0(\bar{y}_1 + \bar{y}_2) + \bar{y}_0y_1y_2$$

$$= y_0 \oplus y_1y_2$$

This leads to the circuit in Figure 6.71.



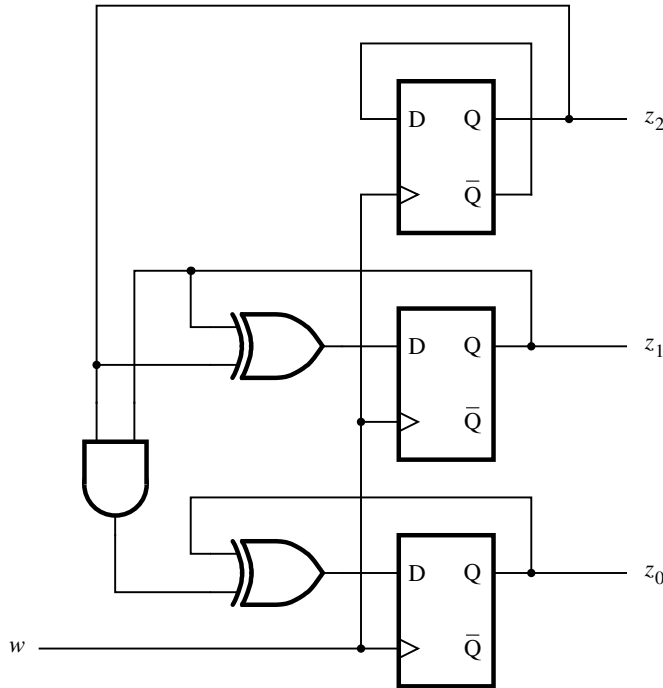
Present state	Next state	Output $z_2z_1z_0$
A	B	000
B	C	100
C	D	010
D	E	110
E	F	001
F	G	101
G	H	011
H	A	111

**Figure 6.69** State table for the counterlike example.

Present state $y_2y_1y_0$	Next state $Y_2Y_1Y_0$	Output $z_2z_1z_0$
000	100	000
100	010	100
010	110	010
110	001	110
001	101	001
101	011	101
011	111	011
111	000	111

**Figure 6.70** State-assigned table for Figure 6.69.

The reader should compare this circuit with the normal up-counter in Figure 5.23. Take the first three stages of that counter, set the *Enable* input to 1, and let *Clock* = *w*. Then the two circuits are essentially the same with one small difference in the order of bits in the count. In Figure 5.23 the top flip-flop corresponds to the least-significant bit of the count, whereas in Figure 6.71 the top flip-flop corresponds to the most-significant bit of the count. This is not just a coincidence. In Figure 6.70 the required count is defined as  $Count = y_2y_1y_0$ . However, if the bit patterns that define the states are viewed in the reverse order and interpreted as binary numbers, such that  $Count = y_0y_1y_2$ , then the states



**Figure 6.71** Circuit for Figure 6.70.

$A, B, C, \dots, H$  have the values  $0, 1, 2, \dots, 7$ . These values are the same as the values that are associated with the normal three-bit up-counter.

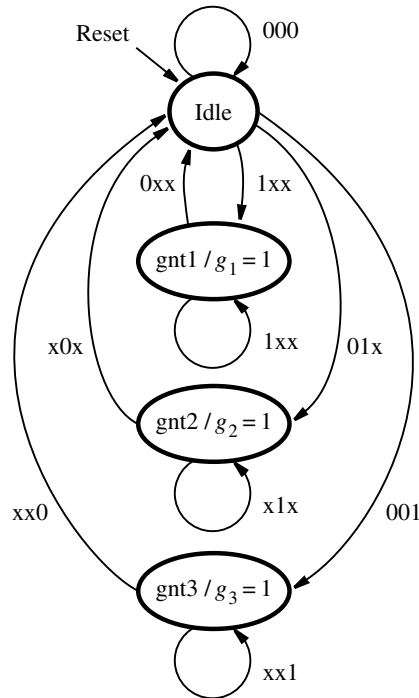
## 6.8 FSM AS AN ARBITER CIRCUIT

In this section we present the design of an FSM that is slightly more complex than the previous examples. The purpose of the machine is to control access by various devices to a shared resource in a given system. Only one device can use the resource at a time. Assume that all signals in the system can change values only following the positive edge of the clock signal. Each device provides one input to the FSM, called a *request*, and the FSM produces a separate output for each device, called a *grant*. A device indicates its need to use the resource by asserting its request signal. Whenever the shared resource is not already in use, the FSM considers all requests that are active. Based on a priority scheme, it selects one of the requesting devices and asserts its grant signal. When the device is finished using the resource, it deasserts its request signal.

We will assume that there are three devices in the system, called device 1, device 2, and device 3. It is easy to see how the FSM can be extended to handle more devices. The request signals are named  $r_1$ ,  $r_2$ , and  $r_3$ , and the grant signals are called  $g_1$ ,  $g_2$ , and  $g_3$ . The devices are assigned a priority level such that device 1 has the highest priority, device 2 has the next highest, and device 3 has the lowest priority. Thus if more than one request signal is asserted when the FSM assigns a grant, the grant is given to the requesting device that has the highest priority.

A state diagram for the desired FSM, designed as a Moore-type machine, is depicted in Figure 6.72. Initially, on reset the machine is in the state called *Idle*. No grant signals are asserted, and the shared resource is not in use. There are three other states, called *gnt1*, *gnt2*, and *gnt3*. Each of these states asserts the grant signal for one of the devices.

The FSM remains in the *Idle* state as long as all of the request signals are 0. In the state diagram the condition  $r_1 r_2 r_3 = 000$  is indicated by the arc labeled 000. When one or more request signals become 1, the machine moves to one of the grant states, according to the priority scheme. If  $r_1$  is asserted, then device 1 will receive the grant because it has the highest priority. This is indicated by the arc labeled 1xx that leads to state *gnt1*, which sets  $g_1 = 1$ . The meaning of 1xx is that the request signal  $r_1$  is 1, and the values of signals

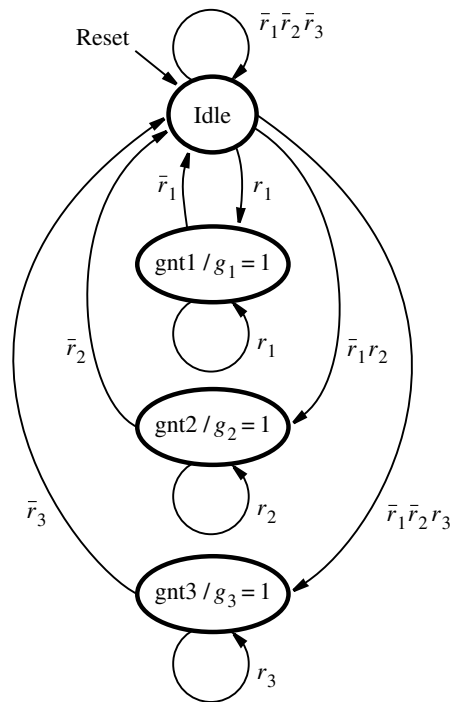


**Figure 6.72** State diagram for the arbiter.

$r_2$  and  $r_3$  are irrelevant because of the priority scheme. As before, we use the symbol  $x$  to indicate that the value of the corresponding variable can be either 0 or 1. The machine stays in state *gnt1* as long as  $r_1$  is 1. When  $r_1 = 0$ , the arc labeled  $0xx$  causes a change on the next positive clock edge back to state *Idle*, and  $g_1$  is deasserted. If other requests are active at this time, then the FSM will change to a new grant state after the next clock edge.

The arc that causes a change to state *gnt2* is labeled  $01x$ . This label adheres to the priority scheme because it represents the condition that  $r_2 = 1$ , but  $r_1 = 0$ . Similarly, the condition for entering state *gnt3* is given as  $001$ , which indicates that the only request signal asserted is  $r_3$ .

The state diagram is repeated in Figure 6.73. The only difference between this diagram and Figure 6.72 is the way in which the arcs are labeled. Figure 6.73 uses a simpler labeling scheme that is more intuitive. For the condition that leads from state *Idle* to state *gnt1*, the arc is labeled as  $r_1$ , instead of  $1xx$ . This label means that if  $r_1 = 1$ , the FSM changes to state *gnt1*, regardless of the other inputs. The arc with the label  $\bar{r}_1 r_2$  that leads from state *Idle* to *gnt2* represents the condition  $r_1 r_2 = 01$ , while the value of  $r_3$  is irrelevant. There is no standardized scheme for labeling the arcs in state diagrams. Some designers prefer the style of Figure 6.72, while others prefer a style more similar to Figure 6.73.



**Figure 6.73** Alternative style of state diagram for the arbiter.

Figure 6.74 gives the Verilog code for the machine. The three request and grant signals are specified as three-bit vectors  $r$  and  $g$ . The FSM transitions are described using a **case** statement in the style used for Figure 6.29. In the state *Idle*, the required priority scheme is described by using a nested **casex** statement. If  $r_1 = 1$ , then the next state for the machine is *gnt1*. If  $r_1$  is not asserted, then the alternative is evaluated, which stipulates that if  $r_2 = 1$ ,

```

module arbiter (r, Resetn, Clock, g);
  input [1:3] r;
  input Resetn, Clock;
  output wire [1:3] g;
  reg [2:1] y, Y;
  parameter Idle = 2'b00, gnt1 = 2'b01, gnt2 = 2'b10, gnt3 = 2'b11;

  // Next state combinational circuit
  always @(r, y)
    case (y)
      Idle: casex (r)
        3'b000: Y = Idle;
        3'b1xx: Y = gnt1;
        3'b01x: Y = gnt2;
        3'b001: Y = gnt3;
        default: Y = Idle;
      endcase
      gnt1: if (r[1]) Y = gnt1;
        else Y = Idle;
      gnt2: if (r[2]) Y = gnt2;
        else Y = Idle;
      gnt3: if (r[3]) Y = gnt3;
        else Y = Idle;
      default: Y = Idle;
    endcase

  // Sequential block
  always @(posedge Clock)
    if (Resetn == 0) y <= Idle;
    else y <= Y;

  // Define output
  assign g[1] = (y == gnt1);
  assign g[2] = (y == gnt2);
  assign g[3] = (y == gnt3);

endmodule

```

**Figure 6.74** Verilog code for the arbiter.

then the next state will be *gnt2*. Each successive alternative considers a lower-priority request signal only if all of the higher-priority request signals are not asserted.

The transitions for each grant state are straightforward. The FSM stays in state *gnt1* as long as  $r_1 = 1$ ; when  $r_1 = 0$ , the next state is *Idle*. The other grant states have the same structure.

The grant signals,  $g_1$ ,  $g_2$ , and  $g_3$  are defined at the end. The value of  $g_1$  is set to 1 when the machine is in state *gnt1*, and otherwise  $g_1$  is set to 0. Similarly, each of the other grant signals is 1 only in the appropriate grant state.

## 6.9 ANALYSIS OF SYNCHRONOUS SEQUENTIAL CIRCUITS

In addition to knowing how to design a synchronous sequential circuit, the designer has to be able to analyze the behavior of an existing circuit. The analysis task is much simpler than the synthesis task. In this section we will show how analysis may be performed.

To analyze a circuit, we simply reverse the steps of the synthesis process. The outputs of the flip-flops represent the present-state variables. Their inputs determine the next state that the circuit will enter. From this information we can construct the state-assigned table for the circuit. This table leads to a state table and the corresponding state diagram by giving a name to each state. The type of flip-flops used in the circuit is a factor, as we will see in the examples that follow.

**D-TYPE FLIP-FLOPS** Figure 6.75 gives an FSM that has two D flip-flops. Let  $y_1$  and  $y_2$  be the present-state variables and  $Y_1$  and  $Y_2$  the next-state variables. The next-state and output expressions are

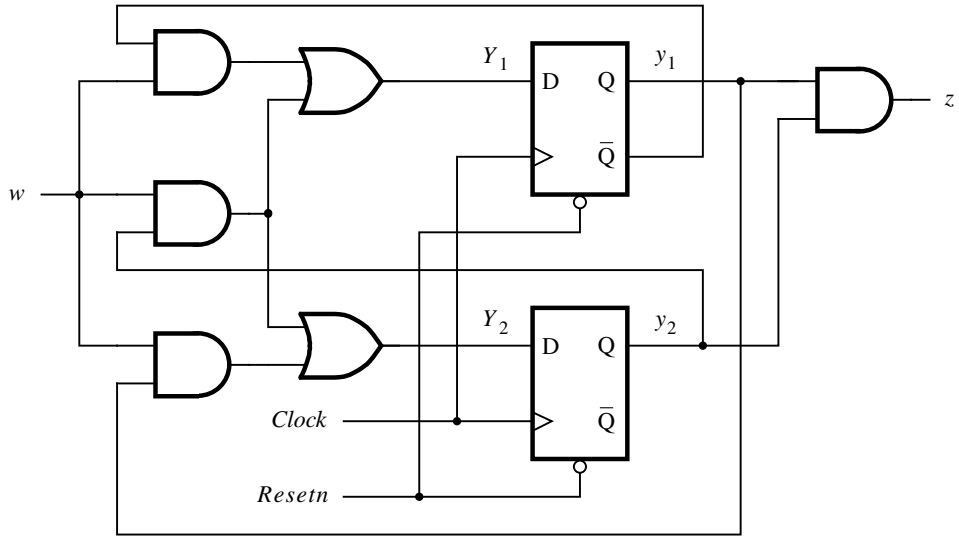
**Example 6.9**

$$Y_1 = w\bar{y}_1 + wy_2$$

$$Y_2 = wy_1 + wy_2$$

$$z = y_1y_2$$

Since there are two flip-flops, the FSM has at most four states. A good starting point in the analysis is to assume an initial state of the flip-flops such as  $y_1 = y_2 = 0$ . From the expressions for  $Y_1$  and  $Y_2$ , we can derive the state-assigned table in Figure 6.76a. For example, in the first row of the table  $y_1 = y_2 = 0$ . Then  $w = 0$  causes  $Y_1 = Y_2 = 0$ , and  $w = 1$  causes  $Y_1 = 1$  and  $Y_2 = 0$ . The output for this state is  $z = 0$ . The other rows are derived in the same manner. Labeling the states as *A*, *B*, *C*, and *D* yields the state table in Figure 6.76b. From this table it is apparent that following the reset condition the FSM produces the output  $z = 1$  whenever three consecutive 1s occur on the input  $w$ . Therefore, the FSM acts as a sequence detector for this pattern.



**Figure 6.75** Circuit for Example 6.9.

Present state $y_2y_1$	Next state		Output $z$
	$w = 0$	$w = 1$	
	$Y_2Y_1$	$Y_2Y_1$	
00	00	01	0
01	00	10	0
10	00	11	0
11	00	11	1

(a) State-assigned table

Present state	Next state		Output $z$
	$w = 0$	$w = 1$	
A	A	B	0
B	A	C	0
C	A	D	0
D	A	D	1

(b) State table

**Figure 6.76** Tables for the circuit in Figure 6.75.

**JK-TYPE FLIP-FLOPS** Now consider the circuit in Figure 6.77, which has two JK flip-flops. **Example 6.10** The expressions for the inputs to the flip-flops are

$$J_1 = w$$

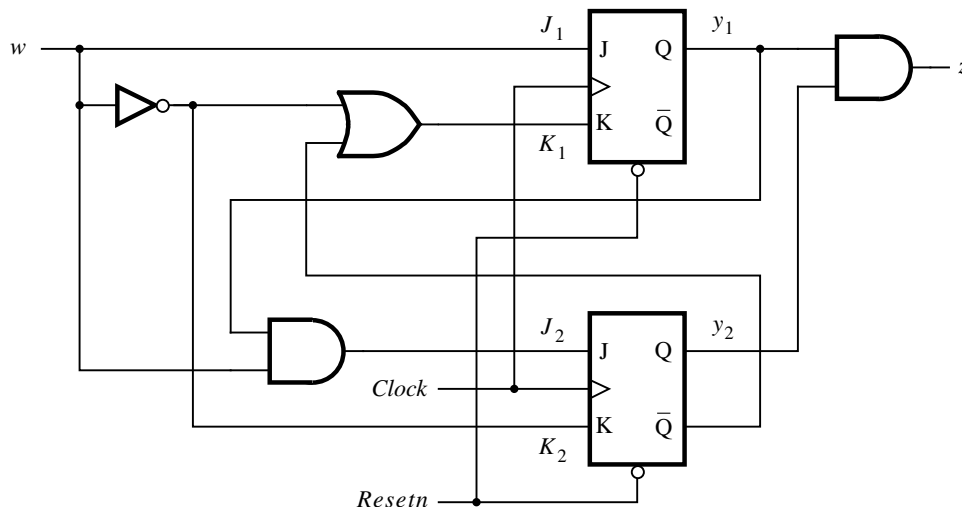
$$K_1 = \bar{w} + \bar{y}_2$$

$$J_2 = wy_1$$

$$K_2 = \bar{w}$$

The output is given by  $z = y_1y_2$ .

From these expressions we can derive the excitation table in Figure 6.78. Interpreting the entries in this table, we can construct the state-assigned table. For example, consider  $y_2y_1 = 00$  and  $w = 0$ . Then, since  $J_2 = J_1 = 0$  and  $K_2 = K_1 = 1$ , both flip-flops will remain in the 0 state; hence  $Y_2 = Y_1 = 0$ . If  $y_2y_1 = 00$  and  $w = 1$ , then  $J_2 = K_2 = 0$  and  $J_1 = K_1 = 1$ , which leaves the  $y_2$  flip-flop unchanged and sets the  $y_1$  flip-flop to 1; hence  $Y_2 = 0$  and  $Y_1 = 1$ . If  $y_2y_1 = 01$  and  $w = 0$ , then  $J_2 = J_1 = 0$  and  $K_2 = K_1 = 1$ , which resets the  $y_1$  flip-flop and results in the state  $y_2y_1 = 00$ ; hence  $Y_2 = Y_1 = 0$ . Similarly, if  $y_2y_1 = 01$  and  $w = 1$ , then  $J_2 = 1$  and  $K_2 = 0$  sets  $y_2$  to 1; hence  $Y_2 = 1$ , while  $J_1 = K_1 = 1$  toggles  $y_1$ ; hence  $Y_1 = 0$ . This leads to the state  $y_2y_1 = 10$ . Completing this process, we find that the resulting state-assigned table is the same as the one in Figure 6.76a. The conclusion is that the circuits in Figures 6.75 and 6.77 implement the same FSM.

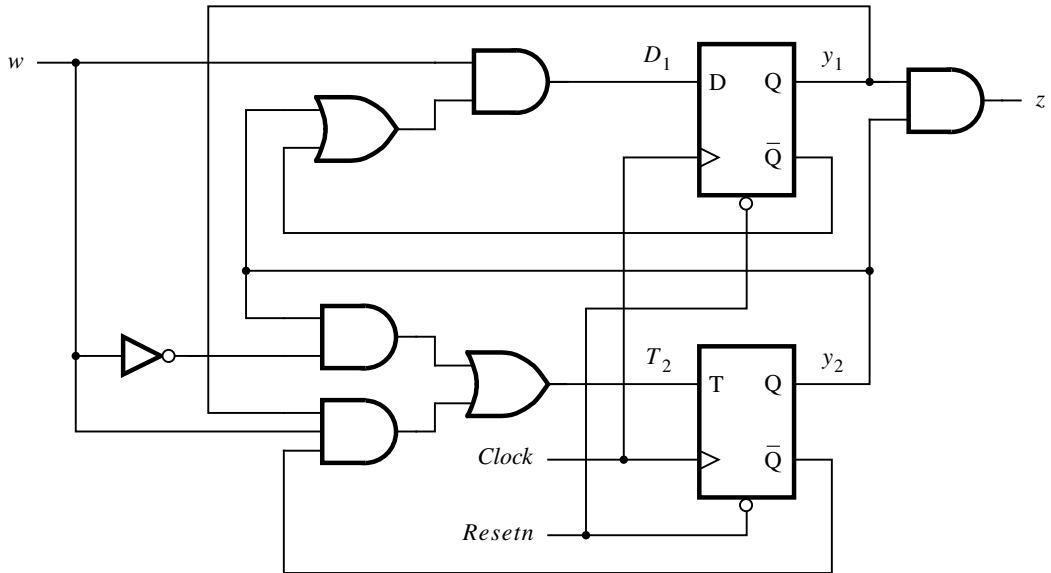


**Figure 6.77** Circuit for Example 6.10.



Present state $y_2y_1$	Flip-flop inputs				Output $z$
	$w = 0$		$w = 1$		
	$J_2K_2$	$J_1K_1$	$J_2K_2$	$J_1K_1$	
00	01	01	00	11	0
01	01	01	10	11	0
10	01	01	00	10	0
11	01	01	10	10	1

**Figure 6.78** The excitation table for the circuit in Figure 6.77.



**Figure 6.79** Circuit for Example 6.11.

**Example 6.11 MIXED FLIP-FLOPS** There is no reason why one cannot use a mixture of flip-flop types in one circuit. Figure 6.79 shows a circuit with one D and one T flip-flop. The expressions for this circuit are

$$D_1 = w(\bar{y}_1 + y_2)$$

$$T_2 = \bar{w}y_2 + wy_1\bar{y}_2$$

$$z = y_1y_2$$

Present state $y_2y_1$	Flip-flop inputs		Output $z$
	$w = 0$	$w = 1$	
	$T_2D_1$	$T_2D_1$	
0 0	0 0	0 1	0
0 1	0 0	1 0	0
1 0	1 0	0 1	0
1 1	1 0	0 1	1

**Figure 6.80** The excitation table for the circuit in Figure 6.79.

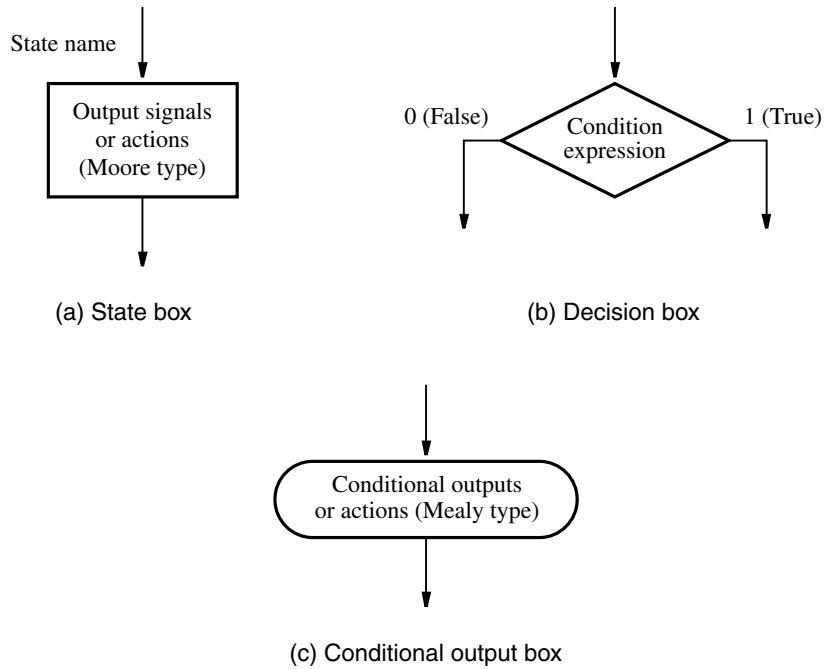
From these expressions we derive the excitation table in Figure 6.80. Since it is a T flip-flop,  $y_2$  changes its state only when  $T_2 = 1$ . Thus if  $y_2y_1 = 00$  and  $w = 0$ , then because  $T_2 = D_1 = 0$  the state of the circuit will not change. An example of where  $T_2 = 1$  is when  $y_2y_1 = 01$  and  $w = 1$ , which causes  $y_2$  to change to 1;  $D_1 = 0$  makes  $y_1 = 0$ , hence  $Y_2 = 1$  and  $Y_1 = 0$ . The other cases where  $T_2 = 1$  occur when  $w = 0$  and  $y_2y_1 = 10$  or  $11$ . In both of these cases  $D_1 = 0$ . Hence the T flip-flop changes its state from 1 to 0, while the D flip-flop is cleared, which means that the next state is  $Y_2Y_1 = 00$ . Completing this analysis we again obtain the state-assigned table in Figure 6.76a. Thus this circuit is yet another implementation of the FSM represented by the state table in Figure 6.76b.

## 6.10 ALGORITHMIC STATE MACHINE (ASM) CHARTS

The state diagrams and tables used in this chapter are convenient for describing the behavior of FSMs that have only a few inputs and outputs. For larger machines the designers often use a different form of representation, called the *algorithmic state machine (ASM) chart*.

An ASM chart is a type of flowchart that can be used to represent the state transitions and generated outputs for an FSM. The three types of elements used in ASM charts are depicted in Figure 6.81.

- **State box** – A rectangle represents a state of the FSM. It is equivalent to a node in the state diagram or a row in the state table. The name of the state is indicated outside the box in the top-left corner. The Moore-type outputs are listed inside the box. These are the outputs that depend only on the values of the state variables that define the state; we will refer to them simply as *Moore outputs*. It is customary to write only the name of the signal that has to be asserted. Thus it is sufficient to write  $z$ , rather than  $z = 1$ , to indicate that the output  $z$  must have the value 1. Also, it may be useful to indicate an action that must be taken; for example,  $Count \leftarrow Count + 1$  specifies that the contents

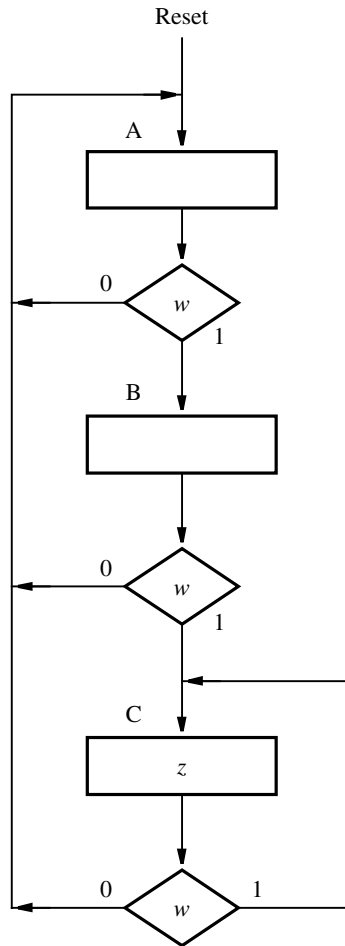


**Figure 6.81** Elements used in ASM charts.

of a counter have to be incremented by 1. Of course, this is just a simple way of saying that the control signal that causes the counter to be incremented must be asserted. We will use this way of specifying actions in larger systems that are discussed in Chapter 7.

- **Decision box** – A diamond indicates that the stated condition expression is to be tested and the exit path is to be chosen accordingly. The condition expression consists of one or more inputs to the FSM. For example,  $w$  indicates that the decision is based on the value of the input  $w$ , whereas  $w_1 \cdot w_2$  indicates that the true path is taken if  $w_1 = w_2 = 1$  and the false path is taken otherwise.
- **Conditional output box** – An oval denotes the output signals that are of Mealy type. These outputs depend on the values of the state variables and the inputs of the FSM; we will refer to these outputs simply as *Mealy outputs*. The condition that determines whether such outputs are generated is specified in a decision box.

Figure 6.82 gives the ASM chart that represents the FSM in Figure 6.3. The transitions between state boxes depend on the decisions made by testing the value of the input variable  $w$ . In each case if  $w = 0$ , the exit path from a decision box leads to state A. If  $w = 1$ , then a transition from A to B or from B to C takes place. If  $w = 1$  in state C, then the FSM stays in that state. The chart specifies a Moore output  $z$ , which is asserted only in state C,

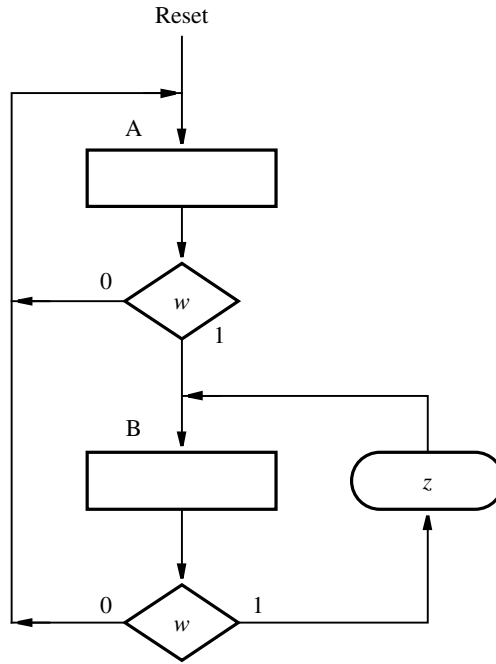


**Figure 6.82** ASM chart for the FSM in Figure 6.3.

as indicated in the state box. In states *A* and *B*, the value of *z* is 0 (not asserted), which is implied by leaving the corresponding state boxes blank.

Figure 6.83 provides an example with Mealy outputs. This chart represents the FSM in Figure 6.23. The output, *z*, is equal to 1 when the machine is in state *B* and  $w = 1$ . This is indicated using the conditional output box. In all other cases the value of *z* is 0, which is implied by not specifying *z* as an output of state *B* for  $w = 0$  and state *A* for  $w$  equal to 0 or 1.

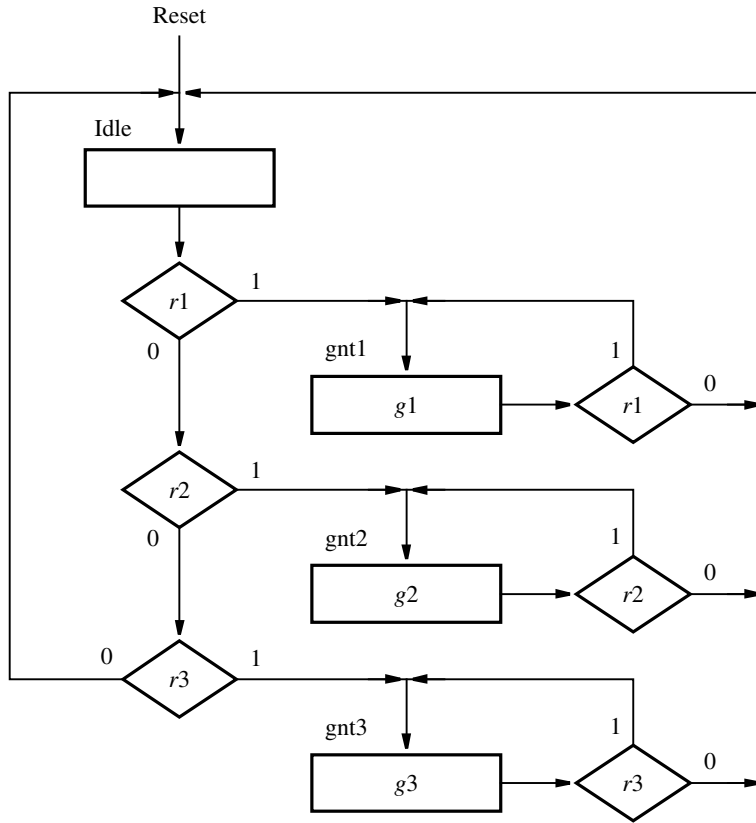
Figure 6.84 gives the ASM chart for the arbiter FSM in Figure 6.73. The decision box drawn below the state box for *Idle* specifies that if  $r_1 = 1$ , then the FSM changes to state *gnt1*. In this state the FSM asserts the output signal  $g_1$ . The decision box to the right of



**Figure 6.83** ASM chart for the FSM in Figure 6.23.

the state box for *gnt1* specifies that as long as  $r_1 = 1$ , the machine stays in state *gnt1*, and when  $r_1 = 0$ , it changes to state *Idle*. The decision box labeled  $r_2$  that is drawn below the state box for *Idle* specifies that if  $r_2 = 1$ , then the FSM changes to state *gnt2*. This decision box can be reached only after first checking the value of  $r_1$  and following the arrow that corresponds to  $r_1 = 0$ . Similarly, the decision box labeled  $r_3$  can be reached only if both  $r_1$  and  $r_2$  have the value 0. Hence the ASM chart describes the required priority scheme for the arbiter.

ASM charts are similar to traditional flowcharts. Unlike a traditional flowchart, the ASM chart includes timing information because it implicitly specifies that the FSM changes (flows) from one state to another only after each active clock edge. The examples of ASM charts presented here are quite simple. We have used them to introduce the ASM chart terminology by giving examples of state, decision, and conditional-output boxes. Another term sometimes applied to ASM charts is *ASM block*, which refers to a single state box and any decision and conditional-output boxes that the state box may be connected to. The ASM charts can be used to describe complex circuits that include one or more finite state machines and other circuitry such as registers, shift registers, counters, adders, and multipliers. We will use ASM charts as an aid for designing more complex circuits in Chapter 7.

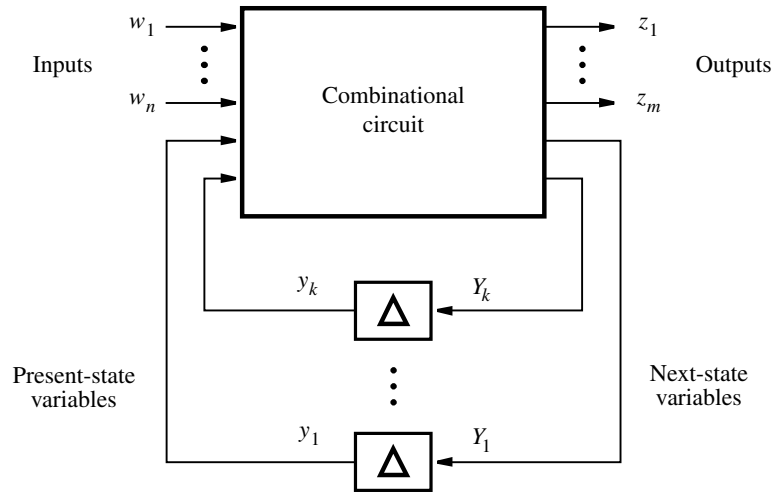


**Figure 6.84** ASM chart for the arbiter FSM in Figure 6.73.

## 6.11 FORMAL MODEL FOR SEQUENTIAL CIRCUITS

This chapter has presented the synchronous sequential circuits using a rather informal approach because this is the easiest way to grasp the concepts that are essential in designing such circuits. The same topics can also be presented in a more formal manner, which has been the style adopted in many books that emphasize the switching theory aspects rather than the design using CAD tools. A formal model often gives a concise specification that is difficult to match in a more descriptive presentation. In this section we will describe a formal model that represents a general class of sequential circuits, including those of the synchronous type.

Figure 6.85 represents a general sequential circuit. The circuit has  $W = \{w_1, w_2, \dots, w_n\}$  inputs,  $Z = \{z_1, z_2, \dots, z_m\}$  outputs,  $y = \{y_1, y_2, \dots, y_k\}$  present-state variables, and  $Y = \{Y_1, Y_2, \dots, Y_k\}$  next-state variables. It can have up to  $2^k$  states,  $S = \{S_1, S_2, \dots, S_{2^k}\}$ .



**Figure 6.85** The general model for a sequential circuit.

There are delay elements in the feedback paths for the state-variables which ensure that  $y$  will take the values of  $Y$  after a time delay  $\Delta$ . In the case of synchronous sequential circuits, the delay elements are flip-flops, which change their state on the active edge of a clock signal. Thus the delay  $\Delta$  is determined by the clock period. The clock period must be long enough to allow for the propagation delay in the combinational circuit, in addition to the setup and hold parameters of the flip-flops.

Using the model in Figure 6.85, a synchronous sequential circuit,  $M$ , can be defined formally as a quintuple

$$M = (W, Z, S, \varphi, \lambda)$$

where

- $W, Z,$  and  $S$  are finite, nonempty sets of inputs, outputs, and states, respectively.
- $\varphi$  is the state transition function, such that  $S(t + 1) = \varphi[W(t), S(t)]$ .
- $\lambda$  is the output function, such that  $\lambda(t) = \lambda[S(t)]$  for the Moore model and  $\lambda(t) = \lambda[W(t), S(t)]$  for the Mealy model.

This definition assumes that the time between  $t$  and  $t + 1$  is one clock cycle.

We will see in Chapter 9 that the delay  $\Delta$  need not be controlled by a clock. In asynchronous sequential circuits the delays are due solely to the propagation delays through various gates.

## 6.12 CONCLUDING REMARKS

The existence of closed loops and delays in a sequential circuit leads to a behavior that is characterized by the set of states that the circuit can reach. The present values of the inputs are not the sole determining factor in this behavior, because a given valuation of inputs may cause the circuit to behave differently in different states.

The propagation delays through a sequential circuit must be taken into account. The design techniques presented in this chapter are based on the assumption that all changes in the circuit are triggered by the active edge of a clock signal. Such circuits work correctly only if all internal signals are stable when the clock signal arrives. Thus the clock period must be longer than the longest propagation delay in the circuit.

Synchronous sequential circuits are used extensively in practical designs. They are supported by the commonly used CAD tools. All textbooks on the design of logic circuits devote considerable space to synchronous sequential circuits. Some of the more notable references are [1–14].

In Chapter 9 we will present a different class of sequential circuits, which do not use flip-flops to represent the states of the circuit and do not use clock pulses to trigger changes in the states.

## 6.13 EXAMPLES OF SOLVED PROBLEMS

This section presents some typical problems that the reader may encounter, and shows how such problems can be solved.

**Problem:** Design an FSM that has an input  $w$  and an output  $z$ . The machine is a sequence detector that produces  $z = 1$  when the previous two values of  $w$  were 00 or 11; otherwise  $z = 0$ .

**Example 6.12**

**Solution:** Section 6.1 presents the design of an FSM that detects the occurrence of consecutive 1s. Using the same approach, the desired FSM can be specified using the state diagram in Figure 6.86. State  $C$  denotes the occurrence of two or more 0s, and state  $E$  denotes two or more 1s. The corresponding state table is shown in Figure 6.87.

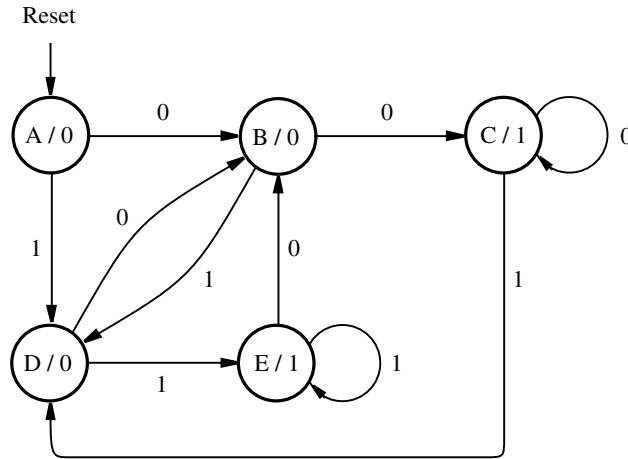
A straightforward state assignment leads to the state-assigned table in Figure 6.88. The codes  $y_3y_2y_1 = 101, 110, 111$  can be treated as don't-care conditions. Then the next-state expressions are

$$\begin{aligned} Y_1 &= w\bar{y}_1\bar{y}_3 + w\bar{y}_2\bar{y}_3 + \bar{w}y_1y_2 + \bar{w}\bar{y}_1\bar{y}_2 \\ Y_2 &= y_1\bar{y}_2 + \bar{y}_1y_2 + w\bar{y}_2\bar{y}_3 \\ Y_3 &= wy_3 + wy_1y_2 \end{aligned}$$

The output expression is

$$z = y_3 + \bar{y}_1y_2$$





**Figure 6.86** State diagram for Example 6.12.

Present state	Next state		Output $z$
	$w = 0$	$w = 1$	
A	B	D	0
B	C	D	0
C	C	D	1
D	B	E	0
E	B	E	1

**Figure 6.87** State table for the FSM in Figure 6.86.

These expressions seem to be unnecessarily complex, suggesting that we may attempt to find a better state assignment. Observe that state  $A$  is reached only when the machine is reset by means of the *Reset* input. So, it may be advantageous to assign the four codes in which  $y_3 = 1$  to the states  $B$ ,  $C$ ,  $D$ , and  $E$ . The result is the state-assigned table in Figure 6.89. From it, the next-state and output expressions are

$$Y_1 = wy_2 + \bar{w}y_3\bar{y}_2$$

$$Y_2 = w$$

$$Y_3 = 1$$

$$z = y_1$$

Since  $Y_3 = 1$ , we do not need the flip-flop  $y_3$ , and the expression for  $Y_1$  simplifies to  $\overline{w \oplus y_2}$ . This is a much better solution.

	Present state $y_3y_2y_1$	Next state		Output $z$
		$w = 0$	$w = 1$	
		$Y_3Y_2Y_1$	$Y_3Y_2Y_1$	
A	000	001	011	0
B	001	010	011	0
C	010	010	011	1
D	011	001	100	0
E	100	001	100	1

**Figure 6.88** State-assigned table for the FSM in Figure 6.87.

	Present state $y_3y_2y_1$	Next state		Output $z$
		$w = 0$	$w = 1$	
		$Y_3Y_2Y_1$	$Y_3Y_2Y_1$	
A	000	100	110	0
B	100	101	110	0
C	101	101	110	1
D	110	100	111	0
E	111	100	111	1

**Figure 6.89** An improved state assignment for the FSM in Figure 6.87.

**Problem:** Implement the sequence detector of Example 6.12 by using two FSMs. One **Example 6.13** FSM detects the occurrence of consecutive 1s, while the other detects consecutive 0s.

**Solution:** A good realization of the FSM that detects consecutive 1s is given in Figure 6.17. The next-state and output expressions are

$$\begin{aligned}
 Y_1 &= w \\
 Y_2 &= wy_1 \\
 z_{ones} &= y_2
 \end{aligned}$$

A similar FSM that detects consecutive 0s is defined in Figure 6.90. Its expressions are

$$\begin{aligned}
 Y_3 &= \bar{w} \\
 Y_4 &= \bar{w}y_3 \\
 z_{zeros} &= y_4
 \end{aligned}$$

Present state	Next state		Output $z_{zeros}$
	$w = 0$	$w = 1$	
D	E	D	0
E	F	D	0
F	F	D	1

(a) State table

	Present state	Next state		Output $z_{zeros}$
		$w = 0$	$w = 1$	
	$y_4y_3$	$Y_4Y_3$	$Y_4Y_3$	
D	00	01	00	0
E	01	11	00	0
F	11	11	00	1
	10	$dd$	$dd$	$d$

(b) State-assigned table

**Figure 6.90** FSM that detects a sequence of two zeros.

The output of the combined circuit is

$$z = z_{ones} + z_{zeros}$$

---

**Example 6.14 Problem:** Derive a Mealy-type FSM that can act as a sequence detector described in Example 6.12.

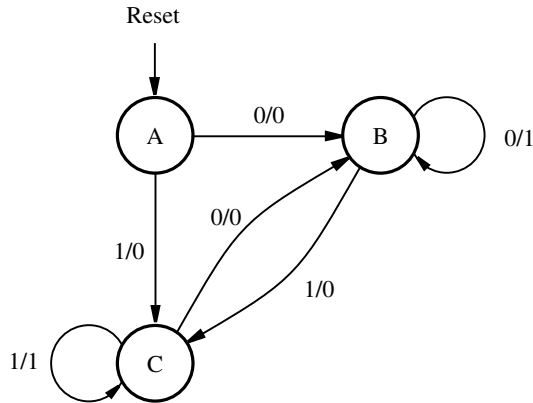
**Solution:** A state diagram for the desired FSM is depicted in Figure 6.91. The corresponding state table is presented in Figure 6.92. Two flip-flops are needed to implement this FSM. A state-assigned table is given in Figure 6.93, which leads to the next-state and output expressions

$$Y_1 = 1$$

$$Y_2 = w$$

$$z = \bar{w}y_1\bar{y}_2 + wy_2$$


---



**Figure 6.91** State diagram for Example 6.14.

Present state	Next state		Output $z$	
	$w = 0$	$w = 1$	$w = 0$	$w = 1$
A	B	C	0	0
B	B	C	1	0
C	B	C	0	1

**Figure 6.92** State table for the FSM in Figure 6.91.

	Present state	Next state		Output	
		$w = 0$	$w = 1$	$w = 0$	$w = 1$
	$y_2y_1$	$Y_2Y_1$	$Y_2Y_1$	$z$	$z$
A	00	01	11	0	0
B	01	01	11	1	0
C	11	01	11	0	1

**Figure 6.93** State-assigned table for the FSM in Figure 6.92.

**Example 6.15 Problem:** Implement the state-assigned table in Figure 6.89 using JK-type flip-flops.

**Solution:** Figure 6.94 shows the excitation table. It results in the following next-state and output expressions

$$J_1 = wy_2 + \bar{w}y_3\bar{y}_2$$

$$K_1 = \bar{w}y_2 + wy_1\bar{y}_2$$

$$J_2 = w$$

$$K_2 = \bar{w}$$

$$J_3 = 1$$

$$K_3 = 0$$

$$z = y_1$$

**Example 6.16 Problem:** Write Verilog code to implement the FSM in Figure 6.86.

**Solution:** Using the style of code given in Figure 6.29, the required FSM can be specified as shown in Figure 6.95.

**Example 6.17 Problem:** Write Verilog code to implement the FSM in Figure 6.91.

**Solution:** Using the style of code given in Figure 6.36, the Mealy-type FSM can be specified as shown in Figure 6.96.

**Example 6.18 Problem:** In computer systems it is often desirable to transmit data serially, namely, one bit at a time, to save on the cost of interconnecting cables. This means that parallel data at

	Present state $y_3y_2y_1$	Flip-flop inputs								Output $z$
		$w = 0$				$w = 1$				
		$Y_3Y_2Y_1$	$J_3K_3$	$J_2K_2$	$J_1K_1$	$Y_3Y_2Y_1$	$J_3K_3$	$J_2K_2$	$J_1K_1$	
A	000	100	1d	0d	0d	110	1d	1d	0d	0
B	100	101	d0	0d	1d	110	d0	1d	0d	0
C	101	101	d0	0d	d0	110	d0	1d	d1	1
D	110	100	d0	d1	0d	111	d0	d0	1d	0
E	111	100	d0	d1	d1	111	d0	d0	d0	1

**Figure 6.94** Excitation table for the FSM in Figure 6.89 with JK flip-flops.

```

module sequence (Clock, Resetn, w, z);
  input Clock, Resetn, w;
  output z;
  reg [3:1] y, Y;
  parameter [3:1] A = 3'b000, B = 3'b001, C = 3'b010, D = 3'b011, E = 3'b100;

  // Define the next state combinational circuit
  always @(w, y)
    case (y)
      A: if (w)   Y = D;
         else   Y = B;
      B: if (w)   Y = D;
         else   Y = C;
      C: if (w)   Y = D;
         else   Y = C;
      D: if (w)   Y = E;
         else   Y = B;
      E: if (w)   Y = E;
         else   Y = B;
      default:   Y = 3'bxxx;
    endcase

  // Define the sequential block
  always @(negedge Resetn, posedge Clock)
    if (Resetn == 0) y <= A;
    else y <= Y;

  // Define output
  assign z = (y == C) | (y == E);

endmodule

```

**Figure 6.95** Verilog code for the FSM in Figure 6.86.

one end must be transmitted serially, and at the other end the received serial data has to be turned back into parallel form. Suppose that we wish to transmit ASCII characters in this manner. As explained in Chapter 1, the standard ASCII code uses seven bits to define each character. Usually, a character occupies one byte, in which case the eighth bit can either be set to 0 or it can be used to indicate the parity of the other bits to ensure a more reliable transmission.

Parallel-to-serial conversion can be done by means of a shift register. Assume that a circuit accepts parallel data,  $B = b_7, b_6, \dots, b_0$ , representing ASCII characters. Assume also that bit  $b_7$  is set to 0. The circuit is supposed to generate a parity bit,  $p$ , and send it instead of  $b_7$  as a part of the serial transfer. Figure 6.97 gives a possible circuit. An FSM is

```

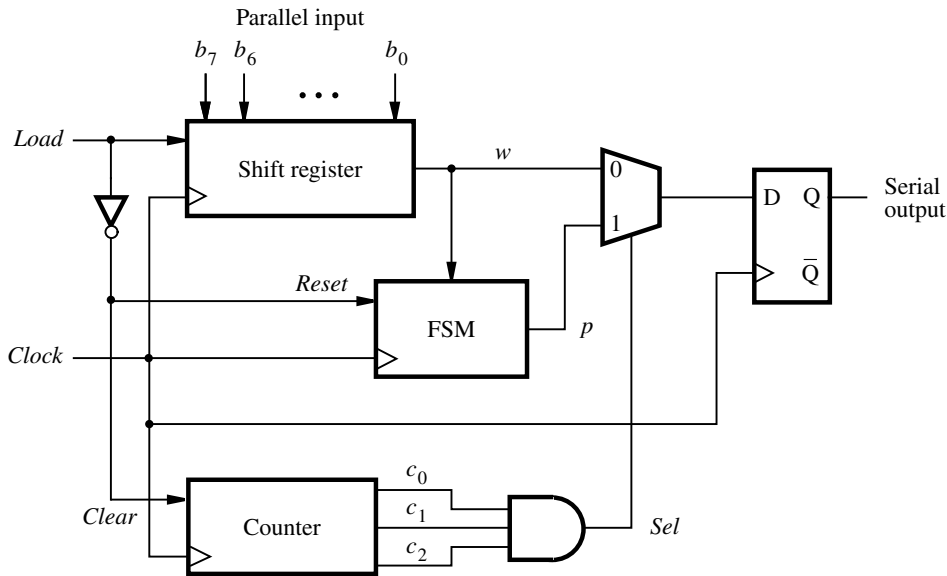
module seqmealy (Clock, Resetn, w, z);
  input Clock, Resetn, w;
  output reg z;
  reg [2:1] y, Y;
  parameter [2:1] A = 2'b00, B = 2'b01, C = 2'b11;

  // Define the next state and output combinational circuits
  always @(w, y)
    case (y)
      A: if (w)
        begin
          z = 0; Y = C;
        end
        else
        begin
          z = 0; Y = B;
        end
      B: if (w)
        begin
          z = 0; Y = C;
        end
        else
        begin
          z = 1; Y = B;
        end
      C: if (w)
        begin
          z = 1; Y = C;
        end
        else
        begin
          z = 0; Y = B;
        end
      default:
        begin
          z = 0; Y = 2'bxx;
        end
    endcase

  // Define the sequential block
  always @(negedge Resetn, posedge Clock)
    if (Resetn == 0) y <= A;
    else y <= Y;
endmodule

```

**Figure 6.96** Verilog code for the FSM in Figure 6.91.



**Figure 6.97** Parallel-to-serial converter.

used to generate the parity bit, which is included in the output stream by using a multiplexer. A three-bit counter is used to determine when the  $p$  bit is transmitted, which happens when the count reaches 7. Design the desired FSM.

**Solution:** As the bits are shifted out of the shift register, the FSM examines the bits and keeps track of whether there has been an even or odd number of 1s. It sets  $p$  to 1 if there is odd parity. Hence, the FSM must have two states. Figure 6.98 presents the state table, the state-assigned table, and the resulting circuit. The next state expression is

$$Y = \bar{w}y + w\bar{y}$$

The output  $p$  is just equal to  $y$ .

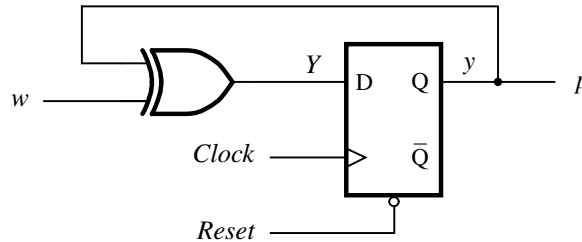


Present state	Next state		Output $p$
	$w = 0$	$w = 1$	
$S_{\text{even}}$	$S_{\text{even}}$	$S_{\text{odd}}$	0
$S_{\text{odd}}$	$S_{\text{odd}}$	$S_{\text{even}}$	1

(a) State table

Present state	Next state		Output $p$
	$w = 0$	$w = 1$	
$y$	$Y$	$Y$	$p$
0	0	1	0
1	1	0	1

(b) State-assigned table



(c) Circuit

**Figure 6.98** FSM for parity generation.

## PROBLEMS

Answers to problems marked by an asterisk are given at the back of the book.

- \*6.1 An FSM is defined by the state-assigned table in Figure P6.1. Derive a circuit that realizes this FSM using D flip-flops.
- \*6.2 Derive a circuit that realizes the FSM defined by the state-assigned table in Figure P6.1 using JK flip-flops.

Present state $y_2y_1$	Next state		Output $z$
	$w = 0$	$w = 1$	
	$Y_2Y_1$	$Y_2Y_1$	
00	10	11	0
01	01	00	0
10	11	00	0
11	10	01	1

**Figure P6.1** State-assigned table for Problems 6.1 and 6.2.

- 6.3** Derive the state diagram for an FSM that has an input  $w$  and an output  $z$ . The machine has to generate  $z = 1$  when the previous four values of  $w$  were 1001 or 1111; otherwise,  $z = 0$ . Overlapping input patterns are allowed. An example of the desired behavior is

$w$  : 010111100110011111

$z$  : 000000100100010011

- 6.4** Write Verilog code for the FSM described in Problem 6.3.
- \*6.5** Derive a minimal state table for a single-input and single-output Moore-type FSM that produces an output of 1 if in the input sequence it detects either 110 or 101 patterns. Overlapping sequences should be detected.
- \*6.6** Repeat Problem 6.5 for a Mealy-type FSM.
- 6.7** Derive the circuits that implement the state tables in Figures 6.51 and 6.52. What is the effect of state minimization on the cost of implementation?
- 6.8** Derive the circuits that implement the state tables in Figures 6.55 and 6.56. Compare the costs of these circuits.
- 6.9** A sequential circuit has two inputs,  $w_1$  and  $w_2$ , and an output,  $z$ . Its function is to compare the input sequences on the two inputs. If  $w_1 = w_2$  during any four consecutive clock cycles, the circuit produces  $z = 1$ ; otherwise,  $z = 0$ . For example

$w_1$  : 0110111000110

$w_2$  : 1110101000111

$z$  : 0000100001110

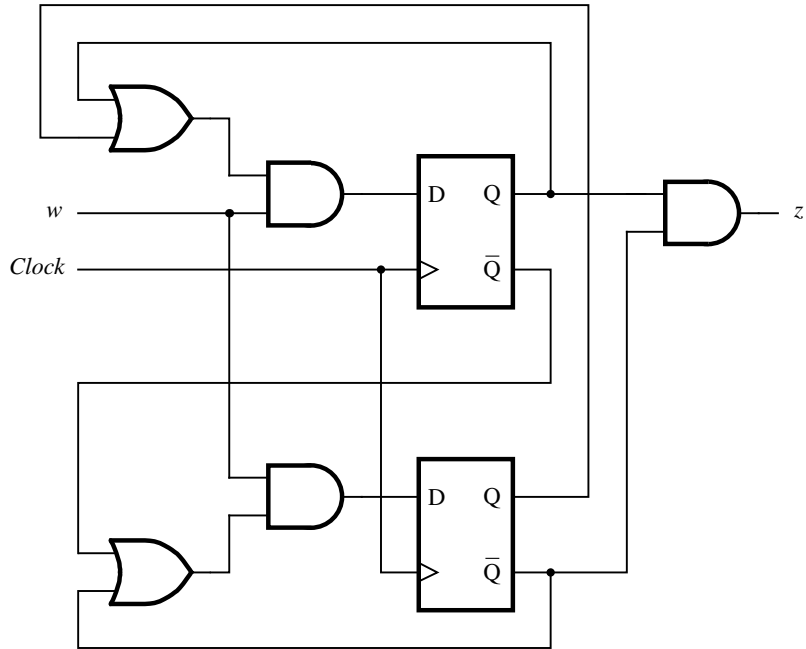
Derive a suitable circuit.

- 6.10** Write Verilog code for the FSM described in Problem 6.9.
- 6.11** A given FSM has an input,  $w$ , and an output,  $z$ . During four consecutive clock pulses, a sequence of four values of the  $w$  signal is applied. Derive a state table for the FSM

that produces  $z = 1$  when it detects that either the sequence  $w : 0010$  or  $w : 1110$  has been applied; otherwise,  $z = 0$ . After the fourth clock pulse, the machine has to be again in the reset state, ready for the next sequence. Minimize the number of states needed.

- \*6.12 Derive a minimal state table for an FSM that acts as a three-bit parity generator. For every three bits that are observed on the input  $w$  during three consecutive clock cycles, the FSM generates the parity bit  $p = 1$  if and only if the number of 1s in the three-bit sequence is odd.
- 6.13 Write Verilog code for the FSM described in Problem 6.12.
- 6.14 Draw timing diagrams for the circuits in Figures 6.43 and 6.47, assuming the same changes in  $a$  and  $b$  signals for both circuits. Account for propagation delays.
- \*6.15 Show a state table for the state-assigned table in Figure P6.1, using  $A, B, C, D$  for the four rows in the table. Give a new state-assigned table using a one-hot encoding. For  $A$  use the code  $y_4y_3y_2y_1 = 0001$ . For states  $B, C, D$  use the codes 0010, 0100, and 1000, respectively. Synthesize a circuit using D flip-flops.
- 6.16 Show how the circuit derived in Problem 6.15 can be modified such that the code  $y_4y_3y_2y_1 = 0000$  is used for the reset state,  $A$ , and the other codes for state  $B, C, D$  are changed as needed. (*Hint: You do not have to resynthesize the circuit!*)
- \*6.17 In Figure 6.59 assume that the unspecified outputs in states  $B$  and  $G$  are 0 and 1, respectively. Derive the minimized state table for this FSM.
- 6.18 In Figure 6.59 assume that the unspecified outputs in states  $B$  and  $G$  are 1 and 0, respectively. Derive the minimized state table for this FSM.
- 6.19 Derive circuits that implement the FSMs defined in Figures 6.57 and 6.58. Can you draw any conclusions about the complexity of circuits that implement Moore and Mealy types of machines?
- 6.20 Design a counter that counts pulses on line  $w$  and displays the count in the sequence 0, 2, 1, 3, 0, 2, . . . . Use D flip-flops in your circuit.
- \*6.21 Repeat Problem 6.20 using JK flip-flops.
- \*6.22 Repeat Problem 6.20 using T flip-flops.
- 6.23 Design a modulo-6 counter, which counts in the sequence 0, 1, 2, 3, 4, 5, 0, 1, . . . . The counter counts the clock pulses if its enable input,  $w$ , is equal to 1. Use D flip-flops in your circuit.
- 6.24 Repeat Problem 6.23 using JK flip-flops.
- 6.25 Repeat Problem 6.23 using T flip-flops.
- 6.26 Design a three-bit counterlike circuit controlled by the input  $w$ . If  $w = 1$ , then the counter adds 2 to its contents, wrapping around if the count reaches 8 or 9. Thus if the present state is 8 or 9, then the next state becomes 0 or 1, respectively. If  $w = 0$ , then the counter subtracts 1 from its contents, acting as a normal down-counter. Use D flip-flops in your circuit.

- 6.27** Repeat Problem 6.26 using JK flip-flops.
- 6.28** Repeat Problem 6.26 using T flip-flops.
- \*6.29** Derive the state table for the circuit in Figure P6.2. What sequence of input values on wire  $w$  is detected by this circuit?



**Figure P6.2** Circuit for Problem 6.29.

- 6.30** Write Verilog code for the FSM shown in Figure 6.57, using the style of code in Figure 6.29.
- 6.31** Repeat Problem 6.30, using the style of code in Figure 6.34.
- 6.32** Write Verilog code for the FSM shown in Figure 6.58, using the style of code in Figure 6.29.
- 6.33** Repeat Problem 6.32, using the style of code in Figure 6.34.
- 6.34** Write Verilog code for the FSM shown in Figure P6.1.
- 6.35** Represent the FSM in Figure 6.57 in form of an ASM chart.
- 6.36** Represent the FSM in Figure 6.58 in form of an ASM chart.
- 6.37** The arbiter FSM defined in Section 6.8 (Figure 6.72) may cause device 3 to never get serviced if devices 1 and 2 continuously keep raising requests, so that in the Idle state it always happens that either device 1 or device 2 has an outstanding request. Modify the proposed FSM to ensure that device 3 will get serviced, such that if it raises a request, the devices 1 and 2 will be serviced only once before the device 3 is granted its request.

- 6.38** Write Verilog code for the FSM designed in Problem 6.37.
- 6.39** Write Verilog code to specify the circuit in Figure 6.97.
- 6.40** Section 6.5 presents a design for the serial adder. Derive a similar circuit that functions as a serial subtractor which produces the difference of operands  $A$  and  $B$ . (*Hint*: Use the rule for finding 2's complements in Section 3.3.1 to generate the 2's complement of  $B$ .)
- 6.41** Write Verilog code that defines the serial subtractor designed in Problem 6.40.
- 6.42** In Section 6.2 we stated that trying all possible state assignments in order to find the best one is impractical. Determine the number of possible state assignments for an FSM that has  $n$  states and for which  $k = \log_2 n$  state variables are used.

---

## REFERENCES

1. J. F. Wakerly, *Digital Design Principles and Practices*, 4th ed. (Prentice-Hall: Englewood Cliffs, N.J., 2005).
2. R. H. Katz and G. Borriello, *Contemporary Logic Design*, 2nd ed., (Pearson Prentice-Hall: Upper Saddle River, N.J., 2005).
3. C. H. Roth Jr., *Fundamentals of Logic Design*, 5th ed., (Thomson/Brooks/Cole: Belmont, Ca., 2004).
4. M. M. Mano, *Digital Design*, 3rd ed. (Prentice-Hall: Upper Saddle River, NJ, 2002).
5. A. Dewey, *Analysis and Design of Digital Systems with VHDL*, (PWS Publishing Co.: 1997).
6. D. D. Gajski, *Principles of Digital Design*, (Prentice-Hall: Upper Saddle River, NJ, 1997).
7. J. P. Daniels, *Digital Design from Zero to One*, (Wiley: New York, 1996).
8. V. P. Nelson, H. T. Nagle, B. D. Carroll, and J. D. Irwin, *Digital Logic Circuit Analysis and Design*, (Prentice-Hall: Englewood Cliffs, NJ, 1995).
9. F. J. Hill and G. R. Peterson, *Computer Aided Logical Design with Emphasis on VLSI*, 4th ed., (Wiley: New York, 1993).
10. J. P. Hayes, *Introduction to Logic Design*, (Addison-Wesley: Reading, MA, 1993).
11. E. J. McCluskey, *Logic Design Principles*, (Prentice-Hall: Englewood Cliffs, NJ, 1986).
12. T. L. Booth, *Digital Networks and Computer Systems*, (Wiley: New York, 1971).
13. Z. Kohavi, *Switching and Finite Automata Theory*, (McGraw-Hill: New York, 1970).
14. J. Hartmanis and R. E. Stearns, *Algebraic Structure Theory of Sequential Machines*, (Prentice-Hall: Englewood Cliffs, NJ, 1966).

---

chapter

# 7

## DIGITAL SYSTEM DESIGN

### CHAPTER OBJECTIVES

In this chapter you will learn about aspects of digital system design, including

- Bus structure
- A simple processor
- Usage of ASM charts
- Clock synchronization and timing issues
- Flip-flop timing at the chip level

In the previous chapters we showed how to design many types of simple circuits, such as multiplexers, decoders, flip-flops, registers, and counters, which can be used as building blocks. In this chapter we provide examples of more complex circuits that can be constructed using the building blocks as subcircuits. Such larger circuits form a *digital system*. For practical reasons our examples of digital systems will not be large, but the design techniques presented are applicable to systems of any size.

A digital system consists of two main parts, called the datapath circuit and the control circuit. The *datapath circuit* is used to store and manipulate data and to transfer data from one part of the system to another. Datapath circuits comprise building blocks such as registers, shift registers, counters, multiplexers, decoders, adders, and so on. The *control circuit* controls the operation of the datapath circuit. In Chapter 6 we referred to the control circuits as finite state machines. We will give several examples of digital systems and show how to design their datapath and control circuits.

---

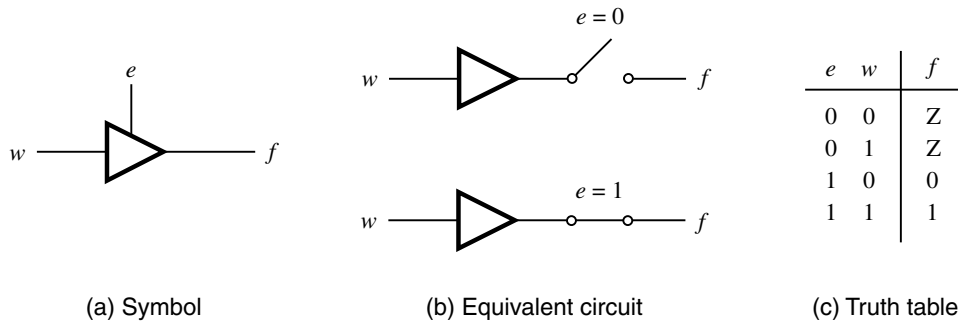
## 7.1 BUS STRUCTURE

Digital systems often contain a set of registers used to store data. As already discussed in Chapter 6, such registers can be interconnected via an interconnection network as illustrated in Figure 6.10. There are many ways of implementing an interconnection network. In this section we will present one of the commonly used schemes.

Suppose that a digital system has a number of  $n$ -bit registers, and that it must be possible to transfer data from any register to any other register. A simple way of providing the desired interconnectivity may be to connect each register to a common set of  $n$  wires, which are used to transfer data into and out of the registers. This common set of wires is usually called a *bus*. If common paths are used to transfer data from multiple sources to multiple destinations, it is necessary to ensure that only one register acts as a source at any given time and other registers do not interfere. We will present two plausible arrangements for implementing the bus structure.

### 7.1.1 USING TRI-STATE DRIVERS TO IMPLEMENT A BUS

Outputs of two ordinary logic gates cannot be connected together, because a short circuit would result if one gate forces the output value 1 while the other gate forces the value 0. Therefore, some special gates are needed if the outputs of two registers are to be connected to a common set of wires. A commonly used circuit element for this purpose is shown in Figure 7.1a. It has a data input  $w$ , an output  $f$ , and an enable input  $e$ . Its operation is illustrated by the equivalent circuit in part (b). The triangular symbol in the figure represents a noninverting driver, which is a circuit that performs no logic operation and its output simply replicates the input signal. Its purpose is to provide additional electrical driving capability. In conjunction with the output switch, it behaves as indicated in Figure 7.1c. When  $e = 1$ , the output reflects the logic value on the data input. But, when  $e = 0$ , the output is electrically disconnected from the data input, which is referred to as a *high impedance* state and it is usually denoted by the letter Z (or z). Because this circuit element exhibits three distinct states, 0, 1, and Z, it is called a *tri-state* driver (or buffer). Appendix B explains how it can be implemented with transistors.



**Figure 7.1** Tri-state driver.

Consider a system that contains  $k$   $n$ -bit registers,  $R1$  to  $Rk$ . Figure 7.2 shows how these registers can be connected using tri-state drivers to implement the bus structure. The data outputs of each register are connected to tri-state drivers. When selected by their enable signals, the drivers place the contents of the corresponding register onto the bus wires. We showed in Figure 5.56 how an enable input can be added to a register. If the enable input is set to 1, then the contents of the register will be changed on the next active edge of the clock. In Figure 7.2 the enable input on each register is labeled  $L$ , which stands for *load*. The signal that controls the load input for a register  $Rj$  is denoted as  $Rj_{in}$ , while the signal that controls the associated tri-state driver is called  $Rj_{out}$ . These signals are generated by a control circuit.

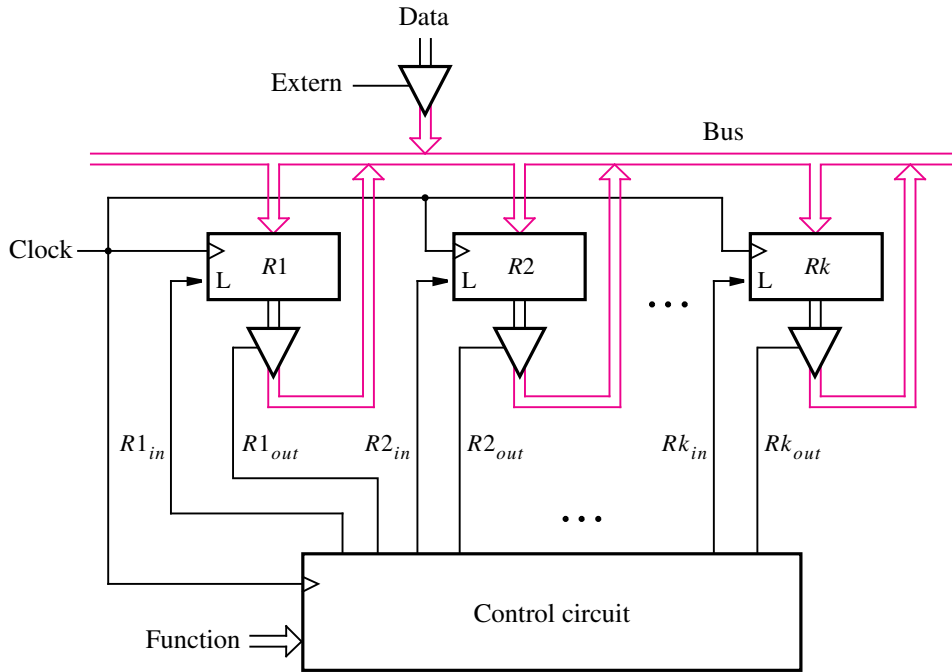
In addition to registers, in a real system other types of circuit blocks would be connected to the bus. The figure shows how  $n$  bits of data from an external source can be placed on the bus, using the control input *Extern*.

It is essential to ensure that only one circuit block attempts to place data onto the bus wires at any given time. The control circuit must ensure that only one of the tri-state driver enable signals,  $R1_{out}, \dots, Rk_{out}$ , is asserted at a given time. The control circuit also produces the signals  $R1_{in}, \dots, Rk_{in}$ , which determine when data is loaded into each register. In general, the control circuit could perform a number of functions, such as transferring the data stored in one register into another register and controlling the processing of data in various functional units of the system. Figure 7.2 shows an input signal named *Function* that instructs the control circuit to perform a particular task. The control circuit is synchronized by a clock input, which is the same clock signal that controls the  $k$  registers.

Figure 7.3 provides a more detailed view of how the registers from Figure 7.2 can be connected to a bus. To keep the picture simple, 2 two-bit registers are shown, but the same scheme can be used for larger registers. For register  $R1$ , two tri-state drivers enabled by  $R1_{out}$  are used to connect each flip-flop output to a wire in the bus. The  $D$  input on each flip-flop is connected to a 2-to-1 multiplexer, whose select input is controlled by  $R1_{in}$ . If  $R1_{in} = 0$ , the flip-flops are loaded from their Q outputs; hence the stored data does not change. But if  $R1_{in} = 1$ , data is loaded into the flip-flops from the bus.

The system in Figure 7.2 can be used in many different ways, depending on the design of the control circuit and on how many registers and other circuit blocks are connected to





**Figure 7.2** A digital system with  $k$  registers.

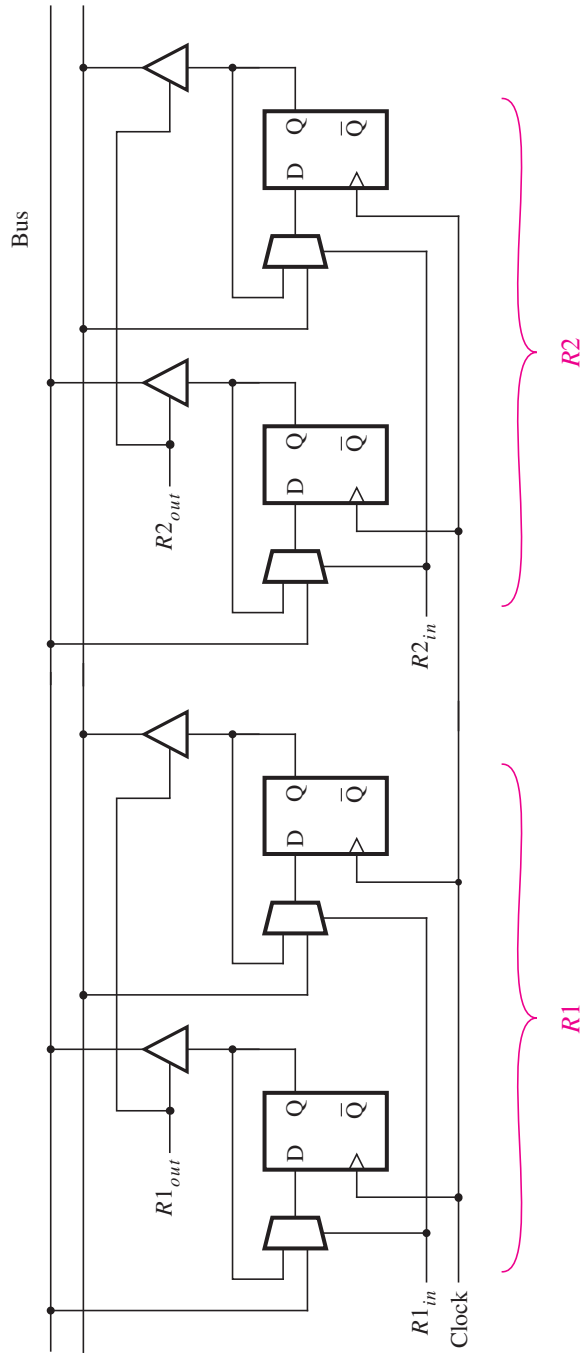
the bus. As a simple example, consider a system that has three registers,  $R_1$ ,  $R_2$ , and  $R_3$ . We will specify a control circuit that performs a single function—it swaps the contents of registers  $R_1$  and  $R_2$ , using  $R_3$  for temporary storage.

The required swapping is done in three steps, each needing one clock cycle. In the first step the contents of  $R_2$  are transferred into  $R_3$ . Then the contents of  $R_1$  are transferred into  $R_2$ . Finally, the contents of  $R_3$ , which are the original contents of  $R_2$ , are transferred into  $R_1$ . We have already designed the control circuit for this task in Example 6.1, in the form of a finite state machine.

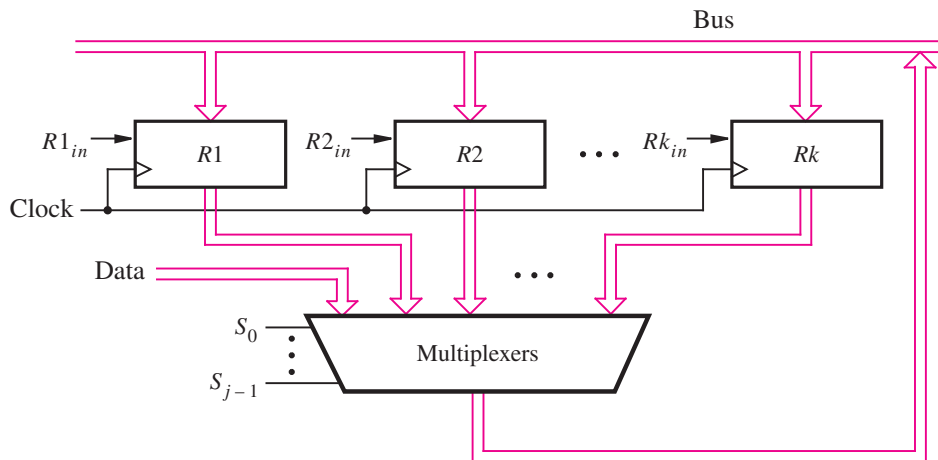
Note that we say that the contents of one register,  $R_i$ , are “transferred” into another register,  $R_j$ . This jargon is commonly used to indicate that the new contents of  $R_j$  will be a copy of the contents of  $R_i$ . The contents of  $R_i$  are not changed as a result of the transfer. Therefore, it would be more precise to say that the contents of  $R_i$  are “copied” into  $R_j$ .

### 7.1.2 USING MULTIPLEXERS TO IMPLEMENT A BUS

In Figure 7.2 we used tri-state drivers to control access to the bus. An alternative approach is to use multiplexers, as depicted in Figure 7.4. The outputs of each register are connected to a multiplexer. This multiplexer’s output is connected to the inputs of the registers, thus realizing the bus. The multiplexer select inputs determine which register’s contents appear



**Figure 7.3** Details for connecting registers to a bus.



**Figure 7.4** Using multiplexers to implement a bus.

on the bus. Although the figure shows just one multiplexer symbol, we actually need one multiplexer for each bit in the registers. For example, assume that there are 4 eight-bit registers,  $R1$  to  $R4$ , plus the externally-supplied eight-bit  $Data$ . To interconnect them, we need eight 5-to-1 multiplexers.

The control circuit can be designed as a finite state machine as mentioned in the previous subsection. However, instead of using the control signals  $Rj_{out}$  to place the contents of register  $Rj$  onto the bus, we have to generate the select inputs for the multiplexers.

The tri-state driver and multiplexer approaches for implementing a bus are both equally valid. However, some types of chips, such as FPGAs, do not contain a sufficient number of tri-state drivers to realize even moderately large buses. In such chips the multiplexer-based approach is the only practical alternative. In practice, circuits are designed with CAD tools. If the designer describes the circuit using tri-state drivers, but there are not enough such drivers in the target device, then the CAD tools automatically produce an equivalent circuit that uses multiplexers.

### 7.1.3 VERILOG CODE FOR SPECIFICATION OF BUS STRUCTURES

This section presents Verilog code for our circuit example that swaps the contents of two registers. We first give the code for the style of circuit in Figure 7.2 that uses tri-state drivers to implement the bus and then give the code for the style of circuit in Figure 7.4 that uses multiplexers. Figure 7.5 gives the code for an  $n$ -bit register of the type in Figure 7.3. The number of bits in the register is set by the parameter  $n$ , which has the default value of 8. The register is specified such that if the input  $L = 1$ , then the flip-flops are loaded from the  $n$ -bit input  $R$ . Otherwise, the flip-flops retain their presently stored values.

Figure 7.6 gives the code for a subcircuit that represents  $n$  tri-state drivers, each enabled by the input  $E$ . The inputs to the drivers are the  $n$ -bit signal  $Y$ , and the outputs are the  $n$ -bit

```

module regn (R, L, Clock, Q);
  parameter n = 8;
  input [n-1:0] R;
  input L, Clock;
  output reg [n-1:0] Q;

  always @(posedge Clock)
    if (L)
      Q <= R;

endmodule

```

**Figure 7.5** Code for an  $n$ -bit register of the type in Figure 7.3.

```

module trin (Y, E, F);
  parameter n = 8;
  input [n-1:0] Y;
  input E;
  output wire [n-1:0] F;

  assign F = E ? Y : 'bz;

endmodule

```

**Figure 7.6** Code for an  $n$ -bit tri-state module.

signal  $F$ . The conditional assignment statement specifies that the output of each driver is set to  $F = Y$  if  $E = 1$ ; otherwise, the output is set to the high impedance value  $z$ . The conditional assignment statement uses an unsized number to define the high impedance case. The Verilog compiler will make the size of this number the same as the size of vector  $Y$ , namely  $n$ . We cannot define the number as  $n$ 'bz because the size of a sized number cannot be given as a parameter.

The code in Figure 7.7 represents a digital system like the one in Figure 7.2, with 3 eight-bit registers,  $R1$ ,  $R2$ , and  $R3$ . The circuit in Figure 7.2 includes tri-state drivers that are used to place  $n$  bits of externally supplied  $Data$  on the bus. In Figure 7.7, these drivers are instantiated in the module  $tri\_ext$ . Each of the eight drivers is enabled by the input signal  $Extern$ , and the data inputs on the drivers are attached to the eight-bit signal  $Data$ . When  $Extern = 1$ , the value of  $Data$  is placed on the bus, which is represented by the signal  $BusWires$ . The  $BusWires$  vector represents the circuit's output as well as the internal bus wiring. We declared this vector to be of **tri** type rather than of **wire** type. The keyword **tri** is treated in the same way as the keyword **wire** by the Verilog compiler. The designation **tri** makes it obvious to a reader that the synthesized connections will have tri-state capability.

```

module swap (Resetn, Clock, w, Data, Extern, RinExt1, RinExt2, RinExt3, BusWires, Done);
  parameter n = 8;
  input Resetn, Clock, w, Extern, RinExt1, RinExt2, RinExt3;
  input [n-1:0] Data;
  output tri [n-1:0] BusWires;
  output Done;
  wire [n-1:0] R1, R2, R3;
  wire R1in, R1out, R2in, R2out, R3in, R3out;
  reg [2:1] y, Y;
  parameter [2:1] A = 2'b00, B = 2'b01, C = 2'b10, D = 2'b11;

  // Define the next state combinational circuit for FSM
  always @(w, y)
    case (y)
      A: if (w)   Y = B;
         else    Y = A;
      B:         Y = C;
      C:         Y = D;
      D:         Y = A;
    endcase

  // Define the sequential block for FSM
  always @(negedge Resetn, posedge Clock)
    if (Resetn == 0) y <= A;
    else y <= Y;

  // Define outputs of FSM
  assign R2out = (y == B);
  assign R3in = (y == B);
  assign R1out = (y == C);
  assign R2in = (y == C);
  assign R3out = (y == D);
  assign R1in = (y == D);
  assign Done = (y == D);

  // Instantiate registers
  regn reg_1 (BusWires, RinExt1 | R1in, Clock, R1);
  regn reg_2 (BusWires, RinExt2 | R2in, Clock, R2);
  regn reg_3 (BusWires, RinExt3 | R3in, Clock, R3);
  // Instantiate tri-state drivers
  trin tri_ext (Data, Extern, BusWires);
  trin tri_1 (R1, R1out, BusWires);
  trin tri_2 (R2, R2out, BusWires);
  trin tri_3 (R3, R3out, BusWires);
endmodule

```

**Figure 7.7** A digital system like the one in Figure 7.2.

We assume that three control signals named *RinExt1*, *RinExt2*, and *RinExt3* exist, which allow the externally supplied data to be loaded from the bus into register *R1*, *R2*, or *R3*. These signals are not shown in Figure 7.2, to keep the figure simple, but they would be generated by the same external circuit block that produces *Extern* and *Data*. When *RinExt1* = 1, the data on the bus is loaded into register *R1*; when *RinExt2* = 1, the data is loaded into *R2*; and when *RinExt3* = 1, the data is loaded into *R3*.

The FSM that implements the control circuit for our swapping task example is included in Figure 7.7. Since our control circuit performs only one operation, we have not included the *Function* input from Figure 7.2. We have assumed that an input signal named *w* exists, which is set to 1 for one clock cycle to start the swapping task. We have also assumed that at the end of the swapping task, which is indicated by the *Done* signal being asserted, the control circuit returns to the starting state.

### Verilog Code Using Multiplexers

Figure 7.8 shows how the code in Figure 7.7 can be modified to use multiplexers instead of tri-state drivers. Using the circuit structure shown in Figure 7.4, the bus is implemented with eight 4-to-1 multiplexers. Three of the data inputs on each 4-to-1 multiplexer are connected to one bit from registers *R1*, *R2*, and *R3*. The fourth data input is connected to one bit of the *Data* input signal to allow externally supplied data to be written into the registers.

The same FSM control circuit is used. However, the control signals *R1out*, *R2out*, and *R3out* are not needed because tri-state drivers are not used. Instead, the required multiplexers are defined in an **if-else** statement by specifying the source of data based on the state of the FSM. Hence, when the FSM is in state *A*, the selected input to the multiplexers is *Data*. When the state is *B*, the register *R2* provides the input data to the multiplexers, and so on.

---

## 7.2 SIMPLE PROCESSOR

A second example of a digital system like the one in Figure 7.2 is shown in Figure 7.9. It has four *n*-bit registers, *R0*, . . . , *R3*, that are connected to the bus with tri-state drivers. External data can be loaded into the registers from the *n*-bit *Data* input, which is connected to the bus using tri-state drivers enabled by the *Extern* control signal. The system also includes an adder/subtractor module. One of its data inputs is provided by an *n*-bit register, *A*, that is attached to the bus, while the other data input, *B*, is directly connected to the bus. If the *AddSub* signal has the value 0, the module generates the sum  $A + B$ ; if  $AddSub = 1$ , the module generates the difference  $A - B$ . To perform the subtraction, we assume that the adder/subtractor includes the required XOR gates to form the 2's complement of *B*, as discussed in Section 3.3. The register *G* stores the output produced by the adder/subtractor. The *A* and *G* registers are controlled by the signals  $A_{in}$ ,  $G_{in}$ , and  $G_{out}$ .

The system in Figure 7.9 can perform various functions, depending on the design of the control circuit. As an example, we will design a control circuit that can perform the four operations listed in Table 7.1. The left column in the table shows the name of an operation and its operands; the right column indicates the function performed in the operation. For

```

module swapmux (Resetn, Clock, w, Data, RinExt1, RinExt2, RinExt3, BusWires, Done);
  parameter n = 8;
  input Resetn, Clock, w, RinExt1, RinExt2, RinExt3;
  input [n-1:0] Data;
  output reg [n-1:0] BusWires;
  output Done;
  wire [n-1:0] R1, R2, R3;
  wire R1in, R2in, R3in;
  reg [2:1] y, Y;
  parameter [2:1] A = 2'b00, B = 2'b01, C = 2'b10, D = 2'b11;

  // Define the next state combinational circuit for FSM
  always @(w, y)
    case (y)
      A: if (w) Y = B;
        else Y = A;
      B: Y = C;
      C: Y = D;
      D: Y = A;
    endcase

  // Define the sequential block for FSM
  always @(negedge Resetn, posedge Clock)
    if (Resetn == 0) y <= A;
    else y <= Y;

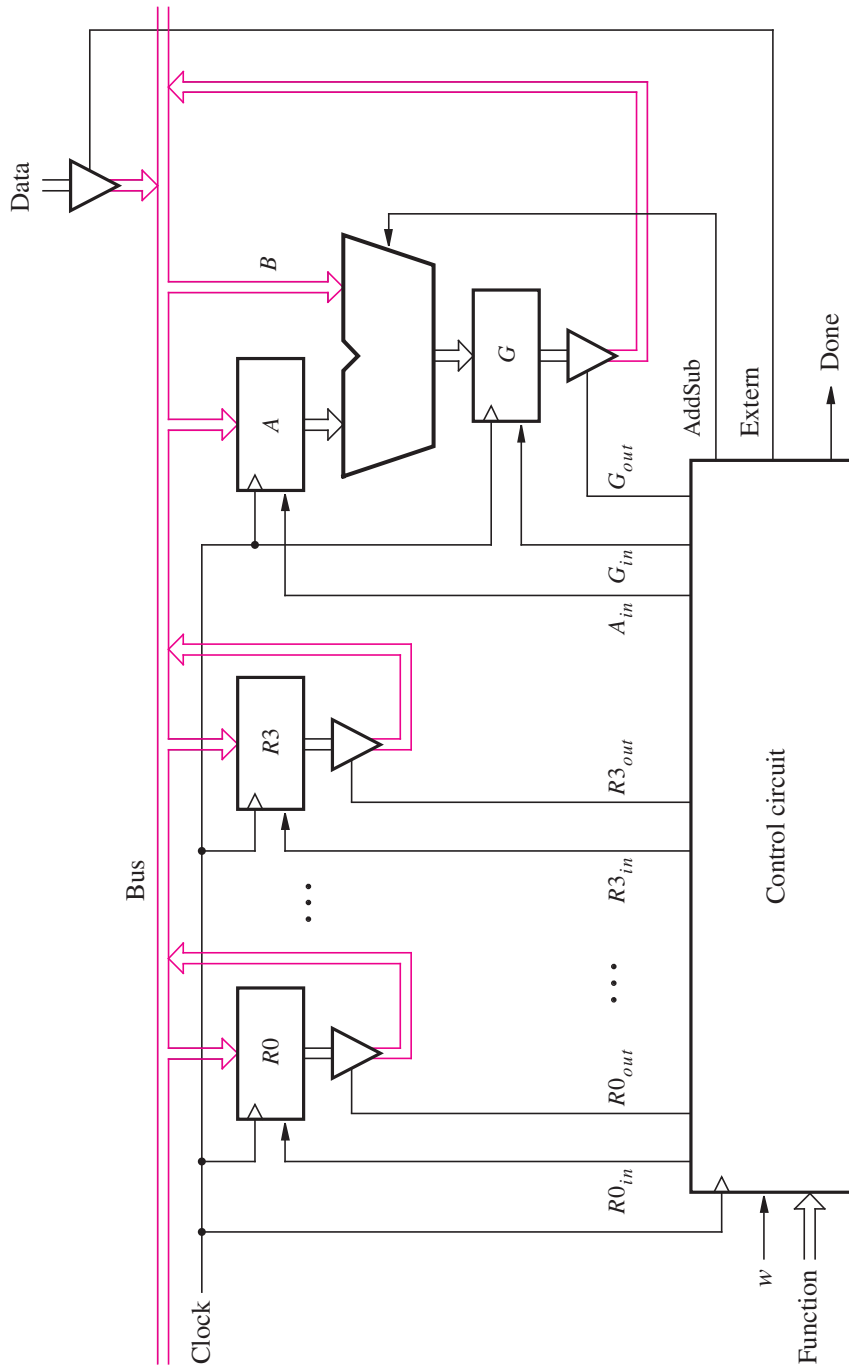
  // Define control signals
  assign R3in = (y == B);
  assign R2in = (y == C);
  assign R1in = (y == D);
  assign Done = (y == D);

  // Instantiate registers
  regn reg_1 (BusWires, RinExt1 | R1in, Clock, R1);
  regn reg_2 (BusWires, RinExt2 | R2in, Clock, R2);
  regn reg_3 (BusWires, RinExt3 | R3in, Clock, R3);

  // Define the multiplexers
  always @(y, Data, R1, R2, R3)
    if (y == A) BusWires = Data;
    else if (y == B) BusWires = R2;
    else if (y == C) BusWires = R1;
    else BusWires = R3;
endmodule

```

**Figure 7.8** Using multiplexers to implement the bus structure.



**Figure 7.9** A digital system that implements a simple processor.



**Table 7.1** Operations performed in the processor.

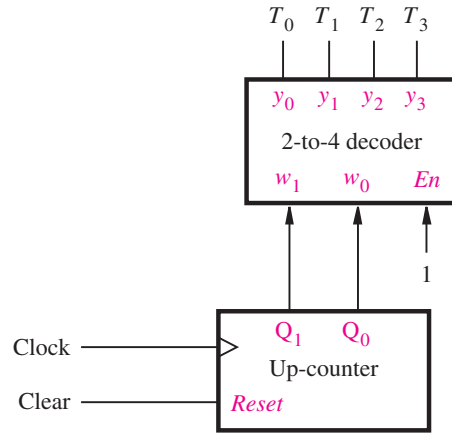
Operation	Function performed
Load $R_x$ , $Data$	$R_x \leftarrow Data$
Move $R_x$ , $R_y$	$R_x \leftarrow [R_y]$
Add $R_x$ , $R_y$	$R_x \leftarrow [R_x] + [R_y]$
Sub $R_x$ , $R_y$	$R_x \leftarrow [R_x] - [R_y]$

the *Load* operation the meaning of  $R_x \leftarrow Data$  is that the data on the external *Data* input is transferred across the bus into any register,  $R_x$ , where  $R_x$  can be  $R_0$  to  $R_3$ . The *Move* operation copies the data stored in register  $R_y$  into register  $R_x$ . In the table the square brackets, as in  $[R_x]$ , refer to the *contents* of a register. Since only a single transfer across the bus is needed, both the *Load* and *Move* operations require only one step (clock cycle) to be completed. The *Add* and *Sub* operations require three steps, as follows: In the first step the contents of  $R_x$  are transferred across the bus into register  $A$ . Then in the next step, the contents of  $R_y$  are placed onto the bus. The adder/subtractor module performs the required function, and the results are stored in register  $G$ . Finally, in the third step the contents of  $G$  are transferred into  $R_x$ .

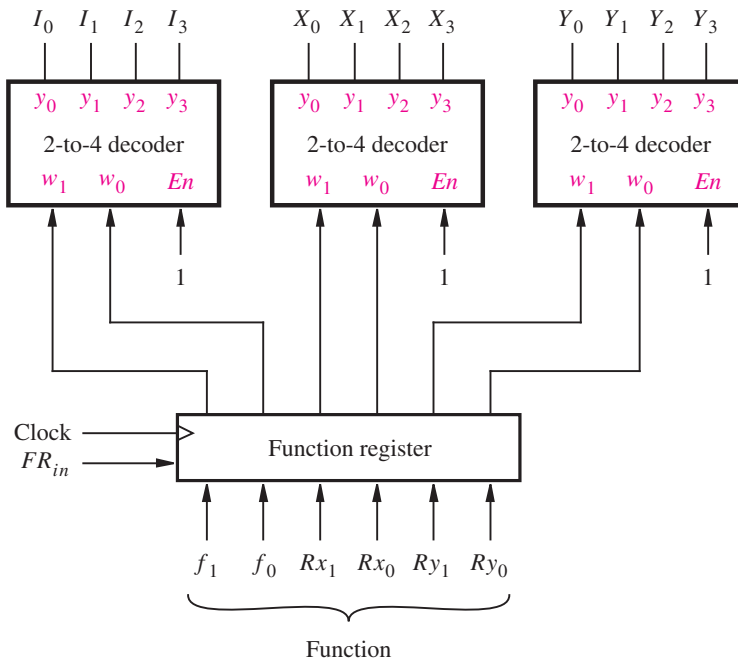
A digital system that performs the types of operations listed in Table 7.1 is usually called a *processor*. The specific operation to be performed at any given time is indicated using the control circuit input named *Function*. The operation is initiated by setting the  $w$  input to 1, and the control circuit asserts the *Done* output when the operation is completed.

In Figure 7.2 we used an FSM to implement the control circuit. It is possible to use a similar design for the system in Figure 7.9. To illustrate another approach, we will base the design of the control circuit on a counter. This circuit has to generate the required control signals in each step of each operation. Since the longest operations (*Add* and *Sub*) need three steps (clock cycles), a two-bit counter can be used. Figure 7.10 shows a two-bit up-counter connected to a 2-to-4 decoder. Decoders are discussed in Chapter 4. The decoder is enabled at all times by setting its enable ( $En$ ) input permanently to the value 1. Each of the decoder outputs represents a step in an operation. When no operation is currently being performed, the count value is 00; hence the  $T_0$  output of the decoder is asserted. In the first step of an operation, the count value is 01, and  $T_1$  is asserted. During the second and third steps of the *Add* and *Sub* operations,  $T_2$  and  $T_3$  are asserted, respectively.

In each of steps  $T_0$  to  $T_3$ , various control signal values have to be generated by the control circuit, depending on the operation being performed. Figure 7.11 shows that the operation is specified with six bits, which form the *Function* input. The two left-most bits,  $F = f_1 f_0$ , are used as a two-bit number that identifies the operation. To represent *Load*, *Move*, *Add*, and *Sub*, we use the codes  $f_1 f_0 = 00, 01, 10$ , and  $11$ , respectively. The inputs  $R_x_1 R_x_0$  are a binary number that identifies the  $R_x$  operand, while  $R_y_1 R_y_0$  identifies the  $R_y$  operand. The *Function* inputs are stored in a six-bit Function Register when the  $FR_{in}$  signal is asserted.



**Figure 7.10** A part of the control circuit for the processor.



**Figure 7.11** The function register and decoders.

Figure 7.11 also shows three 2-to-4 decoders that are used to decode the information encoded in the  $F$ ,  $R_x$ , and  $R_y$  inputs. We will see shortly that these decoders are included as a convenience because their outputs provide simple-looking logic expressions for the various control signals.

The circuits in Figures 7.10 and 7.11 form a part of the control circuit. Using the input  $w$  and the signals  $T_0, \dots, T_3, I_0, \dots, I_3, X_0, \dots, X_3$ , and  $Y_0, \dots, Y_3$ , we will show how to derive the rest of the control circuit. It has to generate the outputs  $Extern$ ,  $Done$ ,  $A_{in}$ ,  $G_{in}$ ,  $G_{out}$ ,  $AddSub$ ,  $R0_{in}, \dots, R3_{in}$ , and  $R0_{out}, \dots, R3_{out}$ . The control circuit also has to generate the  $Clear$  and  $FR_{in}$  signals used in Figures 7.10 and 7.11.

$Clear$  and  $FR_{in}$  are defined in the same way for all operations.  $Clear$  is used to ensure that the count value remains at 00 as long as  $w = 0$  and no operation is being executed. Also, it is used to clear the count value to 00 at the end of each operation. Hence an appropriate logic expression is

$$Clear = \bar{w}T_0 + Done$$

The  $FR_{in}$  signal is used to load the values on the *Function* inputs into the Function Register when  $w$  changes to 1. Hence

$$FR_{in} = wT_0$$

The rest of the outputs from the control circuit depend on the specific step being performed in each operation. The values that have to be generated for each signal are shown in Table 7.2. Each row in the table corresponds to a specific operation, and each column represents one time step. The  $Extern$  signal is asserted only in the first step of the *Load* operation. Therefore, the logic expression that implements this signal is

$$Extern = I_0T_1$$

$Done$  is asserted in the first step of *Load* and *Move*, as well as in the third step of *Add* and *Sub*. Hence

$$Done = (I_0 + I_1)T_1 + (I_2 + I_3)T_3$$

**Table 7.2** Control signals asserted in each operation/time step.

	$T_1$	$T_2$	$T_3$
(Load): $I_0$	$Extern, R_{in} = X,$ $Done$		
(Move): $I_1$	$R_{in} = X, R_{out} = Y,$ $Done$		
(Add): $I_2$	$R_{out} = X, A_{in}$	$R_{out} = Y, G_{in},$ $AddSub = 0$	$G_{out}, R_{in} = X,$ $Done$
(Sub): $I_3$	$R_{out} = X, A_{in}$	$R_{out} = Y, G_{in},$ $AddSub = 1$	$G_{out}, R_{in} = X,$ $Done$

The  $A_{in}$ ,  $G_{in}$ , and  $G_{out}$  signals are asserted in the *Add* and *Sub* operations.  $A_{in}$  is asserted in step  $T_1$ ,  $G_{in}$  is asserted in  $T_2$ , and  $G_{out}$  is asserted in  $T_3$ . The *AddSub* signal has to be set to 0 in the *Add* operation and to 1 in the *Sub* operation. This is achieved with the following logic expressions

$$\begin{aligned}A_{in} &= (I_2 + I_3)T_1 \\G_{in} &= (I_2 + I_3)T_2 \\G_{out} &= (I_2 + I_3)T_3 \\AddSub &= I_3\end{aligned}$$

The values of  $R0_{in}, \dots, R3_{in}$  are determined using either the  $X_0, \dots, X_3$  signals or the  $Y_0, \dots, Y_3$  signals. In Table 7.2 these actions are indicated by writing either  $R_{in} = X$  or  $R_{in} = Y$ . The meaning of  $R_{in} = X$  is that  $R0_{in} = X_0, R1_{in} = X_1$ , and so on. Similarly, the values of  $R0_{out}, \dots, R3_{out}$  are specified using either  $R_{out} = X$  or  $R_{out} = Y$ .

We will develop the expressions for  $R0_{in}$  and  $R0_{out}$  by examining Table 7.2 and then show how to derive the expressions for the other register control signals. The table shows that  $R0_{in}$  is set to the value of  $X_0$  in the first step of both the *Load* and *Move* operations and in the third step of both the *Add* and *Sub* operations, which leads to the expression

$$R0_{in} = (I_0 + I_1)T_1X_0 + (I_2 + I_3)T_3X_0$$

Similarly,  $R0_{out}$  is set to the value of  $Y_0$  in the first step of *Move*. It is set to  $X_0$  in the first step of *Add* and *Sub* and to  $Y_0$  in the second step of these operations, which gives

$$R0_{out} = I_1T_1Y_0 + (I_2 + I_3)(T_1X_0 + T_2Y_0)$$

The expressions for  $R1_{in}$  and  $R1_{out}$  are the same as those for  $R0_{in}$  and  $R0_{out}$  except that  $X_1$  and  $Y_1$  are used in place of  $X_0$  and  $Y_0$ . The expressions for  $R2_{in}, R2_{out}, R3_{in}$ , and  $R3_{out}$  are derived in the same way.

The circuits shown in Figures 7.10 and 7.11, combined with the circuits represented by the above expressions, implement the control circuit in Figure 7.9.

Processors are extremely useful circuits that are widely used. We have presented only the most basic aspects of processor design. However, the techniques presented can be extended to design realistic processors, such as modern microprocessors. The interested reader can refer to books on computer organization for more details on processor design [1–2].

### Verilog Code

In this section we give two different styles of Verilog code for describing the system in Figure 7.9. The first style uses tri-state drivers to represent the bus, and it gives the logic expressions shown above for the outputs of the control circuit. The second style of code uses multiplexers to represent the bus, and it uses **case** statements that correspond to Table 7.2 to describe the outputs of the control circuit.

Verilog code for a two-bit up-counter, named *upcount*, is shown in Figure 7.12. It has a synchronous reset input, which is active high. Other subcircuits that we use in the Verilog code for the processor are the *dec2to4*, *regn*, and *trin* modules in Figures 4.31, 7.5, and 7.6.

```

module upcount (Clear, Clock, Q);
  input Clear, Clock;
  output reg [1:0] Q;

  always @(posedge Clock)
    if (Clear)
      Q <= 0;
    else
      Q <= Q + 1;

endmodule

```

**Figure 7.12** A two-bit up-counter with synchronous reset.

Complete code for the processor is given in Figure 7.13. The instantiated modules *counter* and *decT* represent the subcircuits in Figure 7.10. Note that we have assumed that the circuit has an active-high reset input, *Reset*, which is used to initialize the counter to 00. The statement **assign** *Func* = {F, Rx, Ry} uses the concatenate operator to create the six-bit signal *Func*, which represents the inputs to the Function Register in Figure 7.11. The *functionreg* module represents the Function Register with the data inputs *Func* and the outputs *FuncReg*. The instantiated modules *decI*, *decX*, and *decY* represent the decoders in Figure 7.11. Following these statements the previously derived logic expressions for the outputs of the control circuit are given. For  $R0_{in}, \dots, R3_{in}$  and  $R0_{out}, \dots, R3_{out}$ , a **for** loop is used to produce the expressions.

At the end of the code, the adder/subtractor module is defined and the tri-state drivers and registers in the processor are instantiated.

### Using Multiplexers and Case Statements

We showed in Figure 7.4 that a bus can be implemented with multiplexers, rather than tri-state drivers. Verilog code that describes the processor using this approach is shown in Figure 7.14. The code illustrates a different way of describing the control circuit in the processor. It does not give logic expressions for the signals *Extern*, *Done*, and so on, as in Figure 7.13. Instead, **case** statements are used to represent the information shown in Table 7.2. Each control signal is first assigned the value 0 as a default. This is required because the **case** statements specify the values of the control signals only when they should be asserted, as we did in Table 7.2. As explained in Chapter 5, when the value of a signal is not specified, the signal retains its current value. This implied memory results in a feedback connection, representing a latch, in the synthesized circuit. We avoid this problem by providing the default value of 0 for each of the control signals involved in the **case** statements.

In Figure 7.13 the decoders *decT* and *decI* are used to decode the *Count* signal and the stored values of the *F* input, respectively. The *decT* decoder has the outputs  $T_0, \dots, T_3$ , and *decI* produces  $I_0, \dots, I_3$ . In Figure 7.14 these two decoders are not used, because they do not serve a useful purpose in this code. Instead, the signal *I* is defined as a two-bit

```

module proc (Data, Reset, w, Clock, F, Rx, Ry, Done, BusWires);
  input [7:0] Data;
  input Reset, w, Clock;
  input [1:0] F, Rx, Ry;
  output wire [7:0] BusWires;
  output Done;
  reg [0:3] Rin, Rout;
  reg [7:0] Sum;
  wire Clear, AddSub, Extern, Ain, Gin, Gout, FRin;
  wire [1:0] Count;
  wire [0:3] T, I, Xreg, Y;
  wire [7:0] R0, R1, R2, R3, A, G;
  wire [1:6] Func, FuncReg;
  integer k;

  upcount counter (Clear, Clock, Count);
  dec2to4 decT (Count, 1'b1, T);

  assign Clear = Reset | Done | (~w & T[0]);
  assign Func = {F, Rx, Ry};
  assign FRin = w & T[0];

  regn functionreg (Func, FRin, Clock, FuncReg);
    defparam functionreg.n = 6;
  dec2to4 decI (FuncReg[1:2], 1'b1, I);
  dec2to4 decX (FuncReg[3:4], 1'b1, Xreg);
  dec2to4 decY (FuncReg[5:6], 1'b1, Y);

  assign Extern = I[0] & T[1];
  assign Done = ((I[0] | I[1]) & T[1]) | ((I[2] | I[3]) & T[3]);
  assign Ain = (I[2] | I[3]) & T[1];
  assign Gin = (I[2] | I[3]) & T[2];
  assign Gout = (I[2] | I[3]) & T[3];
  assign AddSub = I[3];

```

... continued in Part *b*.

**Figure 7.13** Code for the processor (Part *a*).

signal, and the two-bit signal *Count* is used instead of *T*. These signals are used in the **case** statements. The code sets *I* to the value of the two left-most bits in the Function Register, which correspond to the stored values of the input *F*.

There are two nested levels of **case** statements. The first one enumerates the possible values of *Count*. For each alternative in this **case** statement, which represents a column in Table 7.2, there is a nested **case** statement that enumerates the four values of *I*. As

```

// RegCntl
always @(I, T, Xreg, Y)
  for (k = 0; k < 4; k = k+1)
    begin
      Rin[k] = ((I[0] | I[1] & T[1] & Xreg[k]) |
        ((I[2] | I[3] & T[3] & Xreg[k]);
      Rout[k] = (I[1] & T[1] & Y[k]) | ((I[2] | I[3]) &
        ((T[1] & Xreg[k]) | (T[2] & Y[k])));
    end

trin tri_ext (Data, Extern, BusWires);
regn reg_0 (BusWires, Rin[0], Clock, R0);
regn reg_1 (BusWires, Rin[1], Clock, R1);
regn reg_2 (BusWires, Rin[2], Clock, R2);
regn reg_3 (BusWires, Rin[3], Clock, R3);

trin tri_0 (R0, Rout[0], BusWires);
trin tri_1 (R1, Rout[1], BusWires);
trin tri_2 (R2, Rout[2], BusWires);
trin tri_3 (R3, Rout[3], BusWires);
regn reg_A (BusWires, Ain, Clock, A);

// alu
always @(AddSub, A, BusWires)
  if (!AddSub)
    Sum = A + BusWires;
  else
    Sum = A - BusWires;

regn reg_G (Sum, Gin, Clock, G);
trin tri_G (G, Gout, BusWires);

endmodule

```

**Figure 7.13** Code for the processor (Part *b*).

indicated by the comments in the code, the nested **case** statements correspond exactly to the information given in Table 7.2.

At the end of Figure 7.14, the bus structure is described with an **if-else** statement which represents multiplexers that place the appropriate data onto *BusWires*, depending on the values of  $R_{out}$ ,  $G_{out}$ , and *Extern*.

We synthesized a circuit to implement the code in Figure 7.14 in a chip. Figure 7.15 gives an example of the results of a timing simulation. Each clock cycle in which  $w = 1$  in this timing diagram indicates the start of an operation. In the first such operation, at 250 ns

```

module proc (Data, Reset, w, Clock, F, Rx, Ry, Done, BusWires);
  input [7:0] Data;
  input Reset, w, Clock;
  input [1:0] F, Rx, Ry;
  output reg [7:0] BusWires;
  output reg Done;
  reg [7:0] Sum;
  reg [0:3] Rin, Rout;
  reg Extern, Ain, Gin, Gout, AddSub;
  wire [1:0] Count, I;
  wire [0:3] Xreg, Y;
  wire [7:0] R0, R1, R2, R3, A, G;
  wire [1:6] Func, FuncReg, Sel;

  wire Clear = Reset | Done | (~w & ~Count[1] & ~Count[0]);
  upcount counter (Clear, Clock, Count);
  assign Func = {F, Rx, Ry};
  wire FRin = w & ~Count[1] & ~Count[0];
  regn functionreg (Func, FRin, Clock, FuncReg);
  defparam functionreg.n = 6;
  assign I = FuncReg[1:2];
  dec2to4 decX (FuncReg[3:4], 1'b1, Xreg);
  dec2to4 decY (FuncReg[5:6], 1'b1, Y);

  always @(Count, I, Xreg, Y)
  begin
    Extern = 1'b0; Done = 1'b0; Ain = 1'b0; Gin = 1'b0;
    Gout = 1'b0; AddSub = 1'b0; Rin = 4'b0; Rout = 4'b0;
    case (Count)
      2'b00: ; //no signals asserted in time step T0
      2'b01: //define signals in time step T1
        case (I)
          2'b00: begin //Load
            Extern = 1'b1; Rin = Xreg; Done = 1'b1;
          end
          2'b01: begin //Move
            Rout = Y; Rin = Xreg; Done = 1'b1;
          end
          default: begin //Add, Sub
            Rout = Xreg; Ain = 1'b1;
          end
        endcase
    . . . continued in Part b.
  end

```

**Figure 7.14** Alternative code for the processor (Part a).



```

2'b10: //define signals in time step T2
  case(I)
    2'b10: begin //Add
      Rout = Y; Gin = 1'b1;
    end
    2'b11: begin //Sub
      Rout = Y; AddSub = 1'b1; Gin = 1'b1;
    end
    default: ; //Add, Sub
  endcase
2'b11:
  case (I)
    2'b10, 2'b11: begin
      Gout = 1'b1; Rin = Xreg; Done = 1'b1;
    end
    default: ; //Add, Sub
  endcase
endcase
end

regn reg_0 (BusWires, Rin[0], Clock, R0);
regn reg_1 (BusWires, Rin[1], Clock, R1);
regn reg_2 (BusWires, Rin[2], Clock, R2);
regn reg_3 (BusWires, Rin[3], Clock, R3);
regn reg_A (BusWires, Ain, Clock, A);

```

. . . continued in Part *c*.

**Figure 7.14** Alternative code for the processor (Part *b*).

in the simulation time, the values of both inputs  $F$  and  $R_x$  are 00. Hence the operation corresponds to “Load  $R_0$ ,  $Data$ .” The value of  $Data$  is 2A, which is loaded into  $R_0$  on the next positive clock edge. The next operation loads 55 into register  $R_1$ , and the subsequent operation loads 22 into  $R_2$ . At 850 ns the value of the input  $F$  is 10, while  $R_x = 01$  and  $R_y = 00$ . This operation is “Add  $R_1$ ,  $R_0$ .” In the following clock cycle, the contents of  $R_1$  (55) appear on the bus. This data is loaded into register  $A$  by the clock edge at 950 ns, which also results in the contents of  $R_0$  (2A) being placed on the bus. The adder/subtractor module generates the correct sum (7F), which is loaded into register  $G$  at 1050 ns. After this clock edge the new contents of  $G$  (7F) are placed on the bus and loaded into register  $R_1$  at 1150 ns. Two more operations are shown in the timing diagram. The one at 1250 ns (“Move  $R_3$ ,  $R_1$ ”) copies the contents of  $R_1$  (7F) into  $R_3$ . Finally, the operation starting at 1450 ns (“Sub  $R_3$ ,  $R_2$ ”) subtracts the contents of  $R_2$  (22) from the contents of  $R_3$  (7F), producing the correct result,  $7F - 22 = 5D$ .

```

// alu
always @(AddSub, A, BusWires)
begin
    if (!AddSub)
        Sum = A + BusWires;
    else
        Sum = A - BusWires;
end

regn reg_G (Sum, Gin, Clock, G);
assign Sel = {Rout, Gout, Extern};

always @(Sel, R0, R1, R2, R3, G, Data)
begin
    if (Sel == 6'b100000)
        BusWires = R0;
    else if (Sel == 6'b010000)
        BusWires = R1;
    else if (Sel == 6'b001000)
        BusWires = R2;
    else if (Sel == 6'b000100)
        BusWires = R3;
    else if (Sel == 6'b000010)
        BusWires = G;
    else BusWires = Data;
end

endmodule

```

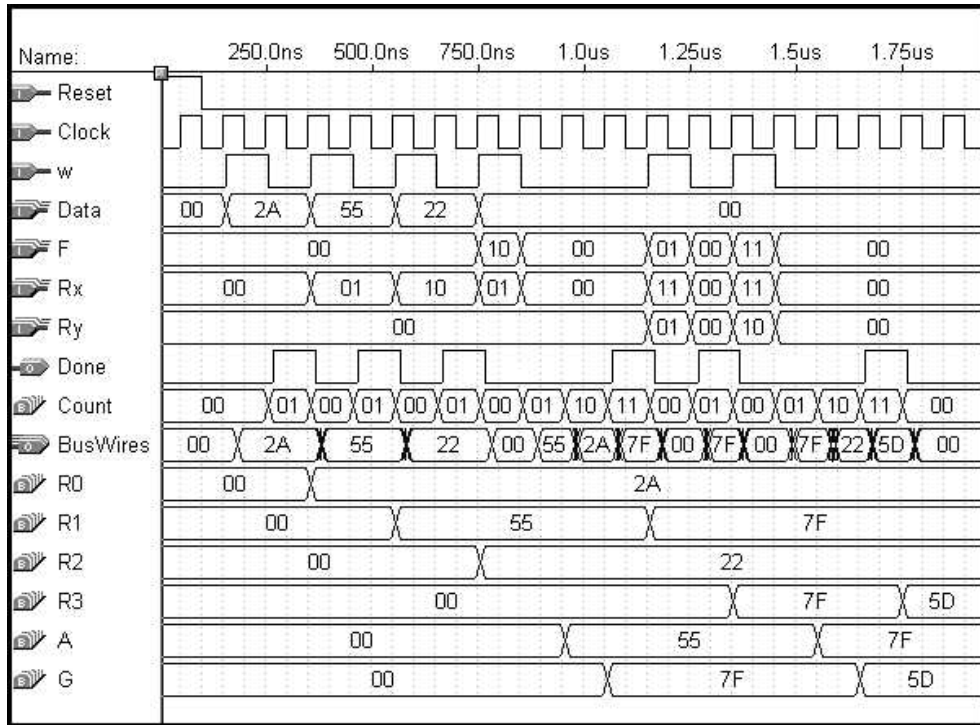
**Figure 7.14** Alternative code for the processor (Part c).

---

## 7.3 A BIT-COUNTING CIRCUIT

We introduced algorithmic state machine (ASM) charts in Section 6.10 and showed how they can be used to describe finite state machines. ASM charts can also be used to describe digital systems that include both datapath and control circuits. We will illustrate how the ASM charts can be used as an aid in designing digital systems by using them in the remaining examples in this chapter.

Suppose that we wish to count the number of bits in a register,  $A$ , that have the value 1. Figure 7.16 shows pseudo-code for a step-by-step procedure, or *algorithm*, that can be used to perform the required task. It assumes that  $A$  is stored in a register that can shift its contents in the left-to-right direction. The answer produced by the algorithm is stored in



**Figure 7.15** Timing simulation for the Verilog code in Figure 7.14.

```

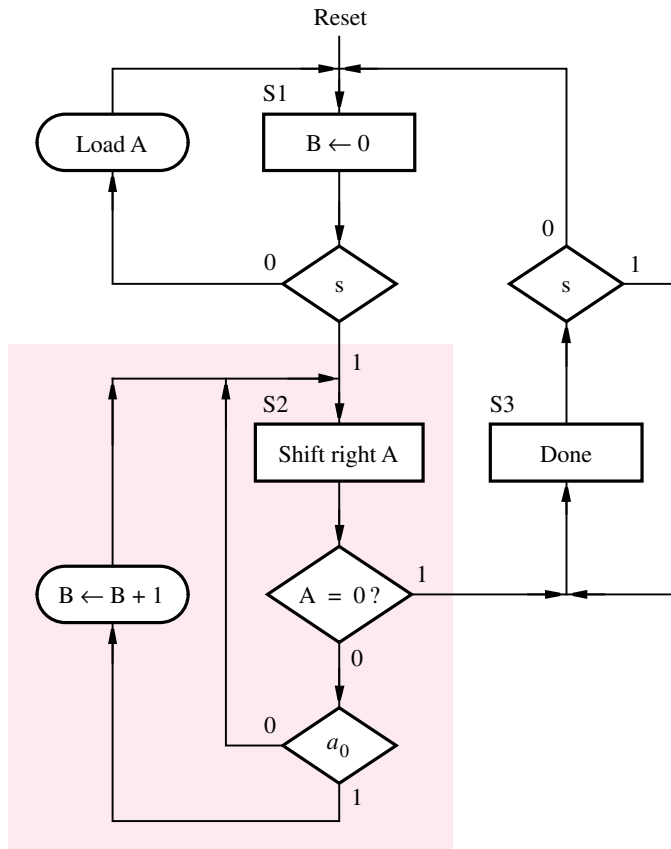
B = 0;
while A ≠ 0 do
    if a0 = 1 then
        B = B + 1;
    end if;
    Right-shift A;
end while;

```

**Figure 7.16** Pseudo-code for the bit counter.

the variable named  $B$ . The algorithm terminates when  $A$  does not contain any more 1s, that is when  $A = 0$ . In each iteration of the while loop, if the least-significant bit (LSB) of  $A$  is 1, then  $B$  is incremented by 1; otherwise,  $B$  is not changed. The contents of  $A$  are shifted one bit to the right at the end of each loop iteration.

Figure 7.17 gives an ASM chart that represents the algorithm in Figure 7.16. The state box for the starting state,  $S1$ , specifies that  $B$  is initialized to 0. We assume that an input signal,  $s$ , exists, which is used to indicate when the data to be processed has been loaded



**Figure 7.17** ASM chart for the pseudo-code in Figure 7.16.

into  $A$ , so that the machine can start. The decision box labeled  $s$  stipulates that the machine remains in state  $S1$  as long as  $s = 0$ . The conditional output box with *Load A* written inside it indicates that  $A$  is loaded from external data inputs if  $s = 0$  in state  $S1$ .

When  $s$  becomes 1, the machine changes to state  $S2$ . The decision box below the state box for  $S2$  checks whether  $A = 0$ . If so, the bit-counting operation is complete; hence the machine should change to state  $S3$ . If not, the FSM remains in state  $S2$ . The decision box at the bottom of the chart checks the value of  $a_0$ . If  $a_0 = 1$ ,  $B$  is incremented, which is indicated in the chart as  $B \leftarrow B + 1$ . If  $a_0 = 0$ , then  $B$  is not changed. In state  $S3$ ,  $B$  contains the result, which is the number of bits in  $A$  that were 1. An output signal, *Done*, is set to 1 to indicate that the algorithm is finished; the FSM stays in  $S3$  until  $s$  goes back to 0.

### ASM Chart Implied Timing Information

In Chapter 6 we said that ASM charts are similar to traditional flowcharts, except that the ASM chart implies timing information. We can use the bit-counting example to illustrate this concept. Consider the ASM block for state  $S2$ , which is shaded in blue in Figure 7.17.

In a traditional flowchart, when state  $S2$  is entered, the value of  $A$  would first be shifted to the right. Then we would examine the value of  $A$  and if  $A$ 's LSB is 1, we would immediately add 1 to  $B$ . But, since the ASM chart represents a sequential circuit, changes in  $A$  and  $B$ , which represent the outputs of flip-flops, take place after the active clock edge. The same clock signal that controls changes in the state of the machine also controls changes in  $A$  and  $B$ . When the machine is in state  $S1$ , the next active clock edge will only perform the action specified inside the state box for  $S1$ , which is  $B \leftarrow 0$ . Hence in state  $S2$ , the decision box that tests whether  $A = 0$ , as well as the box that checks the value of  $a_0$ , check the bits in  $A$  before they are shifted. If  $A = 0$ , then the FSM will change to state  $S3$  on the next clock edge (this clock edge also shifts  $A$ , which has no effect because  $A$  is already 0 in this case.) On the other hand, if  $A \neq 0$ , then the FSM does not change to  $S3$ , but remains in  $S2$ . At the same time,  $A$  is still shifted, and  $B$  is incremented if  $a_0$  has the value 1. These timing issues are illustrated in Figure 7.21, which represents a simulation result for a circuit that implements the ASM chart. We show how the circuit is designed in the following discussion.

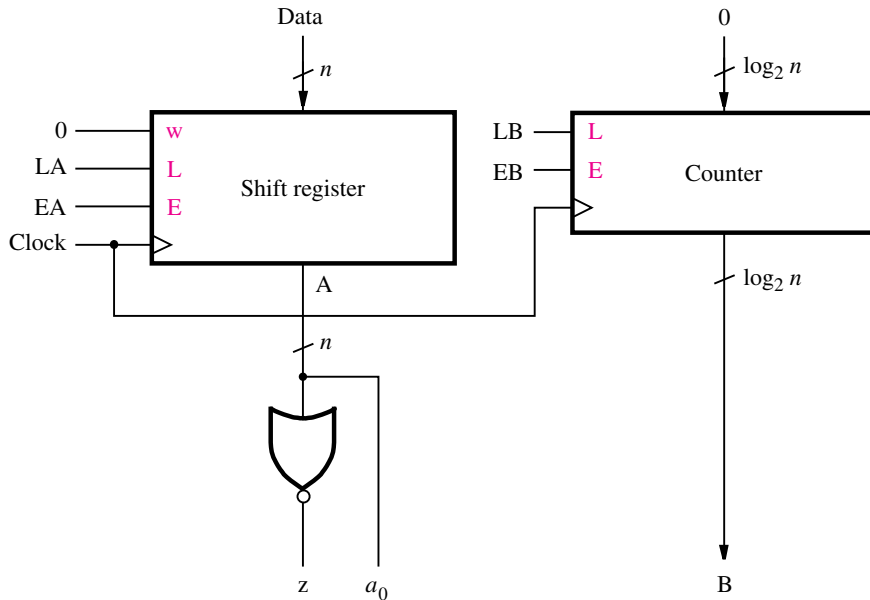
### Datapath Circuit

By examining the ASM chart for the bit-counting circuit, we can infer the type of circuit elements needed to implement its datapath. We need a shift register that shifts left-to-right to implement  $A$ . It must have the parallel-load capability because of the conditional output box in state  $S1$  that loads data into the register. An enable input is also required because shifting should occur only in state  $S2$ . A counter is needed for  $B$ , and it needs a parallel-load capability to initialize the count to 0 in state  $S1$ . It is not wise to rely on the counter's reset input to clear  $B$  to 0 in state  $S1$ . In practice, the reset signal is used in a digital system for only two purposes: to initialize the circuit when power is first applied, or to recover from an error. The machine changes from state  $S3$  to  $S1$  as a result of  $s = 0$ ; hence we should not assume that the reset signal is used to clear the counter.

The datapath circuit is depicted in Figure 7.18. The serial input to the shift register,  $w$ , is connected to 0, because it is not needed. The load and enable inputs on the shift register are driven by the signals  $LA$  and  $EA$ . The parallel input to the shift register is named  $Data$ , and its parallel output is  $A$ . An  $n$ -input NOR gate is used to test whether  $A = 0$ . The output of this gate,  $z$ , is 1 when  $A = 0$ . Note that the figure indicates the  $n$ -input NOR gate by showing a single input connection to the gate, with the label  $n$  attached to it. The counter has  $\log_2(n)$  bits, with parallel inputs connected to 0 and parallel outputs named  $B$ . It also has a parallel-load input  $LB$  and enable input  $EB$  control signals.

### Control Circuit

For convenience we can draw a second ASM chart that represents only the FSM needed for the control circuit, as shown in Figure 7.19. The FSM has the inputs  $s$ ,  $a_0$ , and  $z$  and generates the outputs  $EA$ ,  $LB$ ,  $EB$ , and  $Done$ . In state  $S1$ ,  $LB$  is asserted, so that 0 is loaded in parallel into the counter. Note that for the control signals, like  $LB$ , instead of writing  $LB = 1$ , we simply write  $LB$  to indicate that the signal is asserted. We assume that external circuitry drives  $LA$  to 1 when valid data is present at the parallel inputs of the shift register, so that the shift register contents are initialized before  $s$  changes to 1. In state  $S2$ ,  $EA$  is asserted to cause a shift operation, and the count enable for  $B$  is asserted only if  $a_0 = 1$ .



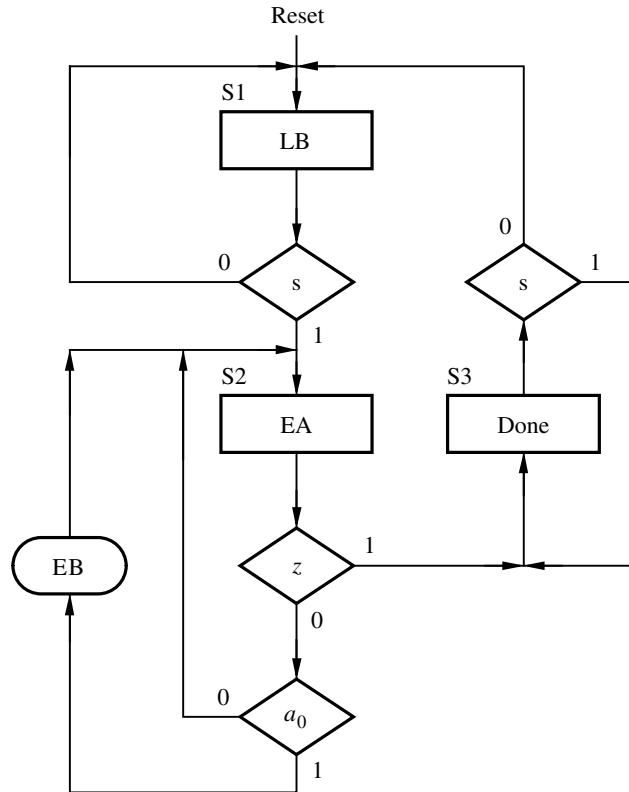
**Figure 7.18** Datapath for the ASM chart in Figure 7.17.

### Verilog Code

The bit-counting circuit can be described in Verilog code as shown in Figure 7.20. We have chosen to define  $A$  as an eight-bit vector and  $B$  as a four-bit vector signal. The ASM chart in Figure 7.19 can be directly translated into code that describes the required control circuit. The signal  $y$  is used to represent the present state of the FSM, and  $Y$  represents the next state. The FSM is described with three **always** blocks: the block labeled *State\_table* specifies the state transitions, the block labeled *State\_flipflops* represents the state flip-flops, and the block labeled *FSM\_outputs* specifies the generated outputs in each state. A default value is specified at the beginning of the *FSM\_outputs* block for each output signal, and then individual output values are specified in the **case** statement. For example, the default value of  $EA$  is 0, and  $EA$  is set to 1 only in state  $S2$ . Thus,  $A$  will be shifted only when the FSM is in state  $S2$  and an active clock edge occurs.

The fourth **always** block defines the up-counter that implements  $B$ . The shift register for  $A$  is instantiated at the end of the code; its specification is given in Figure 5.60, but the parameter value has to be  $n = 8$ . Finally, the  $z$  signal is defined using the reduction NOR operator.

We implemented the code in Figure 7.20 in a chip and performed a timing simulation. Figure 7.21 gives the results of the simulation for  $A = 00111011$ . After the circuit is reset, the input signal  $LA$  is set to 1, and the desired data,  $(3B)_{16}$ , is placed on the  $Data$  input. When  $s$  changes to 1, the next active clock edge causes the FSM to change to state  $S2$ . In this state, each active clock edge increments  $B$  if  $a_0$  is 1, and shifts  $A$ . When  $A = 0$ , the



**Figure 7.19** ASM chart for the bit counter control circuit.

next clock edge causes the FSM to change to state  $S3$ , where  $Done$  is set to 1 and  $B$  has the correct result,  $B = 5$ . To check more thoroughly that the circuit is designed correctly, we should try different values of input data.

## 7.4 SHIFT-AND-ADD MULTIPLIER

We presented a circuit that multiplies two unsigned  $n$ -bit binary numbers in Figure 3.35. The circuit uses a two-dimensional array of identical subcircuits, each of which contains a full-adder and an AND gate. For large values of  $n$ , this approach may not be appropriate because of the large number of gates needed. Another approach is to use a shift register in combination with an adder to implement the traditional method of multiplication that is done by “hand.” Figure 7.22a illustrates the manual process of multiplying two binary numbers. The product is formed by a series of addition operations. For each bit  $i$  in the

```

module bitcount (Clock, Resetn, LA, s, Data, B, Done);
  input Clock, Resetn, LA, s;
  input [7:0] Data;
  output reg [3:0] B;
  output reg Done;
  wire [7:0] A;
  wire z;
  reg [1:0] Y, y;
  reg EA, EB, LB;

// control circuit

  parameter S1 = 2'b00, S2 = 2'b01, S3 = 2'b10;

  always @(s, y, z)
  begin: State_table
    case (y)
      S1: if (!s) Y = S1;
          else Y = S2;
      S2: if (z == 0) Y = S2;
          else Y = S3;
      S3: if (s) Y = S3;
          else Y = S1;
      default: Y = 2'bxx;
    endcase
  end

  always @(posedge Clock, negedge Resetn)
  begin: State_flipflops
    if (Resetn == 0)
      y <= S1;
    else
      y <= Y;
    end

... continued in Part b.

```

**Figure 7.20** Verilog code for the bit-counting circuit (Part a).

multiplier that is 1, we add to the product the value of the multiplicand shifted to the left  $i$  times. This algorithm can be described in pseudo-code as shown in Figure 7.22b, where  $A$  is the multiplicand,  $B$  is the multiplier, and  $P$  is the product.

An ASM chart that represents the algorithm in Figure 7.22b is given in Figure 7.23. We assume that an input  $s$  is used to control when the machine begins the multiplication process. As long as  $s$  is 0, the machine stays in state  $S1$  and the data for  $A$  and  $B$  can be



```

always @(y, A[0])
begin: FSM_outputs
  // defaults
  EA = 0; LB = 0; EB = 0; Done = 0;
  case (y)
    S1: LB = 1;
    S2: begin
      EA = 1;
      if (A[0]) EB = 1;
      else EB = 0;
    end
    S3: Done = 1;
  endcase
end

// datapath circuit

// counter B
always @(negedge Resetn, posedge Clock)
  if (!Resetn)
    B <= 0;
  else if (LB)
    B <= 0;
  else if (EB)
    B <= B + 1;

  shiftme ShiftA (Data, LA, EA, 1'b0, Clock, A);
  assign z = ~|A;

endmodule

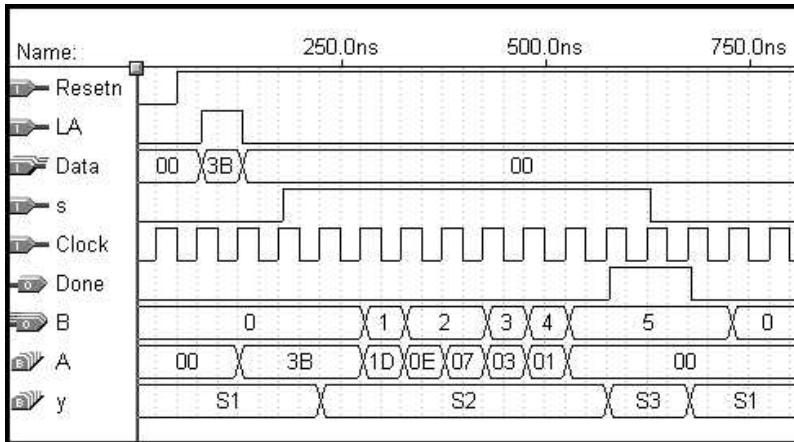
```

**Figure 7.20** Verilog code for the bit-counting circuit (Part *b*).

loaded from external inputs. In state *S2* we test the value of the LSB of *B*, and if it is 1, we add *A* to *P*. Otherwise, *P* is not changed. The machine moves to state *S3* when *B* contains 0, because *P* has the final product in this case. For each clock cycle in which the machine is in state *S2*, we shift the value of *A* to the left, as specified in the pseudo-code in Figure 7.22*b*. We shift the contents of *B* to the right so that in each clock cycle  $b_0$  can be used to decide whether or not *A* should be added to *P*.

### Datapath Circuit

We can now define the datapath circuit. To implement *A* we need a right-to-left shift register that has  $2n$  bits. A  $2n$ -bit register is needed for *P*, and it must have an enable input because the assignment  $P \leftarrow P + A$  in state *S2* is inside a conditional output box. A  $2n$ -bit



**Figure 7.21** Simulation results for the bit-counting circuit.

Decimal	Binary	
13	1 1 0 1	Multiplicand
× 11	× 1 0 1 1	Multiplier
13	1 1 0 1	
13↓	1 1 0 1	
143	0 0 0 0	
	1 1 0 1	
	1 0 0 0 1 1 1 1	Product

(a) Manual method

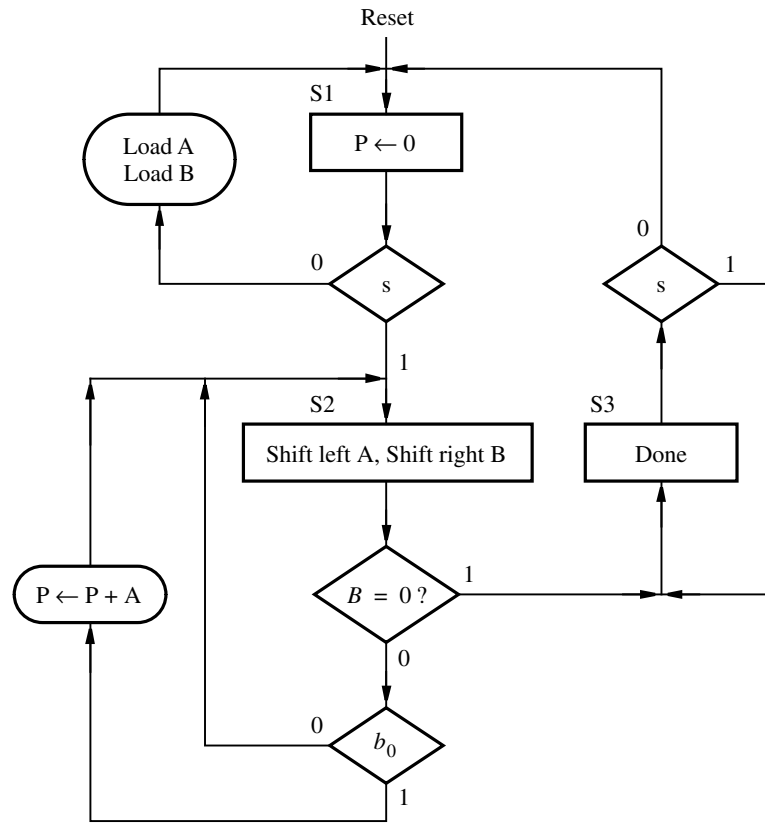
```

P = 0;
for i = 0 to n - 1 do
  if  $b_i = 1$  then
     $P = P + A$ ;
  end if;
  Left-shift A;
end for;

```

(b) Pseudo-code

**Figure 7.22** An algorithm for multiplication.



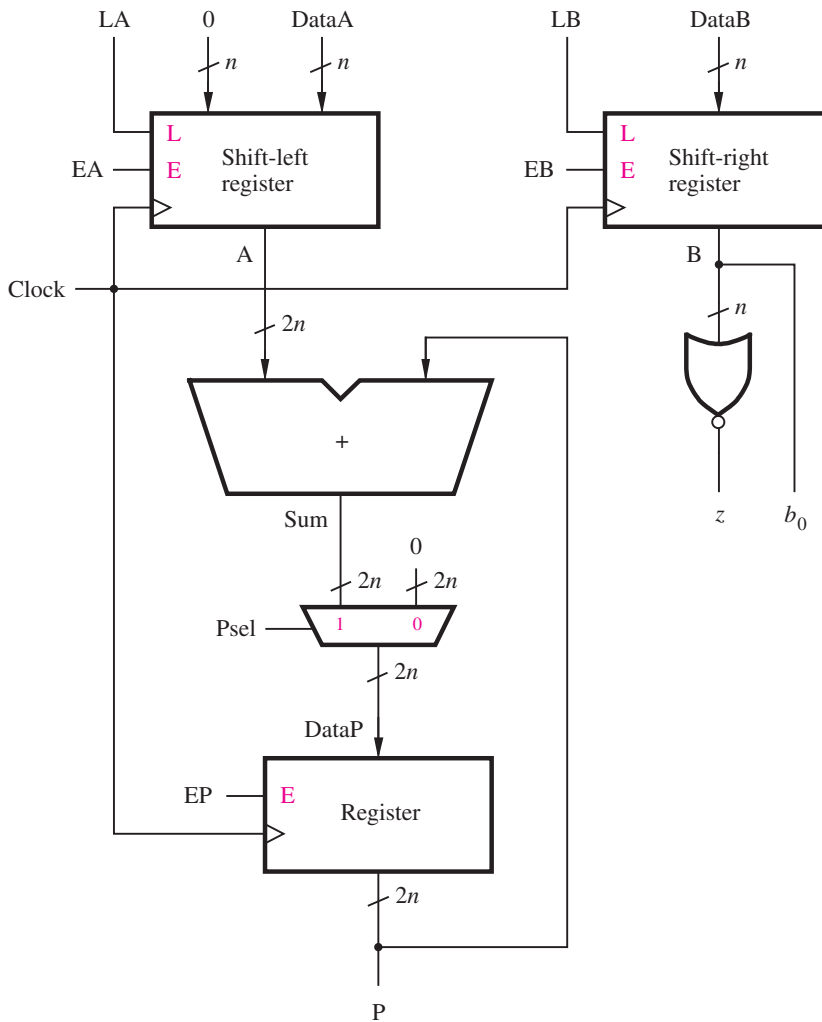
**Figure 7.23** ASM chart for the multiplier.

adder is needed to produce  $P + A$ . Note that  $P$  is loaded with 0 in state  $S1$ , and  $P$  is loaded from the output of the adder in state  $S2$ . We cannot assume that the reset input is used to clear  $P$ , because the machine changes from state  $S3$  back to  $S1$  based on the  $s$  input, not the reset input. Hence a 2-to-1 multiplexer is needed for each input to  $P$ , to select either 0 or the appropriate sum bit from the adder. An  $n$ -bit left-to-right shift register is needed for  $B$ , and an  $n$ -input NOR gate can be used to test whether  $B = 0$ .

Figure 7.24 shows the datapath circuit and labels the control signals for the shift registers. The input data for the shift register that holds  $A$  is named  $DataA$ . Since the shift register has  $2n$  bits, the most-significant  $n$  data inputs are connected to 0. A single multiplexer symbol is shown connected to the register that holds  $P$ . This symbol represents  $2n$  2-to-1 multiplexers that are each controlled by the  $Psel$  signal.

### Control Circuit

An ASM chart that represents only the control signals needed for the multiplier is given in Figure 7.25. In state  $S1$ ,  $Psel$  is set to 0 and  $EP$  is asserted, so that register  $P$  is cleared. When  $s = 0$ , parallel data can be loaded into shift registers  $A$  and  $B$  by an external circuit

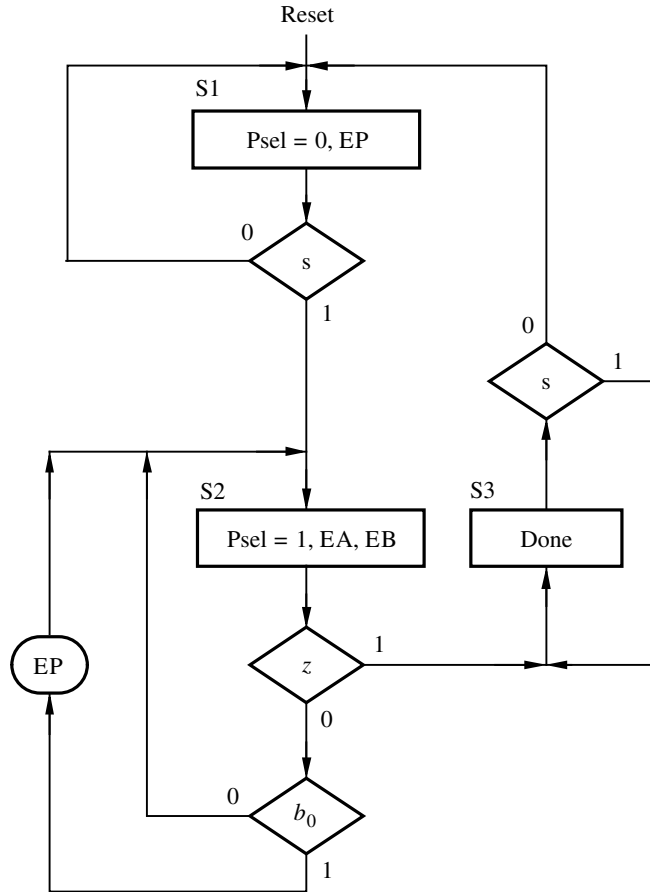


**Figure 7.24** Datapath circuit for the multiplier.

that controls their parallel-load inputs  $LA$  and  $LB$ . When  $s = 1$ , the machine changes to state  $S2$ , where  $Psel$  is set to 1 and shifting of  $A$  and  $B$  is enabled. If  $b_0 = 1$ , the enable for  $P$  is asserted. The machine changes to state  $S3$  when  $z = 1$ , and then remains in  $S3$  and sets  $Done$  to the value 1 as long as  $s = 1$ .

### Verilog Code

Verilog code for the multiplier is given in Figure 7.26. The number of bits in  $A$  and  $B$  is set by the parameter  $n$ . For registers that are  $2n$  bits wide, the number of bits is set to  $n + n$ . By changing the value of the parameters, the code can be used for numbers of any size.



**Figure 7.25** ASM chart for the multiplier control circuit.

The **always** blocks labeled *State\_table* and *State\_flipflops* define the state transitions and state flip-flops, respectively. The control circuit outputs are specified in the **always** block labeled *FSM\_outputs*. The parallel data input on the shift register *A* is  $2n$  bits wide, but *DataA* is only  $n$  bits wide. Hence the concatenate operation  $\{\{n\{1'b0\}\}, \text{DataA}\}$  is used to prepend  $n$  zeros onto *DataA* for loading into the shift register. The multiplexer needed for register *P* is defined using a **for** loop that defines  $2n$  2-to-1 multiplexers. Figure 7.27 gives a simulation result for the circuit generated from the code. After the circuit is reset, *LA* and *LB* are set to 1, and the numbers to be multiplied are placed on the *DataA* and *DataB* inputs. After *s* is set to 1, the FSM (*y*) changes to state *S2*, where it remains until *B* = 0. For each clock cycle in state *S2*, *A* is shifted to the left, and *B* is shifted to the right. In three of the clock cycles in state *S2*, the contents of *A* are added to *P*, corresponding to the three bits in *B* that have the value 1. When *B* = 0, the FSM changes to state *S3* and *P* contains the

```

module multiply (Clock, Resetn, LA, LB, s, DataA, DataB, P, Done);
  parameter n = 8;
  input Clock, Resetn, LA, LB, s;
  input [n-1:0] DataA, DataB;
  output [n+n-1:0] P;
  output reg Done;
  wire z;
  reg [n+n-1:0] DataP;
  wire [n+n-1:0] A, Sum;
  reg [1:0] y, Y;
  wire [n-1:0] B;
  reg EA, EB, EP, Psel;
  integer k;

// control circuit

  parameter S1 = 2'b00, S2 = 2'b01, S3 = 2'b10;

  always @(s, y, z)
  begin: State_table
    case (y)
      S1: if (s == 0) Y = S1;
         else Y = S2;
      S2: if (z == 0) Y = S2;
         else Y = S3;
      S3: if (s == 1) Y = S3;
         else Y = S1;
      default: Y = 2'bxx;
    endcase
  end

  always @(posedge Clock, negedge Resetn)
  begin: State_flipflops
    if (Resetn == 0)
      y <= S1;
    else
      y <= Y;
    end

... continued in Part b.

```

**Figure 7.26** Verilog code for the multiplier circuit (Part a).

```

always @(s, y, B[0])
begin: FSM_outputs
  // defaults
  EA = 0; EB = 0; EP = 0; Done = 0; Psel = 0;
  case (y)
    S1: EP = 1;
    S2: begin
      EA = 1; EB = 1; Psel = 1;
      if (B[0]) EP = 1;
      else EP = 0;
    end
    S3: Done = 1;
  endcase
end

//datapath circuit

shiftrne ShiftB (DataB, LB, EB, 1'b0, Clock, B);
defparam ShiftB.n = 8;
shiftlne ShiftA ({n{1'b0}}, DataA}, LA, EA, 1'b0, Clock, A);
defparam ShiftA.n = 16;

assign z = (B == 0);
assign Sum = A + P;

// define the 2n 2-to-1 multiplexers
always @(Psel, Sum)
  for (k = 0; k < n+n; k = k+1)
    DataP[k] = Psel ? Sum[k] : 1'b0;

regne RegP (DataP, Clock, Resetn, EP, P);
defparam RegP.n = 16;

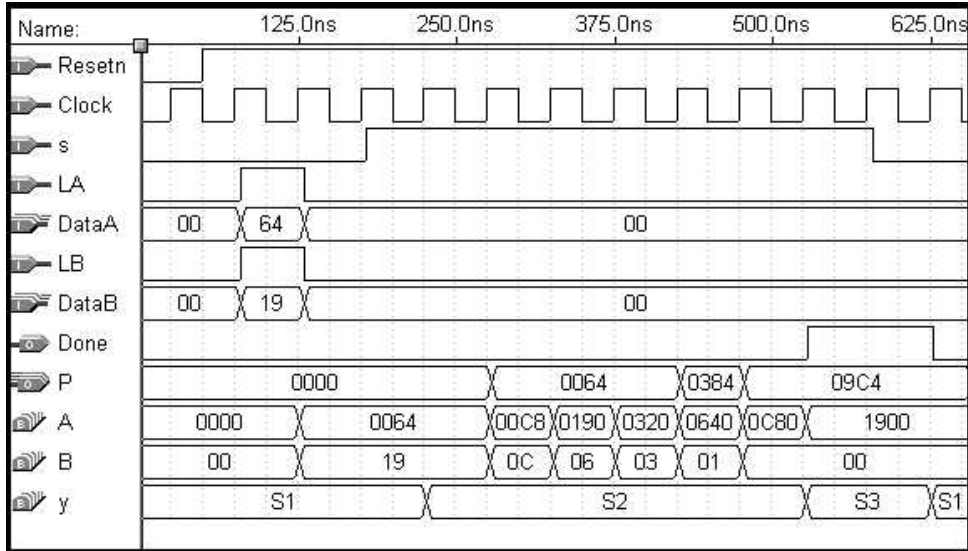
endmodule

```

**Figure 7.26** Verilog code for the multiplier circuit (Part *b*).

correct product, which is  $(64)_{16} \times (19)_{16} = (9C4)_{16}$ . The decimal equivalent of this result is  $100 \times 25 = 2500$ .

The number of clock cycles that the circuit requires to generate the final product is determined by the left-most digit in  $B$  that is 1. It is possible to reduce the number of clock cycles needed by using more complex shift registers for  $A$  and  $B$ . If the two right-most bits in  $B$  are both 0, then both  $A$  and  $B$  could be shifted by two bit positions in one clock cycle. Similarly, if the three lowest digits in  $B$  are 0, then a three bit-position shift can be done,



**Figure 7.27** Simulation results for the multiplier circuit.

and so on. A shift register that can shift by multiple bit positions at once can be built using a *barrel shifter*. We leave it as an exercise for the reader to modify the multiplier to make use of a barrel shifter.

## 7.5 DIVIDER

The preceding example implements the traditional method of performing multiplication by hand. In this example we will design a circuit that implements the traditional long-hand division. Figure 7.28a gives an example of long-hand division. The first step is to try to divide the divisor 9 into the first digit of the dividend 1, which does not work. Next, we try to divide 9 into 14, and determine that 1 is the first digit in the quotient. We perform the subtraction  $14 - 9 = 5$ , bring down the last digit from the dividend to form 50, and then determine that the next digit in the quotient is 5. The remainder is  $50 - 45 = 5$ , and the quotient is 15. Using binary numbers, as illustrated in Figure 7.28b, involves the same process, with the simplification that each digit of the quotient can be only 0 or 1.

Given two unsigned  $n$ -bit numbers  $A$  and  $B$ , we wish to design a circuit that produces two  $n$ -bit outputs  $Q$  and  $R$ , where  $Q$  is the quotient  $A/B$  and  $R$  is the remainder. The procedure illustrated in Figure 7.28b can be implemented by shifting the digits in  $A$  to the left, one digit at a time, into a shift register  $R$ . After each shift operation, we compare  $R$  with  $B$ . If  $R \geq B$ , a 1 is placed in the appropriate bit position in the quotient and  $B$  is subtracted from  $R$ . Otherwise, a 0 bit is placed in the quotient. This algorithm is described using



$$\begin{array}{r} 15 \\ 9 \overline{) 140} \\ \underline{9} \phantom{0} \\ 50 \\ \underline{45} \\ 5 \end{array}$$

(a) An example using decimal numbers

$$\begin{array}{r} \phantom{0000}1111 \leftarrow Q \\ B \rightarrow 1001 \overline{) 10001100} \leftarrow A \\ \underline{1001} \phantom{00} \\ \phantom{1000}01 \\ \underline{1001} \phantom{00} \\ \phantom{10000}00 \\ \underline{1001} \phantom{00} \\ \phantom{1110}00 \\ \phantom{1110}01 \leftarrow R \end{array}$$

(b) Using binary numbers

```

R = 0;
for i = 0 to n - 1 do
    Left-shift R||A;
    if R ≥ B then
        qi = 1;
        R = R - B;
    else
        qi = 0;
    end if;
end for;

```

(c) Pseudo-code

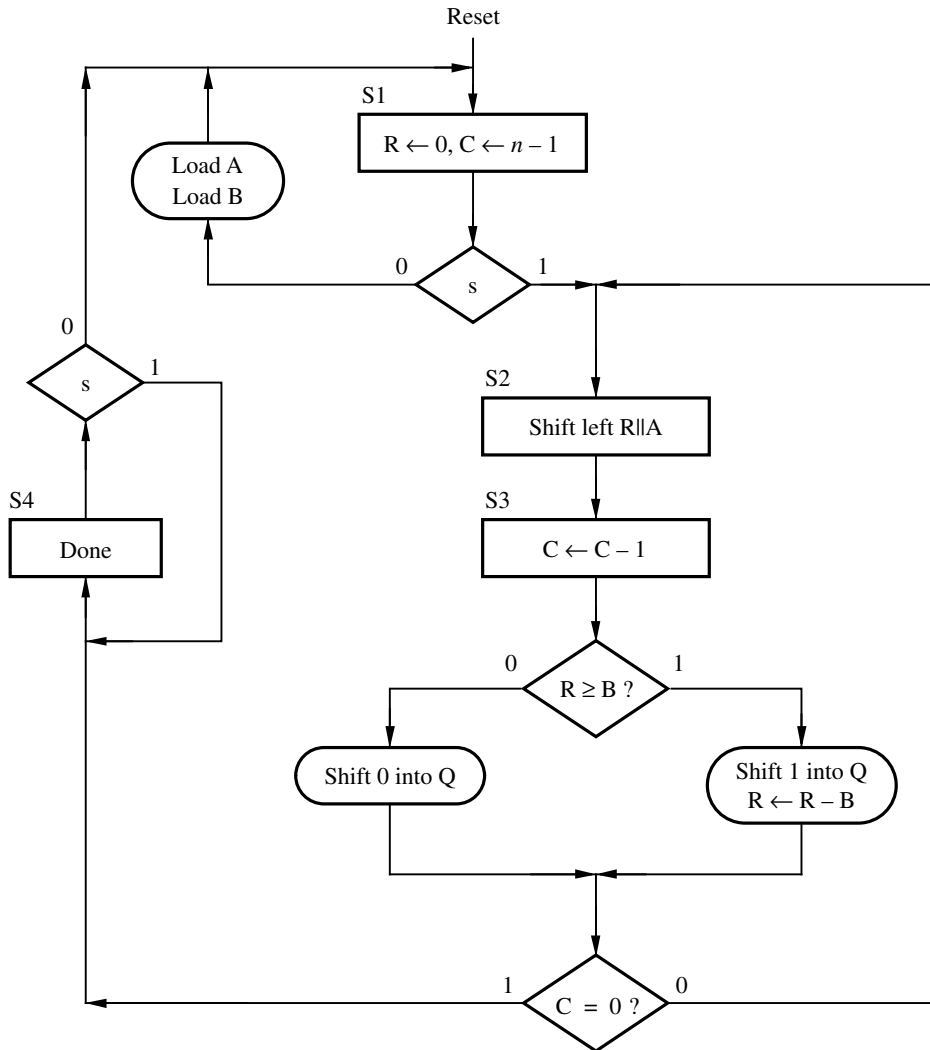
**Figure 7.28** An algorithm for division.

pseudo-code in Figure 7.28c. The notation  $R||A$  is used to represent a  $2n$ -bit shift register formed using  $R$  as the left-most  $n$  bits and  $A$  as the right-most  $n$  bits.

In the long-division pseudo-code, each loop iteration results in setting a digit  $q_i$  to either 1 or 0. A straightforward way to accomplish this is to shift 1 or 0 into the least-significant bit of  $Q$  in each loop iteration. An ASM chart that represents the divider circuit is shown in Figure 7.29. The signal  $C$  represents a counter that is initialized to  $n - 1$  in the starting state  $S1$ . In state  $S2$ , both  $R$  and  $A$  are shifted to the left, and then in state  $S3$ ,  $B$  is subtracted from  $R$  if  $R \geq B$ . The machine changes to state  $S4$  when  $C = 0$ .

### Datapath Circuit

We need  $n$ -bit shift registers that shift right to left for  $A$ ,  $R$ , and  $Q$ . An  $n$ -bit register is needed for  $B$ , and a subtractor is needed to produce  $R - B$ . We can use an adder module in which the carry-in is set to 1 and  $B$  is complemented. The carry-out,  $c_{out}$ , of this module has the value 1 if the condition  $R \geq B$  is true. Hence the carry-out can be connected to the serial input of the shift register that holds  $Q$ , so that it is shifted into  $Q$  in state  $S3$ . Since  $R$  is loaded with 0 in state  $S1$  and from the outputs of the adder in state  $S3$ , a multiplexer is needed for the parallel data inputs on  $R$ . The datapath circuit is depicted in Figure 7.30.

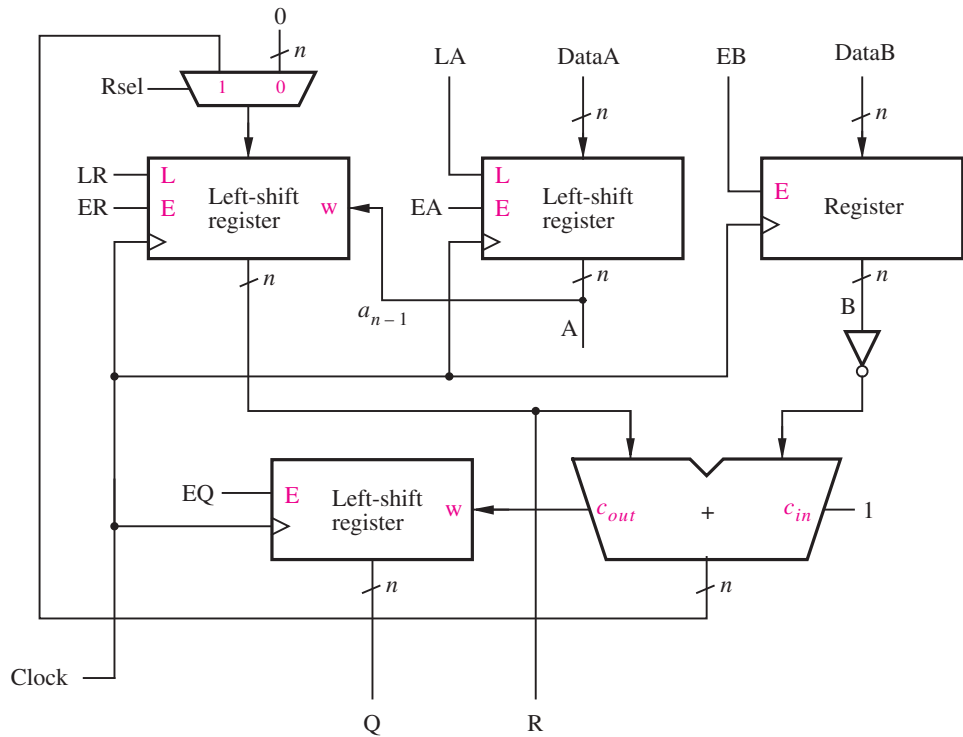


**Figure 7.29** ASM chart for the divider.

Note that the down-counter needed to implement  $C$  and the NOR gate that outputs a 1 when  $C = 0$  are not shown in the figure.

### Control Circuit

An ASM chart that shows only the control signals needed for the divider is given in Figure 7.31. In state  $S3$  the value of  $c_{out}$  determines whether or not the sum output of the adder is loaded into  $R$ . The shift enable on  $Q$  is asserted in state  $S3$ . We do not have to specify whether 1 or 0 is loaded into  $Q$ , because  $c_{out}$  is connected to  $Q$ 's serial input in



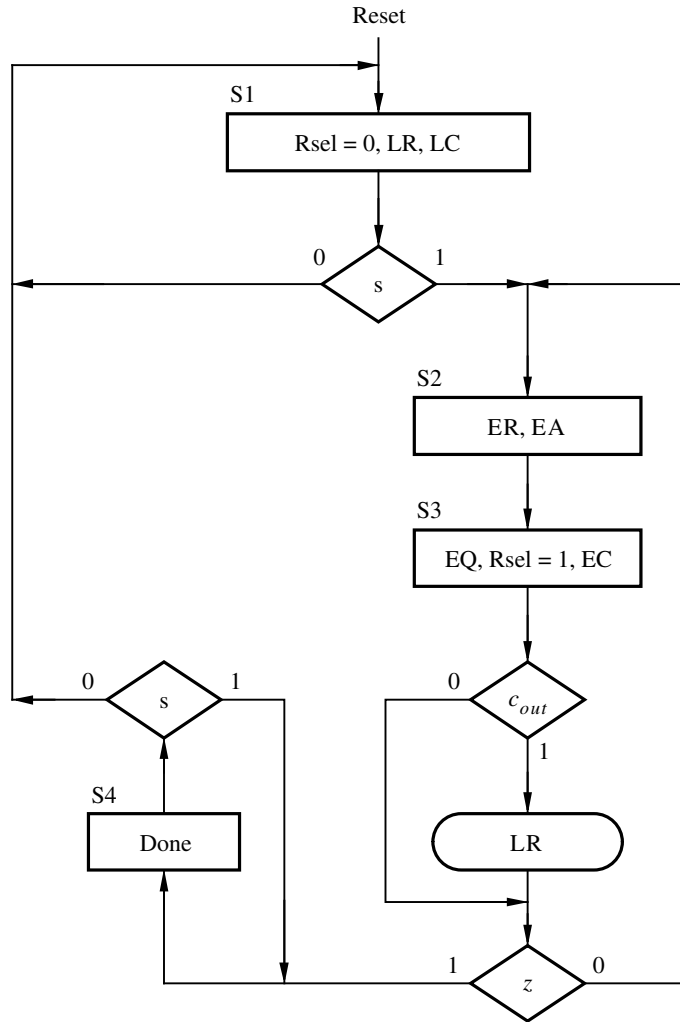
**Figure 7.30** Datapath circuit for the divider.

the datapath circuit. We leave it as an exercise for the reader to write Verilog code that represents the ASM chart in Figure 7.31 and the datapath circuit in Figure 7.30.

### Enhancements to the Divider Circuit

Using the ASM chart in Figure 7.31 causes the circuit to loop through states  $S2$  and  $S3$  for  $2n$  clock cycles. If these states can be merged into a single state, then the number of clock cycles needed can be reduced to  $n$ . In state  $S3$ , if  $c_{out} = 1$ , we load the sum output (result of the subtraction) from the adder into  $R$ , and (assuming  $z = 0$ ) change to state  $S2$ . In state  $S2$  we then shift  $R$  (and  $A$ ) to the left. To combine  $S2$  and  $S3$  into a new state, called  $S2$ , we need to be able to place the sum into the left-most bits of  $R$  while at the same time shifting the MSB of  $A$  into the LSB of  $R$ . This step can be accomplished by using a separate flip-flop for the LSB of  $R$ . Let the output of this flip-flop be called  $rr_0$ . It is initialized to 0 when  $s = 0$  in state  $S1$ . Otherwise, the flip-flop is loaded from the MSB of  $A$ . In state  $S2$ , if  $c_{out} = 0$ ,  $R$  is shifted left and  $rr_0$  is shifted into  $R$ . But if  $c_{out} = 1$ ,  $R$  is loaded in parallel from the sum outputs of the adder.

Figure 7.32 illustrates how the division example from Figure 7.28b can be performed using  $n$  clock cycles. The table in the figure shows the values of  $R$ ,  $rr_0$ ,  $A$ , and  $Q$  in each step



**Figure 7.31** ASM chart for the divider control circuit.

of the division. In the datapath circuit in Figure 7.30, we use a separate shift register for  $Q$ . This register is not actually needed, because the digits in the quotient can be shifted into the least-significant bit of the register used for  $A$ . In Figure 7.32 the digits of  $Q$  that are shifted into  $A$  are shown in blue. The first row in the table represents loading of initial data into registers  $A$  (and  $B$ ) and clearing  $R$  and  $rr_0$  to 0. In the second row of the table, labeled clock cycle 0, the diagonal blue arrow shows that the left-most bit of  $A$  (1) is shifted into  $rr_0$ . The number in  $R||rr_0$  is now 000000001, which is smaller than  $B$  (1001). In clock cycle 1,  $rr_0$  is shifted into  $R$ , and the MSB of  $A$  is shifted into  $rr_0$ . Also, as shown in blue, a 0 is shifted into

$$B \rightarrow 1001 \overline{) 10001100} \leftarrow A$$

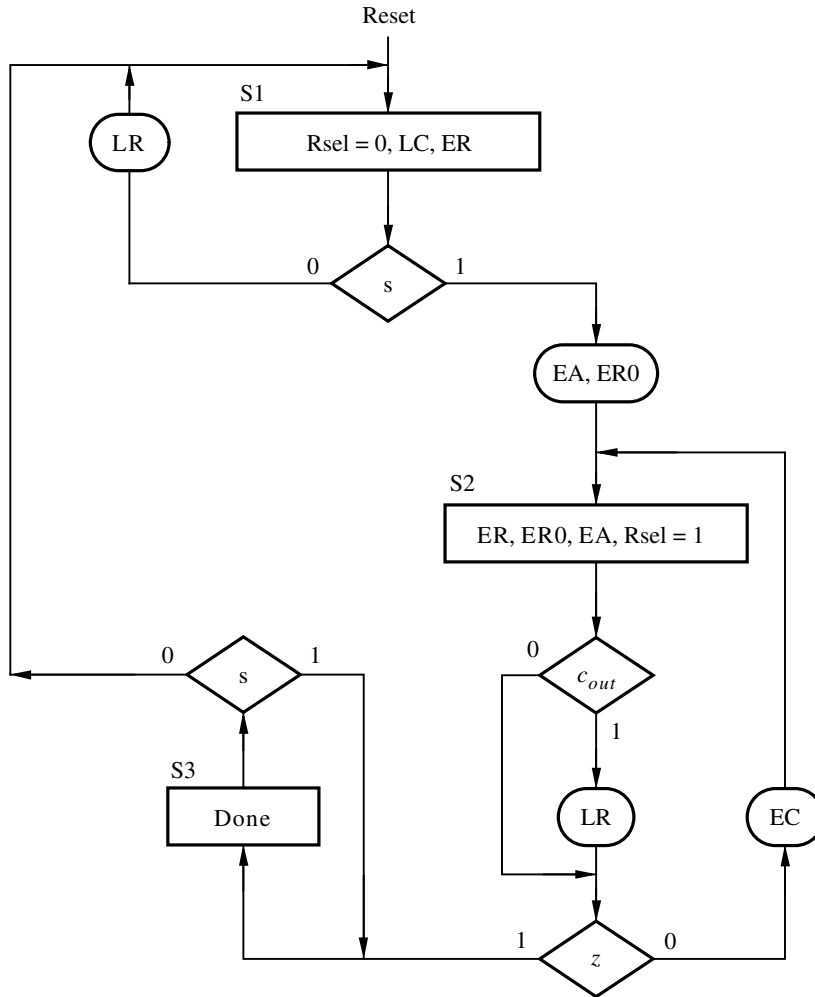
Clock cycle	R	$rr_0$	A/Q
Load A, B	0 0 0 0 0 0 0 0	0	1 0 0 0 1 1 0 0
0 Shift left	0 0 0 0 0 0 0 0	1	0 0 0 1 1 0 0 0
1 Shift left, $Q_0 \leftarrow 0$	0 0 0 0 0 0 0 1	0	0 0 1 1 0 0 0 0
2 Shift left, $Q_0 \leftarrow 0$	0 0 0 0 0 0 1 0	0	0 1 1 0 0 0 0 0
3 Shift left, $Q_0 \leftarrow 0$	0 0 0 0 0 1 0 0	0	1 1 0 0 0 0 0 0
4 Shift left, $Q_0 \leftarrow 0$	0 0 0 0 1 0 0 0	1	1 0 0 0 0 0 0 0
5 Subtract, $Q_0 \leftarrow 1$	0 0 0 0 1 0 0 0	1	0 0 0 0 0 0 0 1
6 Subtract, $Q_0 \leftarrow 1$	0 0 0 0 1 0 0 0	0	0 0 0 0 0 0 1 1
7 Subtract, $Q_0 \leftarrow 1$	0 0 0 0 0 1 1 1	0	0 0 0 0 0 1 1 1
8 Subtract, $Q_0 \leftarrow 1$	0 0 0 0 0 1 0 1	0	0 0 0 0 1 1 1 1

**Figure 7.32** An example of division using  $n = 8$  clock cycles.

the LSB of Q ( $A$ ). The number in  $R||rr_0$  is now 00000010, which is still smaller than  $B$ . Hence, in clock cycle 2 the same actions are performed as for clock cycle 1. These actions are also performed in clock cycles 3 and 4, at which point  $R||rr_0 = 000010001$ . Since this is larger than  $B$ , in clock cycle 5 the result of the subtraction  $000010001 - 1001 = 00001000$  is loaded into  $R$ . The MSB of  $A$  (1) is still shifted into  $rr_0$ , and a 1 is shifted into  $Q$ . In clock cycles 6, 7, and 8, the number in  $R||rr_0$  is larger than  $B$ ; hence in each of these cycles the result of the subtraction  $R||rr_0 - B$  is loaded into  $R$ , and a 1 is loaded into  $Q$ . After clock cycle 8 the correct result,  $Q = 00001111$  and  $R = 00000101$ , is obtained. The bit  $rr_0$  is not a part of the final result.

An ASM chart that shows the values of the required control signals for the enhanced divider is depicted in Figure 7.33. The signal  $ER_0$  is used in conjunction with the flip-flop that has the output  $rr_0$ . When  $ER_0 = 0$ , the value 0 is loaded into the flip-flop. When  $ER_0$  is set to 1, the MSB of shift register  $A$  is loaded into the flip-flop. In state  $S1$ , if  $s = 0$ , then  $LR$  is asserted to initialize  $R$  to 0. Registers  $A$  and  $B$  can be loaded with data from external inputs. When  $s$  changes to 1, the machine makes a transition to state  $S2$  and at the same time shifts  $R||R_0||A$  to the left. In state  $S2$ , if  $c_{out} = 1$ , then  $R$  is loaded in parallel from the sum outputs of the adder. At the same time,  $R_0||A$  is shifted left ( $rr_0$  is not shifted into  $R$  in this case). If  $c_{out} = 0$ , then  $R||R_0||A$  is shifted left. The ASM chart shows how the parallel-load and enable inputs on the registers have to be controlled to achieve the desired operation.

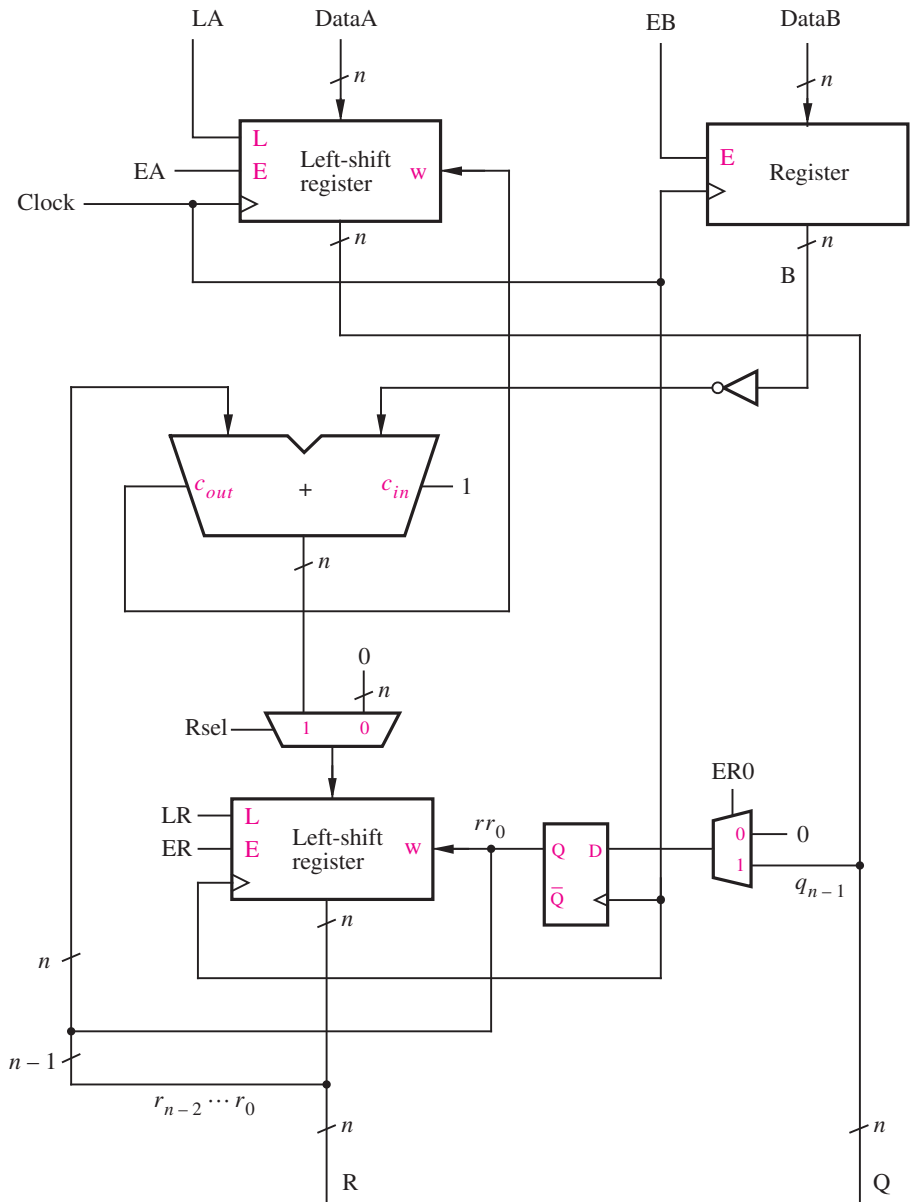
The datapath circuit for the enhanced divider is illustrated in Figure 7.34. As discussed for Figure 7.32, the digits of the quotient  $Q$  are shifted into register  $A$ . Note that one of the  $n$ -bit data inputs on the adder module is composed of the  $n - 1$  least-significant bits in register  $R$  concatenated with bit  $rr_0$  on the right.



**Figure 7.33** ASM chart for the enhanced divider control circuit.

### Verilog Code

Figure 7.35 shows Verilog code that represents the enhanced divider. The parameter  $n$  sets the number of bits in the operands. The *State\_table*, *State\_flipflops*, and *FSM\_outputs* **always** blocks describe the control circuit, as in the previous examples. The shift registers and counters in the datapath circuit are instantiated at the bottom of the code. The signal  $rr_0$  in Figure 7.32 is represented in the code by the signal R0. This signal is implemented as the output of the *muxdff* component; the code for this subcircuit is shown in Figure 5.47. Note that the adder that produces the *Sum* signal has one input defined as the concatenation of R with R0. The multiplexer needed for the input to R is represented by the *DataR* signal. This multiplexer is defined in the last statement of the code.



**Figure 7.34** Datapath circuit for the enhanced divider.

```

module divider (Clock, Resetn, s, LA, EB, DataA, DataB, R, Q, Done);
  parameter n = 8, logn = 3;
  input Clock, Resetn, s, LA, EB;
  input [n-1:0] DataA, DataB;
  output [n-1:0] R, Q;
  output reg Done;
  wire Cout, z, R0;
  wire [n-1:0] DataR;
  wire [n:0] Sum;
  reg [1:0] y, Y;
  wire [n-1:0] A, B;
  wire [logn-1:0] Count;
  reg EA, Rsel, LR, ER, ER0, LC, EC;
  integer k;

// control circuit

  parameter S1 = 2'b00, S2 = 2'b01, S3 = 2'b10;

  always @(s, y, z)
  begin: State_table
    case (y)
      S1: if (s == 0) Y = S1;
         else Y = S2;
      S2: if (z == 0) Y = S2;
         else Y = S3;
      S3: if (s == 1) Y = S3;
         else Y = S1;
      default: Y = 2'bxx;
    endcase
  end

  always @(posedge Clock, negedge Resetn)
  begin: State_flipflops
    if (Resetn == 0)
      y <= S1;
    else
      y <= Y;
    end

... continued in Part b.

```

**Figure 7.35** Verilog code for the divider circuit (Part a).



```

always @(y, s, Cout, z)
begin: FSM_outputs
    // defaults
    LR = 0; ER = 0; ER0 = 0; LC = 0; EC = 0; EA = 0;
    Rsel = 0; Done = 0;
    case (y)
        S1: begin
            LC = 1; ER = 1;
            if (s == 0)
                begin
                    LR = 1; ER0 = 0;
                end
            end
            else
                begin
                    LR = 0; EA = 1; ER0 = 1;
                end
            end
        S2: begin
            Rsel = 1; ER = 1; ER0 = 1; EA = 1;
            if (Cout) LR = 1;
            else LR = 0;
            if (z == 0) EC = 1;
            else EC = 0;
        end
        S3: Done = 1;
    endcase
end

```

... continued in Part c.

**Figure 7.35** Verilog code for the divider circuit (Part b).

A simulation result for the circuit produced from the code is given in Figure 7.36. The data  $A = A6$  and  $B = 8$  is loaded, and then  $s$  is set to 1. The circuit changes to state  $S2$  and concurrently shifts  $R$ ,  $R0$ , and  $A$  to the left. The output of the shift register that holds  $A$  is labeled  $Q$  in the simulation results because this shift register contains the quotient when the division operation is complete. On the first three active clock edges in state  $S2$ , the number represented by  $R||R0$  is less than the number in  $B$  (8); hence  $R||R0||A$  is shifted left on each clock edge, and 0 is shifted into  $Q$ . In the fourth consecutive clock cycle for which the FSM has been in state  $S2$ , the contents of  $R$  are  $00000101 = (5)_{10}$ , and  $R0$  is 0; hence  $R||R0 = 000001010 = (10)_{10}$ . On the next active clock edge, the output of the adder, which is  $10 - 8 = 2$ , is loaded into  $R$ , and 1 is shifted into  $Q$ . After  $n$  clock cycles in state  $S2$ , the circuit changes to state  $S3$ , and the correct result,  $Q = 14 = (20)_{10}$  and  $R = 6$ , is obtained.

```
//datapath circuit

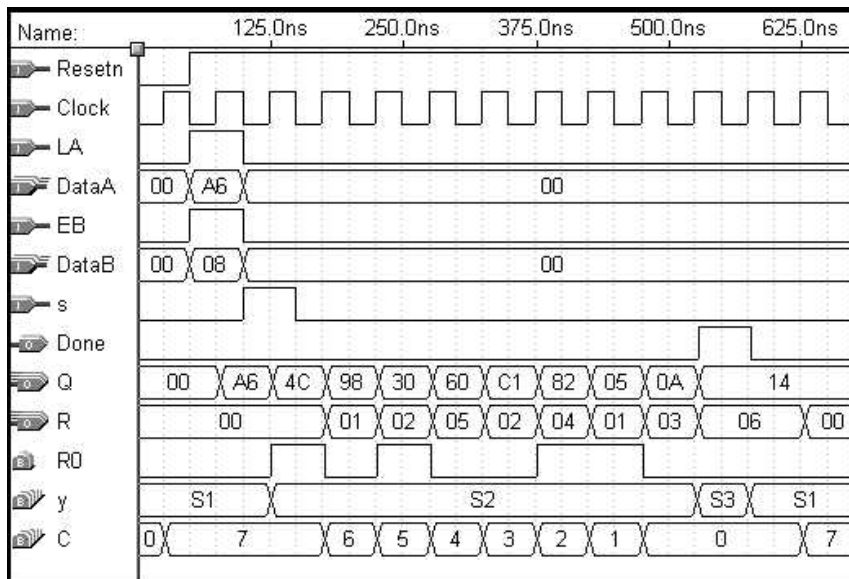
regne RegB (DataB, Clock, Resetn, EB, B);
  defparam RegB.n = n;
shiftlne ShiftR (DataR, LR, ER, R0, Clock, R);
  defparam ShiftR.n = n;
muxdff FF_R0 (1'b0, A[n-1], ER0, Clock, R0);
shiftlne ShiftA (DataA, LA, EA, Cout, Clock, A);
  defparam ShiftA.n = n;
assign Q = A;
downcount Counter (Clock, EC, LC, Count);
  defparam Counter.n = logn;

assign z = (Count == 0);
assign Sum = {1'b0, R[n-2:0], R0} + {1'b0, ~B} + 1;
assign Cout = Sum[n];

// define the n 2-to-1 multiplexers
assign DataR = Rsel ? Sum : 0;

endmodule
```

**Figure 7.35** Verilog code for the divider circuit (Part c).



**Figure 7.36** Simulation results for the divider circuit.

## 7.6 ARITHMETIC MEAN

Assume that  $k$   $n$ -bit numbers are stored in a set of registers  $R_0, \dots, R_{k-1}$ . We wish to design a circuit that computes the mean  $M$  of the numbers in the registers. The pseudo-code for a suitable algorithm is shown in Figure 7.37a. Each iteration of the loop adds the contents of one of the registers, denoted  $R_i$ , to a *Sum* variable. After the sum is computed,  $M$  is obtained as  $Sum/k$ . We assume that integer division is used, so a remainder  $R$ , not shown in the code, is produced as well.

An ASM chart is given in Figure 7.37b. While the start input,  $s$ , is 0, the registers can be loaded from external inputs. When  $s$  becomes 1, the machine changes to state  $S2$ , where it remains while  $C \neq 0$ , and computes the summation ( $C$  is a counter that represents  $i$  in Figure 7.37a). When  $C = 0$ , the machine changes to state  $S3$  and computes  $M = Sum/k$ . From the previous example, we know that the division operation requires multiple clock cycles, but we have chosen not to indicate this in the ASM chart. After computing the division operation, state  $S4$  is entered and *Done* is set to 1.

### Datapath Circuit

The datapath circuit for this task is more complex than in our previous examples. It is depicted in Figure 7.38. We need a register with an enable input to hold *Sum*. For simplicity, assume that the sum can be represented in  $n$  bits without overflowing. A multiplexer is required on the data inputs on the *Sum* register, to select 0 in state  $S1$  and the sum outputs of an adder in state  $S2$ . The *Sum* register provides one of the data inputs to the adder. The other input has to be selected from the data outputs of one of the  $k$  registers. One way to select among the registers is to connect them to the data inputs of a  $k$ -to-1 multiplexer that is connected to the adder. The select lines on the multiplexer can be controlled by the counter  $C$ . To compute the division operation, we can use the divider circuit designed in Section 7.5.

The circuit in Figure 7.38 is based on  $k = 4$ , but the same circuit structure can be used for larger values of  $k$ . Note that the enable inputs on the registers  $R_0$  through  $R_3$  are connected to the outputs of a 2-to-4 decoder that has the two-bit input *RAdd*, which stands for “register address.” The decoder enable input is driven by the *ER* signal. All registers are loaded from the same input lines, *Data*. Since  $k = 4$ , we could perform the division operation simply by shifting *Sum* two bits to the right, which can be done in one clock cycle with a shift register that shifts by two digits. To obtain a more general circuit that works for any value of  $k$ , we use the divider circuit designed in Section 7.5.

### Control Circuit

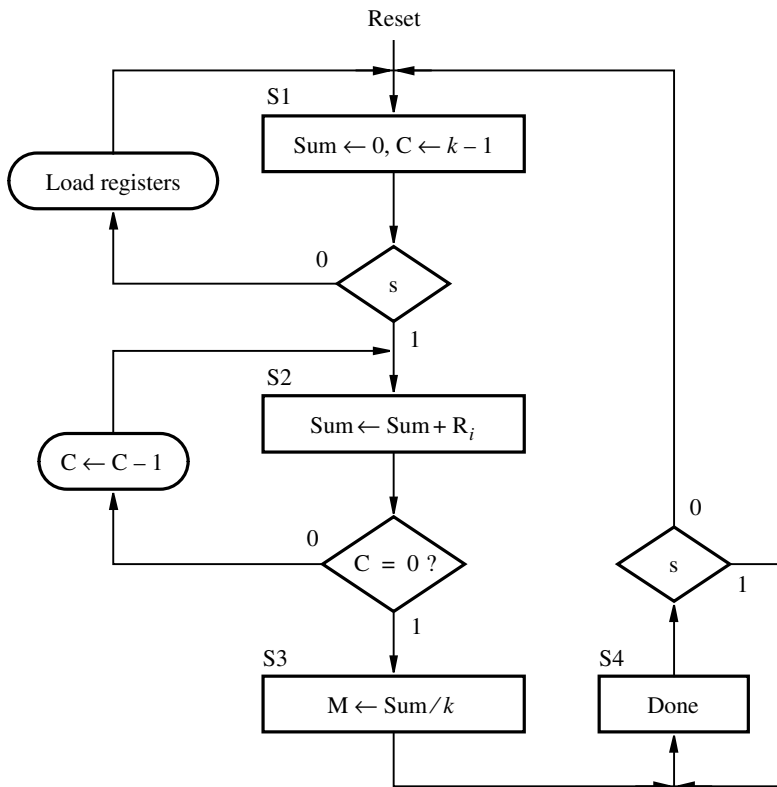
Figure 7.39 gives an ASM chart for the FSM needed to control the circuit in Figure 7.38. While in state  $S1$ , data can be loaded into registers  $R_0, \dots, R_{k-1}$ . But no control signals have to be asserted for this purpose, because the registers are loaded under control of the *ER* and *RAdd* inputs, as discussed above. When  $s = 1$ , the FSM changes to state  $S2$ , where it asserts the enable *ES* on the *Sum* register and allows  $C$  to decrement. When the counter reaches 0 ( $z = 1$ ), the machine enters state  $S3$ , where it asserts the *LA* and *EB* signals to

```

Sum = 0;
for i = k - 1 down to 0 do
    Sum = Sum + Ri
end for;
M = Sum ÷ k;

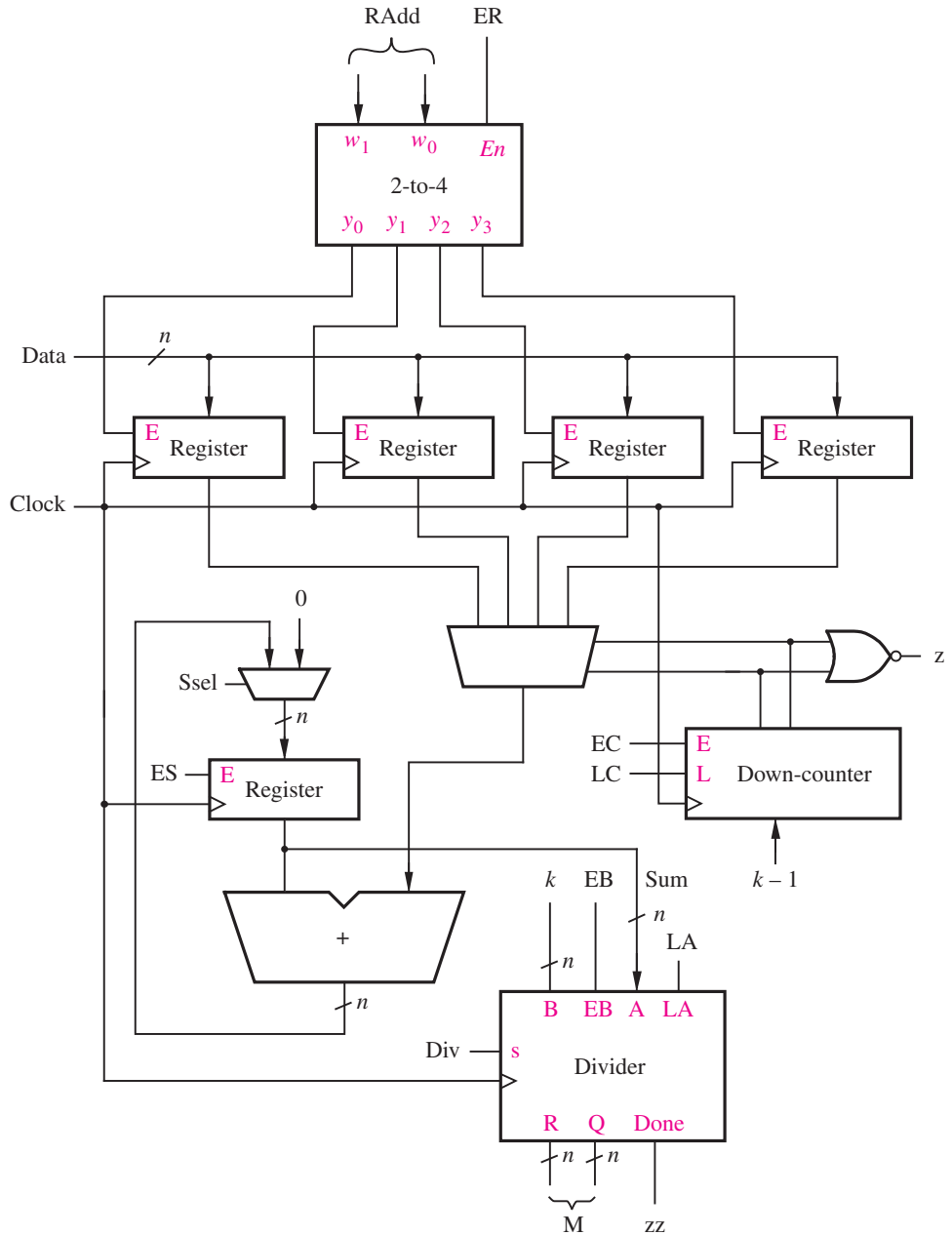
```

(a) Pseudo-code

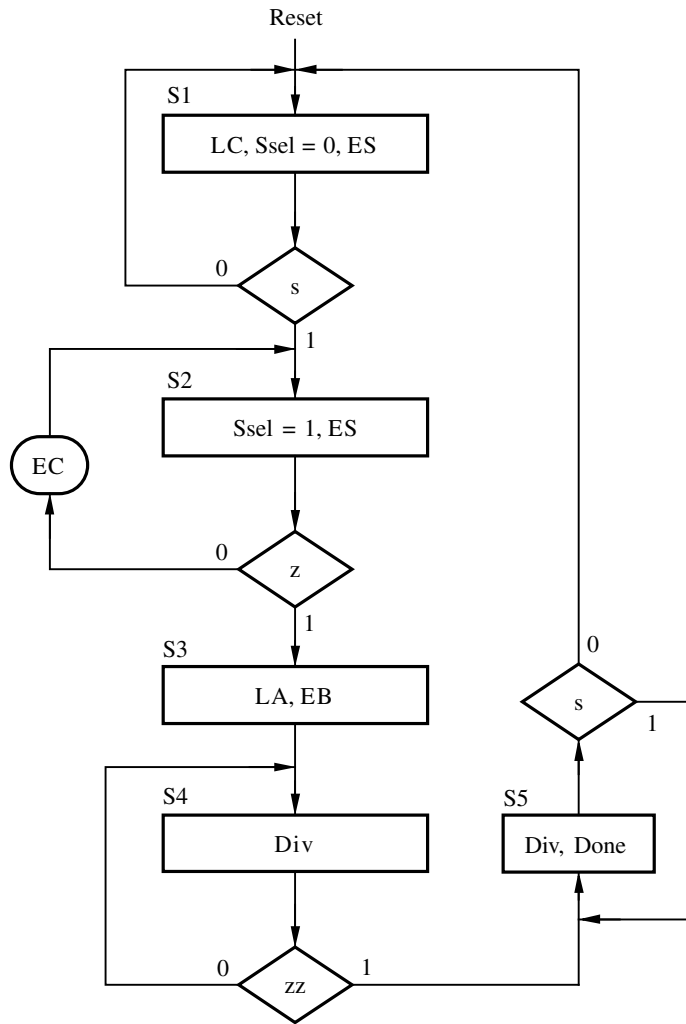


(b) ASM chart

**Figure 7.37** An algorithm for finding the mean of  $k$  numbers.



**Figure 7.38** Datapath circuit for the mean operation.



**Figure 7.39** ASM chart for the mean operation control circuit.

load the *Sum* and *k* into the *A* and *B* inputs of the divider circuit, respectively. The FSM then enters state *S4* and asserts the *Div* signal to start the division operation. When it is finished, the divider circuit sets *zz* = 1, and the FSM moves to state *S5*. The mean *M* appears on the *Q* and *R* outputs of the divider circuit. The *Div* signal must still be asserted in state *S5* to prevent the divider circuit from reinitializing its registers. Note that in the ASM chart in Figure 7.37*b*, only one state is shown for computing  $M = \text{Sum}/k$ , but in Figure 7.39, states *S3* and *S4* are used for this purpose. It is possible to combine states *S3* and *S4*, which we will leave as an exercise for the reader (Problem 7.10).

## 7.7 SORT OPERATION

Given a list of  $k$  unsigned  $n$ -bit numbers stored in a set of registers  $R_0, \dots, R_{k-1}$ , we wish to design a circuit that can sort the list (contents of the registers) in ascending order. Pseudo-code for a simple sorting algorithm is shown in Figure 7.40. It is based on finding the smallest number in the sublist  $R_i, \dots, R_{k-1}$  and moving that number into  $R_i$ , for  $i = 1, 2, \dots, k - 2$ . Each iteration of the outer loop places the number in  $R_i$  into  $A$ . Each iteration of the inner loop compares this number to the contents of another register  $R_j$ . If the number in  $R_j$  is smaller than  $A$ , the contents of  $R_i$  and  $R_j$  are swapped and  $A$  is changed to hold the new contents of  $R_i$ .

An ASM chart that represents the sorting algorithm is shown in Figure 7.41. In the initial state  $S1$ , while  $s = 0$  the registers are loaded from external data inputs and a counter  $C_i$  that represents  $i$  in the outer loop is cleared. When the machine changes to state  $S2$ ,  $A$  is loaded with the contents of  $R_i$ . Also,  $C_j$ , which represents  $j$  in the inner loop, is initialized to the value of  $i$ . State  $S3$  is used to initialize  $j$  to the value  $i + 1$ , and state  $S4$  loads the value of  $R_j$  into  $B$ . In state  $S5$ ,  $A$  and  $B$  are compared, and if  $B < A$ , the machine moves to state  $S6$ . States  $S6$  and  $S7$  swap the values of  $R_i$  and  $R_j$ . State  $S8$  loads  $A$  from  $R_i$ . Although this step is necessary only for the case where  $B < A$ , the flow of control is simpler if this operation is performed in both cases. If  $C_j$  is not equal to  $k - 1$ , the machine changes from  $S8$  to  $S4$ , thus remaining in the inner loop. If  $C_j = k - 1$  and  $C_i$  is not equal to  $k - 2$ , then the machine stays in the outer loop by changing to state  $S2$ .

### Datapath Circuit

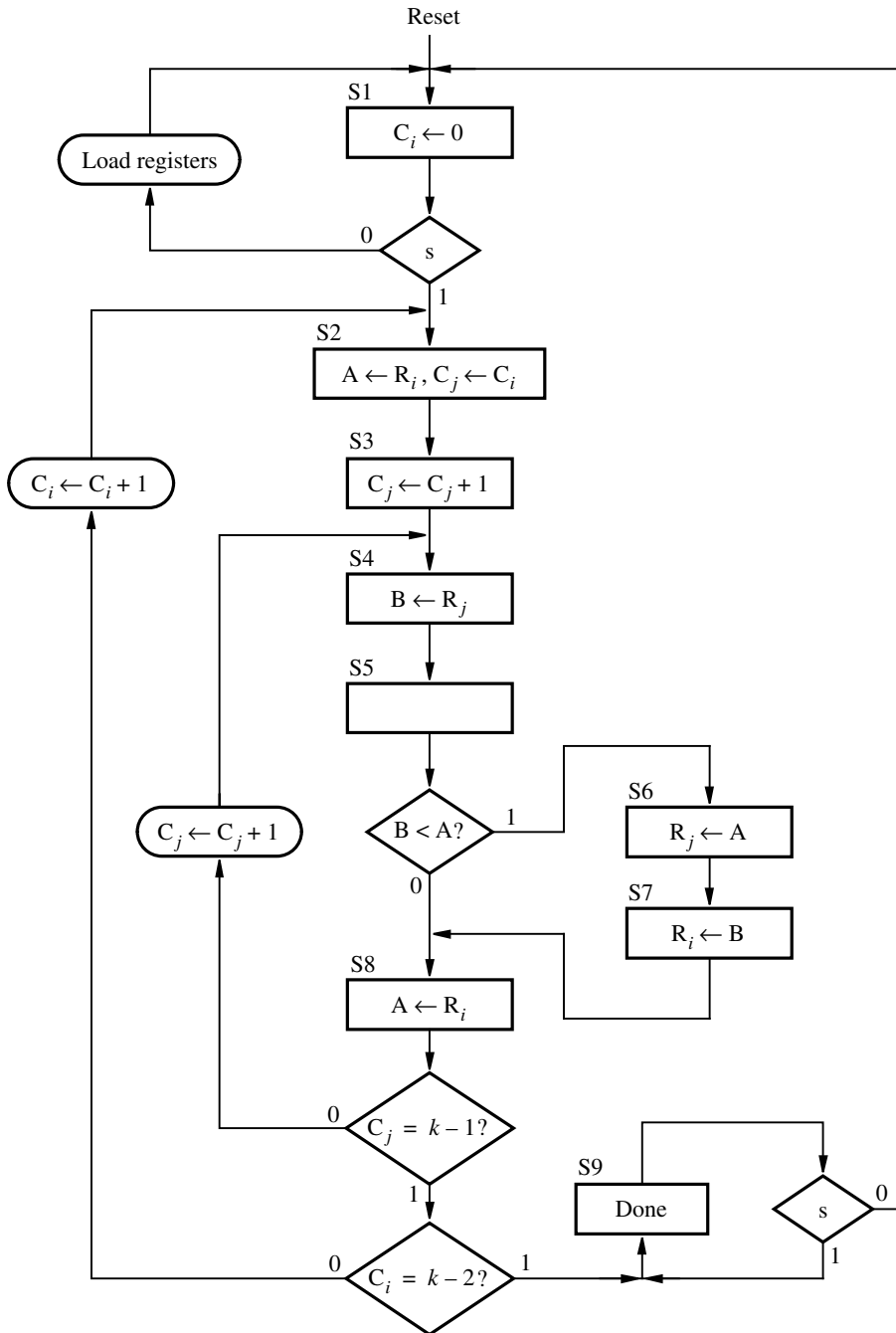
There are many ways to implement a datapath circuit that meets the requirements of the ASM chart in Figure 7.41. One possibility is illustrated in Figures 7.42 and 7.43. Figure 7.42 shows how the registers  $R_0, \dots, R_{k-1}$  can be connected to registers  $A$  and  $B$  using 4-to-1 multiplexers. We assume the value  $k = 4$  for simplicity. Registers  $A$  and  $B$  are connected to a comparator subcircuit and, through multiplexers, back to the inputs of the

```

for  $i = 0$  to  $k - 2$  do
   $A = R_i$ ;
  for  $j = i + 1$  to  $k - 1$  do
     $B = R_j$ ;
    if  $B < A$  then
       $R_i = B$ ;
       $R_j = A$ ;
       $A = R_i$ ;
    end if;
  end for;
end for;

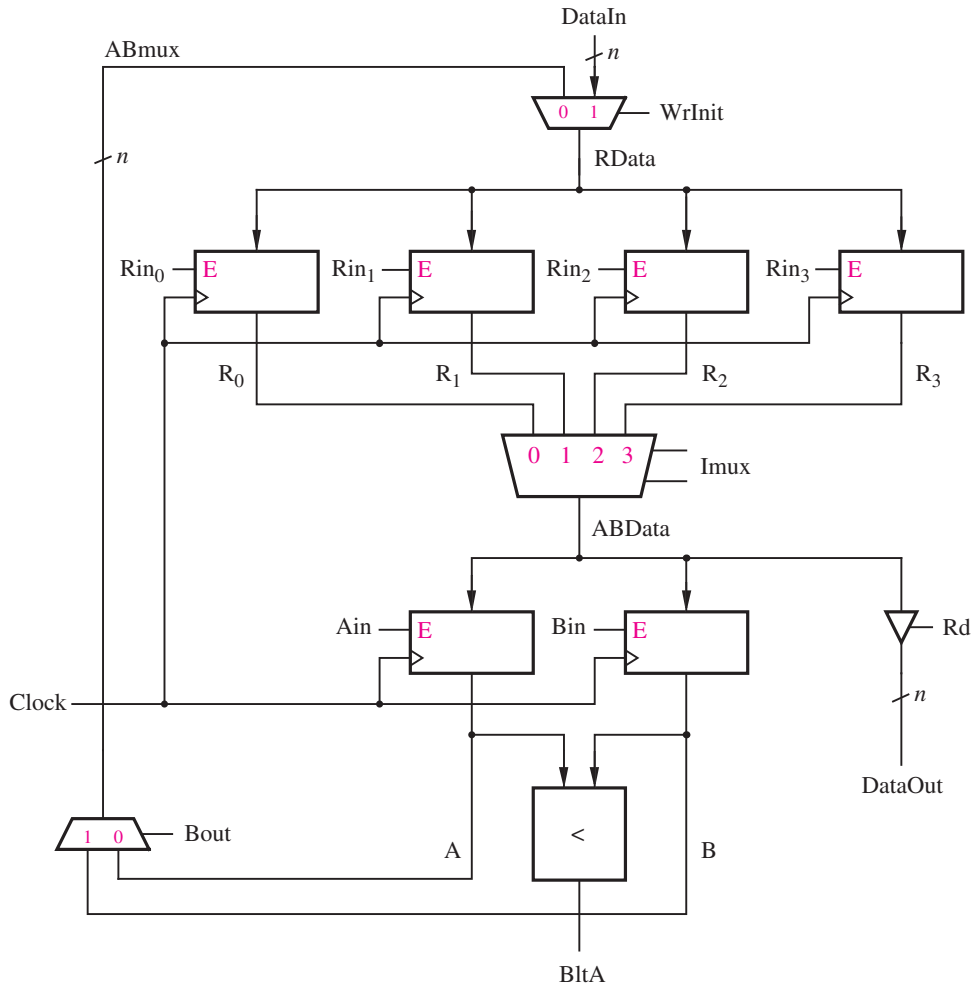
```

**Figure 7.40** Pseudo-code for the sort operation.



**Figure 7.41** ASM chart for the sort operation.

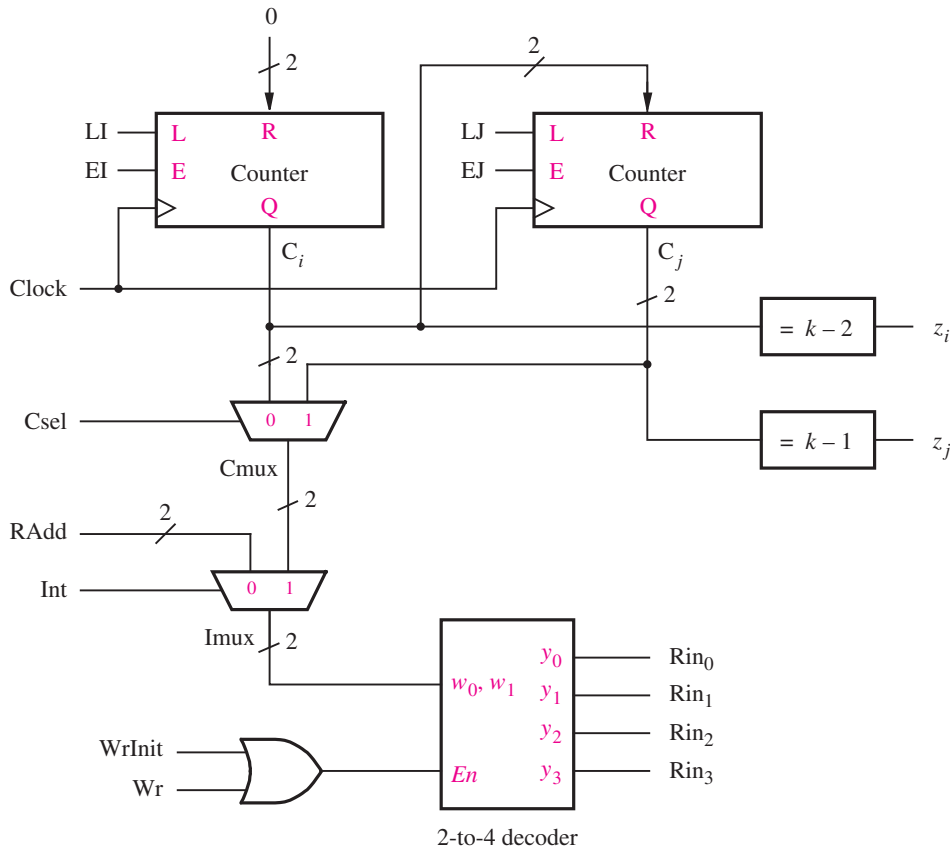




**Figure 7.42** A part of the datapath circuit for the sort operation.

registers  $R_0, \dots, R_{k-1}$ . The registers can be loaded with initial (unsorted) data using the *DataIn* lines. The data is written (loaded) into each register by asserting the *WrInit* control signal and placing the address of the register on the *RAdd* input. The tri-state driver driven by the *Rd* control signal is used to output the contents of the registers on the *DataOut* output.

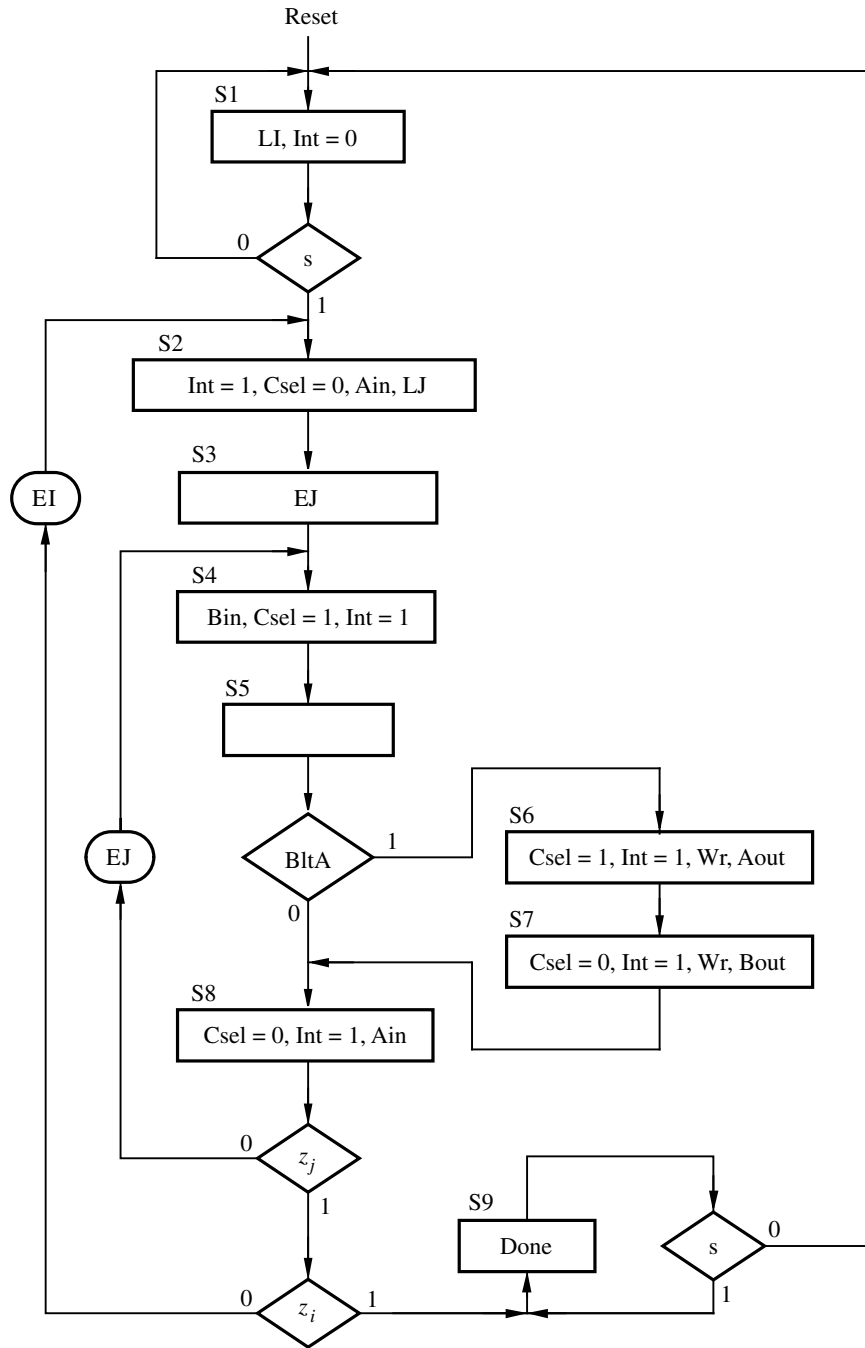
The signals  $Rin_0, \dots, Rin_{k-1}$  are controlled by the 2-to-4 decoder shown in Figure 7.43. If  $Int = 1$ , the decoder is driven by one of the counters  $C_i$  or  $C_j$ . If  $Int = 0$ , then the decoder is driven by the external input *RAdd*. The signals  $z_i$  and  $z_j$  are set to 1 if  $C_i = k - 2$  and  $C_j = k - 1$ , respectively. An ASM chart that shows the control signals used in the datapath circuit is given in Figure 7.44.



**Figure 7.43** A part of the datapath circuit for the sort operation.

### Verilog Code

Verilog code for the sorting operation is presented in Figure 7.45. The FSM that controls the sort operation is described in the same way as in previous examples, using the **always** blocks *State\_table*, *State\_flipflops*, and *FSM\_outputs*. Following these blocks, the code instantiates the registers  $R_0$  to  $R_3$ , as well as  $A$  and  $B$ . The counters  $C_i$  and  $C_j$  have the instance names *OuterLoop* and *InnerLoop*, respectively. The multiplexers with the outputs  $CMux$  and  $IMux$  are specified using the conditional operator. The 4-to-1 multiplexer in Figure 7.42 is defined by the **case** statement that specifies the value of the  $ABData$  signal for each value of  $IMux$ . The 2-to-4 decoder in Figure 7.43 with the outputs  $Rin_0, \dots, Rin_3$  is defined by the **case** statement that sets the value of the concatenated signals  $\{Rin_3, Rin_2, Rin_1, Rin_0\}$ . Finally, the code specifies the values of the  $z_i$  and  $z_j$  signals, and defines the tri-state drivers for the *DataOut* output.



**Figure 7.44** ASM chart for the control circuit.

```

module sort (Clock, Resetn, s, WrInit, Rd, DataIn, RAdd, DataOut, Done);
  parameter n = 4;
  input Clock, Resetn, s, WrInit, Rd;
  input [n-1:0] DataIn;
  input [1:0] RAdd;
  output [n-1:0] DataOut;
  output reg Done;
  wire [1:0] Ci, Cj, CMux, IMux;
  wire [n-1:0] R0, R1, R2, R3, A, B, RData, ABMux;
  wire BltA, zi, zj;
  reg Int, Csel, Wr, Ain, Bin, Bout;
  reg LI, LJ, EI, EJ, Rin0, Rin1, Rin2, Rin3;
  reg [3:0] y, Y;
  reg [n-1:0] ABData;

// control circuit
parameter S1 = 4'b0000, S2 = 4'b0001, S3 = 4'b0010, S4 = 4'b0011;
parameter S5 = 4'b0100, S6 = 4'b0101, S7 = 4'b0110, S8 = 4'b0111, S9 = 4'b1000;

always @(s, BltA, zj, zi, y)
begin: State_table
  case (y)
    S1: if (s == 0) Y = S1;
        else Y = S2;
    S2: Y = S3;
    S3: Y = S4;
    S4: Y = S5;
    S5: if (BltA) Y = S6;
        else Y = S8;
    S6: Y = S7;
    S7: Y = S8;
    S8: if (!zj) Y = S4;
        else if (!zi) Y = S2;
        else Y = S9;
    S9: if (s) Y = S9;
        else Y = S1;
    default: Y = 4'bx;
  endcase
end

... continued in Part b.

```

**Figure 7.45** Verilog code for the sorting circuit (Part a).

```

always @(posedge Clock, negedge Resetn)
begin: State_flipflops
    (Resetn == 0)
    y <= S1;
    else
    y <= Y;
end

always @(y, zj, zi)
begin: FSM_outputs
    // defaults
    Int = 1; Done = 0; LI = 0; LJ = 0; EI = 0; EJ = 0; Csel = 0;
    Wr = 0; Ain = 0; Bin = 0; Bout = 0;
    case (y)
    S1: begin LI = 1; Int = 0; end
    S2: begin Ain = 1; LJ = 1; end
    S3: EJ = 1;
    S4: begin Bin = 1; Csel = 1; end
    S5:; // no outputs asserted in this state
    S6: begin Csel = 1; Wr = 1; end
    S7: begin Wr = 1; Bout = 1; end
    S8: begin
        Ain = 1;
        if (!zj) EJ = 1;
        else
        begin
            EJ = 0;
            if (!zi) EI = 1;
            else EI = 0;
        end
    end
    S9: Done = 1;
    endcase
end

```

... continued in Part *c*.

**Figure 7.45** Verilog code for the sorting circuit (Part *b*).

We implemented the code in Figure 7.45 in an FPGA chip. Figure 7.46 gives an example of a simulation result. Part (a) of the figure shows the first half of the simulation, from 0 to 1.25  $\mu\text{s}$ , and part (b) shows the second half, from 1.25  $\mu\text{s}$  to 2.5  $\mu\text{s}$ . After resetting the circuit, *WrInit* is set to 1 for four clock cycles, and unsorted data is written into the four registers using the *DataIn* and *RAdd* inputs. After *s* is changed to 1, the FSM changes to state *S2*. States *S2* to *S4* load *A* with the contents of *R<sub>0</sub>* (3) and *B* with the contents of

```

//datapath circuit

regne Reg0 (RData, Clock, Resetn, Rin0, R0);
  defparam Reg0.n = n;
regne Reg1 (RData, Clock, Resetn, Rin1, R1);
  defparam Reg1.n = n;
regne Reg2 (RData, Clock, Resetn, Rin2, R2);
  defparam Reg2.n = n;
regne Reg3 (RData, Clock, Resetn, Rin3, R3);
  defparam Reg3.n = n;

regne RegA (ABData, Clock, Resetn, Ain, A);
  defparam RegA.n = n;
regne RegB (ABData, Clock, Resetn, Bin, B);
  defparam RegB.n = n;

assign BltA = (B < A) ? 1 : 0;
assign ABMux = (Bout == 0) ? A : B;
assign RData = (WrInIt == 0) ? ABMux : DataIn;

upcount OuterLoop (2'b00, Resetn, Clock, EI, LI, Ci);
upcount InnerLoop (Ci, Resetn, Clock, EJ, LJ, Cj);

assign CMux = (Csel == 0) ? Ci : Cj;
assign IMux = (Int == 1) ? CMux : RAdd;

... continued in Part d.

```

**Figure 7.45** Verilog code for the sorting circuit (Part c).

$R_1$  (2). State  $S5$  compares  $B$  with  $A$ , and since  $B < A$ , the FSM uses states  $S6$  and  $S7$  to swap the contents of registers  $R_0$  and  $R_1$ . In state  $S8$ ,  $A$  is reloaded from  $R_0$ , which now contains 2. Since  $z_j$  is not asserted, the FSM increments the counter  $C_j$  and changes back to state  $S4$ . Register  $B$  is now loaded with the contents of  $R_2$  (4), and the FSM changes to state  $S5$ . Since  $B = 4$  is not less than  $A = 2$ , the machine changes to  $S8$  and then back to  $S4$ . Register  $B$  is now loaded with the contents of  $R_3$  (1), which is then compared against  $A = 2$  in state  $S5$ . The contents of  $R_0$  and  $R_3$  are swapped, and the machine changes to  $S8$ . At this point, the register contents are  $R_0 = 1$ ,  $R_1 = 3$ ,  $R_2 = 4$ , and  $R_3 = 2$ . Since  $z_j = 1$  and  $z_i = 0$ , the FSM performs the next iteration of the outer loop by changing to state  $S2$ . Jumping forward in the simulation time, in Figure 7.46b the circuit reaches the state in which  $C_i = 2$ ,  $C_j = 3$ , and the FSM is in state  $S8$ . The FSM then changes to state  $S9$  and sets *Done* to the value 1. The correctly sorted data is read out of the registers by setting the signal  $Rd = 1$  and using the *RAdd* inputs to select each of the registers.

```

always @(WrInit, Wr, IMux, R0, R1, R2, R3)
begin
  case (IMux)
    0: ABData = R0;
    1: ABData = R1;
    2: ABData = R2;
    3: ABData = R3;
  endcase

  if (WrInit || Wr)
    case (IMux)
      0: {Rin3, Rin2, Rin1, Rin0} = 4'b0001;
      1: {Rin3, Rin2, Rin1, Rin0} = 4'b0010;
      2: {Rin3, Rin2, Rin1, Rin0} = 4'b0100;
      3: {Rin3, Rin2, Rin1, Rin0} = 4'b1000;
    endcase
    else {Rin3, Rin2, Rin1, Rin0} = 4'b0000;
  end

  assign zi = (Ci == 2);
  assign zj = (Cj == 3);
  assign DataOut = (Rd == 0) ? 'bz : ABData;

endmodule

```

**Figure 7.45** Verilog code for the sorting circuit (Part *d*).

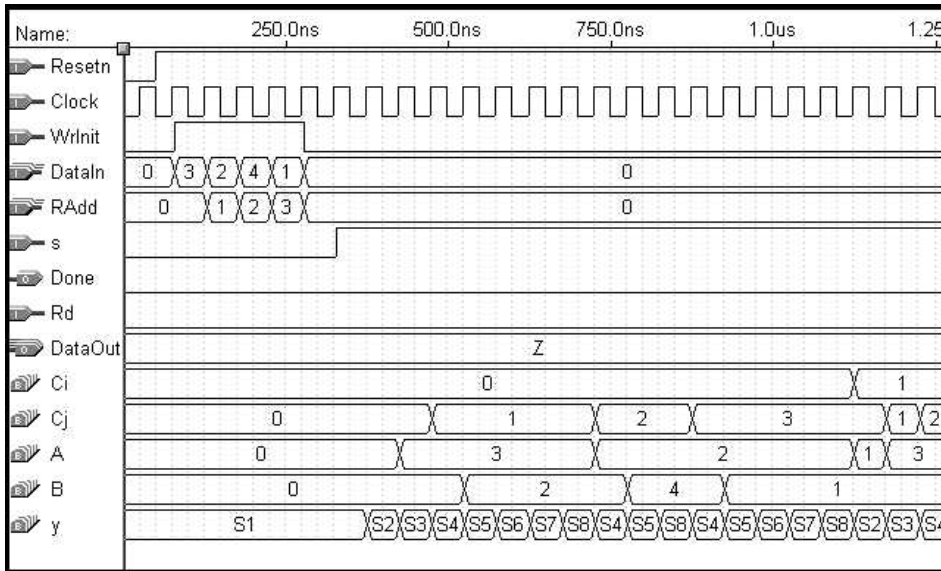
---

## 7.8 CLOCK SYNCHRONIZATION AND TIMING ISSUES

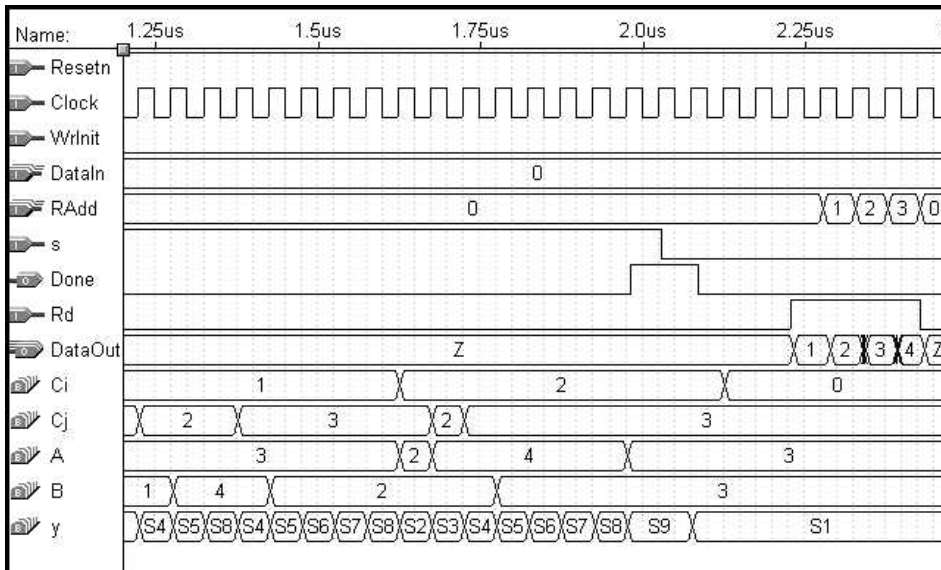
In previous sections we presented several examples of logic circuits that illustrate how a designer may approach the task of designing larger systems. In this section we will examine some timing aspects of such systems.

### 7.8.1 CLOCK DISTRIBUTION

In Chapter 5 we discussed the need to deal with the clock skew problem. For proper operation of synchronous sequential circuits, it is essential to minimize the clock skew as much as possible. Chips that contain many flip-flops, such as PLDs, use carefully designed networks of wires to distribute the clock signal to the flip-flops. Figure 7.47 gives an example of a clock-distribution network. Each node labeled *ff* represents the clock input



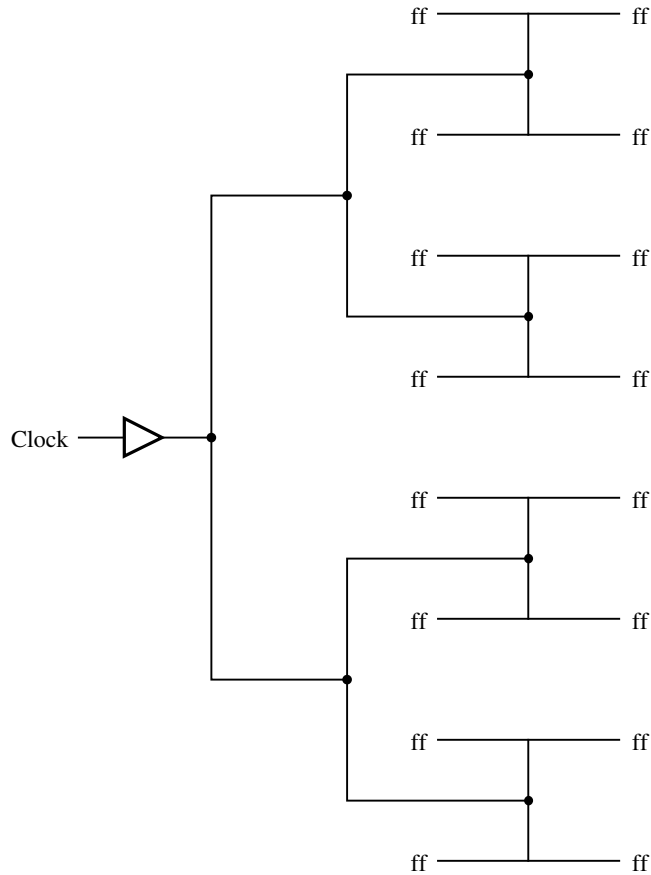
(a) Loading the registers and starting the sort operation



(b) Completing the sort operation and reading the registers

**Figure 7.46** Simulation results for the sort operation.





**Figure 7.47** An H tree clock distribution network.

of a flip-flop; for clarity, the flip-flops are not shown. The buffer on the left of the figure produces the clock signal. This signal is distributed to the flip-flops such that the length of the wire between each flip-flop and the clock source is the same. Due to the appearance of sections of the wires, which resemble the letter H, the clock distribution network is known as an *H tree*. In PLDs the term *global clock* refers to the clock network. A PLD chip usually provides one or more global clocks that can be connected to all flip-flops. When designing a circuit to be implemented in such a chip, a good design practice is to connect all the flip-flops in the circuit to a single global clock.

It is useful to be able to ensure that a sequential circuit is reset into a known state when power is first applied to the circuit. A good design practice is to connect the asynchronous reset (clear) inputs of all flip-flops to a wiring network that provides a low-skew reset signal. PLDs usually provide a *global reset* wiring network for this purpose.

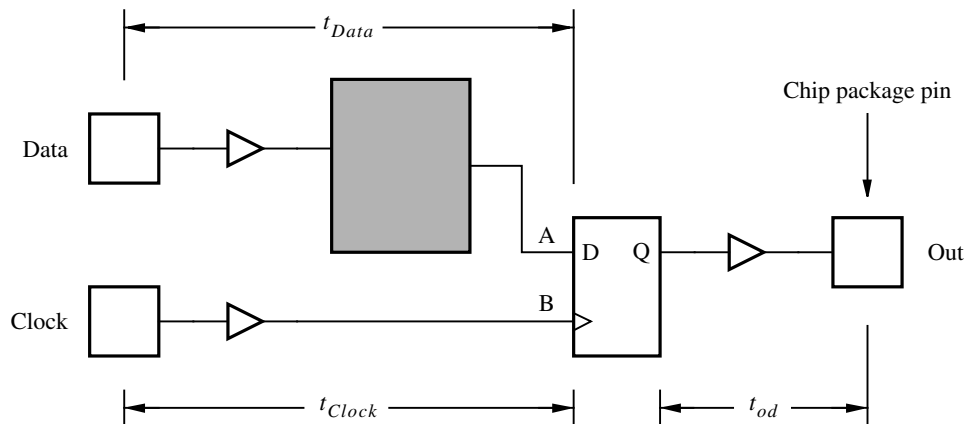
## 7.8.2 FLIP-FLOP TIMING PARAMETERS

We discussed the timing parameters for storage elements in Chapter 5. Data to be clocked into a flip-flop must be stable  $t_{su}$  before the active clock edge and must remain stable  $t_h$  after the clock edge. A change in the value of the output Q appears after the *clock-to-Q delay*,  $t_{cQ}$ . An *output delay time*,  $t_{od}$ , is required for the change in Q to propagate to an output pin on the chip. These timing parameters account for the behavior of an individual flip-flop without considering how the flip-flop is connected to other circuitry in an integrated circuit chip.

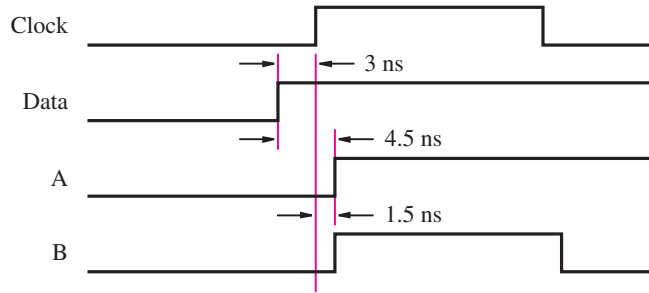
Figure 7.48 depicts a flip-flop as part of an integrated circuit. Connections are shown from the flip-flop's clock, D, and Q terminals to pins on the chip package. There is an input buffer associated with each pin on the chip. Other circuitry may also be connected to the flip-flop; the shaded box represents a combinational circuit connected to D. The propagation delays between the pins on the chip package and the flip-flop are labeled in the figure as  $t_{Data}$ ,  $t_{Clock}$ , and  $t_{od}$ .

In digital systems the output signals from one chip are used as the input signals to another chip. Often the flip-flops in all chips are driven by a common clock that has low skew. The signals must propagate from the Q outputs of flip-flops in one chip to the D inputs of flip-flops in another chip. To ensure that all timing specifications are met, it is necessary to consider the output delays in one chip and the input delays in another.

The  $t_{co}$  delay determines how long it takes from when an active clock edge occurs at the clock pin on the chip package until a change in the output of a flip-flop appears at an output pin on the chip. This delay consists of three main parts. The clock signal must first propagate from its input pin on the chip to the flip-flop's *Clock* input. This delay is labeled  $t_{Clock}$  in Figure 7.48. After the clock-to-Q delay  $t_{cQ}$ , the flip-flop produces a new output, which takes  $t_{od}$  to propagate to the output pin. An example of timing parameters taken from a commercial CPLD chip is  $t_{Clock} = 1.5$  ns,  $t_{cQ} = 1$  ns, and  $t_{od} = 2$  ns. These parameters give the delay from the active clock edge to the change on the output pin as  $t_{co} = 4.5$  ns.



**Figure 7.48** A flip-flop in an integrated circuit chip.



**Figure 7.49** Flip-flop timing in a chip.

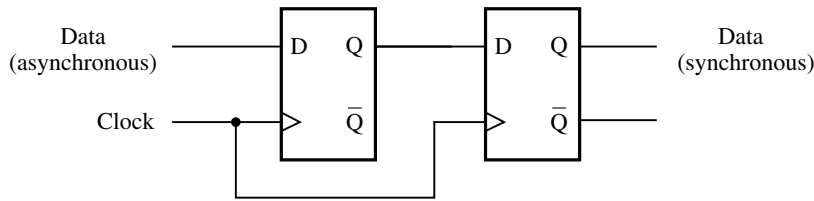
If chips are separated by a large distance, the propagation delays between them must be taken into consideration. But in most cases the distance between chips is small, and the propagation time of signals between the chips is negligible. Once a signal reaches the input pin on a chip, the relative values of  $t_{Data}$  and  $t_{Clock}$  (see Figure 7.48) must be considered. For example, in Figure 7.49 we assume that  $t_{Data} = 4.5$  ns and  $t_{Clock} = 1.5$  ns. The setup time for the flip-flops in the chip is specified as  $t_{su} = 3$  ns. In the figure the *Data* signal changes from low to high 3 ns before the positive clock edge, which should meet the setup requirements. The *Data* signal takes 4.5 ns to reach the flip-flop, whereas the *Clock* signal takes only 1.5 ns. The signal labeled *A* and the clock signal labeled *B* reach the flip-flop at the same time. The setup time requirement is violated, and the flip-flop may become unstable. To avoid this condition, it is necessary to increase the setup time as seen from outside the chip.

The hold time for flip-flops is also affected by chip-level delays. The result is usually a reduction in the hold time, rather than an increase. For example, with the timing parameters in Figure 7.49 assume that the hold time is  $t_h = 2$  ns. Assume that the signal at the *Data* pin on the chip changes value at exactly the same time that an active edge occurs at the *Clock* pin. The change in the *Clock* signal will reach node *B*  $4.5 - 1.5 = 3$  ns before the change in *Data* reaches node *A*. Hence even though the external change in *Data* is coincident with the clock edge, the required hold time of 2 ns is not violated.

For large circuits, ensuring that flip-flop timing parameters are properly adhered to is a challenge. Both the timing parameters of the flip-flops themselves and the relative delays incurred by the clock and data signals must be considered. CAD systems provide tools that can check the setup and hold times at all flip-flops automatically. This task is done using timing simulation, as well as special-purpose timing-analysis tools.

### 7.8.3 ASYNCHRONOUS INPUTS TO FLIP-FLOPS

In our examples of synchronous sequential circuits, we have assumed that changes in all input signals occur shortly after an active clock edge. The rationale for this assumption is that the inputs to one circuit are produced as the outputs of another circuit, and the same clock signal is used for both circuits. In practice, some of the inputs to a circuit may be



**Figure 7.50** Asynchronous inputs.

generated asynchronously with respect to the clock signal. If these signals are connected to the  $D$  input of a flip-flop, then the setup or hold times may be violated.

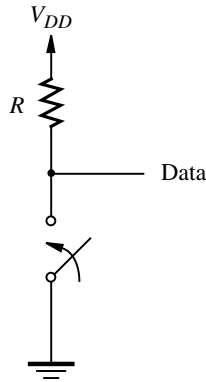
When a flip-flop's setup or hold times are violated, the flip-flop's output may assume a voltage level that does not correspond to either logic value 0 or 1. We say that the flip-flop is in a *metastable* state. The flip-flop eventually settles in one of the stable states, 0 or 1, but the time required to recover from the metastable state is not predictable. A common approach for dealing with asynchronous inputs is illustrated in Figure 7.50. The asynchronous data input is connected to a two-bit shift register. The output of the first flip-flop, labeled  $A$  in the figure, will sometimes become metastable. But if the clock period is sufficiently long, then  $A$  will recover to a stable logic value before the next clock pulse occurs. Hence the output of the second flip-flop will not become metastable and can safely be connected to other parts of the circuit. The synchronization circuit introduces a delay of one clock cycle before the signal can be used by the rest of the circuit.

Commercial chips, such as PLDs, specify the minimum allowable clock period that has to be used for the circuit in Figure 7.50 to solve the metastability problem. In practice, it is not possible to *guarantee* that node  $A$  will always be stable before a clock edge occurs. The data sheets specify a probability of node  $A$  being stable, as a function of the clock period. We will not pursue this issue further; the interested reader can refer to references [10, 11] for a more detailed discussion.

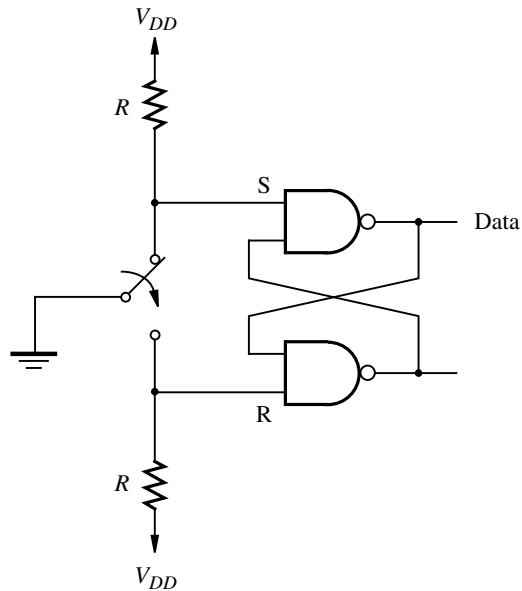
### 7.8.4 SWITCH DEBOUNCING

Inputs to a logic circuit are sometimes generated by mechanical switches. A problem with such switches is that they bounce away from their contact points when changed from one position to the other. Figure 7.51a shows a single-pole single-throw switch that provides an input to a logic circuit. If the switch is open, then the *Data* signal has the value 1. When the switch is thrown to the closed position, *Data* becomes 0, but the switch bounces for some time, causing *Data* to oscillate between 1 and 0. The bouncing typically persists for about 10 ms.

One approach to deal with this problem is to add a capacitor,  $C$ , between the *Data* node and ground. When the switch is open,  $C$  is charged to the voltage  $V_{DD}$ . When the switch is thrown to the closed position,  $C$  is quickly discharged to 0 V (ground) through the switch which has a resistance close to zero ohm. Now, when the switch contact bounces away from its closed position,  $C$  will start to charge toward  $V_{DD}$  again. But, this charging will be



(a) Single-pole single-throw switch



(b) Single-pole double-throw switch with a basic SR latch

**Figure 7.51** Switch debouncing circuit.

slower due to the resistor  $R$ . By choosing the right sizes of  $R$  and  $C$ , it is possible to prevent the *Data* node from significantly changing its voltage during bouncing.

Another possible solution is to use a circuit, such as a counter, to measure an appropriately long delay to wait for the bouncing to stop (see Problem 7.20).

A good approach for dealing with switch bouncing is depicted in Figure 7.51b. It uses a single-pole double-throw switch and a basic SR latch to generate an input to a logic circuit.

When the switch is in the bottom position, the  $R$  input on the latch is 0 and  $Data = 0$ . When the switch is thrown to the top position, the  $S$  input on the latch becomes 0, which sets  $Data$  to 1. If the switch bounces away from the top position, the inputs to the latch become  $R = S = 1$  and the value  $Data = 1$  is stored by the latch. When the switch is thrown to the bottom position,  $Data$  changes to 0 and this value is stored in the latch if the switch bounces. Note that when a switch bounces, it cannot bounce fully between the  $S$  and  $R$  terminals; it only bounces slightly away from one of the terminals and then back to it.

---

## 7.9 CONCLUDING REMARKS

This chapter has provided several examples of digital systems that include one or more FSMs as well as building blocks like adders, registers, shift registers, and counters. We have shown how ASM charts can be used as an aid for designing a digital system, and we have shown how the circuits can be described using Verilog code. A number of practical issues have been discussed, such as clock distribution, synchronization of asynchronous inputs, and switch debouncing. Some notable books that also deal with the material presented in this chapter include [3–10].

---

## PROBLEMS

- 7.1** In Section 7.1 we showed a digital system with three registers,  $R1$  to  $R3$ , and we designed a control circuit that can be used to swap the contents of registers  $R1$  and  $R2$ . Give an ASM chart that represents this digital system and the swap operation.
- 7.2** (a) For the ASM chart derived in Problem 7.1, show another ASM chart that specifies the required control signals to control the datapath circuit. Assume that multiplexers are used to implement the bus that connects the registers, as shown in Figure 7.4.  
(b) Write complete Verilog code for the system in Problem 7.1, including the control circuit described in part (a).  
(c) Synthesize a circuit from the Verilog code written in part (b) and show a timing simulation that illustrates correct functionality of the circuit.
- 7.3** In Section 7.2 we designed a processor that performs the operations listed in Table 7.1. Design a modified circuit that performs an additional operation  $Swap\ Rx, Ry$ . This operation swaps the contents of registers  $Rx$  and  $Ry$ . Use three bits  $f_2, f_1, f_0$  to represent the input  $F$  shown in Figure 7.11 because there are now five operations, rather than four. Add a new register, named  $Tmp$ , into the system, to be used for temporary storage during the swap operation. Show logic expressions for the outputs of the control circuit, as was done in Section 7.2.
- 7.4** In Section 7.2 we gave the design for a circuit that works as a processor. Give an ASM chart that describes the functionality of this processor.

- 7.5** (a) For the ASM chart derived in Problem 7.4, show another ASM chart that specifies the required control signals to control the datapath circuit in the processor. Assume that multiplexers are used to implement the bus that connects the registers,  $R0$  to  $R3$ , in the processor.  
 (b) Write complete Verilog code for the system in Problem 7.4, including the control circuit described in part (a).  
 (c) Synthesize a circuit from the Verilog code written in part (b) and show a timing simulation that illustrates correct functionality of the circuit.
- 7.6** The ASM chart in Figure 7.17, which describes the bit-counting circuit, includes Moore-type outputs in states  $S1$ ,  $S2$ , and  $S3$ , and it has a Mealy-type output in state  $S2$ .  
 (a) Show how the ASM chart can be modified such that it has only Moore-type outputs in state  $S2$ .  
 (b) Give the ASM chart for the control circuit corresponding to part (a).  
 (c) Give Verilog code that represents the modified control circuit.
- 7.7** Figure 7.24 shows the datapath circuit for the shift-and-add multiplier. It uses a shift register for  $B$  so that  $b_0$  can be used to decide whether or not  $A$  should be added to  $P$ . A different approach is to use a normal register to hold operand  $B$  and to use a counter and multiplexer to select bit  $b_i$  in each stage of the multiplication operation.  
 (a) Show the ASM chart that uses a normal register for  $B$ , instead of a shift register.  
 (b) Show the datapath circuit corresponding to part (a).  
 (c) Give the ASM chart for the control circuit corresponding to part (b).  
 (d) Give Verilog code that represents the multiplier circuit.
- 7.8** Write Verilog code for the divider circuit that has the datapath in Figure 7.30 and the control circuit represented by the ASM chart in Figure 7.31.
- 7.9** Section 7.5 shows how to implement the traditional long division that is done by “hand.” A different approach for implementing integer division is to perform repeated subtraction as indicated in the pseudo-code in Figure P7.1.  
 (a) Give an ASM chart that represents the pseudo-code in Figure P7.1.  
 (b) Show the datapath circuit corresponding to part (a).  
 (c) Give the ASM chart for the control circuit corresponding to part (b).  
 (d) Give Verilog code that represents the divider circuit.  
 (e) Discuss the relative merits and drawbacks of your circuit in comparison with the circuit designed in Section 7.5.

```

Q = 0;
R = A;
while ((R - B) > 0) do
    R = R - B;
    Q = Q + 1;
end while;

```

**Figure P7.1** Pseudo-code for integer division.

- 7.10** In the ASM chart in Figure 7.39, the two states  $S3$  and  $S4$  are used to compute the mean  $M = Sum/k$ . Show a modified ASM chart that combines states  $S3$  and  $S4$  into a single state, called  $S3$ .
- 7.11** Write Verilog code for the FSM represented by your ASM chart defined in Problem 7.10.
- 7.12** In the ASM chart in Figure 7.41, we specify the assignment  $C_j \leftarrow C_i$  in state  $S2$ , and then in state  $S3$  we increment  $C_j$  by 1. Is it possible to eliminate state  $S3$  if the assignment  $C_j \leftarrow C_i + 1$  is performed in  $S2$ ? Explain any implications that this change has on the control and datapath circuits.
- 7.13** Figure 7.40 gives pseudo-code for the sorting operation in which the registers being sorted are indexed using variables  $i$  and  $j$ . In the ASM chart in Figure 7.41, variables  $i$  and  $j$  are implemented using the counters  $C_i$  and  $C_j$ . A different approach is to implement  $i$  and  $j$  using two shift registers.
- Redesign the circuit for the sorting operation using the shift registers instead of the counters to index registers  $R_0, \dots, R_3$ .
  - Give Verilog code for the circuit designed in part (a).
  - Discuss the relative merits and drawbacks of your circuit in comparison with the circuit that uses the counters  $C_i$  and  $C_j$ .
- 7.14** Design a circuit that finds the  $\log_2$  of an operand that is stored in an  $n$ -bit register. Show all steps in the design process and state any assumptions made. Give Verilog code that describes your circuit.
- 7.15** The circuit designed in Section 7.6 uses an adder to compute the sum of the contents of the registers. The divider subcircuit used to compute  $M = Sum/k$  also includes an adder. Show how the circuit can be redesigned so that it contains only a single adder subcircuit that is used both for the summation operation and the division operation. Show only the extra circuitry needed to connect to the adder; and explain its operation.
- 7.16** Give Verilog code for the circuit designed in Problem 7.15, including both the datapath and control circuits.
- 7.17** The pseudo-code for the sorting operation given in Figure 7.40 uses registers  $A$  and  $B$  to hold the contents of the registers being sorted. Show pseudo-code for the sorting operation that uses only register  $A$  to hold temporary data during the sorting operation. Give a corresponding ASM chart that represents the datapath and control circuits needed. Use multiplexers to interconnect the registers, in the style shown in Figure 7.42. Give a separate ASM chart that represents the control circuit.
- 7.18** Give Verilog code for the sorting circuit designed in Problem 7.17.
- 7.19** Consider the design of a circuit that controls the traffic lights at the intersection of two roads. The circuit generates the outputs  $G1, Y1, R1$  and  $G2, Y2, R2$ . These outputs represent the states of the green, yellow, and red lights, respectively, on each road. A light is turned on if the corresponding output signal has the value 1. The lights have to be controlled in the following manner: when  $G1$  is turned on it must remain on for a time period called  $t_1$  and then be turned off. Turning off  $G1$  must result in  $Y1$  being immediately turned on; it should remain on for a time period called  $t_2$  and then be turned off. When either  $G1$  or  $Y1$  is on,  $R2$  must be on and  $G2$  and  $Y2$  must be off. Turning off  $Y1$  must result in  $G2$  being immediately



turned on for the  $t_1$  time period. When  $G2$  is turned off,  $Y2$  is turned on for the  $t_2$  time period. Of course, when either  $G2$  or  $Y2$  is turned on,  $R1$  must be turned on and  $G1$  and  $Y1$  must be off.

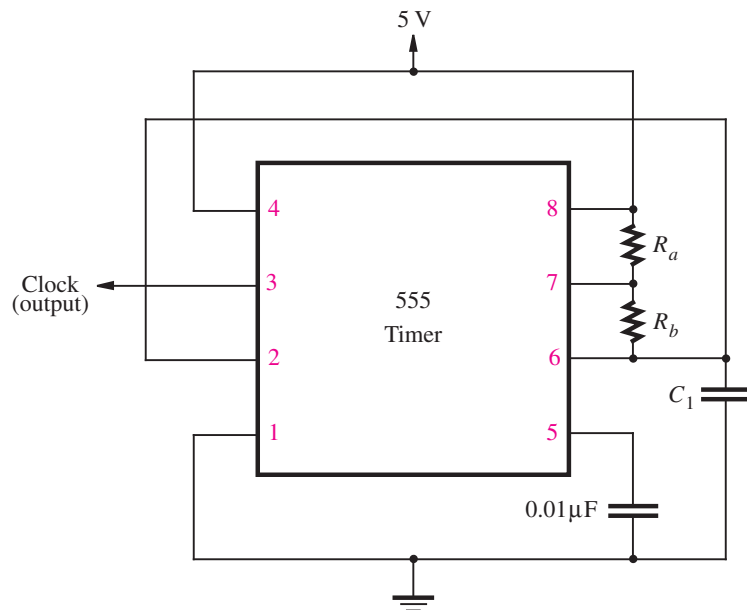
(a) Give an ASM chart that describes the traffic-light controller. Assume that two down-counters exist, one that is used to measure the  $t_1$  delay and another that is used to measure  $t_2$ . Each counter has parallel-load and enable inputs. These inputs are used to load an appropriate value representing either the  $t_1$  or  $t_2$  delay and then allow the counter to count down to 0.

(b) Give an ASM chart for the control circuit for the traffic-light controller.

(c) Write complete Verilog code for the traffic-light controller, including the control circuit from part (a) and counters to represent  $t_1$  and  $t_2$ . Use any convenient clock frequency to clock the circuit and assume convenient count values to represent  $t_1$  and  $t_2$ . Give simulation results that illustrate the operation of your circuit.

**7.20** Assume that you need to use a single-pole single-throw switch as shown in Figure 7.51a. Show how a counter can be used as a means of debouncing the *Data* signal produced by the switch. (*Hint*: Design an FSM that has *Data* as an input and produces the output *z*, which is the debounced version of *Data*. Assume that you have access to a *Clock* input signal with the frequency 102.4 kHz, which can be used as needed.)

**7.21** Clock signals can be generated using special purpose chips. One example of such a chip is the 555 programmable timer, which is depicted in Figure P7.2. By choosing particular values for the resistors  $R_a$  and  $R_b$  and the capacitor  $C_1$ , the 555 timer can be used to produce



**Figure P7.2** The 555 programmable timer chip.

a desired clock signal. It is possible to choose both the period of the clock signal and its duty cycle. The term *duty cycle* refers to the percentage of the clock period for which the signal is high. The following equations define the clock signal produced by the chip

$$\text{Clock period} = 0.7(R_a + 2R_b)C_1$$

$$\text{Duty cycle} = \frac{R_a + R_b}{R_a + 2R_b}$$

- (a) Determine the values of  $R_a$ ,  $R_b$ , and  $C_1$  needed to produce a clock signal with a 50 percent duty cycle and a frequency of about 500 kHz.
- (b) Repeat part (a) for a duty cycle of 75 percent.

---

## REFERENCES

1. V. C. Hamacher, Z. G. Vranesic, and S. G. Zaky, *Computer Organization*, 5th ed. (McGraw-Hill: New York, 2002).
2. D. A. Patterson and J. L. Hennessy, *Computer Organization and Design—The Hardware/Software Interface*, 3rd ed. (Morgan Kaufmann: San Francisco, CA, 2004).
3. D. D. Gajski, *Principles of Digital Design* (Prentice-Hall: Upper Saddle River, NJ, 1997).
4. M. M. Mano and C. R. Kime, *Logic and Computer Design Fundamentals* (Prentice-Hall: Upper Saddle River, NJ, 1997).
5. J. P. Daniels, *Digital Design from Zero to One* (Wiley: New York, 1996).
6. V. P. Nelson, H. T. Nagle, B. D. Carroll, and J. D. Irwin, *Digital Logic Circuit Analysis and Design* (Prentice-Hall: Englewood Cliffs, NJ, 1995).
7. R. H. Katz and G. Borriello, *Contemporary Logic Design*, 2nd ed., (Pearson Prentice-Hall: Upper Saddle River, N.J., 2005).
8. J. P. Hayes, *Introduction to Logic Design* (Addison-Wesley: Reading, MA, 1993).
9. C. H. Roth Jr., *Fundamentals of Logic Design*, 5th ed., (Thomson/Brooks/Cole: Belmont, Ca., 2004).
10. J. F. Wakerly, *Digital Design Principles and Practices*, 4th ed. (Prentice-Hall: Englewood Cliffs, N.J., 2005).
11. C. J. Myers, *Asynchronous Circuit Design*, (Wiley: New York, 2001).

*This page intentionally left blank*

---

chapter

# 8

## OPTIMIZED IMPLEMENTATION OF LOGIC FUNCTIONS

### CHAPTER OBJECTIVES

In this chapter you will learn about:

- Synthesis of logic functions
- Analysis of logic circuits
- Algorithmic techniques for the optimization of logic functions
- Cubical representation of logic functions
- Representation of logic functions using binary decision diagrams

In Chapter 2 we showed how to find the lowest-cost implementations of logic functions by using either algebraic manipulation or Karnaugh maps. The reader is probably convinced that it is not at all obvious how to apply the theorems of Boolean algebra to find a minimum-cost circuit. Karnaugh maps provide a systematic way of manually deriving minimum-cost implementations of simple logic functions, but they become impractical for functions of many variables.

If CAD tools are used to design logic circuits, the task of minimizing the cost of implementation does not fall to the designer; the tools perform the necessary optimizations automatically. Even so, it is important to know something about this process. Most CAD tools have many features and options that are under control of the user. To know when and how to apply these options, the user must have an understanding of what the tools do.

In this chapter we will introduce some of the optimization techniques implemented in CAD tools and show how these techniques can be automated. We first discuss synthesis techniques that can be used to produce multilevel logic circuits, rather than just the two-level sum-of-products and product-of-sums forms that we studied in Chapter 2. Then we will describe a cubical representation of logic functions, as well as a graphical representation called binary decision diagrams (BDDs). We will discuss some algorithmic approaches for circuit optimization that are based on these representations.

---

## 8.1 MULTILEVEL SYNTHESIS

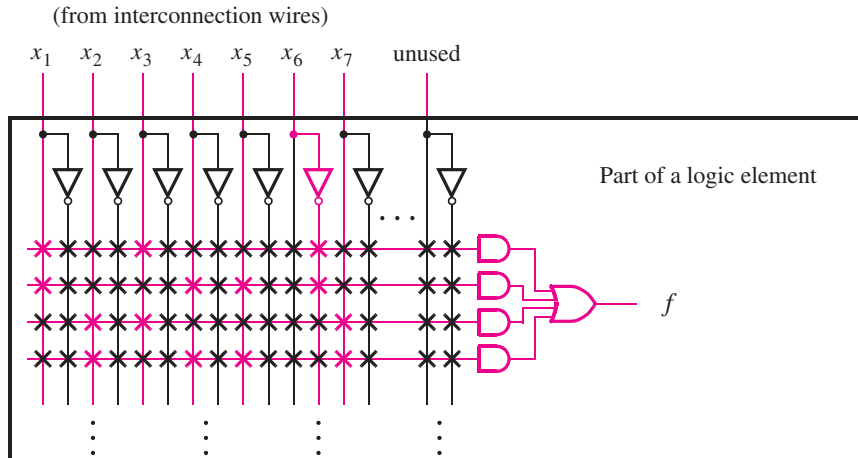
In the previous chapters we have usually implemented logic functions in the sum-of-products or product-of-sums form. Logic circuits of this type have *two levels* of gates. In the sum-of-products form, the first level comprises AND gates that are connected to a second-level OR gate. In the product-of-sums form, the first-level OR gates feed the second-level AND gate. We have assumed that both true and complemented versions of the input variables are available so that NOT gates are not needed to complement the variables.

A two-level realization is usually efficient for functions of a few variables. However, as the number of inputs increases, a two-level circuit may result in logic gates that have too many inputs. Whether or not this is an issue depends on the type of technology that is used to implement the circuit. For example, consider the following function:

$$f(x_1, \dots, x_7) = x_1x_3\bar{x}_6 + x_1x_4x_5\bar{x}_6 + x_2x_3x_7 + x_2x_4x_5x_7$$

This is a minimum-cost SOP expression. Now consider implementing  $f$  in two types of chips: a CPLD and an FPGA. Figure 8.1 shows a logic element in a typical CPLD, like those shown in Appendix B. The figure indicates in blue the circuitry used to realize the function  $f$ . The CPLD architecture is well-suited for SOP implementations.

Next, consider implementing  $f$  in an FPGA. For this example we will assume an FPGA in which the logic elements are four-input lookup tables (LUTs). As discussed in Appendix B, a four-input LUT can implement any logic function that has up to four inputs. Since the SOP expression for  $f$  requires three- and four-input AND operations and a four-input OR, each of these logic operations could be realized in a separate LUT. Four LUTs would be needed for the AND operations, plus one additional LUT for the OR operation, giving five LUTs in total.



**Figure 8.1** Implementation in a CPLD.

A more efficient implementation in the FPGA architecture can be obtained if  $f$  is expressed in a form that has more than two levels of logic operations. Such a form is called a *multilevel* logic expression. There are several different approaches for synthesis of multilevel circuits. We will discuss two important techniques known as *factoring* and *functional decomposition*.

### 8.1.1 FACTORING

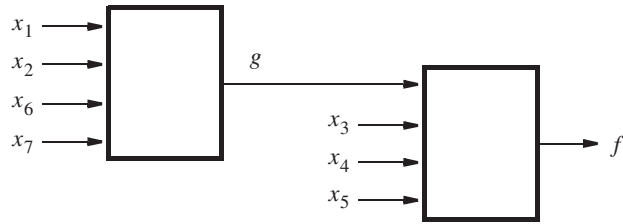
The distributive property of Boolean algebra allows us to factor the preceding expression for  $f$  as follows

$$\begin{aligned} f &= x_1\bar{x}_6(x_3 + x_4x_5) + x_2x_7(x_3 + x_4x_5) \\ &= (x_1\bar{x}_6 + x_2x_7)(x_3 + x_4x_5) \end{aligned}$$

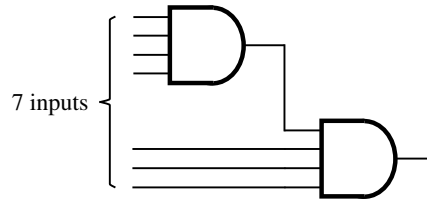
The corresponding circuit can be realized using only two LUTs, as shown in Figure 8.2. The first LUT implements the expression  $g = (x_1\bar{x}_6 + x_2x_7)$ , and the second LUT implements  $f = g \cdot (x_3 + x_4x_5)$ .

#### Fan-in Problem

In the preceding example, the number of inputs, or fan-in, of each LUT is restricted to four because of the FPGA architecture. But even if we were to make a custom chip to implement a circuit it would still be necessary to limit the fan-in of gates. This limit is caused by practical issues related to transistor technology, which is discussed in Appendix B. Suppose that the available gates in a custom chip have a maximum fan-in of four. Then, if a logic expression includes a seven-input product term, we would have to use 2 four-input AND gates, as indicated in Figure 8.3.



**Figure 8.2** Using three LUTs after factoring.



**Figure 8.3** Using four-input AND gates to realize a seven-input product term.

Factoring can be used to deal with the fan-in problem. As an example, consider the function

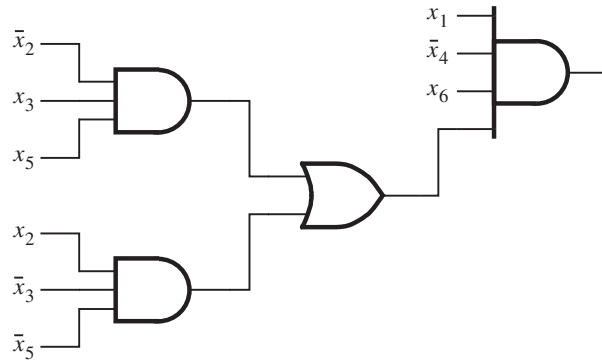
$$f = x_1\bar{x}_2x_3\bar{x}_4x_5x_6 + x_1x_2\bar{x}_3\bar{x}_4\bar{x}_5x_6$$

This is a minimal sum-of-products expression. Using the approach of Figure 8.3, we will need four AND gates and one OR gate to implement this expression. A better solution is to factor the expression as follows

$$f = x_1\bar{x}_4x_6(\bar{x}_2x_3x_5 + x_2\bar{x}_3\bar{x}_5)$$

Then three AND gates and one OR gate suffice for realization of the required function, as shown in Figure 8.4.

**Example 8.1** In practical situations a designer of logic circuits often encounters specifications that naturally lead to an initial design where the logic expressions are in a factored form. Suppose we need a circuit that meets the following requirements. There are four inputs:  $x_1$ ,  $x_2$ ,  $x_3$ , and  $x_4$ . An output,  $f_1$ , must have the value 1 if at least one of the inputs  $x_1$  and  $x_2$  is equal to 1 and both  $x_3$  and  $x_4$  are equal to 1; it must also be 1 if  $x_1 = x_2 = 0$  and either  $x_3$  or  $x_4$  is 1. In all other cases  $f_1 = 0$ . A different output,  $f_2$ , is to be equal to 1 in all cases except when both  $x_1$  and  $x_2$  are equal to 0 or when both  $x_3$  and  $x_4$  are equal to 0.



**Figure 8.4** A factored circuit.

From this specification, the function  $f_1$  can be expressed as

$$f_1 = (x_1 + x_2)x_3x_4 + \bar{x}_1\bar{x}_2(x_3 + x_4)$$

This expression can be simplified to

$$f_1 = x_3x_4 + \bar{x}_1\bar{x}_2(x_3 + x_4)$$

which the reader can verify by using a Karnaugh map.

The second function,  $f_2$ , is most easily defined in terms of its complement, such that

$$\bar{f}_2 = \bar{x}_1\bar{x}_2 + \bar{x}_3\bar{x}_4$$

Then using DeMorgan's theorem gives

$$f_2 = (x_1 + x_2)(x_3 + x_4)$$

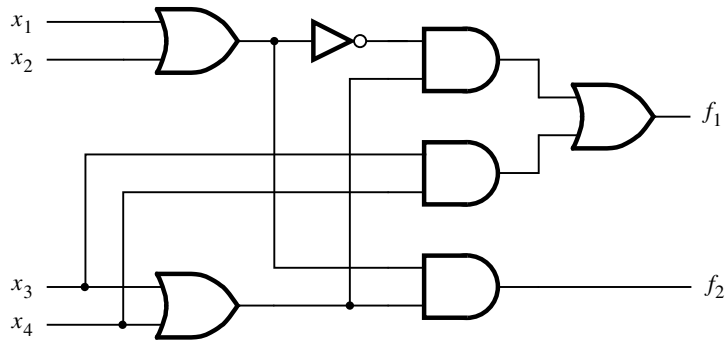
which is the minimum-cost expression for  $f_2$ ; the cost increases significantly if the SOP form is used.

Because our objective is to design the lowest-cost combined circuit that implements  $f_1$  and  $f_2$ , it seems that the best result can be achieved if we use the factored forms for both functions, in which case the sum term  $(x_3 + x_4)$  can be shared. Moreover, observing that  $\bar{x}_1\bar{x}_2 = \overline{x_1 + x_2}$ , the sum term  $(x_1 + x_2)$  can also be shared if we express  $f_1$  in the form

$$f_1 = x_3x_4 + \overline{x_1 + x_2}(x_3 + x_4)$$

Then the combined circuit, shown in Figure 8.5, comprises three OR gates, three AND gates, one NOT gate, and 13 inputs, for a total cost of 20.





**Figure 8.5** Circuit for Example 8.1.

### 8.1.2 FUNCTIONAL DECOMPOSITION

In the preceding examples, which illustrated the factoring approach, multilevel circuits were used to deal with fan-in limitations. However, such circuits may be preferable to their two-level equivalents even if fan-in is not a problem. In some cases the multilevel circuits may reduce the cost of implementation. On the other hand, they usually imply longer propagation delays, because they use multiple stages of logic gates. We will explore these issues by means of illustrative examples.

Complexity of a logic circuit can often be reduced by *decomposing* a two-level circuit into subcircuits, where one or more subcircuits implement functions that may be used in several places to construct the final circuit. To achieve this objective, a two-level logic expression is replaced by two or more new expressions, which are then combined to define a multilevel circuit. We can illustrate this idea by a simple example.

---

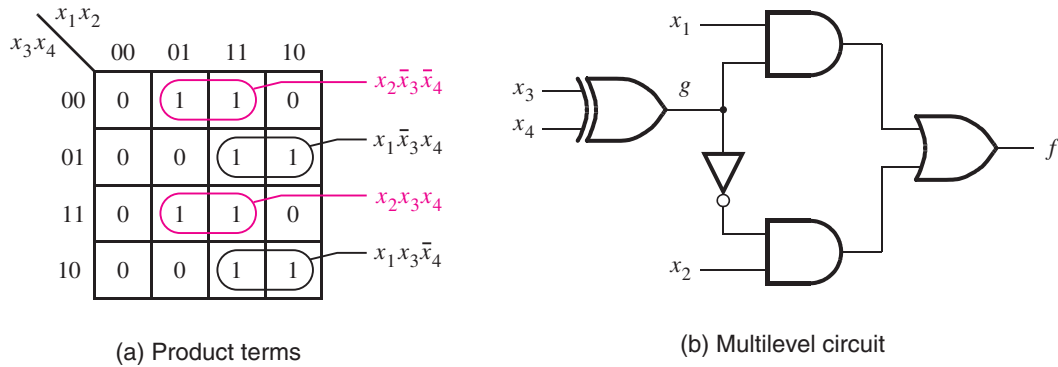
**Example 8.2** Consider the four-variable function  $f$  shown in the Karnaugh map in Figure 8.6a. The map indicates how the  $f$  can be realized in minimum SOP form, leading to the expression

$$f = x_1\bar{x}_3x_4 + x_1x_3\bar{x}_4 + x_2\bar{x}_3\bar{x}_4 + x_2x_3x_4$$

This expression has seven gates and 18 inputs to gates, for a total cost of 25. The reader should observe that in this case we have assumed that inputs are available only in their true form, and have therefore included the cost of NOT gates needed to complement  $x_3$  and  $x_4$ .

To perform functional decomposition we need to find one or more subfunctions that depend on only a subset of the input variables. In this example we will attempt to find a subfunction that depends only on the inputs  $x_3$  and  $x_4$ . Factoring  $x_1$  from the first two terms and  $x_2$  from the last two terms, we have

$$f = x_1(\bar{x}_3x_4 + x_3\bar{x}_4) + x_2(\bar{x}_3\bar{x}_4 + x_3x_4)$$



**Figure 8.6** The function for Example 8.2.

Now let  $g(x_3, x_4) = \bar{x}_3x_4 + x_3\bar{x}_4$  and observe that  $\bar{g} = \bar{x}_3\bar{x}_4 + x_3x_4$ . The decomposed function  $f$  can be written as

$$f = x_1g + x_2\bar{g}$$

Observing that  $g = x_3 \oplus x_4$  leads to the circuit shown in Figure 8.6b. It has five logic gates plus nine inputs to gates, leading to a total cost of 13. The cost of this multilevel circuit is significantly lower than that of the SOP implementation of  $f$ . The trade-off is an increased propagation delay because the circuit has an extra level of logic.

Instead of using algebraic manipulation to find subfunctions, a more systematic approach can be followed by examining the Karnaugh map. Figure 8.7a highlights subfunction  $g$  in blue. This subfunction depends only on the variables that define the rows of the Karnaugh map, namely  $x_3$  and  $x_4$ . We have

$$\begin{aligned} g &= \bar{x}_3x_4 + x_3\bar{x}_4 \\ &= x_3 \oplus x_4 \end{aligned}$$

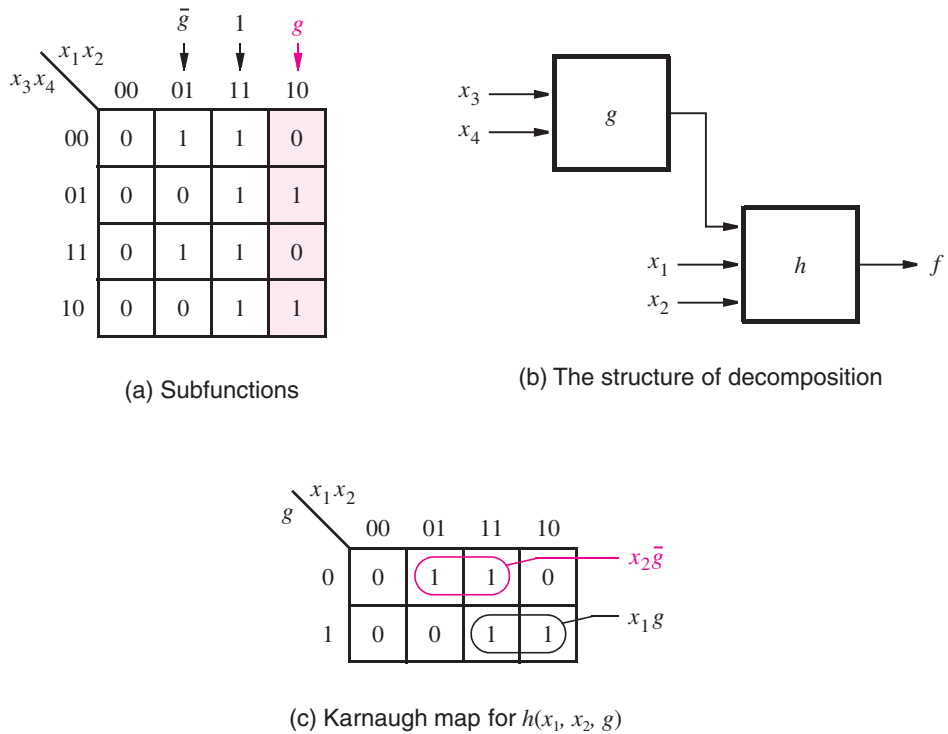
Since  $g$  is in the rightmost column of the map, where  $x_1 = 1$  and  $x_2 = 0$ , the part of  $f$  defined by  $g$  is given by  $(x_1\bar{x}_2) \cdot g$ . Now, we can observe that the second column in the Karnaugh map represents the subfunction  $\bar{g}$ , and the third column is a subfunction equal to 1. Thus,  $f$  can be implemented using a three-variable function  $h(x_1, x_2, g)$  such that

$$\begin{aligned} f(x_1, x_2, x_3, x_4) &= h[x_1, x_2, g(x_3, x_4)] \\ &= (\bar{x}_1x_2) \cdot \bar{g} + (x_1\bar{x}_2) \cdot g + (x_1x_2) \cdot 1 \end{aligned}$$

The structure of this decomposition is illustrated in Figure 8.7b. We can optimize the expression for  $h$  as shown in Figure 8.7c. The result is

$$h = x_1g + x_2\bar{g}$$

which is the same decomposition that we derived above by using algebraic manipulation.



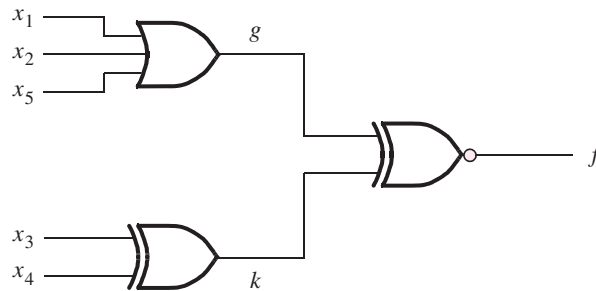
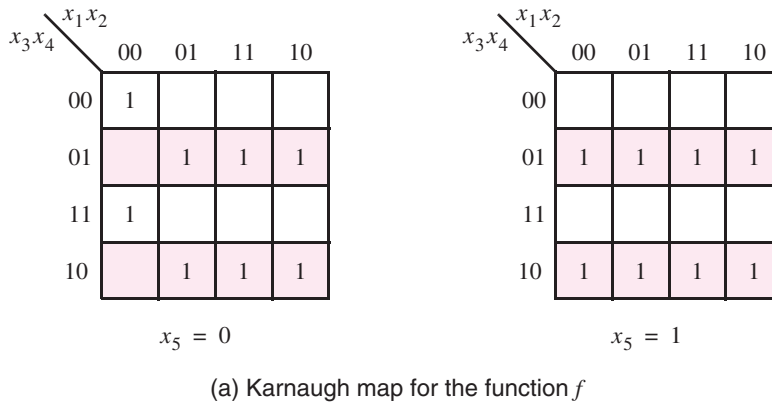
**Figure 8.7** Subfunctions used in decomposition.

In Figure 8.7a we identified subfunctions by first looking at the columns of the map. The same decomposition could also have been derived by first examining the rows of the map, which is the approach that we explore in the following example.

**Example 8.3** Figure 8.8a defines a five-variable function  $f$  in the form of a Karnaugh map. Examining the rows of the map, we can see that there are only two distinct patterns, which means that only two subfunctions are needed to implement the rows. The second and fourth rows have one pattern, highlighted in blue, while the first and third rows have the other pattern. Consider the second row. It depends only on the variables that define columns in each row, namely,  $x_1, x_2,$  and  $x_5$ . Let a subfunction  $g(x_1, x_2, x_5)$  represent the pattern in this row. This subfunction is just

$$g = x_1 + x_2 + x_5$$

because the pattern has a 1 wherever any of these variables is equal to 1. To specify the location of rows where the pattern  $g$  occurs, which is in rows 2 and 4, we use the variables



**Figure 8.8** Decomposition for Example 8.3.

$x_3$  and  $x_4$ . The terms  $\bar{x}_3x_4$  and  $x_3\bar{x}_4$  identify the second and fourth rows, respectively. Thus the expression  $(\bar{x}_3x_4 + x_3\bar{x}_4) \cdot g$  represents the part of  $f$  that is defined in rows 2 and 4.

Next, we have to find a realization for the pattern in rows 1 and 3. This pattern has a 1 only in the cell where  $x_1 = x_2 = x_5 = 0$ , which corresponds to the term  $\bar{x}_1\bar{x}_2\bar{x}_5$ . But we can make a useful observation that this term is just a complement of  $g$ . The location of rows 1 and 3 is identified by terms  $\bar{x}_3\bar{x}_4$  and  $x_3x_4$ , respectively. Thus the expression  $(\bar{x}_3\bar{x}_4 + x_3x_4) \cdot \bar{g}$  represents  $f$  in rows 1 and 3.

We can make one other useful observation. The expressions  $(\bar{x}_3x_4 + x_3\bar{x}_4)$  and  $(\bar{x}_3\bar{x}_4 + x_3x_4)$  are complements of each other. Therefore, if we let  $k(x_3, x_4) = \bar{x}_3x_4 + x_3\bar{x}_4$ , the complete decomposition of  $f$  can be stated as

$$\begin{aligned} f(x_1, x_2, x_3, x_4, x_5) &= h[g(x_1, x_2, x_5), k(x_3, x_4)] \\ &= kg + \bar{k}\bar{g} = \bar{k} \oplus \bar{g} \end{aligned}$$

where

$$\begin{aligned} g &= x_1 + x_2 + x_5 \\ k &= \bar{x}_3x_4 + x_3\bar{x}_4 = x_3 \oplus x_4 \end{aligned}$$

The resulting circuit is given in Figure 8.8*b*. It requires a total of three gates and seven inputs to gates, for a total cost of 10. The largest fan-in of any gate is three.

For comparison, a minimum-cost sum-of-products expression for  $f$  is

$$f = x_1\bar{x}_3x_4 + x_1x_3\bar{x}_4 + x_2\bar{x}_3x_4 + x_2x_3\bar{x}_4 + \bar{x}_3x_4x_5 + x_3\bar{x}_4x_5 + \bar{x}_1\bar{x}_2\bar{x}_3\bar{x}_4\bar{x}_5 + \bar{x}_1\bar{x}_2x_3x_4\bar{x}_5$$

The corresponding circuit requires a total of 14 gates (including the five NOT gates to complement the primary inputs) and 41 inputs, giving a total cost of 55. The fan-in for the output OR gate is eight. Obviously, functional decomposition results in a much simpler implementation of this function.

In the two preceding examples, the decomposition is such that a decomposed subfunction depends on some primary input variables, whereas the remainder of the implementation depends on the rest of the variables. Such decompositions are called *disjoint decompositions* in the technical literature. It is possible to have a *non-disjoint decomposition*, where the variables of the subfunction are also used in realizing the remainder of the circuit. The following example illustrates this possibility.

**Example 8.4** Suppose that we wish to implement the XOR function using only NAND gates. Figure 8.9*a* shows a SOP implementation of this function, and part (*b*) of the figure gives a NAND-NAND circuit that has the same structure.

Let us now try to exploit functional decomposition to find a better implementation of XOR using only NAND gates. Let the symbol  $\uparrow$  represent the NAND operation so that  $x_1 \uparrow x_2 = \overline{x_1 \cdot x_2}$ . A sum-of-products expression for the XOR function is

$$x_1 \oplus x_2 = x_1\bar{x}_2 + \bar{x}_1x_2$$

From the discussion in Section 2.7, this expression can be written in terms of NAND operations as

$$x_1 \oplus x_2 = (x_1 \uparrow \bar{x}_2) \uparrow (\bar{x}_1 \uparrow x_2)$$

This expression requires five NAND gates, and it is implemented by the circuit in Figure 8.9*b*. Observe that an inverter is implemented using a two-input NAND gate by tying the two inputs together.

To find a decomposition, we can manipulate the term  $(x_1 \uparrow \bar{x}_2)$  as follows:

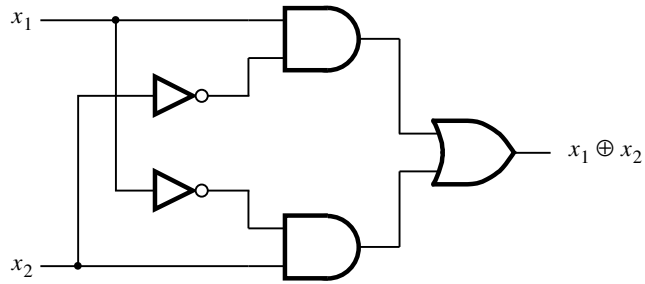
$$(x_1 \uparrow \bar{x}_2) = \overline{(x_1\bar{x}_2)} = \overline{(x_1(\bar{x}_1 + \bar{x}_2))} = (x_1 \uparrow (\bar{x}_1 + \bar{x}_2))$$

We can perform a similar manipulation for  $(\bar{x}_1 \uparrow x_2)$  to generate

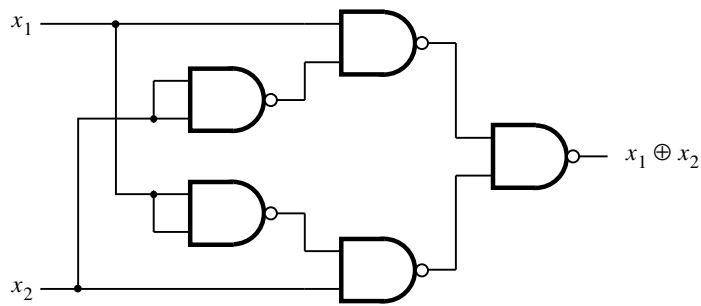
$$x_1 \oplus x_2 = (x_1 \uparrow (\bar{x}_1 + \bar{x}_2)) \uparrow ((\bar{x}_1 + \bar{x}_2) \uparrow x_2)$$

DeMorgan's theorem states that  $\bar{x}_1 + \bar{x}_2 = x_1 \uparrow x_2$ ; hence we can write

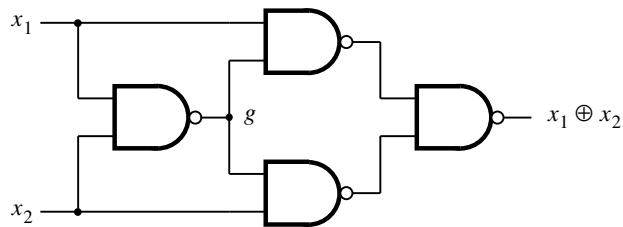
$$x_1 \oplus x_2 = (x_1 \uparrow (x_1 \uparrow x_2)) \uparrow ((x_1 \uparrow x_2) \uparrow x_2)$$



(a) Sum-of-products implementation



(b) NAND gate implementation



(c) Optimal NAND gate implementation

**Figure 8.9** Implementation of XOR.

Now we have a decomposition

$$x_1 \oplus x_2 = (x_1 \uparrow g) \uparrow (g \uparrow x_2)$$

$$g = x_1 \uparrow x_2$$

The corresponding circuit, which requires only four NAND gates, is given in Figure 8.9c.

### Practical Issues

Functional decomposition is a powerful technique for reducing the complexity of circuits. A big problem in functional decomposition is finding the possible subfunctions. For functions of many variables, an enormous number of possibilities should be tried. This situation precludes attempts at finding optimal solutions. Instead, heuristic approaches that lead to acceptable solutions are used.

Full discussion of functional decomposition and factoring is beyond the scope of this book. An interested reader may consult other references [1–4]. Modern CAD tools use the concept of decomposition extensively.

### 8.1.3 MULTILEVEL NAND AND NOR CIRCUITS

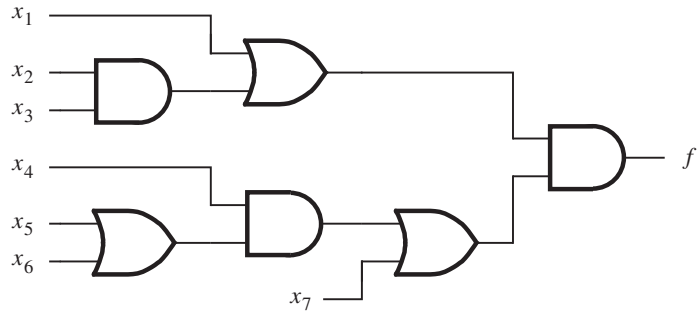
In Section 2.7 we showed that two-level circuits consisting of AND and OR gates can be easily converted into circuits that can be realized with NAND and NOR gates, using the same gate arrangement. In particular, an AND-OR (sum-of-products) circuit can be realized as a NAND-NAND circuit, while an OR-AND (product-of-sums) circuit becomes a NOR-NOR circuit. The same conversion approach can be used for multilevel circuits. We will illustrate this approach by an example.

---

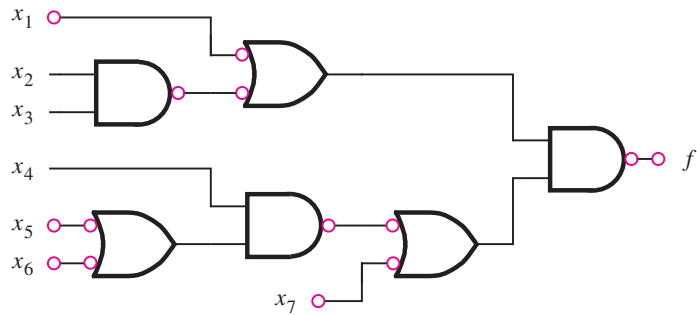
**Example 8.5** Figure 8.10a gives a four-level circuit consisting of AND and OR gates. Let us first derive a functionally equivalent circuit that comprises only NAND gates. Each AND gate is converted to a NAND by inverting its output. Each OR gate is converted to a NAND by inverting its inputs. This is just an application of DeMorgan's theorem, as illustrated in Figure 2.26. Figure 8.10b shows the necessary inversions in blue. Note that an inversion is applied at both ends of a given wire. Now each gate becomes a NAND gate. This accounts for most of the inversions added to the original circuit. But, there are still four inversions that are not a part of any gate; therefore, they must be implemented separately. These inversions are at inputs  $x_1$ ,  $x_5$ ,  $x_6$ , and  $x_7$  and at the output  $f$ . They can be implemented as two-input NAND gates, where the inputs are tied together. The resulting circuit is shown in Figure 8.10c.

A similar approach can be used to convert the circuit in Figure 8.10a into a circuit that comprises only NOR gates. An OR gate is converted to a NOR gate by inverting its output. An AND becomes a NOR if its inputs are inverted, as indicated in Figure 2.26. Using this approach, the inversions needed for our sample circuit are shown in blue in Figure 8.11a. Then each gate becomes a NOR gate. The three inversions at inputs  $x_2$ ,  $x_3$ , and  $x_4$  can be realized as two-input NOR gates, where the inputs are tied together. The resulting circuit is presented in Figure 8.11b.

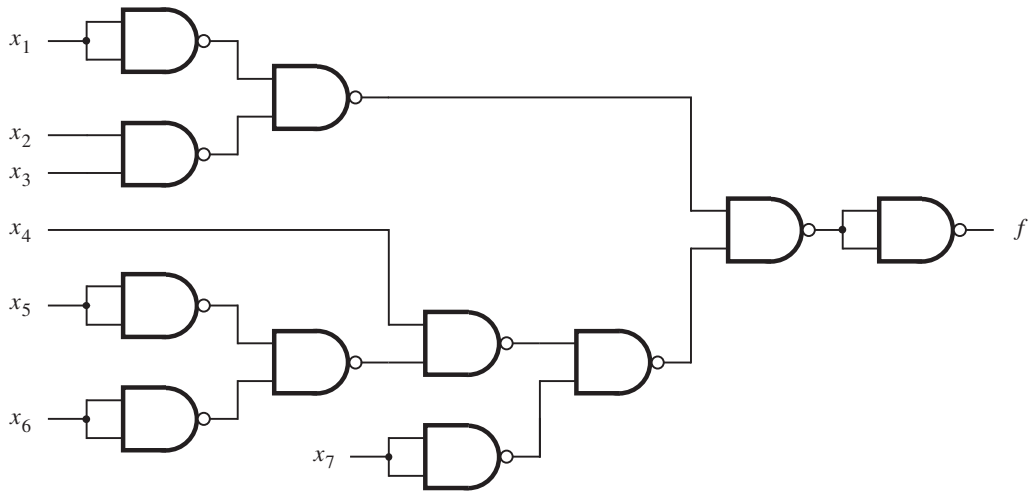
It is evident that the basic topology of a circuit does not change substantially when converting from AND and OR gates to either NAND or NOR gates. However, it may be necessary to insert additional gates to serve as NOT gates that implement inversions not absorbed as a part of other gates in the circuit.



(a) Circuit with AND and OR gates



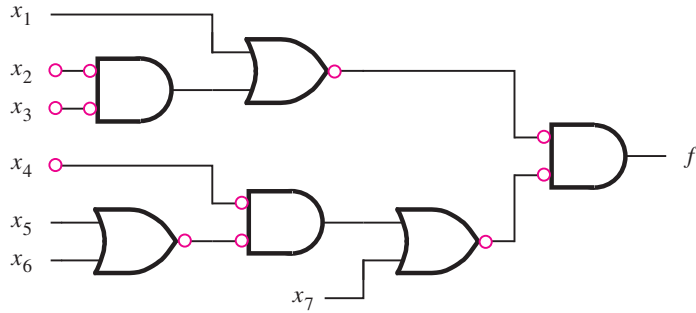
(b) Inversions needed to convert to NANDs



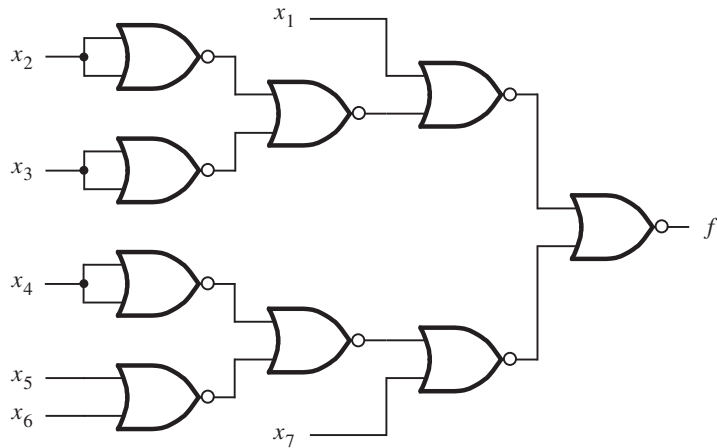
(c) NAND-gate circuit

**Figure 8.10** Conversion to a NAND-gate circuit.





(a) Inversions needed to convert to NORs



(b) NOR-gate circuit

**Figure 8.11** Conversion to a NOR-gate circuit.

## 8.2 ANALYSIS OF MULTILEVEL CIRCUITS

The preceding section showed that it may be advantageous to implement logic functions using multilevel circuits. It also presented the most commonly used approaches for synthesizing functions in this way. In this section we will consider the task of analyzing an existing circuit to determine the function that it implements.

For two-level circuits the analysis process is simple. If a circuit has an AND-OR (NAND-NAND) structure, then its output function can be written in the SOP form by inspection. Similarly, it is easy to derive a POS expression for an OR-AND (NOR-NOR)

circuit. The analysis task is more complicated for multilevel circuits because it is difficult to write an expression for the function by inspection. We have to derive the desired expression by tracing the circuit and determining its functionality. The tracing can be done either starting from the input side and working towards the output, or by starting at the output side and working back towards the inputs. At intermediate points in the circuit, it is necessary to evaluate the subfunctions realized by the logic gates.

Figure 8.12 replicates the circuit from Figure 8.10a. To determine the function  $f$  implemented by this circuit, we can consider the functionality at internal points that are the outputs of various gates. These points are labeled  $P_1$  to  $P_5$  in the figure. The functions realized at these points are

### Example 8.6

$$\begin{aligned} P_1 &= x_2x_3 \\ P_2 &= x_5 + x_6 \\ P_3 &= x_1 + P_1 = x_1 + x_2x_3 \\ P_4 &= x_4P_2 = x_4(x_5 + x_6) \\ P_5 &= P_4 + x_7 = x_4(x_5 + x_6) + x_7 \end{aligned}$$

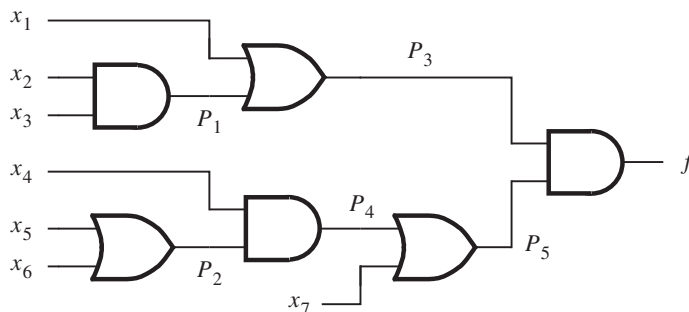
Then  $f$  can be evaluated as

$$\begin{aligned} f &= P_3P_5 \\ &= (x_1 + x_2x_3)(x_4(x_5 + x_6) + x_7) \end{aligned}$$

Applying the distributive property to eliminate the parentheses gives

$$f = x_1x_4x_5 + x_1x_4x_6 + x_1x_7 + x_2x_3x_4x_5 + x_2x_3x_4x_6 + x_2x_3x_7$$

Note that the expression represents a circuit comprising six AND gates, one OR gate, and 25 inputs. The cost of this two-level circuit is higher than the cost of the circuit in Figure 8.12, but the circuit has lower propagation delay.



**Figure 8.12** Circuit for Example 8.6.

**Example 8.7** In Example 8.3 we derived the circuit in Figure 8.8*b*. This circuit is reproduced in Figure 8.13, except that we have replaced the XOR and XNOR gates from Figure 8.8*b* with their equivalent SOP form. The internal points in Figure 8.13 are labeled from  $P_1$  to  $P_{10}$  as shown. The following subfunctions occur

$$P_1 = x_1 + x_2 + x_5$$

$$P_2 = \bar{x}_4$$

$$P_3 = \bar{x}_3$$

$$P_4 = x_3P_2$$

$$P_5 = x_4P_3$$

$$P_6 = P_4 + P_5$$

$$P_7 = \bar{P}_1$$

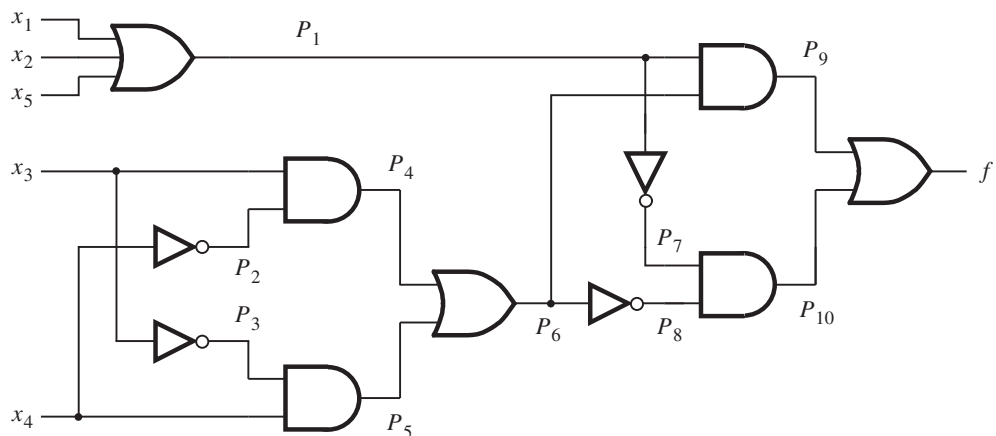
$$P_8 = \bar{P}_6$$

$$P_9 = P_1P_6$$

$$P_{10} = P_7P_8$$

We can derive  $f$  by tracing the circuit from the output towards the inputs as follows

$$\begin{aligned} f &= P_9 + P_{10} \\ &= P_1P_6 + P_7P_8 \\ &= (x_1 + x_2 + x_5)(P_4 + P_5) + \bar{P}_1\bar{P}_6 \end{aligned}$$



**Figure 8.13** Circuit for Example 8.7.

$$\begin{aligned}
&= (x_1 + x_2 + x_5)(x_3P_2 + x_4P_3) + \bar{x}_1\bar{x}_2\bar{x}_5\bar{P}_4\bar{P}_5 \\
&= (x_1 + x_2 + x_5)(x_3\bar{x}_4 + x_4\bar{x}_3) + \bar{x}_1\bar{x}_2\bar{x}_5(\bar{x}_3 + \bar{P}_2)(\bar{x}_4 + \bar{P}_3) \\
&= (x_1 + x_2 + x_5)(x_3\bar{x}_4 + \bar{x}_3x_4) + \bar{x}_1\bar{x}_2\bar{x}_5(\bar{x}_3 + x_4)(\bar{x}_4 + x_3) \\
&= x_1x_3\bar{x}_4 + x_1\bar{x}_3x_4 + x_2x_3\bar{x}_4 + x_2\bar{x}_3x_4 + x_5x_3\bar{x}_4 + x_5\bar{x}_3x_4 \\
&\quad + \bar{x}_1\bar{x}_2\bar{x}_5\bar{x}_3\bar{x}_4 + \bar{x}_1\bar{x}_2\bar{x}_5x_4x_3
\end{aligned}$$

This is the same expression as stated in Example 8.3.

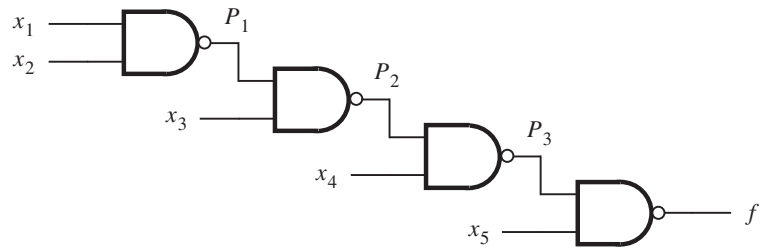
Circuits based on NAND and NOR gates are slightly more difficult to analyze because each gate involves an inversion. Figure 8.14a depicts a simple NAND-gate circuit that illustrates the effect of inversions. We can convert this circuit into a circuit with AND and OR gates using the reverse of the approach described in Example 8.5. Bubbles that denote inversions can be moved, according to DeMorgan's theorem, as indicated in Figure 8.14b. Then the circuit can be converted into the circuit in part (c) of the figure, which consists of AND and OR gates. Observe that in the converted circuit, the inputs  $x_3$  and  $x_5$  are complemented. From this circuit the function  $f$  is determined as

### Example 8.8

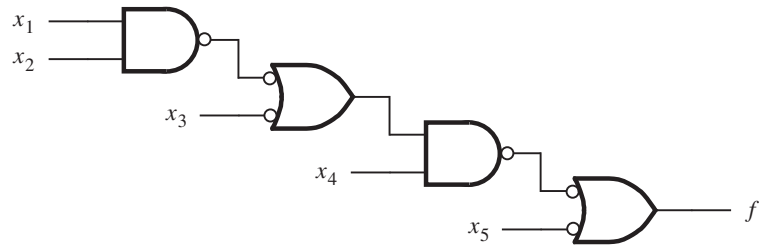
$$\begin{aligned}
f &= (x_1x_2 + \bar{x}_3)x_4 + \bar{x}_5 \\
&= x_1x_2x_4 + \bar{x}_3x_4 + \bar{x}_5
\end{aligned}$$

It is not necessary to convert a NAND circuit into a circuit with AND and OR gates to determine its functionality. We can use the approach from Examples 8.6 and 8.7 to derive  $f$  as follows. Let  $P_1$ ,  $P_2$ , and  $P_3$  label the internal points as shown in Figure 8.14a. Then

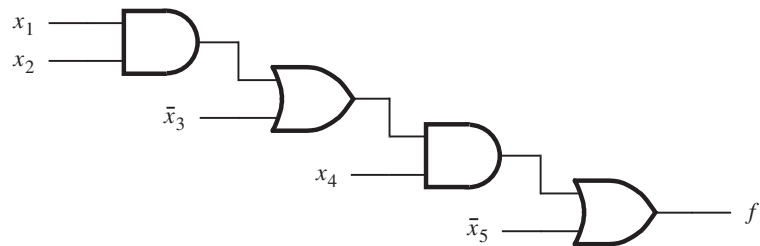
$$\begin{aligned}
P_1 &= \overline{x_1x_2} \\
P_2 &= \overline{P_1x_3} \\
P_3 &= \overline{P_2x_4} \\
f &= \overline{P_3x_5} = \bar{P}_3 + \bar{x}_5 \\
&= \overline{\overline{P_2x_4}} + \bar{x}_5 = P_2x_4 + \bar{x}_5 \\
&= \overline{\overline{P_1x_3}x_4} + \bar{x}_5 = (\bar{P}_1 + \bar{x}_3)x_4 + \bar{x}_5 \\
&= (\overline{\overline{x_1x_2}} + \bar{x}_3)x_4 + \bar{x}_5 \\
&= (x_1x_2 + \bar{x}_3)x_4 + \bar{x}_5 \\
&= x_1x_2x_4 + \bar{x}_3x_4 + \bar{x}_5
\end{aligned}$$



(a) NAND-gate circuit



(b) Moving bubbles to convert to ANDs and ORs



(c) Circuit with AND and OR gates

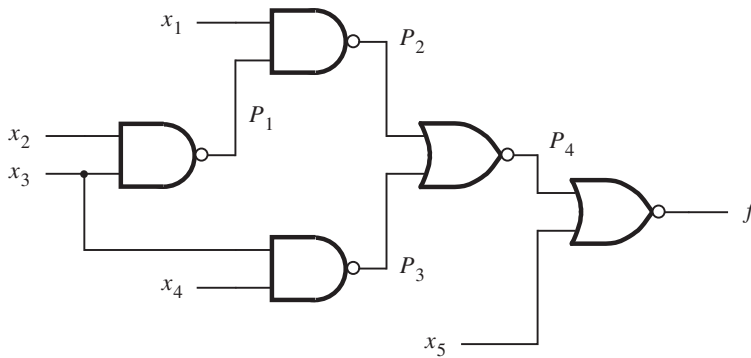
**Figure 8.14** Circuit for Example 8.8.

**Example 8.9** The circuit in Figure 8.15 consists of NAND and NOR gates. It can be analyzed as follows.

$$P_1 = \overline{x_2 x_3}$$

$$P_2 = \overline{x_1 P_1} = \overline{x_1} + \overline{P_1}$$

$$P_3 = \overline{x_3 x_4} = \overline{x_3} + \overline{x_4}$$



**Figure 8.15** Circuit for Example 8.9.

$$\begin{aligned}
 P_4 &= \overline{P_2 + P_3} \\
 f &= \overline{P_4 + x_5} = \overline{\overline{P_2 + P_3} + x_5} \\
 &= \overline{\overline{P_2 + P_3}} \cdot \overline{x_5} \\
 &= (P_2 + P_3)\overline{x_5} \\
 &= (\overline{x_1} + \overline{P_1} + \overline{x_3} + \overline{x_4})\overline{x_5} \\
 &= (\overline{x_1} + x_2x_3 + \overline{x_3} + \overline{x_4})\overline{x_5} \\
 &= (\overline{x_1} + x_2 + \overline{x_3} + \overline{x_4})\overline{x_5} \\
 &= \overline{x_1}\overline{x_5} + x_2\overline{x_5} + \overline{x_3}\overline{x_5} + \overline{x_4}\overline{x_5}
 \end{aligned}$$

Note that in deriving the second to the last line, we used property 16a in Section 2.5 to simplify  $x_2x_3 + \overline{x_3}$  into  $x_2 + \overline{x_3}$ .

Analysis of circuits is much simpler than synthesis. With a little practice one can develop an ability to easily analyze even fairly complex circuits.

We have now covered a considerable amount of material on synthesis and analysis of logic functions. We have used the Karnaugh map as a vehicle for illustrating the concepts involved in finding optimal implementations of logic functions. We have also shown that logic functions can be realized in a variety of forms, both with two levels of logic and with multiple levels. In a modern design environment, logic circuits are synthesized using CAD tools, rather than by hand. The concepts that we have discussed in this chapter are quite general; they are representative of the strategies implemented in CAD algorithms. As we have said before, the Karnaugh map scheme for representing logic functions is not appropriate for use in CAD tools. In the next section we discuss two alternative representations of logic functions, which are suitable for use in CAD algorithms.

## 8.3 ALTERNATIVE REPRESENTATIONS OF LOGIC FUNCTIONS

So far in this book, we have encountered four different forms for representing logic functions: truth tables, algebraic expressions, Venn diagrams, and Karnaugh maps. Two other possibilities are introduced in this section, called cubical notation and binary decision diagrams.

### 8.3.1 CUBICAL REPRESENTATION

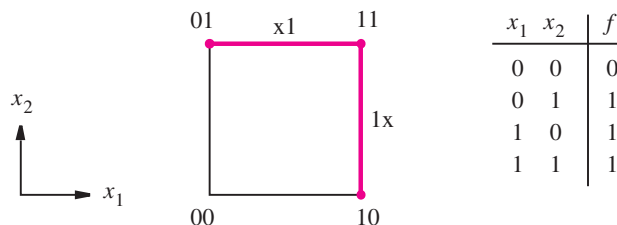
Cubical notation represents an  $n$ -variable logic function by mapping it onto an  $n$ -dimensional cube. We can illustrate this representation by first introducing some simple examples of cubes.

#### Two-Dimensional Cube

A two-dimensional cube is shown in Figure 8.16. The four corners in the cube are called *vertices*, which correspond to the four rows of a truth table. Each vertex is identified by two coordinates. The horizontal coordinate is assumed to correspond to variable  $x_1$ , and vertical coordinate to  $x_2$ . Thus vertex 00 is the bottom-left corner, which corresponds to row 0 in the truth table. Vertex 01 is the top-left corner, where  $x_1 = 0$  and  $x_2 = 1$ , which corresponds to row 1 in the truth table, and so on for the other two vertices.

We will map a function onto the cube by indicating with blue circles those vertices for which  $f = 1$ . In Figure 8.16  $f = 1$  for vertices 01, 10, and 11. We can express the function as a set of vertices, using the notation  $f = \{01, 10, 11\}$ . The function  $f$  is also shown in the form of a truth table in the figure.

An edge joins two vertices for which the labels differ in the value of only one variable. Therefore, if two vertices for which  $f = 1$  are joined by an edge, then this edge represents that portion of the function just as well as the two individual vertices. For example,  $f = 1$  for vertices 10 and 11. They are joined by the edge that is labeled  $1x$ . It is customary to use the letter  $x$  to denote the fact that the corresponding variable can be either 0 or 1. Hence  $1x$  means that  $x_1 = 1$ , while  $x_2$  can be either 0 or 1. Similarly, vertices 01 and 11 are joined by the edge labeled  $x1$ , indicating that  $x_1$  can be either 0 or 1, but  $x_2 = 1$ . The reader must



**Figure 8.16** Representation of  $f(x_1, x_2) = \sum m(1, 2, 3)$ .

not confuse the use of the letter  $x$  for this purpose, in contrast to the subscripted use where  $x_1$  and  $x_2$  refer to the variables.

Two vertices being represented by a single edge is the embodiment of the combining property 14a from Section 2.5. The edge  $1x$  is the logical OR of vertices 10 and 11. It essentially defines the term  $x_1$ , which is the sum of minterms  $x_1\bar{x}_2$  and  $x_1x_2$ . The property 14a indicates that

$$x_1\bar{x}_2 + x_1x_2 = x_1$$

Therefore, finding edges for which  $f = 1$  is equivalent to applying the combining property. Of course, this is also analogous to finding pairs of adjacent cells in a Karnaugh map for which  $f = 1$ .

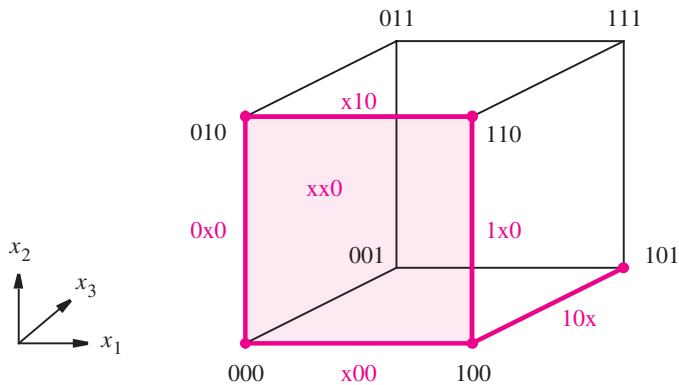
The edges  $1x$  and  $x1$  define fully the function in Figure 8.16; hence we can represent the function as  $f = \{1x, x1\}$ . This corresponds to the logic expression

$$f = x_1 + x_2$$

which is also obvious from the truth table in the figure.

### Three-Dimensional Cube

Figure 8.17 illustrates a three-dimensional cube. The  $x_1$ ,  $x_2$ , and  $x_3$  coordinates are shown on the left. Each vertex is identified by a specific valuation of the three variables. The function  $f$  mapped onto the cube is the function from Figure 2.48, which was used in Figure 2.52b. There are five vertices for which  $f = 1$ , namely, 000, 010, 100, 101, and 110. These vertices are joined by the five edges shown in blue, namely,  $x00$ ,  $0x0$ ,  $x10$ ,  $1x0$ , and  $10x$ . Because the vertices 000, 010, 100, and 110 include all valuations of  $x_1$  and  $x_2$ , when  $x_3$  is 0, they can be specified by the term  $xx0$ . This term means that  $f = 1$  if  $x_3 = 0$ , regardless of the values of  $x_1$  and  $x_2$ . Notice that  $xx0$  represents the front side of the cube, which is shaded in blue.



**Figure 8.17** Representation of  $f(x_1, x_2, x_3) = \sum m(0, 2, 4, 5, 6)$ .



From the preceding discussion it is evident that the function  $f$  can be represented in several ways. Some of the possibilities are

$$\begin{aligned} f &= \{000, 010, 100, 101, 110\} \\ &= \{0x0, 1x0, 101\} \\ &= \{x00, x10, 101\} \\ &= \{x00, x10, 10x\} \\ &= \{xx0, 10x\} \end{aligned}$$

In a physical realization each of the above terms is a product term implemented by an AND gate. Obviously, the minimum-cost circuit is obtained if  $f = \{xx0, 10x\}$ , which is equivalent to the logic expression

$$f = \bar{x}_3 + x_1\bar{x}_2$$

This is the expression that we derived using the Karnaugh map in Figure 2.52*b*.

#### Four-Dimensional Cube

Graphical images of two- and three-dimensional cubes are easy to draw. A four-dimensional cube is more difficult. It consists of 2 three-dimensional cubes with their corners connected. A simple way to visualize a four-dimensional cube is to have one cube placed inside the other cube, as depicted in Figure 8.18. We have assumed that the  $x_1$ ,  $x_2$ , and  $x_3$  coordinates are the same as in Figure 8.17, while  $x_4 = 0$  defines the outer cube and  $x_4 = 1$  defines the inner cube. Figure 8.18 indicates how the function  $f_3$  of Figure 2.54 is mapped onto the four-dimensional cube. To avoid cluttering the figure with too many labels, we have labeled only those vertices for which  $f_3 = 1$ . Again, all edges that connect these vertices are highlighted in blue.

There are two groups of four adjacent vertices for which  $f_3 = 1$  that can be represented as planes. The group comprising 0000, 0010, 1000, and 1010 is represented by  $x0x0$ . The group 0010, 0011, 0110, and 0111 is represented by  $0x1x$ . These planes are shaded in the figure. The function  $f_3$  can be represented in several ways, for example

$$\begin{aligned} f_3 &= \{0000, 0010, 0011, 0110, 0111, 1000, 1010, 1111\} \\ &= \{00x0, 10x0, 0x10, 0x11, x111\} \\ &= \{x0x0, 0x1x, x111\} \end{aligned}$$

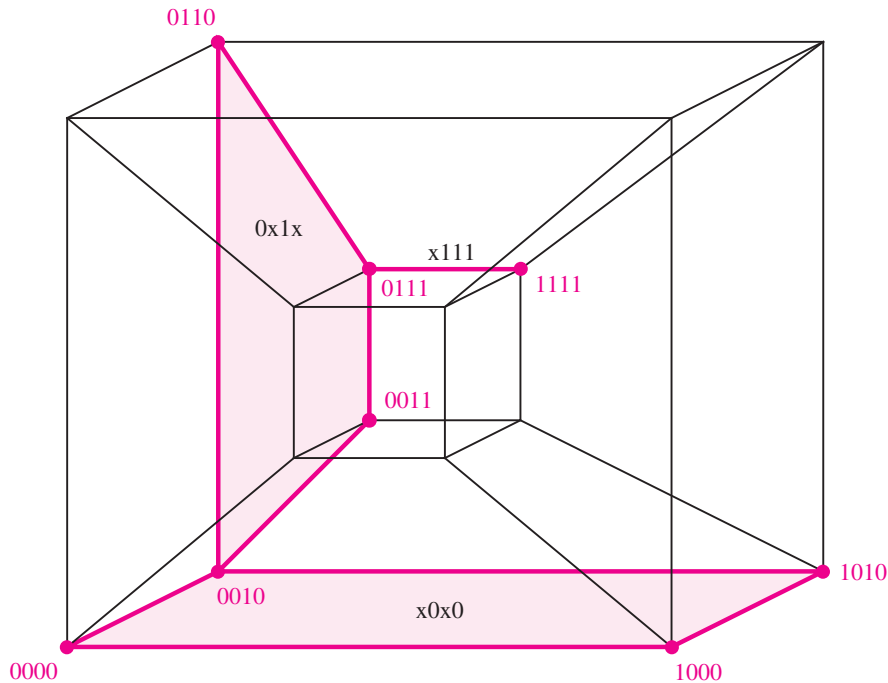
Since each  $x$  indicates that the corresponding variable can be ignored, because it can be either 0 or 1, the simplest circuit is obtained if  $f = \{x0x0, 0x1x, x111\}$ , which is equivalent to the expression

$$f_3 = \bar{x}_2\bar{x}_4 + \bar{x}_1x_3 + x_2x_3x_4$$

We derived the same expression in Figure 2.54.

#### $n$ -Dimensional Cube

A function that has  $n$  variables can be mapped onto an  $n$ -dimensional cube. Although it is impractical to draw graphical images of cubes that have more than four variables, it



**Figure 8.18** Representation of function  $f_3$  from Figure 2.54

is not difficult to extend the ideas introduced above to a general  $n$ -variable case. Because visual interpretation is not possible and because we normally use the word *cube* only for a three-dimensional structure, many people use the word *hypercube* to refer to structures with more than three dimensions. We will continue to use the word *cube* in our discussion.

It is convenient to refer to a cube as being of a certain *size* that reflects the number of vertices in the cube. Vertices have the smallest size. Each variable has a value of 0 or 1 in a vertex. A cube that has an  $x$  in one variable position is larger because it consists of two vertices. For example, the cube  $1x01$  consists of vertices  $1001$  and  $1101$ . A cube that has two  $x$ 's consists of four vertices, and so on. A cube that has  $k$   $x$ 's consists of  $2^k$  vertices.

An  $n$ -dimensional cube has  $2^n$  vertices. Two vertices are adjacent if they differ in the value of only one coordinate. Because there are  $n$  coordinates (axes in the  $n$ -dimensional cube), each vertex is adjacent to  $n$  other vertices. The  $n$ -dimensional cube contains cubes of lower dimensionality. Cubes of the lowest dimension are vertices. Because their dimension is zero, we will call them *0-cubes*. Edges are cubes of dimension 1; hence we will call them *1-cubes*. A side of a three-dimensional cube is a *2-cube*. An entire three-dimensional cube is a *3-cube*, and so on. In general, we will refer to a set of  $2^k$  adjacent vertices as a *k-cube*.

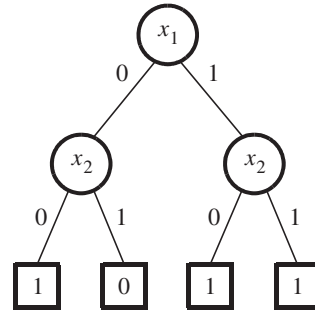
From the examples in Figures 8.17 and 8.18, it is apparent that the largest possible *k-cubes* that exist for a given function are equivalent to its prime implicants. In Section 8.4 we will discuss minimization techniques that use the cubical representation of functions.

### 8.3.2 BINARY DECISION DIAGRAMS

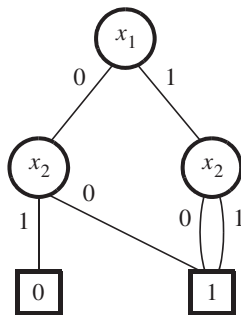
Binary decision diagrams (BDDs) represent logic functions in the form of a graph. BDDs are attractive for use in CAD tools because a logic function can be represented as a BDD without requiring a lot of memory space. To illustrate how we can derive a BDD for a function  $f$ , consider the two-variable truth table shown in Figure 8.19a. A graph that corresponds to this truth table is given in part (b) of the figure in the form of a *decision tree*. The circular nodes in this tree represent the input variables  $x_1$  and  $x_2$ . The node  $x_1$  is the root of the tree. Each node has two associated edges. For a node  $x_i$  the edge labeled 0 represents  $x_i = 0$ , and the edge labeled 1 corresponds to  $x_i = 1$ . The square nodes are the *terminal* nodes of the tree. Each terminal node specifies whether  $f = 0$  or  $f = 1$ . Each path from the root node to a terminal node corresponds to a row in the truth table. For example, the top row of the truth table in Figure 8.19a has  $x_1 = x_2 = 0$  and  $f = 1$ . In the decision tree

$x_1$	$x_2$	$f$
0	0	1
0	1	0
1	0	1
1	1	1

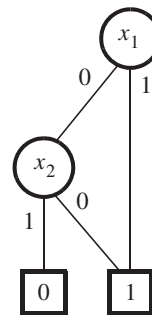
(a) Truth table



(b) Decision tree



(c) Reducing nodes



(d) BDD

**Figure 8.19** Derivation of a binary decision diagram (BDD).

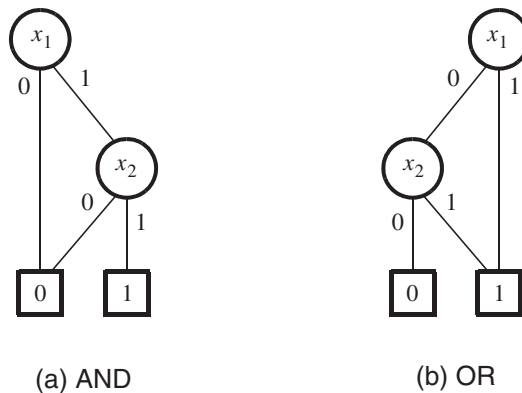
the corresponding path starts at the node  $x_1$ , follows the edge labeled 0 to the subsequent node  $x_2$ , and then follows the edge labeled 0 to the terminal node 1.

The decision tree is not an efficient way of representing a logic function, because the size of the tree doubles with each input variable. But we can reduce the number of nodes in the tree as illustrated in Figure 8.19c. Here, we have merged identical terminal nodes such that there is only one terminal node representing each of the values 0 and 1. We can then recognize that the node  $x_2$  on the righthand side of the tree is redundant and can be removed, because both of its edges lead to the same subsequent node. After all identical nodes and redundant nodes have been removed from the decision tree, the resulting tree is referred to in the technical literature as a *binary decision diagram* (BDD). A BDD for the truth table in Figure 8.19a is given in Figure 8.19d. It provides a compact representation of the logic function, and can also be used to provide a low-cost implementation. In Figure 8.19d we can see that  $f$  has the value 1 if  $x_1 = 1$  or if  $x_1 = 0$  and  $x_2 = 0$ . Hence, we can write  $f = x_1 + \bar{x}_1\bar{x}_2 = x_1 + \bar{x}_2$ . In general, a BDD can be used to provide various implementations of a function, which may be in either two-level or multilevel form.

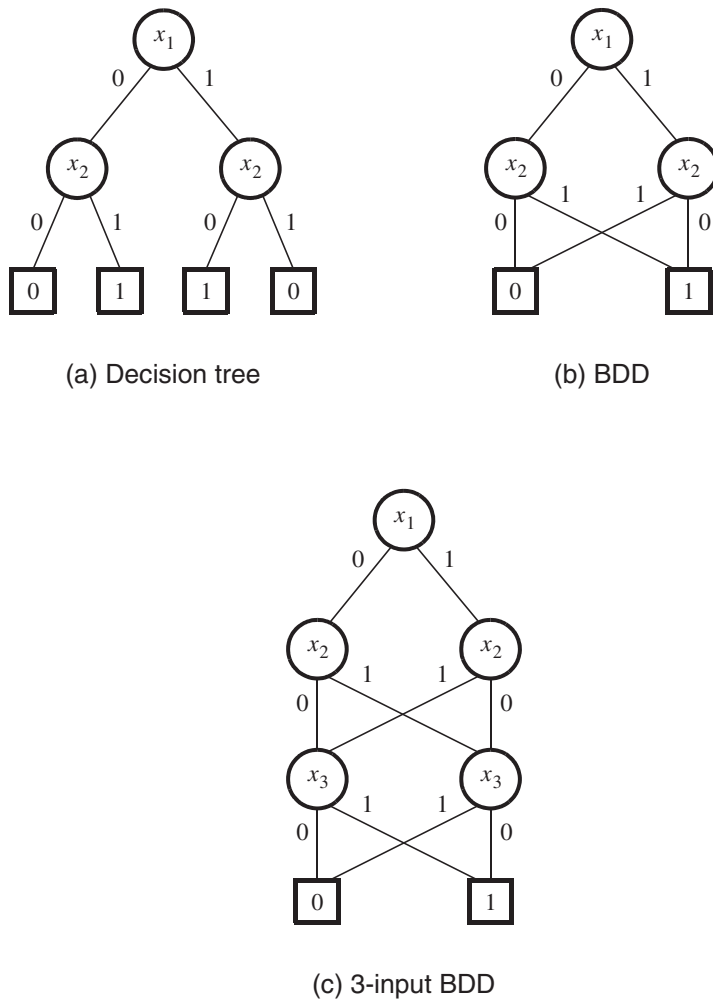
Examples of BDDs for the logical AND and OR functions are given in Figure 8.20. Part (a) of the figure represents the function  $f = x_1x_2$  and part (b) represents  $f = x_1 + x_2$ . It is easy to extend these BDDs to represent larger AND and OR functions. Figure 8.21 shows how we can derive BDDs for XOR functions. Part (a) gives a decision tree for the function  $f = x_1 \oplus x_2$ . When identical terminal nodes in the decision tree are merged, no redundant nodes are created. The resulting BDD is shown in part (b) of the figure. Part (c) shows how this BDD can be extended to represent the three-input XOR function  $f = x_1 \oplus x_2 \oplus x_3$ . Note that the terminal node 1 is reached from the root node  $x_1$  by following paths on which the total number of edges labeled 1 is odd, as required for the XOR function.

### Derivation of BDDs using Shannon's Expansion

As shown in Figures 8.19 and 8.21, it is possible to derive a BDD by removing redundant nodes and merging identical nodes in a decision tree. Although this method can be used for any logic function, it is tedious when the function has more than a few input variables.



**Figure 8.20** BDDs for the AND and OR functions.



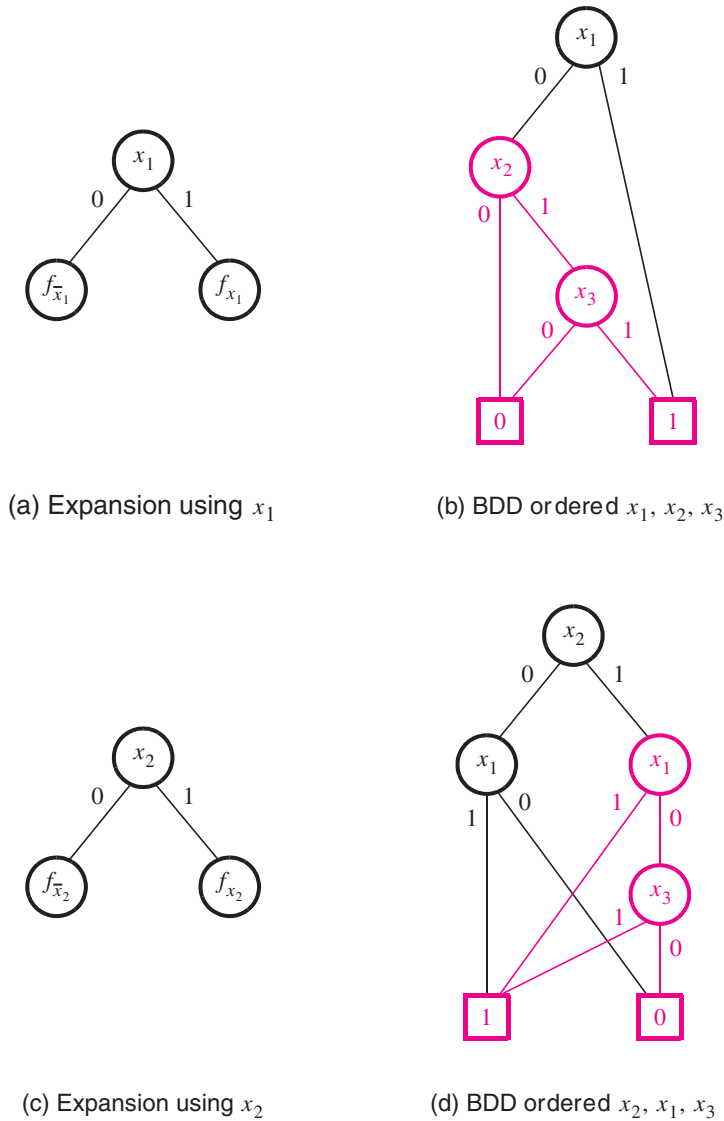
**Figure 8.21** Derivation of BDDs for XOR functions.

Another way of deriving a BDD is to make use of Shannon's expansion theorem, which we introduced in Section 4.1.2. Recall that Shannon's expansion states that any Boolean function  $f(x_1, x_2, \dots, x_i, \dots, x_n)$  can be written in the form

$$f(x_1, x_2, \dots, x_i, \dots, x_n) = \bar{x}_i f_{\bar{x}_i} + x_i f_{x_i}$$

where  $f_{\bar{x}_i} = f(x_1, x_2, \dots, 0, \dots, x_n)$  and  $f_{x_i} = f(x_1, x_2, \dots, 1, \dots, x_n)$ .

Consider the function  $f = x_1 + x_2 x_3$ . Shannon's expansion with respect to the input  $x_1$  gives  $f = \bar{x}_1 f_{\bar{x}_1} + x_1 f_{x_1}$ , which can be represented using the graph in Figure 8.22a. The cofactors  $f_{\bar{x}_1}$  and  $f_{x_1}$  can be evaluated as follows:



**Figure 8.22** Derivation of BDDs for  $f = x_1 + x_2x_3$ .

$$f_{\bar{x}_1} = 0 + x_2x_3 = x_2x_3$$

$$f_{x_1} = 1 + x_2x_3 = 1$$

We can now derive our BDD as shown in Figure 8.22b. The subfunction  $f_{\bar{x}_1} = x_2x_3$ , which is highlighted in a blue color, uses the BDD for the two-input AND function that we showed in Figure 8.20a.

A useful property of BDDs is that for a given order of the input variables there is only one possible BDD. Using the terminology from Chapter 2, this means that for a given order of the inputs a BDD is a canonical representation of the function. However, we should consider the effect on a BDD if we change the order of variables. Figure 8.22c corresponds to the Shannon’s expansion of  $f$  using the order  $x_2, x_1, x_3$ . Now, node  $x_2$  is the root of the tree and its edges point to the cofactors of  $f$  with respect to  $x_2$ . We have

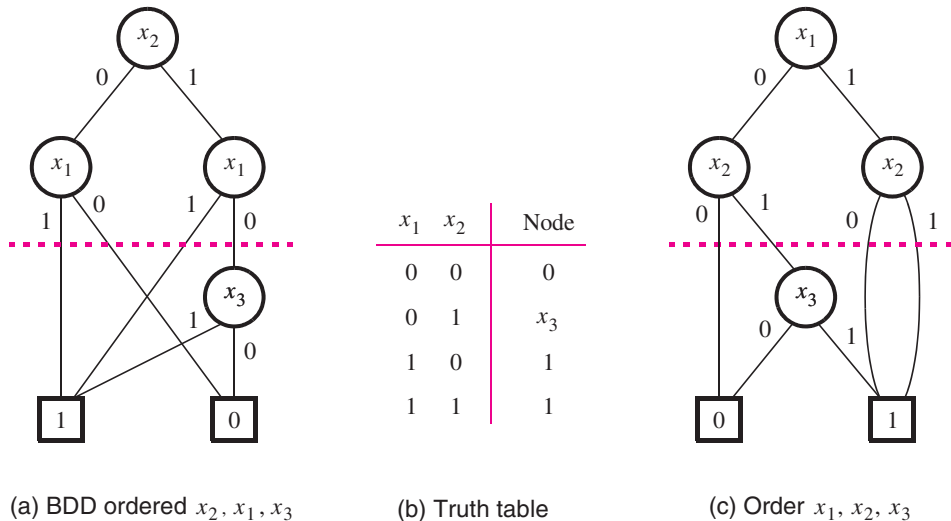
$$f_{x_2} = x_1 + 0 \cdot x_3 = x_1$$

$$f_{\bar{x}_2} = x_1 + 1 \cdot x_3 = x_1 + x_3$$

These expressions lead to the BDD in Figure 8.22d. The edge labeled 0 from node  $x_2$  points to the subfunction  $x_1$ . The edge labeled 1 from node  $x_2$  points to the subfunction  $x_1 + x_3$ , which is highlighted in blue. This subfunction uses the same BDD that we showed for the two-input OR function in Figure 8.20b.

Comparing the BDDs in parts (b) and (d) of Figure 8.22, we see that the complexity of a BDD for a given function can be affected by the order of variables. In Figure 8.22b there are five nodes in the BDD, while in Figure 8.22d there are six nodes. CAD tools that implement BDDs usually employ heuristic techniques which attempt to find a good order of the input variables when deriving BDDs.

**Example 8.10** Assume that we are given the BDD in Figure 8.22d, and that we wish to determine the effect on this BDD of swapping the positions of nodes  $x_1$  and  $x_2$ , so that  $x_1$  becomes the root of the BDD. The swapping operation can be performed as indicated in Figure 8.23. The first step



**Figure 8.23** Reordering the nodes in a BDD.

is to isolate the nodes  $x_1$  and  $x_2$  from the rest of the BDD, as shown by the dotted blue line in Figure 8.23a. Then, we enumerate the valuations of the inputs  $x_1$  and  $x_2$  on each path that crosses this boundary, and determine which successor node is reached. The truth table in Figure 8.23b provides the required information. It shows that the path with  $x_1x_2 = 00$  leads to the terminal node 0, the path with  $x_1x_2 = 01$  leads to node  $x_3$ , and the remaining paths lead to the terminal node 1. We can now create the diagram shown in part (c) of the figure, ensuring that all combinations of  $x_1x_2$  lead to the correct successor nodes. We now remove the redundant node  $x_2$  on the righthand side of the diagram, leading to the BDD in Figure 8.22b.

**Example 8.11** Consider the SOP expression  $f = x_1x_3 + x_1x_4 + x_2x_4 + x_2x_3 + \bar{x}_1\bar{x}_2x_3x_4$ . We wish to create a BDD for this function with the input order  $x_1, x_2, x_3, x_4$ . The first step is to use Shannon's expansion with respect to input  $x_1$ , which is  $f = \bar{x}_1f_{\bar{x}_1} + x_1f_{x_1}$ . The cofactors are

$$\begin{aligned} f_{\bar{x}_1} &= 0 \cdot x_3 + 0 \cdot x_4 + x_2x_4 + x_2x_3 + 1 \cdot \bar{x}_2x_3x_4 \\ &= x_2x_4 + x_2x_3 + \bar{x}_2x_3x_4 \\ f_{x_1} &= 1 \cdot x_3 + 1 \cdot x_4 + x_2x_4 + x_2x_3 + 0 \cdot \bar{x}_2x_3x_4 \\ &= x_3 + x_4 + x_2x_4 + x_2x_3 = x_3 + x_4 \end{aligned}$$

For the cofactor  $f_{x_1} = x_3 + x_4$  we can use the BDD from Figure 8.20b. But for the cofactor  $f_{\bar{x}_1} = x_2x_4 + x_2x_3 + \bar{x}_2x_3x_4$  it is useful to apply Shannon's expansion again, with respect to input  $x_2$ . This gives

$$\begin{aligned} f_{\bar{x}_1\bar{x}_2} &= 0 \cdot x_4 + 0 \cdot x_3 + 1 \cdot x_3x_4 = x_3x_4 \\ f_{\bar{x}_1x_2} &= 1 \cdot x_4 + 1 \cdot x_3 + 0 \cdot x_3x_4 = x_3 + x_4 \end{aligned}$$

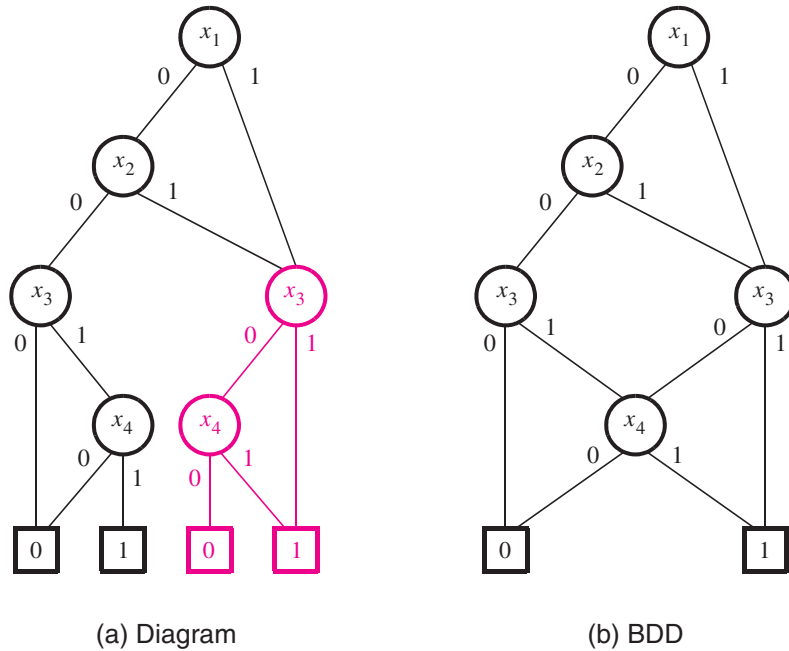
Now, we can use the BDDs in parts (a) and (b) of Figure 8.20 for the cofactors  $f_{\bar{x}_1\bar{x}_2}$  and  $f_{\bar{x}_1x_2}$ , respectively. The above steps lead to the diagram in Figure 8.24a, where the BDD for the subfunction  $x_3 + x_4$  is highlighted in blue. This subfunction is used for both the cofactor  $f_{x_1}$ , which is reached when  $x_1 = 1$ , and the cofactor  $f_{\bar{x}_1x_2}$ , which is reached when  $x_1 = 0$  and  $x_2 = 1$ . The BDD for the subfunction  $x_3x_4$  is shown on the lefthand side of Figure 8.24a. This subfunction is used for the cofactor  $f_{\bar{x}_1\bar{x}_2}$  and is reached when  $x_1 = x_2 = 0$ .

Merging the identical terminal nodes in the graph in Figure 8.24a, and also merging the two identical copies of node  $x_4$ , leads to the BDD shown in Figure 8.24b. Since this BDD specifies that  $f$  is defined by the subfunction  $x_3 + x_4$  when  $x_1 = 1$  or  $x_2 = 1$ , and  $f$  is defined by the subfunction  $x_3x_4$  when  $x_1 = x_2 = 0$ , then we can write the multilevel expression

$$f = (x_1 + x_2) \cdot (x_3 + x_4) + \bar{x}_1\bar{x}_2(x_3x_4)$$

It is easy to see how this expression relates to the SOP form above.





**Figure 8.24** Derivation of a BDD for the function in Example 8.11.

### Practical use of BDDs

We have presented only a few introductory concepts related to BDDs, in an attempt to give the reader an appreciation for this method of representing logic functions. More detailed information can be found in various references, including [7–10]. The BDD concept has been implemented in a number of software programs that are available through the internet. These programs are often referred to as *BDD packages*. They provide many useful functions, including the ability to create BDDs for logic functions, reorder the inputs to optimize these BDDs, and perform logical operations using BDDs. Although a detailed discussion of these BDD packages is beyond the scope of this book, the user is encouraged to search for available packages and experiment with the provided functionality. Two popular packages that are often included as part of CAD tools for logic synthesis are called BuDDy [11] and CUDD [12].

## 8.4 OPTIMIZATION TECHNIQUES BASED ON CUBICAL REPRESENTATION

In this section we introduce optimization techniques that utilize the cubical representation for logic functions. Cubical representation is well suited for implementation of minimization algorithms that can be programmed and run efficiently on computers. Such algorithms

are included in modern CAD tools. While the CAD tools can be used effectively without detailed knowledge of how their minimization algorithms are implemented, the reader may find it interesting to gain some insight into how this may be accomplished.

### 8.4.1 A TABULAR METHOD FOR MINIMIZATION

A tabular approach for minimization was proposed in the 1950s by Willard Quine [5] and Edward McCluskey [6]. It became popular under the name *Quine-McCluskey method*. While it is not efficient enough to be used in modern CAD tools, it is a simple method that illustrates the key issues. We will present it using the cubical notation discussed in Section 8.3.

#### Generation of Prime Implicants

As mentioned in Section 8.3, the prime implicants of a given logic function  $f$  are the largest possible  $k$ -cubes for which  $f = 1$ . For incompletely specified functions, which include a set of don't-care vertices, the prime implicants are the largest  $k$ -cubes for which either  $f = 1$  or  $f$  is unspecified.

Assume that the initial specification of  $f$  is given in terms of minterms for which  $f = 1$ . Also, let the don't-cares be specified as minterms. This allows us to create a list of vertices for which either  $f = 1$  or it is a don't-care condition. We can compare these vertices in pairwise fashion to see if they can be combined into larger cubes. Then we can attempt to combine these new cubes into still larger cubes and continue the process until we find the prime implicants.

The basis of the method is the combining property of Boolean algebra

$$x_i x_j + x_i \bar{x}_j = x_i$$

If we have two cubes that are identical in all variables (coordinates) except one, for which one cube has the value 0 and the other has 1, then these cubes can be combined into a larger cube. For example, consider  $f(x_1, \dots, x_4) = \{1000, 1001, 1010, 1011\}$ . The cubes 1000 and 1001 differ only in variable  $x_4$ ; they can be combined into a new cube 100x. Similarly, 1010 and 1011 can be combined into 101x. Then we can combine 100x and 101x into a larger cube 10xx, which means that the function can be expressed simply as  $f = x_1 \bar{x}_2$ .

Figure 8.25 shows how we can generate the prime implicants of the function,  $f$ , in Figure 2.58. The function is defined as

$$f(x_1, \dots, x_4) = \sum m(0, 4, 8, 10, 11, 12, 13, 15)$$

There are no don't-care conditions. Since larger cubes can be generated only from the minterms that differ in just one variable, we can reduce the number of pairwise comparisons by placing the minterms into groups such that the cubes in each group have the same number of 1s, and sort the groups by the number of 1s. Thus, it will be necessary to compare each cube in a given group only with all cubes in the immediately preceding group. In Figure 8.25, the minterms are ordered in this way in list 1. (Note that we indicated the decimal equivalents of the minterms as well, to facilitate our discussion.) The minterms, which are also called 0-cubes as explained in Section 8.3, can be combined into 1-cubes

List 1			List 2			List 3	
0	0 0 0 0	✓	0,4	0 x 0 0	✓	0,4,8,12    x x 0 0	
4	0 1 0 0	✓	0,8	x 0 0 0	✓		
8	1 0 0 0	✓	8,10	1 0 x 0	✓		
10	1 0 1 0	✓	4,12	x 1 0 0	✓		
12	1 1 0 0	✓	8,12	1 x 0 0	✓		
11	1 0 1 1	✓	10,11	1 0 1 x	✓		
13	1 1 0 1	✓	12,13	1 1 0 x	✓		
15	1 1 1 1	✓	11,15	1 x 1 1	✓		
			13,15	1 1 x 1	✓		

**Figure 8.25** Generation of prime implicants for the function in Figure 2.58.

shown in list 2. To make the entries easily understood we indicated the minterms that are combined to form each 1-cube. Next, we check if the 0-cubes are included in the 1-cubes and place a check mark beside each cube that is included. We now generate 2-cubes from the 1-cubes in list 2. The only 2-cube that can be generated is  $xx00$ , which is placed in list 3. Again, the check marks are placed against the 1-cubes that are included in the 2-cube. Since there exists just one 2-cube, there can be no 3-cubes for this function. The cubes in each list without a check mark are the prime implicants of  $f$ . Therefore, the set,  $P$ , of prime implicants is

$$\begin{aligned}
 P &= \{10x0, 101x, 110x, 1x11, 11x1, xx00\} \\
 &= \{p_1, p_2, p_3, p_4, p_5, p_6\}
 \end{aligned}$$

### Determination of a Minimum Cover

Having generated the set of all prime implicants, it is necessary to choose a minimum-cost subset that covers all minterms for which  $f = 1$ . As a simple measure we will assume that the cost is directly proportional to the number of inputs to all gates, which means to the number of literals in the prime implicants chosen to implement the function.

To find a minimum-cost cover, we construct a *prime implicant cover table* in which there is a row for each prime implicant and a column for each minterm that must be covered. Then we place check marks to indicate the minterms covered by each prime implicant. Figure 8.26a shows the table for the prime implicants derived in Figure 8.25. If there is a single check mark in some column of the cover table, then the prime implicant that covers the minterm of this column is *essential* and it must be included in the final cover. Such is the case with  $p_6$ , which is the only prime implicant that covers minterms 0 and 4. The next step is to remove the row(s) corresponding to the essential prime implicants and the column(s) covered by them. Hence we remove  $p_6$  and columns 0, 4, 8, and 12, which leads to the table in Figure 8.26b.

Prime implicant	Minterm							
	0	4	8	10	11	12	13	15
$p_1 = 1\ 0\ x\ 0$			✓	✓				
$p_2 = 1\ 0\ 1\ x$				✓	✓			
$p_3 = 1\ 1\ 0\ x$						✓	✓	
$p_4 = 1\ x\ 1\ 1$					✓			✓
$p_5 = 1\ 1\ x\ 1$							✓	✓
$p_6 = x\ x\ 0\ 0$	✓	✓	✓			✓		

(a) Initial prime implicant cover table

Prime implicant	Minterm			
	10	11	13	15
$p_1$	✓			
$p_2$	✓	✓		
$p_3$			✓	
$p_4$		✓		✓
$p_5$			✓	✓

(b) After the removal of essential prime implicants

Prime implicant	Minterm			
	10	11	13	15
$p_2$	✓	✓		
$p_4$		✓		✓
$p_5$			✓	✓

(c) After the removal of dominated rows

**Figure 8.26** Selection of a cover for the function in Figure 2.58.

Now, we can use the concept of *row dominance* to reduce the cover table. Observe that  $p_1$  covers only minterm 10 while  $p_2$  covers both 10 and 11. We say that  $p_2$  *dominates*  $p_1$ . Since the cost of  $p_2$  is the same as the cost of  $p_1$ , it is prudent to choose  $p_2$  rather than  $p_1$ , so we will remove  $p_1$  from the table. Similarly,  $p_5$  dominates  $p_3$ , hence we will remove  $p_3$  from the table. Thus, we obtain the table in Figure 8.26c. This table indicates that we must choose  $p_2$  to cover minterm 10 and  $p_5$  to cover minterm 13, which also takes care of

covering minterms 11 and 15. Therefore, the final cover is

$$\begin{aligned} C &= \{p_2, p_5, p_6\} \\ &= \{101x, 11x1, xx00\} \end{aligned}$$

which means that the minimum-cost implementation of the function is

$$f = x_1\bar{x}_2x_3 + x_1x_2x_4 + \bar{x}_3\bar{x}_4$$

This is the same expression as the one derived from Figure 2.58.

In this example we used the concept of row dominance to reduce the cover table. We removed the dominated rows because they cover fewer minterms and the cost of their prime implicants is the same as the cost of the prime implicants of the dominating rows. However, a dominated row should not be removed if the cost of its prime implicant is less than the cost of the dominating row's prime implicant.

The tabular method can be used with don't-care conditions as illustrated in the following example.

**Example 8.12** The don't-care minterms are included in the initial list in the same way as the minterms for which  $f = 1$ . Consider the function

$$f(x_1, \dots, x_4) = \sum m(0, 2, 5, 6, 7, 8, 9, 13) + D(1, 12, 15)$$

We encourage the reader to derive a Karnaugh map for this function as an aid in visualizing the derivation that follows. Figure 8.27 depicts the generation of prime implicants, producing the result

$$\begin{aligned} P &= \{00x0, 0x10, 011x, x00x, xx01, 1x0x, x1x1\} \\ &= \{p_1, p_2, p_3, p_4, p_5, p_6, p_7\} \end{aligned}$$

The initial prime implicant cover table is shown in Figure 8.28a. The don't-care minterms are not included in the table because they do not have to be covered. There are no essential prime implicants. Examining this table, we see that column 8 has check marks in the same rows as column 9. Moreover, column 9 has an additional check mark in row  $p_5$ . Hence column 9 dominates column 8. We refer to this as the concept of *column dominance*. When one column dominates another, we can remove the dominating column, which is column 9 in this case. Note that this is in contrast to rows where we remove dominated (rather than dominating) rows. The reason is that when we choose a prime implicant to cover the minterm that corresponds to the dominated column, this prime implicant will also cover the minterm corresponding to the dominating column. In our example, choosing either  $p_4$  or  $p_6$  covers both minterms 8 and 9. Similarly, column 13 dominates column 5, hence column 13 can be deleted.

After removing columns 9 and 13, we obtain the reduced table in Figure 8.28b. In this table row  $p_4$  dominates  $p_6$  and row  $p_7$  dominates  $p_5$ . This means that  $p_5$  and  $p_6$  can be removed, giving the table in Figure 8.28c. Now,  $p_4$  and  $p_7$  are essential to cover minterms 8 and 5, respectively. Thus, the table in Figure 8.28d is obtained, from which it is obvious

List 1	List 2	List 3
0	0 0 0 0	0,1
1	0 0 0 1	0,2
2	0 0 1 0	0,8
8	1 0 0 0	1,5
5	0 1 0 1	2,6
6	0 1 1 0	1,9
9	1 0 0 1	8,9
12	1 1 0 0	8,12
7	0 1 1 1	5,7
13	1 1 0 1	6,7
15	1 1 1 1	5,13
		9,13
		12,13
		7,15
		13,15

**Figure 8.27** Generation of prime implicants for the function in Example 8.12.

that  $p_2$  covers the remaining minterms 2 and 6. Note that row  $p_2$  dominates both rows  $p_1$  and  $p_3$ .

The final cover is

$$C = \{p_2, p_4, p_7\}$$

$$= \{0x10, x00x, x1x1\}$$

and the function is implemented as

$$f = \bar{x}_1x_3\bar{x}_4 + \bar{x}_2\bar{x}_3 + x_2x_4$$

In Figures 8.26 and 8.28, we used the concept of row and column dominance to reduce the cover table. This is not always possible, as illustrated in the following example.

Consider the function

**Example 8.13**

$$f(x_1, \dots, x_4) = \sum m(0, 3, 10, 15) + D(1, 2, 7, 8, 11, 14)$$

The prime implicants for this function are

$$P = \{00xx, x0x0, x01x, xx11, 1x1x\}$$

$$= \{p_1, p_2, p_3, p_4, p_5\}$$

Prime implicant	Minterm							
	0	2	5	6	7	8	9	13
$p_1 = 00x0$	✓	✓						
$p_2 = 0x10$		✓		✓				
$p_3 = 011x$				✓	✓			
$p_4 = x00x$	✓						✓	✓
$p_5 = xx01$			✓				✓	✓
$p_6 = 1x0x$						✓	✓	✓
$p_7 = x1x1$			✓		✓			✓

(a) Initial prime implicant cover table

Prime implicant	Minterm					
	0	2	5	6	7	8
$p_1 = 00x0$	✓	✓				
$p_2 = 0x10$		✓		✓		
$p_3 = 011x$				✓	✓	
$p_4 = x00x$	✓					✓
$p_5 = xx01$			✓			
$p_6 = 1x0x$						✓
$p_7 = x1x1$			✓		✓	

(b) After the removal of columns 9 and 13

Prime implicant	Minterm					
	0	2	5	6	7	8
$p_1$	✓	✓				
$p_2$		✓		✓		
$p_3$				✓	✓	
$p_4$	✓					✓
$p_7$			✓		✓	

(c) After the removal of rows  $p_5$  and  $p_6$ 

Prime implicant	Minterm	
	2	6
$p_1$	✓	
$p_2$	✓	✓
$p_3$		✓

(d) After including  $p_4$  and  $p_7$  in the cover**Figure 8.28** Selection of a cover for the function in Example 8.12.

Prime implicant	Minterm			
	0	3	10	15
$p_1 = 0\ 0\ x\ x$	✓	✓		
$p_2 = x\ 0\ x\ 0$	✓		✓	
$p_3 = x\ 0\ 1\ x$		✓	✓	
$p_4 = x\ x\ 1\ 1$		✓		✓
$p_5 = 1\ x\ 1\ x$			✓	✓

(a) Initial prime implicant cover table

Prime implicant	Minterm	
	0	15
$p_1$	✓	
$p_2$	✓	
$p_4$		✓
$p_5$		✓

(b) After including  $p_3$  in the cover

Prime implicant	Minterm			
	0	3	10	15
$p_1$	✓	✓		
$p_2$	✓		✓	
$p_4$		✓		✓
$p_5$			✓	✓

(c) After excluding  $p_3$  from the cover

**Figure 8.29** Selection of a cover for the function in Example 8.13.

The initial prime implicant cover table is shown in Figure 8.29a. There are no essential prime implicants. Also, there are no dominant rows or columns. Moreover, all prime implicants have the same cost because each of them is implemented with two literals. Thus, the table does not provide any clues that can be used to select a minimum-cost cover.

A good practical approach is to use the concept of *branching*. We can choose any prime implicant, say  $p_3$ , and first choose to include this prime implicant in the final cover. Then



we can determine the rest of the final cover in the usual way and compute its cost. Next we try the other possibility by excluding  $p_3$  from the final cover and determine the resulting cost. We compare the costs and choose the less expensive alternative.

Figure 8.29b gives the cover table that is left if  $p_3$  is included in the final cover. The table does not include minterms 3 and 10 because they are covered by  $p_3$ . The table indicates that a complete cover must include either  $p_1$  or  $p_2$  to cover minterm 0 and either  $p_4$  or  $p_5$  to cover minterm 15. Therefore, a complete cover can be

$$C = \{p_1, p_3, p_4\}$$

The alternative of excluding  $p_3$  leads to the cover table in Figure 8.29c. Here, we see that a minimum-cost cover requires only two prime implicants. One possibility is to choose  $p_1$  and  $p_5$ . The other possibility is to choose  $p_2$  and  $p_4$ . Hence a minimum-cost cover is just

$$\begin{aligned} C_{min} &= \{p_1, p_5\} \\ &= \{00xx, 1x1x\} \end{aligned}$$

The function is realized as

$$f = \bar{x}_1\bar{x}_2 + x_1x_3$$

### Summary of the Tabular Method

The tabular method can be summarized as follows:

1. Starting with a list of cubes that represent the minterms where  $f = 1$  or a don't-care condition, generate the prime implicants by successive pairwise comparisons of the cubes.
2. Derive a cover table which indicates the minterms where  $f = 1$  that are covered by each prime implicant.
3. Include the essential prime implicants (if any) in the final cover and reduce the table by removing both these prime implicants and the covered minterms.
4. Use the concept of row and column dominance to reduce the cover table further. A dominated row is removed only if the cost of its prime implicant is greater than or equal to the cost of the dominating row's prime implicant.
5. Repeat steps 3 and 4 until the cover table is either empty or no further reduction of the table is possible.
6. If the reduced cover table is not empty, then use the branching approach to determine the remaining prime implicants that should be included in a minimum cost cover.

The tabular method illustrates how an algebraic technique can be used to generate the prime implicants. It also shows a simple approach for dealing with the covering problem, to find a minimum-cost cover. The method has some practical limitations. In practice, functions are seldom defined in the form of minterms. They are usually given either in the form of algebraic expressions or as sets of cubes. The need to start the minimization process with a list of minterms means that the expressions or sets have to be expanded into this

form. This list may be very large. As larger cubes are generated, there will be numerous comparisons performed and the computation will be slow. Using the cover table to select the optimal set of prime implicants is also computationally intensive when large functions are involved.

Many algebraic techniques have been developed, which aim to reduce the time that it takes to generate the optimal covers. While most of these techniques are beyond the scope of this book, we will briefly discuss one possible approach in the next section. A reader who intends to use the CAD tools, but is not interested in the details of automated minimization, may skip this section without loss of continuity.

### 8.4.2 A CUBICAL TECHNIQUE FOR MINIMIZATION

Assume that the initial specification of a function  $f$  is given in terms of implicants that are not necessarily either minterms or prime implicants. Then it is convenient to define an operation that will generate other implicants that are not given explicitly in the initial specification, but which will eventually lead to the prime implicants of  $f$ . One such possibility is known as the *\*-product* operation, which is usually pronounced the “star-product” operation. We will refer to it simply as the *\*-operation*.

#### \*-Operation

The *\*-operation* provides a simple way of deriving a new cube by combining two cubes that differ in the value of only one variable. Let  $A = A_1A_2 \cdots A_n$  and  $B = B_1B_2 \cdots B_n$  be two cubes that are implicants of an  $n$ -variable function. Thus each coordinate  $A_i$  and  $B_i$  is specified as having the value 0, 1, or  $x$ . There are two distinct steps in the *\*-operation*. First, the *\*-operation* is evaluated for each pair  $A_i$  and  $B_i$ , in coordinates  $i = 1, 2, \dots, n$ , according to the table in Figure 8.30. Then based on the results of using the table, a set of rules is applied to determine the overall result of the *\*-operation*. The table in Figure 8.30 defines the coordinate *\*-operation*,  $A_i * B_i$ . It specifies the result of  $A_i * B_i$  for each possible combination of values of  $A_i$  and  $B_i$ . This result is the intersection (i.e., the common part) of  $A$  and  $B$  in this coordinate. Note that when  $A_i$  and  $B_i$  have the opposite values (0 and 1, or vice versa), the result of the coordinate *\*-operation* is indicated by the symbol  $\emptyset$ . We say that the intersection of  $A_i$  and  $B_i$  is empty. Using the table, the complete *\*-operation* for  $A$  and  $B$  is defined as follows:

$$C = A * B, \text{ such that}$$

$A_i \backslash B_i$	0	1	$x$	
0	0	$\emptyset$	0	$A_i * B_i$
1	$\emptyset$	1	1	
$x$	0	1	$x$	

**Figure 8.30** The coordinate *\*-operation*.

1.  $C = \emptyset$  if  $A_i * B_i = \emptyset$  for more than one  $i$ .
2. Otherwise,  $C_i = A_i * B_i$  when  $A_i * B_i \neq \emptyset$ , and  $C_i = x$  for the coordinate where  $A_i * B_i = \emptyset$ .

For example, let  $A = \{0x0\}$  and  $B = \{111\}$ . Then  $A_1 * B_1 = 0 * 1 = \emptyset$ ,  $A_2 * B_2 = x * 1 = 1$ , and  $A_3 * B_3 = 0 * 1 = \emptyset$ . Because the result is  $\emptyset$  in two coordinates, it follows from condition 1 that  $A * B = \emptyset$ . In other words, these two cubes cannot be combined into another cube, because they differ in two coordinates.

As another example, consider  $A = \{11x\}$  and  $B = \{10x\}$ . In this case  $A_1 * B_1 = 1 * 1 = 1$ ,  $A_2 * B_2 = 1 * 0 = \emptyset$ , and  $A_3 * B_3 = x * x = x$ . According to condition 2 above,  $C_1 = 1$ ,  $C_2 = x$ , and  $C_3 = x$ , which gives  $C = A * B = \{1xx\}$ . A larger 2-cube is created from two 1-cubes that differ in one coordinate only.

The result of the  $*$ -operation may be a smaller cube than the two cubes involved in the operation. Consider  $A = \{1x1\}$  and  $B = \{11x\}$ . Then  $C = A * B = \{111\}$ . Notice that  $C$  is included in both  $A$  and  $B$ , which means that this cube will not be useful in searching for prime implicants. Therefore, it should be discarded by the minimization algorithm.

As a final example, consider  $A = \{x10\}$  and  $B = \{0x1\}$ . Then  $C = A * B = \{01x\}$ . All three of these cubes are the same size, but  $C$  is not included in either  $A$  or  $B$ . Hence  $C$  has to be considered in the search for prime implicants. The reader may find it helpful to draw a Karnaugh map to see how cube  $C$  is related to cubes  $A$  and  $B$ .

### Using the $*$ -Operation to Find Prime Implicants

The essence of the  $*$ -operation is to find new cubes from pairs of existing cubes. In particular, it is of interest to find new cubes that are not included in the existing cubes. A procedure for finding the prime implicants may be organized as follows.

Suppose that a function  $f$  is specified by means of a set of implicants that are represented as cubes. Let this set be denoted as the cover  $C^k$  of  $f$ . Let  $c^i$  and  $c^j$  be any two cubes in  $C^k$ . Then apply the  $*$ -operation to all pairs of cubes in  $C^k$ ; let  $G^{k+1}$  be the set of newly generated cubes. Hence

$$G^{k+1} = c^i * c^j \text{ for all } c^i, c^j \in C^k$$

Now a new cover for  $f$  may be formed by using the cubes in  $C^k$  and  $G^{k+1}$ . Some of these cubes may be redundant because they are included in other cubes; they should be removed. Let the new cover be

$$C^{k+1} = C^k \cup G^{k+1} - \text{redundant cubes}$$

where  $\cup$  denotes the logical union of two sets, and the minus sign ( $-$ ) denotes the removal of elements of a set. If  $C^{k+1} \neq C^k$ , then a new cover  $C^{k+2}$  is generated using the same process. If  $C^{k+1} = C^k$ , then the cubes in the cover are the prime implicants of  $f$ . For an  $n$ -variable function, it is necessary to repeat the step at most  $n$  times.

Redundant cubes that have to be removed are identified through pairwise comparison of cubes. Cube  $A = A_1A_2 \cdots A_n$  should be removed if it is included in some cube  $B = B_1B_2 \cdots B_n$ , which is the case if  $A_i = B_i$  or  $B_i = x$  for every coordinate  $i$ .

Consider the function  $f(x_1, x_2, x_3)$  of Figure 2.56. Assume that  $f$  is initially specified as a set of vertices that correspond to the minterms,  $m_0, m_1, m_2, m_3,$  and  $m_7$ . Hence let the initial cover be  $C^0 = \{000, 001, 010, 011, 111\}$ . Using the  $*$ -operation to generate a new set of cubes, we obtain  $G^1 = \{00x, 0x0, 0x1, 01x, x11\}$ . Then  $C^1 = C^0 \cup G^1$  – redundant cubes. Observe that each cube in  $C^0$  is included in one of the cubes in  $G^1$ ; therefore, all cubes in  $C^0$  are redundant. Thus  $C^1 = G^1$ .

**Example 8.14**

The next step is to apply the  $*$ -operation to the cubes in  $C^1$ , which yields  $G^2 = \{000, 001, 0xx, 0x1, 010, 01x, 011\}$ . Note that all of these cubes are included in the cube  $0xx$ ; therefore, all but  $0xx$  are redundant. Now it is easy to see that

$$\begin{aligned} C^2 &= C^1 \cup G^2 - \text{redundant terms} \\ &= \{x11, 0xx\} \end{aligned}$$

since all cubes of  $C^1$ , except  $x11$ , are redundant because they are covered by  $0xx$ .

Applying the  $*$ -operation to  $C^2$  yields  $G^3 = \{011\}$  and

$$\begin{aligned} C^3 &= C^2 \cup G^3 - \text{redundant terms} \\ &= \{x11, 0xx\} \end{aligned}$$

Since  $C^3 = C^2$ , the conclusion is that the prime implicants of  $f$  are the cubes  $\{x11, 0xx\}$ , which represent the product terms  $x_2x_3$  and  $\bar{x}_1$ . This is the same set of prime implicants that we derived using a Karnaugh map in Figure 2.56.

Observe that the derivation of prime implicants in this example is similar to the tabular method explained in Section 8.4.1 because the starting point was a function,  $f$ , given as a set of minterms.

As another example, consider the four-variable function of Figure 2.57. Assume that this function is initially specified as the cover  $C^0 = \{0101, 1101, 1110, 011x, x01x\}$ . Then successive applications of the  $*$ -operation and removing the redundant terms gives

**Example 8.15**

$$\begin{aligned} C^1 &= \{x01x, x101, 01x1, x110, 1x10, 0x1x\} \\ C^2 &= \{x01x, x101, 01x1, 0x1x, xx10\} \\ C^3 &= C^2 \end{aligned}$$

Therefore, the prime implicants are  $\bar{x}_2x_3, x_2\bar{x}_3x_4, \bar{x}_1x_2x_4, \bar{x}_1x_3,$  and  $x_3\bar{x}_4$ .

### Determination of Essential Prime Implicants

From a cover that consists of all prime implicants, it is necessary to extract a minimal cover. As we saw in Section 2.12.2, all *essential* prime implicants must be included in the minimal cover. To find the essential prime implicants, it is useful to define an operation that determines a part of a cube (implicant) that is *not* covered by another cube. One such

operation is called the *#-operation* (pronounced the “sharp operation”), which is defined as follows.

**#-Operation**

Again, let  $A = A_1A_2 \cdots A_n$  and  $B = B_1B_2 \cdots B_n$  be two cubes (implicants) of an  $n$ -variable function. The sharp operation  $A\#B$  leaves as a result “that part of  $A$  that is not covered by  $B$ .” Similar to the  $*$ -operation, the  $\#$ -operation has two steps:  $A_i\#B_i$  is evaluated for each coordinate  $i$ , and then a set of rules is applied to determine the overall result. The sharp operation for each coordinate is defined in Figure 8.31. After this operation is performed for all pairs  $(A_i, B_i)$ , the complete  $\#$ -operation is defined as follows:

$$C = A\#B, \text{ such that}$$

1.  $C = A$  if  $A_i\#B_i = \emptyset$  for some  $i$ .
2.  $C = \emptyset$  if  $A_i\#B_i = \varepsilon$  for all  $i$ .
3. Otherwise,  $C = \bigcup_i (A_1, A_2, \dots, \bar{B}_i, \dots, A_n)$ , where the union is for all  $i$  for which  $A_i = x$  and  $B_i \neq x$ .

The first condition corresponds to the case where cubes  $A$  and  $B$  do not intersect at all; namely,  $A$  and  $B$  differ in the value of at least one variable, which means that no part of  $A$  is covered by  $B$ . For example, let  $A = 0x1$  and  $B = 11x$ . The coordinate  $\#$ -products are  $A_1\#B_1 = \emptyset$ ,  $A_2\#B_2 = 0$ , and  $A_3\#B_3 = \varepsilon$ . Then from rule 1 it follows that  $0x1 \# 11x = 0x1$ . The second condition reflects the case where  $A$  is fully covered by  $B$ . For example,  $0x1 \# 0xx = \emptyset$ . The third condition is for the case where only a part of  $A$  is covered by  $B$ . In this case the  $\#$ -operation generates one or more cubes. Specifically, it generates one cube for each coordinate  $i$  that is  $x$  in  $A_i$ , but is not  $x$  in  $B_i$ . Each cube generated is identical to  $A$ , except that  $A_i$  is replaced by  $\bar{B}_i$ . For example,  $0xx \# 01x = 00x$ , and  $0xx \# 010 = \{00x, 0x1\}$ .

We will now show how the  $\#$ -operation can be used to find the essential prime implicants. Let  $P$  be the set of all prime implicants of a given function  $f$ . Let  $p^i$  denote one prime implicant in the set  $P$  and let  $DC$  denote the don't-care vertices for  $f$ . (We use superscripts to refer to different prime implicants in this section because we are using subscripts to refer to coordinate positions in cubes.) Then  $p^i$  is an essential prime implicant if and only if

$$p^i \# (P - p^i) \# DC \neq \emptyset$$

$A_i \backslash B_i$	0	1	x	$A_i \# B_i$
0	$\varepsilon$	$\emptyset$	$\varepsilon$	
1	$\emptyset$	$\varepsilon$	$\varepsilon$	
x	1	0	$\varepsilon$	

**Figure 8.31** The coordinate  $\#$ -operation.

This means that  $p^i$  is essential if there exists at least one vertex for which  $f = 1$  that is covered by  $p^i$ , but not by any other prime implicant. The  $\#$ -operation is also performed with the set of don't-care cubes because vertices in  $p^i$  that correspond to don't-care conditions are not essential to cover. The meaning of  $p^i \# (P - p^i)$  is that the  $\#$ -operation is applied successively to each prime implicant in  $P$ . For example, consider  $P = \{p^1, p^2, p^3, p^4\}$  and  $DC = \{d^1, d^2\}$ . To check whether  $p^3$  is essential, we evaluate

$$(((p^3 \# p^1) \# p^2) \# p^4) \# d^1) \# d^2$$

If the result of this expression is not  $\emptyset$ , then  $p^3$  is essential.

**Example 8.16** In Example 8.14 we determined that the cubes  $x11$  and  $0xx$  are the prime implicants of the function  $f$  in Figure 2.56. We can discover whether each of these prime implicants is essential as follows

$$\begin{aligned} x11 \# 0xx &= 111 \neq \emptyset \\ 0xx \# x11 &= \{00x, 0x0\} \neq \emptyset \end{aligned}$$

The cube  $x11$  is essential because it is the only prime implicant that covers the vertex 111, for which  $f = 1$ . The prime implicant  $0xx$  is essential because it is the only one that covers the vertices 000, 001, and 010. This can be seen in the Karnaugh map in Figure 2.56.

**Example 8.17** In Example 8.15 we found that the prime implicants of the function in Figure 2.57 are  $P = \{x01x, x101, 01x1, 0x1x, xx10\}$ . Because this function has no don't-cares, we compute

$$x01x \# (P - x01x) = 1011 \neq \emptyset$$

This is computed in the following steps:  $x01x \# x101 = x01x$ , then  $x01x \# 01x1 = x01x$ , then  $x01x \# 0x1x = 101x$ , and finally  $101x \# xx10 = 1011$ . Similarly, we obtain

$$\begin{aligned} x101 \# (P - x101) &= 1101 \neq \emptyset \\ 01x1 \# (P - 01x1) &= \emptyset \\ 0x1x \# (P - 0x1x) &= \emptyset \\ xx10 \# (P - xx10) &= 1110 \neq \emptyset \end{aligned}$$

Therefore, the essential prime implicants are  $x01x$ ,  $x101$ , and  $xx10$  because they are the only ones that cover the vertices 1011, 1101, and 1110, respectively. This is obvious from the Karnaugh map in Figure 2.57.

When checking whether a cube  $A$  is essential, the  $\#$ -operation with one of the cubes in  $P - A$  may generate multiple cubes. If so, then each of these cubes has to be checked using the  $\#$ -operation with all of the remaining cubes in  $P - A$ .

### Complete Procedure for Finding a Minimal Cover

Having introduced the  $*$ - and  $\#$ -operations, we can now outline a complete procedure for finding a minimal cover for any  $n$ -variable function. Assume that the function  $f$  is specified in terms of vertices for which  $f = 1$ ; these vertices are often referred to as the *ON-set* of the function. Also, assume that the don't-care conditions are specified as a *DC-set*. Then the initial cover for  $f$  is a union of the ON and DC sets.

Prime implicants of  $f$  can be generated using the  $*$ -operation, and the  $\#$ -operation can be used to find the essential prime implicants. If the essential prime implicants cover the entire ON-set, then they form the minimum-cost cover for  $f$ . Otherwise, it is necessary to include other prime implicants until all vertices in the ON-set are covered.

A nonessential prime implicant  $p^i$  should be deleted if there exists a less-expensive prime implicant  $p^j$  that covers all vertices of the ON-set that are covered by  $p^i$ . If the remaining nonessential prime implicants have the same cost, then a possible heuristic approach is to arbitrarily select one of them, include it in the cover, and determine the rest of the cover. Then an alternative cover is generated by excluding this prime implicant, and the lower-cost cover is chosen for implementation. We already used this approach, which is often referred to as the *branching* heuristic, in Sections 2.12.2 and 8.4.1.

The preceding discussion can be summarized in the form of the following minimization procedure:

1. Let  $C^0 = ON \cup DC$  be the initial cover of function  $f$  and its don't-care conditions.
2. Find all prime implicants of  $C^0$  using the  $*$ -operation; let  $P$  be this set of prime implicants.
3. Find the essential prime implicants using the  $\#$ -operation. A prime implicant  $p^i$  is essential if  $p^i \# (P - p^i) \# DC \neq \emptyset$ . If the essential prime implicants cover all vertices of the ON-set, then these implicants form the minimum-cost cover.
4. Delete any nonessential  $p^i$  that is more expensive (i.e., a smaller cube) than some other prime implicant  $p^j$  if  $p^i \# DC \# p^j = \emptyset$ .
5. Choose the lowest-cost prime implicants to cover the remaining vertices of the ON-set. Use the branching heuristic on the prime implicants of equal cost and retain the cover with the lowest cost.

---

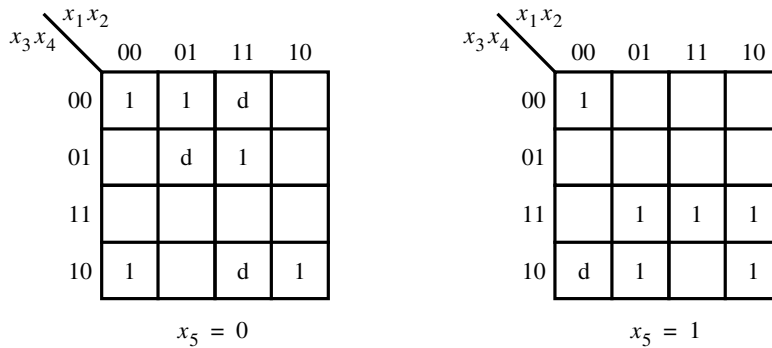
**Example 8.18** To illustrate the minimization procedure, we will use the function

$$f(x_1, x_2, x_3, x_4, x_5) = \sum m(0, 1, 4, 8, 13, 15, 20, 21, 23, 26, 31) + D(5, 10, 24, 28)$$

To help the reader follow the discussion, this function is also shown in the form of a Karnaugh map in Figure 8.32.

Instead of  $f$  being specified in terms of minterms, let us assume that  $f$  is given as the following SOP expression

$$f = \bar{x}_1\bar{x}_3\bar{x}_4\bar{x}_5 + x_1x_2\bar{x}_3x_4\bar{x}_5 + \bar{x}_1\bar{x}_2\bar{x}_3\bar{x}_4x_5 + \bar{x}_1x_2x_3x_5 + x_1\bar{x}_2x_3x_5 + x_1x_3x_4x_5 + \bar{x}_2x_3\bar{x}_4\bar{x}_5$$



**Figure 8.32** The function for Example 8.18.

Also, we will assume that don't-cares are specified using the expression

$$DC = x_1x_2\bar{x}_4\bar{x}_5 + \bar{x}_1x_2\bar{x}_3x_4\bar{x}_5 + \bar{x}_1\bar{x}_2x_3\bar{x}_4x_5$$

Thus, the ON-set expressed as cubes is

$$ON = \{0x000, 11010, 00001, 011x1, 101x1, 1x111, x0100\}$$

and the don't-care set is

$$DC = \{11x00, 01010, 00101\}$$

The initial cover  $C^0$  consists of the ON-set and the DC-set:

$$C^0 = \{0x000, 11010, 00001, 011x1, 101x1, 1x111, x0100, 11x00, 01010, 00101\}$$

Using the \*-operation, the subsequent covers obtained are

$$C^1 = \{0x000, 011x1, 101x1, 1x111, x0100, 11x00, 0000x, 00x00, x1000, 010x0, 110x0, x1010, 00x01, x1111, 0x101, 1010x, x0101, 1x100, 0010x\}$$

$$C^2 = \{0x000, 011x1, 101x1, 1x111, 11x00, x1111, 0x101, 1x100, x010x, 00x0x, x10x0\}$$

$$C^3 = C^2$$

Therefore,  $P = C^2$ .

Using the #-operation, we find that there are two essential prime implicants:  $00x0x$  (because it is the only one that covers the vertex  $00001$ ) and  $x10x0$  (because it is the only one that covers the vertex  $11010$ ). The minterms of  $f$  covered by these two prime implicants are  $m(0, 1, 4, 8, 26)$ .

Next, we find that  $1x100$  can be deleted because the only ON-set vertex that it covers is  $10100$  ( $m_{20}$ ), which is also covered by  $x010x$  and the cost of this prime implicant is lower. Note that having removed  $1x100$ , the prime implicant  $x010x$  becomes essential because none of the other remaining prime implicants covers the vertex  $10100$ . Therefore,  $x010x$  has to be included in the final cover. It covers  $m(20, 21)$ .



There remains to find prime implicants to cover  $m(13, 15, 23, 31)$ . Using the branching heuristic, the lowest-cost cover is obtained by including the prime implicants 011x1 and 1x111. Thus the final cover is

$$C_{\text{minimum}} = \{00x0x, x10x0, x010x, 011x1, 1x111\}$$

The corresponding sum-of-products expression is

$$f = \bar{x}_1\bar{x}_2\bar{x}_4 + x_2\bar{x}_3\bar{x}_5 + \bar{x}_2x_3\bar{x}_4 + \bar{x}_1x_2x_3x_5 + x_1x_3x_4x_5$$

Although this procedure is tedious when performed by hand, it is not difficult to write a computer program to implement the algorithm automatically. The reader should check the validity of our solution by finding the optimal realization from the Karnaugh map in Figure 8.32.

### 8.4.3 PRACTICAL CONSIDERATIONS

The purpose of the above discussion was to give the reader some idea about how minimization of logic functions may be automated for use in CAD tools. We chose a scheme that is not too difficult to explain. From the practical point of view, this scheme has some drawbacks. The main difficulty is that the number of cubes that must be considered in the process can be extremely large.

If the goal of minimization is relaxed so that it is not imperative to find a minimum-cost implementation, then it is possible to derive heuristic techniques that produce good results in reasonable time. A technique of this type forms the basis of the widely used Espresso program, which is available from the University of California at Berkeley via the World Wide Web. Espresso is a two-level optimization program. Both input to the program and its output are specified in the format of cubes. Instead of using the  $*$ -operation to find the prime implicants, Espresso uses an implicant-expansion technique. (See Problem 8.25 for an illustration of the expansion of implicants.) A comprehensive explanation of Espresso is given in [14], while simplified outlines can be found in [2, 13].

The University of California at Berkeley has provided software programs that can be used for design of multilevel circuits, called MIS [15], SIS [16], and ABC [17]. They allow a user to apply various multilevel optimization techniques to a logic circuit. The user can experiment with different optimization strategies by applying techniques such as factoring and decomposition to all or part of a circuit.

Numerous commercial CAD systems are on the market. Some companies whose products are widely used are Altera, Cadence Design Systems, Mentor Graphics, Synopsys, and Xilinx. Information on their products is available on the World Wide Web. Each company provides logic synthesis software that can be used to target various types of chips, such as FPGAs, gate arrays, standard cells, and custom chips. Because there are many possible ways to synthesize a given circuit, as we saw in the previous sections, each commercial product uses a proprietary logic optimization strategy based on heuristic methods.

To describe CAD tools, some new terminology has been invented. In particular, we should mention two terms that are widely used in industry: *technology-independent logic synthesis* and *technology mapping*. The first term refers to techniques that are applied when optimizing a circuit without considering the resources available in the target chip. Most of the techniques presented in this chapter are of this type. The second term, technology mapping, refers to techniques that are used to ensure that the circuit produced by logic synthesis can be realized using the logic resources available in the target chip. A good example of technology mapping is the transformation from a circuit in the form of logic operations such as AND and OR into a circuit that consists of only NAND operations. This type of technology mapping is done when targeting a circuit to a gate array that contains only NAND gates. Another example is the translation from logic operations to lookup tables, which is done when targeting a design to an FPGA.

Chapter 10 discusses the CAD tools in detail. It presents a typical design flow that a designer may use to implement a digital system.

---

## 8.5 CONCLUDING REMARKS

This chapter has attempted to provide the reader with an understanding of various aspects of synthesis for logic functions. In the next chapter we discuss asynchronous sequential circuits. In the design of these circuits we will make use of many of the synthesis techniques covered in the previous chapters, as well as the cubical notation that we introduced in this chapter.

---

## 8.6 EXAMPLES OF SOLVED PROBLEMS

This section presents some typical problems that the reader may encounter, and shows how such problems can be solved.

---

**Problem:** Consider the four-input logic function

**Example 8.19**

$$f = x_1x_2x_4 + x_2x_3\bar{x}_4 + \bar{x}_1\bar{x}_2\bar{x}_3$$

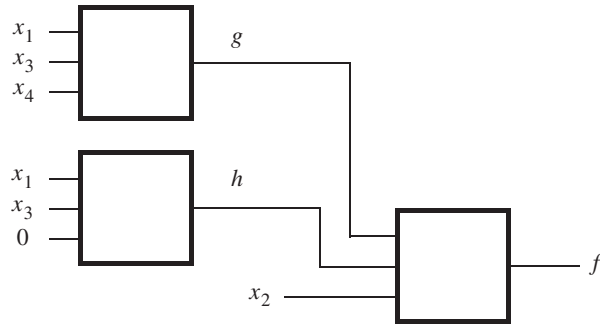
Show how this function can be implemented in an FPGA that has three-input LUTs.

**Solution:** A straightforward implementation requires 4 three-input LUTs. Three of these LUTs are used for the AND operations, and the final LUT implements the OR operation. But, if the function is synthesized as

$$f = x_2 \cdot (x_1x_4 + x_3\bar{x}_4) + \bar{x}_2 \cdot (\bar{x}_1\bar{x}_3)$$

then only three LUTs are needed, as illustrated in Figure 8.33. The first LUT produces the subfunction  $g = x_1x_4 + x_3\bar{x}_4$ , the second LUT generates  $h = \bar{x}_1\bar{x}_3$ , and the final LUT produces  $f = x_2 \cdot g + \bar{x}_2 \cdot h$ .

---



**Figure 8.33** The function in Example 8.19.

**Example 8.20 Problem:** In Example 8.11 we created a BDD for the function  $f = x_1x_3 + x_1x_4 + x_2x_4 + x_2x_3 + \bar{x}_1\bar{x}_2x_3x_4$ . Use functional decomposition to derive a multilevel implementation of  $f$ . Consider subfunctions of the inputs  $x_3$  and  $x_4$ .

**Solution:** Figure 8.34 shows  $f$  in the form of a Karnaugh map. It has the subfunction  $h = x_3x_4$  in the first column, and the subfunction  $g = x_3 + x_4$  in the second, third, and fourth columns. Hence

$$\begin{aligned} f &= (\bar{x}_1\bar{x}_2) \cdot h + (\bar{x}_1x_2 + x_1x_2 + x_1\bar{x}_2) \cdot g \\ &= (\bar{x}_1\bar{x}_2) \cdot x_3x_4 + (x_1 + x_2) \cdot (x_3 + x_4) \end{aligned}$$

This is the same expression that was derived from the BDD in Example 8.11. It is possible to simplify this expression. Let  $k = (x_1 + x_2)$ , so that

$$\begin{aligned} f &= \bar{k} \cdot x_3x_4 + k \cdot (x_3 + x_4) \\ &= \bar{k} \cdot x_3x_4 + k \cdot x_3 + k \cdot x_4 \\ &= \bar{k} \cdot x_3x_4 + k \cdot x_3x_4 + k \cdot x_3 + k \cdot x_4 \\ &= (\bar{k} + k) \cdot x_3x_4 + k \cdot (x_3 + x_4) \\ &= x_3x_4 + k \cdot (x_3 + x_4) \end{aligned}$$

Here, we have used the absorption rule 13a from Section 2.5 to expand  $k \cdot x_3$  into the two terms  $k \cdot x_3x_4 + k \cdot x_3$ , which then leads to a simplification. Resubstituting  $k = (x_1 + x_2)$  gives

$$f = x_3x_4 + (x_1 + x_2) \cdot (x_3 + x_4)$$

We can also derive this decomposition of  $f$  by examining the rows of the Karnaugh map in Figure 8.34 and identifying subfunctions of variables  $x_1$  and  $x_2$ . The second and fourth rows are the subfunction  $k = x_1 + x_2$ , and the third row is the subfunction equal to 1. Thus

	$h$		$g$	
$x_1, x_2$	$00$	$01$	$11$	$10$
$x_3, x_4$	0	0	0	0
00	0	0	0	0
01	0	1	1	1
11	1	1	1	1
10	0	1	1	1

**Figure 8.34** The function for Example 8.20.

$$\begin{aligned}
 f &= (\bar{x}_3x_4 + x_3\bar{x}_4) \cdot k + (x_3x_4) \cdot 1 \\
 &= (\bar{x}_3x_4) \cdot k + (x_3\bar{x}_4) \cdot k + (x_3x_4) \cdot k + x_3x_4 \\
 &= (\bar{x}_3x_4 + x_3\bar{x}_4 + x_3x_4) \cdot k + x_3x_4 \\
 &= (x_3 + x_4) \cdot k + x_3x_4 \\
 &= (x_3 + x_4) \cdot (x_1 + x_2) + x_3x_4
 \end{aligned}$$

---

**Problem:** Show how Shannon's expansion can be used to create a BDD for the function **Example 8.21**  
 $f = x_1x_3 + x_2x_4$ , with the input order  $x_1, x_2, x_3, x_4$ .

**Solution:** Shannon's expansion with respect to  $x_1$  gives  $f = \bar{x}_1f_{\bar{x}_1} + x_1f_{x_1}$ . The cofactors are

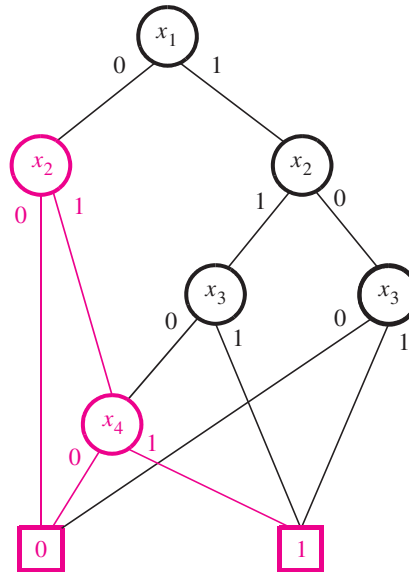
$$\begin{aligned}
 f_{\bar{x}_1} &= 0 \cdot x_3 + x_2x_4 = x_2x_4 \\
 f_{x_1} &= 1 \cdot x_3 + x_2x_4 = x_3 + x_2x_4
 \end{aligned}$$

For the cofactor  $f_{x_1} = x_3 + x_2x_4$  it is useful to apply Shannon's expansion again, with respect to input  $x_2$ . This gives

$$\begin{aligned}
 f_{x_1\bar{x}_2} &= x_3 + 0 \cdot x_4 = x_3 \\
 f_{x_1x_2} &= x_3 + 1 \cdot x_4 = x_3 + x_4
 \end{aligned}$$

The resulting BDD is shown in Figure 8.35. The BDD for  $f_{\bar{x}_1} = x_2x_4$  is highlighted in blue. The BDD for  $f_{x_1}$  is on the righthand side of the figure, with the subfunction  $f_{x_1\bar{x}_2} = x_3$  on the 0-edge from node  $x_2$  and the subfunction for  $f_{x_1x_2} = x_3 + x_4$  on the 1-edge from node  $x_2$ .

---



**Figure 8.35** The BDD for Example 8.21.

**Example 8.22 Problem:** Create a BDD for the function used in Example 8.21 with the input order  $x_1, x_3, x_2, x_4$ .

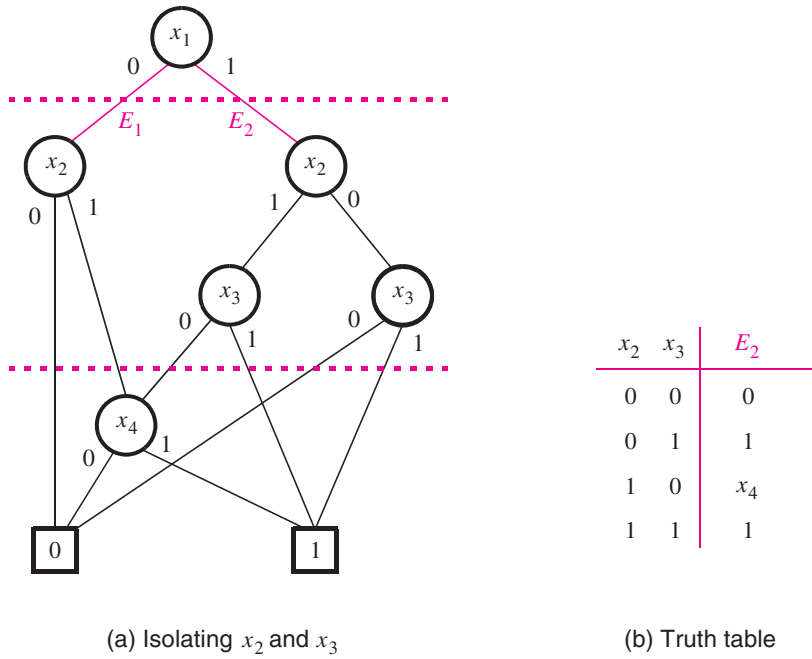
**Solution:** We can derive the BDD by swapping the inputs  $x_2$  and  $x_3$  in the BDD of Figure 8.35. The first step is to isolate the part of the BDD that contains nodes  $x_2$  and  $x_3$ , as shown by the dotted lines in Figure 8.36a. There are two edges, labeled  $E_1$  and  $E_2$ , that enter this part of the BDD. There is no reordering needed for edge  $E_1$ , because it does not depend on node  $x_3$ . But for edge  $E_2$ , it is useful to create the truth table shown in Figure 8.36b to enumerate the paths in the BDD that start at  $E_2$ . The path representing  $x_2x_3 = 00$  leads to the terminal node 0, the path for  $x_2x_3 = 10$  leads to node  $x_4$ , and the remaining two paths lead to the terminal node 1.

We can now create the graph shown in Figure 8.37a, ensuring that all paths from edge  $E_2$  reach the correct destination nodes shown in the truth table. Removing the redundant node  $x_2$  on the righthand side of this graph, and also merging the two remaining identical copies of node  $x_2$ , results in the BDD in Figure 8.37b. This BDD is simpler than the one in Figure 8.35.

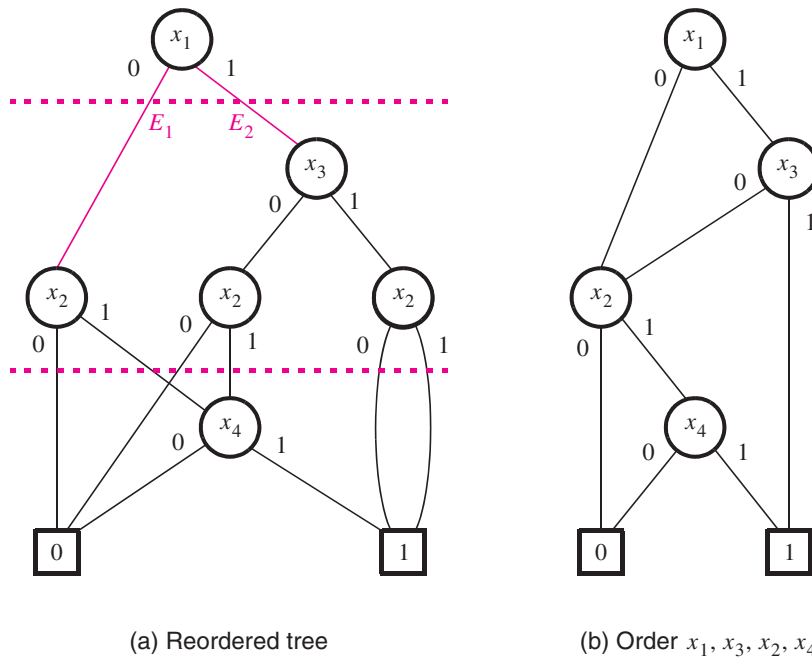
**Example 8.23 Problem:** Use the tabular method of Section 8.4.1 to derive a minimum-cost SOP expression for the function

$$f(x_1, \dots, x_4) = \bar{x}_1\bar{x}_3\bar{x}_4 + x_3x_4 + \bar{x}_1\bar{x}_2x_4 + x_1x_2\bar{x}_3x_4$$

assuming that there are also don't-cares defined as  $D = \sum(9, 12, 14)$ .



**Figure 8.36** Reordering the BDD in Figure 8.35.



**Figure 8.37** The BDD for Example 8.22.

List 1			List 2			List 3		
0	0 0 0 0	✓	0,1	0 0 0 x		1,3,9,11	x 0 x 1	
1	0 0 0 1	✓	0,4	0 x 0 0		3,7,11,15	x x 1 1	
4	0 1 0 0	✓	1,3	0 0 x 1	✓	9,11,13,15	1 x x 1	
3	0 0 1 1	✓	1,9	x 0 0 1	✓	12,13,14,15	1 1 x x	
9	1 0 0 1	✓	4,12	x 1 0 0				
12	1 1 0 0	✓	3,7	0 x 1 1	✓			
7	0 1 1 1	✓	3,11	x 0 1 1	✓			
11	1 0 1 1	✓	9,11	1 0 x 1	✓			
13	1 1 0 1	✓	9,13	1 x 0 1	✓			
14	1 1 1 0	✓	12,13	1 1 0 x	✓			
15	1 1 1 1	✓	12,14	1 1 x 0	✓			
			7,15	x 1 1 1	✓			
			11,15	1 x 1 1	✓			
			13,15	1 1 x 1	✓			
			14,15	1 1 1 x	✓			

**Figure 8.38** Generation of prime implicants for the function in Example 8.23.

**Solution:** The tabular method requires that we start with the function defined in the form of minterms. As found in Figure 2.68, the function  $f$  can also be represented as

$$f(x_1, \dots, x_4) = \sum m(0, 1, 3, 4, 7, 11, 13, 15) + D(9, 12, 14)$$

The corresponding eleven 0-cubes are placed in list 1 in Figure 8.38.

Now, perform a pairwise comparison of all 0-cubes to determine the 1-cubes shown in list 2, which are obtained by combining pairs of 0-cubes. Note that all 0-cubes are included in the 1-cubes, as indicated by the checkmarks in list 1. Next, perform a pairwise comparison of all 1-cubes to obtain the 2-cubes in list 3. Some of these 2-cubes can be generated in multiple ways, but it is not useful to list a 2-cube more than once (for example,  $x0x1$  in list 3 can be obtained by combining from list 2 the cubes 1,3 and 9,11 or by using the cubes 1,9 and 3,11). Note that all but three 1-cubes are included in the 2-cubes. It is not possible to generate any 3-cubes, hence all terms that are not included in some other term (the unchecked terms in list 2 and all terms in list 3) are the prime implicants of  $f$ . The set of prime implicants is

$$\begin{aligned} P &= \{000x, 0x00, x100, x0x1, xx11, 1xx1, 11xx\} \\ &= \{p_1, p_2, p_3, p_4, p_5, p_6, p_7\} \end{aligned}$$

To find the minimum-cost cover for  $f$ , construct the table in Figure 8.39a which shows all prime implicants and the minterms that must be covered, namely those for which  $f = 1$ . A checkmark is placed to indicate that a minterm is covered by a particular prime implicant.

Prime implicant	Minterm							
	0	1	3	4	7	11	13	15
$p_1 = 0\ 0\ 0\ x$	✓	✓						
$p_2 = 0\ x\ 0\ 0$	✓			✓				
$p_3 = x\ 1\ 0\ 0$				✓				
$p_4 = x\ 0\ x\ 1$		✓	✓				✓	
$p_5 = x\ x\ 1\ 1$			✓		✓	✓		✓
$p_6 = 1\ x\ x\ 1$							✓	✓
$p_7 = 1\ 1\ x\ x$								✓

(a) Initial prime implicant cover table

Prime implicant	Minterm			
	0	1	4	13
$p_1 = 0\ 0\ 0\ x$	✓	✓		
$p_2 = 0\ x\ 0\ 0$	✓		✓	
$p_4 = x\ 0\ x\ 1$			✓	
$p_6 = 1\ x\ x\ 1$				✓

(b) After the removal of rows  $p_3$ ,  $p_5$  and  $p_7$ , and columns 3, 7, 11 and 15**Figure 8.39** Selection of a cover for the function in Example 8.23.

Since minterm 7 is covered only by  $p_5$ , this prime implicant must be included in the final cover. Observe that row  $p_2$  dominates row  $p_3$ , hence the latter can be removed. Similarly, row  $p_6$  dominates row  $p_7$ . Removing rows  $p_5$ ,  $p_3$ , and  $p_7$ , as well as columns 3, 7, 11, and 15 (which are covered by  $p_5$ ), leads to the reduced table in Figure 8.39b. In this table,  $p_2$  and  $p_6$  are essential. They cover minterms 0, 4, and 13. Thus, it remains only to cover minterm 1, which can be done by choosing either  $p_1$  or  $p_4$ . Since  $p_4$  has a lower cost, it should be chosen. Therefore, the final cover is

$$\begin{aligned} C &= \{p_2, p_4, p_5, p_6\} \\ &= \{0x00, x0x1, xx11, 1xx1\} \end{aligned}$$

and the function is implemented as

$$f = \bar{x}_1\bar{x}_3\bar{x}_4 + \bar{x}_2x_4 + x_3x_4 + x_1x_4$$



**Example 8.24 Problem:** Use the  $*$ -product operation to find all prime implicants of the function

$$f(x_1, \dots, x_4) = \bar{x}_1\bar{x}_3\bar{x}_4 + x_3x_4 + \bar{x}_1\bar{x}_2x_4 + x_1x_2\bar{x}_3x_4$$

assuming that there are also don't-cares defined as  $D = \sum(9, 12, 14)$ .

**Solution:** The ON-set for this function is

$$\text{ON} = \{0x00, xx11, 00x1, 1101\}$$

The initial cover, consisting of the ON-set and the don't-cares, is

$$C^0 = \{0x00, xx11, 00x1, 1101, 1001, 1100, 1110\}$$

Using the  $*$ -operation, the subsequent covers obtained are

$$C^1 = \{0x00, xx11, 00x1, 000x, x100, 11x1, 10x1, 111x, x001, 1x01, 110x, 11x0\}$$

$$C^2 = \{0x00, xx11, 000x, x100, x0x1, 1xx1, 11xx\}$$

$$C^3 = C^2$$

Therefore, the set of all prime implicants is

$$P = \{\bar{x}_1\bar{x}_3\bar{x}_4, x_3x_4, \bar{x}_1\bar{x}_2\bar{x}_3, x_2\bar{x}_3\bar{x}_4, \bar{x}_2x_4, x_1x_4, x_1x_2\}$$

**Example 8.25 Problem:** Find the minimum-cost implementation for the function

$$f(x_1, \dots, x_4) = \bar{x}_1\bar{x}_3\bar{x}_4 + x_3x_4 + \bar{x}_1\bar{x}_2x_4 + x_1x_2\bar{x}_3x_4$$

assuming that there are also don't-cares defined as  $D = \sum(9, 12, 14)$ .

**Solution:** This is the same function used in Examples 8.23 and 8.24. In those examples, we found that the minimum-cost SOP implementation is

$$f = x_3x_4 + \bar{x}_1\bar{x}_3\bar{x}_4 + \bar{x}_2x_4 + x_1x_4$$

which requires four AND gates, one OR gate, and 13 inputs to the gates, for a total cost of 18.

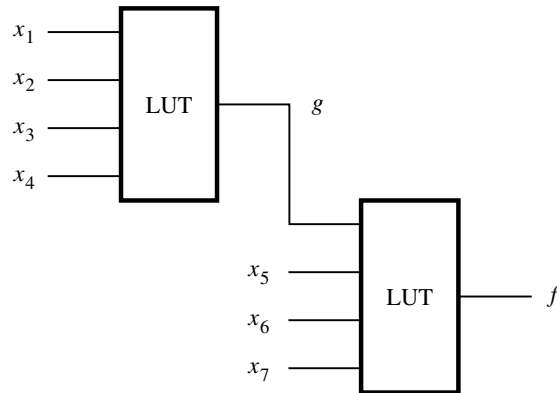
The minimum-cost POS implementation is

$$f = (\bar{x}_3 + x_4)(\bar{x}_1 + x_4)(x_1 + \bar{x}_2 + x_3 + \bar{x}_4)$$

which requires three OR gates, one AND gate, and 11 inputs to the gates, for a total cost of 15.

We can also consider a multilevel realization for the function. Applying the factoring concept to the above SOP expression yields

$$f = (x_1 + \bar{x}_2 + x_3)x_4 + \bar{x}_1\bar{x}_3\bar{x}_4$$



**Figure 8.40** Circuit for Example 8.26.

This implementation requires two AND gates, two OR gates, and 10 inputs to the gates, for a total cost of 14. Compared to the SOP and POS implementations, this has the lowest cost in terms of gates and inputs, but it results in a slower circuit because there are three levels of gates through which the signals must propagate.

**Problem:** In several commercial FPGAs the logic blocks are four-input LUTs. Two such LUTs, connected as shown in Figure 8.40, can be used to implement functions of seven variables by using the decomposition

**Example 8.26**

$$f(x_1, \dots, x_7) = f[g(x_1, \dots, x_4), x_5, x_6, x_7]$$

It is easy to see that functions such as  $f = x_1x_2x_3x_4x_5x_6x_7$  and  $f = x_1 + x_2 + x_3 + x_4 + x_5 + x_6 + x_7$  can be implemented in this form. Show that there exist other seven-variable functions that cannot be implemented with 2 four-input LUTs.

**Solution:** The truth table for a seven-variable function can be arranged as depicted in Figure 8.41. There are  $2^7 = 128$  minterms. Each valuation of the variables  $x_1, x_2, x_3,$  and  $x_4$  selects one of the 16 columns in the truth table, while each valuation of  $x_5, x_6,$  and  $x_7$  selects one of 8 rows. Since we have to use the circuit in Figure 8.40, the truth table for  $f$  can also be defined in terms of the subfunction  $g$ . In this case, it is  $g$  that selects one of the 16 columns in the truth table, instead of  $x_1, x_2, x_3,$  and  $x_4$ . Since  $g$  can have only two possible values, 0 and 1, we can have only two columns in the truth table. This is possible if there exist only two distinct patterns of 1s and 0s in the 16 columns in Figure 8.40. Therefore, only a relatively small subset of seven-variable functions can be realized with just two LUTs.

		$x_1x_2x_3x_4$				
		0000	0001	...	1110	1111
$x_5x_6x_7$	000	$m_0$	$m_8$		$m_{112}$	$m_{120}$
	001	$m_1$	$m_9$		$m_{113}$	$m_{121}$
	010	$m_2$	$m_{10}$		$m_{114}$	$m_{122}$
	011	$m_3$	$m_{11}$	...	$m_{115}$	$m_{123}$
	100	$m_4$	$m_{12}$		$m_{116}$	$m_{124}$
	101	$m_5$	$m_{13}$		$m_{117}$	$m_{125}$
	110	$m_6$	$m_{14}$		$m_{118}$	$m_{126}$
	111	$m_7$	$m_{15}$		$m_{119}$	$m_{127}$

**Figure 8.41** A possible format for truth tables of seven-variable functions.

## PROBLEMS

Answers to problems marked by an asterisk are given at the back of the book.

- \*8.1** Implement the logic circuit in Figure 8.6*b* using NAND gates only.
- \*8.2** Implement the logic circuit in Figure 8.6*b* using NOR gates only.
- 8.3** Implement the logic circuit in Figure 8.8*b* using NAND gates only.
- 8.4** Implement the logic circuit in Figure 8.8*b* using NOR gates only.
- \*8.5** Consider the function  $f = x_3x_5 + \bar{x}_1x_2x_4 + x_1\bar{x}_2\bar{x}_4 + x_1x_3\bar{x}_4 + \bar{x}_1x_3x_4 + \bar{x}_1x_2x_5 + x_1\bar{x}_2x_5$ . Derive a minimum-cost circuit that implements this function using NOT, AND, and OR gates.
- 8.6** Derive a minimum-cost circuit that implements the function  $f(x_1, \dots, x_4) = \sum m(4, 7, 8, 11) + D(12, 15)$ .
- 8.7** Find the simplest realization of the function  $f(x_1, \dots, x_4) = \sum m(0, 3, 4, 7, 9, 10, 13, 14)$ , assuming that the logic gates have a maximum fan-in of two.
- \*8.8** Find the minimum-cost circuit for the function  $f(x_1, \dots, x_4) = \sum m(0, 4, 8, 13, 14, 15)$ . Assume that the input variables are available in uncomplemented form only. (*Hint*: Use functional decomposition.)
- 8.9** Use functional decomposition to find the best implementation of the function  $f(x_1, \dots, x_5) = \sum m(1, 2, 7, 9, 10, 18, 19, 25, 31) + D(0, 15, 20, 26)$ . How does your implementation compare with the lowest-cost SOP implementation? Give the costs.
- 8.10** In Figure 8.7 we decomposed the function  $f$  by first identifying subfunctions in the columns of the Karnaugh map. Repeat this decomposition by first identifying subfunctions in the rows of the Karnaugh map.

- 8.11** In Figure 8.8 we decomposed the function  $f$  by first identifying subfunctions in the rows of the Karnaugh map. Repeat this decomposition by first identifying subfunctions in the columns of the Karnaugh map.
- \*8.12** Create a BDD for the function in Figure 8.6 using the input order  $x_1, x_2, x_3, x_4$ .
- 8.13** Repeat Problem 8.12 using the input order  $x_4, x_3, x_2, x_1$ .
- 8.14** Create a BDD for the function in Figure 8.8 using the input order  $x_1, x_2, x_3, x_4, x_5$ .
- 8.15** Repeat Problem 8.14 using the input order  $x_5, x_4, x_3, x_2, x_1$ .
- 8.16** For the function  $f = x_1x_3 + x_2x_4$  in Example 8.21 show how to use Shannon's expansion to derive the BDD in Figure 8.37b.
- 8.17** Show how to swap the variables  $x_2$  and  $x_3$  in the BDD in Figure 8.37b to derive the BDD in Figure 8.35.
- \*8.18** Use the tabular method discussed in Section 8.4.1 to find a minimum cost SOP realization for the function

$$f(x_1, \dots, x_4) = \sum m(0, 2, 4, 5, 7, 8, 9, 15)$$

- 8.19** Repeat Problem 8.18 for the function

$$f(x_1, \dots, x_4) = \sum m(0, 4, 6, 8, 9, 15) + D(3, 7, 11, 13)$$

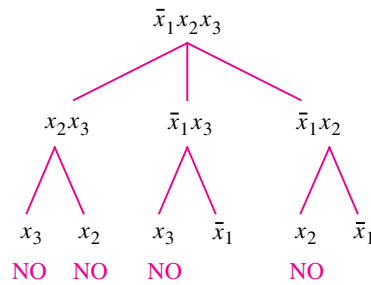
- 8.20** Repeat Problem 8.18 for the function

$$f(x_1, \dots, x_4) = \sum m(0, 3, 4, 5, 7, 9, 11) + D(8, 12, 13, 14)$$

- 8.21** Show that the following distributive-like rules are valid

$$\begin{aligned}(A \cdot B)\#C &= (A\#C) \cdot (B\#C) \\ (A + B)\#C &= (A\#C) + (B\#C)\end{aligned}$$

- 8.22** Use the cubical representation and the method discussed in Section 8.4.2 to find a minimum-cost SOP realization of the function  $f(x_1, \dots, x_4) = \sum m(0, 2, 4, 5, 7, 8, 9, 15)$ .
- 8.23** Repeat Problem 8.22 for the function  $f(x_1, \dots, x_5) = \bar{x}_1\bar{x}_3\bar{x}_5 + x_1x_2\bar{x}_3 + x_2x_3\bar{x}_4x_5 + x_1\bar{x}_2\bar{x}_3x_4 + x_1x_2x_3x_4\bar{x}_5 + \bar{x}_1x_2x_4\bar{x}_5 + \bar{x}_1\bar{x}_3x_4x_5$ .
- 8.24** Use the cubical representation and the method discussed in Section 8.4.2 to find a minimum-cost SOP realization of the function  $f(x_1, \dots, x_4)$  defined by the ON-set  $ON = \{00x0, 100x, x010, 1111\}$  and the don't-care set  $DC = \{00x1, 011x\}$ .
- 8.25** In Section 8.4.2 we showed how the  $*$ -product operation can be used to find the prime implicants of a given function  $f$ . Another possibility is to find the prime implicants by expanding the implicants in the initial cover of the function. An implicant is *expanded* by removing one literal to create a larger implicant (in terms of the number of vertices covered). A larger implicant is valid only if it does not include any vertices for which  $f = 0$ . The largest valid implicants obtained in the process of expansion are the prime



**Figure P8.1** Expansion of implicant  $\bar{x}_1 x_2 x_3$ .

implicants. Figure P8.1 illustrates the expansion of the minterm  $\bar{x}_1 x_2 x_3$  of the function used in Example 8.14. Note from Figure 2.56 that

$$\bar{f} = x_1 \bar{x}_2 \bar{x}_3 + x_1 \bar{x}_2 x_3 + x_1 x_2 \bar{x}_3$$

In Figure P8.1 the word NO is used to indicate that the expanded term is not valid, because it includes one or more vertices from  $\bar{f}$ . From the graph it is clear that the largest valid implicants that arise from this expansion are  $x_2 x_3$  and  $\bar{x}_1$ ; they are prime implicants of  $f$ .

Expand the other four minterms given in the initial cover in Example 8.14 to find all prime implicants of  $f$ . What is the relative complexity of this procedure compared to the \*-product technique?

- 8.26** Repeat Problem 8.25 for the function in Example 8.15. Expand the implicants given in the initial cover  $C^0$ .
- 8.27** Find the minimum-cost circuit consisting only of two-input NAND gates for the function  $f(x_1, \dots, x_4) = \sum m(0, 1, 2, 3, 4, 6, 8, 9, 12)$ . Assume that the input variables are available in both uncomplemented and complemented forms. (*Hint*: Consider the complement of the function.)
- 8.28** Repeat Problem 8.27 for the function  $f(x_1, \dots, x_4) = \sum m(2, 3, 6, 8, 9, 12)$ .
- 8.29** Find the minimum-cost circuit consisting only of two-input NOR gates for the function  $f(x_1, \dots, x_4) = \sum m(6, 7, 8, 10, 12, 14, 15)$ . Assume that the input variables are available in both uncomplemented and complemented forms. (*Hint*: Consider the complement of the function.)
- 8.30** Repeat Problem 8.29 for the function  $f(x_1, \dots, x_4) = \sum m(2, 3, 4, 5, 9, 10, 11, 12, 13, 15)$ .

---

## REFERENCES

1. R. L. Ashenhurst, "The Decomposition of Switching Functions," Proc. of the Symposium on the Theory of Switching, 1957, *Vol. 29 of Annals of Computation Laboratory* (Harvard University: Cambridge, MA, 1959), pp. 74–116.
2. F. J. Hill and G. R. Peterson, *Computer Aided Logical Design with Emphasis on VLSI*, 4th ed. (Wiley: New York, 1993).
3. T. Sasao, *Logic Synthesis and Optimization* (Kluwer: Boston, MA, 1993).
4. S. Devadas, A. Gosh, and K. Keutzer, *Logic Synthesis* (McGraw-Hill: New York, 1994).
5. W. V. Quine, "The Problem of Simplifying Truth Functions," *Amer. Math. Monthly* 59 (1952), pp. 521–531.
6. E. J. McCluskey Jr., "Minimization of Boolean Functions," *Bell System Tech. Journal*, November 1956, pp. 1417–1444.
7. S. B. Akers, "Binary Decision Diagrams," *IEEE Transactions on Computers*, Vol. C-27, No. 6, pages 509-516, June 1978.
8. R. E. Bryant, "Graph-based algorithms for Boolean function manipulation," *IEEE Transactions on Computers*, Vol. C-35, No. 8, pages 677-691, August 1986.
9. G. D. Hachtel and F. Somenzi, "Logic Synthesis and Verification Algorithms," (Springer-Verlag: 2006)
10. H. R. Andersen, "An Introduction to Binary Decision Diagrams," Lecture Notes, 1999, IT University of Copenhagen.
11. J. Lind-Nielsen, "BuDDy - A Binary Decision Diagram Package," University of Michigan, <http://vlsicad.eecs.umich.edu/BK/Slots/cache/www.itu.dk/research/buddy/index.html>
12. F. Somenzi, "CUDD: CU Decision Diagram Package," University of Colorado at Boulder, <http://vlsi.colorado.edu/fabio/CUDD/>
13. R. H. Katz and G. Borriello, *Contemporary Logic Design*, 2nd ed. (Pearson Prentice-Hall: Upper Saddle River, NJ, 2005).
14. R. K. Brayton, G. D. Hachtel, C. T. McMullen, and A. L. Sangiovanni-Vincentelli, *Logic Minimization Algorithms for VLSI Synthesis* (Kluwer: Boston, MA, 1984).
15. R. Murgai, R. K. Brayton, and A. Sangiovanni-Vincentelli, "Logic Synthesis for Field-Programmable Gate Arrays," (Kluwer Academic Publishers: 1996)
16. E. M. Sentovic, K. J. Singh, L. Lavagno, C. Moon, R. Murgai, A. Saldanha, H. Savoj, P. R. Stephan, R. K. Brayton, and A. Sangiovanni-Vincentelli, "SIS: A System for Sequential Circuit Synthesis," Technical Report UCB/ERL M92/41, Electronics Research Laboratory, Department of Electrical Engineering and Computer Science, University of California, Berkeley, 1992.
17. R. Brayton and A. Mishchenko, "ABC: A System for Sequential Synthesis and Verification," Berkeley Logic Synthesis and Verification Group, <http://www.eecs.berkeley.edu/alanmi/abc/>.

*This page intentionally left blank*

# ASYNCHRONOUS SEQUENTIAL CIRCUITS

## CHAPTER OBJECTIVES

In this chapter you will learn about:

- Sequential circuits that are not synchronized by a clock
- Analysis of asynchronous sequential circuits
- Synthesis of asynchronous sequential circuits
- The concept of stable and unstable states
- Hazards that cause incorrect behavior of a circuit
- Timing issues in digital circuits



In Chapter 6 we covered the design of synchronous sequential circuits in which the state variables are represented by flip-flops that are controlled by a clock. The clock is a periodic signal that consists of pulses. Changes in state can occur on the positive or negative edge of each clock pulse. Since they are controlled by pulses, synchronous sequential circuits are said to operate in *pulse mode*. In this chapter we present sequential circuits that do not operate in pulse mode and do not use flip-flops to represent state variables. These circuits are called *asynchronous sequential circuits*.

In an asynchronous sequential circuit, changes in state are not triggered by clock pulses. Instead, changes in state are dependent on whether each of the inputs to the circuit has the logic level 0 or 1 at any given time. To achieve reliable operation, the inputs to the circuit must change in a specific manner. In this introductory discussion we will concentrate on the simplest case in which a constraint is imposed that the inputs must change one at a time. Moreover, there must be sufficient time between the changes in input signals to allow the circuit to reach a *stable state*, which is achieved when all internal signals stop changing. A circuit that adheres to these constraints is said to operate in the *fundamental mode*.

Asynchronous circuits are much more difficult to design than synchronous circuits. Specialized techniques, which are beyond the scope of this book, have been developed for dealing with large asynchronous circuits. Our main reason for the discussion in this chapter is the fact that the asynchronous circuits, even in their simplest form, provide an excellent vehicle for gaining a deeper understanding of the operation of digital circuits in general. In particular, they illustrate the timing issues caused by propagation delays in logic circuits.

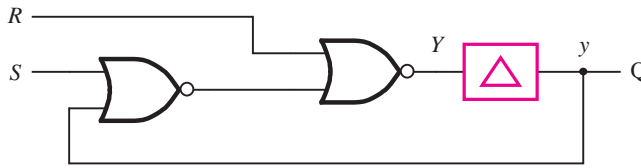
The design approaches presented in this chapter are classical techniques that are suitable only for very small circuits. They are easy to understand and they demonstrate the problems that arise from timing constraints. In synchronous circuits these problems are avoided by using a clock as a synchronizing mechanism.

---

## 9.1 ASYNCHRONOUS BEHAVIOR

To introduce asynchronous sequential circuits, we will reconsider the basic latch circuit in Figure 5.3. This Set-Reset (SR) latch is redrawn in Figure 9.1a. The feedback loop gives rise to the sequential nature of the circuit. It is an asynchronous circuit because changes in the value of the output,  $Q$ , occur without having to wait for a synchronizing clock pulse. In response to a change in either the  $S$  (Set) or  $R$  (Reset) input, the value of  $Q$  will change after a short propagation time through the NOR gates. In Figure 9.1a the combined propagation delay through the two NOR gates is represented by the box labeled  $\Delta$ . Then, the NOR gate symbols represent ideal gates with zero delay. Using the notation in Chapter 6,  $Q$  corresponds to the *present state* of the circuit, represented by the *present-state variable*,  $y$ . The value of  $y$  is fed back through the circuit to generate the value of the *next-state variable*,  $Y$ , which represents the *next state* of the circuit. After the  $\Delta$  time delay,  $y$  takes the value of  $Y$ . Observe that we have drawn the circuit in a style that conforms to the general model for sequential circuits presented in Figure 6.85.

By analyzing the SR latch, we can derive a state-assigned table, as illustrated in Figure 9.1b. When the present state is  $y = 0$  and the inputs are  $S = R = 0$ , the circuit produces  $Y = 0$ . Since  $y = Y$ , the state of the circuit will not change. We say that the circuit is *stable* under these input conditions. Now assume that  $R$  changes to 1 while  $S$  remains at 0. The



(a) Circuit with modeled gate delay

Present state	Next state			
	$SR = 00$	01	10	11
$y$	$Y$	$Y$	$Y$	$Y$
0	0	0	1	0
1	1	0	1	0

(b) State-assigned table

**Figure 9.1** Analysis of the SR latch.

circuit still generates  $Y = 0$  and remains stable. Assume next that  $S$  changes to 1 and  $R$  remains at 1. The value of  $Y$  is unchanged, and the circuit is stable. Then let  $R$  change to 0 while  $S$  remains at 1. This input valuation,  $SR = 10$ , causes the circuit to generate  $Y = 1$ . Since  $y \neq Y$ , the circuit is not stable. After the  $\Delta$  time delay, the circuit changes to the new present state  $y = 1$ . Once this new state is reached, the value of  $Y$  remains equal to 1 as long as  $SR = 10$ . Hence the circuit is again stable. The analysis for the present state  $y = 1$  can be completed using similar reasoning.

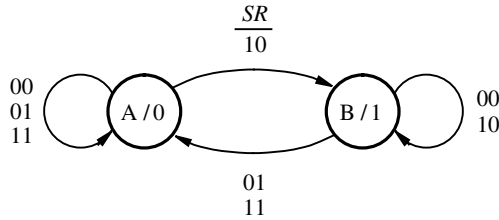
The concept of stable states is very important in the context of asynchronous sequential circuits. For a given valuation of inputs, if a circuit reaches a particular state and remains in this state, then the state is said to be stable. To clearly indicate the conditions under which the circuit is stable, it is customary to encircle the stable states in the table, as illustrated in Figure 9.1b.

From the state-assigned table, we can derive the state table in Figure 9.2a. The state names  $A$  and  $B$  represent the present states  $y = 0$  and  $y = 1$ , respectively. Since the output  $Q$  depends only on the present state, the circuit is a Moore-type FSM. The state diagram that represents the behavior of this FSM is shown in Figure 9.2b.

The preceding analysis shows that the behavior of an asynchronous sequential circuit can be represented as an FSM in a similar way as the synchronous sequential circuits in Chapter 6. Consider now performing the opposite task. That is, given the state table in Figure 9.2a, we can synthesize an asynchronous circuit as follows: After performing the

Present state	Next state				Output Q
	$SR = 00$	01	10	11	
A	(A)	(A)	B	(A)	0
B	(B)	A	(B)	A	1

(a) State table



(b) State diagram

**Figure 9.2** FSM model for the SR latch.

state assignment, we have the state-assigned table in Figure 9.1b. This table represents a truth table for  $Y$ , with the inputs  $y$ ,  $S$ , and  $R$ . Deriving a minimal product-of-sums expression yields

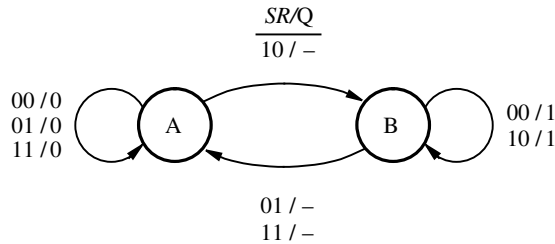
$$Y = \bar{R} \cdot (S + y)$$

If we were deriving a synchronous sequential circuit using the methods in Chapter 6, then  $Y$  would be connected to the  $D$  input of a flip-flop and a clock signal would be used to control the time when the changes in state take place. But since we are synthesizing an asynchronous circuit, we do not insert a flip-flop in the feedback path. Instead, we create a circuit that realizes the preceding expression using the necessary logic gates, and we feed back the output signal as the present-state input  $y$ . Implementation using NOR gates results in the circuit in Figure 9.1a. This simple example suggests that asynchronous circuits and synchronous circuits can be synthesized using similar techniques. However, we will see shortly that for more complex asynchronous circuits, the design task is considerably more difficult.

To further explore the nature of asynchronous circuits, it is interesting to consider how the behavior of the SR latch can be represented in the form of a Mealy model. As depicted in Figure 9.3, the outputs produced when the circuit is in a stable state are the same as in the Moore model, namely 0 in state  $A$  and 1 in state  $B$ . Consider now what happens

Present state	Next state				Output, Q			
	$SR = 00$	01	10	11	00	01	10	11
A	Ⓐ	Ⓐ	B	Ⓐ	0	0	–	0
B	Ⓑ	A	Ⓑ	A	1	–	1	–

(a) State table



(b) State diagram

**Figure 9.3** Mealy representation of the SR latch.

when the state of the circuit changes. Suppose that the present state is  $A$  and that the input valuation  $SR$  changes from  $00$  to  $10$ . As the state table specifies, the next state of the FSM is  $B$ . When the circuit reaches state  $B$ , the output  $Q$  will be  $1$ . But in the Mealy model, the output is supposed to be affected immediately by a change in the input signals. Thus while still in state  $A$ , the change in  $SR$  to  $10$  should result in  $Q = 1$ . We could have written a  $1$  in the corresponding entry in the top row of the state table, but we have chosen to leave this entry unspecified instead. The reason is that since  $Q$  will change to  $1$  as soon as the circuit reaches state  $B$ , there is little to be gained in trying to make  $Q$  go to  $1$  a little sooner. Leaving the entry unspecified allows us to assign either  $0$  or  $1$  to it, which may make the circuit that implements the state table somewhat simpler. A similar reasoning leads to the conclusion that the two output entries where a change from  $B$  to  $A$  takes place can also be left unspecified.

Using the state assignment  $y = 0$  for  $A$  and  $y = 1$  for  $B$ , the state-assigned table represents a truth table for both  $Y$  and  $Q$ . The minimal expression for  $Y$  is the same as for the Moore model. To derive an expression for  $Q$ , we need to set the unspecified entries to  $0$  or  $1$ . Assigning a  $0$  to the unspecified entry in the first row and  $1$  to the two unspecified entries in the second row produces  $Q = y$  and results in the circuit in Figure 9.1a.

### Terminology

In the preceding discussion we used the same terminology as in the previous chapter on synchronous sequential circuits. However, when dealing with asynchronous sequential

circuits, it is customary to use two different terms. Instead of a “state table,” it is more common to speak of a *flow table*, which indicates how the changes in state flow as a result of the changes in the input signals. Instead of a “state-assigned table,” it is usual to refer to a *transition table* or an *excitation table*. We will use the terms *flow table* and *excitation table* in this chapter. A flow table will define the state changes and outputs that must be generated. An excitation table will depict the transitions in terms of the state variables. The term excitation table derives from the fact that a change from a stable state is performed by “exciting” the next-state variables to start changing towards a new state.

---

## 9.2 ANALYSIS OF ASYNCHRONOUS CIRCUITS

To gain familiarity with asynchronous circuits, it is useful to analyze a few examples. We will keep in mind the general model in Figure 6.85, assuming that the delays in the feedback paths are a representation of the propagation delays in the circuit. Then each gate symbol will represent an ideal gate with zero delay.

---

**Example 9.1 GATED D LATCH** In Chapters 5 and 6, we used the gated D latch as a key component in circuits that are controlled by a synchronizing clock. It is instructive to analyze this latch as an asynchronous circuit, where the clock is just one of the inputs. It is reasonable to assume that the signals on the  $D$  and clock inputs do not change at the same time, thus meeting the basic requirement of asynchronous circuits.

Figure 9.4a shows the gated D latch drawn in the style of the model of Figure 6.85. This circuit was introduced in Figure 5.7 and discussed in Section 5.3. The next-state expression for this circuit is

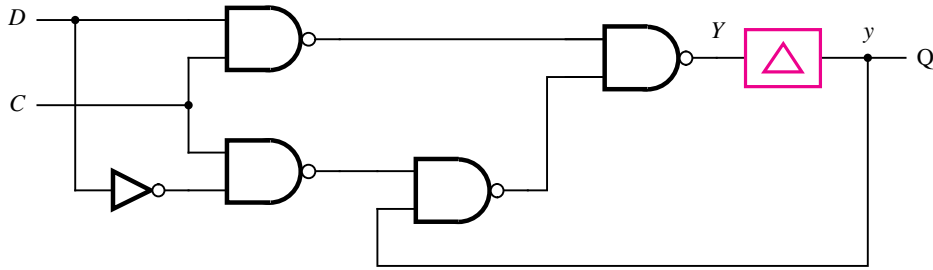
$$\begin{aligned} Y &= (C \uparrow D) \uparrow ((C \uparrow \bar{D}) \uparrow y) \\ &= CD + \bar{C}y + Dy \end{aligned}$$

The term  $Dy$  in this expression is redundant and could be deleted without changing the logic function of  $Y$ . Hence the minimal expression is

$$Y = CD + \bar{C}y$$

The reason that the circuit implements the redundant term  $Dy$  is that this term solves a race condition known as a *hazard*; we will discuss hazards in detail in Section 9.6.

Evaluating the expression for  $Y$  for all valuations of  $C$ ,  $D$ , and  $y$  leads to the excitation table in Figure 9.4b. Note that the circuit changes its state only when  $C = 1$  and  $D$  is different from the present state,  $y$ . In all other cases the circuit is stable. Using the symbols  $A$  and  $B$  to represent the states  $y = 0$  and  $y = 1$ , we obtain the flow table and the state diagram shown in parts (c) and (d).



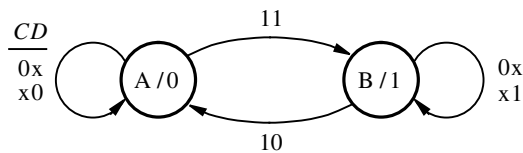
(a) Circuit

Present state	Next state				Q
	CD = 00	01	10	11	
y	Y	Y	Y	Y	
0	0	0	0	1	0
1	1	1	0	1	1

(b) Excitation table

Present state	Next state				Q
	CD = 00	01	10	11	
A	A	A	A	B	0
B	B	B	A	B	1

(c) Flow table



(d) State diagram

**Figure 9.4** The gated D latch.

**Example 9.2 MASTER-SLAVE D FLIP-FLOP** In Example 9.1 we analyzed the gated D latch as an asynchronous circuit. Actually, all practical circuits are asynchronous. However, if the circuit's behavior is tightly controlled by a clock signal, then simpler operating assumptions can be used, as we did in Chapter 6. Recall that in a synchronous sequential circuit all signals change values in synchronization with the clock signal. Now we will analyze another synchronous circuit as if it were an asynchronous circuit.

Two gated D latches are used to implement the master-slave D flip-flop, as illustrated in Figure 5.9. This circuit is reproduced in Figure 9.5. We can analyze the circuit by treating it as a series connection of two gated D latches. Using the results from Example 9.1, the simplified next-state expressions can be written as

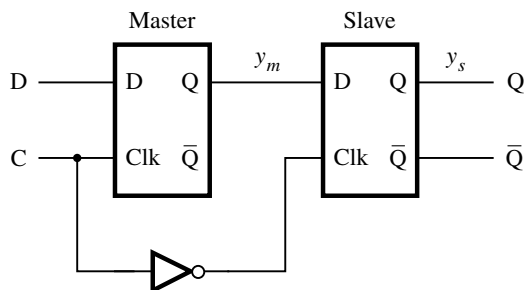
$$Y_m = CD + \bar{C}y_m$$

$$Y_s = \bar{C}y_m + Cy_s$$

where the subscripts  $m$  and  $s$  refer to the master and slave stages of the flip-flop. These expressions lead to the excitation table in Figure 9.6a. Labeling the four states as  $S1$  through  $S4$ , we derive the flow table in Figure 9.6b. A state-diagram form of this information is given in Figure 9.7.

Let us consider the behavior of this FSM in more detail. The state  $S1$ , where  $y_my_s = 00$ , is stable for all input valuations except  $CD = 11$ . When  $C = 1$ , the value of  $D$  is stored in the master stage; hence  $CD = 11$  causes the flip-flop to change to  $S3$ , where  $y_m = 1$  and  $y_s = 0$ . If the  $D$  input now changes back to 0, while the clock remains at 1, the flip-flop moves back to the state  $S1$ . The transitions between  $S1$  and  $S3$  indicate that if  $C = 1$ , the output of the master stage,  $Q_m = y_m$ , tracks the changes in the  $D$  input signal without affecting the slave stage. From  $S3$  the circuit changes to  $S4$  when the clock goes to 0. In  $S4$  both master and slave stages are set to 1 because the information from the master stage is transferred to the slave stage on the negative edge of the clock. Now the flip-flop remains in  $S4$  until the clock goes to 1 and the  $D$  input changes to 0, which causes a change to  $S2$ . In  $S2$  the master stage is cleared to 0, but the slave stage remains at 1. Again the flip-flop may change between  $S2$  and  $S4$  because the master stage will track the changes in the  $D$  input signal while  $C = 1$ . From  $S2$  the circuit changes to  $S1$  when the clock goes low.

In Figures 9.6 and 9.7, we indicated that the flip-flop has only one output  $Q$ , which one sees when the circuit is viewed as a negative-edge-triggered flip-flop. From the observer's



**Figure 9.5** Circuit for the master-slave D flip-flop.

Present state $y_m y_s$	Next state				Output Q
	$CD = 00$	01	10	11	
00	00	00	00	10	0
01	00	00	01	11	1
10	11	11	00	10	0
11	11	11	01	11	1

(a) Excitation table

Present state	Next state				Output Q
	$CD = 00$	01	10	11	
S1	S1	S1	S1	S3	0
S2	S1	S1	S2	S4	1
S3	S4	S4	S1	S3	0
S4	S4	S4	S2	S4	1

(b) Flow table

Present state	Next state				Output Q
	$CD = 00$	01	10	11	
S1	S1	S1	S1	S3	0
S2	S1	—	S2	S4	1
S3	—	S4	S1	S3	0
S4	S4	S4	S2	S4	1

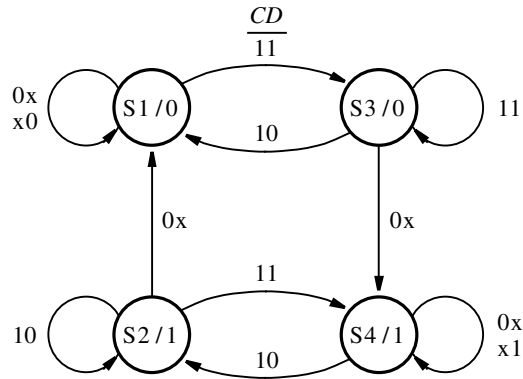
(c) Flow table with unspecified entries

**Figure 9.6** Excitation and flow tables for Example 9.2.

point of view, the flip-flop has only two states, 0 and 1. But internally, the flip-flop consists of the master and slave parts, which gives rise to the four states described above.

We should also examine the basic assumption that the inputs must change one at a time. If the circuit is stable in state  $S2$ , for which  $CD = 10$ , it is impossible to go from this state to  $S1$  under the influence of the input valuation  $CD = 01$  because this simultaneous change





**Figure 9.7** State diagram for the master-slave D flip-flop.

in both inputs cannot occur. Thus in the second row of the flow table, instead of showing  $S2$  changing to  $S1$  under  $CD = 01$ , this entry can be labeled as unspecified. The change from  $S2$  to  $S1$  can be caused only by  $CD$  changing from  $10$  to  $00$ . Similarly, if the circuit is in state  $S3$ , where  $CD = 11$ , it cannot change to  $S4$  by having  $CD = 00$ . This entry can also be left unspecified in the table. The resulting flow table is shown in Figure 9.6c.

If we reverse the analysis procedure and, using the state assignment in Figure 9.6a, synthesize logic expressions for  $Y_m$  and  $Y_s$ , we get

$$Y_m = CD + \bar{C}y_m + y_mD$$

$$Y_s = \bar{C}y_m + Cy_s + y_m y_s$$

The terms  $y_mD$  and  $y_m y_s$  in these expressions are redundant. As mentioned earlier, they are included in the circuit to avoid race conditions, which are discussed in Section 9.6.

---

**Example 9.3** Consider the circuit in Figure 9.8. It is represented by the following expressions

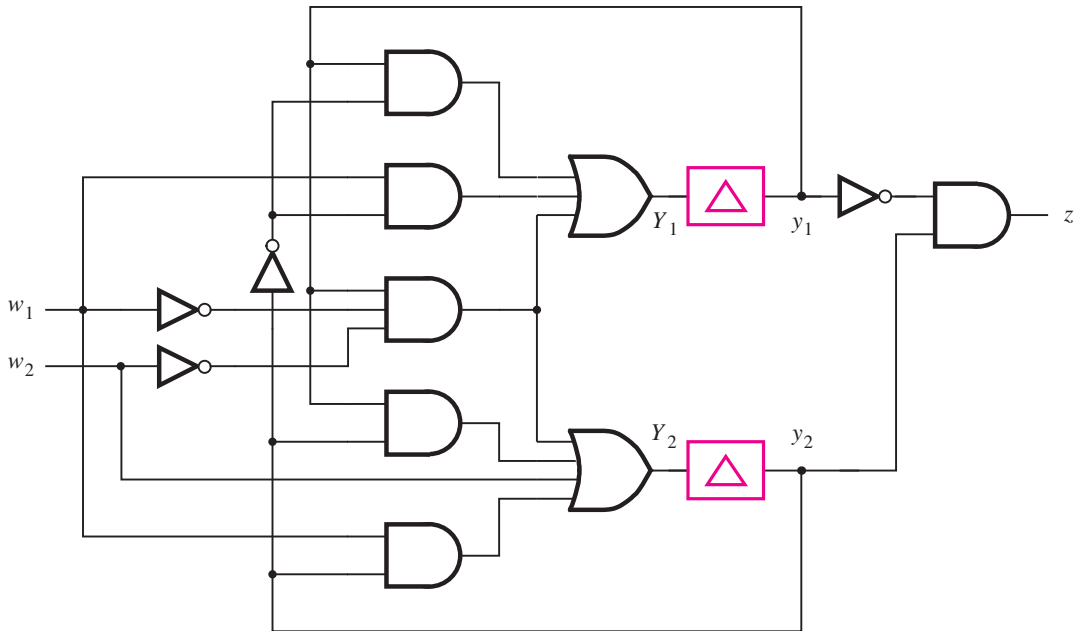
$$Y_1 = y_1 \bar{y}_2 + w_1 \bar{y}_2 + \bar{w}_1 \bar{w}_2 y_1$$

$$Y_2 = y_1 y_2 + w_1 y_2 + w_2 + \bar{w}_1 \bar{w}_2 y_1$$

$$z = \bar{y}_1 y_2$$

The corresponding excitation and flow tables are given in Figure 9.9.

Some transitions in the flow table will not occur in practice because of the assumption that both  $w_1$  and  $w_2$  cannot change simultaneously. In state  $A$  the circuit is stable under the valuation  $w_2 w_1 = 00$ . Its inputs cannot change to  $11$  without passing through the valuations  $01$  or  $10$ , in which case the new state would be  $B$  or  $C$ , respectively. Thus the transition from  $A$  under  $w_2 w_1 = 11$  can be left unspecified. Similarly, if the circuit is stable in state  $B$ , in which case  $w_2 w_1 = 01$ , it is impossible to force a change to state  $D$  by changing the inputs to  $w_2 w_1 = 10$ . This entry should also be unspecified. If the circuit is stable in state  $C$  under  $w_2 w_1 = 11$ , it is not possible to go to  $A$  by changing the inputs directly to  $w_2 w_1 = 00$ .



**Figure 9.8** Circuit for Example 9.3.

However, the transition to *A* is possible by changing the inputs one at a time because the circuit remains stable in *C* for both  $w_2w_1 = 01$  and  $w_2w_1 = 10$ .

A different situation arises if the circuit is stable in state *D* under  $w_2w_1 = 00$ . It may seem that the entry under  $w_2w_1 = 11$  should be unspecified because this input change cannot be made from the stable state *D*. But suppose that the circuit is stable in state *B* under  $w_2w_1 = 01$ . Now let the inputs change to  $w_2w_1 = 11$ . This causes a change to state *D*. The circuit indeed changes to *D*, but it is not stable in this state for this input condition. As soon as it arrives into state *D*, the circuit proceeds to change to state *C* as required by  $w_2w_1 = 11$ . It is then stable in state *C* as long as both inputs remain at 1. The conclusion is that the entry that specifies the change from *D* to *C* under  $w_2w_1 = 11$  is meaningful and should not be omitted. The transition from the stable state *B* to the stable state *C*, which passes through state *D*, illustrates that it is not imperative that all transitions be directly from one stable state to another. A state through which a circuit passes en route from one stable state to another is called an *unstable state*. Transitions that involve passing through an unstable state are not harmful as long as the unstable state does not generate an undesirable output signal. For example, if a transition is between two stable states for which the output signal should be 0, it would be unacceptable to pass through an unstable state that causes the output to be 1. Even though the circuit changes through the unstable state very quickly, the short glitch in the output signal is likely to be troublesome. This is not a problem in our example. When the circuit is stable in *B*, the output is  $z = 0$ . When the inputs change to  $w_2w_1 = 11$ , the transition to state *D* maintains the output at 0. It is only when the circuit finally changes into state *C* that  $z$  will change to 1. Therefore, the change from  $z = 0$  to  $z = 1$  occurs only once during the course of these transitions.

Present state $y_2y_1$	Next state				Output $z$
	$w_2w_1 = 00$	01	10	11	
	$Y_2Y_1$	$Y_2Y_1$	$Y_2Y_1$	$Y_2Y_1$	
00	00	01	10	11	0
01	11	01	11	11	0
10	00	10	10	10	1
11	11	10	10	10	0

(a) Excitation table

Present state	Next state				Output $z$
	$w_2w_1 = 00$	01	10	11	
A	A	B	C	D	0
B	D	B	D	D	0
C	A	C	C	C	1
D	D	C	C	C	0

(b) Flow table

**Figure 9.9** Excitation and flow tables for the circuit in Figure 9.8.

Present state	Next state				Output $z$
	$w_2w_1 = 00$	01	10	11	
A	A	B	C	—	0
B	D	B	—	D	0
C	A	C	C	C	1
D	D	C	C	C	0

**Figure 9.10** Modified flow table for Example 9.3.

A modified flow table, showing the unspecified transitions, is presented in Figure 9.10. The table indicates the behavior of the circuit in Figure 9.8 in terms of state transitions. If we don't know what the circuit is supposed to do, it may be difficult to discover the practical application for a given circuit. Fortunately, in practice the purpose of the circuit is known, and the analysis is done by the designer to ascertain that the circuit performs as desired. In our example it is apparent that the circuit generates the output  $z = 1$  in state  $C$ , which it

reaches as a result of some input patterns that are detected using the other three states. The state diagram derived from Figure 9.10 is shown in Figure 9.11.

This diagram actually implements a control mechanism for a simple vending machine that accepts two types of coins, say, dimes and nickels, and dispenses merchandise such as candy. If  $w_1$  represents a nickel and  $w_2$  represents a dime, then a total of 10 cents must be deposited to get the FSM into state  $C$  where the candy is released. The coin mechanism accepts only one coin at a time, which means that  $w_2w_1 = 11$  can never occur. Therefore, the transition discussed above, from  $B$  to  $C$ , through the unstable state  $D$  would not occur. Observe that both states  $B$  and  $D$  indicate that 5 cents has been deposited. State  $B$  indicates that a nickel is presently being sensed by the coin receptor, while  $D$  indicates that 5 cents has been deposited and the coin receptor is presently empty. In state  $D$  it is possible to deposit either a nickel or a dime, both leading to state  $C$ . No distinction is made between the two types of coins in state  $D$ ; hence the machine would not give change if 15 cents is deposited. From state  $A$  a dime leads directly to state  $C$ . Knowing that the condition  $w_2w_1 = 11$  will not occur allows the flow table to be specified as shown in Figure 9.12. If

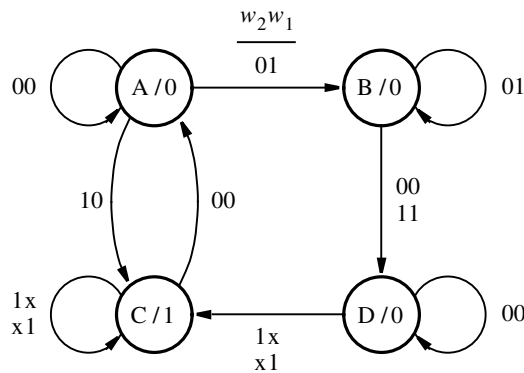


Figure 9.11 State diagram for Example 9.3.

Present state	Next state				Output $z$
	$w_2w_1 = 00$	01	10	11	
A	(A)	B	C	—	0
B	D	(B)	—	—	0
C	A	(C)	(C)	—	1
D	(D)	C	C	—	0

$w_2 \equiv$  dime       $w_1 \equiv$  nickel

Figure 9.12 Flow table for a simple vending machine.

we were to synthesize the sum-of-products logic expressions for  $Y_1$  and  $Y_2$ , using the state assignment in Figure 9.9a, we would end up with the circuit in Figure 9.8.

---

### Steps in the Analysis Process

We have demonstrated the analysis process using illustrative examples. The required steps can be stated as follows:

- A given circuit is interpreted in the form of the general model in Figure 6.85. That is, each feedback path is cut, and a delay element is inserted at the point where the cut is made. The input signal to the delay element represents a corresponding next-state variable,  $Y_i$ , while the output signal is the present-state variable,  $y_i$ . A cut can be made anywhere in a particular loop formed by the feedback connection, as long as there is only one cut per (state variable) loop. Thus the number of cuts that should be made is the smallest number that results in there being no feedback anywhere in the circuit except from the output of a delay element. This minimal number of cuts is sometimes referred to as the *cut set*. Note that the analysis based on a cut made at one point in a given loop may not produce the same flow table as an analysis on a cut made at some other point in this loop. But both flow tables would reflect the same functional behavior in terms of the applied inputs and generated outputs.
- Next-state and output expressions are derived from the circuit.
- The excitation table corresponding to the next-state and output expressions is derived.
- A flow table is obtained, associating some (arbitrary) names with the particular encoded states.
- A corresponding state diagram is derived from the flow table if desired.

---

## 9.3 SYNTHESIS OF ASYNCHRONOUS CIRCUITS

Synthesis of asynchronous sequential circuits follows the same basic steps used to synthesize the synchronous circuits, which were discussed in Chapter 6. There are some differences due to the asynchronous nature, which make the asynchronous circuits more difficult to design. We will explain the differences by investigating a few design examples. The basic steps are

- Devise a state diagram for an FSM that realizes the required functional behavior.
- Derive the flow table and reduce the number of states if possible.
- Perform the state assignment and derive the excitation table.
- Obtain the next-state and output expressions.
- Construct a circuit that implements these expressions.

When devising a state diagram, or perhaps the flow table directly, it is essential to ensure that when the circuit is in a stable state, the correct output signals are generated. Should it

be necessary to pass through an unstable state, this state must not produce an undesirable output signal.

Minimization of states is not straightforward. A minimization procedure is described in Section 9.4.

State assignment is not done with the sole purpose of reducing the cost of the final circuit. In asynchronous circuits some state assignments may cause the circuit to be unreliable. We will explain this problem using the examples that follow.

---

**SERIAL PARITY GENERATOR** Suppose that we want to design a circuit that has an input  $w$  and an output  $z$ , such that when pulses are applied to  $w$ , the output  $z$  is equal to 0 if the number of previously applied pulses is even and  $z$  is equal to 1 if the number of pulses is odd. Hence the circuit acts as a serial parity generator.

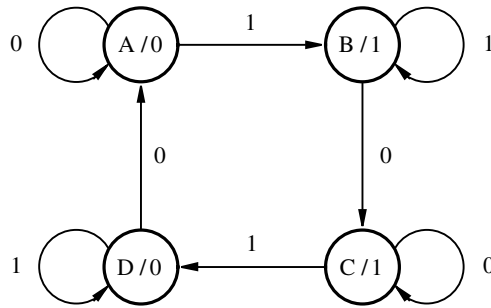
**Example 9.4**

Let  $A$  be the state that indicates that an even number of pulses has been received. Using the Moore model, the output  $z$  will be equal to 0 when the circuit is in state  $A$ . As long as  $w = 0$ , the circuit should remain in  $A$ , which is specified by a transition arc that both originates and terminates in state  $A$ . Thus  $A$  is stable when  $w = 0$ . When the next pulse arrives, the input  $w = 1$  should cause the FSM to move to a new state, say,  $B$ , which produces the output  $z = 1$ . When the FSM reaches  $B$ , it must remain stable in this state as long as  $w = 1$ . This is specified by a transition arc that originates and terminates in  $B$ . The next input change occurs when  $w$  goes to 0. In response the FSM must change to a state where  $z = 1$  and which corresponds to the fact that a complete pulse has been observed, namely, that  $w$  has changed from 1 to 0. Let this state be  $C$ ; it must be stable under the input condition  $w = 0$ . The arrival of the next pulse makes  $w = 1$ , and the FSM must change to a state,  $D$ , that indicates that an even number of pulses has been observed and that the last pulse is still present. The state  $D$  is stable under  $w = 1$ , and it causes the output to be  $z = 0$ . Finally, when  $w$  returns to 0 at the end of the pulse, the FSM returns to state  $A$ , which indicates an even number of pulses and  $w$  equal to 0 at the present time. The resulting state diagram is shown in Figure 9.13a.

A key point to understand is why it is necessary to have four states rather than just two, considering that we are merely trying to distinguish between the even and odd number of input pulses. States  $B$  and  $C$  cannot be combined into a single state even though they both indicate that an odd number of pulses has been observed. Suppose we had simply tried to use state  $B$  alone for this purpose. Then it would have been necessary to add an arc with a label 0 that originates and terminates in state  $B$ , which is fine. The problem is that without state  $C$ , there would have to be a transition from state  $B$  directly to  $D$  if the input is  $w = 1$  to respond to the next change in the input when a new pulse arrives. It would be impossible to have  $B$  both stable under  $w = 1$  and have a change to  $D$  effected for the same input condition. Similarly, we can show that the states  $A$  and  $D$  cannot be combined into a single state.

Figure 9.13b gives the flow table that corresponds directly to the state diagram. In many cases the designer can derive a flow table directly. We are using the state diagram mostly because it provides a simpler visual picture of the effect of the transitions in an FSM.

The next step is to assign values to the states in terms of the state variables. Since there are four states in our FSM, there have to be at least two state variables. Let these variables



(a) State diagram

Present state	Next state		Output $z$
	$w = 0$	$w = 1$	
A	Ⓐ	B	0
B	C	Ⓑ	1
C	Ⓒ	D	1
D	A	Ⓓ	0

(b) Flow table

**Figure 9.13** Parity-generating asynchronous FSM.

be  $y_1$  and  $y_2$ . As a first attempt at the state assignment, let the states  $A$ ,  $B$ ,  $C$ , and  $D$  be encoded as  $y_2y_1 = 00, 01, 10$ , and  $11$ , respectively. This assignment leads to the excitation table in Figure 9.14a. Unfortunately, it has a major flaw. The circuit that implements this table is stable in state  $D = 11$  under the input condition  $w = 1$ . But consider what happens next if the input changes to  $w = 0$ . According to the excitation table, the circuit should change to state  $A = 00$  and remain stable in this state. The problem is that in going from  $y_2y_1 = 11$  to  $y_2y_1 = 00$  both state variables must change their values. This is unlikely to occur at exactly the same time. In an asynchronous circuit the values of the next-state variables are determined by networks of logic gates with varying propagation delays. Thus we should expect that one state variable will change slightly before the other, which could put the circuit into a state where it may react to the input in an undesirable way. Suppose that  $y_1$  changes first. Then the circuit goes from  $y_2y_1 = 11$  to  $y_2y_1 = 10$ . As soon as it reaches this state,  $C$ , it will attempt to remain there if  $w = 0$ , which is a wrong outcome. On the other hand, suppose that  $y_2$  changes first. Then there will be a change from  $y_2y_1 = 11$  to  $y_2y_1 = 01$ , which corresponds to state  $B$ . Since  $w = 0$ , the circuit will now try to change to  $y_2y_1 = 10$ . This again requires that both  $y_1$  and  $y_2$  change; assuming that  $y_1$  changes first

Present state $y_2y_1$	Next state		Output $z$
	$w = 0$	$w = 1$	
	$Y_2Y_1$		
00	00	01	0
01	10	01	1
10	10	11	1
11	00	11	0

(a) Poor state assignment

Present state $y_2y_1$	Next state		Output $z$
	$w = 0$	$w = 1$	
	$Y_2Y_1$		
00	00	01	0
01	11	01	1
11	11	10	1
10	00	10	0

(b) Good state assignment

**Figure 9.14** State assignment for Figure 9.13b.

in the transition from  $y_2y_1 = 01$ , the circuit will find itself in the state  $y_2y_1 = 00$ , which is the correct destination state,  $A$ . This discussion indicates that the required transition from  $D$  to  $A$  will be performed correctly if  $y_2$  changes before  $y_1$ , but it will not work if  $y_1$  changes before  $y_2$ . The result depends on the outcome of the “race” to change between the signals  $y_1$  and  $y_2$ .

The uncertainty caused by multiple changes in the state variables in response to an input that should lead to a predictable change from one stable state to another has to be eliminated. The term *race condition* is used to refer to such unpredictable behavior. We will discuss this issue in detail in Section 9.5.

Race conditions can be eliminated by treating the present-state variables as if they were inputs to the circuit, meaning that only one state variable is allowed to change at a time. For our example the assignment  $A = 00$ ,  $B = 01$ ,  $C = 11$ , and  $D = 10$  achieves this objective. The resulting excitation table is presented in Figure 9.14b. The reader should verify that all transitions involve changing a single state variable.



From Figure 9.14*b* the next-state and output expressions are

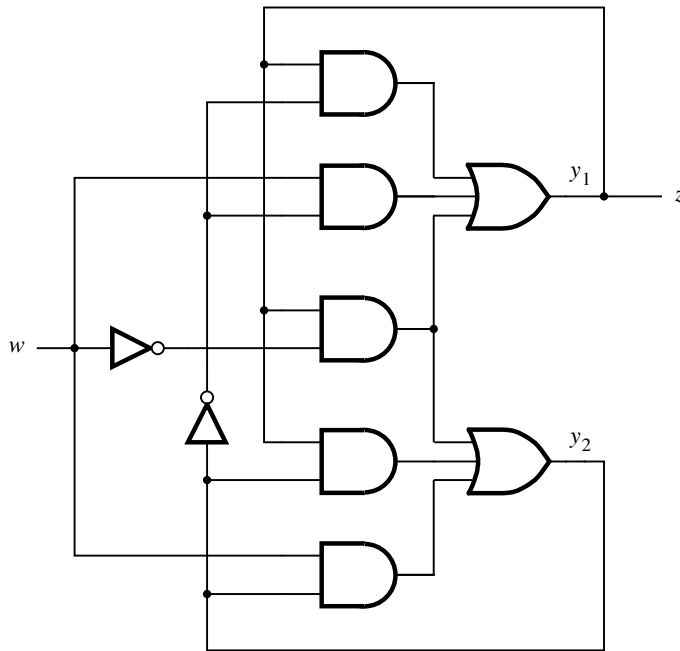
$$Y_1 = w\bar{y}_2 + \bar{w}y_1 + y_1\bar{y}_2$$

$$Y_2 = wy_2 + \bar{w}y_1 + y_1y_2$$

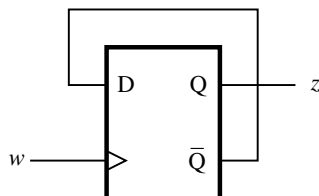
$$z = y_1$$

The last product term in the expressions for  $Y_1$  and  $Y_2$  is included to deal with possible hazards, which are discussed in Section 9.6. The corresponding circuit is shown in Figure 9.15.

It is interesting to consider how the serial parity generator could be implemented using a synchronous approach. All that is needed is a single flip-flop that changes its state with the arrival of each input pulse. The positive-edge-triggered  $D$  flip-flop in Figure 9.16



**Figure 9.15** Circuit that implements the FSM in Figure 9.13*b*.



**Figure 9.16** Synchronous solution for Example 9.4.

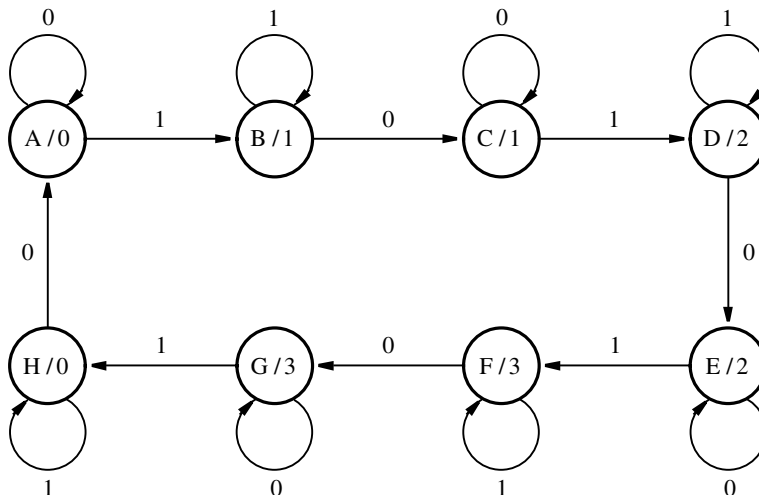
accomplishes the task, assuming that the flip-flop is initially set to  $Q = 0$ . The logic complexity of the flip-flop is exactly the same as the circuit in Figure 9.15. Indeed, if we use the preceding expressions for  $Y_1$  and  $Y_2$  and substitute  $C$  for  $w$ ,  $D$  for  $\bar{y}_2$ ,  $y_m$  for  $y_1$ , and  $y_s$  for  $y_2$ , we end up with the excitation expressions shown for the master-slave D flip-flop in Example 9.2. The circuit in Figure 9.15 is actually a negative-edge-triggered master-slave flip-flop, with the complement of its  $Q$  output ( $y_2$ ) connected to its  $D$  input. The output  $z$  is connected to the output of the master stage of the flip-flop.

**MODULO-4 COUNTER** Chapters 5 and 6 described how counters can be implemented using flip-flops. Now we will synthesize a counter as an asynchronous sequential circuit. Figure 9.17 depicts a state diagram for a modulo-4 up-counter, which counts the number of pulses on an input line,  $w$ . The circuit must be able to react to all changes in the input signal; thus it must take specific actions at both the positive and negative edges of each pulse. Therefore, eight states are needed to deal with the edges in four consecutive pulses.

### Example 9.5

The counter begins in state  $A$  and stays in this state as long as  $w = 0$ . When  $w$  changes to 1, a transition to state  $B$  is made and the circuit remains stable in this state as long as  $w = 1$ . When  $w$  goes back to 0, the circuit moves to state  $C$  and remains stable until  $w$  becomes 1 again, which causes a transition to state  $D$ , and so on. Using the Moore model, the states correspond to specific counts. There are two states for each particular count: the state that the FSM enters when  $w$  changes from 0 to 1 at the start of a pulse and the state that the FSM enters when  $w$  goes back to 0 at the end of the pulse. States  $B$  and  $C$  correspond to the count of 1, states  $D$  and  $E$  to 2, and states  $F$  and  $G$  to 3. States  $A$  and  $H$  represent the count of 0.

Figure 9.18 shows the flow and excitation tables for the counter. The state assignment is chosen such that all transitions between states require changing the value of only one



**Figure 9.17** State diagram for a modulo-4 counter.

Present state	Next state		Output $z$
	$w = 0$	$w = 1$	
A	Ⓐ	B	0
B	C	Ⓑ	1
C	Ⓒ	D	1
D	E	Ⓓ	2
E	Ⓔ	F	2
F	G	Ⓕ	3
G	Ⓖ	H	3
H	A	Ⓗ	0

(a) Flow table

Present state $y_3 y_2 y_1$	Next state		Output $z_2 z_1$	Mod-8 output $z_3 z_2 z_1$
	$w = 0$	$w = 1$		
	$Y_3 Y_2 Y_1$			
000	⓪⓪⓪	001	00	000
001	011	⓪⓪1	01	001
011	⓪11	010	01	010
010	110	⓪10	10	011
110	⓪10	111	10	100
111	101	⓪11	11	101
101	⓪01	100	11	110
100	000	⓪00	00	111

(b) Excitation table

(c) Output for counting the edges

**Figure 9.18** Flow and excitation tables for a modulo-4 counter.

state variable to eliminate the possibility of race conditions. The output is encoded as a binary number, using variables  $z_2$  and  $z_1$ . From the excitation table the next-state and output expressions are

$$\begin{aligned} Y_1 &= \bar{w}y_1 + wy_2y_3 + w\bar{y}_2\bar{y}_3 + y_1y_2y_3 + y_1\bar{y}_2\bar{y}_3 \\ &= \bar{w}y_1 + (w + y_1)(y_2y_3 + \bar{y}_2\bar{y}_3) \\ Y_2 &= wy_2 + \bar{w}y_1\bar{y}_3 + \bar{y}_1y_2 + y_2\bar{y}_3 \\ Y_3 &= wy_3 + y_1y_3 + \bar{y}_1y_2\bar{w} + y_2y_3 \\ z_1 &= y_1 \\ z_2 &= y_1y_3 + \bar{y}_1y_2 \end{aligned}$$

These expressions define the circuit that implements the required modulo-4 pulse counter.

In the preceding derivation we designed a circuit that changes its state on every edge of the input signal  $w$ , requiring a total of eight states. Since the circuit is supposed to count the number of complete pulses, which contain a rising and a falling edge, the output count  $z_2z_1$  changes its value only in every second state. This FSM behaves like a synchronous sequential circuit in which the output count changes only as a result of  $w$  changing from 0 to 1.

Suppose now that we want to count the number of times the signal  $w$  changes its value, that is, the number of its edges. The state transitions specified in Figures 9.17 and 9.18 define an FSM that can operate as a modulo-8 counter for this purpose. We only need to specify a distinct output in each state, which can be done as shown in Figure 9.18c. The values of  $z_3z_2z_1$  indicate the counting sequence 0, 1, 2, . . . , 7, 0. Using this specification of the output and the state assignment in Figure 9.18b, the resulting output expressions are

$$\begin{aligned} z_1 &= y_1 \oplus y_2 \oplus y_3 \\ z_2 &= y_2 \oplus y_3 \\ z_3 &= y_3 \end{aligned}$$

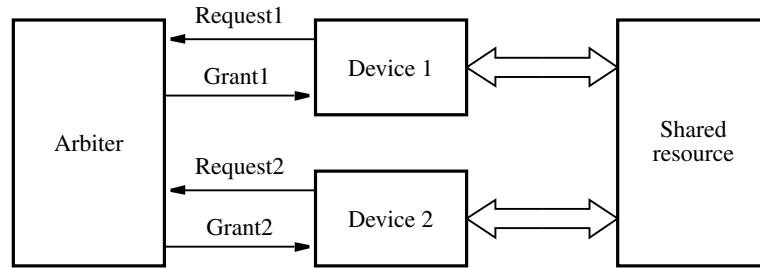
---

**A SIMPLE ARBITER** In computer systems it is often useful to have some resource shared by a number of different devices. Usually, the resource can be used by only one device at a time. When various devices need to use the resource, they have to request to do so. These requests are handled by an arbiter circuit. When there are two or more outstanding requests, the arbiter may use some priority scheme to choose one of them, as already discussed in Section 6.8.

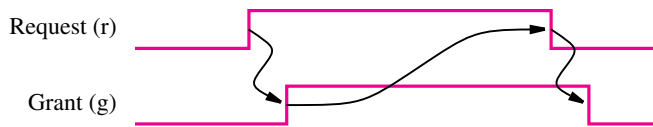
### Example 9.6

We will now consider an example of a simple arbiter implemented as an asynchronous sequential circuit. To keep the example small, suppose that two devices are competing for the shared resource, as indicated in Figure 9.19a. Each device communicates with the arbiter by means of two signals—*Request* and *Grant*. When a device needs to use the shared resource, it raises its Request signal to 1. Then it waits until the arbiter responds with the Grant signal.

Figure 9.19b illustrates a commonly used scheme for communication between two entities in the asynchronous environment, known as *handshake signaling*. Two signals are



(a) Arbitration structure



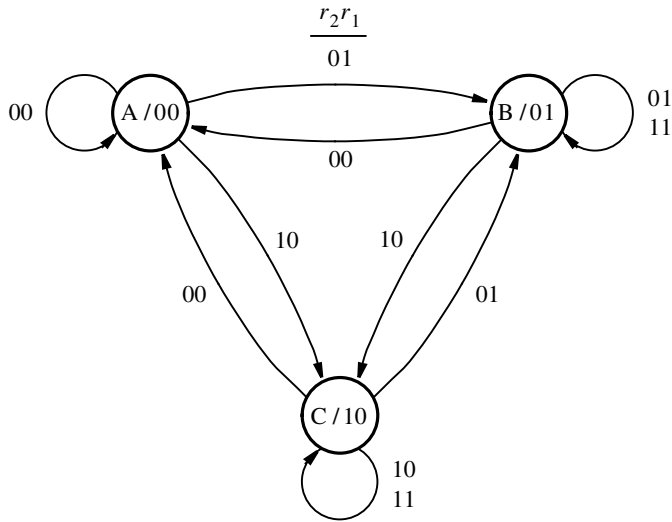
(b) Handshake signaling

**Figure 9.19** Arbitration example.

used to provide the handshake. A device initiates the activity by raising a request,  $r = 1$ . When the shared resource is available, the arbiter responds by issuing a grant,  $g = 1$ . When the device receives the grant signal, it proceeds to use the requested shared resource. When it completes its use of the resource, it drops its request by setting  $r = 0$ . When the arbiter sees that  $r = 0$ , it deactivates the grant signal, making  $g = 0$ . The arrows in the figure indicate the cause-effect relationships in this signaling scheme; a change in one signal causes a change in the other signal. The time elapsed between the changes in the cause-effect signals depends on the specific implementation of the circuit. A key point is that there is no need for a synchronizing clock.

A state diagram for our simple arbiter is given in Figure 9.20. There are two inputs, the request signals  $r_1$  and  $r_2$ , and two outputs, the grant signals  $g_1$  and  $g_2$ . The diagram depicts the Moore model of the required FSM, where the arcs are labeled as  $r_2r_1$  and the state outputs as  $g_2g_1$ . The quiescent state is *A*, where there are no requests. State *B* represents the situation in which Device 1 is given permission to use the resource, and state *C* denotes the same for Device 2. Thus *B* is stable if  $r_2r_1 = 01$ , and *C* is stable if  $r_2r_1 = 10$ . To conform to the rules of asynchronous circuit design, we will assume that the inputs  $r_1$  and  $r_2$  become activated one at a time. Hence, in state *A* it is impossible to have a change from  $r_2r_1 = 00$  to  $r_2r_1 = 11$ . The situation where  $r_2r_1 = 11$  occurs only when a second request is raised before the device that has the grant signal completes its use of the shared resource, which can happen in states *B* and *C*. If the FSM is stable in either state *B* or *C*, it will remain in this state if both  $r_1$  and  $r_2$  go to 1.

The flow table is given in Figure 9.21*a*, and the excitation table is presented in Figure 9.21*b*. It is impossible to choose a state assignment such that all changes between states



**Figure 9.20** State diagram for the arbiter.

Present state	Next state				Output $g_2g_1$
	$r_2r_1 = 00$	01	10	11	
A	(A)	B	C	-	00
B	A	(B)	C	(B)	01
C	A	B	(C)	(C)	10

(a) Flow table

Present state	$y_2y_1$	Next state				Output $g_2g_1$
		$r_2r_1 =$				
		00	01	10	11	
A	00	(00)	01	10	-	00
B	01	00	(01)	10	(01)	01
C	10	00	01	(10)	(10)	10
D	11	-	01	10	-	<i>dd</i>

(b) Excitation table

**Figure 9.21** Implementation of the arbiter.

$A$ ,  $B$ , and  $C$  involve a change in a single state variable only. In the chosen assignment the transitions to or from state  $A$  are handled properly, but the transitions between states  $B$  and  $C$  involve changes in the values of both state variables  $y_1$  and  $y_2$ . Suppose that the circuit is stable in state  $B$  under input valuation  $r_2r_1 = 11$ . Now let the inputs change to  $r_2r_1 = 10$ . This should cause a change to state  $C$ , which means that the state variables must change from  $y_2y_1 = 01$  to  $10$ . If  $y_1$  changes faster than  $y_2$ , then the circuit will find itself momentarily in state  $y_2y_1 = 00$ , which leads to the desired final state because from state  $A$  there is a specified transition to  $C$  under the input valuation  $10$ . But if  $y_2$  changes faster than  $y_1$ , the circuit will reach the state  $y_2y_1 = 11$ , which is not defined in the flow table. To make sure that even in this case the circuit will proceed to the required destination  $C$ , we can include the state  $y_2y_1 = 11$ , labeled  $D$ , in the excitation table and specify the required transition as shown in the figure. A similar situation arises when the circuit is stable in  $C$  under  $r_2r_1 = 11$ , and it has to change to  $B$  when  $r_2$  changes from  $1$  to  $0$ .

The output values for the extra state  $D$  are indicated as don't cares. Whenever a specific output is changing from  $0$  to  $1$  or from  $1$  to  $0$ , exactly when this change takes place is not important if the correct value is produced when the circuit is in a stable state. The don't-care specification may lead to a simpler realization of the output functions. It is important to ensure that unspecified outputs will not result in a value that may cause erroneous behavior. From Figure 9.21*b* it is possible that during the short time when the circuit passes through the unstable state  $D$  the outputs become  $g_2g_1 = 11$ . This is harmless in our example because the device that has just finished using the shared resource will not try to use it again until its grant signal has returned to  $0$  to indicate the end of the handshake with the arbiter. Observe that if this condition occurs when changing from  $B$  to  $C$ , then  $g_1$  remains  $1$  slightly longer and  $g_2$  becomes  $1$  slightly earlier. Similarly, if the transition is from  $C$  to  $B$ , then the change in  $g_1$  from  $0$  to  $1$  happens slightly earlier and  $g_2$  changes to  $0$  slightly later. In both of these cases there is no glitch on either  $g_1$  or  $g_2$ .

From the excitation table the following next-state and output expressions are derived

$$Y_1 = \bar{r}_2r_1 + r_1\bar{y}_2$$

$$Y_2 = r_2\bar{r}_1 + r_2y_2$$

$$g_1 = y_1$$

$$g_2 = y_2$$

Rewriting the first two expressions as

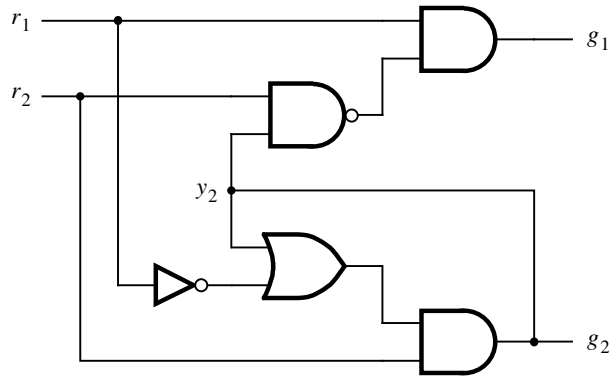
$$Y_1 = r_1(\bar{r}_2 + \bar{y}_2)$$

$$= r_1\overline{r_2y_2}$$

$$Y_2 = r_2(\bar{r}_1 + y_2)$$

produces the circuit in Figure 9.22. Observe that this circuit responds very quickly to the changes in the input signals. This behavior is in sharp contrast to the arbiter discussed in Section 6.8 in which the synchronizing clock determines the minimum response time.

The difficulty with the race condition that arises in state changes between  $B$  and  $C$  can be resolved in another way. We can simply prevent the circuit from reaching an unspecified state. Figure 9.23*a* shows a modified flow table in which transitions between states  $B$  and



**Figure 9.22** The arbiter circuit.

Present state	Next state				Output $g_2g_1$
	$r_2r_1 = 00$	01	10	11	
A	Ⓐ B	C	-		00
B	A	Ⓑ	A	Ⓑ	01
C	A	A	Ⓒ	Ⓒ	10

(a) Modified flow table

Present state $y_2y_1$	Next state				Output $g_2g_1$
	$r_2r_1 = 00$	01	10	11	
	$Y_2Y_1$				
00	Ⓐ	01	10	-	00
01	00	Ⓑ	00	Ⓑ	01
10	00	00	Ⓒ	Ⓒ	10

(b) Modified excitation table

**Figure 9.23** An alternative for avoiding a critical race in Figure 9.21 a.



$C$  are made via state  $A$ . If the circuit is stable in  $B$  and the input valuation changes from  $r_2r_1 = 11$  to  $10$ , a change to  $A$  will occur first. As soon as the circuit reaches  $A$ , which is not stable for the input valuation  $10$ , it will proceed to the stable state  $C$ . The detour through the unstable state  $A$  is acceptable because in this state the output is  $g_2g_1 = 00$ , which is consistent with the desired operation of the arbiter. The change from  $C$  to  $B$  is handled using the same approach. From the modified excitation table in Figure 9.23b, the following next-state expressions are derived

$$Y_1 = r_1\bar{y}_2$$

$$Y_2 = \bar{r}_1r_2\bar{y}_1 + r_2y_2$$

These expressions give rise to a circuit different from the one in Figure 9.22. However, both circuits implement the functionality required in the arbiter.

Next we will attempt to design the same arbiter using the Mealy model specification. From Figure 9.20 it is apparent that the states  $B$  and  $C$  are fundamentally different because for the input  $r_2r_1 = 11$  they must produce two different outputs. But state  $A$  is unique only to the extent that it generates the output  $g_2g_1 = 00$  whenever  $r_2r_1 = 00$ . This condition could be specified in both  $B$  and  $C$  if the Mealy model is used. Figure 9.24 gives a suitable state diagram. The flow and excitation tables are presented in Figure 9.25, which lead to the following expressions

$$Y = r_2\bar{r}_1 + \bar{r}_1y + r_2y$$

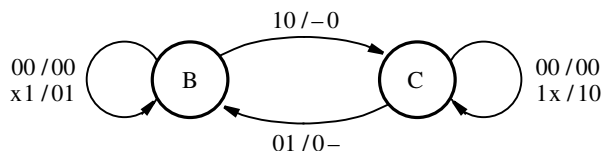
$$g_1 = r_1\bar{y}$$

$$g_2 = r_2y$$

Despite needing a single state variable, this circuit requires more gates for implementation than does the Moore version in Figure 9.22.

An important notion in the above examples is that it is necessary to pay careful attention to the state assignment, to avoid races in changing of the values of the state variables. Section 9.5 deals with this issue in more detail.

We made the basic assumption that the request inputs to the arbiter FSM change their values one at a time, which allows the circuit to reach a stable state before the next change takes place. If the devices are totally independent, they can raise their requests at any time. Suppose that each device raises a request every few seconds. Since the arbiter circuit needs only a few nanoseconds to change from one stable state to another, it is quite unlikely that both devices will raise their requests so close to each other that the arbiter circuit will produce erroneous outputs. However, while the probability of an error caused by the simultaneous



**Figure 9.24** Mealy model for the arbiter FSM.

Present state	Next state				Output $g_2g_1$			
	$r_2r_1 = 00$	01	10	11	00	01	10	11
B	Ⓟ	Ⓟ	C	Ⓟ	00	01	10	01
C	Ⓟ	B	Ⓟ	Ⓟ	00	01	10	10

(a) Flow diagram

Present state	Next state				Output			
	$r_2r_1 = 00$	01	10	11	00	01	10	11
$y$	$Y$				$g_2g_1$			
0	Ⓟ	Ⓟ	1	Ⓟ	00	01	10	01
1	Ⓟ	0	Ⓟ	Ⓟ	00	01	10	10

(b) Excitation table

**Figure 9.25** Mealy model implementation of the arbiter FSM.

arrival of requests is extremely low, it is not zero. If this small possibility of an error cannot be tolerated, then it is possible to feed the request signals through a special circuit called the *mutual exclusion* (ME) element. This circuit has two inputs and two outputs. If both inputs are 0, then both outputs are 0. If only one input is 1, then the corresponding output is 1. If both inputs are 1, the circuit makes one output go to 1 and keeps the other at 0. Using the ME element would change the design of the arbiter slightly; because the valuation  $r_2r_1 = 11$  would never occur, all entries in the corresponding column in Figure 9.21 would be don't cares. The ME element and the issue of simultaneous changes in input signals are discussed in detail in reference [6]. Finally, we should note that a similar problem arises in synchronous circuits in which one or more inputs are generated by a circuit that is not controlled by a common clock, as discussed in Section 7.8.3.

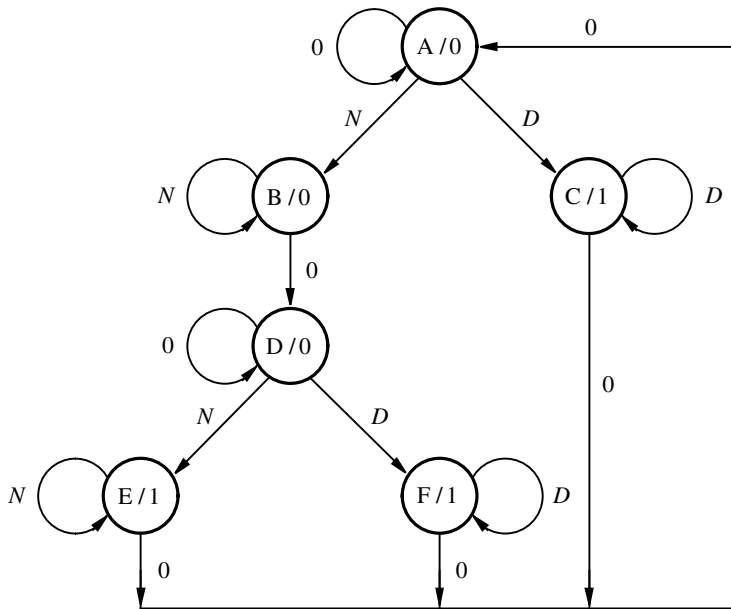
## 9.4 STATE REDUCTION

In Chapter 6 we saw that reducing the number of states needed to realize the functionality of a given FSM usually leads to fewer state variables, which means that fewer flip-flops are required in the corresponding synchronous sequential circuit. In asynchronous sequential circuits it is also useful to try to reduce the number of states because this usually results in simpler implementations.

When designing an asynchronous FSM, the initial flow table is likely to have many unspecified (don't-care) entries, because the designer has to obey the restriction that only one input variable can change its value at a time. For example, suppose that we want to design the FSM for the simple vending machine considered in Example 9.3. Recall that the machine accepts nickels and dimes and dispenses candy when 10 cents is deposited; the machine does not give change if 15 cents is deposited. An initial state diagram for this FSM can be derived in straightforward fashion by enumerating all possible sequences of depositing the coins to give a sum of at least 10 cents. Figure 9.26a shows a possible diagram, defined as a Moore model. Starting in a reset state,  $A$ , the FSM remains in this state as long as no coin is deposited. This is denoted by an arc labeled 0 to indicate that  $N = D = 0$ . Now let an arc with the label  $N$  denote that the coin-sensing mechanism has detected a nickel and has generated a signal  $N = 1$ . Similarly, let  $D$  denote that a dime has been deposited. If  $N = 1$ , then the FSM has to move to a new state, say,  $B$ , and it must remain stable in this state as long as  $N$  has the value of 1. Since  $B$  corresponds to 5 cents being deposited, the output in this state has to be 0. If a dime is deposited in state  $A$ , then the FSM must move to a different state, say,  $C$ . The machine should stay in  $C$  as long as  $D = 1$ , and it should release the candy by generating the output of 1. These are the only possible transitions from state  $A$ , because it is impossible to insert two coins at the same time, which means that  $DN = 11$  can be treated as a don't-care condition. Next, in state  $B$  there must be a return to the condition  $DN = 00$  because the coin-sensing mechanism will detect the second coin some time after the first coin has cleared the mechanism. This behavior is consistent with the requirement that only one input variable can change at a time; hence it is not allowed to go from  $DN = 01$  to  $DN = 10$ . The input  $DN = 10$  cannot occur in state  $B$  and should be treated as a don't care. The input  $DN = 00$  takes the FSM to a new state,  $D$ , which indicates that 5 cents has been deposited and that there is no coin in the sensing mechanism. In state  $D$  it is possible to deposit either a nickel or a dime. If  $DN = 01$ , the machine moves to state  $E$ , which denotes that 10 cents has been deposited and generates the output of 1. If  $DN = 10$ , the machine moves to state  $F$ , which also generates the output of 1. Finally, when the FSM is in any of the states  $C$ ,  $E$ , or  $F$ , the only possible input is  $DN = 00$ , which returns the machine to state  $A$ .

The flow table for this FSM is given in Figure 9.26b. It shows explicitly all don't-care entries. Such unspecified entries provide a certain amount of flexibility that can be exploited in reducing the number of states. Note that in each row of this table there is only one stable state. Such tables, where there is only one stable state for each row, are often referred to as *primitive flow tables*.

Several techniques have been developed for state reduction. In this section we will describe a two-step process. In the first step we will apply the partitioning procedure from Section 6.6.1, assuming that the potentially equivalent rows in a flow table must produce the same outputs. As an additional constraint, for two rows to be potentially equivalent any unspecified entries must be in the same next-state columns. Thus combining the equivalent states into a single state will not remove the don't cares and the flexibility that they provide. In the second step, the rows are *merged* exploiting the unspecified entries. Two rows can be merged if they have no conflicting next-state entries. This means that their next-state entries for any given valuation of inputs are either the same, or one of them is unspecified, or both rows indicate a stable state. If the Moore model is used, then the two rows (states) must produce the same outputs. If the Mealy model is used, then the two states must produce the same outputs for any input valuations for which both states are stable.



(a) Initial state diagram

Present state	Next state				Output $z$
	$DN = 00$	01	10	11	
A	(A)	B	C	-	0
B	D	(B)	-	-	0
C	A	-	(C)	-	1
D	(D)	E	F	-	0
E	A	(E)	-	-	1
F	A	-	(F)	-	1

(b) Initial flow table

**Figure 9.26** Derivation of an FSM for the simple vending machine.

We will now show how the flow diagram in Figure 9.26b can be reduced to the optimized form in Figure 9.12. The first step in the state-reduction process is the partitioning procedure from Section 6.6.1. States  $A$  and  $D$  are stable under the input valuation  $DN = 00$ , producing the output of 0; they also have the unspecified entries in the same position. States  $C$  and  $F$  are stable under  $DN = 10$ , generating  $z = 1$ , and they have the same unspecified entries. States  $B$  and  $E$  have the same unspecified entries, but when they are stable under  $DN = 01$

**Example 9.7**

the state  $B$  produces  $z = 0$  while  $E$  generates  $z = 1$ ; they are not equivalent. Therefore, the initial partition is

$$P_1 = (AD)(B)(CF)(E)$$

The successors of  $A$  and  $D$  are  $(A, D)$  for  $DN = 00$ ,  $(B, E)$  for  $01$ , and  $(C, F)$  for  $10$ . Since the  $(B, E)$  pair is not in the same block of  $P_1$ , it follows that  $A$  and  $D$  are not equivalent. The successors of  $C$  and  $F$  are  $(A, A)$  for  $00$  and  $(C, F)$  for  $10$ ; each pair is in a single block. Thus the second partition is

$$P_2 = (A)(D)(B)(CF)(E)$$

The successors of  $C$  and  $F$  in  $P_2$  are in the same block of  $P_2$ , which means that

$$P_3 = P_2$$

The conclusion is that rows  $C$  and  $F$  are equivalent. Combining them into a single row and changing all  $F$ s into  $C$ s gives the flow table in Figure 9.27.

Next we can try to merge some rows in the flow table by exploiting the existence of unspecified entries. The only row that can be merged with others is  $C$ . It can be merged with either  $A$  or  $E$ , but not both. Merging  $C$  with  $A$  would mean that the new state has to generate  $z = 0$  when it is stable under the input valuation  $00$  and has to produce  $z = 1$  when stable under  $10$ . This can be achieved only by using the Mealy model. The alternative is to merge  $C$  and  $E$ , in which case the new state is stable under  $DN = 01$  and  $10$ , producing the output of  $1$ . This can be achieved with the Moore model. Merging  $C$  and  $E$  into a single state  $C$  and changing all  $E$ s into  $C$ s yields the reduced flow table in Figure 9.12. Observe that when  $C$  and  $E$  are merged, the new row  $C$  must include all specifications in both rows  $C$  and  $E$ . Both rows specify  $A$  as the next state if  $DN = 00$ . Row  $E$  specifies a stable state for  $DN = 01$ ; hence the new row (called  $C$ ) must also specify a stable state for the same valuation. Similarly, row  $C$  specifies a stable state for  $DN = 10$ , which must be reflected in the new row. Therefore, the next-state entries in the new row are  $A$ ,  $\textcircled{C}$ , and  $\textcircled{C}$  for the input valuations  $00$ ,  $01$ , and  $10$ , respectively.

Present state	Next state				Output $z$
	$DN = 00$	$01$	$10$	$11$	
A	$\textcircled{A}$	B	C	–	0
B	D	$\textcircled{B}$	–	–	0
C	A	–	$\textcircled{C}$	–	1
D	$\textcircled{D}$	E	C	–	0
E	A	$\textcircled{E}$	–	–	1

**Figure 9.27** First-step reduction of the FSM in Figure 9.26b.

### Merging Procedure

In Example 9.7 it was easy to decide which rows should be merged because the only possibilities are to merge row  $C$  with either  $A$  or  $E$ . We chose to merge  $C$  and  $E$  because this can be done preserving the Moore model, which is likely to lead to a simpler expression that realizes the output  $z$ .

In general, there can be many possibilities for merging rows in larger flow tables. In such cases it is necessary to have a more structured procedure for making the choice. A useful procedure can be defined using the concept of *compatibility* of states.

**Definition 9.1** – Two states (rows in a flow table),  $S_i$  and  $S_j$ , are said to be compatible if there are no state conflicts for any input valuation. Thus for each input valuation, one of the following conditions must be true:

- both  $S_i$  and  $S_j$  have the same successor, or
- both  $S_i$  and  $S_j$  are stable, or
- the successor of  $S_i$  or  $S_j$ , or both, is unspecified.

Moreover, both  $S_i$  and  $S_j$  must have the same output whenever specified.

Consider the primitive flow table in Figure 9.28. Let us examine the compatibility between different states, assuming that we would like to retain the Moore-type specification of outputs for this FSM. State  $A$  is compatible only with state  $H$ . State  $B$  is compatible with states  $F$  and  $G$ . State  $C$  is not compatible with any other state. State  $D$  is compatible with state  $E$ ; so are state  $F$  with  $G$  and state  $G$  with  $H$ . In other words, the following compatible pairs exist:  $(A, H)$ ,  $(B, F)$ ,  $(B, G)$ ,  $(D, E)$ ,  $(F, G)$ , and  $(G, H)$ . The compatibility relationship among various states can be represented conveniently in the form of a *merger diagram*, as follows:

Present state	Next state				Output $z$
	$w_2w_1 = 00$	01	10	11	
A	Ⓐ	H	B	–	0
B	F	–	Ⓑ	C	0
C	–	H	–	Ⓒ	1
D	A	Ⓓ	–	E	1
E	–	D	G	Ⓔ	1
F	Ⓕ	D	–	–	0
G	F	–	Ⓖ	–	0
H	–	Ⓗ	–	E	0

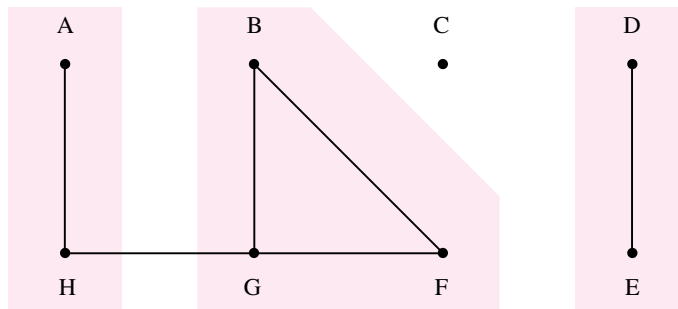
**Figure 9.28** A primitive flow table.

- Each row of the flow table is represented as a point, labeled by the name of the row.
- A line is drawn connecting any two points that correspond to compatible states (rows).

From the merger diagram the best merging possibility can be chosen, and the reduced flow table can be derived.

Figure 9.29 gives the merger diagram for the primitive flow table in Figure 9.28. The diagram indicates that row *A* can be merged with *H*, but only if *H* is not merged with *G*, because there is no line joining *A* and *G*. Row *B* can be merged with rows *F* and *G*. Since it is also possible to merge *F* and *G*, it follows that *B*, *F*, and *G* are pairwise compatible. Any set of rows that are pairwise compatible for all pairs in the set can be merged into a single state. Thus states *B*, *F*, and *G* can be merged into a single state, but only if states *G* and *H* are not merged. State *C* cannot be merged with any other state. States *D* and *E* can be merged.

A prudent strategy is to merge the states so that the resulting flow table has as few states as possible. In our example the best choice is to merge the compatibles (*A*, *H*), (*B*, *F*, *G*), and (*D*, *E*), which leads to the reduced flow table in Figure 9.30. When a new row is



**Figure 9.29** Merger diagram for the flow table in Figure 9.28, which preserves the Moore model.

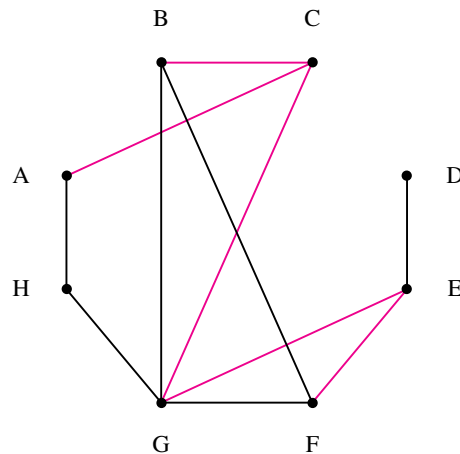
Present state	Next state				Output <i>z</i>
	$w_2w_1 = 00$	01	10	11	
A	(A)	(A)	B	D	0
B	(B)	D	(B)	C	0
C	-	A	-	(C)	1
D	A	(D)	B	(D)	1

**Figure 9.30** Reduced Moore-type flow table for the FSM in Figure 9.28.

created by merging two or more rows, all entries in the new row have to be specified to cover the individual requirements of the constituent rows. Replacing rows *A* and *H* with a new row *A* requires making *A* stable for both  $w_2w_1 = 00$  and  $01$ , because the old *A* has to be stable for  $00$  and *H* has to be stable for  $01$ . It also requires specifying *B* as the next-state for  $w_2w_1 = 10$  and *E* as the next state for  $w_2w_1 = 11$ . Since the old state *E* becomes *D*, after merging *D* and *E*, the new row *A* must have the next-state entries  $\textcircled{A}$ ,  $\textcircled{A}$ , *B*, and *D* for the input valuations  $00$ ,  $01$ ,  $10$ , and  $11$ , respectively. Replacing rows *B*, *F*, and *G* with a new row *B* requires making *B* stable for  $w_2w_1 = 00$  and  $10$ . The next-state entry for  $w_2w_1 = 01$  has to be *D* to satisfy the requirement of the old state *F*. The next-state entry for  $w_2w_1 = 11$  has to be *C*, as dictated by the old state *B*. Observe that the old state *G* imposes no requirements for transitions under  $w_2w_1 = 01$  and  $11$ , because its corresponding next-state entries are unspecified. Row *C* remains the same as before except that the name of the next-state entry for  $w_2w_1 = 01$  has to be changed from *H* to *A*. Rows *D* and *E* are replaced by a new row *D*, using similar reasoning. Note that the flow table in Figure 9.30 is still of Moore type.

So far we considered merging only those rows that would allow us to retain the Moore-type specification of the FSM in Figure 9.28. If we are willing to change to the Mealy model, then other possibilities exist for merging. Figure 9.31 shows the complete merger diagram for the FSM of Figure 9.28. Black lines connect the compatible states that can be merged into a new state that has a Moore-type output; this corresponds to the merger diagram in Figure 9.29. Blue lines connect the states that can be merged only if Mealy-type outputs are used.

In this case going to the Mealy model is unlikely to result in a simpler circuit. Although several merger possibilities exist, they all require at least four states in the reduced flow table, which is not any better than the solution obtained in Figure 9.30. For example, one possibility is to perform the merge based on the partition  $(A, H)$ ,  $(B, C, G)$ ,  $(D, E)$ ,  $(F)$ .



**Figure 9.31** Complete merger diagram for Figure 9.28.



Another possibility is to use  $(A, C)$   $(B, F)$   $(D, E)$   $(G, H)$ . We will not pursue these possibilities and will discuss the issues involved in specifying the Mealy-type outputs in Example 9.9.

### State Reduction Procedure

We can summarize the steps needed to generate the reduced flow table from a primitive flow table as follows:

1. Use the partitioning procedure to eliminate the equivalent states in a primitive flow table.
2. Construct a merger diagram for the resulting flow table.
3. Choose subsets of compatible states that can be merged, trying to minimize the number of subsets needed to cover all states. Each state must be included in only one of the chosen subsets.
4. Derive the reduced flow table by merging the rows in chosen subsets.
5. Repeat steps 2 to 4 to see whether further reductions are possible.

Choosing an optimal subset of compatible states for merging can be a very complicated task because for large FSMs there may be many possibilities that should be investigated. A trial-and-error approach is a reasonable way to tackle this problem.

---

**Example 9.8** Consider the initial flow table in Figure 9.32. To apply the partitioning procedure, we identify state pairs  $(A, G)$ ,  $(B, L)$ , and  $(H, K)$  as being potentially equivalent rows, because both rows in each pair have the same outputs and their don't-care entries are in the same column. The remaining rows are distinct in this respect. Therefore, the first partition is

$$P_1 = (AG)(BL)(C)(D)(E)(F)(HK)(J)$$

Now the successors of  $(A, G)$  are  $(A, G)$  for  $w_2w_1 = 00$ ,  $(F, B)$  for  $01$ , and  $(C, J)$  for  $10$ . Since  $F$  and  $B$ , as well as  $C$  and  $J$ , are not in the same block, it follows that  $A$  and  $G$  are not equivalent. The successors of  $(B, L)$  are  $(A, A)$ ,  $(B, L)$ , and  $(H, K)$ , respectively. All are in single blocks. The successors of  $(H, K)$  are  $(L, B)$ ,  $(E, E)$ , and  $(H, K)$ , which are all contained in single blocks. Therefore, the second partition is

$$P_2 = (A)(G)(BL)(C)(D)(E)(F)(HK)(J)$$

Repeating the successor test shows that the successors of  $(B, L)$  and  $(H, K)$  are still in single blocks; hence

$$P_3 = P_2$$

Combining rows  $B$  and  $L$  under the name  $B$  and rows  $H$  and  $K$  under the name  $H$  leads to the flow table in Figure 9.33.

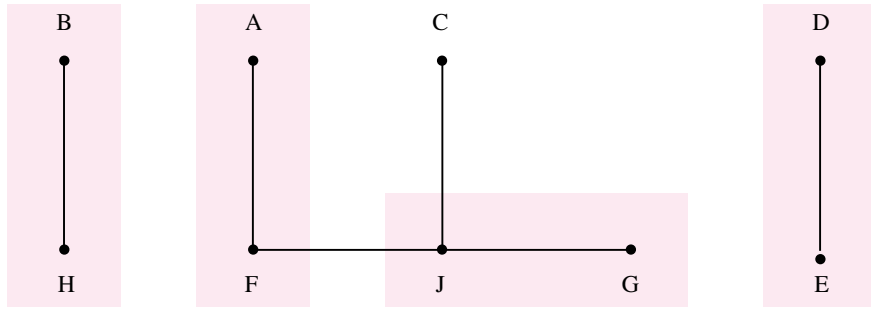
A merger diagram for this flow table is given in Figure 9.34. It indicates that rows  $B$  and  $H$  should be merged into one row, which we will label as  $B$ . The merger diagram also suggests that rows  $D$  and  $E$  should be merged; we will call the new row  $D$ . The remaining rows present more than one choice for merging. Rows  $A$  and  $F$  can be merged, but in that

Present state	Next state				Output $z$
	$w_2w_1 = 00$	01	10	11	
A	(A)	F	C	-	0
B	A	(B)	-	H	1
C	G	-	(C)	D	0
D	-	F	-	(D)	1
E	G	-	(E)	D	1
F	-	(F)	-	K	0
G	(G)	B	J	-	0
H	-	L	E	(H)	1
J	G	-	(J)	-	0
K	-	B	E	(K)	1
L	A	(L)	-	K	1

**Figure 9.32** Flow table for Example 9.8.

Present state	Next state				Output $z$
	$w_2w_1 = 00$	01	10	11	
A	(A)	F	C	-	0
B	A	(B)	-	H	1
C	G	-	(C)	D	0
D	-	F	-	(D)	1
E	G	-	(E)	D	1
F	-	(F)	-	H	0
G	(G)	B	J	-	0
H	-	B	E	(H)	1
J	G	-	(J)	-	0

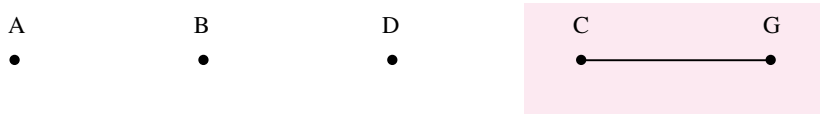
**Figure 9.33** Reduction obtained by using the partitioning procedure.



**Figure 9.34** Merger diagram for Figure 9.33.

Present state	Next state				Output $z$
	$w_2w_1 = 00$	01	10	11	
A	(A)	(A)	C	B	0
B	A	(B)	D	(B)	1
C	G	-	(C)	D	0
D	G	A	(D)	(D)	1
G	(G)	B	(G)	-	0

**Figure 9.35** Reduction obtained from the merger diagram in Figure 9.34.



**Figure 9.36** Merger diagram for Figure 9.35.

case  $F$  and  $J$  cannot be merged. Rows  $C$  and  $J$  can be merged, or  $G$  and  $J$  can be merged. We will choose to merge the rows  $A$  and  $F$  into a new row called  $A$  and rows  $G$  and  $J$  into a new row  $G$ . The merger choice is indicated in blue in the diagram. The resultant flow table is shown in Figure 9.35. To see whether this table offers any further opportunities for merging, we can construct the merger diagram in Figure 9.36. From this diagram it is apparent that rows  $C$  and  $G$  can be merged; let the new row be called  $C$ . This leads to the flow table in Figure 9.37, which cannot be reduced any more.

Present state	Next state				Output $z$
	$w_2w_1 = 00$	01	10	11	
A	(A)	(A)	C	B	0
B	A	(B)	D	(B)	1
C	(C)	B	(C)	D	0
D	C	A	(D)	(D)	1

**Figure 9.37** Reduced flow table for Example 9.8.

Present state	Next state				Output $z$
	$w_2w_1 = 00$	01	10	11	
A	(A)	G	E	-	0
B	K	-	(B)	D	0
C	F	(C)	-	H	1
D	-	C	E	(D)	0
E	A	-	(E)	D	1
F	(F)	C	J	-	0
G	K	(G)	-	D	1
H	-	-	E	(H)	1
J	F	-	(J)	D	0
K	(K)	C	B	-	0

**Figure 9.38** Flow table for Example 9.9.

Consider the flow table in Figure 9.38. Applying the partitioning procedure to this table gives **Example 9.9**

$$P_1 = (AFK)(BJ)(CG)(D)(E)(H)$$

$$P_2 = (A)(FK)(BJ)(C)(G)(D)(E)(H)$$

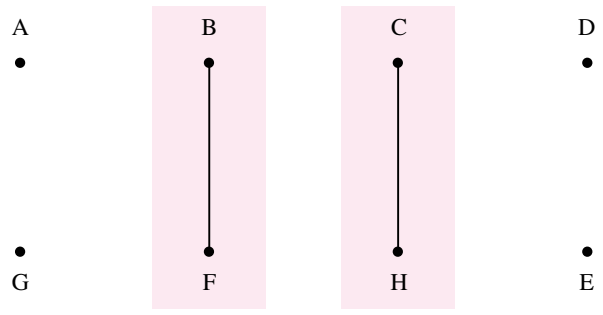
$$P_3 = P_2$$

Combining  $B$  and  $J$  into a new state  $B$ , and  $F$  and  $K$  into  $F$ , gives the flow table in Figure 9.39.

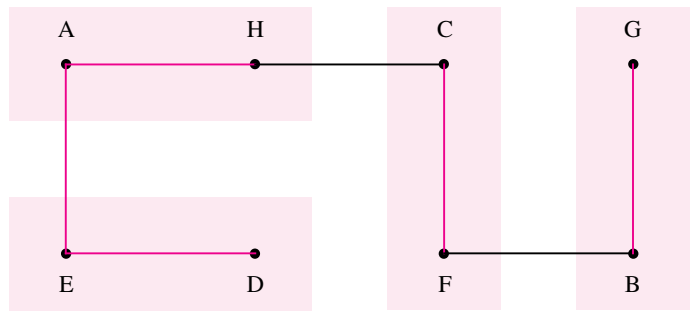
Figure 9.40a gives a merger diagram for this flow table, indicating the possibilities for merger if the Moore model of the FSM is to be preserved. In this case  $B$  and  $F$  can be merged, as well as  $C$  and  $H$ , resulting in a six-row flow table.

Present state	Next state				Output $z$
	$w_2w_1 = 00$	01	10	11	
A	Ⓐ	G	E	-	0
B	F	-	Ⓑ	D	0
C	F	Ⓒ	-	H	1
D	-	C	E	Ⓓ	0
E	A	-	Ⓔ	D	1
F	Ⓕ	C	B	-	0
G	F	Ⓖ	-	D	1
H	-	-	E	Ⓗ	1

**Figure 9.39** Reduction resulting from the partitioning procedure.



(a) Preserving the Moore model



(b) Complete merger diagram

**Figure 9.40** Merger diagrams for Figure 9.39.

Next we should consider the merging possibilities if we are willing to change to the Mealy model. When going from the Moore model to the Mealy model, a stable state in the Mealy model must generate the same output as it had in the Moore model. It is also important to ensure that transitions in the Mealy model will not produce undesirable glitches in the output signal.

Figure 9.41 indicates how the FSM of Figure 9.39 can be represented in the Mealy form. The next-state entries are unchanged. In Figure 9.41, for each stable state the output value must be the same as for the corresponding row of the Moore-type table. For example,  $z = 0$  when the state  $A$  is stable under  $w_2w_1 = 00$ . Also,  $z = 0$  when the states  $B, D,$  and  $F$  are stable under  $w_2w_1 = 10, 11,$  and  $00,$  respectively. Similarly,  $z = 1$  when  $C, E, G,$  and  $H$  are stable under  $w_2w_1 = 01, 10, 01,$  and  $11,$  respectively. If a transition from one stable state to another requires the output to change from 0 to 1, or from 1 to 0, then the exact time when the change takes place is not important, as we explained in Section 9.1 when discussing Figure 9.3. For instance, suppose that the FSM is stable in  $A$  under  $w_2w_1 = 00$ , producing  $z = 0$ . If the inputs then change to  $w_2w_1 = 01$ , a transition to state  $G$  must be made, where  $z = 1$ . Since it is not essential that  $z$  becomes 1 before the circuit reaches the state  $G$ , the output entry in row  $A$  that corresponds to this transition can be treated as a don't care; therefore, it is left unspecified in the table. From the stable state  $A$ , it is also possible to change to  $E$ , which allows specifying another don't care because  $z$  changes from 0 to 1. A different situation arises in row  $B$ . Suppose that the circuit is stable in  $B$  under  $w_2w_1 = 10$  and that the inputs change to 11. This has to cause a change to stable state  $D$ , and  $z$  must remain at 0 throughout the change in states. Hence the output in row  $B$  under  $w_2w_1 = 11$  is specified as 0. If it were left unspecified, to be used as a don't care, then it is possible that in the implementation of the circuit this don't care may be treated as a 1. This would cause a glitch in  $z$ , which would change  $0 \rightarrow 1 \rightarrow 0$  as the circuit moves from  $B$  to  $D$  when the inputs change from 10 to 11. The same situation occurs for the transition from  $B$  to  $F$  when

Present state	Next state				Output $z$			
	$w_2w_1 = 00$	01	10	11	00	01	10	11
A	(A)	G	E	-	0	-	-	-
B	F	-	(B)	D	0	-	0	0
C	F	(C)	-	H	-	1	-	1
D	-	C	E	(D)	-	-	-	0
E	A	-	(E)	D	-	-	1	-
F	(F)	C	B	-	0	-	0	-
G	F	(G)	-	D	-	1	-	-
H	-	-	E	(H)	-	-	1	1

**Figure 9.41** The FSM of Figure 9.39 specified in the form of the Mealy model.

the inputs change from 10 to 00. We can use the same reasoning to determine other output entries in Figure 9.41.

From Figure 9.41 we can derive the merger diagram in Figure 9.40*b*. The blue lines connect the rows that can be merged only by specifying the output in the Mealy style. The black lines connect the rows that can be merged even if the outputs are of Moore type; they correspond to the diagram in Figure 9.40*a*. Choosing the subsets of compatible states  $(A, H)$ ,  $(B, G)$ ,  $(C, F)$ , and  $(D, E)$ , the FSM can be represented using only four states. Merging the states  $A$  and  $H$  into a new state  $A$ , states  $B$  and  $G$  into  $B$ , states  $C$  and  $F$  into  $C$ , and  $D$  and  $E$  into  $D$ , we obtain the reduced flow table in Figure 9.42. Each entry in this table meets the requirements specified in the corresponding rows that were merged.

**Example 9.10** As another example consider the flow table in Figure 9.43. The partitioning procedure gives

$$P_1 = (AF)(BEG)(C)(D)(H)$$

$$P_2 = (AF)(BE)(G)(C)(D)(H)$$

$$P_3 = P_2$$

Present state	Next state				Output $z$			
	$w_2w_1 = 00$	01	10	11	00	01	10	11
A	Ⓐ	B	D	Ⓐ	0	–	1	1
B	C	Ⓑ	Ⓑ	D	0	1	0	0
C	Ⓒ	Ⓒ	B	A	0	1	0	1
D	A	C	Ⓓ	Ⓓ	–	–	1	0

**Figure 9.42** Reduced flow table for Example 9.9.

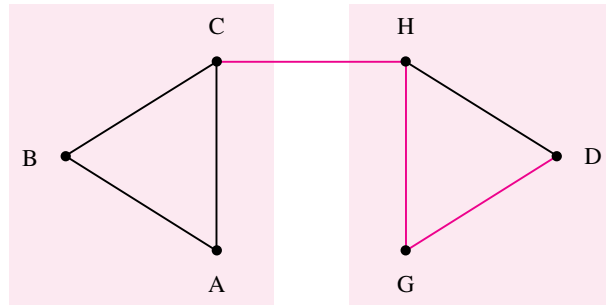
Present state	Next state				Output $z$
	$w_2w_1 = 00$	01	10	11	
A	Ⓐ	B	C	–	0
B	F	Ⓑ	–	H	0
C	F	–	Ⓒ	H	0
D	Ⓓ	G	C	–	1
E	A	Ⓔ	–	H	0
F	Ⓕ	E	C	–	0
G	D	Ⓖ	–	H	0
H	–	G	C	Ⓗ	1

**Figure 9.43** Flow table for Example 9.10.

Replacing state  $F$  with  $A$ , and state  $E$  with  $B$ , results in the flow table in Figure 9.44. The corresponding merger diagram is presented in Figure 9.45. It is apparent that states  $A$ ,  $B$ , and  $C$  can be merged and replaced with a new state  $A$ . Also  $D$ ,  $G$ , and  $H$  can be merged into a new state  $D$ . The result is the reduced flow table in Figure 9.46, which has only two rows. Again we have used the Mealy model because the merged stable states  $D$  and  $H$  have  $z = 1$  while  $G$  has  $z = 0$ .

Present state	Next state				Output $z$
	$w_2w_1 = 00$	01	10	11	
A	(A)	B	C	-	0
B	A	(B)	-	H	0
C	A	-	(C)	H	0
D	(D)	G	C	-	1
G	D	(G)	-	H	0
H	-	G	C	(H)	1

**Figure 9.44** Reduction after the partitioning procedure.



**Figure 9.45** Merger diagram for Figure 9.44.

Present state	Next state				Output $z$			
	$w_2w_1 = 00$	01	10	11	00	01	10	11
A	(A)	(A)	(A)	D	0	0	0	-
D	(D)	(D)	A	(D)	1	0	-	1

**Figure 9.46** Reduced flow diagram for Example 9.10.



## 9.5 STATE ASSIGNMENT

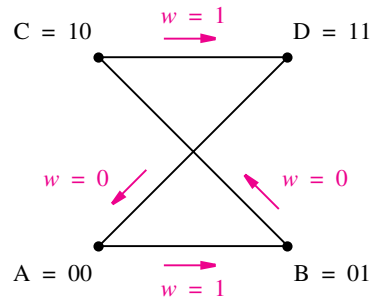
The examples in Section 9.3 illustrate that the state assignment task for asynchronous FSMs is complex. The time needed to change the value of a state variable depends on the propagation delays in the circuit. Thus it is impossible to ensure that a change in the values of two or more variables will take place at exactly the same time. To achieve reliable operation of the circuit, the state variables should change their values one at a time in controlled fashion. This is accomplished by designing the circuit such that a change from one state to another entails a change in one state variable only.

States in FSMs are encoded as bit strings that represent different valuations of the state variables. The number of bit positions in which two given bit strings differ is called the *Hamming distance* between the strings. For example, for bit strings 0110 and 0100 the Hamming distance is 1, while for 0110 and 1101 it is 3. Using this terminology, an ideal state assignment has a Hamming distance of 1 for all transitions from one stable state to another. When the ideal state assignment is not possible, an alternative that makes use of unspecified states and/or transitions through unstable states must be sought. Sometimes it is necessary to increase the number of state variables to provide the needed flexibility.

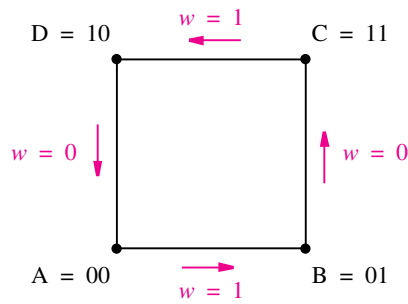
**Example 9.11** Consider the parity-generating FSM in Figure 9.13. Two possible state assignments for this FSM are given in Figure 9.14. The transitions between states, as specified in Figure 9.13b, can be described in pictorial form as shown in Figure 9.47. Each row of the flow table is represented by a point. The four points needed to represent the rows are placed as vertices of a square. Each vertex has an associated code that represents a valuation of the state variables,  $y_2y_1$ . The codes shown in the figure, with  $y_2y_1 = 00$  in the lower-left corner and so on, correspond to the coordinates of the two-dimensional cube presented in Section 8.3.1. Figure 9.47a shows what happens if the state assignment in Figure 9.14a is used; namely, if  $A = 00$ ,  $B = 01$ ,  $C = 10$ , and  $D = 11$ . There is a transition from  $A$  to  $B$  if  $w = 1$ , which requires a change in  $y_1$  only. A transition from  $C$  to  $D$  occurs if  $w = 1$ , which also requires a change in  $y_1$  only. However, a transition from  $B$  to  $C$  caused by  $w = 0$  involves a change in the values of both  $y_2$  and  $y_1$ . Similarly, both state variables must change in going from  $D$  to  $A$  if  $w = 0$ . A change in both variables corresponds to a diagonal path in the diagram.

Figure 9.47b shows the effect of the state assignment in Figure 9.14b, which reverses the valuations assigned to  $C$  and  $D$ . In this case all four transitions are along the edges of the two-dimensional cube, and they involve a change in only one of the state variables. This is the desirable state assignment.

**Example 9.12** The flow table for an arbiter FSM is given in Figure 9.21a. Transitions for this FSM are shown in Figure 9.48a, using the state assignment  $A = 00$ ,  $B = 01$ , and  $C = 10$ . In this case multiple transitions are possible between the states. For example, there are two transitions between  $A$  and  $B$ : from  $B$  to  $A$  if  $r_2r_1 = 00$  and from  $A$  to  $B$  if  $r_2r_1 = 01$ . Again there is a diagonal path, corresponding to transitions between  $B$  and  $C$ , which should be avoided. A possible solution is to introduce a fourth state,  $D$ , as indicated in Figure 9.48b. Now the transitions between  $B$  and  $C$  can take place via the unstable state  $D$ . Thus instead of going



(a) Corresponding to Figure 9.14a



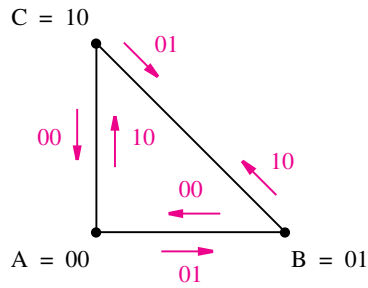
(b) Corresponding to Figure 9.14b

**Figure 9.47** Transitions in Figure 9.13.

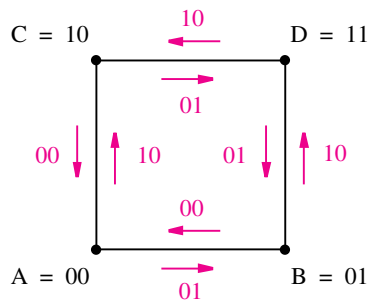
directly from  $B$  to  $C$  when  $r_2r_1 = 10$ , the circuit will go first from  $B$  to  $D$  and then from  $D$  to  $C$ .

Using the arrangement in Figure 9.48b requires modifying the flow table as shown in Figure 9.49. The state  $D$  is not stable for any input valuation. It cannot be reached if  $r_2r_1 = 00$  or  $11$ ; hence these entries are left unspecified in the table. Also observe that we have specified the output  $g_2g_1 = 10$  for state  $D$ , rather than leaving it unspecified. When a transition from one stable state to another takes place via an unstable state, the output of the unstable state must be the same as the output of one of the two stable states involved in the transition to ensure that a wrong output is not generated while passing through the unstable state.

It is interesting to compare this flow table with the excitation table in Figure 9.21b, which is also based on using the extra state  $D$ . In Figure 9.21b the state  $D$  specifies the necessary transitions should the circuit accidentally find itself in this state as a result of a race in changing the values of both state variables. In Figure 9.49 the state  $D$  is used in orderly transitions, which are not susceptible to any race conditions.



(a) Transitions in Figure 9.21a



(b) Using the extra state *D*

**Figure 9.48** Transitions for the arbiter FSM in Figure 9.21.

Present state	Next state				Output $g_2g_1$
	$r_2r_1 = 00$	01	10	11	
A	(A)	B	C	-	00
B	A	(B)	D	(B)	01
C	A	D	(C)	(C)	10
D	-	B	C	-	10

**Figure 9.49** Modified flow table based on the transitions in Figure 9.48b.

### 9.5.1 TRANSITION DIAGRAM

A diagram that illustrates the transitions specified in a flow table is called a *transition diagram*. In some books such diagrams are called *state-adjacency diagrams*. These diagrams provide a convenient aid in searching for a suitable state assignment.

A good state assignment results if the transition diagram does not have any diagonal paths. A general way of stating this requirement is to say that it must be possible to *embed* the transition diagram onto a  $k$ -dimensional cube, because in a cube all transitions between adjacent vertices involve the Hamming distance of 1. Ideally, a transition diagram for an FSM with  $n$  state variables can be embedded onto an  $n$ -dimensional cube, as is the case in the examples in Figures 9.47*b* and 9.48*b*. If this is not possible, then it becomes necessary to introduce additional state variables, as we will see in later examples.

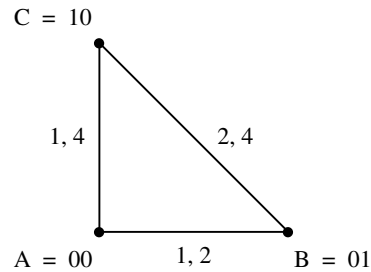
The diagrams in Figures 9.47 and 9.48 present all information pertinent to transitions between the states in the given FSMs. For larger FSMs such diagrams take on a cluttered appearance. A simpler form can be used instead, as described below.

A transition diagram has to show the state transitions for each valuation of the input variables. The direction of a transition, for example from  $A$  to  $B$  or from  $B$  to  $A$ , is not important, because it is only necessary to ensure that all transitions involve the Hamming distance of 1. The transition diagram has to show the effect of individual transitions into each stable state, which may involve passing through unstable states. For a given row of a flow table, it is possible to have two or more stable-state entries for different input valuations. It is useful to identify the transitions leading into these stable states with distinct labels in a transition diagram. To give each stable-state entry a distinct label, we will denote the stable-state entries with numbers 1, 2, 3, . . . . Thus if state  $A$  is stable for two input valuations, we will replace the label  $A$  with 1 for one input valuation and with 2 for the other valuation.

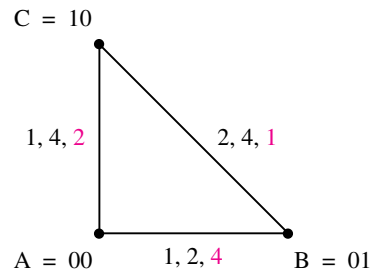
Figure 9.50 shows a relabeled version of the flow table in Figure 9.21*a*. We have arbitrarily chosen to label  $\textcircled{A}$  as 1, the two appearances of  $\textcircled{B}$  as 2 and 3, and the two appearances of  $\textcircled{C}$  as 4 and 5. All entries in each next-state column are labeled using this scheme. The transitions identified by these labels are presented in Figure 9.51*a*. The same information is given in Figure 9.48*a*. Actually, the diagram in Figure 9.48*a* contains more information because arrowheads show the direction of each transition. Note also that the edges in that diagram are labeled with input values  $r_2r_1$ , whereas the edges in Figure 9.51*a* are labeled with numerical stable-state labels as explained above.

Present state	Next state				Output $g_2g_1$
	$r_2r_1 = 00$	01	10	11	
A	$\textcircled{1}$	2	4	–	00
B	1	$\textcircled{2}$	4	$\textcircled{3}$	01
C	1	2	$\textcircled{4}$	$\textcircled{5}$	10

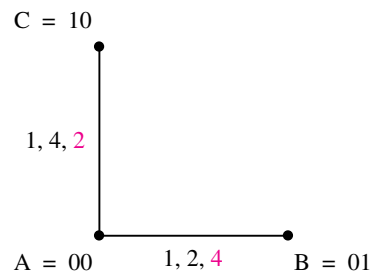
**Figure 9.50** Relabeled flow table of Figure 9.21*a*.



(a) Transitions in Figure 9.50



(b) Complete transition diagram



(c) Selected transition diagram

**Figure 9.51** Transition diagrams for Figure 9.50.

Figure 9.50 indicates that the stable state 2, which is one instance of the stable state  $B$ , can be reached either from state  $A$  or from state  $C$ . There is a corresponding label 2 on the paths connecting the vertices in the diagram in Figure 9.51a. The difficulty from the state-assignment point of view is that the path from  $C$  to  $B$  is diagonal. In Example 9.12 this problem was resolved by introducing a new state  $D$ . By examining the flow table in Figure 9.50 more closely, we can see that the functional behavior of the required arbiter

FSM can be achieved if the transition from  $C$  to  $B$  takes place via state  $A$ . Namely, if the circuit is stable in  $C$ , then the input  $r_2r_1 = 01$  can cause the change to  $A$ , from which the circuit immediately proceeds to state  $B$ . We can indicate the possibility of using this path by placing the label 2 on the edge that connects  $C$  and  $A$  in Figure 9.51a.

A similar situation exists for the transition from  $B$  to  $C$ , which is labeled 4. An alternative path can be realized by causing the circuit to go from state  $B$  to state  $A$  if  $r_2r_1 = 10$  and then immediately proceed to  $C$ . This can be indicated by placing the label 4 on the edge that connects  $B$  and  $A$  in Figure 9.51a.

A possibility of having an alternative path for a transition exists whenever two states have the same uncircled label in the relabeled flow diagram. In Figure 9.50 there is a third such possibility if  $r_2r_1 = 00$ , using the label 1. This possibility is not useful because changing from either  $B$  or  $C$  to  $A$  involves a change in only one state variable using the state assignment in Figure 9.51a. Hence there would be no benefit in having a transition between  $B$  and  $C$  for this input valuation.

To depict the possibility of having alternative paths, we will indicate in blue the corresponding transitions on the diagram. Thus a complete transition diagram will show all direct transitions to stable states in black and possible indirect transitions through unstable states in blue. Figure 9.51b shows the complete transition diagram for the flow table in Figure 9.21a.

The transition diagram in Figure 9.51b cannot be embedded on the two-dimensional cube, because some transitions require a diagonal path. The blue label 1 on the path between  $B$  and  $C$  is of no concern, because it represents only an alternative path that does not have to be used. But the transitions between  $B$  and  $C$  labeled 2 and 4 are required. The diagram shows an alternative path, through  $A$ , having the labels 2 and 4. Therefore, the alternative path can be used, and the diagonal connection in the diagram can be eliminated. This leads to the transition diagram in Figure 9.51c, which can be embedded on the two-dimensional cube. The conclusion is that the state assignment  $A = 00$ ,  $B = 01$ , and  $C = 10$  is good, but the flow table must be modified to specify the transitions through alternative paths. The modified table is the same as the flow table designed earlier using an ad hoc approach, shown in Figure 9.23a.

As a final comment on this example, note the impact of alternative paths on the outputs produced by the FSM. If  $r_2r_1 = 01$ , then a change from a stable state  $C$  through unstable  $A$  to stable  $B$  generates the outputs  $g_2g_1 = 10 \rightarrow 00 \rightarrow 01$ , rather than  $10 \rightarrow 01$  as specified in Figure 9.21a. For the arbiter FSM this presents no problem, as explained in Example 9.6.

### Procedure for Deriving Transition Diagrams

The transition diagram is derived from a flow table as follows:

- Derive the relabeled flow table as explained above. For a given input valuation, all transitions that lead to the same stable state are labeled with the same number. Transitions through unstable states that eventually lead to a stable state are given the same number as the stable-state entry.
- Represent each row of the flow table by a vertex.

- Join two vertices,  $V_i$  and  $V_j$ , by an edge if they have the same number in any column of the relabeled flow table.
- For each column in which  $V_i$  and  $V_j$  have the same number, label the edge between  $V_i$  and  $V_j$  with that number. We will use black labels for direct transitions to circled (stable) states and blue labels when the next-state entries for both  $V_i$  and  $V_j$  in the flow table are uncircled.

Note that the first point says that in the relabeled flow table the transitions through unstable states are given the label of the stable state to which they lead for a given input valuation. For example, to derive a transition diagram starting from the flow table in Figure 9.23a, the table would be relabeled to give the table in Figure 9.50. The transition from stable  $A$  to stable  $B$ , when  $r_2r_1 = 01$ , has the label 2. The same label is given to the transition from stable  $C$  to unstable  $A$  because this transition ultimately leads to stable  $B$ .

## 9.5.2 EXPLOITING UNSPECIFIED NEXT-STATE ENTRIES

Unspecified entries in a flow table provide some flexibility in finding good state assignments. The following example presents a possible approach. The example also illustrates all steps in the derivation of a transition diagram.

---

**Example 9.13** Consider the flow table in Figure 9.52a. This FSM has seven stable-state entries. Labeling these entries in order, from 1 to 7, results in the table in part (b) of the figure. In this case states 1 and 2 correspond to state  $A$ , 3 and 4 to state  $B$ , 5 and 6 to state  $C$ , and 7 to state  $D$ . In the column  $w_2w_1 = 00$  there is a transition from  $C$  to  $A$ , which is labeled 1, and a transition from  $D$  to  $B$ , which is labeled 3, because 1 and 3 are the successor stable states in these transitions. Similarly, in column 11 there are transitions from  $B$  to  $C$  and from  $D$  to  $A$ , which are labeled 6 and 2, respectively. In column 01 there is a transition from  $A$  to  $B$ , which is labeled 4. State  $C$  is stable for this input valuation; it is labeled 5. There is no transition specified that leads to this stable state. The state can be reached only if  $C$  is stable under  $w_2w_1 = 11$ , which is labeled 6, and then the inputs change to  $w_2w_1 = 01$ . Note that the FSM remains stable in  $C$  if the inputs change from 11 to 01, or vice versa. Column 10 illustrates how unstable states are treated. From the stable state  $A$ , a transition to the unstable state  $C$  is specified. As soon as the FSM reaches state  $C$ , it proceeds to change to the stable state  $D$ , which is labeled 7. Thus 7 is used as the label for the entire transition sequence from  $A$  to  $C$  to  $D$ .

Taking rows  $A$ ,  $B$ ,  $C$ , and  $D$  as the four vertices, a first attempt at drawing the transition diagram is given in Figure 9.53a. The diagram shows transitions between all pairs of states, which seems to suggest that it is impossible to have a state assignment where all transitions are characterized by a Hamming distance of 1. If the state assignment  $A = 00$ ,  $B = 01$ ,  $C = 11$ , and  $D = 10$  is used, then the diagonal transition between  $A$  and  $C$ , or  $B$  and  $D$ , requires both state variables to change their values. The diagonal path from  $B$  to  $D$  with the label 7 is not needed, because an alternative path from  $B$  to  $D$  exists under label 7 that

Present state	Next state				Output $z_2z_1$
	$w_2w_1 = 00$	01	10	11	
A	(A)	B	C	(A)	00
B	(B)	(B)	D	C	01
C	A	(C)	D	(C)	10
D	B	-	(D)	A	11

(a) Flow table

Present state	Next state				Output $z_2z_1$
	$w_2w_1 = 00$	01	10	11	
A	(1)	4	7	(2)	00
B	(3)	(4)	7	6	01
C	1	(5)	7	(6)	10
D	3	-	(7)	2	11

(b) Relabeled flow table

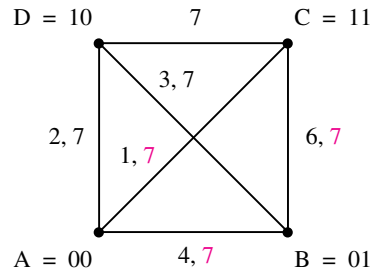
**Figure 9.52** Flow tables for Example 9.13.

passes either through state *A* or through state *C*. Unfortunately, the diagonal paths labeled 1 and 3 cannot be removed, because there are no alternative paths for these transitions.

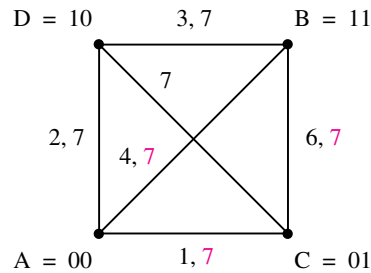
As the next attempt at finding a suitable state assignment, we will reverse the codes given to *B* and *C*, which yields the transition diagram in Figure 9.53*b*. Now the same argument about the alternative paths labeled 7 indicates that the diagonal from *C* to *D* can be omitted. Also, the label 7 on the diagonal between *A* and *B* can be omitted. However, this diagonal must remain because of the label 4 for which there is no alternative path between *A* and *B*. Looking at the flow table in Figure 9.52*b*, we see an unspecified entry in the column  $w_2w_1 = 01$ . This entry can be exploited by replacing it with the label 4, in which case the transition graph would show the label 4 on the edges connecting *A* and *D*, as well as *B* and *D*. Thus the diagonal between *A* and *B* could be removed, producing the transition diagram in Figure 9.53*c*. This diagram can be embedded on a two-dimensional cube, which means that the state assignment  $A = 00$ ,  $B = 11$ ,  $C = 01$ , and  $D = 10$  can be used.

For the transition diagram in Figure 9.53*c* to be applicable, the flow table for the FSM must be modified as shown in Figure 9.54*a*. The unspecified entry in Figure 9.52*a* now specifies a transition to state *B*. According to Figure 9.53*c*, the change from state *A* to *B* under input valuation  $w_2w_1 = 01$  must pass through state *D*; hence the corresponding entry

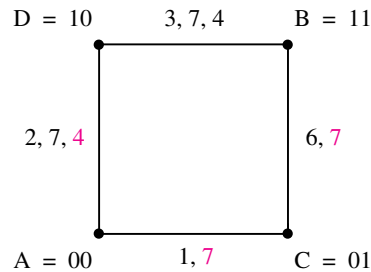




(a) First transition diagram



(b) Second transition diagram



(c) Augmented transition diagram

**Figure 9.53** Transition diagrams for Figure 9.52.

in the first row is modified to ensure that this will take place. Also, when  $w_2w_1 = 10$ , the FSM must go to state  $D$ . If it happens to be in state  $C$ , then this change has to occur either via state  $A$  or state  $B$ . We have chosen the path via state  $B$  in Figure 9.54a.

The original flow table in Figure 9.52a is defined in the form of the Moore model. The modified flow table in Figure 9.54a requires the use of the Mealy model because the previously described transitions through unstable states must produce correct outputs. Consider first the change from  $A$  if  $w_2w_1 = 01$ . While stable in state  $A$ , the circuit must

Present state	Next state				Output $z_2z_1$			
	$w_2w_1 = 00$	01	10	11	00	01	10	11
A	(A)	D	D	(A)	00	00	11	00
B	(B)	(B)	D	C	01	01	11	01
C	A	(C)	B	(C)	- 0	10	1-	10
D	B	B	(D)	A	- 1	0-	11	00

(a) Modified flow table

	Present state	Next state				Output			
		$w_2w_1 = 00$	01	10	11	00	01	10	11
	$y_2y_1$	$Y_2Y_1$				$z_2z_1$			
A	00	(00)	10	10	(00)	00	00	11	00
B	11	(11)	(11)	10	01	01	01	11	01
C	01	00	(01)	11	(01)	- 0	10	1-	10
D	10	11	11	(10)	00	- 1	0-	11	00

(b) Excitation table

**Figure 9.54** Realization of the FSM in Figure 9.52a.

produce the output  $z_2z_1 = 00$ . Upon reaching the stable state  $B$ , the output must become 01. The problem is that this transition requires a short visit to state  $D$ , which in the Moore model would produce  $z_2z_1 = 11$ . Thus a glitch would be generated on the output signal  $z_2$ , which would undergo the change  $0 \rightarrow 1 \rightarrow 0$ . To avoid this undesirable glitch, the output in state  $D$  must be  $z_2 = 0$  for this input valuation, which requires the use of the Mealy model as shown in the Figure 9.54a. Observe that while  $z_2$  must be 0 in  $D$  for  $w_2w_1 = 01$ ,  $z_1$  can be either 0 or 1 because it is changing from 0 in state  $A$  to 1 in state  $B$ . Therefore,  $z_1$  can be left unspecified so that this case can be treated as a don't-care condition. A similar situation arises when the circuit changes from  $C$  to  $D$  via  $B$  if  $w_2w_1 = 10$ . The output must change from 10 to 11, which means that  $z_2$  must remain at 1 throughout this change, including the short time in state  $B$  where the Moore model output would be 01.

The modified flow table and the chosen state assignment lead to the excitation table in Figure 9.54b. From this table the next-state and output expressions are derived, as in the examples in Section 9.3.

### 9.5.3 STATE ASSIGNMENT USING ADDITIONAL STATE VARIABLES

In Figure 9.52a there is an unspecified transition that can be exploited to find a suitable state assignment, as shown in Section 9.5.2. In general, such flexibility may not exist. It may be impossible to find a race-free state assignment using  $\log_2 n$  state variables for a flow table that has  $n$  rows. The problem can be solved by adding extra state variables. This can be done in three ways, as illustrated in the examples that follow.

**Example 9.14 USING EXTRA UNSTABLE STATES** Consider the FSM specified by the flow table in Figure 9.55a. The flow table is relabeled in part (b) of the figure. A corresponding transition diagram is depicted in Figure 9.56a. It indicates that there are transitions between all pairs of vertices (rows). No rearrangement of the existing vertices would allow mapping of the transition diagram onto a two-dimensional cube.

Let us now introduce one more state variable so that we can look for a way to map the transition diagram onto a three-dimensional cube. With three state variables the assignment for state  $A$  can be a Hamming distance of 1 different from the assignments for  $B$ ,  $C$ ,

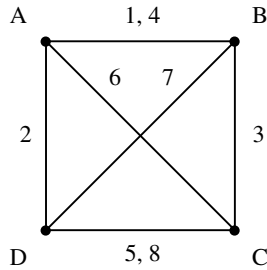
Present state	Next state				Output $z_2z_1$
	$w_2w_1 = 00$	01	10	11	
A	(A)	(A)	C	B	00
B	A	(B)	D	(B)	01
C	(C)	B	(C)	D	10
D	C	A	(D)	(D)	11

(a) Flow table

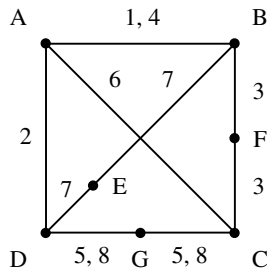
Present state	Next state				Output $z_2z_1$
	$w_2w_1 = 00$	01	10	11	
A	(1)	(2)	6	4	00
B	1	(3)	7	(4)	01
C	(5)	3	(6)	8	10
D	5	2	(7)	(8)	11

(b) Relabeled flow table

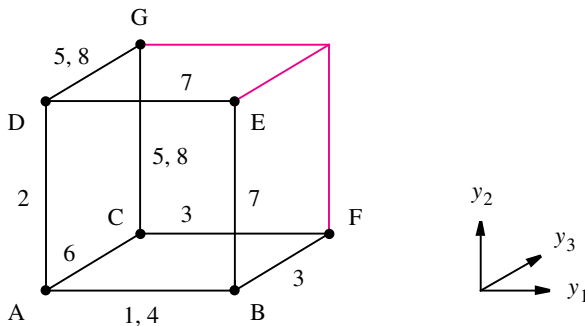
**Figure 9.55** FSM for Example 9.14.



(a) Transition diagram



(b) Augmented transition diagram



(c) Embedded transition diagram

**Figure 9.56** Transition diagrams for Figure 9.55.

and  $D$ . For example, we could have  $A = 000$ ,  $B = 001$ ,  $C = 100$ , and  $D = 010$ . But it would then be impossible to have the pairs  $(B, C)$ ,  $(B, D)$ , and  $(C, D)$  within the Hamming distance of 1. The solution here is to insert extra vertices in the transition paths, as shown in Figure 9.56b. Vertex  $E$  separates  $B$  from  $D$ , while vertices  $F$  and  $G$  break the paths  $(B, C)$  and  $(C, D)$ . The labels associated with the transitions are attached to both segments of a broken path. The resulting transition diagram can be embedded onto a three-dimensional

cube as indicated in Figure 9.56c, where the black portion of the cube comprises the desired paths. Now the transition from  $B$  to  $D$  takes place via vertex  $E$  if  $w_2w_1 = 10$  (label 7). The transition from  $C$  to  $B$  occurs via  $F$  if  $w_2w_1 = 01$  (label 3). The transition from  $C$  to  $D$  goes through  $G$  if  $w_2w_1 = 11$  (label 8), and the transition from  $D$  to  $C$  goes via  $G$  if  $w_2w_1 = 00$  (label 5). Therefore, the flow table has to be modified as shown in Figure 9.57a. The three extra states are unstable because the circuit will not remain in these states for any valuation

Present state	Next state				Output $z_2z_1$
	$w_2w_1 = 00$	01	10	11	
A	(A)	(A)	C	B	00
B	A	(B)	E	(B)	01
C	(C)	F	(C)	G	10
D	G	A	(D)	(D)	11
E	-	-	D	-	-1
F	-	B	-	-	01
G	C	-	-	D	1-

(a) Modified flow table

	Present state	Next state				Output $z_2z_1$
		$w_2w_1 = 00$	01	10	11	
	$y_3y_2y_1$	$Y_3Y_2Y_1$				
A	000	(000)	(000)	100	001	00
B	001	000	(001)	011	(001)	01
C	100	(100)	101	(100)	110	10
D	010	110	000	(010)	(010)	11
E	011	-	-	010	-	-1
F	101	-	001	-	-	01
G	110	100	-	-	010	1-

(b) Excitation table

**Figure 9.57** Modified tables for Example 9.14.

of the inputs. The circuit will merely pass through these states in the process of changing from one stable state to another. Observe that each of the states  $E$ ,  $F$ , and  $G$  is needed to facilitate the transitions caused by only one or two valuations of inputs. Thus it is not necessary to specify the actions that might be caused by other input valuations, because such situations will never occur in a properly functioning circuit.

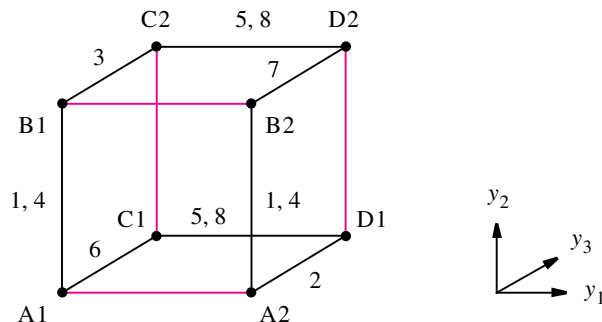
The outputs in Figure 9.57a can be specified using the Mealy model. It is essential that a proper output is generated when passing through unstable states, to avoid undesirable glitches in the output signals.

If we assign the state variables as shown on the right of Figure 9.56c, the modified flow table leads to the excitation table in Figure 9.57b. From this table, deriving the next-state and output expressions is a straightforward task.

**USING PAIRS OF EQUIVALENT STATES** Another approach is to increase the flexibility in state assignment by introducing an equivalent new state for each existing state. Thus state  $A$  can be replaced with two states  $A1$  and  $A2$  such that the final circuit produces the same outputs for  $A1$  and  $A2$  as it would for  $A$ . Similarly, other states can be replaced by equivalent pairs of states. Figure 9.58 shows how a three-dimensional cube can be used to find a good state assignment for a four-row flow table. The four equivalent pairs are arranged so that the minimum Hamming distance of 1 exists between all pairs. For example, the pair  $(B1, B2)$  has the Hamming distance of 1 with respect to  $A1$  (or  $A2$ ),  $C2$ , and  $D2$ .

**Example 9.15**

The transition diagram in Figure 9.56a can be embedded onto the three-dimensional cube as shown in Figure 9.58. Since there is a choice of two vertices on the cube for each vertex in the transition diagram in Figure 9.56a, the embedded transition diagram does not involve any diagonal paths. Using this assignment of states, the flow table in Figure 9.55a has to be modified as presented in Figure 9.59a. The entries in the table are made to allow each transition in the original flow table to be realized using a transition between the corresponding pairs of equivalent states. Both states in an equivalent pair are stable for the input valuations for which the original state is stable. Thus  $A1$  and  $A2$  are stable if  $w_2w_1 = 00$  or  $01$ ,  $B1$  and  $B2$  are stable if  $w_2w_1 = 01$  or  $11$ , and so on. At any given time



**Figure 9.58** Embedded transition diagram if two nodes per row are used.

Present state	Next state				Output $z_2z_1$
	$w_2w_1 = 00$	01	10	11	
A1	$\textcircled{A1}$	$\textcircled{A1}$	C1	B1	00
A2	$\textcircled{A2}$	$\textcircled{A2}$	A1	B2	00
B1	A1	$\textcircled{B1}$	B2	$\textcircled{B1}$	01
B2	A2	$\textcircled{B2}$	D2	$\textcircled{B2}$	01
C1	$\textcircled{C1}$	C2	$\textcircled{C1}$	D1	10
C2	$\textcircled{C2}$	B1	$\textcircled{C2}$	D2	11
D1	C1	A2	$\textcircled{D1}$	$\textcircled{D1}$	11
D2	C2	D1	$\textcircled{D2}$	$\textcircled{D2}$	11

(a) Modified flow table

	Present state $y_3y_2y_1$	Next state				Output $z_2z_1$
		$w_2w_1 = 00$	01	10	11	
		$Y_3Y_2Y_1$				
A1	000	$\textcircled{000}$	$\textcircled{000}$	100	010	00
A2	001	$\textcircled{001}$	$\textcircled{001}$	000	011	00
B1	010	000	$\textcircled{010}$	011	$\textcircled{010}$	01
B2	011	001	$\textcircled{011}$	111	$\textcircled{011}$	01
C1	100	$\textcircled{100}$	110	$\textcircled{100}$	101	10
C2	110	$\textcircled{110}$	010	$\textcircled{110}$	111	10
D1	101	100	001	$\textcircled{101}$	$\textcircled{101}$	11
D2	111	110	101	$\textcircled{111}$	$\textcircled{111}$	11

(b) Excitation table

**Figure 9.59** Modified flow and excitation tables for Example 9.15.

the FSM may be in either of the two equivalent states that represent an original state. Then a change to another state must be possible from either of these states. For example, Figure 9.55a specifies that the FSM must change from the stable state  $A$  to state  $B$  if the input is  $w_2w_1 = 11$ . The equivalent transition in the modified flow table is the change from state  $A1$  to  $B1$  or from state  $A2$  to  $B2$ . If the FSM is stable in  $A$  and the input changes from 00 to 10, then a change to  $C$  is required. The equivalent transition in the modified flow table is from state  $A1$  to  $C1$ ; if the FSM happens to be in state  $A2$ , it will first have to change to  $A1$ . The remaining entries in Figure 9.59a are derived using the same reasoning.

The outputs are specified using the Moore model, because the only unstable states are those involved in changing from one member of the equivalent pair to another, and both members generate the same outputs. For instance, in the previously described transition from  $A$  to  $C$ , if the starting point is  $A2$ , it is necessary to go first to  $A1$  and then to  $C1$ . Even though  $A1$  is unstable for  $w_2w_1 = 10$ , there is no problem because its output is the same as that of  $A2$ . Therefore, if the original flow table is defined using the Moore model, then the modified flow table can also be done using the Moore model.

Using the assignment of the state variables in Figure 9.58 gives the excitation table in Figure 9.59b.

### 9.5.4 ONE-HOT STATE ASSIGNMENT

The previously described schemes based on embedding the flow table in a cube may lead to an optimal state assignment, but they require a trial-and-error approach that becomes awkward for large machines. A straightforward, but more expensive, alternative is to use one-hot codes. If each row in the flow table of an FSM is assigned a one-hot code, then race-free state transitions can be achieved by passing through unstable states that are at a Hamming distance of 1 from the two stable states involved in the transition. For example, suppose that state  $A$  is assigned the code 0001 and state  $B$  the code 0010. Then a race-free transition from  $A$  to  $B$  can pass through an unstable state 0011. Similarly, if  $C$  is assigned the code 0100, then a transition from  $A$  to  $C$  can be done via the unstable state 0101.

Using this approach, the flow table in Figure 9.55a can be modified as illustrated in Figure 9.60. The four states,  $A$ ,  $B$ ,  $C$ , and  $D$ , are assigned one-hot codes. As seen in the figure, it is necessary to introduce six unstable states,  $E$  through  $J$ , to handle the necessary transitions. These unstable states have to be specified only for the specific transitions, whereas for other input valuations they may be treated as don't cares.

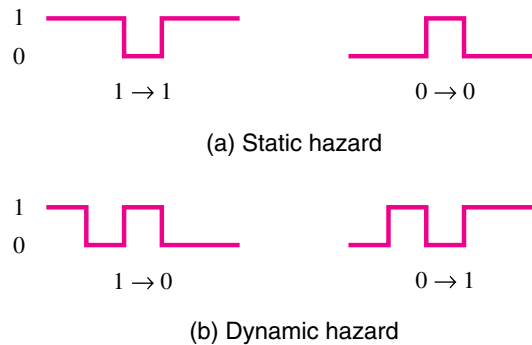
The outputs can be specified using the Moore model. In some cases it does not matter when a particular output signal changes its value. For instance, state  $E$  is used to facilitate the transition from state  $A$  to  $C$ . Since  $z_2z_1 = 00$  in  $A$  and 10 in  $C$ , it is not important if  $z_2$  changes when passing through state  $E$ .

While straightforward to implement, the one-hot encoding is expensive because it requires  $n$  state variables to implement an  $n$ -row flow table. Simplicity of design and the cost of implementation often provide a challenging trade-off in designing logic circuits!



State assignment	Present state	Next state				Output $z_2z_1$
		$w_2w_1 = 00$	01	10	11	
0001	A	Ⓐ	Ⓐ	E	F	00
0010	B	F	Ⓑ	G	Ⓑ	01
0100	C	Ⓒ	H	Ⓒ	I	10
1000	D	I	J	Ⓓ	Ⓓ	11
0101	E	-	-	C	-	-0
0011	F	A	-	-	B	0-
1010	G	-	-	D	-	-1
0110	H	-	B	-	-	01
1100	I	C	-	-	D	1-
1001	J	-	A	-	-	00

**Figure 9.60** State assignment with one-hot encoding.



**Figure 9.61** Definition of hazards.

## 9.6 HAZARDS

In asynchronous sequential circuits it is important that undesirable glitches on signals should not occur. The designer must be aware of the possible sources of glitches and ensure that the transitions in a circuit will be glitch free. The glitches caused by the structure of a given circuit and propagation delays in the circuit are referred to as *hazards*. Two types of hazards are illustrated in Figure 9.61.

A *static hazard* exists if a signal is supposed to remain at a particular logic value when an input variable changes its value, but instead the signal undergoes a momentary change

in its required value. As shown in Figure 9.61a, one type of static hazard is when the signal at level 1 is supposed to remain at 1 but dips to 0 for a short time. Another type is when the signal is supposed to remain at level 0 but rises momentarily to 1, thus producing a glitch.

A different type of hazard may occur when a signal is supposed to change from 1 to 0 or from 0 to 1. If such a change involves a short oscillation before the signal settles into its new level, as illustrated in Figure 9.61b, then a *dynamic hazard* is said to exist.

### 9.6.1 STATIC HAZARDS

Figure 9.62a shows a circuit with a static hazard. Suppose that the circuit is in the state where  $x_1 = x_2 = x_3 = 1$ , in which case  $f = 1$ . Now let  $x_1$  change from 1 to 0. Then the circuit is supposed to maintain  $f = 1$ . But consider what happens when the propagation delays through the gates are taken into account. The change in  $x_1$  will probably be observed at point  $p$  before it will be seen at point  $q$  because the path from  $x_1$  to  $q$  has an extra gate (NOT) in it. Thus the signal at  $p$  will become 0 before the signal at  $q$  becomes equal to 1. For a short time both  $p$  and  $q$  will be 0, causing  $f$  to drop to 0 before it recovers back to 1. This gives rise to the signal depicted on the left side of Figure 9.61a.

The glitch on  $f$  can be prevented as follows. The circuit implements the function

$$f = x_1x_2 + \bar{x}_1x_3$$

The corresponding Karnaugh map is given in Figure 9.62b. The two product terms realize the prime implicants encircled in black. The hazard explained above occurs when there is a transition from the prime implicant  $x_1x_2$  to the prime implicant  $\bar{x}_1x_3$ . The hazard can be eliminated by including the third prime implicant, encircled in blue. (This is the consensus term, defined in Property 17a in Section 2.5.) Then the function would be implemented as

$$f = x_1x_2 + \bar{x}_1x_3 + x_2x_3$$

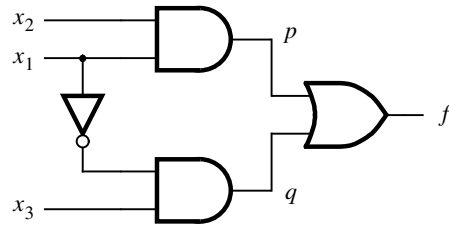
Now the change in  $x_1$  from 1 to 0 would have no effect on the output  $f$  because the product term  $x_2x_3$  would be equal to 1 if  $x_2 = x_3 = 1$ , regardless of the value of  $x_1$ . The resulting hazard-free circuit is depicted in Figure 9.62c.

A potential hazard exists wherever two adjacent 1s in a Karnaugh map are not covered by a single product term. Therefore, a technique for removing hazards is to find a cover in which some product term includes each pair of adjacent 1s. Then, since a change in an input variable causes a transition between two adjacent 1s, no glitch can occur because both 1s are included in a product term.

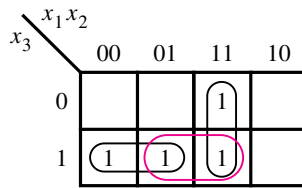
In asynchronous sequential circuits a hazard can cause the circuit to change to an incorrect stable state. Example 9.16 illustrates this situation.

---

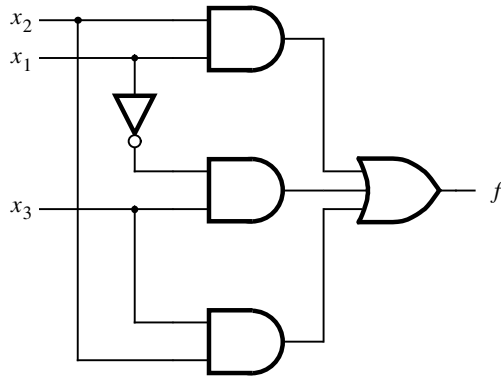
**In Example 9.2** we analyzed the circuit that realizes a master-slave D flip-flop. From the excitation table in Figure 9.6a, one could attempt to synthesize a minimum-cost circuit that realizes the required functions,  $Y_m$  and  $Y_s$ . This would give **Example 9.16**



(a) Circuit with a hazard



(b) Karnaugh map

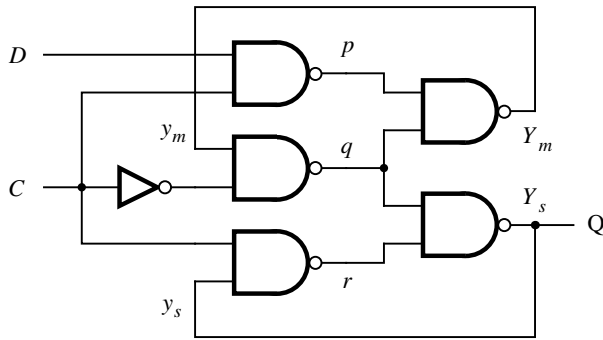


(c) Hazard-free circuit

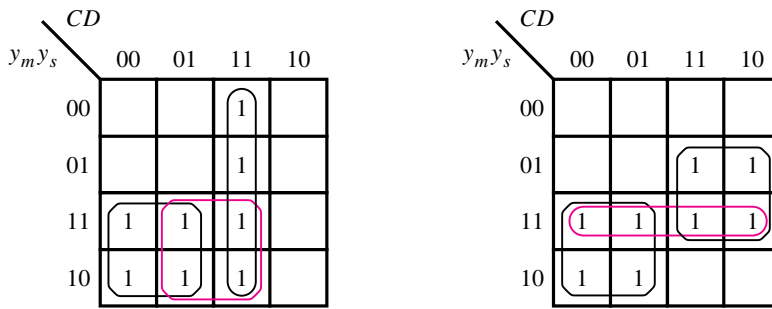
**Figure 9.62** An example of a static-hazard.

$$\begin{aligned}
 Y_m &= CD + \bar{C}y_m \\
 &= (C \uparrow D) \uparrow (\bar{C} \uparrow y_m) \\
 Y_s &= \bar{C}y_m + Cy_s \\
 &= (\bar{C} \uparrow y_m) \uparrow (C \uparrow y_s)
 \end{aligned}$$

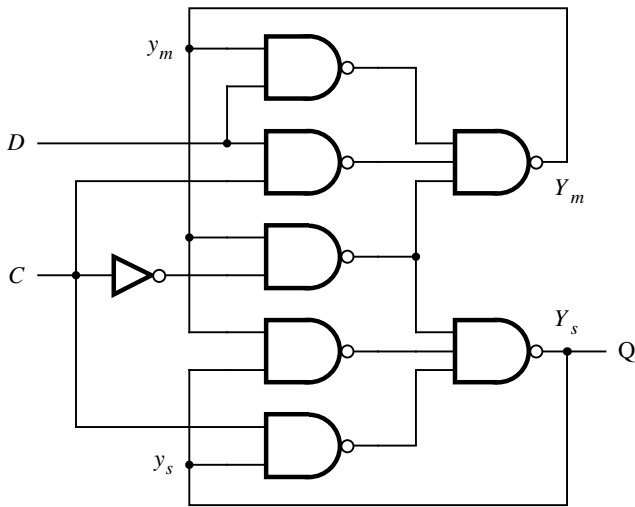
The corresponding circuit is presented in Figure 9.63a. At first glance this circuit may seem more attractive than the flip-flops discussed in Chapter 5 because it is less expensive. The problem is that the circuit contains a static hazard.



(a) Minimum-cost circuit



(b) Karnaugh maps for  $Y_m$  and  $Y_s$  in Figure 9.6a



(c) Hazard-free circuit

**Figure 9.63** Two-level implementation of master-slave D flip-flop.

Figure 9.63*b* shows the Karnaugh maps for the functions  $Y_m$  and  $Y_s$ . The minimum-cost implementation is based on the prime implicants encircled in black. To see how this circuit is affected by static hazards, assume that presently  $Y_s = 1$  and  $C = D = 1$ . The circuit generates  $Y_m = 1$ . Now let  $C$  change from 1 to 0. For the flip-flop to behave properly,  $Y_s$  must remain equal to 1. In Figure 9.63*a*, when  $C$  changes to 0, both  $p$  and  $r$  become 1. Due to the delay through the NOT gate,  $q$  may still be 1, causing the circuit to generate  $Y_m = Y_s = 0$ . The feedback from  $Y_m$  will maintain  $q = 1$ . Hence the circuit remains in an incorrect stable state with  $Y_s = 0$ .

To avoid the hazards, it is necessary to also include the terms encircled in blue, which gives rise to the expressions

$$\begin{aligned} Y_m &= CD + \overline{C}y_m + Dy_m \\ Y_s &= \overline{C}y_m + Cy_s + y_my_s \end{aligned}$$

The resulting circuit, implemented with NAND gates, is shown in Figure 9.63*c*.

Note that we can obtain another NAND-gate implementation by rewriting the expressions for  $Y_m$  and  $Y_s$  as

$$\begin{aligned} Y_m &= CD + (\overline{C} + D)y_m \\ &= (C \uparrow D) \uparrow ((\overline{C} + D) \uparrow y_m) \\ &= (C \uparrow D) \uparrow ((C \uparrow \overline{D}) \uparrow y_m) \\ Y_s &= \overline{C}y_m + (C + y_m)y_s \\ &= (\overline{C} \uparrow y_m) \uparrow ((\overline{C} \uparrow \overline{y}_m) \uparrow y_s) \end{aligned}$$

These expressions correspond exactly to the circuit in Figure 5.12.

**Example 9.17** From the previous examples, it seems that static hazards can be avoided by including all prime implicants in a sum-of-products circuit that realizes a given function. This is indeed true. But it is not always necessary to include all prime implicants. It is only necessary to include product terms that cover the adjacent pairs of 1s. There is no need to cover the don't-care vertices.

Consider the function in Figure 9.64. A hazard-free circuit that implements this function should include the encircled terms, which gives

$$f = \overline{x}_1x_3 + x_2x_3 + x_3\overline{x}_4$$

The prime implicant  $\overline{x}_1\overline{x}_2$  is not needed to prevent hazards, because it would account only for the two 1s in the left-most column. These 1s are already covered by  $\overline{x}_1x_3$ .

**Example 9.18** Static hazards can also occur in other types of circuits. Figure 9.65*a* depicts a product-of-sums circuit that contains a hazard. If  $x_1 = x_3 = 0$  and  $x_2$  changes from 0 to 1, then  $f$  should remain at 0. However, if the signal at  $p$  changes earlier than the signal at  $q$ , then  $p$  and  $q$  will both be equal to 1 for a short time, causing a glitch  $0 \rightarrow 1 \rightarrow 0$  on  $f$ .

In a POS circuit, it is the transitions between adjacent 0s that may lead to hazards. Thus to design a hazard-free circuit, it is necessary to include sum terms that cover all pairs of

	$x_1x_2$				
$x_3x_4$		00	01	11	10
00		d			d
01		d			
11		1	1	1	
10		1	1	1	1

**Figure 9.64** Function for Example 9.17.

adjacent 0s. In this example the term in blue in the Karnaugh map must be included, giving

$$f = (x_1 + x_2)(\bar{x}_2 + x_3)(x_1 + x_3)$$

The circuit is shown in Figure 9.65c.

## 9.6.2 DYNAMIC HAZARDS

A dynamic hazard causes glitches on  $0 \rightarrow 1$  or  $1 \rightarrow 0$  transitions of an output signal. An example is given in Figure 9.66. Assuming that all NAND gates have equal delays, a timing diagram can be constructed as shown. The time elapsed between two vertical lines corresponds to a gate delay. The output  $f$  exhibits a glitch that should be avoided.

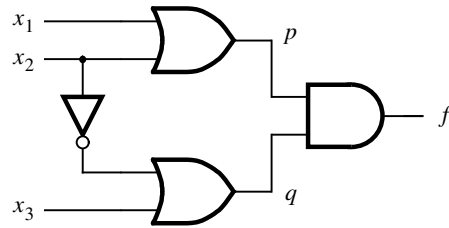
It is interesting to consider the function implemented by this circuit, which is

$$f = x_1\bar{x}_2 + \bar{x}_3x_4 + x_1x_4$$

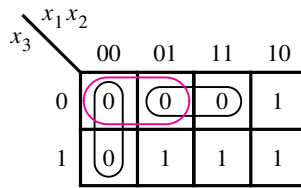
This is the minimum-cost sum-of-products expression for the function. If implemented in this form, the circuit would not have either a static or a dynamic hazard.

A dynamic hazard is caused by the structure of the circuit, where there exist multiple paths for a given signal change to propagate along. If the output signal changes its value three times,  $0 \rightarrow 1 \rightarrow 0 \rightarrow 1$  in the example, then there must be at least three paths along which a change from a primary input can propagate. A circuit that has a dynamic hazard must also have a static hazard in some part of it. As seen in Figure 9.66b, there is a static hazard involving the signal on wire  $b$ .

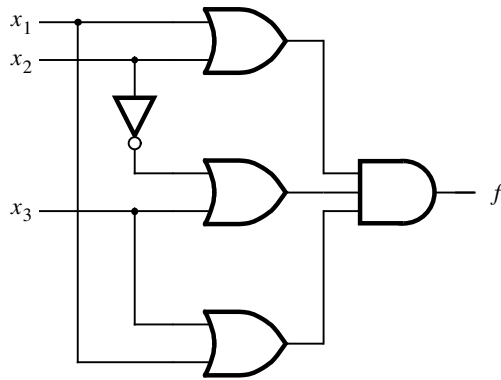
Dynamic hazards are encountered in multilevel circuits obtained using factoring or decomposition techniques, which were discussed in Chapter 8. Such hazards are neither easy to detect nor easy to deal with. The designer can avoid dynamic hazards simply by using two-level circuits and ensuring that there are no static hazards.



(a) Circuit with a hazard



(b) Karnaugh map

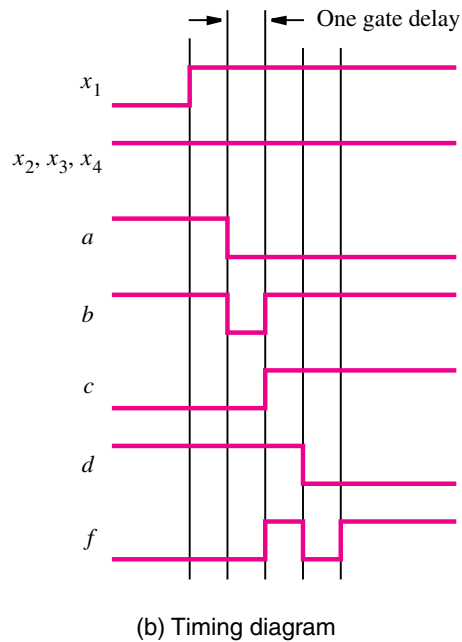
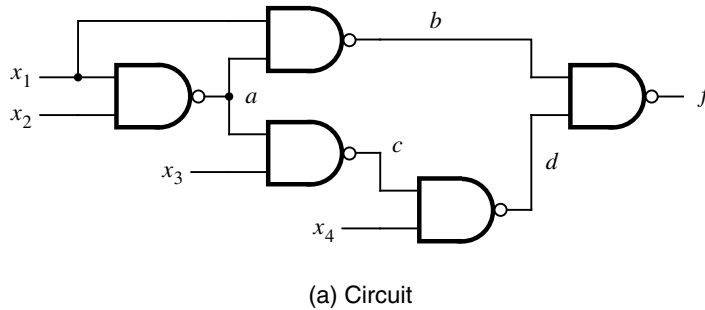


(c) Hazard-free circuit

**Figure 9.65** Static hazard in a POS circuit.

### 9.6.3 SIGNIFICANCE OF HAZARDS

A glitch in an asynchronous sequential circuit can cause the circuit to enter an incorrect state and possibly become stable in that state. Therefore, the circuitry that generates the next-state variables must be hazard free. It is sufficient to eliminate hazards due to changes in the value of a single variable because the basic premise in an asynchronous sequential



**Figure 9.66** Circuit with a dynamic hazard.

circuit is that the values of both the primary inputs and the state variables must change one at a time.

In combinational circuits, discussed in Chapters 3 and 4, we did not worry about hazards, because the output of a circuit depends solely on the values of the inputs. In synchronous sequential circuits the input signals must be stable within the setup and hold times of flip-flops. It does not matter whether glitches occur outside the setup and hold times with respect to the clock signal.



## 9.7 A COMPLETE DESIGN EXAMPLE

In the previous sections we examined the various design aspects of asynchronous sequential circuits. In this section we give a complete design example, which covers all necessary steps.

### 9.7.1 THE VENDING-MACHINE CONTROLLER

The control mechanism of a vending machine is a good vehicle for illustrating a possible application of a digital circuit. We used it in the synchronous environment in Chapter 6. A small example of a vending machine served as an object of analysis in Section 9.2. Now we will consider a vending-machine controller similar to the one in Example 6.7 to see how it can be implemented using an asynchronous sequential circuit. The specification for the controller is:

- It accepts nickels and dimes.
- A total of 15 cents is needed to release the candy from the machine.
- No change is given if 20 cents is deposited.

Coins are deposited one at a time. The coin-sensing mechanism generates signals  $N = 1$  and  $D = 1$  when it sees a nickel or a dime, respectively. It is impossible to have  $N = D = 1$  at the same time. Following the insertion of a coin for which the sum equals or exceeds 15 cents, the machine releases the candy and resets to the initial state.

Figure 9.67 shows a state diagram for the required FSM. It is derived using a straightforward approach in which all possible sequences of depositing nickels and dimes are enumerated in a treelike structure. To keep the diagram uncluttered, the labels  $D$  and  $N$  denote the input conditions  $DN = 10$  and  $DN = 01$ , respectively. The condition  $DN = 00$  is labeled simply as 0. The candy is released in states  $F$ ,  $H$ , and  $K$ , which are reached after 15 cents has been deposited, and in states  $I$  and  $L$ , upon a deposit of 20 cents.

The corresponding flow table is given in Figure 9.68. It can be reduced using the partitioning procedure as follows

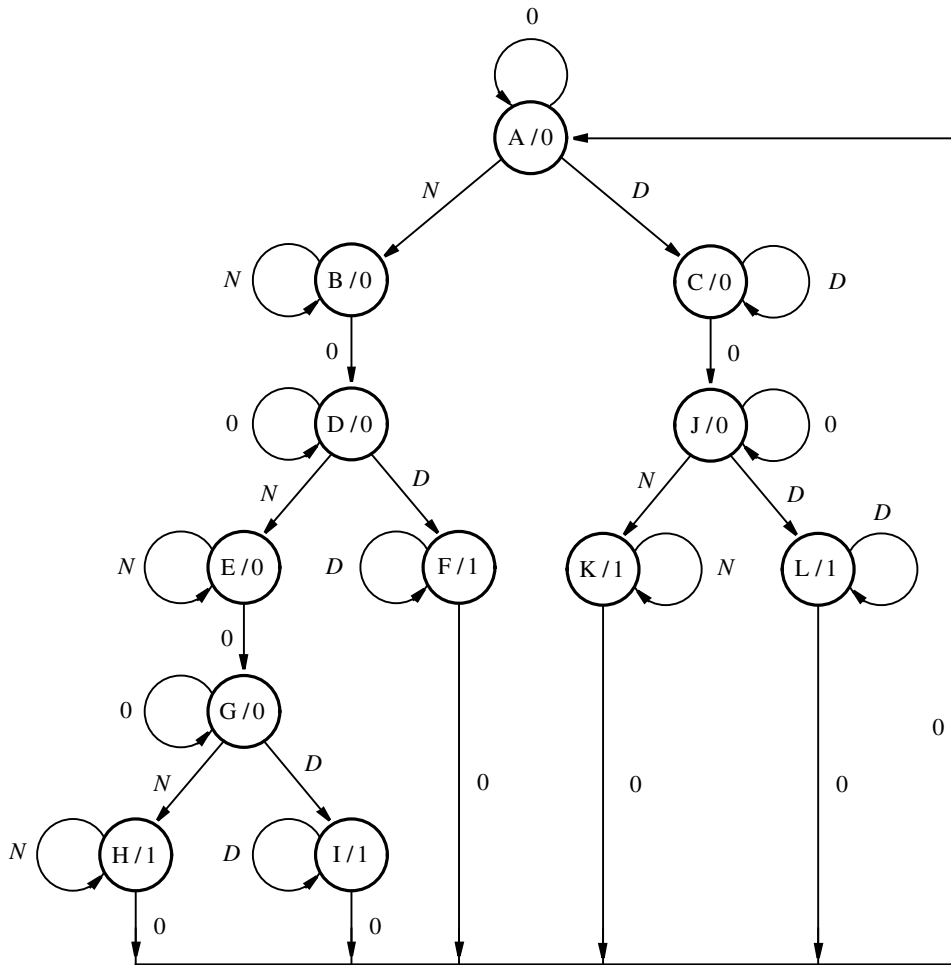
$$P_1 = (ADGJ)(BE)(C)(FIL)(HK)$$

$$P_2 = (A)(D)(GJ)(B)(E)(C)(FIL)(HK)$$

$$P_3 = P_2$$

Using  $G$  to represent the equivalent states  $G$  and  $J$ ,  $F$  to represent  $F$ ,  $I$ , and  $L$ , and  $H$  to represent  $H$  and  $K$  yields a partially reduced flow table in Figure 9.69. The merger diagram for this table is presented in Figure 9.70. It indicates that states  $C$  and  $E$  can be merged, as well as  $F$  and  $H$ . Thus the reduced flow table is obtained as shown in Figure 9.71a. The same information is depicted in the form of a state diagram in Figure 9.72.

Next a suitable state assignment must be found. The flow table is relabeled in Figure 9.71b to associate a unique number with each stable state. Then the transition diagram in Figure 9.73a is obtained. Since we wish to try to embed the diagram onto a three-dimensional cube, eight vertices are shown in the figure. The diagram shows two diagonal transitions. The transition between  $D$  and  $G$  (label 7) does not matter, because it is only an alternative path. The transition from  $A$  to  $C$  (label 4) is required, and it can be realized via unused states as indicated in blue in Figure 9.73b. Therefore, the transition diagram can be



**Figure 9.67** Initial state diagram for the vending-machine controller.

embedded onto a three-dimensional cube as shown. Using the state assignment from this figure, the excitation table in Figure 9.74 is derived.

The Karnaugh maps for the next-state functions are given in Figure 9.75. From these maps the following hazard-free expressions are obtained

$$\begin{aligned}
 Y_1 &= \bar{N}y_2 + Ny_1 + Dy_1 + y_1y_3 + y_1y_2 \\
 Y_2 &= N\bar{y}_1 + Ny_2 + \bar{y}_1y_3 + \bar{D}y_2\bar{y}_3 + Dy_2y_3 \\
 Y_3 &= D\bar{y}_1 + y_2y_3 + Ny_1y_2 + \bar{D}y_3\bar{N}
 \end{aligned}$$

All product terms in these expressions are needed for a minimum-cost POS implementation except for  $y_1y_2$ , which is included to prevent hazards in the expression for  $Y_1$ . The output expression is

$$z = y_1\bar{y}_2\bar{y}_3$$

Present state	Next state				Output $z$
	$DN = 00$	01	10	11	
A	(A)	B	C	-	0
B	D	(B)	-	-	0
C	J	-	(C)	-	0
D	(D)	E	F	-	0
E	G	(E)	-	-	0
F	A	-	(F)	-	1
G	(G)	H	I	-	0
H	A	(H)	-	-	1
I	A	-	(I)	-	1
J	(J)	K	L	-	0
K	A	(K)	-	-	1
L	A	-	(L)	-	1

**Figure 9.68** Initial flow table for the vending-machine controller.

Present state	Next state				Output $z$
	$DN = 00$	01	10	11	
A	(A)	B	C	-	0
B	D	(B)	-	-	0
C	G	-	(C)	-	0
D	(D)	E	F	-	0
E	G	(E)	-	-	0
F	A	-	(F)	-	1
G	(G)	H	F	-	0
H	A	(H)	-	-	1

**Figure 9.69** First step in state minimization.

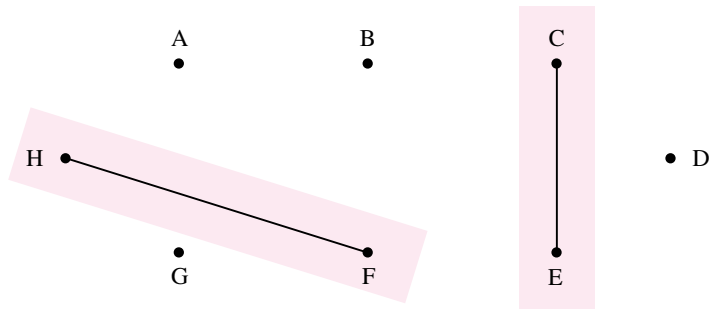


Figure 9.70 Merger diagram for Figure 9.69.

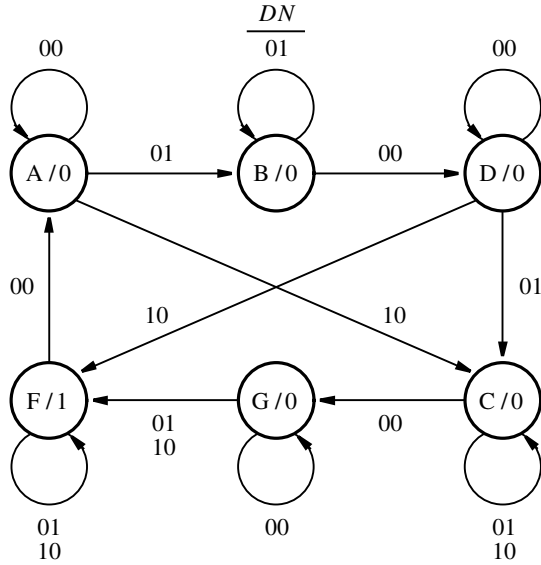
Present state	Next state				Output $z$
	$DN = 00$	01	10	11	
A	(A)	B	C	-	0
B	D	(B)	-	-	0
C	G	(C)	(C)	-	0
D	(D)	C	F	-	0
F	A	(F)	(F)	-	1
G	(G)	F	F	-	0

(a) Minimized flow table

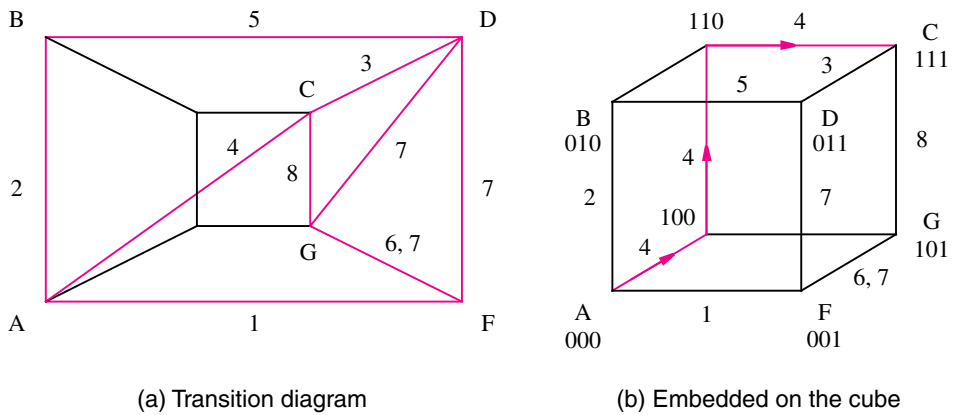
Present state	Next state				Output $z$
	$DN = 00$	01	10	11	
A	(1)	2	4	-	0
B	5	(2)	-	-	0
C	8	(3)	(4)	-	0
D	(5)	3	7	-	0
F	1	(6)	(7)	-	1
G	(8)	6	7	-	0

(b) Relabeled flow table

Figure 9.71 Reduced flow tables.



**Figure 9.72** State diagram for the vending-machine controller.



**Figure 9.73** Determination of the state assignment.

	Present state $y_3 y_2 y_1$	Next state				Output $z$
		$DN = 00$	01	10	11	
		$Y_3 Y_2 Y_1$				
A	000	⊙000	010	100	-	0
B	010	011	⊙010	-	-	0
C	111	101	⊙111	⊙111	-	0
D	011	⊙011	111	001	-	0
F	001	000	⊙001	⊙001	-	1
G	101	⊙101	001	001	-	0
	100	-	-	110	-	0
	110	-	-	111	-	0

**Figure 9.74** Excitation table based on the state assignment in Figure 9.73b.

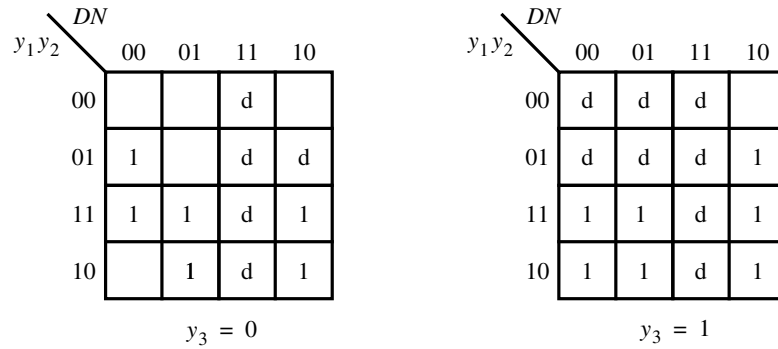
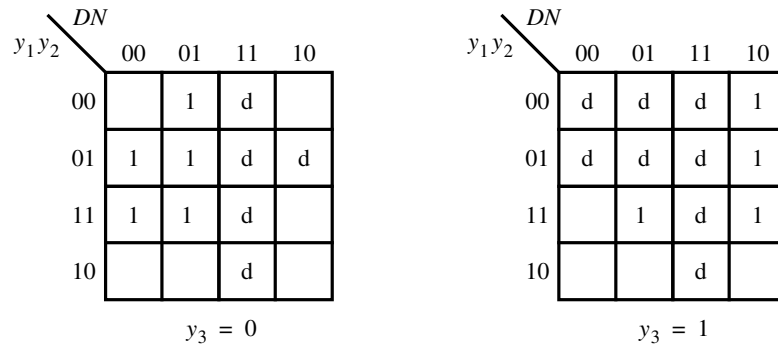
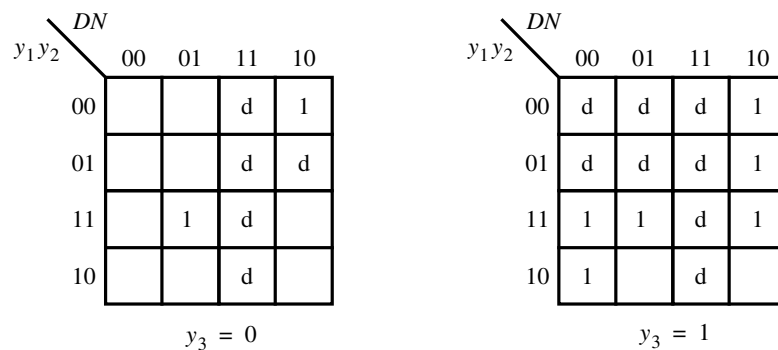
## 9.8 CONCLUDING REMARKS

Asynchronous sequential circuits are more difficult to design than the synchronous sequential circuits. The difficulties with race conditions present a problem that must be handled carefully. At the present time there is little CAD support for designing asynchronous circuits. For these reasons, most designers resort to synchronous sequential circuits in practical applications.

An important advantage of asynchronous circuits is their speed of operation. Since there is no clock involved, the speed of operation depends only on the propagation delays in the circuit. In an asynchronous system that comprises several circuits, some circuits may operate faster than others, thus potentially improving the overall performance of the system. In contrast, in synchronous systems the clock period has to be long enough to accommodate the slowest circuit, and it has a large effect on the performance.

Asynchronous circuit techniques are also useful in designing systems that consist of two or more synchronous circuits that operate under the control of different clocks. The signals exchanged between such circuits often appear to be asynchronous in nature.

From the reader's point of view, it is useful to view asynchronous circuits as an excellent vehicle for gaining a deeper understanding of the operation of digital circuits in general. These circuits illustrate the consequences of propagation delays and race conditions that may be inherent in the structure of a circuit. They also illustrate the concept of stability, demonstrated through the existence of stable and unstable states. For further discussion of asynchronous sequential circuits, the reader may consult references [1–6].

(a) Map for  $Y_1$ (b) Map for  $Y_2$ (c) Map for  $Y_3$ **Figure 9.75** Karnaugh maps for the functions in Figure 9.74.

## 9.9 EXAMPLES OF SOLVED PROBLEMS

This section presents some typical problems that the reader may encounter, and shows how such problems can be solved.

**Problem:** Derive a flow table that describes the behavior of the circuit in Figure 9.76.

**Example 9.19**

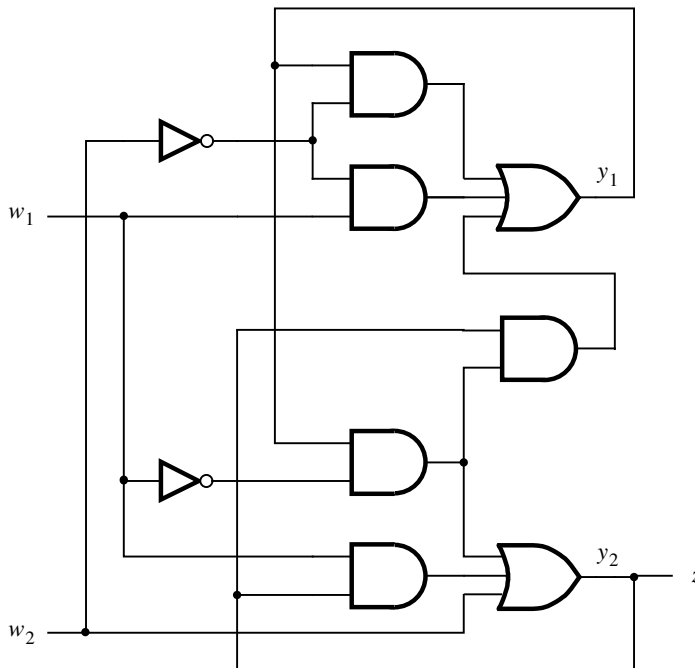
**Solution:** Modelling the propagation delay in the gates of the circuit as shown in Figure 9.8, the circuit in Figure 9.76 can be described by the following next-state and output expressions

$$Y_1 = w_1\bar{w}_2 + \bar{w}_2y_1 + \bar{w}_1y_1y_2$$

$$Y_2 = w_2 + \bar{w}_1y_1 + w_1y_2$$

$$z = y_2$$

These expressions lead to the excitation table in Figure 9.77a. Assuming the state assignment  $A = 00$ ,  $B = 01$ ,  $C = 10$ , and  $D = 11$ , yields the flow table in Figure 9.77b.



**Figure 9.76** Circuit for Example 9.19.



Present state $y_2 y_1$	Next state				Output $z$
	$w_2 w_1 = 00$	01	10	11	
	$Y_2 Y_1$	$Y_2 Y_1$	$Y_2 Y_1$	$Y_2 Y_1$	
00	(00)	01	10	10	0
01	11	(01)	10	10	0
10	00	11	(10)	(10)	1
11	(11)	(11)	(11)	10	1

(a) Excitation table

Present state	Next state				Output $z$
	$w_2 w_1 = 00$	01	10	11	
A	(A)	B	C	C	0
B	D	(B)	C	C	0
C	A	D	(C)	(C)	1
D	(D)	(D)	(D)	C	1

(b) Flow table implemented by the circuit

Present state	Next state				Output $z$
	$w_2 w_1 = 00$	01	10	11	
A	(A)	B	C	C	0
B	D	(B)	-	C	0
C	A	D	(C)	(C)	1
D	(D)	(D)	(D)	C	1

(c) Final flow table

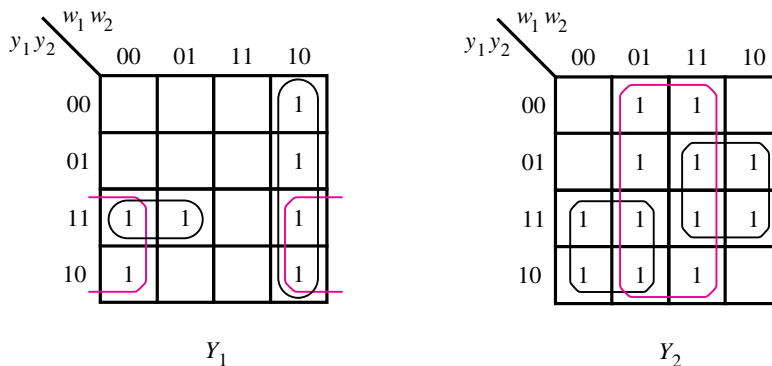
**Figure 9.77** Excitation and flow tables for the circuit in Figure 9.76.

Since in a given stable state, inputs to the circuit can only change one at a time, some entries in the flow table may be designated as unspecified. Such is the case when the circuit is stable in state  $B$  and input values are  $w_2w_1 = 01$ . Now, both inputs cannot change simultaneously, which means that the corresponding entry in the flow table should be designated as unspecified. However, a different situation arises when the circuit is stable in state  $A$  and input values are  $w_2w_1 = 00$ . In this case, we cannot indicate the transition in column  $w_2w_1 = 11$  as unspecified. The reason is that if the circuit is in stable state  $B$ , it has to be able to change to state  $C$  when  $w_2$  changes from 0 to 1. States  $B$  and  $C$  are implemented as  $y_2y_1 = 01$  and  $y_2y_1 = 10$ , respectively. Since both state variables must change their values, the route from 01 to 10 will take place either via 11 or 00, depending on the delays in different paths in the circuit. If  $y_2$  changes first, the circuit will pass through unstable state  $D$  and then settle in the stable state  $C$ . But, if  $w_1$  changes first, the circuit has to pass through unstable state  $A$  before reaching state  $C$ . Hence, the transition to state  $C$  in the first row must be specified. This is an example of a safe race, where the circuit reaches the correct destination state regardless of propagation delays in different paths of the circuit. The final flow table is presented in Figure 9.77c.

**Problem:** Are there any hazards in the circuit in Figure 9.76?

**Example 9.20**

**Solution:** Figure 9.78 gives Karnaugh maps for the next-state expressions derived in Example 9.19. As seen from the maps, all prime implicants are included in the expression for  $Y_1$ . But, the expression for  $Y_2$  includes only three of the four available prime implicants. There is a static hazard when  $w_2y_2y_1 = 011$  and  $w_1$  changes from 0 to 1 (or 1 to 0). This hazard can be removed by adding the fourth prime implicant,  $y_1y_2$ , to the expression for  $Y_2$ .

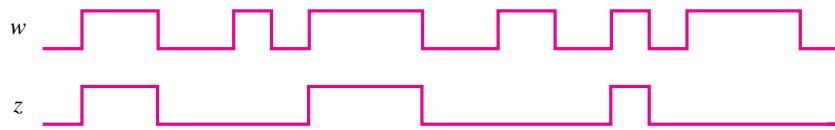


**Figure 9.78** Karnaugh maps for the circuit in Figure 9.76.

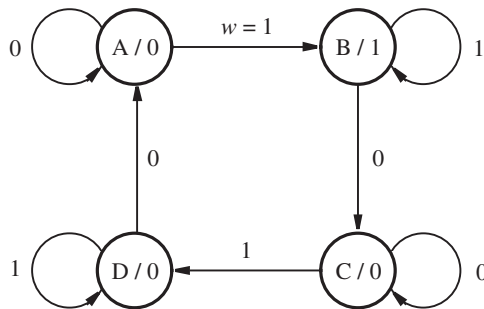
**Example 9.21 Problem:** A circuit has an input  $w$  and an output  $z$ . A sequence of pulses is applied on input  $w$ . The output has to replicate every second pulse, as illustrated in Figure 9.79. Design a suitable circuit.

**Solution:** Figure 9.80 shows a possible state diagram and the corresponding flow table. Compare this with the FSM defined in Example 9.4 in Figure 9.13, which specifies a serial parity generator. The only difference is in the output signal. In our case,  $z = 1$  only in state  $B$ . Therefore, the next-state expressions are the same as in Example 9.4. The output expression is

$$z = y_1\bar{y}_2$$



**Figure 9.79** Waveforms for Example 9.21.



(a) State diagram

Present state	Next state		Output $z$
	$w = 0$	$w = 1$	
A	(A)	B	0
B	C	(B)	1
C	(C)	D	0
D	A	(D)	0

(b) Flow table

**Figure 9.80** State diagram and flow table for Example 9.21.

Present state	Next state				Output $z$
	$w_2w_1 = 00$	01	10	11	
A	(A)	E	C	-	0
B	-	E	H	(B)	1
C	G	-	(C)	F	0
D	A	(D)	-	B	1
E	G	(E)	-	B	0
F	-	D	C	(F)	0
G	(G)	E	C	-	0
H	A	-	(H)	B	1

**Figure 9.81** Flow table for Example 9.22.

**Problem:** Consider the flow table in Figure 9.81. Reduce this flow table and find a state assignment that allows this FSM to be realized as simply as possible, preserving the Moore model. Derive an excitation table. **Example 9.22**

**Solution:** Using the partitioning procedure on the flow table in Figure 9.81 gives

$$\begin{aligned}
 P_1 &= (ACEFG)(BDH) \\
 P_2 &= (AG)(B)(C)(D)(E)(F)(H) \\
 P_3 &= P_2
 \end{aligned}$$

Combining  $A$  and  $G$  produces the flow table in Figure 9.82. A merger diagram for this table is shown in Figure 9.83. Merging the states  $(A, E)$ ,  $(C, F)$ , and  $(D, H)$  leads to the reduced flow table in Figure 9.84. To find a good state assignment, we relabel this flow table as indicated in Figure 9.85, and construct the transition diagram in Figure 9.86a. The only problem in this diagram is the transition from state  $D$  to state  $A$ , labeled as 1. A change from  $D$  to  $A$  can be made via state  $C$  if we specify so in the flow table. Then, a direct transition from  $D$  to  $A$  is not needed, as depicted in Figure 9.86b. The resulting flow table and the corresponding excitation table are shown in Figure 9.87.

**Problem:** Derive a hazard-free minimum-cost SOP implementation for the function **Example 9.23**

$$f(x_1, \dots, x_5) = \sum m(2, 3, 14, 17, 19, 25, 26, 30) + D(10, 23, 27, 31)$$

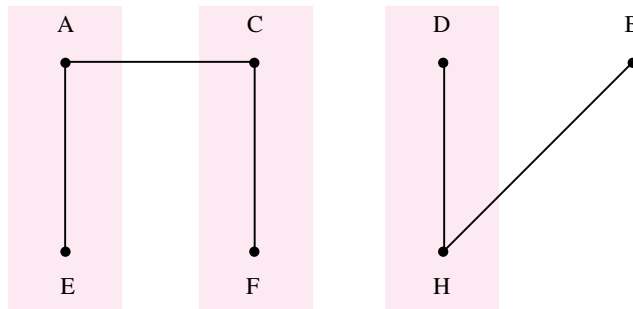
**Solution:** The Karnaugh map for the function is given in Figure 9.88. From it, the required expression is derived as

$$f = x_1\bar{x}_3x_5 + x_2x_4\bar{x}_5 + \bar{x}_1\bar{x}_2\bar{x}_3x_4 + \bar{x}_2\bar{x}_3x_4x_5$$

The first three product terms cover all 1s in the map. The fourth term is needed to avoid having a hazard when  $x_2x_3x_4x_5 = 0011$  and  $x_1$  changes from 0 to 1 (or 1 to 0). Thus, each pair of adjacent 1s is covered by some prime implicant in the expression.

Present state	Next state				Output $z$
	$w_2w_1 = 00$	01	10	11	
A	(A)	E	C	-	0
B	-	E	H	(B)	1
C	A	-	(C)	F	0
D	A	(D)	-	B	1
E	A	(E)	-	B	0
F	-	D	C	(F)	0
H	A	-	(H)	B	1

**Figure 9.82** Reduction after the partitioning procedure.



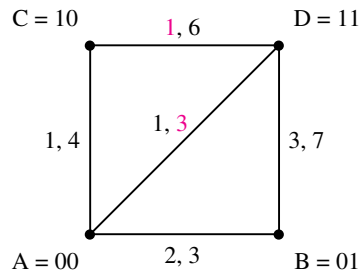
**Figure 9.83** Merger diagram for the flow table in Figure 9.82.

Present state	Next state				Output $z$
	$w_2w_1 = 00$	01	10	11	
A	(A)	(A)	C	B	0
B	-	A	D	(B)	1
C	A	D	(C)	(C)	0
D	A	(D)	(D)	B	1

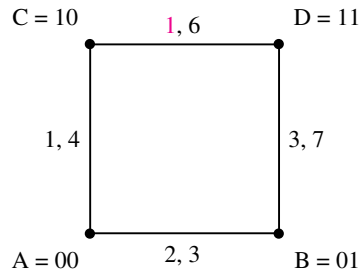
**Figure 9.84** Reduced flow table for the FSM in Figure 9.82.

Present state	Next state				Output $z$
	$w_2w_1 = 00$	01	10	11	
A	①	②	4	3	0
B	-	2	7	③	1
C	1	6	④	⑤	0
D	1	⑥	⑦	3	1

**Figure 9.85** Relabeled flow table of Figure 9.84.



(a) Initial transition diagram



(b) Augmented transition diagram

**Figure 9.86** Transition diagrams for Figure 9.85.

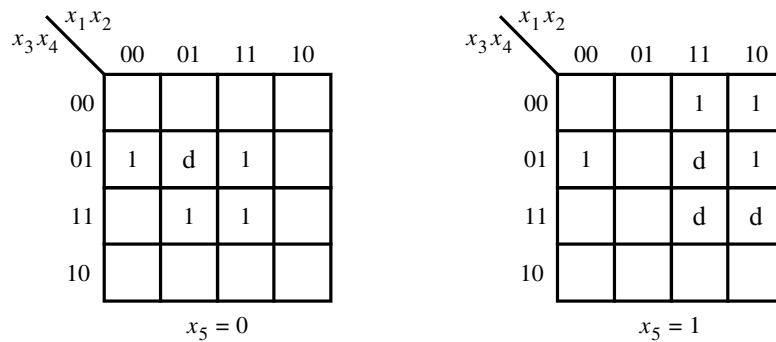
Present state	Next state				Output $z$
	$w_2w_1 = 00$	01	10	11	
A	(A)	(A)	C	B	0
B	-	A	D	(B)	1
C	A	D	(C)	(C)	0
D	C	(D)	(D)	B	1

(a) Final flow table

Present state $y_2y_1$	Next state				Output $z$
	$w_2w_1 = 00$	01	10	11	
	$Y_2Y_1$	$Y_2Y_1$	$Y_2Y_1$	$Y_2Y_1$	
00	(00)	(00)	10	01	0
01	-	00	11	(01)	1
10	00	11	(10)	(10)	0
11	10	(11)	(11)	01	1

(b) Excitation table

**Figure 9.87** Excitation and flow tables for Example 9.22.



**Figure 9.88** Karnaugh map for Example 9.23.

PROBLEMS

Answers to problems marked by an asterisk are given at the back of the book.

- \*9.1 Derive a flow table that describes the behavior of the circuit in Figure P9.1. Compare your solution with the tables in Figure 9.21. Is there any similarity?

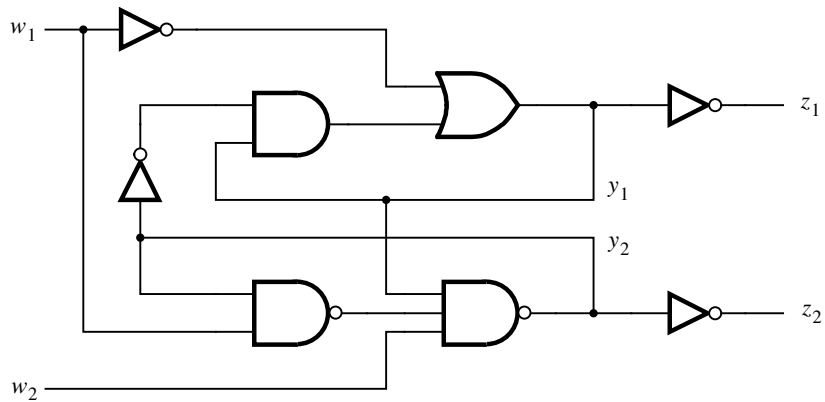


Figure P9.1 Circuit for Problem 9.1.

- 9.2 Consider the circuit in Figure P9.2. Draw the waveforms for the signals  $C$ ,  $z_1$ , and  $z_2$ . Assume that  $C$  is a square-wave clock signal and that each gate has a propagation delay  $\Delta$ . Express the behavior of the circuit in the form of a flow table that would produce the desired signals. (Hint: Use the Mealy model.)

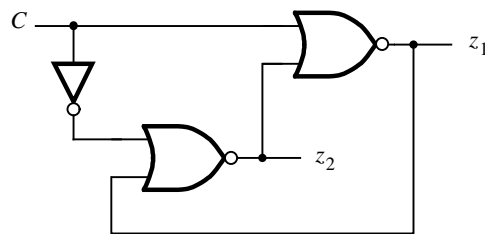


Figure P9.2 Circuit for Problem 9.2.

- 9.3 Derive the minimal flow table that specifies the same functional behavior as the flow table in Figure P9.3.
- 9.4 Derive the minimal Moore-type flow table that specifies the same functional behavior as the flow table in Figure P9.4.



Present state	Next state				Output $z$
	$w_2w_1 = 00$	01	10	11	
A	Ⓐ	B	C	-	0
B	D	Ⓑ	-	-	0
C	P	-	Ⓒ	-	0
D	Ⓓ	E	F	-	0
E	G	Ⓔ	-	-	0
F	M	-	Ⓕ	-	0
G	Ⓖ	H	I	-	0
H	J	Ⓗ	-	-	0
I	A	-	Ⓘ	-	1
J	Ⓙ	K	L	-	0
K	A	Ⓚ	-	-	1
L	A	-	Ⓛ	-	1
M	Ⓜ	N	O	-	0
N	A	Ⓝ	-	-	1
O	A	-	Ⓞ	-	1
P	Ⓟ	R	S	-	0
R	T	Ⓡ	-	-	0
S	A	-	Ⓢ	-	1
T	Ⓣ	U	V	-	0
U	A	Ⓤ	-	-	1
V	A	-	Ⓥ	-	1

**Figure P9.3** Flow table for Problem 9.3.

- 9.5** Find a suitable state assignment using as few states as possible and derive the next-state and output expressions for the flow table in Figure 9.42.
- 9.6** Find a suitable state assignment for the flow table in Figure 9.42, using pairs of equivalent states, as explained in Example 9.15. Derive the next-state and output expressions.
- 9.7** Find a state assignment for the flow table in Figure 9.42, using one-hot encoding. Derive the next-state and output expressions.
- \*9.8** Implement the FSM specified in Figure 9.39, using the merger diagram in Figure 9.40a.

Present state	Next state				Output $z$
	$w_2w_1 = 00$	01	10	11	
A	(A)	B	C	-	0
B	K	(B)	-	H	0
C	F	-	(C)	M	0
D	(D)	E	J	-	1
E	A	(E)	-	M	0
F	(F)	L	J	-	0
G	D	(G)	-	H	0
H	-	G	J	(H)	1
J	F	-	(J)	H	0
K	(K)	L	C	-	1
L	A	(L)	-	H	0
M	-	G	C	(M)	1

**Figure P9.4** Flow table for Problem 9.4.

- 9.9** Find a suitable state assignment for the FSM defined by the flow table in Figure P9.5. Derive the next-state and output expressions for the FSM using this state assignment.

Present state	Next state				Output $z$
	$w_2w_1 = 00$	01	10	11	
A	(A)	B	C	-	0
B	D	(B)	-	G	0
C	F	-	(C)	G	0
D	(D)	E	C	-	1
E	A	(E)	-	G	0
F	(F)	E	C	-	0
G	-	B	C	(G)	1

**Figure P9.5** Flow table for Problem 9.9.

- \*9.10** Find a hazard-free minimum-cost implementation of the function

$$f(x_1, \dots, x_4) = \sum m(0, 4, 11, 13, 15) + D(2, 3, 5, 10)$$

**9.11** Repeat Problem 9.10 for the function

$$f(x_1, \dots, x_5) = \sum m(0, 4, 5, 24, 25, 29) + D(8, 13, 16, 21)$$

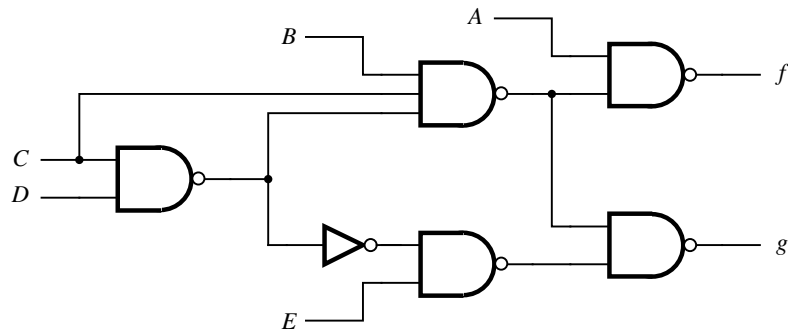
**\*9.12** Find a hazard-free minimum-cost POS implementation of the function

$$f(x_1, \dots, x_4) = \Pi M(0, 2, 3, 7, 10) + D(5, 13, 15)$$

**9.13** Repeat Problem 9.12 for the function

$$f(x_1, \dots, x_5) = \Pi M(2, 6, 7, 25, 28, 29) + D(0, 8, 9, 10, 11, 21, 24, 26, 27, 30)$$

**\*9.14** Consider the circuit in Figure P9.6. Does this circuit exhibit any hazards?



**Figure P9.6** Circuit for Problem 9.14.

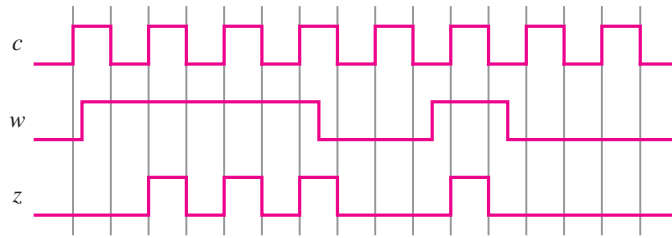
**9.15** Design an original circuit that exhibits a dynamic hazard.

**9.16** A control mechanism for a vending machine accepts nickels and dimes. It dispenses merchandise when 20 cents is deposited; it does not give change if 25 cents is deposited. Design the FSM that implements the required control, using as few states as possible. Find a suitable state assignment and derive the next-state and output expressions.

**\*9.17** Design an asynchronous circuit that meets the following specifications. The circuit has two inputs: a clock input  $c$  and a control input  $w$ . The output,  $z$ , replicates the clock pulses when  $w = 1$ ; otherwise,  $z = 0$ . The pulses appearing on  $z$  must be full pulses. Consequently, if  $c = 1$  when  $w$  changes from 0 to 1, then the circuit will not produce a partial pulse on  $z$ , but will wait until the next clock pulse to generate  $z = 1$ . If  $c = 1$  when  $w$  changes from 1 to 0, then a full pulse must be generated; that is,  $z = 1$  as long as  $c = 1$ . Figure P9.7 illustrates the desired operation.

**9.18** Repeat Problem 9.17 but with the following change in the specification. While  $w = 1$ , the output  $z$  should have only one pulse; if several pulses occur on  $c$ , only the first one should be reproduced on  $z$ .

**9.19** Example 9.6 describes a simple arbiter for two devices contending for a shared resource. Design a similar arbiter for three devices that use a shared resource. In case of simultaneous



**Figure P9.7** Waveforms for Problem 9.17.

requests, namely, if one device has been granted access to the shared resource and before it releases its request the other two devices make requests of their own, let the priority of the devices be Device 1 > Device 2 > Device 3.

- 9.20** In the discussion of Example 9.6, we mentioned a possible use of the mutual exclusion element (ME) to prevent both request inputs to the FSM being equal to 1 at the same time. Design an arbiter circuit for this case.
- 9.21** In Example 9.21 we designed a circuit that replicates every second pulse on input *w* as a pulse on output *z*. Design a similar circuit that replicates every third pulse.
- 9.22** In Example 9.22 we merged states *D* and *H* to implement the FSM in Figure 9.82. An alternative was to merge states *B* and *H*, according to the merger diagram in Figure 9.83. Derive an implementation using this choice. Derive the resulting excitation table.

---

## REFERENCES

1. K. J. Breeding, *Digital Design Fundamentals*, (Prentice-Hall: Englewood Cliffs, NJ, 1989).
2. F. J. Hill and G. R. Peterson, *Computer Aided Logical Design with Emphasis on VLSI*, 4th ed., (Wiley: New York, 1993).
3. V. P. Nelson, H. T. Nagle, B. D. Carroll, and J. D. Irwin, *Digital Logic Circuit Analysis and Design*, (Prentice-Hall: Englewood Cliffs, NJ, 1995).
4. N. L. Pappas, *Digital Design*, (West: St. Paul, MN, 1994).
5. C. H. Roth Jr., *Fundamentals of Logic Design*, 5th ed., (Thomson/Brooks/Cole: Belmont, Ca., 2004).
6. C. J. Myers, *Asynchronous Circuit Design*, (Wiley: New York, 2001).

*This page intentionally left blank*

---

chapter

# 10

## COMPUTER AIDED DESIGN TOOLS

### CHAPTER OBJECTIVES

In this chapter you will learn how CAD tools can be used to design and implement a logic circuit. The discussion deals with the synthesis and physical design stages in a typical CAD system, including

- Netlist extraction
- Technology mapping
- Placement
- Routing
- Static timing analysis

We introduced CAD tools in Section 2.9, and have discussed them briefly in other chapters. The word *tool* in this context means a software program that allows a user to perform a particular task. In this chapter we describe some of the tools in a typical CAD system in more detail, by showing how a small design example is processed and optimized as it passes through different stages in the CAD flow.

---

## 10.1 SYNTHESIS

Figure 10.1, which is reproduced from Figure 2.35, gives an overview of a CAD system. A description of the desired circuit is prepared, usually in the form of a hardware description language like Verilog HDL. The Verilog code is then processed by the synthesis stage of the CAD system. Synthesis is the process of generating a logic circuit from the user's specification. Figure 10.2 shows three typical phases that are found in the synthesis process.

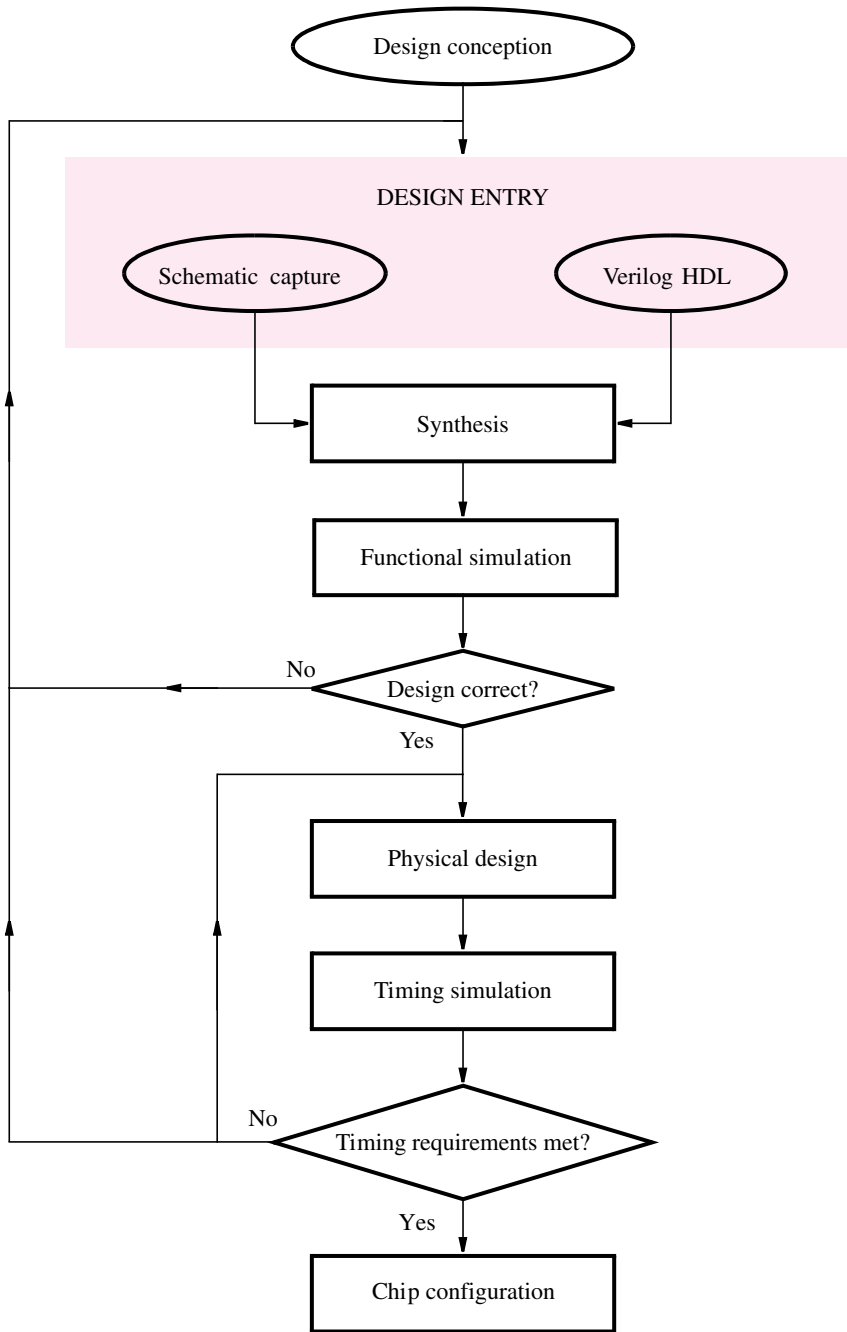
### 10.1.1 NETLIST GENERATION

The *netlist generation* phase checks the syntax of the code, and reports any errors such as undefined signals, missing parentheses, and wrong keywords. Once all errors are fixed a circuit netlist is generated as determined by the semantics of the Verilog code. The netlist uses logic expressions to describe the circuit, and includes components such as adders, flip-flops, and finite state machines.

### 10.1.2 GATE OPTIMIZATION

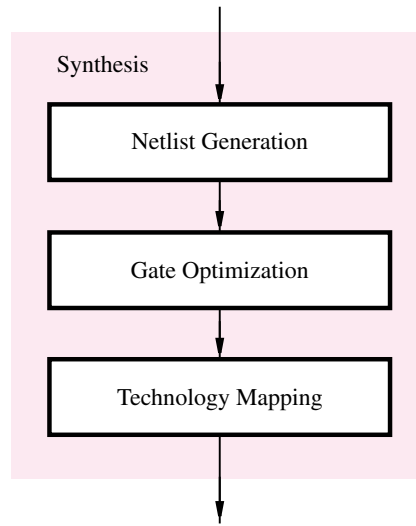
The next phase is *gate optimization*, which performs the kinds of logic optimizations described in the preceding chapters. These optimizations manipulate the netlist to obtain an equivalent, but better circuit according to the optimization goals. As we said previously, the measurement of what makes one circuit better than another may be based on the cost of the circuit, its speed of operation, or a combination of both.

As an example of results produced by the synthesis phases discussed so far, consider the Verilog code for the *addersubtractor* module in Figure 10.3, which specifies a circuit that can add or subtract  $n$ -bit numbers and accumulate the result in a register. From this code the synthesis tool produces a netlist that corresponds to the circuit in Figure 10.4. The input numbers,  $A = a_{n-1}, \dots, a_0$  and  $B = b_{n-1}, \dots, b_0$ , are placed into registers *Areg* and *Breg* prior to being used in addition or subtraction operations. These registers synchronize the operation of the circuit if  $A$  and  $B$  are externally provided asynchronous inputs. The control input *Sel* determines the mode of operation. If  $Sel = 0$ , then  $A$  is selected as an input to the adder; if  $Sel = 1$ , then the result register *Zreg* is selected. The control input *AddSub* determines whether the operation is addition or subtraction. The flip-flops in Figure 10.4 for registers  $A$ ,  $B$ ,  $Sel$ ,  $AddSub$ , and *Overflow* are inferred from the code at the bottom of Figure 10.3a. Multiplexers are produced from the *mux2to1* module, and an adder is generated from the *adderk* module in Figure 10.3b. The exclusive-OR gates connected to register  $B$ ,



**Figure 10.1** A typical CAD system.





**Figure 10.2** The stages included in a synthesis tool.

and the XOR function for the *Overflow* output are generated from the code near the middle of the *addersubtractor* module.

### 10.1.3 TECHNOLOGY MAPPING

The final phase of synthesis is *technology mapping*. This phase determines how each component in the netlist can be realized in the resources available in the target chip, such as an FPGA. A logic block for a typical FPGA is depicted in Figure 10.5a. It contains a four-input LUT and a flip-flop, and has two outputs. A multiplexer is provided to allow loading of the flip-flop from the LUT or directly from input *In3*. Another multiplexer allows the stored value in the flip-flop to be fed back to one input of the LUT. There are a number of different ways, or *modes*, in which this logic block can be used. The most straightforward choice is to implement a function of up to four inputs in the LUT, and store this function's value in the flip-flop; both the LUT and flip-flop can provide outputs from the logic block. Parts *b* to *e* of the figure illustrate four other modes of using the block. In parts *b* and *c* only the LUT or the flip-flop is used, but not both. In part *d* only the LUT provides an output of the logic block, and one of the LUT's inputs is connected to the flip-flop.

FPGAs often contain dedicated circuitry for implementation of fast adder circuits. Figure 10.5e shows one way in which such circuitry can be realized. The LUT is used in two halves, where one half produces the sum function of three LUT inputs and the other half produces the carry function of these inputs. The sum function can provide an output of the block or be stored in the flip-flop, and the carry function provides a special output signal. This carry output connects directly to a neighboring logic block that uses it as a carry input.

```

// Top-level module
module addsubtractor (A, B, Clock, Reset, Sel, AddSub, Z, Overflow);
  parameter n = 16;
  input [n-1:0] A, B;
  input Clock, Reset, Sel, AddSub;
  output [n-1:0] Z;
  output Overflow;
  reg SelR, AddSubR, Overflow;
  reg [n-1:0] Areg, Breg, Zreg;
  wire [n-1:0] G, H, M, Z;
  wire carryout, over_flow;

// Define combinational logic circuit
assign H = Breg ^ {n{AddSubR}};
mux2to1 multiplexer (Areg, Z, SelR, G);
  defparam multiplexer.k = n;
adderk nbit_adder (AddSubR, G, H, M, carryout);
  defparam nbit_adder.k = n;
assign over_flow = carryout ^ G[n-1] ^ H[n-1] ^ M[n-1];
assign Z = Zreg;

// Define flip-flops and registers
always @(posedge Reset or posedge Clock)
  if (Reset == 1)
    begin
      Areg <= 0; Breg <= 0; Zreg <= 0;
      SelR <= 0; AddSubR <= 0; Overflow <= 0;
    end
  else
    begin
      Areg <= A; Breg <= B; Zreg <= M;
      SelR <= Sel; AddSubR <= AddSub; Overflow <= over_flow;
    end
endmodule
... continued in Part b

```

**Figure 10.3** Verilog code for an accumulator circuit (Part a).

This block in turn generates the next stage of carry output, and so on. In this way, direct connections between neighboring logic blocks are used to form fast carry chains.

Figure 10.6 shows a part of the results of technology mapping for the netlist generated for Figure 10.4. Each logic block is highlighted with a blue square, and has a label on the lower left corner that indicates which mode in Figure 10.5 is being used. The figure shows bit  $h_0$  from Figure 10.4, which is produced by a logic block in mode  $d$ . This block uses

```

// k-bit 2-to-1 multiplexer
module mux2to1 (V, W, Selm, F);
  parameter k = 8;
  input [k-1:0] V, W;
  input Selm;
  output [k-1:0] F;
  reg [k-1:0] F;

  always @(V or W or Selm)
    if (Selm == 0) F = V;
    else F = W;
endmodule

// k-bit adder
module adderk (carryin, X, Y, S, carryout);
  parameter k = 8;
  input [k-1:0] X, Y;
  input carryin;
  output [k-1:0] S;
  output carryout;
  reg [k-1:0] S;
  reg carryout;

  always @(X or Y or carryin)
    {carryout, S} = X + Y + carryin;
endmodule

```

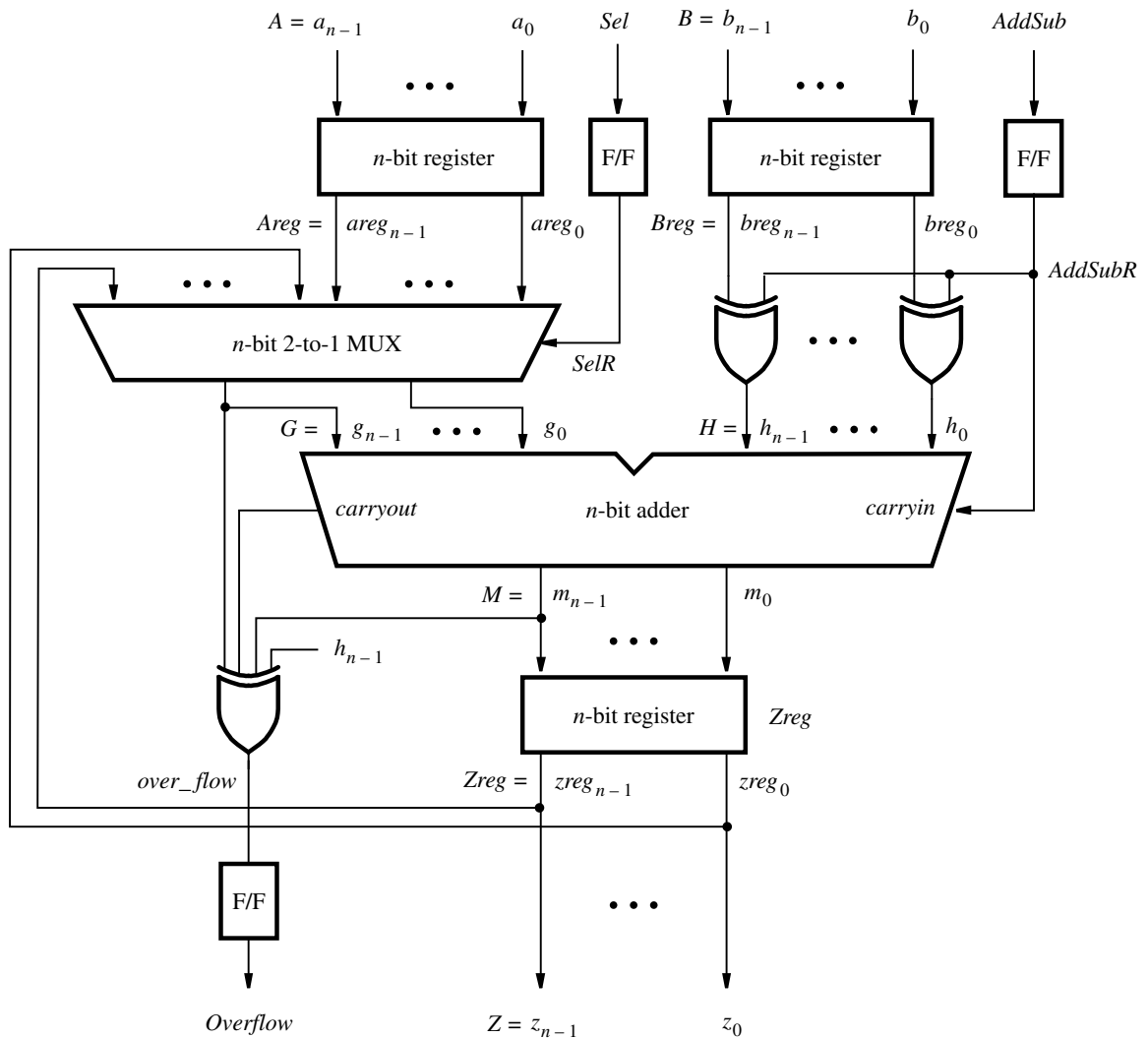
**Figure 10.3** Verilog code for an accumulator circuit (Part *b*).

a flip-flop to store the value of primary input  $b_0$ , and implements an XOR function in its LUT, which is needed in subtraction operations to complement the number  $B$ . One input of the XOR is provided by the logic block in mode  $c$  that stores in a flip-flop the value of the *AddSub* input. This flip-flop also drives 15 other logic blocks that implement  $h_1, \dots, h_{15}$ , but these blocks are not shown in the figure.

The *AddSub* flip-flop is connected to the carry-in of the first logic block in the adder. This block uses mode  $e$  to produce sum and carry outputs. The sum is stored in a flip-flop that produces  $z_0$ , and the carry feeds the next stage of the adder. The figure shows the carry function in the form

$$c_1 = \overline{(c_0 \oplus h_0)} \cdot h_0 + (c_0 \oplus h_0) \cdot g_0$$

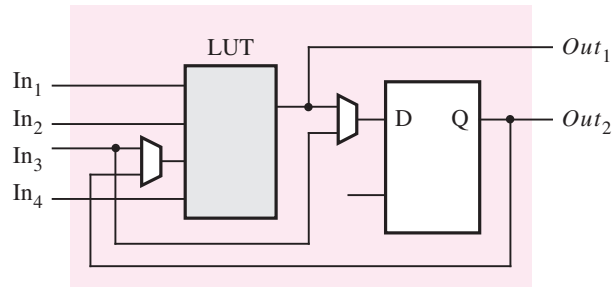
This expression is functionally equivalent to the one used in Chapter 3, which has the form  $c_1 = c_0 h_0 + c_0 g_0 + h_0 g_0$ , but it represents more closely how the carry chain is built in an FPGA. The last logic block of the adder in Figure 10.6 does not use its flip-flop, because the sum output has to be connected directly to the logic block that implements the *Overflow*



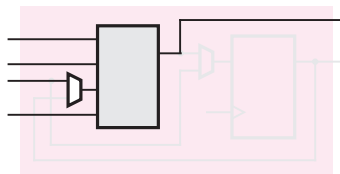
**Figure 10.4** Circuit specified by the code in Figure 10.3.

signal. The sum output cannot be provided from both the combinational and registered outputs concurrently, so a separate logic block in mode  $c$  is needed for the  $z_{15}$  signal.

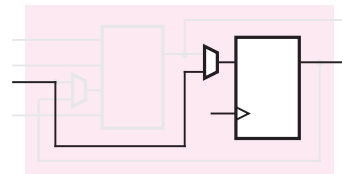
Figure 10.6 shows only a few of the logic blocks that a technology mapping tool would create for implementing our circuit. In general, there are many different ways in which technology mapping can be done, and each method will lead to equivalent, but different circuits. The reader can consult references [1–3] for a detailed discussion of technology mapping approaches.



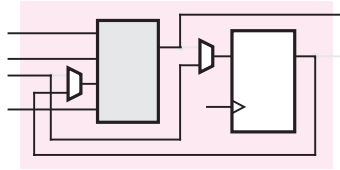
(a) An FPGA logic element.



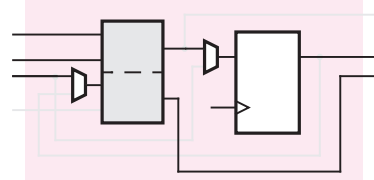
(b) Combinational mode



(c) Synchronous mode



(d) Synchronous feedback mode



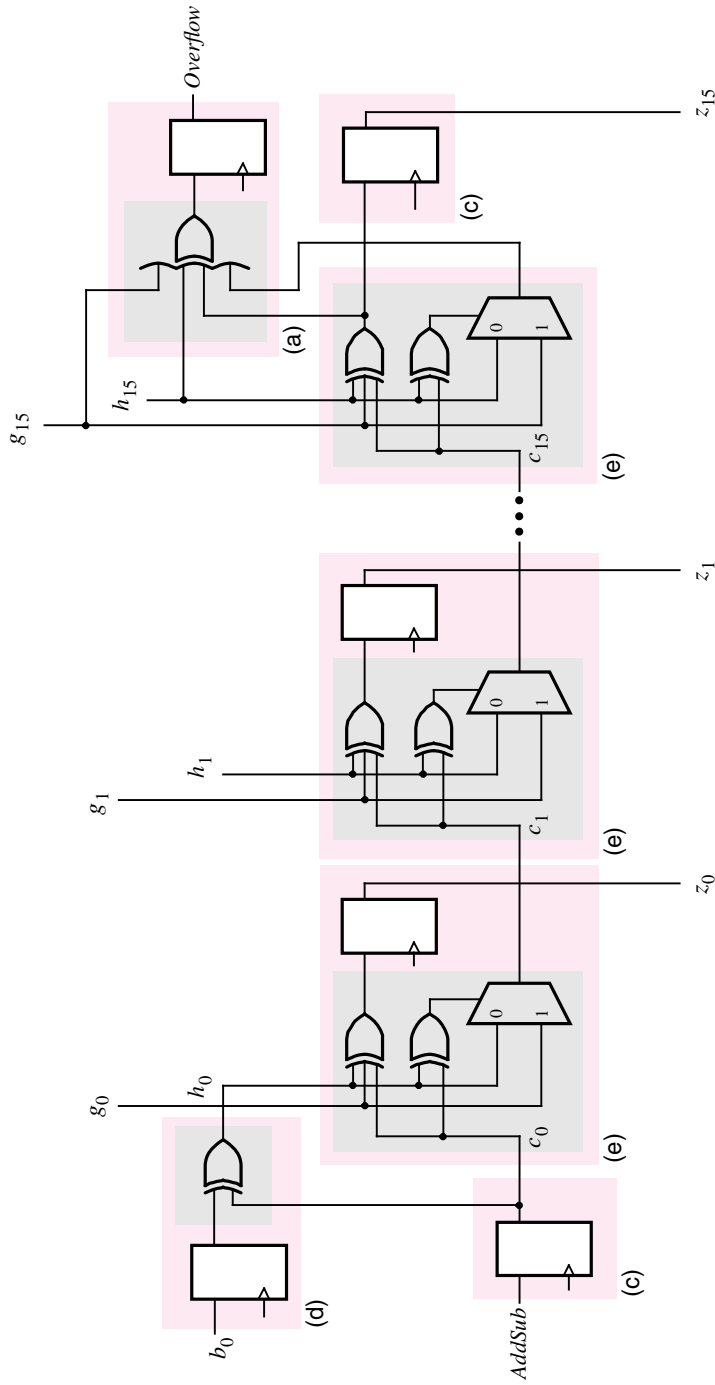
(e) Arithmetic (synchronous) mode

**Figure 10.5** Different modes of an FPGA logic block.

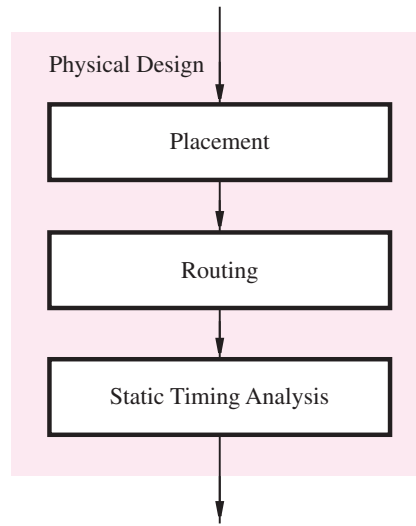
## 10.2 PHYSICAL DESIGN

The next stages following synthesis in Figure 10.1 are functional simulation and physical design. As we said in Section 2.9, functional simulation involves applying test patterns to the synthesized netlist and checking to see if it produces the correct outputs. The simulation assumes that there are no propagation delays in the circuit, because the intent is to evaluate the basic functionality rather than timing. The netlist used by a functional simulator could be either the version before technology mapping, or after.

Once the netlist produced by synthesis is functionally correct, the physical design stage can be performed. This stage determines exactly how the synthesized netlist will be



**Figure 10.6** A part of the circuit in Figure 10.4 after technology mapping.



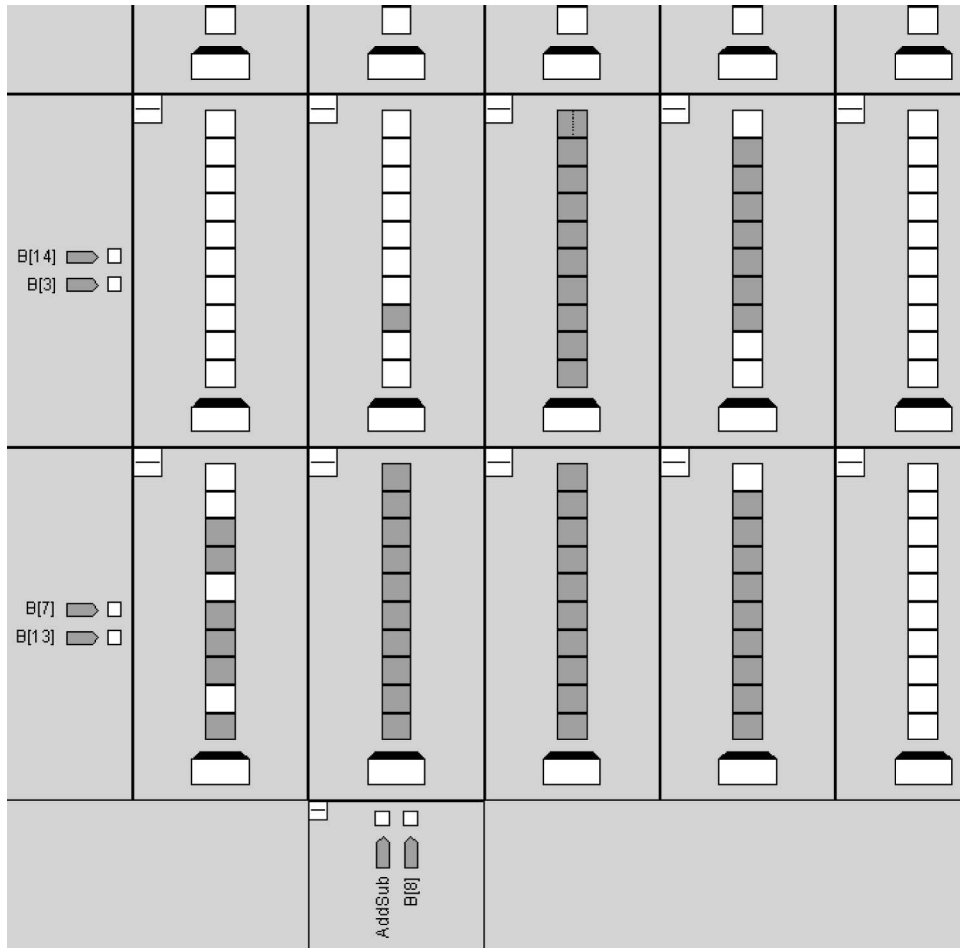
**Figure 10.7** Phases in physical design.

implemented in the target chip. As illustrated in Figure 10.7, three phases are involved: placement, routing, and static timing analysis.

### 10.2.1 PLACEMENT

The placement phase chooses a location on the target device for each logic block in the technology-mapped netlist. An example of a placement result is given in Figure 10.8. It shows an array of logic blocks in a small portion of an FPGA chip. The white squares represent unoccupied blocks and the grey squares show the placement of blocks that implement the circuit of Figure 10.4. There is a total of 53 logic blocks in this circuit, including the ones shown in Figure 10.6. Also shown in Figure 10.8 is the placement of some of the primary inputs to the circuit, which are assigned to pins around the chip periphery.

To find a good placement solution a number of different locations have to be considered for each logic block. For a large circuit, which may contain tens of thousands of blocks, this is a hard problem to solve. To appreciate the complexity involved, consider how many different placement solutions are possible for a given circuit. Assume that the circuit has  $N$  logic blocks, and it is to be placed in an FPGA that also contains exactly  $N$  blocks. A placement tool has  $N$  choices for the location of the first block that it selects. There remain  $N - 1$  choices for the second block,  $N - 2$  choices for the third, and so on. Multiplying these choices gives a total of  $(N)(N - 1) \cdots (1) = N!$  possible placement solutions. For even moderate values,  $N!$  is a huge number, which means that heuristic techniques must be used to find a good solution while considering only a small fraction of the total number of choices. A typical commercial placement tool operates by constructing an initial placement configuration and then moving logic blocks to different locations in an iterative manner.



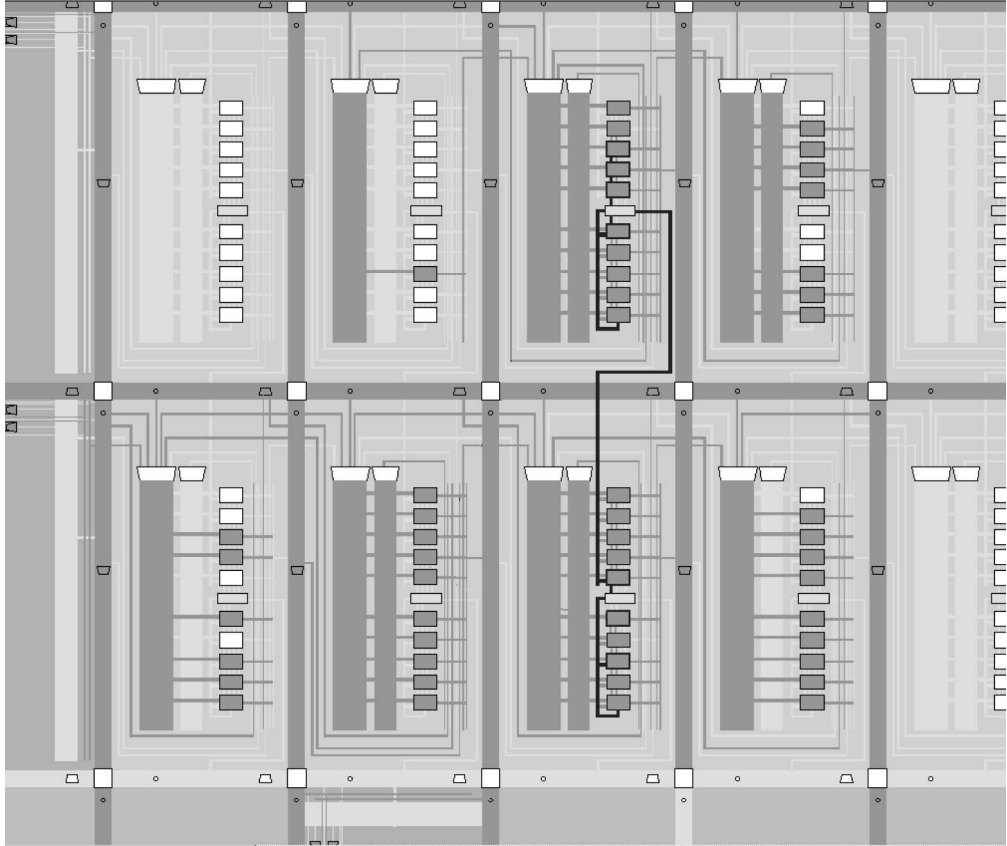
**Figure 10.8** Placement of the circuit in Figure 10.6.

For each iteration the quality of the solution is assessed by using metrics that estimate the speed of operation of the implemented circuit, or its cost. The placement problem has been studied extensively and is described in detail in references [4–7].

### 10.2.2 ROUTING

Once a location in the chip is chosen for each logic block in a circuit, the routing phase connects the blocks together by using the wires that exist in the chip. An example of a routing solution for the placement in Figure 10.8 is given in Figure 10.9. In addition to showing the logic blocks, this figure also displays some of the wires in the chip. Wires





**Figure 10.9** Routing for the placement in Figure 10.8.

that are being used by the implemented circuit are shaded in grey. The figure depicts both individual wires, which may be of various lengths, and bundles of wires, which are shown as grey rectangles. The routing CAD tool tries to make the best use of various kinds of wires, such as efficient connections for carry chains. Figure 10.9 shows an example of the carry chain path from Figure 10.6. Black lines highlight the carry chain wires, which connect through the stages of the adder, ending at the *Overflow* register. A detailed discussion of routing tools can be found in references [3], [5–6], and [8].

### 10.2.3 STATIC TIMING ANALYSIS

After routing is complete the timing delays for the implemented circuit are known, because the CAD system computes the timing delays of all blocks and wires in the chip. A static timing analysis tool examines this delay information and produces a set of tables that

quantify the circuit's performance. An example of a timing analysis result is given in Table 10.1, which lists four parameters:  $F_{max}$ ,  $t_{su}$ ,  $t_{co}$ , and  $t_h$ . The  $F_{max}$  value specifies the maximum operating frequency of the circuit's *clock*. This value is determined by the path with the longest propagation delay, often called the *critical path*, between any two flip-flops in the circuit. As shown in Sections 5.15 and 7.8, the path delay must account for the delays through logic blocks and wires, as well as the flip-flop clock-to-Q delay ( $t_{cQ}$ ) and setup ( $t_{su}$ ) parameters. In our example the critical path delay is  $1/261.1 \times 10^6 = 3.83$  ns. The last two columns in the  $F_{max}$  row show that the path starts at the *AddSub* flip-flop and ends at the *Overflow* flip-flop shown in Figure 10.6.

Most CAD systems allow users to specify the timing constraints for their circuit. In Table 10.1 we assume the user has specified that the circuit *clock* has to operate correctly up to a frequency of 200 MHz. The difference between this requirement and the result that is obtained by the CAD tools is referred to as *slack*. In the table, the requirement is that the propagation delays must not exceed  $1/200 \times 10^6 = 5$  ns; the result is 3.83 ns, which gives a slack value of 1.17 ns. This positive slack means that the constraints have been met with some room to spare. If the obtained result had a negative slack, then the user's requirements would not have been met, and it would be necessary to modify the Verilog code or settings used in the CAD tool to try to meet the constraints.

The other rows in Table 10.1 show the timing results for the design's primary inputs and outputs. The  $t_{su}$  result indicates the worst-case setup requirement is 2.356 ns, from pin  $b_0$  to flip-flop *breg<sub>0</sub>*. This parameter means that the  $b_0$  signal must have a stable value at least 2.356 ns before each active edge of the clock signal at its assigned pin. Since the designer specified a worst-case setup constraint of 10 ns, the obtained result means that the implemented circuit exceeds (meets) the requirement by a slack value of 7.644 ns. The worst-case clock-to-output delay for our circuit is 6.772 ns, from flip-flop *zreg<sub>0</sub>* to pin  $z_0$ . This means that the propagation delay from an active edge of the clock signal at its pin to a corresponding change in the  $z_0$  signal at its pin is 6.772 ns. Since the designer's constraint specifies that a 10 ns  $t_{co}$  is allowed, the available slack is 3.228 ns.

The last row in Table 10.1 gives a maximum hold time of 0.24 ns, for the path from pin  $b_1$  to flip-flop *breg<sub>1</sub>*. Hence, the signal at pin  $b_1$  must maintain a stable value for at least 0.24 ns after each active edge at the clock pin. We assume that no constraint was set for this parameter, thus no slack value is shown.

**Table 10.1** A summary of static timing analysis results.

Parameter	Actual	Required	Slack	From	To
$F_{max}$	261.1 MHz	200 MHz	1.17 ns	<i>AddSub</i>	<i>Overflow</i>
$t_{su}$	2.356 ns	10.0 ns	7.644 ns	$b_0$	<i>breg<sub>0</sub></i>
$t_{co}$	6.772 ns	10.0 ns	3.228 ns	<i>zreg<sub>0</sub></i>	$z_0$
$t_h$	0.240 ns	N/A	N/A	$b_1$	<i>breg<sub>1</sub></i>

Table 10.1 lists only the worst-case paths for  $F_{max}$ ,  $t_{su}$ ,  $t_{co}$ , and  $t_h$ . The implemented circuit will have a number of other paths that have smaller delays and greater slack values. A static timing analysis tool typically provides additional tables for each parameter, which list more paths.

The final stage of the CAD flow in Figure 10.1 is timing simulation. In this stage both the circuit's functional and timing behavior can be simulated. When performing timing simulation the CAD tools include estimates of timing delays for all logic elements, routing wires, and other resources that exist in the target device.

---

### 10.3 CONCLUDING REMARKS

In this chapter we explained briefly a typical design flow made possible by the existence of powerful CAD tools. We considered only the most important subset of the tools available in commercial CAD systems. To learn more the reader can consult references [1–8], or visit the web sites of CAD tool suppliers. Table 10.2 lists some of the major vendors of CAD tools, and shows their web addresses and the names of some popular products.

**Table 10.2** Major CAD tool products.

Vendor Name	WWW Locator	Product Names
Altera	altera.com	Quartus II
Mentor Graphics	mentorgraphics.com	ModelSim, Precision
Synopsys	synopsys.com	Design Compiler, VCS
Xilinx	xilinx.com	ISE, Vivado

---

## REFERENCES

1. R. Murgai, R. Brayton, A. Sangiovanni-Vincentelli, *Logic Synthesis for Field-Programmable Gate Arrays*, (Kluwer Academic Publishers, 1995).
2. J. Cong and Y. Ding, *FlowMap: An Optimal Technology Mapping Algorithm for Delay Optimization in Lookup-Table Based FPGA Designs*, (in IEEE Transactions on Computer-aided Design 13 (1), January 1994).
3. S. Brown, R. Francis, J. Rose, Z. Vranesic, *Field-Programmable Gate Arrays*, (Kluwer Academic Publishers, 1995).
4. M. Breuer, *A Class of Min-cut Placement Algorithms*, (in Design Automation Conference, pages 284–290, IEEE/ACM, 1977).
5. Carl Sechen, *VLSI Placement and Global Routing Using Simulated Annealing*, (Kluwer Academic Publishers, 1988).
6. V. Betz, J. Rose, and A. Marquardt, *Architecture and CAD for Deep-Submicron FPGAs*, (Kluwer Academic Publishers, 1999).
7. M. Sarrafzadeh, M. Wang, and X. Yang, *Modern Placement Techniques*, (Kluwer Academic Publishers, 2003).
8. L. McMurchie and C. Ebeling, *PathFinder: A Negotiation-Based Performance-Driven Router for FPGAs*, (in International Symposium on Field Programmable Gate Arrays, Monterey, Ca., Feb. 1995).

*This page intentionally left blank*

---

chapter

# 11

## TESTING OF LOGIC CIRCUITS

### CHAPTER OBJECTIVES

In this chapter you will be introduced to:

- Various techniques for testing of digital circuits
- Representation of typical faults in a circuit
- Derivation of tests needed to test the behavior of a circuit
- Design of circuits for easy testability

In the previous chapters we have discussed the design of logic circuits. Following a sound design procedure, we expect that the designed circuit will perform as required. But how does one verify that the final circuit indeed achieves the design objectives? It is essential to ascertain that the circuit exhibits the required functional behavior and that it meets any timing constraints that are imposed on the design. We have discussed the timing issues in several places in the book. In this chapter we will discuss some testing techniques that can be used to verify the functionality of a given circuit.

There are several reasons for testing a logic circuit. When the circuit is first developed, it is necessary to verify that the designed circuit meets the required functional and timing specifications. When multiple copies of a correctly designed circuit are being manufactured, it is essential to test each copy to ensure that the manufacturing process has not introduced any flaws. It is also necessary to test circuits used in equipment that is installed in the field when it is suspected that there may be something wrong.

The basis of all testing techniques is to apply predefined sets of inputs, called *tests*, to a circuit and compare the outputs observed with the patterns that a correctly functioning circuit is supposed to produce. The challenge is to derive a relatively small number of tests that provide an adequate indication that the circuit is correct. The exhaustive approach of applying all possible tests is impractical for large circuits because there are too many possible tests.

---

## 11.1 FAULT MODEL

A circuit functions incorrectly when there is something wrong with it, such as a transistor fault or an interconnection wiring fault. Many things can go wrong, leading to a variety of faults. A transistor switch can break so that it is permanently either closed or open. A wire in the circuit can be shorted to  $V_{DD}$  or to ground, or it can be simply broken. There can be an unwanted connection between two wires. A logic gate may generate a wrong output signal because of a fault in the circuitry that implements the gate. Dealing with many different types of faults is cumbersome. Fortunately, it is possible to restrict the testing process to some simple faults, and obtain generally satisfactory results.

### 11.1.1 STUCK-AT MODEL

Most circuits discussed in this text use logic gates as the basic building blocks. A good model for representing faults in such circuits is to assume that all faults manifest themselves as some wires (inputs or outputs of gates) being permanently stuck at logic value 0 or 1. We indicate that a wire,  $w$ , has an undesirable signal that always corresponds to the logic value 0 by saying that  $w$  is *stuck-at-0*, which is denoted as  $w/0$ . If  $w$  has an undesirable signal that is always equal to logic 1, then  $w$  is *stuck-at-1*, which is denoted as  $w/1$ .

An obvious example of a stuck-at fault is when an input to a gate is incorrectly connected to a power supply, either  $V_{DD}$  or ground. But the stuck-at model is also useful for dealing with faults of other types, which often cause the same problems as if a wire were stuck at a particular logic value. The exact impact of a fault in the circuitry that implements a logic gate depends on the particular technology used. We will restrict our attention to the stuck-at faults and will examine the testing process assuming that these are the only faults that can occur.

### 11.1.2 SINGLE AND MULTIPLE FAULTS

A circuit can be faulty because it has either a single fault or possibly many faults. Dealing with multiple faults is difficult because each fault can occur in many different ways. A pragmatic approach is to consider single faults only. Practice has shown that a set of tests that can detect all single faults in a given circuit can also detect the vast majority of multiple faults.

A fault is detected if the output value produced by the faulty circuit is different from the value produced by the good circuit when an appropriate test is applied as input. Each test is supposed to be able to detect the occurrence of one or more faults. A complete set of tests used for a given circuit is referred to as the *test set*.

### 11.1.3 CMOS CIRCUITS

CMOS logic circuits present some special problems in terms of faulty behavior. The transistors may fail in permanently open or shorted (closed) state. Many such failures manifest themselves as stuck-at faults. But some produce entirely different behavior. For example, transistors that fail in the shorted state may cause a continuous flow of current from  $V_{DD}$  to ground, which can create an intermediate output voltage that may not be determined as either logic 0 or 1. Transistors failing in the open state may lead to conditions where the output capacitor retains its charge level because the switch that is supposed to discharge it is broken. The effect is that a combinational CMOS circuit starts behaving as a sequential circuit.

Specific techniques for testing of CMOS circuits are beyond the scope of this book. An introductory discussion of this topic can be found in references [1–3]. Testing of CMOS circuits has been the subject of considerable research [4–6]. We will assume that a test set developed using the stuck-at model will provide an adequate coverage of faults in all circuits.

---

## 11.2 COMPLEXITY OF A TEST SET

There is large difference in testing combinational and sequential circuits. Combinational circuits can be tested adequately regardless of their design. Sequential circuits present a much greater challenge because the behavior of a circuit under test is influenced not only by the tests that are applied to the external inputs but also by the states that the circuit is in when the tests are applied. It is very difficult to test a sequential circuit designed by a designer who does not take its testability into account. However, it is possible to design such circuits to make them more easily testable, as we will discuss in Section 11.6. We will start by considering the testing of combinational circuits.

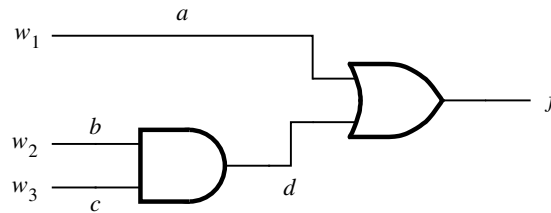
An obvious way to test a combinational circuit is to apply a test set that comprises all possible input valuations. Then it is only necessary to check if the output values produced by the circuit are the same as specified in a truth table that defines the circuit. This approach works well for small circuits, where the test set is not large, but it becomes totally impractical



for large circuits with many input variables. Fortunately, it is not necessary to apply all  $2^n$  valuations as tests for an  $n$ -input circuit. A complete test set, capable of detecting all single faults, usually comprises a much smaller number of tests.

Figure 11.1a gives a simple three-input circuit for which we want to determine the smallest test set. An exhaustive test set would include all eight input valuations. This circuit involves five wires, labeled  $a$ ,  $b$ ,  $c$ ,  $d$ , and  $f$  in the figure. Using our fault model, each wire can be stuck either at 0 or 1.

Figure 11.1b enumerates the utility of the eight input valuations as possible tests for the circuit. The valuation  $w_1w_2w_3 = 000$  can detect the occurrence of a stuck-at-1 fault on wires  $a$ ,  $d$ , and  $f$ . In a good circuit this test results in the output  $f = 0$ . However, if any of the faults  $a/1$ ,  $d/1$ , or  $f/1$  occurs, then the circuit will produce  $f = 1$  when the input valuation 000 is applied. The test 001 causes  $f = 0$  in the good circuit, and it results in



(a) Circuit

Test $w_1w_2w_3$	Fault detected									
	$a/0$	$a/1$	$b/0$	$b/1$	$c/0$	$c/1$	$d/0$	$d/1$	$f/0$	$f/1$
000		✓						✓		✓
001		✓		✓				✓		✓
010		✓				✓		✓		✓
011			✓		✓		✓		✓	
100	✓								✓	
101	✓								✓	
110	✓								✓	
111									✓	

(b) Faults detected by the various input valuations

**Figure 11.1** Fault detection in a simple circuit.

$f = 1$  if any of the faults  $a/1$ ,  $b/1$ ,  $d/1$ , or  $f/1$  occurs. This test can detect the occurrence of four different faults. We say that it *covers* these faults. The last test, 111, can detect only one fault,  $f/0$ .

A minimal test set that covers all faults in the circuit can be derived from the table by inspection. Some faults are covered by only one test, which means that these tests must be included in the test set. The fault  $b/1$  is covered only by 001. The fault  $c/1$  is covered only by 010. The faults  $b/0$ ,  $c/0$ , and  $d/0$  are covered only by 011. Therefore, these three tests are essential. For the remaining faults there is a choice of tests that can be used. Selecting the tests 001, 010, and 011 covers all faults except  $a/0$ . This fault can be covered by three different tests. Choosing 100 arbitrarily, a complete test set for the circuit is

$$\text{Test set} = \{001, 010, 011, 100\}$$

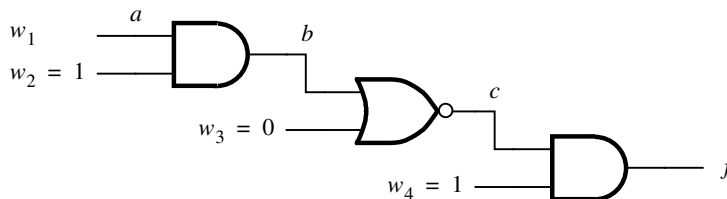
The conclusion is that all possible stuck-at faults in this circuit can be detected using four tests, rather than the eight tests that would be used if we simply tried to test the circuit using its complete truth table.

The size of the complete test set for a given  $n$ -input circuit is generally much smaller than  $2^n$ . But this size may still be unacceptably large in practical terms. Moreover, deriving the minimal test set is likely to be a daunting task for even moderately sized circuits. Certainly, the simple approach of Figure 11.1 is not practical. In the next section we will explore a more interesting approach.

## 11.3 PATH SENSITIZING

Deriving a test set by considering the individual faults on all wires in a circuit, as done in Section 11.2, is not attractive from the practical point of view. There are too many wires and too many faults to consider. A better alternative is to deal with several wires that form a path as an entity that can be tested for several faults using a single test. It is possible to activate a path so that the changes in the signal that propagates along the path have a direct impact on the output signal.

Figure 11.2 illustrates a path from input  $w_1$  to output  $f$ , through three gates, which consists of wires  $a$ ,  $b$ ,  $c$ , and  $f$ . The path is activated by ensuring that other paths in the circuit do not determine the value of the output  $f$ . Thus the input  $w_2$  must be set to 1 so that the signal at  $b$  depends only on the value at  $a$ . The input  $w_3$  must be 0 so that it does



**Figure 11.2** A sensitized path.

not affect the NOR gate, and  $w_4$  must be 1 to not affect the AND gate. Then if  $w_1 = 0$  the output will be  $f = 1$ , whereas  $w_1 = 1$  will cause  $f = 0$ . Instead of saying that the path from  $w_1$  to  $f$  is activated, a more specific term is used in technical literature, which says that the path is *sensitized*.

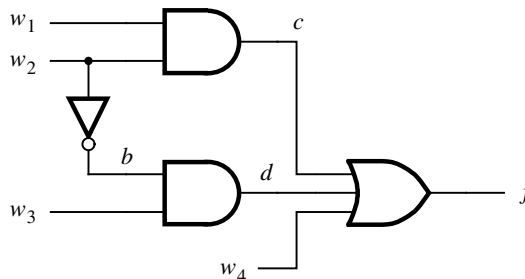
To sensitize a path through an input of an AND or NAND gate, all other inputs must be set to 1. To sensitize a path through an input of an OR or NOR gate, all other inputs must be 0.

Consider now the effect of faults along a sensitized path. The fault  $a/0$  in Figure 11.2 will cause  $f = 1$  even if  $w_1 = 1$ . The same effect occurs if the faults  $b/0$  or  $c/1$  are present. Thus the test  $w_1w_2w_3w_4 = 1101$  detects the occurrence of faults  $a/0$ ,  $b/0$ , and  $c/1$ . Similarly, if  $w_1 = 0$ , the output should be  $f = 1$ . But if any of the faults  $a/1$ ,  $b/1$ , or  $c/0$  is present, the output will be  $f = 0$ . Hence these three faults are detectable using the test 0101. The presence of any stuck-at fault along the sensitized path is detectable by applying only two tests.

The number of paths in a given circuit is likely to be much smaller than the number of individual wires. This suggests that it may be attractive to derive a test set based on the sensitized paths. This possibility is illustrated in the next example.

**Example 11.1 PATH-SENSITIZED TESTS** Consider the circuit in Figure 11.3. This circuit has five paths. The path  $w_1 - c - f$  is sensitized by setting  $w_2 = 1$  and  $w_4 = 0$ . It doesn't matter whether  $w_3$  is 0 or 1, because  $w_2 = 1$  causes the signal on wire  $b$  to be equal to 0, which forces  $d = 0$  regardless of the value of  $w_3$ . Thus the path is sensitized by setting  $w_2w_3w_4 = 1x0$ , where the symbol  $x$  means that the value of  $w_3$  does not matter. Now the tests  $w_1w_2w_3w_4 = 01x0$  and  $11x0$  detect all faults along this path. The second path,  $w_2 - c - f$ , is tested using 1000 and 1100. The path  $w_2 - b - d - f$  is tested using 0010 and 0110. The tests for the path  $w_3 - d - f$  are  $x000$  and  $x010$ . The fifth path,  $w_4 - f$ , is tested with  $0x00$  and  $0x01$ . Instead of using all ten of these tests, we can observe that the test 0110 serves also as the test 01x0, the test 1100 serves also as 11x0, the test 1000 serves also as x000, and the test 0010 serves also as x010. Therefore, the complete test set is

$$\text{Test set} = \{0110, 1100, 1000, 0010, 0x00, 0x01\}$$



**Figure 11.3** Circuit for Example 11.1.

While this approach is simpler, it is still impractical for large circuits. But the concept of path sensitizing is very useful, as we will see in the discussion that follows.

### 11.3.1 DETECTION OF A SPECIFIC FAULT

Suppose that we suspect that the circuit in Figure 11.3 has a fault where the wire  $b$  is stuck-at-1. A test that determines the presence of this fault can be obtained by sensitizing a path that propagates the effect of the fault to the output,  $f$ , where it can be observed. The path goes from  $b$  to  $d$  to  $f$ . It is necessary to set  $w_3 = 1$ ,  $w_4 = 0$ , and  $c = 0$ . The latter can be accomplished by setting  $w_1 = 0$ . If  $b$  is stuck-at-1, then it is necessary to apply an input that would normally produce the value of 0 on the wire  $b$ , so that the output values in good and faulty circuits would be different. Hence  $w_2$  must be set to 1. Therefore, the test that detects the  $b/1$  fault is  $w_1w_2w_3w_4 = 0110$ .

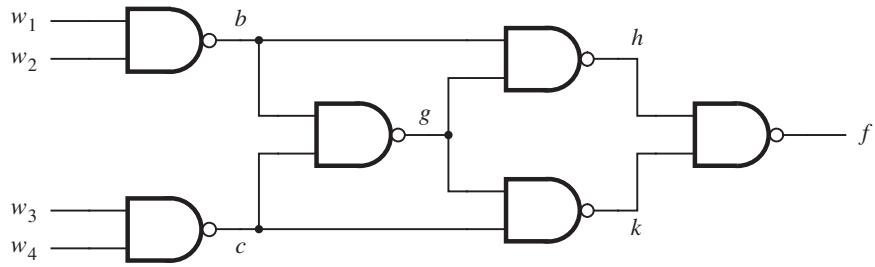
In general, the fault on a given wire can be detected by propagating the effect of the fault to the output, sensitizing an appropriate path. This involves assigning values to other inputs of the gates along the path. These values must be obtainable by assigning specific values to the primary inputs, which may not always be possible. Example 11.2 illustrates the process.

**FAULT PROPAGATION** As the effect of a fault propagates through the gates along a sensitized path, the polarity of the signal will change when passing through an inverting gate. Let the symbol  $D$  denote a stuck-at-0 fault in general. The effect of the stuck-at-0 fault will be unaltered when passed through an AND or OR gate. If  $D$  is on an input of an AND (OR) gate and the other inputs are set to 1 (0), then the output of the gate will behave as having  $D$  on it. But if  $D$  is on an input of a NOT, NAND, or NOR gate, then the output will appear to be stuck-at-1, which is denoted as  $\bar{D}$ .

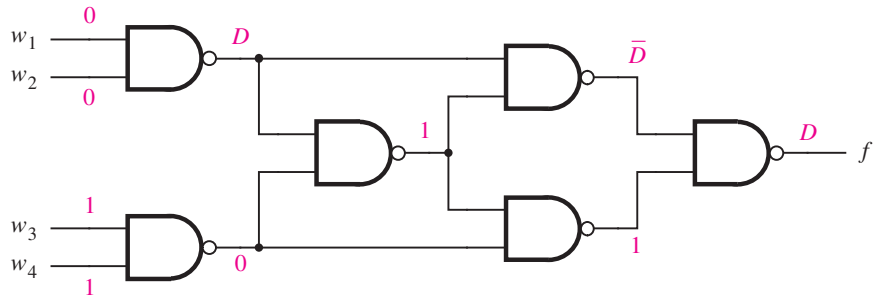
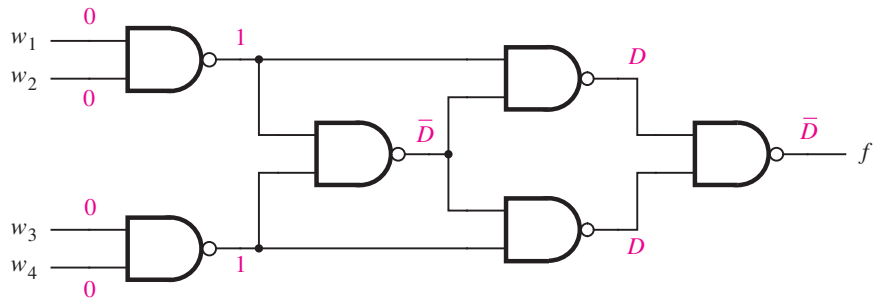
**Example 11.2**

Figure 11.4 shows how the effect of a fault can be propagated using the  $D$  and  $\bar{D}$  symbols. Suppose first that there is a stuck-at-0 fault on wire  $b$ ; that is,  $b/0$ . We want to propagate the effect of this fault along the path  $b - h - f$ . This can be done as indicated in Figure 11.4b. Setting  $g = 1$  propagates the fault to the wire  $h$ . Then  $h$  appears to be stuck-at-1, denoted by  $\bar{D}$ . Next the effect is propagated to  $f$  by setting  $k = 1$ . Since the last NAND also inverts the signal, the output becomes equal to  $D$ , which is equivalent to  $f/0$ . Thus in a good circuit the output should be 1, but in a faulty circuit it will be 0. Next we must ascertain that it is possible to have  $g = 1$  and  $k = 1$  by assigning the appropriate values to the primary input variables. This is called the *consistency check*. By setting  $c = 0$ , both  $g$  and  $k$  will be forced to 1, which can be achieved with  $w_3 = w_4 = 1$ . Finally, to cause the propagation of the fault  $D$  on wire  $b$ , it is necessary to apply a signal that causes  $b$  to have the value 1, which means that either  $w_1$  or  $w_2$  has to be 0. Then the test  $w_1w_2w_3w_4 = 0011$  detects the fault  $b/0$ .

Suppose next that the wire  $g$  is stuck-at-1, denoted by  $\bar{D}$ . We can try to propagate the effect of this fault through the path  $g - h - f$  by setting  $b = 1$  and  $k = 1$ . To make  $b = 1$ ,



(a) Circuit

(b) Detection of  $b/0$  fault(c) Detection of  $g/1$  fault**Figure 11.4** Detection of faults.

we set  $w_1 = w_2 = 0$ . To make  $k = 1$ , we have to make  $c = 0$ . But it is also necessary to cause the propagation of the  $\bar{D}$  fault on  $g$  by means of a signal that makes  $g = 0$  in the good circuit. This can be done only if  $b = c = 1$ . The problem is that at the same time we need  $c = 0$ , to make  $k = 1$ . Therefore, the consistency check fails, and the fault  $g/1$  cannot be propagated in this way.

Another possibility is to propagate the effect of the fault along two paths simultaneously, as shown in Figure 11.4c. In this case the fault is propagated along the paths  $g - h - f$  and

$g - k - f$ . This requires setting  $b = 1$  and  $c = 1$ , which also happens to be the condition needed to cause the propagation as explained above. The test 0000 achieves the desired objective of detecting  $g/1$ . Observe that if  $D$  (or  $\overline{D}$ ) appears on both inputs of a NAND gate, the output value will be  $\overline{D}$  (or  $D$ ).

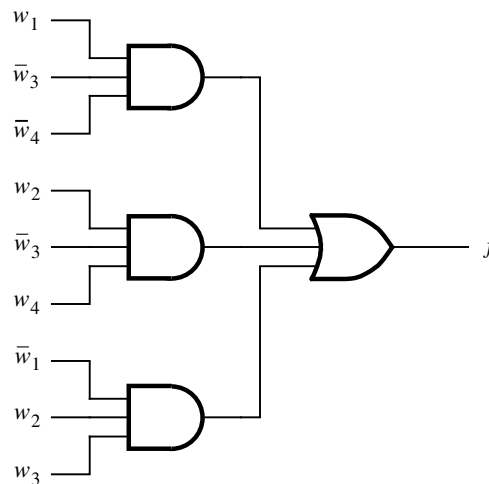
The idea of propagating the effect of faults using path sensitizing has been exploited in a number of methods for derivation of test sets for fault detection. The scheme illustrated in Figure 11.4 indicates the essence of the  $D$ -algorithm, which was one of the first practical schemes developed for fault detection purposes [7]. Other techniques have grown from this basic approach [8].

## 11.4 CIRCUITS WITH TREE STRUCTURE

Circuits with a treelike structure, where each gate has a fan-out of 1, are particularly easy to test. The most common forms of such circuits are the sum-of-products or product-of-sums. Since there is a unique path from each primary input to the output of the circuit, it is sufficient to derive the tests for faults on the primary inputs. We will illustrate this concept by means of the sum-of-products circuit in Figure 11.5.

If any input of an AND gate is stuck-at-0, this condition can be detected by setting all inputs of the gate to 1 and ensuring that the other AND gates produce 0. This makes  $f = 1$  in the good circuit, and  $f = 0$  in the faulty circuit. Three such tests are needed because there are three AND gates.

Testing for stuck-at-1 faults is slightly more involved. An input of an AND gate is tested for the stuck-at-1 fault by driving it with the logic value 0, while the other inputs of the gate have the logic value 1. Thus a good gate produces the output of 0, and a faulty



**Figure 11.5** Circuit with a tree structure.

No.	Product term			Test	
	$w_1\bar{w}_3\bar{w}_4$	$w_2\bar{w}_3w_4$	$\bar{w}_1w_2w_3$	$w_1w_2w_3w_4$	
Stuck-at-0 tests	1	1 1 1	0 1 0	0 0 0	1 0 0 0
	2	0 1 0	1 1 1	1 1 0	0 1 0 1
	3	0 0 0	1 0 1	1 1 1	0 1 1 1
Stuck-at-1 tests	4	0 1 1	1 1 0	1 1 0	0 1 0 0
	5	1 0 1	1 0 0	0 1 1	1 1 1 0
	6	1 1 0	0 1 1	0 0 0	1 0 0 1
	7	1 0 0	1 0 1	0 1 1	1 1 1 1
	8	0 0 0	0 0 1	1 0 1	0 0 1 1

**Figure 11.6** Derivation of tests for the circuit in Figure 11.5.

gate generates 1. At the same time, the other AND gates must have the output of 0, which is accomplished by making at least one input of these gates equal to 0.

Figure 11.6 shows the derivation of the necessary tests. The first three tests are for the stuck-at-0 faults. Test 4 detects a stuck-at-1 fault on either the first input of the top AND gate or the third inputs of the other two gates. Observe that in each case the tested input is driven by logic 0, while the other inputs are equal to 1. This yields the test vector  $w_1w_2w_3w_4 = 0100$ . Clearly, it is useful to test inputs on as many gates as possible using a single test vector. Test 5 detects a fault on either the second input of the top gate or the first input of the bottom gate; it does not test any inputs of the middle gate. The required test pattern is 1110. Three more tests are needed to detect stuck-at-1 faults on the remaining inputs of the AND gates. Therefore, the complete test set is

$$\text{Test set} = \{1000, 0101, 0111, 0100, 1110, 1001, 1111, 0011\}$$

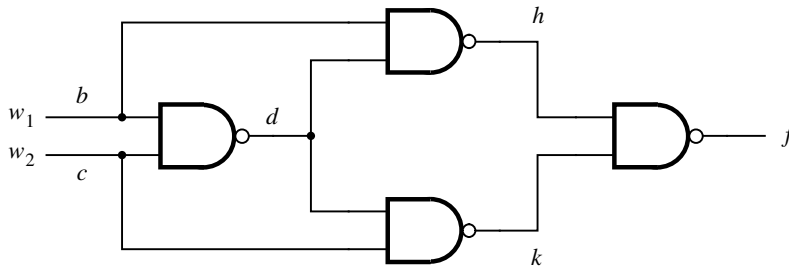
## 11.5 RANDOM TESTS

So far we have considered the task of deriving a *deterministic* test set for a given circuit, primarily relying on the path-sensitizing concept. In general, it is difficult to generate such test sets when circuits become larger. A useful alternative is to choose the tests at random, which we will explore in this section.

Figure 11.7 gives all functions of two variables. For an  $n$ -variable function, there are  $2^{2^n}$  possible functions; hence there are  $2^{2^2} = 16$  two-variable functions. Consider the XOR function, implemented as shown in Figure 11.8. Let us consider the possible stuck-at-0 and stuck-at-1 faults on wires  $b$ ,  $c$ ,  $d$ ,  $h$ , and  $k$  in this circuit. Each fault transforms the circuit

$w_1w_2$	$f_0$	$f_1$	$f_2$	$f_3$	$f_4$	$f_5$	$f_6$	$f_7$	$f_8$	$f_9$	$f_{10}$	$f_{11}$	$f_{12}$	$f_{13}$	$f_{14}$	$f_{15}$
00	0	0	0	0	0	0	0	0	1	1	1	1	1	1	1	1
01	0	0	0	0	1	1	1	1	0	0	0	0	1	1	1	1
10	0	0	1	1	0	0	1	1	0	0	1	1	0	0	1	1
11	0	1	0	1	0	1	0	1	0	1	0	1	0	1	0	1

**Figure 11.7** All two-variable functions.



**Figure 11.8** The XOR circuit.

into a faulty circuit that implements a function other than XOR, as indicated in Figure 11.9. To test the circuit, we can apply one or more input valuations to distinguish the good circuit from the possible faulty circuits listed in Figure 11.9. Choose arbitrarily  $w_1w_2 = 01$  as the first test. This test will distinguish the good circuit, which must generate  $f = 1$ , from the faulty circuits that realize  $f_0, f_2, f_3,$  and  $f_{10}$ , because each of these would generate  $f = 0$ . Next, arbitrarily choose the test  $w_1w_2 = 11$ . This test distinguishes the good circuit from the faulty circuits that realize  $f_5, f_7,$  and  $f_{15}$ , in addition to  $f_3$ , which we have already tested for using  $w_1w_2 = 01$ . Let the third test be  $w_1w_2 = 10$ ; it will distinguish the good circuit from  $f_4$  and  $f_{12}$ . These three tests, chosen in a seemingly random way, detect all faulty circuits that involve the faults in Figure 11.9. Moreover, note that the first two tests distinguish seven of the nine possible faulty circuits.

This example suggests that it may be possible to derive a suitable test set by selecting the tests randomly. How effective can random testing be? Looking at Figure 11.7, we see that any of the four possible tests distinguishes the correct function from eight faulty functions, because they produce different output values for this input valuation. These eight faulty functions detectable by a single test are one-half of the total number of possible functions ( $2^{2^2-1}$  for the two-variable case). The test cannot distinguish between the correct function and the seven faulty functions that produce the same output value. The application of the second test distinguishes four of the remaining seven functions because they produce



Fault	Circuit implements
$b/0$	$f_5 = w_2$
$b/1$	$f_{10} = \bar{w}_2$
$c/0$	$f_3 = w_1$
$c/1$	$f_{12} = \bar{w}_1$
$d/0$	$f_0 = 0$
$d/1$	$f_7 = w_1 + w_2$
$h/0$	$f_{15} = 1$
$h/1$	$f_4 = \bar{w}_1 w_2$
$k/0$	$f_{15} = 1$
$k/1$	$f_2 = w_1 \bar{w}_2$

**Figure 11.9** The effect of various faults.

an output value that is different from the correct function. Thus each application of a new test essentially cuts in half the number of faulty functions that have not been detected. Consequently, the probability that the first few tests will detect a large portion of all possible faults is high. More specifically, the probability that each faulty circuit can be detected by the first test is

$$P_1 = \frac{1}{2^{2^2} - 1} \cdot 2^{2^2-1} = \frac{8}{15} = 0.53$$

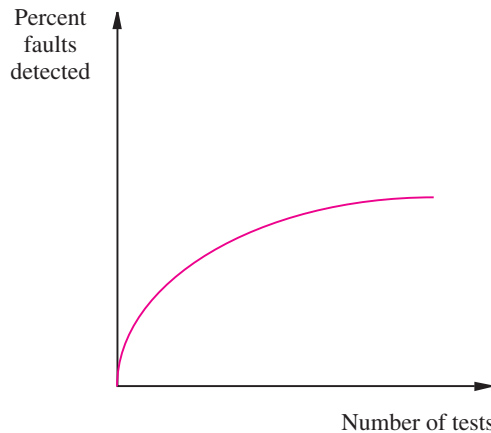
This is the ratio of the number of faulty circuits that produce an output value different from the good circuit, to the total number of faulty circuits.

This reasoning is readily extended to  $n$ -variable functions. In this case the first test detects  $2^{2^n-1}$  out of a total of  $2^{2^n} - 1$  possible faulty functions. Therefore, if  $m$  tests are applied, the probability that a faulty circuit will be detected is

$$P_m = \frac{1}{2^{2^n} - 1} \cdot \sum_{i=1}^m 2^{2^n-i}$$

This expression is depicted in graphical form in Figure 11.10. The conclusion is that random testing is very effective and that after a few tens of tests the existence of a fault is likely to be detected even in very large circuits.

Random testing works particularly well for circuits that do not have high fan-in. If fan-in is high, then it may be necessary to resort to other testing schemes. For example, suppose that an AND gate has a large number of inputs. Then there is a problem with detecting stuck-at-1 faults on its inputs, which may not be covered by random tests. But it is possible to test for these faults using the approach described in Section 11.4.



**Figure 11.10** Effectiveness of random testing.

The simplicity of random testing is a very attractive feature. For this reason, coupled with good effectiveness of tests, this technique is often used in practice.

---

## 11.6 TESTING OF SEQUENTIAL CIRCUITS

As seen in the previous sections, combinational circuits can be tested effectively, using either deterministic or random test sets. It is much more difficult to test sequential circuits. The presence of memory elements allows a sequential circuit to be in various states, and the response of the circuit to externally applied test inputs depends on the state of the circuit.

A combinational circuit can be tested by comparing its behavior with the functionality specified in the truth table. An equivalent attempt would be to test a sequential circuit by comparing its behavior with the functionality specified in the state table. This entails checking that the circuit performs correctly all transitions between states and that it produces a correct output. This approach may seem easy, but in reality it is extremely difficult. A big problem is that it is difficult to ascertain that the circuit is in a specific state if the state variables are not observable on the external pins of the circuit, which is usually the case. Yet for each transition to be tested, it is necessary to verify with complete certainty that the correct destination state was reached. Such an approach may work for very small sequential circuits, but it is not feasible for practical-size circuits. A much better approach is to design the sequential circuits so that they are easily testable.

### 11.6.1 DESIGN FOR TESTABILITY

A synchronous sequential circuit comprises the combinational circuit that implements the output and next-state functions, as well as the flip-flops that hold the state information during a clock cycle. A general model for the sequential circuits is shown in Figure 6.85.

The inputs to the combinational network are the primary inputs,  $w_1$  through  $w_n$ , and the present state variables,  $y_1$  through  $y_k$ . The outputs of the network are the primary outputs,  $z_1$  through  $z_m$ , and the next-state variables,  $Y_1$  through  $Y_k$ . The combinational network could be tested using the techniques presented in the previous sections if it were possible to apply tests on all of its inputs and observe the results on all of its outputs. Applying the test vectors to the primary inputs poses no difficulty. Also, it is easy to observe the values on the primary outputs. The question is how to apply the test vectors on the present-state inputs and how to observe the values on the next-state outputs.

A possible approach is to include a two-way multiplexer in the path of each present-state variable so that the input to the combinational network can be either the value of the state variable (obtained from the output of the corresponding flip-flop) or the value that is a part of the test vector. A significant drawback of this approach is that the second input of each multiplexer must be directly accessible through external pins, which requires many pins if there are many state variables. An attractive alternative is to provide a connection that allows shifting the test vector into the circuit one bit at a time, thus trading off pin requirements for the time it takes to perform a test. Several such schemes have been proposed, one of which is described below.

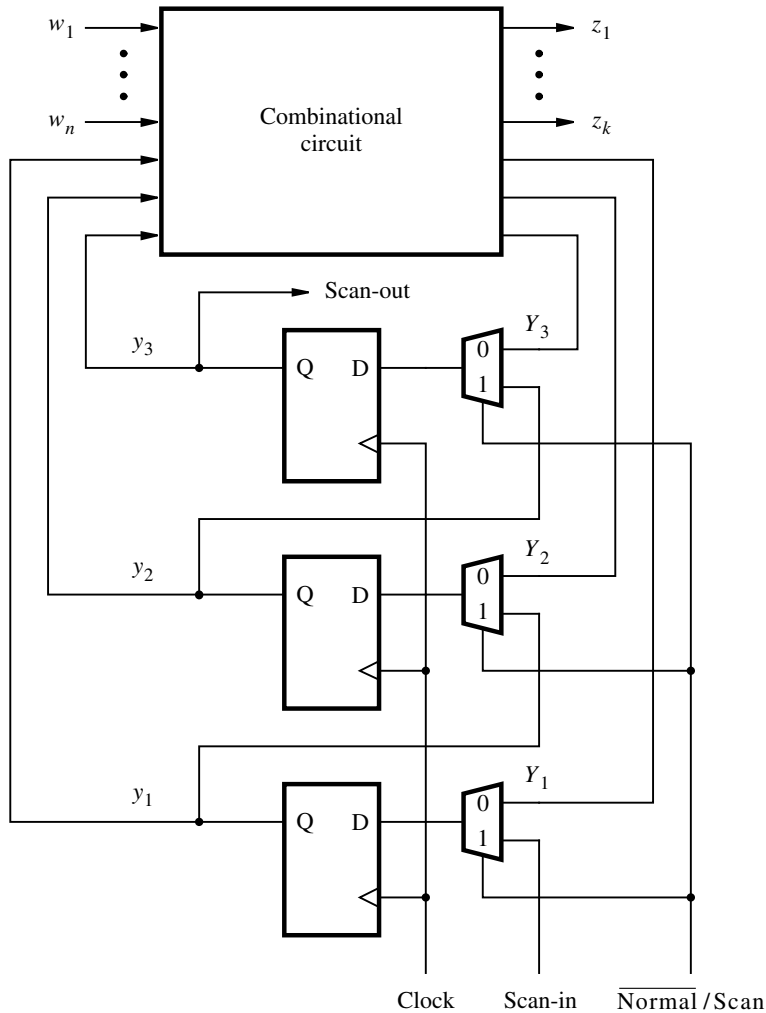
### Scan-Path Technique

A popular technique, called the *scan path*, uses multiplexers on flip-flop inputs to allow the flip-flops to be used either independently during normal operation of the sequential circuit, or as a part of a shift register for testing purposes. Figure 11.11 presents the general scan-path structure for a circuit with three flip-flops. A 2-to-1 multiplexer connects the  $D$  input of each flip-flop either to the corresponding next-state variable or to the serial path that connects all flip-flops into a shift register. The control signal  $\overline{Normal}/Scan$  selects the active input of the multiplexer. During the normal operation the flip-flop inputs are driven by the next-state variables,  $Y_1$ ,  $Y_2$ , and  $Y_3$ .

For testing purposes the shift-register connection is used to scan in the portion of each test vector that involves the present-state variables,  $y_1$ ,  $y_2$ , and  $y_3$ . This connection has  $Q_i$  connected to  $D_{i+1}$ . The input to the first flip-flop is the externally accessible pin *Scan-in*. The output comes from the last flip-flop, which is provided on the *Scan-out* pin.

The scan-path technique involves the following steps:

1. The operation of the flip-flops is tested by scanning into them a pattern of 0s and 1s, for example, 01011001, in consecutive clock cycles, and observing whether the same pattern is scanned out.
2. The combinational circuit is tested by applying test vectors on  $w_1w_2 \cdots w_ny_1y_2y_3$  and observing the values generated on  $z_1z_2 \cdots z_mY_1Y_2Y_3$ . This is done as follows:
  - The  $y_1y_2y_3$  portion of the test vector is scanned into the flip-flops during three clock cycles, using  $\overline{Normal}/Scan = 1$ .
  - The  $w_1w_2 \cdots w_n$  portion of the test vector is applied as usual and the normal operation of the sequential circuit is performed for one clock cycle, by setting  $\overline{Normal}/Scan = 0$ . The outputs  $z_1z_2 \cdots z_m$  are observed. The generated values of  $Y_1Y_2Y_3$  are loaded into the flip-flops at this time.
  - The select input is changed to  $\overline{Normal}/Scan = 1$ , and the contents of the flip-flops are scanned out during the next three clock cycles, which makes the



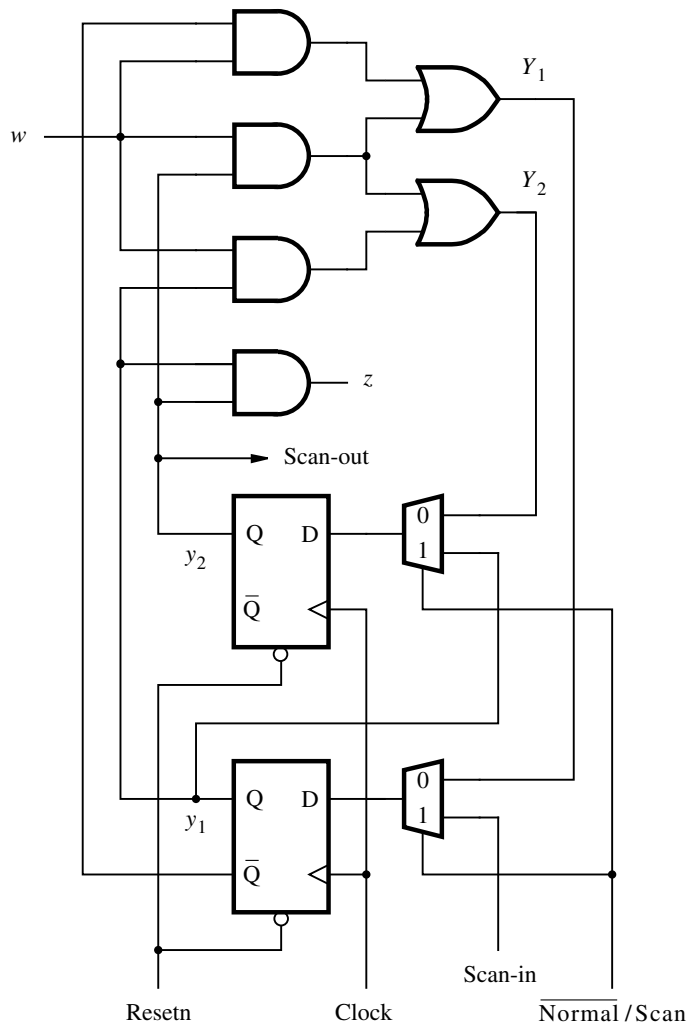
**Figure 11.11** Scan-path arrangement.

$Y_1Y_2Y_3$  portion of the test result observable externally. At the same time, the next test vector can be scanned in to reduce the total time needed to test the circuit.

The next example shows a specific circuit that is designed for scan-path testing.

Figure 6.75 shows a circuit that recognizes a specific input sequence, which was discussed in Section 6.9. The circuit can be made easily testable by modifying it for scan path as shown in Figure 11.12. The combinational part, consisting of four AND and two OR gates, is the same in both figures. **Example 11.3**

The flip-flops can be tested by scanning through them a sequence of 0s and 1s as explained above. The combinational circuit can be tested by applying test vectors on  $w$ ,



**Figure 11.12** Circuit for Example 11.3.

$y_1$ , and  $y_2$ . Let us use the random-testing approach, choosing arbitrarily four test vectors  $wy_1y_2 = 001, 110, 100,$  and  $111$ . To apply the first test vector, the pattern  $y_1y_2 = 01$  is scanned into the flip-flops during two clock cycles. Then for one clock cycle, the circuit is made to operate in the normal mode with  $w = 0$ . This essentially applies the vector  $wy_1y_2 = 001$  to the AND-OR circuit. The result of this test should be  $z = 0, Y_1 = 0,$  and  $Y_2 = 0$ . The value of  $z$  can be observed directly. The values of  $Y_1$  and  $Y_2$  are loaded into the respective flip-flops, and they are scanned out during the next two clock cycles. As these values are being scanned out, the next test pattern  $y_1y_2 = 10$  can be scanned in. Thus it takes five cycles to perform one test, but the last two cycles are overlapped with the second

test. The third and fourth tests are performed in the same way. The total time needed to perform all four tests is 14 clock cycles.

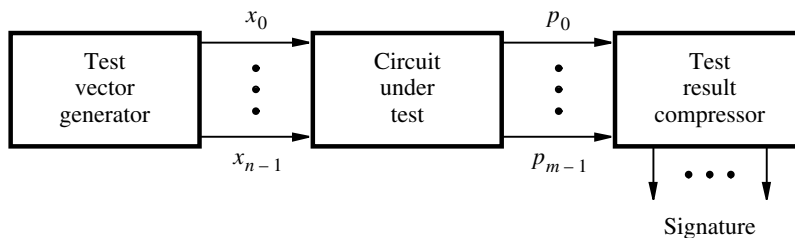
The preceding approach is based on testing a sequential circuit by testing its combinational part using the techniques developed in the previous sections. The scan-path facility makes it also possible to test the sequential circuit by making it go through all transitions specified in the state table. The circuit can be placed into a given state simply by scanning into the flip-flops the valuation of the state variables that denotes this state. The result of the transition can be checked by observing the primary outputs and by scanning out the valuation that presents the destination state. We leave it to the reader to develop the details of this approach (see Problem 11.16).

One limitation of the scan-path technique is that it does not work well if the asynchronous preset and reset features of the flip-flops are used during normal operation. We have already suggested that it is better to use synchronous preset and reset. If the designer wishes to use the asynchronous preset and reset capability, then a testable circuit can be designed using techniques such as the *level-sensitive scan design* [1, 9]. The reader can consult the references for a description of this technique.

## 11.7 BUILT-IN SELF-TEST

Until now we have assumed that testing of logic circuits is done by externally applying the test inputs and comparing the results with the expected behavior of the circuit. This requires connecting external equipment to the circuit under test. An interesting question is whether it is possible to incorporate the testing capability within the circuit itself so that no external equipment is needed. Such built-in capability would allow the circuit to be self-testable. This section presents a scheme that provides the *built-in self-test* (BIST) capability.

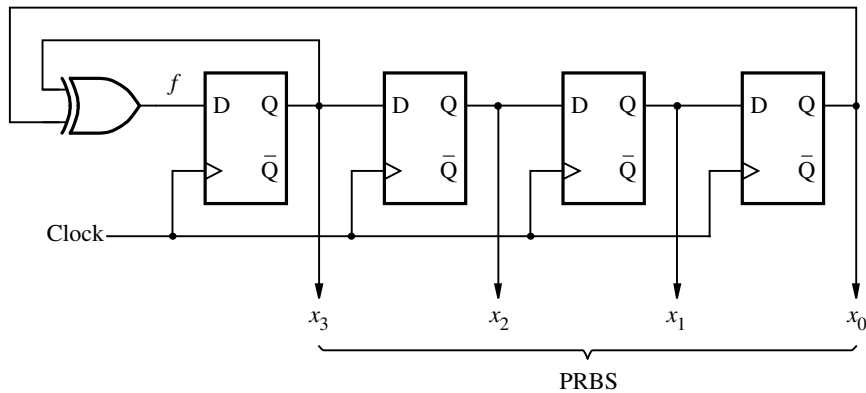
Figure 11.13 shows a possible BIST arrangement in which a test vector generator produces the test vectors that must be applied to the circuit under test. In Section 11.5 we explained that randomly chosen test vectors give good results, with the fault coverage depending on the number of tests performed. For each test vector applied to the circuit, it is necessary to determine the required response of the circuit. The response of a good circuit may be determined using the simulator tool of a CAD system. The expected responses to the applied tests must be stored on the chip so that a comparison can be made when the circuit is being tested.



**Figure 11.13** The testing arrangement.

A practical approach for generating the test vectors on-chip is to use *pseudorandom* tests, which have the same characteristics as random tests but are produced deterministically and can be repeated at will. The generator for pseudorandom tests is easily constructed using a feedback shift-register circuit. A small example of a possible generator is given in Figure 11.14. A four-bit shift register, with the signals from the first and fourth stages fed back through an XOR gate, generates 15 different patterns during successive clock cycles. If the shift register is set at the beginning to  $x_3x_2x_1x_0 = 1000$ , then the generated patterns are as shown in part (b) of the figure. Observe that the pattern 0000 cannot be used, because the circuit would be locked in this pattern indefinitely.

The circuit in Figure 11.14 is representative of a class of circuits known as *linear feedback shift registers* (LFSRs). Using feedback from the various stages of an  $n$ -bit shift register, connected to the first stage by means of XOR gates, it is possible to generate a sequence of  $2^n - 1$  patterns that have the characteristics of randomly generated numbers. Such circuits are used extensively in error-correcting codes. The theory of operation of these circuits is presented in a number of books [1–3, 10]. A table of the feedback connections for



(a) Circuit

$x_3$	1	1	1	1	0	1	0	1	1	0	0	1	0	0	0	1	...
$x_2$	0	1	1	1	1	0	1	0	1	1	0	0	1	0	0	0	...
$x_1$	0	0	1	1	1	1	0	1	0	1	1	0	0	1	0	0	...
$x_0$	0	0	0	1	1	1	1	0	1	0	1	1	0	0	1	0	...
$f$	1	1	1	0	1	0	1	1	0	0	1	0	0	0	1	1	...

(b) Generated sequence

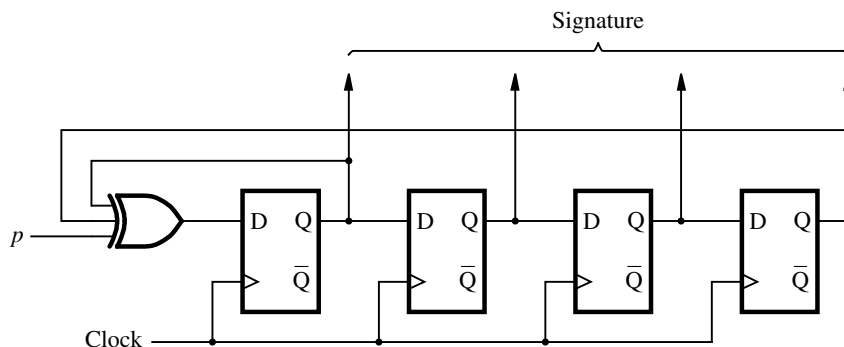
**Figure 11.14** Pseudorandom binary sequence generator (PRBSG).

various values of  $n$ , which generate a maximum-length pseudorandom sequence, is given in Peterson and Weldon [11].

The pseudorandom binary sequence generator (PRBSG) gives a simple method of generating tests. The required response of the circuit under test can be determined by using the simulator tool of the CAD system. The remaining question is how to check whether the circuit indeed produces the required response. It is not attractive to have to store a large number of responses to the tests on a chip that also includes the main circuit. A practical solution is to compress the results of the tests into a single pattern. This can be done using an LFSR circuit. Instead of just providing the feedback signals as the input, a compressor circuit includes the output signals produced by the circuit under test. Figure 11.15 shows a single-input compressor circuit (SIC), which uses the same feedback connections as the PRBSG of Figure 11.14. The input  $p$  is the output of a circuit under test. After applying a number of test vectors, the resulting values of  $p$  drive the SIC and, coupled with the LFSR functionality, produce a four-bit pattern. The pattern generated by the SIC is called a *signature* of the tested circuit for the given sequence of tests. The signature represents a single pattern that may be interpreted as a result of all the applied tests. It can be compared against a predetermined pattern to see if the tested circuit is working properly. Storing a single  $n$ -bit pattern for comparison purposes presents only a small overhead. The randomizing nature of the compressor circuits based on LFSRs provides a good coverage of patterns that may result from a faulty circuit [12].

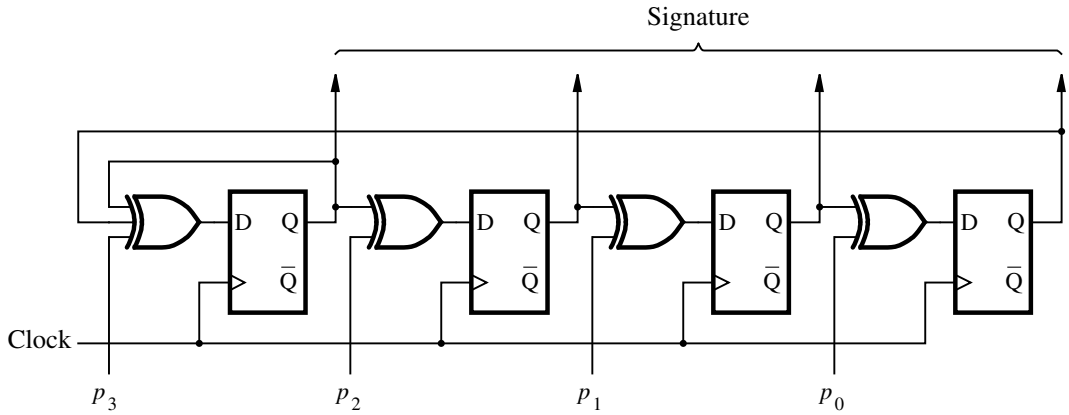
If the circuit under test has more than one output, then an LFSR with multiple inputs can be used. Figure 11.16 illustrates how four inputs,  $p_0$  through  $p_3$ , can be added to the basic circuit of Figure 11.14. Again the four-bit signature provides a good mechanism for distinguishing among different sequences of four-bit patterns that may appear on the inputs of this multiple-input compressor circuit (MIC).

A complete BIST scheme for a sequential circuit may be implemented as indicated in Figure 11.17. The scan-path approach is used to provide a testable circuit. The test patterns that would normally be applied on the primary inputs  $W = w_1w_2 \cdots w_n$  are generated internally as the patterns on  $X = x_1x_2 \cdots x_n$ . Multiplexers are needed to allow switching from  $W$  to  $X$ , as inputs to the combinational circuit. A pseudorandom binary sequence generator, PRBSG- $X$ , generates the test patterns for  $X$ . The portion of the tests applied

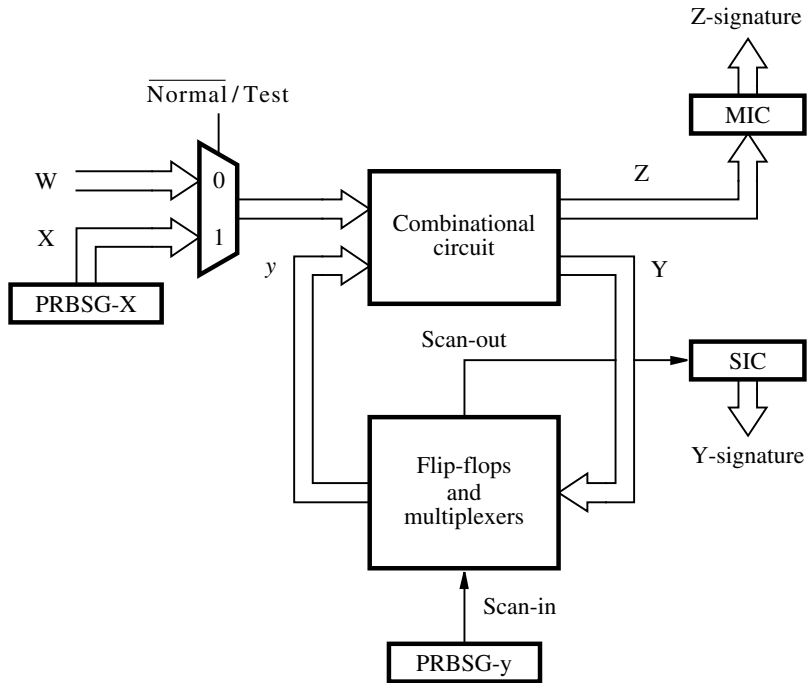


**Figure 11.15** Single-input compressor circuit (SIC).





**Figure 11.16** Multiple-input compressor circuit (MIC).



**Figure 11.17** BIST in a sequential circuit.

via the next-state signals,  $y$ , is generated by the second PRBS generator, PRBSG- $y$ . These patterns are scanned into the flip-flops as explained in Section 11.6.

The test outputs are compressed using the two compressor circuits. The patterns on the primary outputs,  $Z = z_1 z_2 \cdots z_m$ , are compressed using the MIC circuit, and those on the next-state wires  $Y = Y_1 Y_2 \cdots Y_k$ , by the SIC circuit. These circuits produce the  $Z$ -signature and  $Y$ -signature, respectively. The testing procedure is the same as given in Example 11.3 except that the comparison with the test result that a good circuit is supposed to give is done only once; at the end of the testing process the two signatures are compared with the stored patterns. Figure 11.17 does not show the circuitry needed to store these patterns and perform the comparison. Instead of storing the signature patterns of the required results as a part of the designed circuit, it is possible to shift out the contents of MIC and SIC shift registers onto two output pins and to perform the necessary comparison with the expected signatures externally. Note that using signature testing in this way reduces the testing time significantly, compared to the time it would take to test the circuit by scanning out the results of individual tests and comparing them with predetermined patterns.

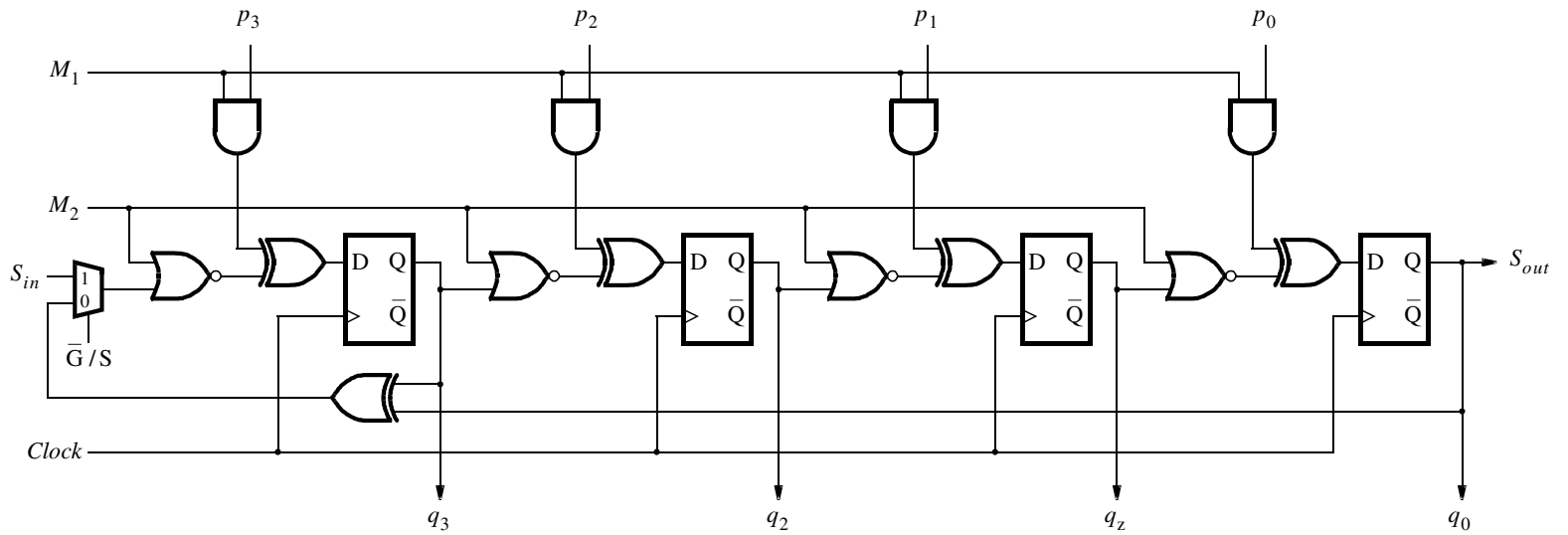
The effectiveness of the BIST approach depends on the length of the LFSR generator and compressor circuits. Longer shift registers give better results [13]. One reason for failing to detect that the circuit under test may be faulty is that the pseudorandomly generated tests do not have perfect coverage of all possible faults. Another reason is that a signature generated by compressing the outputs of a faulty circuit may coincidentally end up being the same as the signature of the good circuit. This can occur because the compression process results in a loss of some information, such that two distinct output patterns may be compressed into the same signature. This is known as the *aliasing* problem.

### 11.7.1 BUILT-IN LOGIC BLOCK OBSERVER

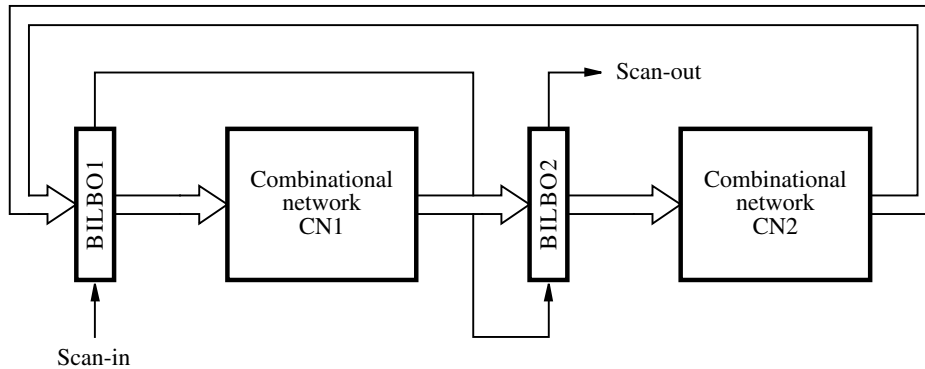
The essence of BIST is to have internal capability for generation of tests and for compression of the results. Instead of using separate circuits for these two functions, it is possible to design a single circuit that serves both purposes. Figure 11.18 shows the structure of a possible circuit, known as the *built-in logic block observer* (BILBO) [14]. This four-bit circuit has the same feedback connections as the circuit of Figure 11.14.

The BILBO circuit has four modes of operation, which are controlled by the mode bits,  $M_1$  and  $M_2$ . The modes are as follows:

- $M_1 M_2 = 11$  — Normal system mode in which all flip-flops are independently controlled by the signals on inputs  $p_0$  through  $p_3$ . In this mode each flip-flop may be used to implement a state variable of a finite state machine by using  $p_0$  to  $p_3$  as  $y_0$  to  $y_3$ .
- $M_1 M_2 = 00$  — Shift-register mode in which the flip-flops are connected into a shift register. This mode allows test vectors to be scanned in, and the results of applied tests to be scanned out, if the control input  $\overline{G}/S$  is equal to 1. If  $\overline{G}/S = 0$ , then the circuit acts as the PRBS generator.
- $M_1 M_2 = 10$  — Signature mode in which a series of patterns applied on inputs  $p_0$  through  $p_3$  are compressed into a signature available as a pattern on  $q_0$  through  $q_3$ .
- $M_1 M_2 = 01$  — Reset mode in which all flip-flops are reset to 0.



**Figure 11.18** A four-bit built-in logic block observer (BILBO).



**Figure 11.19** Using BILBO circuits for testing.

An efficient way of using BILBO circuits is presented in Figure 11.19. A combinational circuit can be tested by partitioning it into two (or more) parts. A BILBO circuit is used to provide inputs to one part and to accept outputs from the other part. The testing process involves a two-phase approach. First, BILBO1 is used as a PRBS generator that provides test patterns for combinational network 1 (CN1). During this time BILBO2 acts as a compressor and produces a signature for the test. The signature is shifted out by placing BILBO2 into the shift-register mode. Next, the roles of BILBO1 and BILBO2 are reversed, and the process is repeated to test CN2.

The detailed steps in the testing process are

1. Scan the initial test pattern into BILBO1 and reset all flip-flops in BILBO2.
2. Use BILBO1 as the PRBS generator for a given number of clock cycles and use BILBO2 to produce a signature.
3. Scan out the contents of BILBO2 and externally compare the signature; then scan into it the initial test pattern for testing CN2. Reset the flip-flops in BILBO1.
4. Use BILBO2 as the PRBS generator for a given number of clock cycles and use BILBO1 to produce a signature.
5. Scan out the signature in BILBO1 and externally compare it with the required pattern.

The BILBO circuits are used in this way for testing purposes. At other times the normal system mode is used.

### 11.7.2 SIGNATURE ANALYSIS

We have explained the use of signatures in the context of implementing an efficient built-in testing mechanism. The main idea of compressing a long sequence of test results into a single signature was originally developed as the basis for an instrument manufactured by Hewlett-Packard in the 1970s, known as the Signature Analyzer [15]. Thus the name *signature analysis* was coined to refer to the testing schemes that use signatures to represent the results of applied tests.

Signature analysis is particularly suitable for digital systems that naturally include an ability to generate the desired test patterns. Such is the case with computer systems in which various parts of the system can be stimulated by test patterns produced under software control.

### 11.7.3 BOUNDARY SCAN

The testing techniques discussed in the previous sections are equally applicable to circuits that are implemented on single chips or on printed circuit boards that contain a number of chips. A circuit can be tested only if it is possible to apply the tests to it and observe the outputs produced. This involves having access to the primary inputs and outputs.

When chips are soldered onto a printed circuit board, it often becomes impossible to attach test probes to pins. This hinders the testing process unless some indirect access to the pins is provided. The scan-path concept can be extended to the board level to deal with the problem. Suppose that each primary input or output pin on a chip is connected through a D flip-flop and that a provision is made for a test mode in which all flip-flops can be connected into a shift register. Then the test information can be scanned in and scanned out using the shift-register path, via two pins that serve as serial input and output. Connecting the serial output pin of one chip to the serial input pin of another chip results in the pins of all chips being connected into a board-wide shift register for testing purposes. This approach has become popular in practice and has been embodied into the IEEE Standard 1149.1 [16].

---

## 11.8 PRINTED CIRCUIT BOARDS

Design and testing techniques presented in this book can be applied to any logic circuit, whether the circuit is realized on a single chip or its implementation involves a number of chips placed on a printed circuit board (PCB). In this section we discuss some practical issues that arise when one or more circuits that form a larger digital system are implemented on a PCB.

A typical PCB contains multiple layers of wiring. When the board is manufactured, the wiring pattern on each layer is generated. The layers are separated by insulating material and pressed together in sandwichlike fashion to form the board. Connections between different wiring levels are made through holes that are provided for this purpose. Chips and other components are then soldered to the top and possibly to the bottom layers.

In preceding chapters we have discussed in considerable detail the CAD tools used for designing circuits that can be implemented on a single chip, such as an FPGA. For a multiple-chip implementation, we need a different set of CAD tools to design a PCB that incorporates the chips and connections needed to realize the complete digital system. Such tools are available from a number of companies, for example, Cadence Design Systems and Mentor Graphics. These tools can automatically determine where each chip should be placed on the PCB, but the designer can also specify the location of particular chips. This is called the *placement* process. Given a specific placement of chips and other components

(such as connectors and capacitors), the tools generate a layout for each layer of wiring traces that provide the required connections on the board. This process is referred to as *routing*. Again the designer can intervene and manually route some connections. However, since the number of connections can be in the tens of thousands, it is crucial to obtain a good automated solution.

In addition to the design issues discussed in the previous chapters, a large circuit implemented on a PCB is subject to some other constraints. Signals on the wiring traces may be affected by noise problems caused by crosstalk, spikes in the power supply voltage, and reflections from the end points of long traces.

### Crosstalk

Two closely spaced wires that run parallel to each other are capacitively coupled, and a pulse on one wire can induce a similar (but usually much smaller) pulse on the adjoining wire. This is referred to as *crosstalk*. Its existence is undesirable because it contributes to noise problems.

When drawing timing diagrams, we usually draw ideal waveforms with sharp edges, which have well-defined voltage levels for the logic values 0 and 1. In an actual circuit the corresponding signals may depart significantly from the desired behavior. As explained in Appendix B, noise in a circuit can affect voltage levels, which can be troublesome. For example, if at some point in time the noise diminishes the value of a signal that should be at logic 1 to a level where this signal is interpreted by the next gate as being logic 0, then a malfunction in the circuit is likely to occur. Since the noise effects tend to be random, they are often difficult to detect.

To minimize crosstalk, it is prudent to avoid having long wires running parallel in close proximity to each other. This may be difficult to achieve because of limited space on a PCB and the need to provide a large number of wires. Using additional layers (planes) of wiring helps in coping with crosstalk problems.

### Power Supply Noise

When a CMOS circuit changes its state, there is a momentary flow of current in the circuit, which is manifested as a current pulse on the power supply ( $V_{DD}$  and *Ground*) wires. Since a wiring trace on a PCB has a small “line inductance,” such a current pulse causes a voltage spike (short pulse) on these lines. The cumulative effect of such voltage spikes can cause a malfunction of the circuit.

The induced voltage spikes can be reduced significantly by connecting a small capacitor between the  $V_{DD}$  and *Ground* wires, in close proximity to the chip that causes the spikes to occur. Since these spikes have the characteristic of a very high frequency signal, the path through the capacitor is essentially a short circuit for them. Thus the voltage spikes “bypass” the power supply lines and do not affect other chips connected to the same lines. Such capacitors are called *bypass capacitors*. They do not affect the DC voltage on the power supply lines.

### Reflections and Terminations

Wiring traces on a PCB act as simple wires in circuits when the clock frequency is low. However, at higher clock frequencies it becomes necessary to worry about so-called

*transmission-line effects.* When a signal propagates along a long wire, it is attenuated due to the small resistance of the wire, it picks up crosstalk that manifests itself as noise, and it may be reflected when it reaches the end of the wire. The reflection causes a problem if its effect does not die down before the next active clock edge. The discussion of transmission-line effects is beyond the scope of this book. We will only mention that the reflection of signals can be prevented by placing a suitable “termination” component on the line. This termination can be as simple as a resistor whose resistance matches the apparent resistance of the line, known as the *characteristic impedance* of the line. Other forms of termination are also possible. For details of such schemes, the reader may consult other references [17–18].

### 11.8.1 TESTING OF PCBs

The manufactured PCB has to be tested thoroughly. Flaws in the manufacturing process may cause some connections to be broken and others to be shorted by a solder blob that touches two adjacent wires. There may be problems caused by design errors that were not discovered during the design process. Finally, some chips and other components on the PCB may be defective.

#### Power Up

The first step is to turn on the power supply. In the worst case this may cause some chip to be destroyed because of a fatal short-circuit condition (in an extreme case a chip package may actually blow apart). Assuming that this is not the case, it is essential to check if any of the chips is becoming inordinately hot. Overheating is a symptom of a serious problem that must be corrected.

It is also necessary to check that the power and ground connections are properly made on each chip and that the voltage level is as specified.

#### Reset

The next step is to reset all circuitry on the PCB to reach a predetermined starting point. This typically implies resetting the flip-flops, which is usually achieved by asserting a common reset line. It is important to verify that the starting state is correctly established.

#### Low-Level Functional Testing

Since practical circuits can be extremely complex, it is prudent to test the basic functionality first. A key test is to verify that the control signals are working correctly.

Using the divide-and-conquer approach, simple functions are tested first, followed by the more complex ones.

#### Full Functional Testing

Having verified the operation of smaller subcircuits, it is necessary to test the functionality of the entire system on the PCB. The number of errors often depends on the thoroughness of the simulation done during the design process. In general, it is difficult to simulate large digital systems fully, so some errors are likely to be found on the PCB. Typical errors are due to

- Manufacturing errors, such as wrong wiring traces, blown components, or incorrect power supply voltage.
- Incorrect specifications.
- Designer's misinterpretation of information on the data sheets that describe some chips.
- Incorrect information on the data sheets provided by the chip manufacturer.

As mentioned earlier, PCBs contain multiple layers of wiring. Each layer may have several thousands of wires in it. Finding and fixing errors can be a difficult and time-consuming task, especially if errors involve wires in internal (as opposed to the top or bottom) wiring layers.

### Timing

It is next necessary to verify the timing of the circuit. A good strategy is to start with a slow clock. If the circuit works properly, then the clock frequency is gradually increased until the required operating frequency is reached.

Timing problems arise because of propagation delays through various paths in a circuit. These delays are caused by the logic gates and the wiring that interconnects them. It is essential to ensure that all data inputs to flip-flops in the circuit are stable before the active edge of the clock signal arrives, as required by the setup time.

### Reliability

A digital system is expected to operate reliably for a long time. Its reliability may be affected by several factors, such as timing, noise, and crosstalk problems.

The timing of signals has to provide some safety margin to allow for small changes in propagation delays. If the timing is too tight, then it is likely that the circuit will operate correctly for some period of time, but will eventually fail because of a timing error. The timing of chips may change with temperature, so failures can occur if thermal constraints are not adhered to. Cooling is usually provided by means of fans.

## 11.8.2 INSTRUMENTATION

Testing of circuits implemented in PCBs requires some specialized instruments.

### Oscilloscope

The details of individual signals can be examined using an oscilloscope. This instrument displays the voltage waveform of a signal, showing the potential problems with respect to propagation delay and noise. The waveform displayed on an oscilloscope shows the actual voltage levels of the signal; it does not depict the simplified view of ideal waveforms that have perfectly square edges. If the user wants to see only the logic values of a signal (0 or 1), then a different type of instrument called a logic analyzer can be used.

### Logic Analyzer

While an oscilloscope allows simultaneous examination of a few signals, a logic analyzer allows examination of tens or even hundreds of signals at the same time. It takes inputs from a set of points in the circuit, by means of probes attached to these points, and



digitizes and displays the detected signals in the form of waveforms on a screen. A powerful feature of the logic analyzer is that it has internal storage capable of recording a sequence of changes in the signals over a substantial period of time. Then any segment of this information can be displayed as desired by the operator. Typically, it is possible to record a few milliseconds' worth of events, which involves many cycles of a normal digital clock.

Looking at the waveforms taken when the circuit under test is working properly is not helpful in the debugging process. It is essential to see the waveforms generated when a malfunction takes place. The logic analyzer can be "triggered" to record a window of events that occurred before and after the trigger event. The user must specify the trigger event. For example, suppose that a malfunction is suspected to be caused by two control signals,  $A$  and  $B$ , being asserted at the same time, even though the design specification requires that these signals be mutually exclusive. A useful trigger point can then be established as the time when the AND of  $A$  and  $B$  has the value 1. Finding suitable trigger events can be difficult, and the user must rely on intuition and experience.

To use a logic analyzer effectively, it must be possible to connect the probes to some useful (for testing purposes) points in the circuit. Thus it is important to provide such "test" points when a PCB is being designed.

---

## 11.9 CONCLUDING REMARKS

Manufactured products must be tested to ensure that they perform as expected. All of the techniques discussed in this chapter are relevant for this type of testing. The development of tests and the required responses is based on the assumption that the circuits are designed correctly. Thus it is the validity of the physical implementation that is being tested.

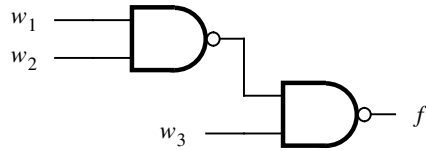
Another aspect of testing occurs during the design process. The designer has to ascertain that the designed circuit meets the specifications. From the testing point of view, this poses a significant problem because there exists no provably good circuit that can be used to generate the desired tests. CAD tools are helpful in deriving tests for a designed circuit, but they cannot determine whether the circuit is indeed what the designer intended to achieve in terms of its functionality. A design error usually results in a circuit that has somewhat different functionality than required by the specification.

Small circuits can be tested fully to verify their functionality. A combinational circuit can be tested to see if it performs according to its truth table. A sequential circuit can be tested by checking the transitions specified in the state table. This is much easier to do if the circuit is designed for testability, as explained in Section 11.6.1. Large circuits cannot be tested exhaustively, because a vast number of tests would have to be applied. In this case the designer's ingenuity is needed to determine a manageable set of tests that will hopefully demonstrate the correctness of the circuit.

---

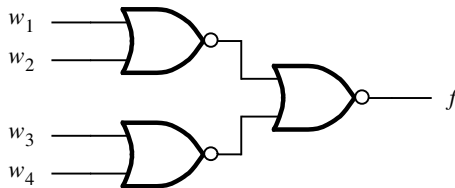
## PROBLEMS

- \*11.1** Derive a table similar to Figure 11.1*b* for the circuit in Figure P11.1 to show the coverage of the various stuck-at-0 and stuck-at-1 faults by the eight possible tests. Find a minimal test set for this circuit.



**Figure P11.1** Circuit for Problem 11.1.

**11.2** Repeat Problem 11.1 for the circuit in Figure P11.2.



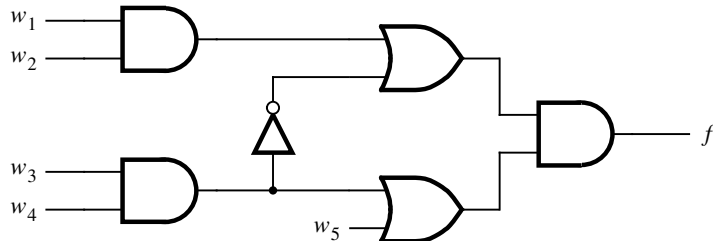
**Figure P11.2** Circuit for Problem 11.2.

**\*11.3** Devise a test to distinguish between two circuits that implement the following expressions

$$f = x_1x_2x_3 + x_2\bar{x}_3x_4 + \bar{x}_1\bar{x}_2x_4 + \bar{x}_1x_3\bar{x}_4$$

$$g = (\bar{x}_1 + x_2)(x_3 + x_4)$$

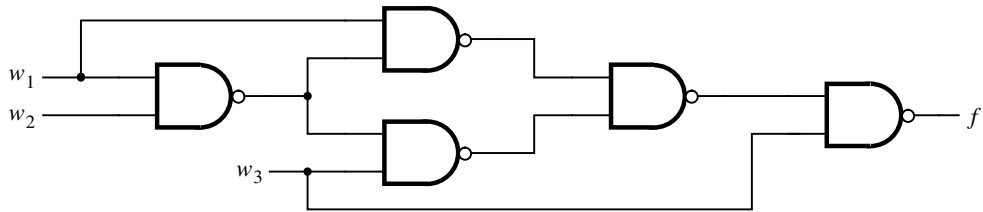
**11.4** Consider the circuit in Figure P11.3. Sensitize each path in this circuit to obtain a complete test set that comprises a minimum number of tests.



**Figure P11.3** Circuit for Problem 11.4.

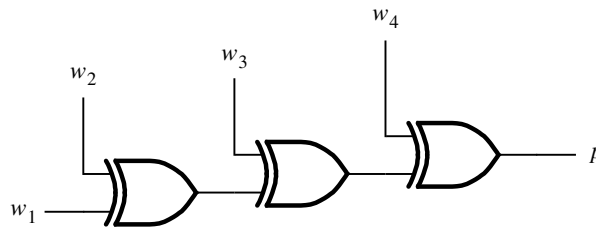
**\*11.5** For the circuit of Figure 11.4a, show the tests that can detect each of the faults:  $w_1/0$ ,  $w_4/1$ ,  $g/0$ , and  $c/1$ .

- 11.6** Suppose that the tests  $w_1w_2w_3w_4 = 0100, 1010, 0011, 1111,$  and  $0110$  are chosen randomly to test the circuit in Figure 11.3. What percentage of single faults are detected using these tests?
- 11.7** Repeat Problem 11.6 for the circuit in Figure 11.4a.
- 11.8** Repeat Problem 11.6 for the circuit in Figure 11.5.
- \*11.9** Consider the circuit in Figure P11.4. Are all single stuck-at-0 and stuck-at-1 faults in this circuit detectable? If not, explain why.



**Figure P11.4** Circuit for Problem 11.9.

- 11.10** Prove that in a circuit in which all gates have a fan-out of 1, any set of tests that detects all single faults on the input wires detects all single faults in the entire circuit.
- \*11.11** The circuit in Figure P11.5 determines the parity of a four-bit data unit. Derive a minimal test set that can detect all single stuck-at-0 and stuck-at-1 faults in this circuit. Would your test set work if the XOR gates are implemented using the circuit in Figure 8.9c? Can your result be extended to a general case that involves  $n$ -bit data units?



**Figure P11.5** Circuit for Problem 11.11.

- \*11.12** Derive a test set that can detect all single faults in the decoder circuit in Figure 4.14c.
- 11.13** List all single faults in the circuit in Figure 11.4a that can be detected using each of the tests  $w_1w_2w_3w_4 = 1100, 0010,$  and  $0110$ .

- 11.14** Sensitize each path in the combinational part of the circuit in Figure 11.12 to obtain a complete test set that comprises as few tests as possible. Show how your test set can be applied to test this circuit. How many clock cycles are needed to perform the necessary tests?
- 11.15** Derive an ASM chart that represents the flow of control needed to test the circuit in Figure 11.12.
- 11.16** The circuit in Figure 11.12 provides an easily testable implementation of the FSM in Figure 6.76. In Example 11.3 we showed how this circuit may be tested by testing the combinational part using randomly chosen tests. A different approach to testing may be to attempt to determine whether the circuit actually realizes the functionality specified in the state table in Figure 6.76*b*. This can be done by making the circuit go through all transitions given in the state table. For example, after applying the  $Reset_n = 0$  signal, the circuit begins in state *A*. It must be verified that the circuit is indeed forced into state *A* by scanning out the expected valuation  $y_2y_1 = 00$ . Next each transition must be checked. To verify the transition  $A \rightarrow A$  if  $w = 0$ , it is necessary to make the input  $w$  equal to 0 and allow the normal operation to take place for one clock cycle by making  $\overline{Normal}/Scan = 0$ . The value of the output  $z$  must be observed. This is followed by scanning out the values of  $y_2$  and  $y_1$  to see if  $y_2y_1 = 00$ . At the same time, the valuation for the next test should be scanned in. If this test involves verifying that  $B \rightarrow A$  if  $w = 0$ , then the valuation  $y_2y_1 = 01$  is scanned in. This process continues until all transitions have been verified.
- Indicate in the form of a table the values of the signals  $\overline{Normal}/Scan$ ,  $Scan-in$ ,  $Scan-out$ ,  $w$ , and  $z$ , as well as the transition tested, for each clock cycle necessary to perform the complete test for this circuit.
- 11.17** Write Verilog code that represents the circuit in Figure 11.12.
- 11.18** Derive an ASM chart that describes the control needed to test a digital system that uses the BILBO structure in Figures 11.18 and 11.19.

---

## REFERENCES

1. A. Miczo, *Digital Logic Testing and Simulation* (Wiley: New York, 1986).
2. P. K. Lala, *Practical Digital Logic Design and Testing* (Prentice-Hall: Englewood Cliffs, NJ, 1996).
3. F. H. Hill and G. R. Peterson, *Computer Aided Logical Design with Emphasis on VLSI*, 4th ed. (Wiley: New York, 1993).
4. Y. M. El Ziq, "Automatic Test Generation for Stuck-Open Faults in CMOS VLSI," Proc. 18th Design Automation Conf., 1981, pp. 347–54.
5. D. Baschiera and B. Courtois, "Testing CMOS: A Challenge," *VLSI Design*, October 1984, pp. 58–62.
6. P. S. Moritz and L. M. Thorsen, "CMOS Circuit Testability," *IEEE Journal of Solid State Circuits* SC-21 (April 1986), pp. 306–9.

7. J. P. Roth et al., “Programmed Algorithms to Compute Tests to Detect and Distinguish Between Failures in Logic Circuits,” *IEEE Transactions on Computers* EC-16, no. 5, (October 1967), pp. 567–80.
8. J. Abraham and V. K. Agarwal, “Test Generation for Digital Systems,” in D. K. Pradhan, *Fault-Tolerant Computing*, vol. 1, (Prentice-Hall: Englewood Cliffs, NJ, 1986).
9. T. W. Williams and K. P. Parker, “Design for Testability—a Survey,” *IEEE Transactions on Computers* C-31 (January 1982), pp. 2–15.
10. V. P. Nelson, H. T. Nagle, B. D. Carroll, and J. D. Irwin, *Digital Logic Circuit Analysis and Design* (Prentice-Hall: Englewood Cliffs, NJ, 1995).
11. W. W. Peterson and E. J. Weldon Jr., *Error-Correcting Codes*, 2nd ed. (MIT Press: Boston, MA, 1972).
12. J. E. Smith, “Measures of Effectiveness of Fault Signature Analysis,” *IEEE Transactions on Computers* C-29, no. 7 (June 1980), pp. 510–4.
13. R. David, “Testing by Feedback Shift Register,” *IEEE Transactions on Computers* C-29, no. 7 (July 1980), pp. 668–73.
14. B. Koenemann, J. Mucha, and G. Zwiehoff, “Built-In Logic Block Observation Techniques,” Proceedings 1977 Test Conference, IEEE Pub. 79CH1609-9C, October 1979, pp. 37–41.
15. A. Y. Chan, “Easy-to-Use Signature Analyzer Accurately Troubleshoots Complex Logic Circuits,” *Hewlett-Packard Journal*, May 1997, pp. 9–14.
16. *Test Access Port and Boundary-Scan Architecture*, IEEE Standard 1149.1, May 1990.
17. *High-Speed Board Designs*, Application Note 75, Altera Corporation, January 1998.
18. L. Y. Levesque, “High-Speed Interconnection Techniques,” Technical Report, Texas Instruments Inc., 1994.

# A

## VERILOG REFERENCE

This appendix describes the features of Verilog used in this book. It is meant to serve as a convenient reference for the reader, hence only brief descriptions are provided, along with examples. The reader is encouraged to first study the introduction to Verilog in Section 2.10.

This appendix is not meant to be a comprehensive Verilog manual. While we discuss almost all the features of Verilog that are useful in the synthesis of logic circuits, we do not discuss many of the features that are useful only for simulation of circuits. Although the omitted features are not needed for any of the examples used in this book, a reader who wishes to learn more about Verilog can refer to specialized texts [1–7].

### How to Write Verilog Code

The tendency for the novice is to write Verilog code that resembles a computer program, containing many variables and loops. It is difficult to determine what logic circuit the CAD tools will produce when synthesizing such code. The task of a synthesis tool is to analyze a piece of Verilog code and determine, according to the semantics of the language, what circuit can be used to implement the code. Consider a code fragment such as

```
if (s == 0)
    f = w0;
else
    f = w1;
```

We can understand the semantics by considering each statement in sequence, in the way that a simulation tool would. The code results in  $f$  being assigned the value of either  $w_0$  or  $w_1$ , depending on the value of  $s$ . A synthesis tool would usually implement this behavior using a multiplexer circuit.

In general, synthesis tools have to recognize certain structures in code, like the above multiplexer. From the practical point of view, this will work only if users write code that conforms to a commonly used style. The beginning Verilog user should therefore adopt the style of code recommended by experienced designers. This book contains more than 120 examples of Verilog code that represent a wide range of logic circuits. In all of these examples the code is easily related to the described logic circuit. The reader is encouraged to adopt the same style of code. A good approach is to “write Verilog code that obviously represents the intended circuit.”

Although Verilog is a fairly straightforward language to learn and use, the novice designer will tend to make some common errors in syntax and semantics. A list of typical errors is given in Section A.15, as well as a set of guidelines that expert Verilog coders recommend as good style for writing clear and effective code.

Once complete Verilog code is written for a particular design, it is useful to analyze the resulting circuit synthesized by the CAD tools. Much can be learned about Verilog, logic circuits, and logic synthesis through this process.

---

## A.1 DOCUMENTATION IN VERILOG CODE

Documentation can be included in Verilog code by writing a comment. A *short* comment begins with the double slash, //, and continues to the end of the line. A long comment can span multiple lines and is contained inside the delimiters /\* and \*/. Examples of comments are

```
// This is a short comment
/*This is a long Verilog comment
that spans two lines */
```

---

## A.2 WHITE SPACE

White space characters, such as SPACE and TAB, and blank lines are ignored by the Verilog compiler. Multiple statements can be written on a single line, such as

```
f = w0; if (s == 1) f = w1;
```

Although legal, this code is hard to read and uses poor style. Placing each statement on a separate line, and using indentation within blocks of code, such as an **if-else** statement, are good ways to increase the readability of code.

---

## A.3 SIGNALS IN VERILOG CODE

In Verilog, a signal in a circuit is represented as a *net* or a *variable* with a specific type. The term *net* is derived from the electrical jargon, where it refers to the interconnection of two or more points in a circuit. A net or variable declaration has the form

```
type [range] signal_name{, signal_name};
```

The square brackets indicate an optional field, and the curly brackets indicate that additional entries are permitted. We will use this syntax throughout the appendix. The *signal\_name* is an identifier, as defined in the next section. Without the *range* field the declared net or variable is scalar and represents a single-bit signal. The range is used to specify vectors that correspond to multibit signals, as explained in Section A.6.

---

## A.4 IDENTIFIER NAMES

*Identifiers* are the names of variables and other elements in Verilog code. The rules for specifying identifiers are simple: any letter or digit may be used, as well as the `_` underscore and `$` characters. There are two caveats: an identifier must not begin with a digit and it should not be a Verilog keyword. Examples of legal identifiers are `f`, `x1`, `x_y`, and `Byte`. Some examples of illegal names are `1x`, `+y`, `x*y`, and `258`. Verilog is case sensitive, hence `k` is not the same as `K`, and `BYTE` is not the same as `Byte`.

For special purposes Verilog allows a second form of identifier, called an *escaped* identifier. Such identifiers begin with the `(\)` backslash character, which can then be followed by any printable ASCII characters except white spaces. Examples of escaped identifiers are `\123`, `\sig-name`, and `\a+b`. Escaped identifiers should not be used in normal Verilog code; they are intended for use in code produced automatically when other languages are translated into Verilog.

---

## A.5 SIGNAL VALUES, NUMBERS, AND PARAMETERS

Verilog supports scalar nets and variables that represent individual signals, and vectors that correspond to multiple signals. Each individual signal can have four possible values:

0 = logic value 0  
1 = logic value 1  
z = tri-state (high impedance)  
x = unknown value

The `z` and `x` values can also be denoted by the capital letters `Z` and `X`. The value `x` can be used to denote a don't-care condition in Verilog code; the symbol `?` can also be used for this purpose. The value of a vector variable is specified by giving a constant of the form

`[size][radix]constant`

where *size* is the number of bits in the constant, and *radix* is the number base. Supported radices are

d = decimal  
b = binary  
h = hexadecimal  
o = octal

When no radix is specified, the default is decimal. If *size* specifies more bits than are needed to represent the given constant, then in most cases the constant is padded with zeros. The exceptions to this rule are when the first character of the constant is either `x` or `z`, in which case the padding is done using that value. Some examples of constants include



0	the number 0
10	the decimal number 10
'b10	the binary number $10 = (2)_{10}$
'h10	the hex number $10 = (16)_{10}$
4'b100	the binary number $0100 = (4)_{10}$
4'bx	an unknown 4-bit value xxxx
8'b1000_0011	_ can be inserted for readability
8'hfx	equivalent to 8'b1111_xxxx

### A.5.1 PARAMETERS

A *parameter* associates an identifier name with a constant. Let the Verilog code include the following declarations:

```
parameter n = 4;
parameter S0 = 2'b00, S1 = 2'b01, S2 = 2'b10, S3 = 2'b11;
```

Then the identifier *n* can be used in place of the number 4, the name *S0* can be substituted for the value 2'b00, and so on. An important use of parameters is in the specification of parameterized subcircuits, which is described in Section A.12.

## A.6 NET AND VARIABLE TYPES

Verilog defines a number of types of nets and variables. These types are defined by the language itself, and user-defined types are not permitted.

### A.6.1 NETS

A *net* represents a node in a circuit. To distinguish between different types of circuit nodes there exist several types of nets, called *wire*, *tri*, and a number of others that are not needed for synthesis, and are not used in this book.

The **wire** type is employed to connect an output of one logic element in a circuit to an input of another logic element. The following are examples of scalar **wire** declarations.

```
wire x;
wire Cin, AddSub;
```

A vector **wire** represents multiple nodes, such as

```
wire [3:0] S;
wire [1:2] Array;
```

The square brackets are the syntax for specifying a vector's range. The range  $[R_a:R_b]$  can be either increasing or decreasing, as shown. In either case,  $R_a$  is the index of the most-significant (leftmost) bit in the vector, and  $R_b$  is the index of the least-significant (rightmost) bit. The indices  $R_a$  and  $R_b$  can be either positive or negative integers.

The net  $S$  can be used as a four-bit quantity, or each bit can be referred to individually as  $S[3]$ ,  $S[2]$ ,  $S[1]$ , and  $S[0]$ . If a value is assigned to  $S$  such as  $S = 4'b0011$ , the result is  $S[3] = 0$ ,  $S[2] = 0$ ,  $S[1] = 1$ , and  $S[0] = 1$ . The assignment of a single bit in a vector to another net, such as  $f = S[0]$ , is called a *bit-select* operation. A range of values from one vector can be assigned to another vector, which is called a *part-select* operation. If we assign  $Array = S[2:1]$ , this produces  $Array[1] = S[2]$  and  $Array[2] = S[1]$ . The index used in a bit-select operation can involve a variable, such as  $S[i]$ , while the indices used with a part-select operation have to be constant expressions, such as  $S[2:1]$ .

The *tri* type denotes circuit nodes that are connected in a tri-state fashion. Examples of **tri** nets are

```
tri z;
tri [7:0] DataOut;
```

These nets are treated in the same manner as the **wire** type, and they are used only to enhance the readability of code that includes tri-state gates.

## A.6.2 VARIABLES

Nets provide a means for interconnecting logic elements, but they do not allow a circuit to be described in terms of its *behavior*. For this purpose, Verilog provides *variables*. A variable can be assigned a value in one Verilog statement, and it retains this value until it is overwritten in a subsequent assignment statement. There are two types of variables, *reg* and *integer*. Consider the code fragment

```
Count = 0;
for (k = 0; k < 4; k = k + 1)
  if (S[k])
    Count = Count + 1;
```

The **for** and **if** statements are described in Section A.11. This code stores in *Count* the number of bits in  $S$  that have the value 1. Since it models the behavior of a circuit, *Count* has to be declared as a variable, rather than a simple **wire**. If *Count* has three bits, then the declaration is

```
reg [2:0] Count;
```

The keyword **reg** does *not* denote a storage element, or register. In Verilog code, **reg** variables can be used to model either combinational or sequential parts of a circuit. In our example, the variable  $k$  serves as a loop index. Such variables are declared as type **integer** in the statement

```
integer k;
```

**Integer** variables are useful for describing the behavior of a module, but they do not directly correspond to nodes in a circuit. In this book we use **integers** as loop control variables.

### A.6.3 MEMORIES

A memory is a two-dimensional array of bits. Verilog allows such a structure to be declared as a variable (**reg** or **integer**) that is an array of vectors, such as

```
reg [7:0] R [3:0];
```

This statement defines  $R$  as four eight-bit variables named  $R[3]$ ,  $R[2]$ ,  $R[1]$ , and  $R[0]$ .

Two-level indexing, such as  $R[3][7]$ , can be used. There is also support for higher dimension arrays. A three-dimensional array may be declared as

```
reg [7:0] R [3:0] [1:0];
```

This statement defines a three-dimensional array of bits.

---

## A.7 OPERATORS

Verilog has a large number of operators, as shown in Table A.1. The first column gives the category, the second column indicates how each operator is used, and the third column specifies the number of bits produced in the result. To aid in describing the table, we use

**Table A.1** Verilog operators and bit lengths.

Category	Examples	Bit Length
Bitwise	$\sim A$ , $+A$ , $-A$ $A \& B$ , $A   B$ , $A \sim^{\wedge} B$ , $A \sim^{\sim} B$	$L(A)$ $\text{MAX}(L(A), L(B))$
Logical	$!A$ , $A \&\&B$ , $A    B$	1 bit
Reduction	$\&A$ , $\sim \&A$ , $ A$ , $\sim  A$ , $\wedge^{\sim} A$ , $\sim^{\wedge} A$	1 bit
Relational	$A == B$ , $A != B$ , $A > B$ , $A < B$ $A >= B$ , $A <= B$ $A === B$ , $A! == B$	1 bit
Arithmetic	$A + B$ , $A - B$ , $A * B$ , $A / B$ $A \% B$	$\text{MAX}(L(A), L(B))$
Shift	$A << B$ , $A >> B$	$L(A)$
Concatenate	$\{A, \dots, B\}$	$L(A) + \dots + L(B)$
Replication	$\{B\{A\}\}$	$B * L(A)$
Condition	$A ? B : C$	$\text{MAX}(L(B), L(C))$

operands named  $A$ ,  $B$ , and  $C$ , which may be either vectors or scalars. The syntax  $\sim A$  means that the  $\sim$  operator is applied to the variable  $A$ , and the syntax  $L(A)$  means that the result has the same number of bits (length) as in  $A$ .

Most of the operators in Table A.1 are also listed in Table 4.2 and described in detail in Section 4.6.5. The bitwise operators are 1's complement ( $\sim$ ), unary plus ( $+$ ), 2's complement ( $-$ ), AND ( $\&$ ), OR ( $|$ ), XOR ( $\wedge$ ), and XNOR ( $\sim\wedge$  or  $\wedge\sim$ ). The bitwise operators produce multibit results, usually with the same number of bits as the operands. For example, if  $A = a_1a_0$ ,  $B = b_1b_0$ , and  $C = c_1c_0$ , then the operation  $C = A \& B$  results in  $c_1 = a_1 \& b_1$  and  $c_0 = a_0 \& b_0$ . Note that unary plus just denotes a positive number; it has no effect.

The logical operators generate a one-bit result. They are NOT ( $!$ ), AND ( $\&\&$ ), and OR ( $||$ ). If the operand of  $!$  is a vector, then  $!A$  produces 1 (True) only if all bits in  $A$  are 0; otherwise  $!A$  gives 0 (False). The result of  $A \&\& B$  is 1 if both  $A$  and  $B$  are nonzero, while  $A || B$  produces 1 unless both  $A$  and  $B$  are zero. If an operand is ambiguous (contains an  $x$ ), the result is  $x$ . The logical operators are normally used in conditional statements such as **if**  $((A < B) \&\& (B < C))$ .

The reduction operators use the same symbols as some of the bitwise operators, but have only one operand. The reduction  $\&A$  produces the AND of all of the bits in  $A$ , while  $\sim\&A$  produces the NAND. Similarly, the other reduction operators produce single-bit Boolean results.

The relational operators give a 1 (True) or 0 (False) result based on the specified comparison of  $A$  and  $B$ . For synthesis of logic circuits  $A$  and  $B$  are usually **wire** or **reg** types, and Verilog treats them as unsigned numbers. If **integer** variables are supported, they may be treated as signed numbers. The result of a relational operation is ambiguous ( $x$ ) if either operand has any unspecified digits. An exception is for the  $==$  and  $!=$  operators, which check for equality and inequality, respectively. These operators compare equality of  $x$  and  $z$  digits in addition to 0 and 1 digits.

Verilog includes the normal arithmetic operators  $+$ ,  $-$ ,  $*$ , and  $/$ . The modulus operator ( $\%$ ) is also included, but it is usually not supported for synthesis, except for use in calculating a compile-time constant. The operation  $A \% B$  returns the remainder of the integer division  $A \div B$ . Arithmetic operands of type **wire** and **reg** are treated as unsigned numbers. If the two operands are of unequal size, zero digits are padded on the left, and bits are truncated if the result has fewer digits than the largest operand. **Integer** variables are considered as 2's complement numbers.

The  $\ll$  and  $\gg$  operators perform logical shifts to the left and right, respectively. For a left shift, zeros are shifted into the LSB, while for a right shift, zeros are shifted into the MSB. For synthesis, the operand  $B$  should be a constant.

The  $\{, \}$  concatenate operator allows vectors to be combined to produce a larger resulting vector. Any operand that is a constant must have a specified size, as in  $4'b0011$ . Operands can be repeated multiple times by using the replication operator. The operation  $\{3\{A\}\}$ ,  $\{2\{B\}\}$  is equivalent to  $\{A, A, A, B, B\}$ . The replication operator can be used to form an  $n$ -bit vector of digits: the operation  $\{n\{1'b1\}\}$  represents  $n$  ones.

The last item in Table A.1 is the  $? : C$  conditional operator. The result of  $A ? B : C$  is equal to  $B$  if operand  $A$  evaluates to 1 (True); otherwise, the result is  $C$ . In the case that  $A$  evaluates to  $x$ , the conditional operator generates a bitwise output; each bit in the result is 1 if the corresponding bits in both  $B$  and  $C$  are 1, 0 if these bits are 0, and  $x$  otherwise.

The precedence of Verilog operators follows similar rules as in arithmetic and Boolean algebra. For example, \* has precedence over +, and & has precedence over |. A complete listing of the precedence rules is given in Table 4.3.

---

## A.8 VERILOG MODULE

A circuit or subcircuit described with Verilog code is called a *module*. Figure A.1 gives the general structure of a **module** declaration. The module has a name, *module\_name*, which can be any valid identifier, followed by a list of ports. The term *port* is adopted from the electrical jargon, in which it refers to an input or output connection in an electrical circuit. The ports can be of type **input**, **output**, or **inout** (bidirectional), and can be either scalar or vector. Examples of ports are

```

input Cin, x, y;
input [3:0] X, Y;
output Cout, s;
inout [7:0] Bus;
output [3:0] S;

wire Cout, s;
wire [7:0] Bus;
reg [3:0] S;

```

As shown, output and inout ports have an associated type. We assume that *Cout*, *s*, and *Bus* are nets in this example, while *S* is a variable. The **wire** declarations can actually be

```

module module_name [(port_name{, port_name})];
    [parameter declarations]
    [input declarations]
    [output declarations]
    [inout declarations]
    [wire or tri declarations]
    [reg or integer declarations]
    [function or task declarations]
    [assign continuous assignments]
    [initial block]
    [always blocks]
    [gate instantiations]
    [module instantiations]
endmodule

```

**Figure A.1** The general form of a module.

omitted, because Verilog assumes that signals are nets by default. However, any port used as a variable must be explicitly declared as such.

Instead of using a separate statement to declare that the variable  $S$  is of **reg** type, we can include this declaration in the statement that specifies  $S$  to be an **output**, as follows:

```
output reg [3:0] S;
```

This is the style we use throughout the book.

As Figure A.1 indicates, a module may contain any number of net (**wire** or **tri**) or variable (**reg** or **integer**) declarations, and a variety of other types of statements that are described later in this appendix.

Figure A.2 gives the Verilog code for a module *fulladd*, which represents a full-adder circuit. (The full-adder is discussed in Section 3.2.) The input port *Cin* is the carry-in, and the bits to be added are the input ports  $x$  and  $y$ . The output ports are the sum,  $s$ , and the carry-out, *Cout*. The functionality of the full-adder is described with logic equations preceded by the keyword **assign**, which is discussed in Section A.10.

There is usually more than one way to describe a given circuit using Verilog. Figure A.3 gives another version of the *fulladd* module, in which the functionality is specified by using the concatenate and addition operators. The statement

```
assign {Cout, s} = x + y + Cin;
```

assigns the least-significant bit in the result  $x + y + Cin$  to the output  $s$  and the most-significant bit to *Cout*. The circuits generated from the modules in Figures A.2 and A.3 are the same.

```

module fulladd (Cin, x, y, s, Cout);
  input Cin, x, y;
  output s, Cout;

  assign s = x ^ y ^ Cin;
  assign Cout = (x & y) | (Cin & x) | (Cin & y);

endmodule

```

**Figure A.2** A full-adder module.

```

module fulladd (Cin, x, y, s, Cout);
  input Cin, x, y;
  output s, Cout;

  assign {Cout, s} = x + y + Cin;

endmodule

```

**Figure A.3** A full-adder module defined using the + operator.

## A.9 GATE INSTANTIATIONS

Verilog includes predefined modules that implement basic logic gates. These gates allow a circuit's structure to be described using *gate instantiation* statements of the form

```
gate_name [instance_name] (output_port, input_port{, input_port});
```

The *gate\_name* specifies the desired type of gate, and the *instance\_name* is any unique identifier. Each gate may have a different number of ports, with the output port listed first, followed by a variable number of input ports. An example of using gates to realize a full-adder is given in Figure A.4. The code defines four **wire** nets, *z1* to *z4*, that connect the gates together, and each gate has a specified instance name. Figure A.5 shows a simpler version, in which instance names are not included and the declarations of *z1* to *z4* are omitted. Since the nets are not explicitly declared, they are implicitly assumed to be of type **wire**.

The logic gates supported in Verilog are summarized in Table A.2. The second column describes the function of each gate, and the rightmost column gives an example of instantiating the gate. Verilog allows gates with any number of inputs to be specified, but some CAD systems set practical limits. The *notif* and *bufif* gates represent tri-state buffers (drivers). The gate *notif0* is an inverting tri-state buffer with active-low enable, and *notif1* provides the same functionality with an active-high enable. The *bufif0* and *bufif1* gates are tri-state buffers that do not invert the output.

For simulation purposes, it is possible to set a parameter of the gate that represents its propagation delay. As an example, the following statement instantiates a three-input AND gate with a delay of five time units (the units of time are determined by the simulator being used):

```
and #(5) And3 (z, x1, x2, x3);
```

This type of delay parameter has no meaning when using Verilog for synthesis of logic circuits.

```
// Structural specification of a full-adder
module fulladd (Cin, x, y, s, Cout);
  input Cin, x, y;
  output s, Cout;
  wire z1, z2, z3, z4;

  and And1 (z1, x, y);
  and And2 (z2, x, Cin);
  and And3 (z3, y, Cin);
  or Or1 (Cout, z1, z2, z3);
  xor Xor1 (z4, x, y);
  xor Xor2 (s, z4, Cin);

endmodule
```

**Figure A.4** A full-adder described using gate instantiation.

```
// Structural specification of a full-adder
module fulladd (Cin, x, y, s, Cout);
  input Cin, x, y;
  output s, Cout;

  and (z1, x, y);
  and (z2, x, Cin);
  and (z3, y, Cin);
  or (Cout, z1, z2, z3);
  xor (z4, x, y);
  xor (s, z4, Cin);

endmodule
```

**Figure A.5** A simplified version of Figure A.4.

**Table A.2** Verilog gates.

Name	Description	Usage
and	$f = (a \cdot b \cdot \dots)$	<b>and</b> ( $f, a, b, \dots$ )
nand	$f = \overline{(a \cdot b \cdot \dots)}$	<b>nand</b> ( $f, a, b, \dots$ )
or	$f = (a + b + \dots)$	<b>or</b> ( $f, a, b, \dots$ )
nor	$f = \overline{(a + b + \dots)}$	<b>nor</b> ( $f, a, b, \dots$ )
xor	$f = (a \oplus b \oplus \dots)$	<b>xor</b> ( $f, a, b, \dots$ )
xnor	$f = (a \odot b \odot \dots)$	<b>xnor</b> ( $f, a, b, \dots$ )
not	$f = \bar{a}$	<b>not</b> ( $f, a$ )
buf	$f = a$	<b>buf</b> ( $f, a$ )
notif0	$f = (!e ? \bar{a} : 'bz)$	<b>notif0</b> ( $f, a, e$ )
notif1	$f = (e ? \bar{a} : 'bz)$	<b>notif1</b> ( $f, a, e$ )
bufif0	$f = (!e ? a : 'bz)$	<b>bufif0</b> ( $f, a, e$ )
bufif1	$f = (e ? a : 'bz)$	<b>bufif1</b> ( $f, a, e$ )



## A.10 CONCURRENT STATEMENTS

In any hardware description language, including Verilog, the concept of a *concurrent statement* means that the code may include a number of such statements, and each represents a part of the circuit. We use the word *concurrent* because the statements are considered in parallel and the ordering of statements in the code does not matter. Gate instantiations are one type of concurrent statements. This section introduces another type of concurrent statement, called the *continuous assignment*.

### A.10.1 CONTINUOUS ASSIGNMENTS

While gate instantiations allow the description of a circuit's structure, continuous assignments permit the description of a circuit's function. The general form of this statement is

```
assign net_assignment{, net_assignment};
```

The *net\_assignment* can be any expression involving the operators listed in Table A.1. Examples of continuous assignments are

```
assign Cout = (x & y) | (x & Cin) | (y & Cin);
assign s = x ^ y ^ z;
```

Although they are not needed in terms of operator precedence, the parentheses in the expression for *Cout* are included for clarity. Multiple assignments can be specified in one **assign** statement, using commas to separate the assignments, as in

```
assign Cout = (x & y) | (x & Cin) | (y & Cin),
s = x ^ y ^ z;
```

An example of a multibit assignment is

```
wire [1:3] A, B, C;
      ⋮
assign C = A & B;
```

This results in  $c_1 = a_1b_1$ ,  $c_2 = a_2b_2$ , and  $c_3 = a_3b_3$ .

The arithmetic assignment

```
wire [3:0] X, Y, S;
      ⋮
assign S = X + Y;
```

represents a four-bit adder without carry-in and carry-out. If we declare a carry-in and carry-out,

```
wire carryin, carryout;
```

then the statement

```

module adder_sign (X, Y, S, S2s);
  input [3:0] X, Y;
  output [7:0] S, S2s;

  assign S = X + Y,
          S2s = {{4{X[3]}}, X} + {{4{Y[3]}}, Y};

endmodule

```

**Figure A.6** An example of arithmetic assignments and sign extension.

```

assign {carryout, S} = X + Y + carryin;

```

represents the four-bit adder with carry-in and carry-out. We mentioned in Section A.7 that Verilog treats the **wire** type as an unsigned number. Since a five-bit result is needed in {carryout, S}, each operand is padded with a zero. When using Verilog for synthesis, it is up to the compiler to determine, or *infer*, that a four-bit adder with carry-out is needed and to recognize the carry-in.

A complete example of arithmetic assignments is given in Figure A.6. There are two four-bit inputs,  $X$  and  $Y$ , and two eight-bit outputs,  $S$  and  $S2s$ . To produce the eight-bit sum  $S = X + Y$  the Verilog compiler automatically pads  $X$  and  $Y$  with four zeros. The assignment to  $S2s$  shows how a signed (2's complement) result can be generated. Recall from Section 3.3 that the leftmost bit in a 2's complement number is the sign bit. The assignment to  $S2s$  uses the concatenate and replication operators to pad  $X$  and  $Y$  with four copies of their most-significant bit, thereby performing sign extensions.

As an example, assume that  $X = 0011$  and  $Y = 1101$ . The unsigned result is  $S = 0011 + 1101 = 00010000$ , or  $S = 3 + 13 = 16$ . The signed result is  $S2s = 0011 + 1101 = 00000000$ , or  $S2s = 3 + (-3) = 0$ .

## A.10.2 USING PARAMETERS

Figure A.6 specifies an adder for four-bit numbers. We can make this code more general by introducing a parameter that sets the number of bits in the adder. Figure A.7 gives the code for an  $n$ -bit adder module, *addern*. The number of bits to be added is defined with the **parameter** keyword, introduced in Section A.5. The value of  $n$  defines the bit widths of  $X$ ,  $Y$ ,  $S$ , and  $S2s$ .

It is possible to combine a continuous assignment with a **wire** declaration. For example, the sum,  $s$ , and carry-out,  $c$ , of a half-adder could be defined as

```

wire s = x ^ y,
      c = x & y;

```

Verilog allows parameters, such as delays, to be associated with continuous assignments. These parameters have no meaning for synthesis, but we mention them for completeness. Consider the statement

```

module addern (X, Y, S, S2s);
  parameter n = 4;
  input [n-1:0] X, Y;
  output [2*n-1:0] S, S2s;

  assign S = X + Y,
          S2s = {{n{X[n-1]}}, X} + {{n{Y[n-1]}}, Y};

endmodule

```

**Figure A.7** Using a parameter in an  $n$ -bit adder.

```

wire #8 s = x ^ y,
      #5 c = x & y;

```

These assignments specify that the operation  $x \wedge y$  has an associated propagation delay of eight time units, and  $x \& y$  has a delay of five units. Such delays, which are useful only for simulation purposes, can also be associated with **wires**, as in

```

wire #2 c;
assign #5 c = x & y;

```

This code specifies that two time units of delay are incurred on the **wire**  $c$  in addition to the five time units for the AND gate that produces  $x \& y$ .

---

## A.11 PROCEDURAL STATEMENTS

In addition to the concurrent statements described in the previous section, Verilog also provides *procedural statements* (also called *sequential statements*). Whereas concurrent statements are executed in parallel, procedural statements are evaluated in the order in which they appear in the code. Verilog syntax requires that procedural statements be contained inside an **always** block.

### A.11.1 ALWAYS AND INITIAL BLOCKS

An **always** block is a construct that contains one or more procedural statements. It has the form

```

always @(sensitivity_list)
[begin]
    [procedural assignment statements]
    [if-else statements]
    [case statements]
    [while, repeat, and for loops]
    [task and function calls]
[end]

```

Verilog includes several types of procedural statements. These statements permit the description of a circuit in terms of its *behavior* in a much more powerful way than is possible with continuous assignments or gate instantiations.

When multiple statements are included in an **always** block, the **begin** and **end** keywords are needed; otherwise, these keywords can be omitted. The **begin** and **end** keywords are also used with other Verilog constructs. We refer to the statements delimited by **begin** and **end** as a *begin-end block*.

The *sensitivity\_list* is a list of signals that directly affect the output results generated by the **always** block. A simple example of an **always** block is

```

always @(x, y)
begin
    s = x ^ y;
    c = x & y;
end

```

Since the output variables *s* and *c* depend on *x* and *y*, these signals are included in the sensitivity list, separated by a comma or by the keyword **or**. We use the comma in this book, but it should be noted that in the original version of Verilog it was necessary to use the keyword **or**. When specifying a combinational circuit by using an **always** block, it is possible to write simply

```

always @*

```

which indicates that all input signals used in the **always** block are included in the sensitivity list. In the examples in this book we explicitly show the signals in the sensitivity list to make it easier to understand the Verilog code.

The semantics of the **always** block are as follows: if the value of a signal in the sensitivity list changes, then the statements inside the **always** block are evaluated in the order presented.

For simulation purposes, Verilog also provides the *initial* construct. The **initial** and **always** constructs have the same form, but the statements inside the **initial** construct are executed only once, at the start of a simulation. **Initial** constructs are not meaningful for synthesis, hence we do not discuss them further.

A Verilog module may include several **always** blocks, each representing a part of the circuit being modeled. While the statements inside each **always** block are evaluated in order, there is no meaningful order among the different **always** blocks. In this sense, each entire **always** block can be considered as a concurrent statement, because a Verilog compiler evaluates all **always** blocks concurrently.

### Procedural Assignment Statements

Any signal assigned a value inside an **always** block has to be a variable of type **reg** or **integer**. A value is assigned to a variable with a *procedural assignment statement*. There are two kinds of assignments: *blocking* assignments, denoted by the = symbol, and *non-blocking* assignments, denoted by the <= symbol. The term *blocking* means that the assignment statement completes and updates its left-hand side before the subsequent statement is evaluated. This concept is best explained in the context of simulation. Consider the blocking assignments

$$\begin{aligned} S &= X + Y; \\ p &= S[0]; \end{aligned}$$

At simulation time  $t_i$  the statements are evaluated, in order. The first statement sets  $S$  using the current values of  $X$  and  $Y$ , and then the second statement sets  $p$  according to this new value of  $S$ . Verilog also provides *non-blocking* assignments, specified as

$$\begin{aligned} S &<= X + Y; \\ p &<= S[0]; \end{aligned}$$

In this case, at simulation time  $t_i$  the statements are still evaluated in order, but they both use the values of variables that exist at the start of the simulation time  $t_i$ . The first statement determines a new value for  $S$  based on the current values of  $X$  and  $Y$ , but  $S$  is not actually changed to this value until all statements in the associated **always** block have been evaluated. Therefore, the value of  $p$  at time  $t_i$  is based on the value of  $S$  at time  $t_{i-1}$ . We can summarize the difference between blocking and non-blocking assignments as follows. For blocking assignments, the values of variables seen at time  $t_i$  by each statement are the new values set in  $t_i$  by any preceding statements in the **always** block. For non-blocking assignments, the values of variables seen at time  $t_i$  are the values set in time  $t_{i-1}$ .

Although we introduced the concepts of blocking and non-blocking assignments in the context of simulation, the semantics are the same for synthesis. For combinational circuits, only blocking assignments should be used, as we will explain in Section A.11.7. We give a number of examples of combinational circuits in the following sections and also introduce the **if-else**, **case**, and loop statements. Section A.14 focuses on sequential circuits and explains that they should be designed with non-blocking assignments.

## A.11.2 THE IF-ELSE STATEMENT

The general form of the **if-else** statement is given in Figure A.8. If *expression1* is True, then the first statement is evaluated. When multiple statements are involved, they have to be included inside a **begin-end** block.

The **else if** and **else** clauses are optional. Verilog syntax specifies that when **else if** or **else** are included, they are paired with the most recent unfinished **if** or **else if**.

```

if (expression1)
begin
    statement;
end
else if (expression2)
begin
    statement;
end
else
begin
    statement;
end

```

**Figure A.8** The form of the **if-else** statement.

An example of an **if-else** statement used for combinational logic is

```

always @(w0, w1, s)
    if (s == 0)
        f = w0;
    else
        f = w1;

```

which defines a 2-to-1 multiplexer with data inputs  $w_0$  and  $w_1$ , select input  $s$ , and output  $f$ .

### A.11.3 STATEMENT ORDERING

Another way of describing the 2-to-1 multiplexer with an **if-else** statement is presented in Figure A.9. Instead of using an **else** clause, this code first makes the default assignment  $f = w_0$  and then changes this assignment to  $f = w_1$  if  $s$  has the value 1. The Verilog semantics specify that a signal assigned multiple values in an **always** construct retains the last assignment. This example highlights the importance of the ordering of statements in an **always** block. If the statements are reversed, as in

```

always @(w0, w1, s)
begin
    if (s == 1)
        f = w1;
    f = w0;
end

```

then the **if** statement would be evaluated first and the assignment  $f = w_0$  would be performed last. Hence, the code would always result in  $f$  being set to the value of  $w_0$ .

```

module mux2to1 (w0, w1, s, f);
  input w0, w1, s;
  output reg f;

  always @(w0, w1, s)
  begin
    f = w0;
    if (s == 1)
      f = w1;
  end

endmodule

```

**Figure A.9** Code for a 2-to-1 multiplexer.

### Implied Memory

Consider the **always** block

```

always @( w0, w1, s )
begin
  if (s == 1)
    f = w1;
end

```

This is the same as the code in Figure A.9, except that the default assignment  $f = w_0$ ; has been removed. Since the code does not specify a value for the variable  $f$  when  $s$  is 0, the Verilog semantics specify that  $f$  must retain its current value. A synthesized circuit has to implement the functionality

$$f = s \cdot w_1 + \bar{s} \cdot f$$

Hence, when  $s = 0$ , the value of  $w_1$  is “remembered” by a latch at the output  $f$ . This effect is called *implied memory*. We will show shortly that implied memory is the key concept used to describe sequential circuits.

#### A.11.4 THE CASE STATEMENT

The form of a **case** statement is illustrated in Figure A.10. The bits in *expression*, called the *controlling expression*, are checked for a match with each *alternative*. The first successful match causes the associated statements to be evaluated. Each digit in each alternative is compared for an exact match of the four values 0, 1, x, and z. A special case is the **default** clause, which takes effect if no other alternative matches. When using Verilog for simulation, an alternative can be a general expression, but for synthesis these items are

```

case (expression)
  alternative1: begin
    statement;
  end
  alternative2: begin
    statement;
  end
  [default: begin
    statement;
  end]
endcase

```

**Figure A.10** The general form of the **case** statement.

restricted to a single constant, such as `1'b0:`, or a list of constants separated by commas, such as `1, 2, 3:`.

An example of a **case** statement is

```

always @(w0, w1, s)
  case (s)
    1'b0: f = w0;
    1'b1: f = w1;
  endcase

```

This code represents the same 2-to-1 multiplexer described in Section A.11.2 using the **if-else** statement. When using Verilog for simulation, it is necessary to give alternatives for all possible valuations of the controlling expression. A default has to be included for any valuations not explicitly covered by the listed alternatives. In this example, *s* can have the four values 0, 1, *x*, or *z*; hence, we could include a default to handle the cases  $s = x$  and  $s = z$ . We have not included the default clause here because we are concerned only with synthesis, and the synthesis tools require only the bit values 0 and 1 to be considered.

Figure A.11 demonstrates the use of a **case** statement to specify truth tables. This code represents the same full-adder that is described in Figures A.2 and A.3. The controlling expression in the **case** statement is the concatenated bits  $\{Cin, x, y\}$ , and the alternatives correspond to the rows of the truth table in Figure 3.3a.

The **case** statement is also important for representing some types of sequential circuits, such as finite state machines, which are discussed in Section A.14.

### A.11.5 CASEZ AND CASEX STATEMENTS

In the **case** statement, the values *x* or *z* in an alternative are checked for an exact match with the same values in the controlling expression. The **casez** statement adds more flexibility, by treating a *z* digit in an alternative as a don't-care condition. The **casex** statement treats



```

// Full adder
module fulladd (Cin, x, y, s, Cout);
  input Cin, x, y;
  output reg s, Cout;

  always @(Cin, x, y)
  begin
    case ( {Cin, x, y} )
      3'b000: {Cout, s} = 'b00;
      3'b001: {Cout, s} = 'b01;
      3'b010: {Cout, s} = 'b01;
      3'b011: {Cout, s} = 'b10;
      3'b100: {Cout, s} = 'b01;
      3'b101: {Cout, s} = 'b10;
      3'b110: {Cout, s} = 'b10;
      3'b111: {Cout, s} = 'b11;
    endcase
  end

endmodule

```

**Figure A.11** Using a **case** statement to specify a truth table.

both  $x$  and  $z$  as don't cares. The alternatives do not have to be mutually exclusive. If they are not, then the first matching item has priority. Figure A.12 shows how **casex** can be used to describe a priority encoder with the 4-bit input  $W$  and the outputs  $Y$  and  $f$ . The priority encoder is defined in Figure 4.20 (the output  $z$  in Figure 4.20 is named  $f$  in the Verilog code in Figure A.12). The first alternative,  $1xxx$ , specifies that if  $w_3$  has the value 1, then the other inputs are treated as don't cares, hence the output is set to  $Y = 3$ . Similarly, the other alternatives describe the desired priority scheme.

### A.11.6 LOOP STATEMENTS

Verilog includes four types of loop statements: **for**, **while**, **repeat**, and **forever**. Synthesis tools typically support the **for** loop, which has the general form

```

for (initial_index; terminal_index; increment)
begin
  statement;
end

```

This syntax is very similar to the **for** loop in the C programming language. The *initial\_index* is evaluated once, before the first loop iteration, and typically performs the initialization of the **integer** loop control variable, such as  $k = 0$ . In each loop iteration, the **begin-end**

```

module priority (W, Y, f);
  input [3:0] W;
  output reg [1:0] Y;
  output f;

  assign f = (W != 0);
  always @(W)
  begin
    case (W)
      'b1xxx: Y = 3;
      'b01xx: Y = 2;
      'b001x: Y = 1;
      default: Y = 0;
    endcase
  end

endmodule

```

**Figure A.12** A priority encoder described using a **case** statement.

block is performed, and then the *increment* statement is evaluated. A typical increment statement is  $k = k + 1$ . Finally, the *terminal\_index* condition is checked, and if it is True (1), then another loop iteration is done. For synthesis, the *terminal\_index* condition has to compare the loop index to a constant value, such as  $k < 8$ .

An example of using a **for** loop to describe an  $n$ -bit ripple-carry adder is presented in Figure A.13. The effect of the loop is to repeat its **begin-end** block for the specified values of  $k$ . In this example, each loop iteration,  $k$ , defines a full-adder with the inputs  $x_k$ ,  $y_k$ , and  $c_k$ , and the outputs  $s_k$  and  $c_{k+1}$ . It is possible to define the **integer**  $k$  (parameters can also be defined in this way) inside the **always** block if the **begin-end** block has a label. For example,

```

always @(X, Y, carryin)
begin: fulladders
  integer k;
  C[0] = carryin;
  for (k = 0; k <= n-1; k = k+1)
  begin
    S[k] = X[k] ^ Y[k] ^ C[k];
    C[k+1] = (X[k] & Y[k]) | (C[k] & X[k]) | (C[k] & Y[k]);
  end
  carryout = C[n];
end

```

```

module ripple (carryin, X, Y, S, carryout);
  parameter n = 4;
  input carryin;
  input [n-1:0] X, Y;
  output reg [n-1:0] S;
  output reg carryout;
  reg [n:0] C;
  integer k;

  always @(X, Y, carryin)
  begin
    C[0] = carryin;
    for (k = 0; k <= n-1; k = k+1)
    begin
      S[k] = X[k] ^ Y[k] ^ C[k];
      C[k+1] = (X[k] & Y[k]) | (C[k] & X[k]) | (C[k] & Y[k]);
    end
    carryout = C[n];
  end

endmodule

```

**Figure A.13** An  $n$ -bit ripple-carry adder using a **for** loop.

A second **for**-loop example is given in Figure A.14. This code produces a count of the number of bits in the  $n$ -bit input  $X$  that have the value 1. Unrolling the loop, the first two iterations give

$$\begin{aligned} \text{Count} &= \text{Count} + X[0]; \\ \text{Count} &= \text{Count} + X[1]; \end{aligned}$$

The first statement produces the value  $\text{Count} = 0 + X[0] = X[0]$ . The second assignment then gives  $\text{Count} = X[0] + X[1]$ , and so on for the other loop iterations. At the end of the loop, we have

$$\text{Count} = X[0] + X[1] + \cdots + X[n-1]$$

A synthesis tool generates a circuit that has a cascade of adders to implement this expression. For example, for  $n = 3$  a possible circuit that employs two-bit adders is shown in Figure A.15.

Figure A.16 shows the general forms of the **while** and **repeat** loops. The **while** loop has the same structure as the corresponding statement in the C language, and the **repeat** loop simply specifies a number of times to repeat its **begin-end** block. The **forever** loop, not shown in the figure, loops endlessly.

```

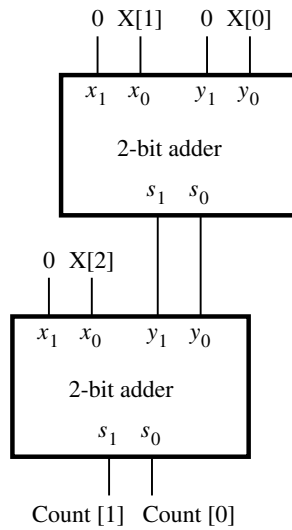
module bit_count (X, Count);
  parameter n = 4;
  parameter logn = 2;
  input [n-1:0] X;
  output reg [logn:0] Count;
  integer k;

  always @(X)
  begin
    Count = 0;
    for (k = 0; k < n; k = k+1)
      Count = Count + X[k];
  end

endmodule

```

**Figure A.14** A bit-counting example.



**Figure A.15** A circuit that implements the code in Figure A.14.

```

while (condition)
begin
    statement;
end

:

repeat (constant_value)
begin
    statement;
end

```

**Figure A.16** The general forms of the **while** and **repeat** statements.

### A.11.7 BLOCKING VERSUS NON-BLOCKING ASSIGNMENTS FOR COMBINATIONAL CIRCUITS

All our previous examples of combinational circuits used blocking assignments, which is a good way to design such circuits. A natural question is whether combinational circuits can be described using non-blocking assignments. The answer is that this would work in many cases, but if subsequent assignments depend on the results of preceding assignments, non-blocking assignments can produce nonsensical combinational circuits. As an example, consider changing the **for** loop in Figure A.14 to use non-blocking assignments, as indicated in Figure A.17. For simplicity assume that  $n = 3$ , so that the unrolled loop is

```

Count <= Count + X[0];
Count <= Count + X[1];
Count <= Count + X[2];

```

Since non-blocking assignments are involved, each subsequent assignment statement sees the starting value of  $Count = 0$  rather than a new  $Count$  value produced by the previous statements. The **for** loop thus degenerates to

```

Count <= 0 + X[0];
Count <= 0 + X[1];
Count <= 0 + X[2];

```

When there are multiple assignments to the same variable in an **always** block, Verilog semantics specify that the variable retains its last assignment. Therefore, the code produces the wrong result  $Count = X[2]$ .

```

always @(X)
begin
    Count = 0;
    for (k = 0; k < n; k = k+1)
        Count <= Count + X[k];
end

```

**Figure A.17** Using non-blocking assignments for a combinational circuit.

---

## A.12 USING SUBCIRCUITS

A Verilog module can be included as a subcircuit in another module. For this to work, both modules must be defined in the same file or else the Verilog compiler must be told where each module is located (the mechanism for doing this varies from one compiler to the next). The general form of a *module instantiation* statement is similar to a gate instantiation statement

```

module_name [#(parameter overrides)] instance_name (
    .port_name ( [expression] ) { , .port_name ( [expression] ) } );

```

The *instance\_name* can be any legal Verilog identifier and the port connections specify how the module is connected to the rest of the circuit. The same module can be instantiated multiple times in a given design provided that each instance name is unique. The #(parameter overrides) can be used to set the values of parameters defined inside the *module\_name* module. We discuss this feature in the next section. Each *port\_name* is the name of a port in the subcircuit, and each *expression* specifies a connection to that port. The syntax *.port\_name* is provided so that the order of signals listed in the instantiation statement does not have to be the same as the order of the ports given in the **module** statement of the subcircuit. In Verilog jargon, this is called *named* port connections. If the port connections are given in the same order as in the subcircuit, then *.port\_name* is not needed. This format is called *ordered* port connections.

An example is presented in Figure A.18. It gives the code for a four-bit ripple-carry adder built using four instances of the *fulladd* subcircuit in Figure A.2. The inputs to the adder are *carryin* and two four-bit numbers *X* and *Y*. The output is the four-bit sum, *S*, and *carryout*. A three-bit signal, *C*, represents the carries from stages 0, 1, and 2. This signal is declared as a **wire** vector with three bits.

The *adder4* module instantiates four copies of the full-adder subcircuit. In the first three instantiation statements, we use ordered port connections because the signals are listed in the same order as given in the declaration of the *fulladd* module in Figure A.2. The last instantiation statement gives an example of named port connections. The port connections used in the instantiation statements specify how the *fulladd* instances are interconnected by nets to create the adder module.

Figure A.19 gives an example of a hierarchical Verilog file containing two modules. The bottom module, *seg7*, specifies the BCD-to-7-segment code converter shown in Figure 2.63.

```

module adder4 (carryin, X, Y, S, carryout);
    input carryin;
    input [3:0] X, Y;
    output [3:0] S;
    output carryout;
    wire [3:1] C;

    fulladd stage0 (carryin, X[0], Y[0], S[0], C[1]);
    fulladd stage1 (C[1], X[1], Y[1], S[1], C[2]);
    fulladd stage2 (C[2], X[2], Y[2], S[2], C[3]);
    fulladd stage3 (.Cout(carryout), .s(S[3]), .y(Y[3]), .x(X[3]), .Cin(C[3]));

endmodule

```

**Figure A.18** An example of module instantiation.

It has the four-bit *bcd* input, which represents a binary-coded-decimal digit, and the seven-bit *leds* output, which is intended to drive the seven segments *a* to *g* on a digit-oriented display. Three copies of the seven-segment decoder are instantiated in the top module, *group*. It has a 12-bit input, *Digits*, and a 21-bit output, *Lights*, that are connected to the three instantiated subcircuits.

### A.12.1 SUBCIRCUIT PARAMETERS

When a subcircuit includes parameters, their default values can be changed in an instantiation statement. Figure A.20 gives a module with two eight-bit inputs, *X* and *Y*, and a four-bit output, *C*. The module determines the number of bits in *X* and *Y* that are identical. The code first uses the bitwise XNOR operation to generate a signal *T* that has 1s in the bit positions where *X* and *Y* have identical values. Then it instantiates the subcircuit specified in Figure A.14 to count the number of 1s in *T*. The syntax  `#(8,3)` overrides the default values of the subcircuit parameters in the order given in the code. Since Figure A.14 first defines the parameter *n*, followed by *logn*, then  `#(8,3)` sets *n* = 8 and *logn* = 3. If only one parameter is specified, such as  `#(8)`, it overrides the first parameter given in the subcircuit. The parameters can also be referred to by name, as in  `#(n(8), .logn(3))`.

An alternative syntax for overriding parameter values is shown in Figure A.21. Here, the subcircuit parameters are specified by the separate statement

```
defparam cbits.n = 8, cbits.logn = 3;
```

This statement is not a part of the instantiation statement; hence, it can appear anywhere in the code. The intended subcircuit is identified uniquely by its instance name, *cbits*. If the  `defparam` statement is in a separate module from the corresponding instantiation statement, the subcircuit module name should be specified in addition to the instance name. An example is

```
defparam bit_count.cbits.n = 8, bit_count.cbits.logn = 3;
```

```

module group (Digits, Lights);
  input [11:0] Digits;
  output [1:21] Lights;

  seg7 digit0 (Digits[3:0], Lights[1:7]);
  seg7 digit1 (Digits[7:4], Lights[8:14]);
  seg7 digit2 (Digits[11:8], Lights[15:21]);

endmodule

```

```

module seg7(bcd, leds);
  input [3:0] bcd;
  output reg [1:7] leds;

  always @(bcd)
    case (bcd) //abcdefg
      0: leds = 7'b1111110;
      1: leds = 7'b0110000;
      2: leds = 7'b1101101;
      3: leds = 7'b1111001;
      4: leds = 7'b0110011;
      5: leds = 7'b1011011;
      6: leds = 7'b1011111;
      7: leds = 7'b1110000;
      8: leds = 7'b1111111;
      9: leds = 7'b1111011;
      default: leds = 7'bx;
    endcase

endmodule

```

**Figure A.19** An example of a hierarchical design file.

```

module common (X, Y, C);
  input [7:0] X, Y;
  output [3:0] C;
  wire [7:0] T;

  // Make T[i] = 1 if X[i] == Y[i]
  assign T = X ~^ Y;

  bit_count #(8,3) cbits (T, C);

endmodule

```

**Figure A.20** Overriding module parameters using #.



```

module common (X, Y, C);
  input [7:0] X, Y;
  output [3:0] C;
  wire [7:0] T;

  // Make T[i] = 1 if X[i] == Y[i]
  assign T = X ~^ Y;

  bit_count cbits (T, C);
  defparam cbits.n = 8, cbits.logn = 3;

endmodule

```

**Figure A.21** Overriding module parameters using the **defparam** statement.

### A.12.2 THE GENERATE CAPABILITY

Figure A.18 instantiates four copies of the *fulladd* subcircuit to form a four-bit ripple-carry adder. A natural extension of this code is to add a parameter that sets the number of bits needed and then use a loop to instantiate the required subcircuits. This can be achieved with the **generate** construct.

The **generate** construct has the simplified form

```

generate
  [for loops]
  [if-else statements]
  [case statements]
  [instantiation statements]
endgenerate

```

This construct enhances the flexibility of Verilog modules, because it allows instantiation statements to be included inside **for** loops and **if-else** statements. If a **for** loop is included in the **generate** block, the loop index variable has to be declared of type **genvar**. A **genvar** variable is similar to an **integer** variable, but it can have only positive values and it can be used only inside **generate** blocks.

Figure A.22 shows the *ripple\_g* module, which instantiates *n* *fulladd* modules. Each instance generated in the **for** loop will have a unique instance name produced by the compiler based on the **for** loop label. The generated names are *addbit[0].stage*, ..., *addbit[n - 1].stage*. This code produces the same result as the code in Figure A.13.

The **generate** construct can include concurrent statements and procedural statements, but its main advantage is in the instantiation of gates and modules inside **for** loops and **if-else** statements.

```

module ripple_g (carryin, X, Y, S, carryout);
  parameter n = 4;
  input carryin;
  input [n-1:0] X, Y;
  output [n-1:0] S;
  output carryout;
  wire [n:0] C;

  genvar i;
  assign C[0] = carryin;
  assign carryout = C[n];

  generate
    for (i = 0; i <= n-1; i = i+1)
      begin:addbit
        fulladd stage (C[i], X[i], Y[i], S[i], C[i+1]);
      end
    endgenerate

endmodule

```

**Figure A.22** An  $n$ -bit ripple-carry adder using the **generate** statement.

---

## A.13 FUNCTIONS AND TASKS

Figure 4.4 shows how a 16-to-1 multiplexer module can be created by instantiating five 4-to-1 multiplexers. Another way of modeling this circuit is to use a Verilog *function* which has the general form

```

function [range | integer] function_name;
  [input declarations]
  [parameter, reg, integer declarations]
  begin
    statement;
  end
endfunction

```

The purpose of a **function** is to allow the code to be written in a modular fashion without defining separate modules. A **function** is defined within a module, and it is called either in a continuous assignment statement or in a procedural assignment statement inside that module. A **function** can have more than one input, but it does not have an output, because the **function** name itself serves as the output variable. Figure A.23 shows how the

```

module mux_f (W, S16, f);
  input [0:15] W;
  input [3:0] S16;
  output reg f;
  reg [0:3] M;

  function mux4to1;
    input [0:3] W;
    input [1:0] S;

    if (S == 0) mux4to1 = W[0];
    else if (S == 1) mux4to1 = W[1];
    else if (S == 2) mux4to1 = W[2];
    else if (S == 3) mux4to1 = W[3];
  endfunction

  always @(W, S16)
  begin
    M[0] = mux4to1(W[0:3], S16[1:0]);
    M[1] = mux4to1(W[4:7], S16[1:0]);
    M[2] = mux4to1(W[8:11], S16[1:0]);
    M[3] = mux4to1(W[12:15], S16[1:0]);
    f = mux4to1(M[0:3], S16[3:2]);
  end

endmodule

```

**Figure A.23** An example of a function.

16-to-1 multiplexer module can be written using a function. To see how this code works, consider the assignment

```
f = mux4to1(M[0:3], S16[3:2]);
```

The effect of the **function** call is to have the Verilog compiler replace the assignment statement with the **function** body. The in-line equivalent of the above **function** call is

```

if (S16[3:2] == 0) f = M[0];
else if (S16[3:2] == 1) f = M[1];
else if (S16[3:2] == 2) f = M[2];
else if (S16[3:2] == 3) f = M[3];

```

Similarly, each **function** call is inserted in-line, with the substitution of appropriate bits from *S16*, *W*, and *M*.

A second example of a **function** is shown in Figure A.24. The *group\_f* module is equivalent to the *group* module in Figure A.19. Where the *group* module instantiates three copies of the *seg7* subcircuit, *group\_f* achieves the same effect by using a **function**. Since it returns a seven-bit value, the **function** is defined with the syntax

```
function [1:7] leds;
```

Consider again the 16-to-1 multiplexer example in Figure A.23. Another method of writing this code appears in Figure A.25. This code uses a Verilog *task*, which is similar to a **function**. While a **function** returns a value, a **task** does not; it has input and output variables, like a module. A **task** can be called only from inside an **always** (or **initial**) block.

```
module group_f (Digits, Lights);
  input [11:0] Digits;
  output reg [1:21] Lights;

  function [1:7] leds;
    input [3:0] bcd;
    begin
      case (bcd) // abcdefg
        0: leds = 7'b1111110;
        1: leds = 7'b0110000;
        2: leds = 7'b1101101;
        3: leds = 7'b1111001;
        4: leds = 7'b0110011;
        5: leds = 7'b1011011;
        6: leds = 7'b1011111;
        7: leds = 7'b1110000;
        8: leds = 7'b1111111;
        9: leds = 7'b1111011;
        default: leds = 7'bx;
      endcase
    end
  endfunction

  always @(Digits)
  begin
    Lights[1:7] = leds(Digits[3:0]);
    Lights[8:14] = leds(Digits[7:4]);
    Lights[15:21] = leds(Digits[11:8]);
  end

endmodule
```

**Figure A.24** Using a function to implement the *group* module.

```

module mux_t (W, S16, f);
  input [0:15] W;
  input [3:0] S16;
  output reg f;
  reg [0:3] M;

  task mux4to1;
    input [0:3] W;
    input [1:0] S;
    output Result;
    begin
      if (S == 0) Result = W[0];
      else if (S == 1) Result = W[1];
      else if (S == 2) Result = W[2];
      else if (S == 3) Result = W[3];
    end
  endtask

  always @(W, S16)
  begin
    mux4to1(W[0:3], S16[1:0], M[0]);
    mux4to1(W[4:7], S16[1:0], M[1]);
    mux4to1(W[8:11], S16[1:0], M[2]);
    mux4to1(W[12:15], S16[1:0], M[3]);
    mux4to1(M[0:3], S16[3:2], f);
  end

endmodule

```

**Figure A.25** An example of a **task**.

In a similar way as described above for the Verilog **function**, the compiler essentially inserts the code for the **task** body at the point in the code where it is called.

**Functions** and **tasks** are not crucial for designing Verilog code, but they facilitate the writing of modular code without using separate modules. One advantage of **functions** and **tasks** is that they can be called from an **always** block, whereas these blocks are not allowed to contain instantiation statements. These features of Verilog become increasingly important as the size of the code being developed increases.

---

## A.14 SEQUENTIAL CIRCUITS

While combinational circuits can be modeled with either continuous assignment or procedural assignment statements, sequential circuits can be described only with procedural statements. We now give some examples of sequential circuits.

### A.14.1 A GATED D LATCH

Figure A.26 gives the code for a gated D latch. The sensitivity list for the **always** block includes both the data input, *D*, and clock, *clk*. The **if** statement specifies that *Q* should be set to the value of *D* whenever *clk* is 1. There is no **else** clause in the **if** statement. As we explained in Section A.11.3, this situation implies that *Q* should retain its present value when the **if** condition is not met.

### A.14.2 D FLIP-FLOP

Figure A.27 shows how flip-flops are described in Verilog. The **always** construct uses the special sensitivity list **@(posedge Clock)**. This event expression tells the Verilog compiler that any **reg** variable assigned a value in the **always** construct is the output of a D flip-flop. The code in the figure generates a flip-flop with the input *D* and the output *Q* that is sensitive to the positive clock edge. A negative-edge sensitive flip-flop is specified by **@(negedge Clock)**.

We said in Section A.11.1 that sequential circuits should be described with non-blocking assignments, and we used this type of assignment in Figure A.27. The behavior of blocking and non-blocking assignments for sequential circuits is discussed in Section A.14.5.

```

module latch (D, clk, Q);
  input D, clk;
  output reg Q;

  always @(D, clk)
    if (clk)
      Q = D;

endmodule

```

**Figure A.26** A gated D latch.

```

module flipflop (D, Clock, Q);
  input D, Clock;
  output reg Q;

  always @(posedge Clock)
    Q <= D;

endmodule

```

**Figure A.27** A D flip-flop.

### A.14.3 FLIP-FLOPS WITH RESET

Figure A.28 gives an **always** block that is similar to the one in Figure A.27. It describes a D flip-flop with an asynchronous reset (clear) input, *Resetn*. When *Resetn* = 0, the flip-flop output Q is set to 0. Appending the letter *n* to a signal name is a popular convention to denote an active-low signal.

Verilog syntax requires that a sensitivity list contains either all edge-sensitive events or all level-sensitive events but not a mixture; hence, the reset condition is checked using **negedge** *Resetn*. An active-high reset would require the event **posedge** *Reset* and the **if-else** statement would then check for the condition (*Reset* == 1).

In general, Verilog offers a variety of ways to describe a given circuit. But, for specifying flip-flops, the format of the code is quite strict. Only minor variations of the code in Figures A.27 and A.28 can be made and still infer the desired flip-flops. For instance, the **if-else** statement could alternatively specify **if** (!*Resetn*), but this has to be the first statement in the **always** block. Note that nothing is special about the variable name *Clock*; the keyword **posedge** and the format of the rest of the **always** block are what allow the Verilog compiler to recognize the flip-flop clock signal.

Figure A.29 shows how a flip-flop with a synchronous reset input can be described. Since only the **posedge** *Clock* event appears in the sensitivity list of the **always** block, the reset operation has to be synchronized to the clock edge.

### A.14.4 REGISTERS

One possible approach for describing a multibit register is to create an entity that instantiates multiple flip-flops. A more convenient method is illustrated in Figure A.30. It gives the same code shown in Figure A.28 but using the four-bit input *D* and the four-bit output *Q*. The code describes a four-bit register with asynchronous clear.

Figure A.31 shows how the code in Figure A.30 can be extended to represent an *n*-bit register with an enable input, *E*. The number of flip-flops is set by the parameter *n*. When the active clock edge occurs, the flip-flops in the register cannot change their stored values if the enable *E* is 0. If *E* = 1, the register responds to the active clock edge in the normal way.

```

module flipflop_ar (D, Clock, Resetn, Q);
  input D, Clock, Resetn;
  output reg Q;

  always @(posedge Clock, negedge Resetn)
    if (Resetn == 0)
      Q <= 0;
    else
      Q <= D;

endmodule

```

**Figure A.28** A D flip-flop with asynchronous reset.

```

module flipflop_sr (D, Clock, Resetn, Q);
  input D, Clock, Resetn;
  output reg Q;

  always @(posedge Clock)
    if (Resetn == 0)
      Q <= 0;
    else
      Q <= D;

endmodule

```

**Figure A.29** A D flip-flop with synchronous reset.

```

module reg4 (D, Clock, Resetn, Q);
  input [3:0] D;
  input Clock, Resetn;
  output reg [3:0] Q;

  always @(posedge Clock, negedge Resetn)
    if (Resetn == 0)
      Q <= 4'b0000;
    else
      Q <= D;

endmodule

```

**Figure A.30** A four-bit register with asynchronous clear.

```

module regne (D, Clock, Resetn, E, Q);
  parameter n = 4;
  input [n-1:0] D;
  input Clock, Resetn, E;
  output reg [n-1:0] Q;

  always @(posedge Clock, negedge Resetn)
    if (Resetn == 0)
      Q <= 0;
    else if (E)
      Q <= D;

endmodule

```

**Figure A.31** An  $n$ -bit register with asynchronous clear and enable.



### A.14.5 SHIFT REGISTERS

An example of code that defines a three-bit shift register is provided in Figure A.32. The lines of code are numbered for ease of reference. The shift register has a serial input,  $w$ , and parallel outputs,  $Q$ . The right-most bit in the register is  $Q[3]$ , and the left-most bit is  $Q[1]$ . Shifting is performed in the right-to-left direction. All assignments to  $Q$  are synchronized to the clock edge by the (**posedge** Clock) event, hence  $Q$  represents the outputs of flip-flops. The statement in line 6 specifies that  $Q[3]$  is assigned the value of  $w$ . The semantics of the non-blocking assignments mean that the subsequent statements do not see the new value of  $Q[3]$  until the next time the **always** block is evaluated (in the following clock cycle). In line 7, the current value of  $Q[3]$ , before it is shifted as a result of line 6, is assigned to  $Q[2]$ . Line 8 completes the shift operation by assigning the current value of  $Q[2]$  to  $Q[1]$ , before it is changed as a result of line 7.

The key point that has to be appreciated in the code in Figure A.32 is that the assignments in lines 6 to 8 do not take effect until the end of the **always** block. Hence, all flip-flops change their values at the same time, as required in the shift register. We could write the statements in lines 6 to 8 in any order without changing the meaning of the code.

#### Blocking Assignments for Sequential Circuits

We said previously that blocking assignments should not be used for sequential circuits. As an example of the semantics involved, Figure A.33 gives the **always** block from Figure A.32 with blocking assignments. The first assignment sets  $Q[3] = w$ . Since blocking assignments are involved, the next statement sees this new value of  $Q[3]$ ; hence, it produces  $Q[2] = Q[3] = w$ . Similarly, the final assignment gives  $Q[1] = Q[2] = w$ . The code does not describe the desired shift register, but rather loads all flip-flops with the value on the input  $w$ .

For the code in Figure A.33 to correctly describe a shift register, the ordering of the three assignments has to be reversed. Then the first assignment sets  $Q[1]$  to the value of  $Q[2]$ , the second sets  $Q[2]$  to the value of  $Q[3]$ , and so on. Each successive assignment is not affected by the one that precedes it; hence, the semantics of blocking assignments cause no problem.

```

1  module shift3 (w, Clock, Q);
2  input w, Clock;
3  output reg [1:3] Q;

4  always @(posedge Clock)
5  begin
6      Q[3] <= w;
7      Q[2] <= Q[3];
8      Q[1] <= Q[2];
9  end

10 endmodule

```

**Figure A.32** A three-bit shift register.

```

module shift3 (w, Clock, Q);
  input w, Clock;
  output reg [1:3] Q;

  always @(posedge Clock)
  begin
    Q[3] = w;
    Q[2] = Q[3];
    Q[1] = Q[2];
  end

endmodule

```

**Figure A.33** Wrong code for a three-bit shift register.

```

module count4 (Clock, Resetn, E, Q);
  input Clock, Resetn, E;
  output reg [3:0] Q;

  always @(posedge Clock, negedge Resetn)
  if (Resetn == 0)
    Q <= 0;
  else if (E)
    Q <= Q + 1;

endmodule

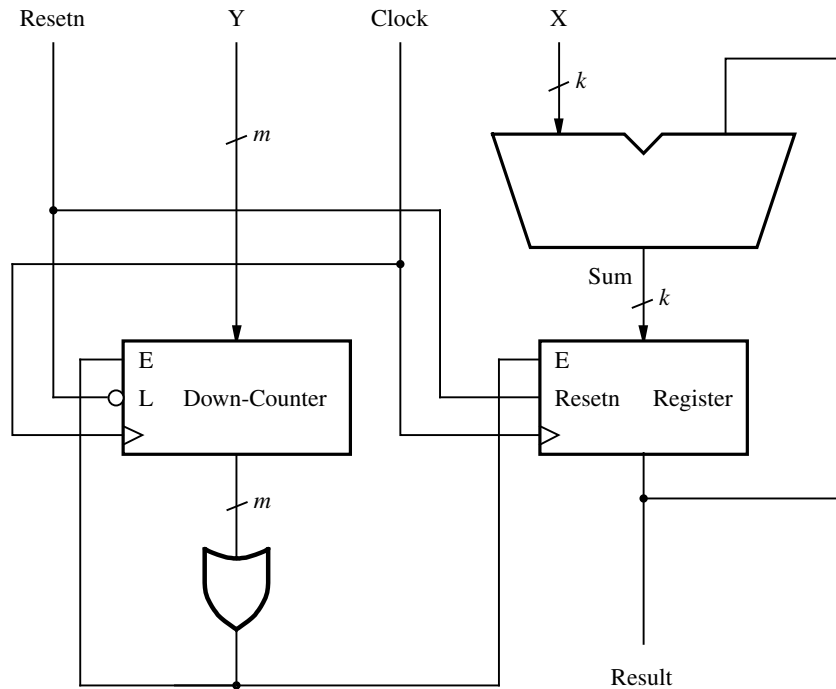
```

**Figure A.34** Code for a four-bit counter.

To avoid the confusing dependence on the ordering of statements, blocking assignments should be avoided when modeling sequential circuits. Also, because they imply differing semantics, blocking and non-blocking assignments should never be mixed in a single **always** construct.

### A.14.6 COUNTERS

Figure A.34 presents the code for a four-bit counter with an asynchronous reset input. The counter also has an enable input,  $E$ . On the positive clock edge, if  $E$  is 1, the count is incremented. If  $E = 0$ , the counter holds its current value.



**Figure A.35** The accumulator circuit.

### A.14.7 AN EXAMPLE OF A SEQUENTIAL CIRCUIT

An example of a sequential circuit is given in Figure A.35. It adds together the values of the  $k$ -bit input  $X$  over successive clock cycles, and stores the sum of these values into a  $k$ -bit register. Such a circuit is often called an *accumulator*. To store the result of each addition operation, the circuit includes a  $k$ -bit register with an asynchronous reset input, *Resetn*. It also has an enable input,  $E$ , which is controlled by a down-counter. The down-counter has an asynchronous load input and a count enable input. The circuit is operated by first setting *Resetn* to 0, which resets the contents of the  $k$ -bit register to 0 and loads the down-counter with an  $m$ -bit number on the  $Y$  input.

Then, in each clock cycle, the counter is decremented, and the sum outputs from the adder are loaded into the register. When the counter reaches 0, the enable inputs on both the register and counter are set to 0 by the OR gate. The circuit remains in this state until it is reset again. The final value stored in the register is the sum of the values of  $X$  in each of the  $Y$  clock cycles.

We designed the accumulator circuit by using two subcircuits described in this appendix: *ripple* (Figure A.13) and *regne* (Figure A.31). The complete code is given in Figure A.36. It uses the parameter  $k$  to set the number of bits in the input  $X$ , and parameter  $m$  to specify the number of bits in the counter. Using these parameters in the code makes

```

module accum (X, Y, Clock, Resetn, Result);
  parameter k = 8;
  parameter m = 4;
  input [k-1:0] X;
  input [m-1:0] Y;
  input Clock, Resetn;
  output [k-1:0] Result;
  wire [k-1:0] Sum;
  wire Cout, Go;
  reg [m-1:0] C;

  ripple u1 (.carryin(0), .X(X), .Y(Result), .S(Sum), .carryout(Cout));
  defparam u1.n = k;
  regne u2 (.D(Sum), .Clock(Clock), .Resetn(Resetn), .E(Go), .Q(Result));
  defparam u2.n = 8;

  always @(posedge Clock, negedge Resetn)
    if (Resetn == 0)
      C <= Y;
    else if (Go)
      C <= C - 1;

  assign Go = | C;

endmodule

```

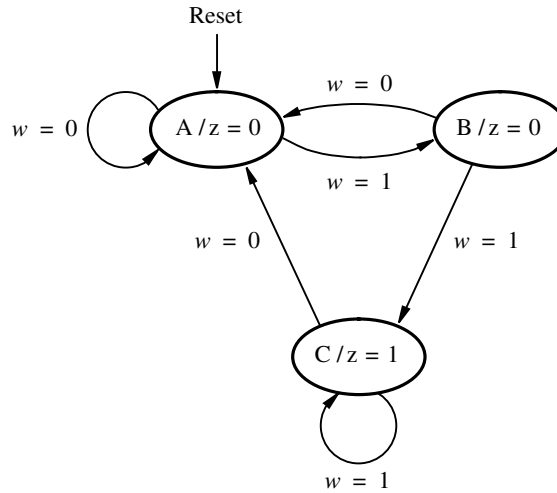
**Figure A.36** Code for a  $k$ -bit accumulator circuit.

it easy to change the bit width at a later time if desired. The code defines the signal *Sum* to represent the outputs of the adder; for simplicity, we ignore the possibility of arithmetic overflow and assume that the sum will fit into  $k$  bits. The  $m$ -bit signal *C* represents the outputs from the down-counter. The *Go* signal is connected to the enable inputs on the register and counter.

### A.14.8 MOORE-TYPE FINITE STATE MACHINES

Figure A.37 gives the state diagram of a simple Moore machine. Verilog code for this machine is shown in Figure A.38. The two-bit vector *y* represents the present state of the machine, and the state codes are defined as parameters. Some CAD synthesis systems provide a means of requesting that the state assignment be chosen automatically, but we have specified the assignment manually in this example.

The present state signal *y* corresponds to the outputs of the state flip-flops, and the signal *Y* represents the inputs to the flip-flops, which define the next state. The code has two



**Figure A.37** State diagram of a simple Moore-type FSM.

**always** blocks. The top one describes a combinational circuit and uses a **case** statement to specify the values that  $Y$  should have for each value of  $y$ . The other **always** block represents a sequential circuit, which specifies that  $y$  is assigned the value of  $Y$  on the positive clock edge. The **always** block also specifies that  $y$  should take the value  $A$  when *Resetn* is 0, which provides the asynchronous reset.

Since the machine is of the Moore type, the output  $z$  can be defined using the assignment statement  $z = (y == C)$  that depends only on the present state of the machine. This statement is provided as a continuous assignment at the end of the code, but it could alternatively have been given inside the top **always** block that represents the combinational part of the FSM. This assignment statement cannot be placed inside the bottom **always** block. Doing so would cause  $z$  to be the output of a separate flip-flop, rather than a combinational function of  $y$ . This circuit would set  $z$  to 1 one clock cycle later than required when the machine enters state  $C$ .

An alternative version of the code for the Moore machine is given in Figure A.39. This code uses a single **always** block to define both the combinational and sequential parts of the finite state machine. In practice, the code in Figure A.38 is used more commonly.

### A.14.9 MEALY-TYPE FINITE STATE MACHINES

A state diagram for a simple Mealy machine is shown in Figure A.40, and the corresponding code is given in Figure A.41. The code has the same structure as in Figure A.38 except that the output  $z$  is defined within the top **always** block. The **case** statement specifies that, when the FSM is in state  $A$ ,  $z$  should be 0, but when in state  $B$ ,  $z$  should take the value of  $w$ . Since the top **always** block represents a combinational circuit, the output  $z$  can change value as soon as the input  $w$  changes, as required for the Mealy machine.

```
module moore (Clock, w, Resetn, z);
  input Clock, w, Resetn;
  output z;
  reg [1:0] y, Y;
  parameter A = 2'b00, B = 2'b01, C = 2'b10;

  always @(w, y)
  begin
    case (y)
      A: if (w == 0) Y = A;
         else      Y = B;
      B: if (w == 0) Y = A;
         else      Y = C;
      C: if (w == 0) Y = A;
         else      Y = C;
      default:      Y = 2'bxx;
    endcase
  end

  always @(posedge Clock, negedge Resetn)
  begin
    if (Resetn == 0)
      y <= A;
    else
      y <= Y;
  end

  assign z = (y == C);

endmodule
```

**Figure A.38** Code for a Moore machine.

---

## A.15 GUIDELINES FOR WRITING VERILOG CODE

Modern digital systems are large and complex. A good approach in designing such systems is to decompose them into smaller, manageable parts. Each part can then be designed by making use of the popular subcircuit building blocks that we describe in this book.

When using Verilog for synthesis, it is essential to write code such that the compiler will generate the intended circuit. For example, code for combinational circuits like adders, multiplexers, encoders, and decoders should be written as illustrated in Chapters 3 and 4. Flip-flops, registers, and counters should be described with the style of code presented

```

module moore (Clock, w, Resetn, z);
  input Clock, w, Resetn;
  output z;
  reg [1:0] y;
  parameter A = 2'b00, B = 2'b01, C = 2'b10;

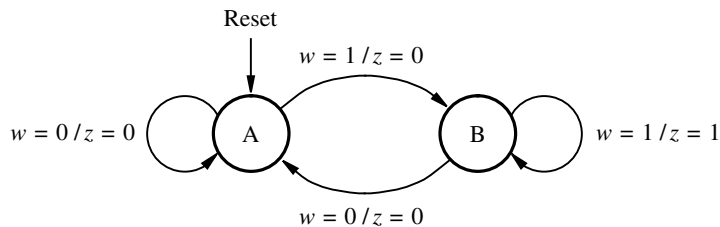
  always @(posedge Clock, negedge Resetn)
  begin
    if (Resetn == 0)
      y <= A;
    else
      case (y)
        A: if (w == 0) y <= A;
           else      y <= B;
        B: if (w == 0) y <= A;
           else      y <= C;
        C: if (w == 0) y <= A;
           else      y <= C;
        default:      y <= 2'bxx;
      endcase
    end

    assign z = (y == C);

  endmodule

```

**Figure A.39** Alternative version of the code for a Moore machine.



**Figure A.40** State diagram of a Mealy-type FSM.

in Chapter 5; and finite-state machine code should be expressed in the manner shown in Chapter 6. Chapter 7 gives some examples of how larger circuits can be constructed by employing these common building blocks. This approach of writing HDL code such that the system is built by interconnecting common, relatively simple subcircuits is often referred to as the *register-transfer level* (RTL) style of code. It is the most popular design method used in practice. The rest of this section lists some common errors found in Verilog code and gives some useful guidelines.

```
module mealy (Clock, w, Resetn, z);  
  input Clock, w, Resetn;  
  output reg z;  
  reg y, Y;  
  parameter A = 1'b0, B = 1'b1;  
  
  always @(w, y)  
    case (y)  
      A: if (w == 0)  
        begin  
          Y = A;  
          z = 0;  
        end  
      else  
        begin  
          Y = B;  
          z = 0;  
        end  
      B: if (w == 0)  
        begin  
          Y = A;  
          z = 0;  
        end  
      else  
        begin  
          Y = B;  
          z = 1;  
        end  
    endcase  
  
  always @(posedge Clock, negedge Resetn)  
    if (Resetn == 0)  
      y <= A;  
    else  
      y <= Y;  
  
endmodule
```

**Figure A.41** Code for a Mealy machine.



### Missing Begin-End

The **always** construct requires **begin** and **end** delimiters if there are multiple statements in the block. The compiler does not take indentation into consideration! For example the **always** block

```
always @(w0, w1, s)
    if ( s == 1 )
        f = w1;
    f = w0;
```

has one statement in it, not two.

### Missing Semicolon

Every Verilog statement must end with a semicolon.

### Missing { }

The replication operator requires a lot of brackets. A common mistake is to write `{3{A}, 2{B}}` instead of `{{3{A}}, {2{B}}}`.

### Accidental Assignment

The statement

```
always @(w0, w1, s)
begin
    if ( s = 1 )
        f = w1;
    f = w0;
end
```

does not test the value of *s*. It sets *s* to the value 1.

### Incomplete Sensitivity List

Consider the **always** block

```
always @(x)
begin
    s = x ^ y;
    c = x & y;
end
```

When using Verilog for synthesis, this code produces the desired circuit, which is a half-adder. However, if this code is used for simulation of circuits, the values of *s* and *c* are updated only as a result of changes in the value of *x*. Changes in *y* will have no effect, because *y* is not included in the sensitivity list. To avoid mismatches between simulation results and synthesized circuits, **always** blocks for combinational circuits should include all signals used on the right-hand side of assignments in the block.

### Variables versus Nets

Only nets can serve as the targets of continuous assignment statements. Variables assigned values inside an **always** block have to be of type **reg** or **integer**. It is not possible to make an assignment to a signal both inside an **always** block and via a continuous assignment statement.

### Assignments in Multiple **always** Blocks

In a module that has multiple **always** blocks, all the **always** blocks are concurrent with respect to one another. Therefore, a given variable should never be assigned a value in more than one **always** block. Doing so would mean that there exist multiple concurrent assignments to this variable, which makes no sense.

### Blocking versus Non-blocking Assignments

When describing a combinational circuit in an **always** construct, it is best to use only blocking assignments (see Section A.11.7). For sequential circuits, non-blocking assignments should be used (see Section A.14.5). Blocking and non-blocking assignments should not be mixed in a single **always** block.

It is not possible to model both a combinational output and a sequential output in a single **always** block. The sequential output requires an edge-triggered event control, such as **@(posedge Clock)**, and this means that all variables assigned a value in the **always** block will be implemented as the outputs of flip-flops.

### Module Instantiation

A **defparam** statement must reference the instance name of a module, but not just the subcircuit's module name. The code

```
bit_count cbits (T, C);
  defparam bit_count.n = 8, bit_count.logn = 3;
```

is illegal, while the code

```
bit_count cbits (T, C);
  defparam cbits.n = 8, cbits.logn = 3;
```

is syntactically correct.

### Label, Net, and Variable Names

It is illegal to use any Verilog keyword as a label, net, or variable name. For example, it is illegal to name a signal *input* or *output*.

### Labeled Begin-End Blocks

It is legal to define a variable or parameter inside a **begin-end** block, but only if the block has a label. The code

```

always @(X)
begin
  integer k;
  Count = 0;
  for (k = 0; k < n; k = k+1)
    Count = Count + X[k];
end

```

is illegal, while the code

```

always @(X)
begin: label
  integer k;
  Count = 0;
  for (k = 0; k < n; k = k+1)
    Count = Count + X[k];
end

```

is syntactically correct.

### Implied Memory

As shown in Section A.14.1, implied memory is used to describe storage elements. Care must be taken to avoid unintentional implied memory. The code

```

always @(LA)
  if (LA == 1)
    EA = 1;

```

results in implied memory for the *EA* variable. If this is not desired, then the code can be fixed by writing

```

always @(LA)
  if (LA == 1)
    EA = 1;
  else
    EA = 0;

```

Implied memory also applies to **case** statements. The code

```

always @(W)
  case (W)
    2'b01: EA = 1;
    2'b10: EB = 1;
  endcase

```

does not specify the value of the *EA* variable when *W* is not equal to 01, and it does not specify the value of *EB* when *W* is not equal to 10. To avoid having implied memory for both *EA* and *EB*, these variables should be assigned default values, as in the code

```
always @(W)
begin
    EA = 0; EB = 0;
    case (W)
        2'b01: EA = 1;
        2'b10: EB = 1;
    endcase
end
```

---

## A.16 CONCLUDING REMARKS

This appendix describes the important features of Verilog that are useful for the synthesis of logic circuits. As mentioned earlier, we do not discuss many features of Verilog which are useful only for simulation of circuits or for other purposes. A reader who wishes to learn more about using Verilog can refer to specialized books [1–7].

---

## REFERENCES

1. D. A. Thomas and P. R. Moorby, *The Verilog Hardware Description Language*, 5th ed., (Kluwer: Norwell, MA, 2002).
2. Z. Navabi, *Verilog Digital System Design*, 2nd ed., (McGraw-Hill: New York, 2006).
3. S. Palnitkar, *Verilog HDL—A Guide to Digital Design and Synthesis*, 2nd ed., (Prentice-Hall: Upper Saddle River, NJ, 2003).
4. D. R. Smith and P. D. Franzon, *Verilog Styles for Synthesis of Digital Systems*, (Prentice-Hall: Upper Saddle River, NJ, 2000).
5. J. Bhasker, *Verilog HDL Synthesis—A Practical Primer*, (Star Galaxy Publishing: Allentown, PA, 1998).
6. D. J. Smith, *HDL Chip Design*, (Doone Publications: Madison, AL, 1996).
7. S. Sutherland, *Verilog 2001. A Guide to the New Features of the Verilog Hardware Description Language*, (Kluwer: Hingham, MA, 2001).

*This page intentionally left blank*

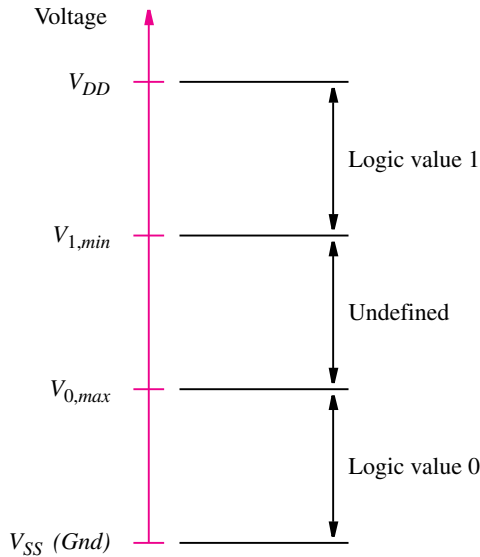
## IMPLEMENTATION TECHNOLOGY

This appendix provides a detailed discussion of integrated circuit technology. We show how transistors operate as simple switches, and how logic gates are built using transistors. We also describe the structure of integrated circuit chips that are used to implement logic circuits, including programmable logic devices, gate arrays, and memory chips. Finally, we study some fundamental properties of electronic circuits, including current flow and power dissipation.

Let us first consider how logic variables can be physically represented as signals in electronic circuits. Our discussion will be restricted to binary variables, which can take on only the values 0 and 1. In a circuit these values can be represented either as levels of voltage or current. Both alternatives are used in different technologies. We will focus on the simplest and most popular representation, using voltage levels.

The most obvious way of representing two logic values as voltage levels is to define a *threshold* voltage; any voltage below the threshold represents one logic value, and voltages above the threshold correspond to the other logic value. It is an arbitrary choice as to which logic value is associated with the low and high voltage levels. Usually, logic 0 is represented by the low voltage levels and logic 1 by the high voltages. This is known as a *positive logic* system. The opposite choice, in which the low voltage levels are used to represent logic 1 and the higher voltages are used for logic 0 is known as a *negative logic* system. In this book we use only the positive logic system, but negative logic is discussed briefly in Section B.4.

Using the positive logic system, the logic values 0 and 1 are referred to simply as “low” and “high.” To implement the threshold-voltage concept, a range of low and high voltage levels is defined, as shown in Figure B.1. The figure gives the minimum voltage, called  $V_{SS}$ , and the maximum voltage, called  $V_{DD}$ , that can exist in the circuit. We will assume that  $V_{SS}$  is 0 volts, corresponding to electrical ground, denoted  $Gnd$ . The voltage  $V_{DD}$  represents the power supply voltage. The most common levels for  $V_{DD}$  are between 5 volts and 1 volt. In this appendix we will mostly use the value  $V_{DD} = 5$  V. Figure B.1 indicates that voltages in the range  $Gnd$  to  $V_{0,max}$  represent logic value 0. The name  $V_{0,max}$  means the maximum voltage level that a logic circuit must recognize as low. Similarly, the range from  $V_{1,min}$  to  $V_{DD}$  corresponds to logic value 1, and  $V_{1,min}$  is the minimum voltage level that a logic circuit must interpret as high. The exact levels of  $V_{0,max}$  and  $V_{1,min}$  depend on the particular technology used; a typical example might set  $V_{0,max}$  to 40 percent of  $V_{DD}$  and  $V_{1,min}$  to 60 percent of  $V_{DD}$ . The range of voltages between  $V_{0,max}$  and  $V_{1,min}$  is undefined. Logic signals



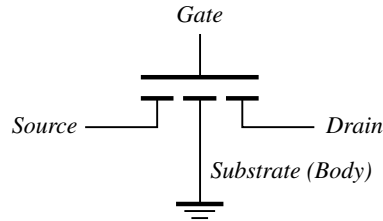
**Figure B.1** Representation of logic values by voltage levels.

do not normally assume voltages in this range except in transition from one logic value to the other. We will discuss the voltage levels used in logic circuits in more depth in Section B.8.3.

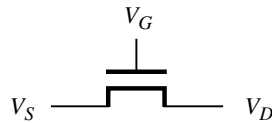
## B.1 TRANSISTOR SWITCHES

Logic circuits are built with transistors. A full treatment of transistor behavior is beyond the scope of this text; it can be found in electronics textbooks, such as [1] and [2]. For the purpose of understanding how logic circuits are built, we can assume that a transistor operates as a simple switch. Figure B.2a shows a switch controlled by a logic signal,  $x$ . When  $x$  is low, the switch is open, and when  $x$  is high, the switch is closed. The most popular type of transistor for implementing a simple switch is the *metal oxide semiconductor field-effect transistor (MOSFET)*. There are two different types of MOSFETs, known as *n-channel*, abbreviated *NMOS*, and *p-channel*, denoted *PMOS*.

Figure B.2b gives a graphical symbol for an NMOS transistor. It has four electrical terminals, called the *source*, *drain*, *gate*, and *substrate*. In logic circuits the substrate (also called *body*) terminal is connected to *Gnd*. We will use the simplified graphical symbol in Figure B.2c, which omits the substrate node. There is no physical difference between the source and drain terminals. They are distinguished in practice by the voltage levels applied to the transistor; by convention, the terminal with the lower voltage level is deemed to be the source.

(a) A simple switch controlled by the input  $x$ 

(b) NMOS transistor



(c) Simplified symbol for an NMOS transistor

**Figure B.2** NMOS transistor as a switch.

A detailed explanation of how the transistor operates will be presented in Section B.8.1. For now it is sufficient to know that it is controlled by the voltage  $V_G$  at the gate terminal. If  $V_G$  is low, then there is no connection between the source and drain, and we say that the transistor is *turned off*. If  $V_G$  is high, then the transistor is *turned on* and acts as a closed switch that connects the source and drain terminals. In Section B.8.2 we show how to calculate the resistance between the source and drain terminals when the transistor is turned on, but for now assume that the resistance is  $0\ \Omega$ .

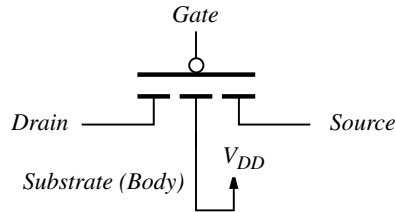
PMOS transistors have the opposite behavior of NMOS transistors. The former are used to realize the type of switch illustrated in Figure B.3a, where the switch is open when the control input  $x$  is high and closed when  $x$  is low. A symbol is shown in Figure B.3b. In logic circuits the substrate of the PMOS transistor is connected to  $V_{DD}$ , leading to the simplified symbol in Figure B.3c. If  $V_G$  is high, then the PMOS transistor is turned off and acts like an open switch. When  $V_G$  is low, the transistor is turned on and acts as a closed switch that connects the source and drain. In the PMOS transistor the source is the node with the higher voltage.

Figure B.4 summarizes the typical use of NMOS and PMOS transistors in logic circuits. An NMOS transistor is turned on when its gate terminal is high, while a PMOS transistor is turned on when its gate is low. When the NMOS transistor is turned on, its drain is

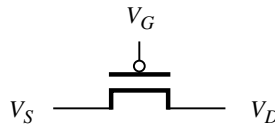




(a) A switch with the opposite behavior of Figure 3.2a



(b) PMOS transistor



(c) Simplified symbol for an PMOS transistor

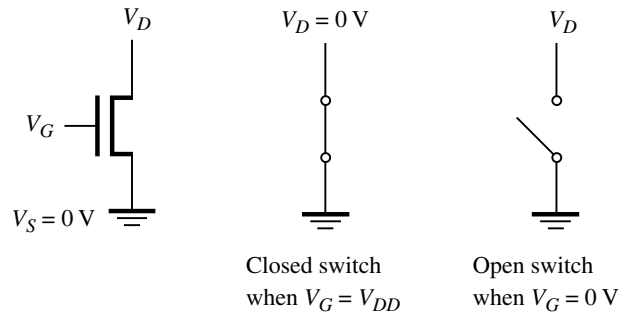
**Figure B.3** PMOS transistor as a switch.

*pulled down* to  $Gnd$ , and when the PMOS transistor is turned on, its drain is *pulled up* to  $V_{DD}$ . Because of the way the transistors operate, an NMOS transistor cannot be used to pull its drain terminal completely up to  $V_{DD}$ . Similarly, a PMOS transistor cannot be used to pull its drain terminal completely down to  $Gnd$ . We discuss the operation of MOSFETs in considerable detail in Section B.8.

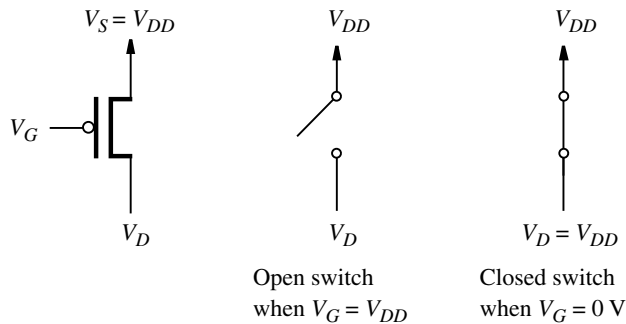
## B.2 NMOS LOGIC GATES

The first schemes for building logic gates with MOSFETs became popular in the 1970s and relied on either PMOS or NMOS transistors, but not both. Since the early 1980s, a combination of both NMOS and PMOS transistors has been used. We will first describe how logic circuits can be built using NMOS transistors because these circuits are easier to understand. Such circuits are known as NMOS circuits. Then we will show how NMOS and PMOS transistors are combined in the presently popular technology known as *complementary MOS*, or *CMOS*.

In the circuit in Figure B.5a, when  $V_x = 0$  V the NMOS transistor is turned off. No current flows through the resistor  $R$ , and  $V_f = 5$  V. On the other hand, when  $V_x = 5$  V, the



(a) NMOS transistor



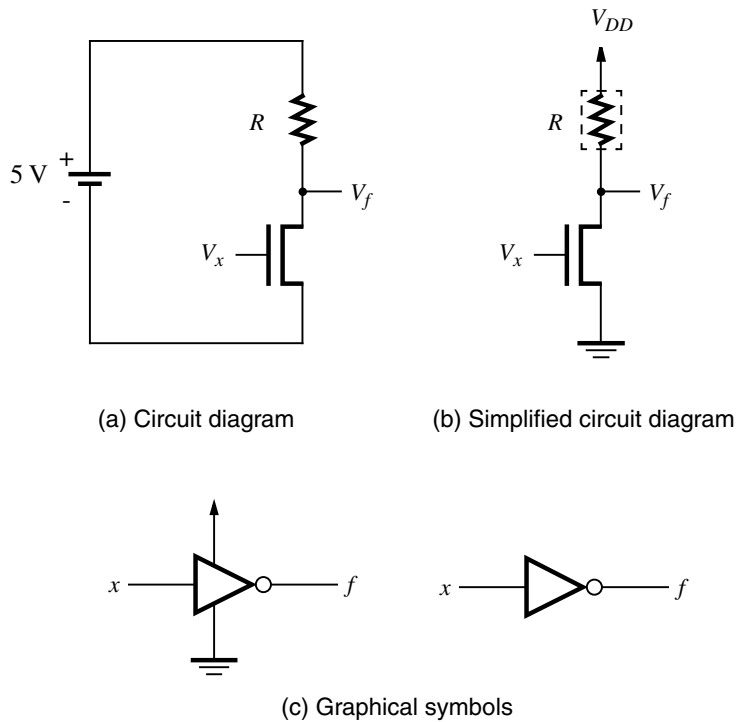
(b) PMOS transistor

**Figure B.4** NMOS and PMOS transistors in logic circuits.

transistor is turned on and pulls  $V_f$  to a low voltage level. The exact voltage level of  $V_f$  in this case depends on the amount of current that flows through the resistor and transistor. Typically,  $V_f$  is about 0.2 V (see Section B.8.3). If  $V_f$  is viewed as a function of  $V_x$ , then the circuit is an NMOS implementation of a NOT gate. In logic terms this circuit implements the function  $f = \bar{x}$ . Figure B.5b gives a simplified circuit diagram in which the connection to the positive terminal on the power supply is indicated by an arrow labeled  $V_{DD}$  and the connection to the negative power-supply terminal is indicated by the  $Gnd$  symbol. We will use this simplified style of circuit diagram for the figures that follow.

The purpose of the resistor in the NOT gate circuit is to limit the amount of current that flows when  $V_x = 5\text{ V}$ . Rather than using a resistor for this purpose, a transistor is normally used. We will discuss this issue in more detail in Section B.8.3. In subsequent diagrams a dashed box is drawn around the resistor  $R$  as a reminder that it is implemented using a transistor.

Figure B.5c presents the graphical symbols for a NOT gate. The symbol on the left shows the input, output, power, and ground terminals, and the symbol on the right is simplified to show only the input and output terminals. In practice only the simplified



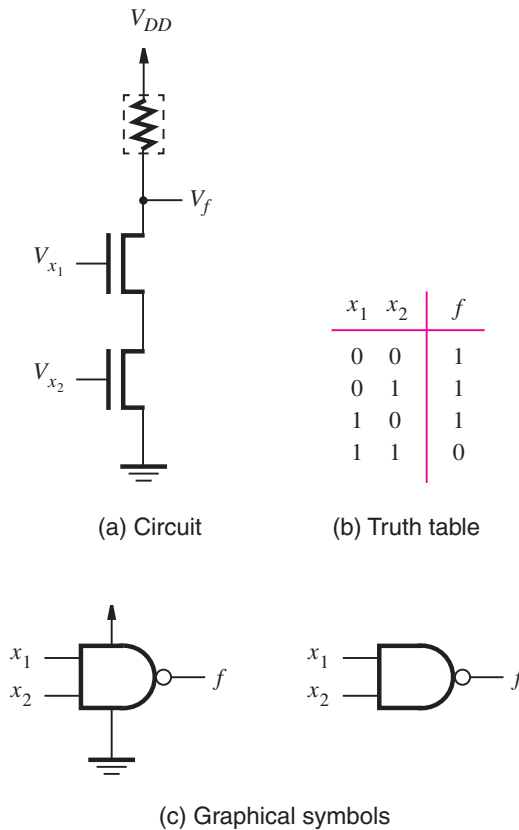
**Figure B.5** A NOT gate built using NMOS technology.

symbol is used. Another name often used for the NOT gate is *inverter*. We use both names interchangeably in this book.

In Section 2.1 we saw that a series connection of switches corresponds to the logic AND function, while a parallel connection represents the OR function. Using NMOS transistors, we can implement the series connection as depicted in Figure B.6a. If  $V_{x_1} = V_{x_2} = 5\text{ V}$ , both transistors will be on and  $V_f$  will be close to 0 V. But if either  $V_{x_1}$  or  $V_{x_2}$  is 0, then no current will flow through the series-connected transistors and  $V_f$  will be pulled up to 5 V. The resulting truth table for  $f$ , provided in terms of logic values, is given in Figure B.6b. The circuit realizes a NAND gate. Its graphical symbols are shown in part (c) of the figure.

The parallel connection of NMOS transistors is given in Figure B.7a. Here, if either  $V_{x_1} = 5\text{ V}$  or  $V_{x_2} = 5\text{ V}$ , then  $V_f$  will be close to 0 V. Only if both  $V_{x_1}$  and  $V_{x_2}$  are 0 will  $V_f$  be pulled up to 5 V. A corresponding truth table is given in Figure B.7b, which shows that the circuit realizes the NOR function. The graphical symbols for the NOR gate appear in part (c) of the figure.

Figure B.8 indicates how an AND gate is built in NMOS technology by following a NAND gate with an inverter. Node  $A$  realizes the NAND of inputs  $x_1$  and  $x_2$ , and  $f$  represents the AND function. In a similar fashion an OR gate is realized as a NOR gate followed by an inverter, as depicted in Figure B.9.

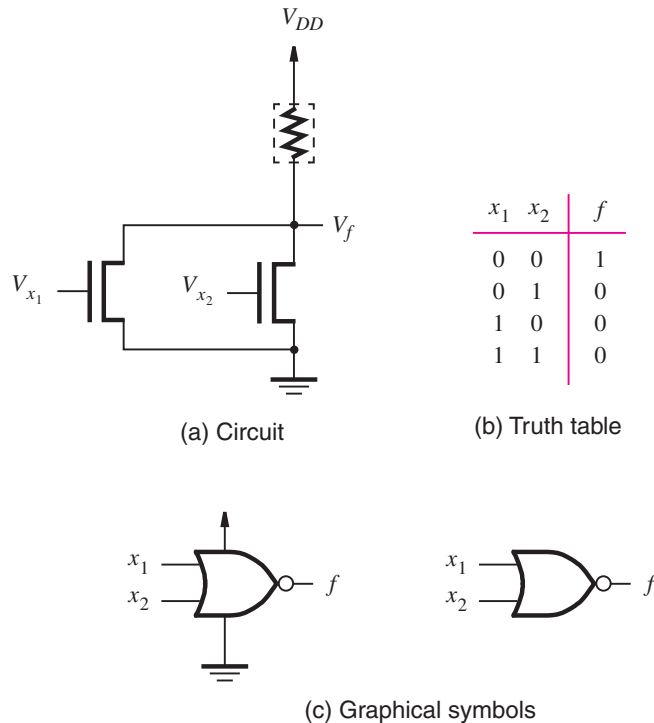


**Figure B.6** NMOS realization of a NAND gate.

## B.3 CMOS LOGIC GATES

So far we have considered the implementation of logic gates using NMOS transistors. For each of the circuits that has been presented, it is possible to derive an equivalent circuit that uses PMOS transistors. However, it is more interesting to consider how both NMOS and PMOS transistors can be used together. The most popular such approach is known as CMOS technology. We will see in Section B.8 that CMOS technology offers some attractive practical advantages in comparison to NMOS technology.

In NMOS circuits the logic functions are realized by arrangements of NMOS transistors, combined with a pull-up device that acts as a resistor. We will refer to the part of the circuit that involves NMOS transistors as the *pull-down network (PDN)*. Then the structure of the circuits in Figures B.5 through B.9 can be characterized by the block diagram in Figure B.10. The concept of CMOS circuits is based on replacing the pull-up device with a *pull-up network (PUN)* that is built using PMOS transistors, such that the functions realized by the



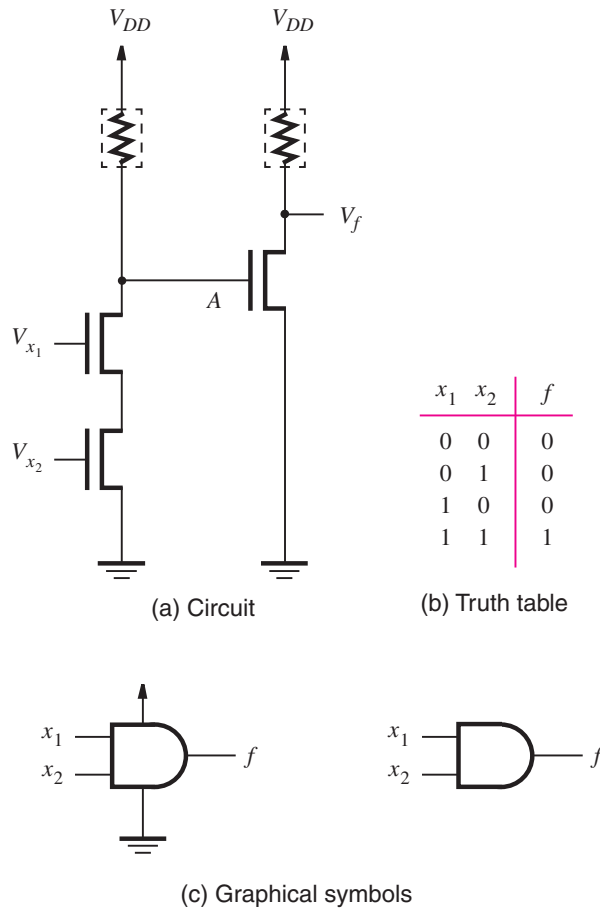
**Figure B.7** NMOS realization of a NOR gate.

PDN and PUN networks are complements of each other. Then a logic circuit, such as a typical logic gate, is implemented as indicated in Figure B.11. For any given valuation of the input signals, either the PDN pulls  $V_f$  down to  $Gnd$  or the PUN pulls  $V_f$  up to  $V_{DD}$ . The PDN and the PUN have equal numbers of transistors, which are arranged so that the two networks are *duals* of one another. Wherever the PDN has NMOS transistors in series, the PUN has PMOS transistors in parallel, and vice versa.

The simplest example of a CMOS circuit, a NOT gate, is shown in Figure B.12. When  $V_x = 0$  V, transistor  $T_2$  is off and transistor  $T_1$  is on. This makes  $V_f = 5$  V, and since  $T_2$  is off, no current flows through the transistors. When  $V_x = 5$  V,  $T_2$  is on and  $T_1$  is off. Thus  $V_f = 0$  V, and no current flows because  $T_1$  is off.

A key point is that no current flows in a CMOS inverter when the input is either low or high. This is true for all CMOS circuits; no current flows, and hence no power is dissipated under steady state conditions. This property has led to CMOS becoming the most popular technology in use today for building logic circuits. We will discuss current flow and power dissipation in detail in Section B.8.6.

Figure B.13 provides a circuit diagram of a CMOS NAND gate. It is similar to the NMOS circuit presented in Figure B.6 except that the pull-up device has been replaced by the PUN with two PMOS transistors connected in parallel. The truth table in the figure specifies the state of each of the four transistors for each logic valuation of inputs  $x_1$  and  $x_2$ . The reader can verify that the circuit properly implements the NAND function. Under static conditions no path exists for current flow from  $V_{DD}$  to  $Gnd$ .



**Figure B.8** NMOS realization of an AND gate.

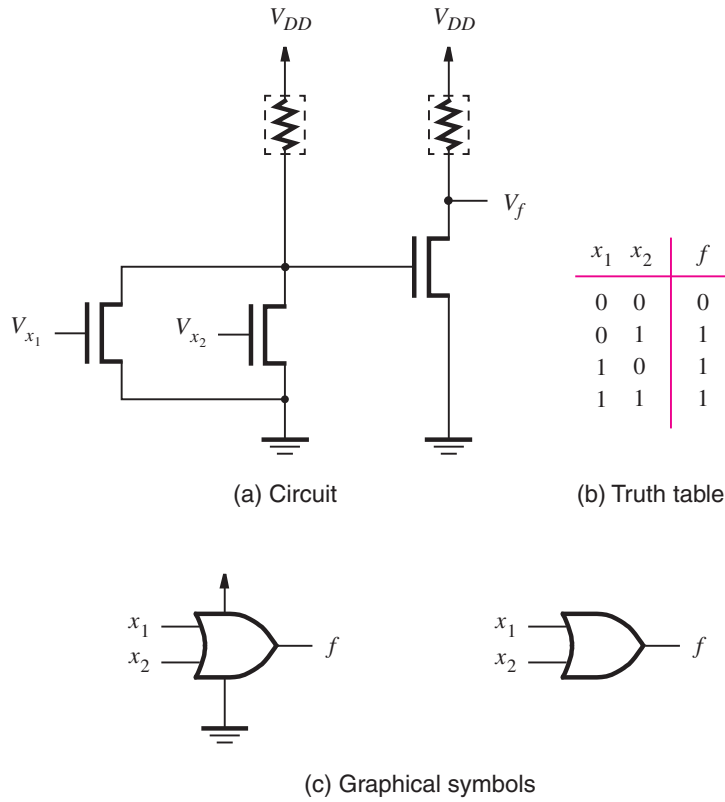
The circuit in Figure B.13 can be derived from the logic expression that defines the NAND operation,  $f = \overline{x_1 x_2}$ . This expression specifies the conditions for which  $f = 1$ ; hence it defines the PUN. Since the PUN consists of PMOS transistors, which are turned on when their control (gate) inputs are set to 0, an input variable  $x_i$  turns on a transistor if  $x_i = 0$ . From DeMorgan's law, we have

$$f = \overline{x_1 x_2} = \overline{x_1} + \overline{x_2}$$

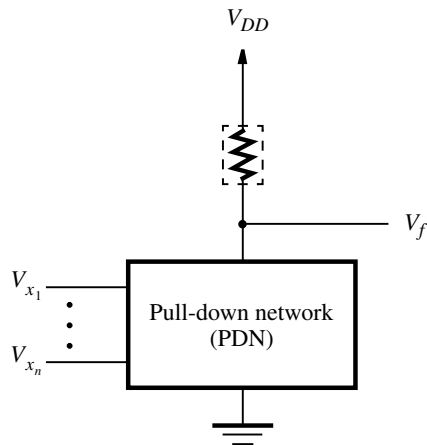
Thus  $f = 1$  when *either* input  $x_1$  or  $x_2$  has the value 0, which means that the PUN must have two PMOS transistors connected in parallel. The PDN must implement the complement of  $f$ , which is

$$\overline{f} = x_1 x_2$$

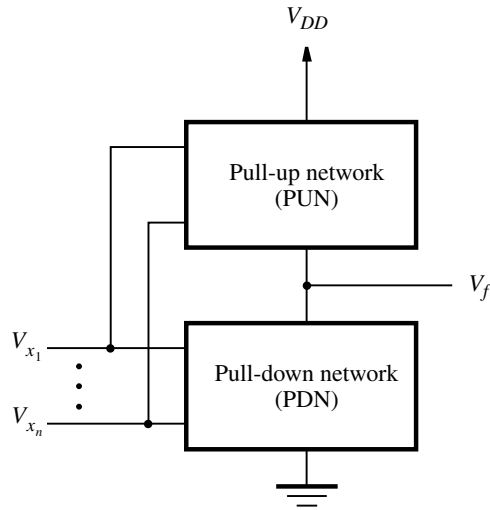
Since  $\overline{f} = 1$  when *both*  $x_1$  and  $x_2$  are 1, it follows that the PDN must have two NMOS transistors connected in series.



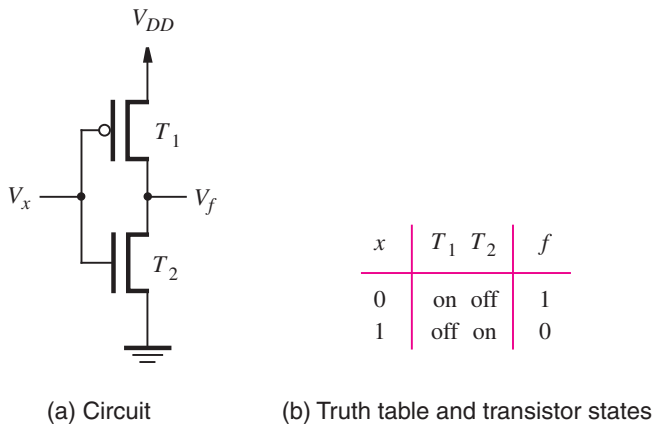
**Figure B.9** NMOS realization of an OR gate.



**Figure B.10** Structure of an NMOS circuit.



**Figure B.11** Structure of a CMOS circuit.



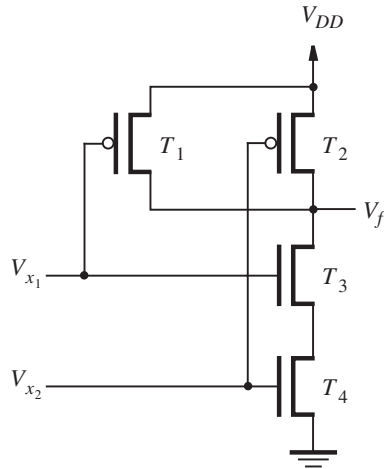
**Figure B.12** CMOS realization of a NOT gate.

The circuit for a CMOS NOR gate is derived from the logic expression that defines the NOR operation

$$f = \overline{x_1 + x_2} = \bar{x}_1 \bar{x}_2$$

Since  $f = 1$  only if both  $x_1$  and  $x_2$  have the value 0, then the PUN consists of two PMOS transistors connected in series. The PDN, which realizes  $\bar{f} = x_1 + x_2$ , has two NMOS transistors in parallel, leading to the circuit shown in Figure B.14.

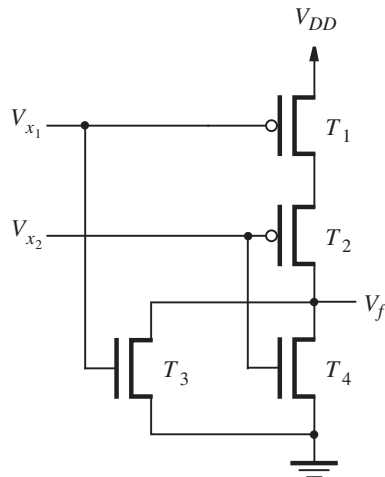




(a) Circuit

$x_1$	$x_2$	$T_1$	$T_2$	$T_3$	$T_4$	$f$
0	0	on	on	off	off	1
0	1	on	off	off	on	1
1	0	off	on	on	off	1
1	1	off	off	on	on	0

(b) Truth table and transistor states

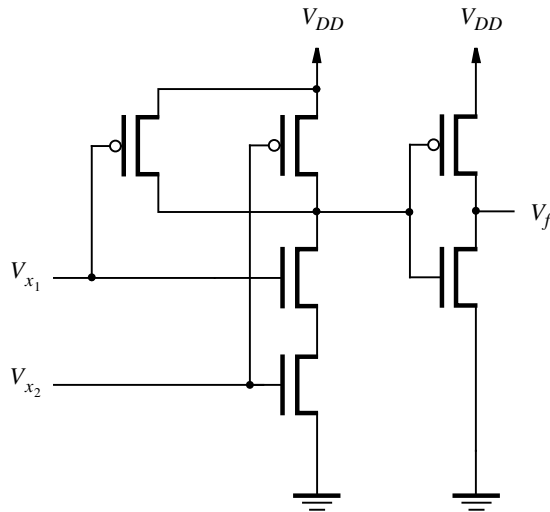
**Figure B.13** CMOS realization of a NAND gate.

(a) Circuit

$x_1$	$x_2$	$T_1$	$T_2$	$T_3$	$T_4$	$f$
0	0	on	on	off	off	1
0	1	on	off	off	on	0
1	0	off	on	on	off	0
1	1	off	off	on	on	0

(b) Truth table and transistor states

**Figure B.14** CMOS realization of a NOR gate.



**Figure B.15** CMOS realization of an AND gate.

A CMOS AND gate is built by connecting a NAND gate to an inverter, as illustrated in Figure B.15. Similarly, an OR gate is constructed with a NOR gate followed by a NOT gate.

The above procedure for deriving a CMOS circuit can be applied to more general logic functions to create *complex gates*. This process is illustrated in the following two examples.

Consider the function

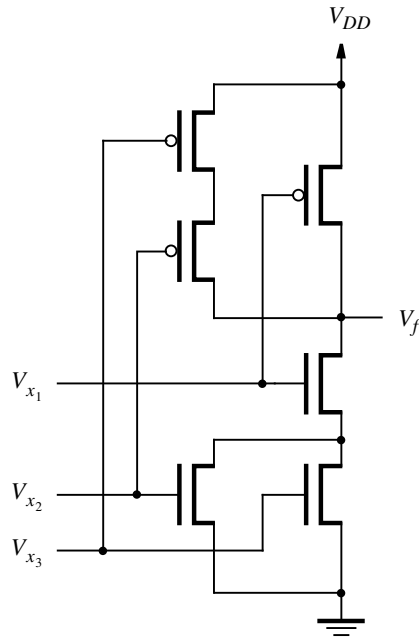
**Example B.1**

$$f = \bar{x}_1 + \bar{x}_2\bar{x}_3$$

Since all variables appear in their complemented form, we can directly derive the PUN. It consists of a PMOS transistor controlled by  $x_1$  in parallel with a series combination of PMOS transistors controlled by  $x_2$  and  $x_3$ . For the PDN we have

$$\bar{f} = \overline{\bar{x}_1 + \bar{x}_2\bar{x}_3} = x_1(x_2 + x_3)$$

This expression gives the PDN that has an NMOS transistor controlled by  $x_1$  in series with a parallel combination of NMOS transistors controlled by  $x_2$  and  $x_3$ . The circuit is shown in Figure B.16.



**Figure B.16** The circuit for Example B.1.

---

**Example B.2** Consider the function

$$f = \bar{x}_1 + (\bar{x}_2 + \bar{x}_3)\bar{x}_4$$

Then

$$\bar{f} = x_1(x_2x_3 + x_4)$$

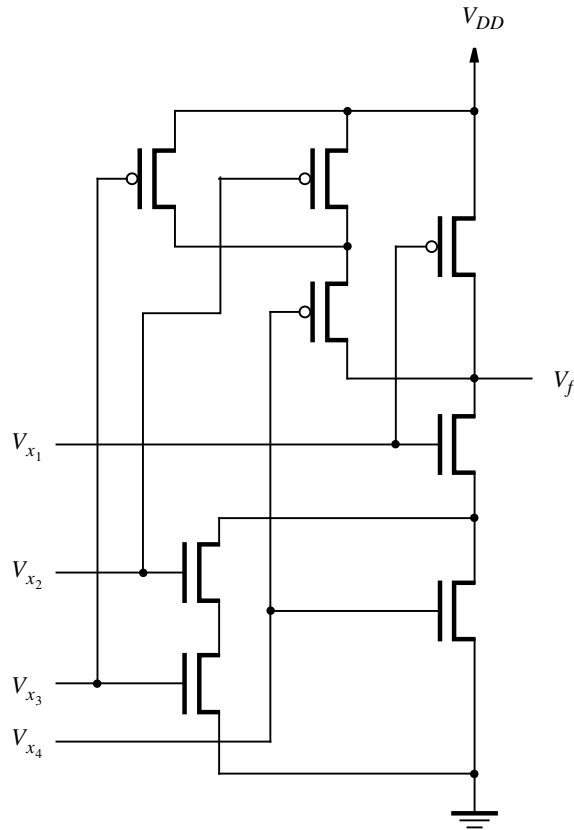
These expressions lead directly to the circuit in Figure B.17.

---

The circuits in Figures B.16 and B.17 show that it is possible to implement fairly complex logic functions using combinations of series and parallel connections of transistors (acting as switches), without implementing each series or parallel connection as a complete AND (using the structure introduced in Figure B.15) or OR gate.

### B.3.1 SPEED OF LOGIC GATE CIRCUITS

In the preceding sections we have assumed that transistors operate as ideal switches that present no resistance to current flow. Hence, while we have derived circuits that realize the functionality needed in logic gates, we have ignored the important issue of the speed of

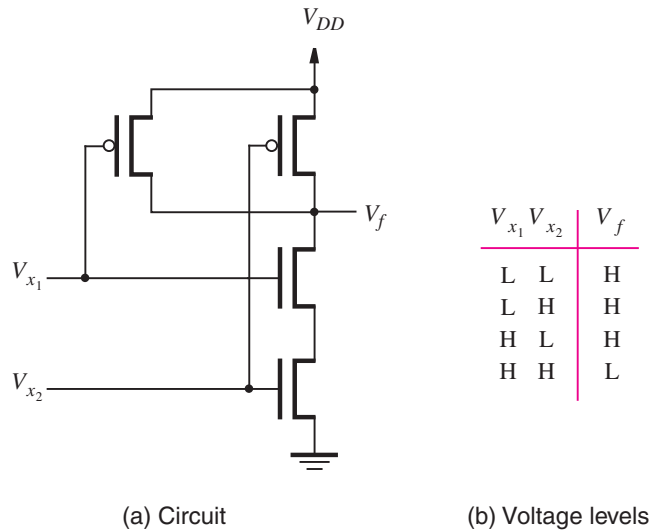


**Figure B.17** The circuit for Example B.2.

operation of the circuits. In reality transistor switches have a significant resistance when turned on. Also, transistor circuits include capacitors, which are created as a side effect of the manufacturing process. These factors affect the amount of time required for signal values to propagate through logic gates. We provide a detailed discussion of the speed of logic circuits, as well as a number of other practical issues, in Section B.8.

## B.4 NEGATIVE LOGIC SYSTEM

In the discussion for Figure B.1, we said that logic values are represented as two distinct ranges of voltage levels. We are using the convention that the higher voltage levels represent logic value 1 and the lower voltages represent logic value 0. This convention is known as the positive logic system, and it is the one used in most practical applications. In this



**Figure B.18** Voltage levels in the circuit in Figure B.13.

section we briefly consider the negative logic system in which the association between voltage levels and logic values is reversed.


Let us reconsider the CMOS circuit in Figure B.13, which is reproduced in Figure B.18a. Part (b) of the figure gives a truth table for the circuit, but the table shows voltage levels instead of logic values. In this table,  $L$  refers to the low voltage level in the circuit, which is 0 V, and  $H$  represents the high voltage level, which is  $V_{DD}$ . This is the style of truth table that manufacturers of integrated circuits often use in data sheets to describe the functionality of the chips. It is entirely up to the user of the chip as to whether  $L$  and  $H$  are interpreted in terms of logic values such that  $L = 0$  and  $H = 1$ , or  $L = 1$  and  $H = 0$ .

Figure B.19a illustrates the positive logic interpretation in which  $L = 0$  and  $H = 1$ . As we already know from the discussions of Figure B.13, the circuit represents a NAND gate under this interpretation. The opposite interpretation is shown in Figure B.19b. Here negative logic is used so that  $L = 1$  and  $H = 0$ . The truth table specifies that the circuit represents a NOR gate in this case. Note that the truth table rows are listed in the opposite order from what we normally use, to be consistent with the  $L$  and  $H$  values in Figure B.18b. Figure B.19b also gives the logic gate symbol for the NOR gate, which includes small triangles on the gate's terminals to indicate that the negative logic system is used.

As another example, consider again the circuit in Figure B.15. Its truth table, in terms of voltage levels, is given in Figure B.20a. Using the positive logic system, this circuit represents an AND gate, as indicated in Figure B.20b. But using the negative logic system, the circuit represents an OR gate, as depicted in Figure B.20c.


It is possible to use a mixture of positive and negative logic in a single circuit, which is known as a *mixed logic system*. In practice, the positive logic system is used in most applications. We do not consider the negative logic system in the main body of the book.

$x_1$	$x_2$	$f$
0	0	1
0	1	1
1	0	1
1	1	0



(a) Positive logic truth table and gate symbol

$x_1$	$x_2$	$f$
1	1	0
1	0	0
0	1	0
0	0	1



(b) Negative logic truth table and gate symbol

**Figure B.19** Interpretation of the circuit in Figure B.18.

## B.5 STANDARD CHIPS

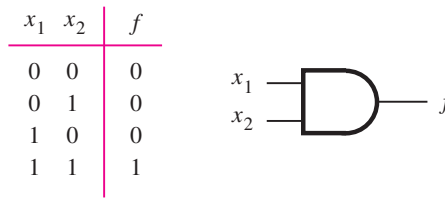
In Chapter 1 we mentioned that several different types of integrated circuit chips are available for implementation of logic circuits. We now discuss the available choices in some detail.

### B.5.1 7400-SERIES STANDARD CHIPS

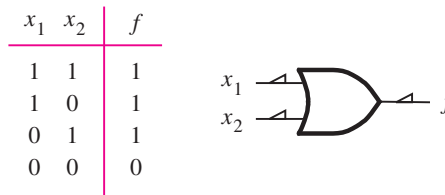
An approach used widely until the mid-1980s was to connect together multiple chips, each containing only a few logic gates. A wide assortment of chips, with different types of logic gates, is available for this purpose. They are known as 7400-series parts because the chip part numbers always begin with the digits 74. An example of a 7400-series part is given in Figure B.21. Part (a) of the figure shows a type of package that the chip is provided in, called a *dual-inline package (DIP)*. Part (b) illustrates the 7404 chip, which comprises six NOT gates. The chip's external connections are called *pins* or *leads*. Two pins are used to connect to  $V_{DD}$  and  $Gnd$ , and other pins provide connections to the NOT gates. Many 7400-series chips exist, and they are described in the data books produced by manufacturers of these chips [3–7]. Diagrams of some of the chips are also included in several textbooks, such as [8–12].

$V_{x_1}$	$V_{x_2}$	$V_f$
L	L	L
L	H	L
H	L	L
H	H	H

(a) Voltage levels



(b) Positive logic

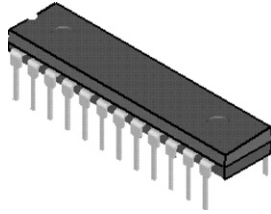


(c) Negative logic

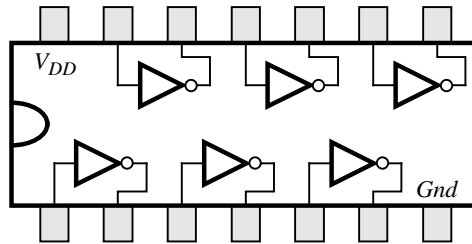
**Figure B.20** Interpretation of the circuit in Figure B.15.

The 7400-series chips are produced in standard forms by a number of integrated circuit manufacturers, using agreed-upon specifications. Competition among various manufacturers works to the designer's advantage because it tends to lower the price of chips and ensures that parts are always readily available. For each specific 7400-series chip, several variants are built with different technologies. For instance, the part called 74LS00 is built with a technology called transistor-transistor logic (TTL), which is described in [1], whereas the 74HC00 is fabricated using CMOS technology. In general, the most popular chips used today are the CMOS variants.

As an example of how a logic circuit can be implemented using 7400-series chips, consider the function  $f = x_1x_2 + \bar{x}_2x_3$ . A NOT gate is required to produce  $\bar{x}_2$ , as well as 2 two-input AND gates and a two-input OR gate. Figure B.22 shows three 7400-series chips that can be used to implement the function. We assume that the three input signals  $x_1$ ,  $x_2$ , and  $x_3$  are produced as outputs by some other circuitry that can be connected by wires to



(a) Dual-inline package



(b) Structure of 7404 chip

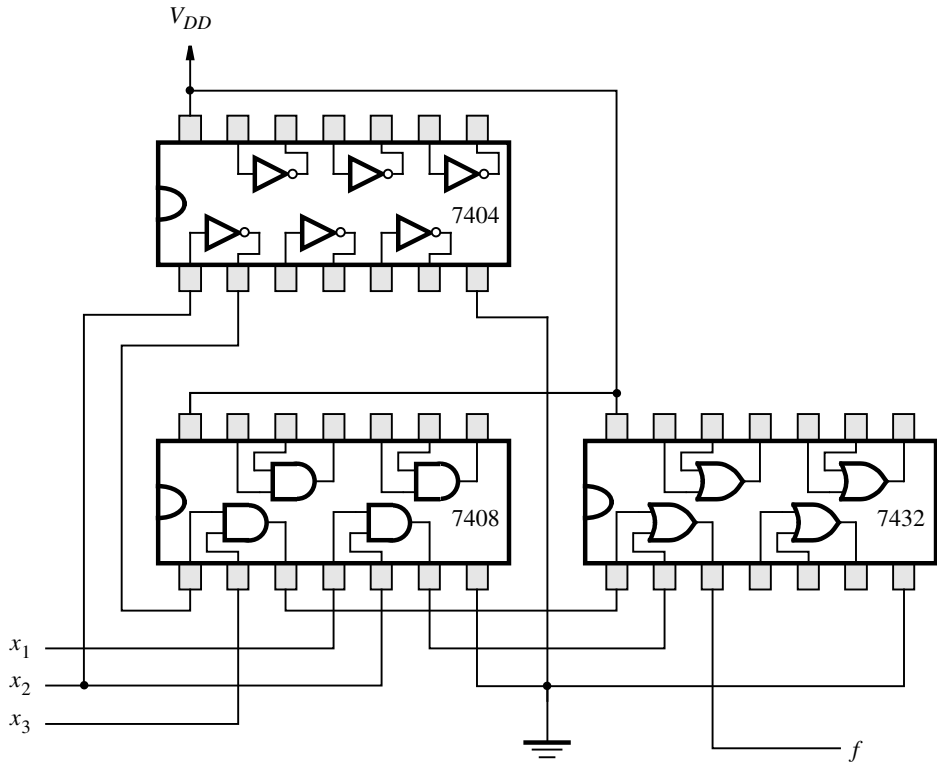
**Figure B.21** A 7400-series chip.

the three chips. Notice that power and ground connections are included for all three chips. This example makes use of only a portion of the gates available in the three chips, hence the remaining gates can be used to realize other functions.

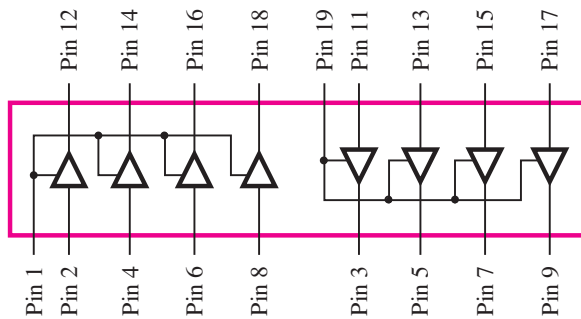
Because of their low logic capacity, the standard chips are seldom used in practice today, with one exception. Many modern products include standard chips that contain drivers. Drivers (also sometimes called *buffers*) are logic gates that are usually used to improve the speed of circuits. An example of a driver chip is depicted in Figure B.23. It is the 74244 chip, which comprises eight *tri-state drivers*. We describe how tri-state drivers work in Section 7.1.1. Rather than showing how the drivers are arranged inside the chip package, as we did for the NOT gates in Figure B.21, we show only the pin numbers of the package pins that are connected to the drivers. The package has 20 pins, and they are numbered with pin 1 in the lower-left corner, and pin 20 in the upper-left corner. The *Gnd* and  $V_{DD}$  connections are provided on pins 10 and 20, respectively, similar to the arrangement shown in Figure B.21. Many other driver chips also exist. For example, the 162244 chip has 16 tri-state drivers. It is part of a family of devices that are similar to the 7400-series chips but with twice as many gates in each chip. These chips are available in multiple types of packages, with the most popular being a *small-outline integrated circuit (SOIC)* package. An SOIC package has a similar shape to a DIP, but the SOIC is considerably smaller in physical size.

As integrated circuit technology has improved over time, a system of classifying chips according to their size has evolved. The earliest chips produced, such as the 7400-series,





**Figure B.22** An implementation of  $f = x_1x_2 + \bar{x}_2x_3$ .



**Figure B.23** The 74244 driver chip.

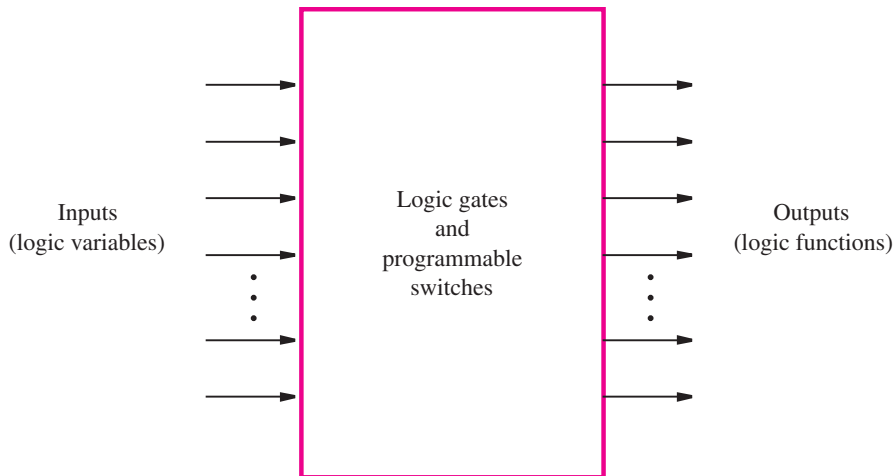
comprise only a few logic gates. The technology used to produce these chips is referred to as *small-scale integration (SSI)*. Chips that include slightly more logic circuitry, typically about 10 to 100 gates, represent *medium-scale integration (MSI)*. Until the mid-1980s chips that were too large to qualify as MSI were classified as *large-scale integration (LSI)*. In recent years the concept of classifying circuits according to their size has become of little practical use. Most integrated circuits today contain many thousands or millions of transistors. Regardless of their exact size, these large chips are said to be made with *very large scale integration (VLSI)* technology. The trend in digital hardware products is to integrate as much circuitry as possible onto a single chip. Thus most of the chips used today are built with VLSI technology, and the older types of chips are used rarely.

---

## B.6 PROGRAMMABLE LOGIC DEVICES

The function provided by each of the 7400-series parts is fixed and cannot be tailored to suit a particular design situation. This fact, coupled with the limitation that each chip contains only a few logic gates, makes these chips inefficient for building large logic circuits. It is possible to manufacture chips that contain relatively large amounts of logic circuitry with a structure that is not fixed. Such chips were first introduced in the 1970s and are called *programmable logic devices (PLDs)*.

A PLD is a general-purpose chip for implementing logic circuits. It contains a collection of logic circuit elements that can be customized in different ways. A PLD can be viewed as a “black box” that contains logic gates and programmable switches, as illustrated in Figure B.24. The programmable switches allow the logic gates inside the PLD to be connected together to implement whatever logic circuit is needed.

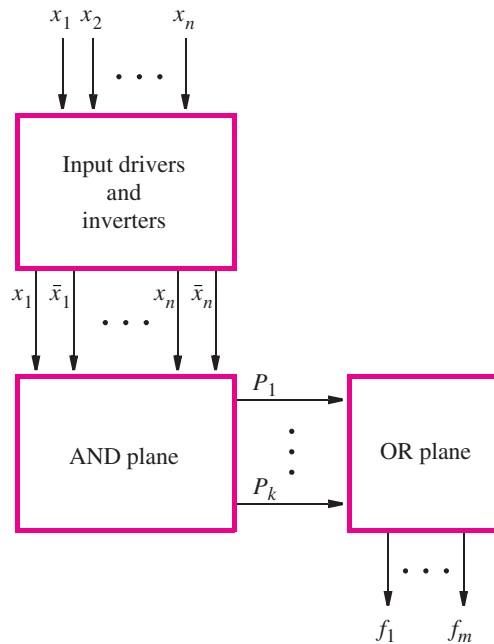


**Figure B.24** Programmable logic device as a black box.

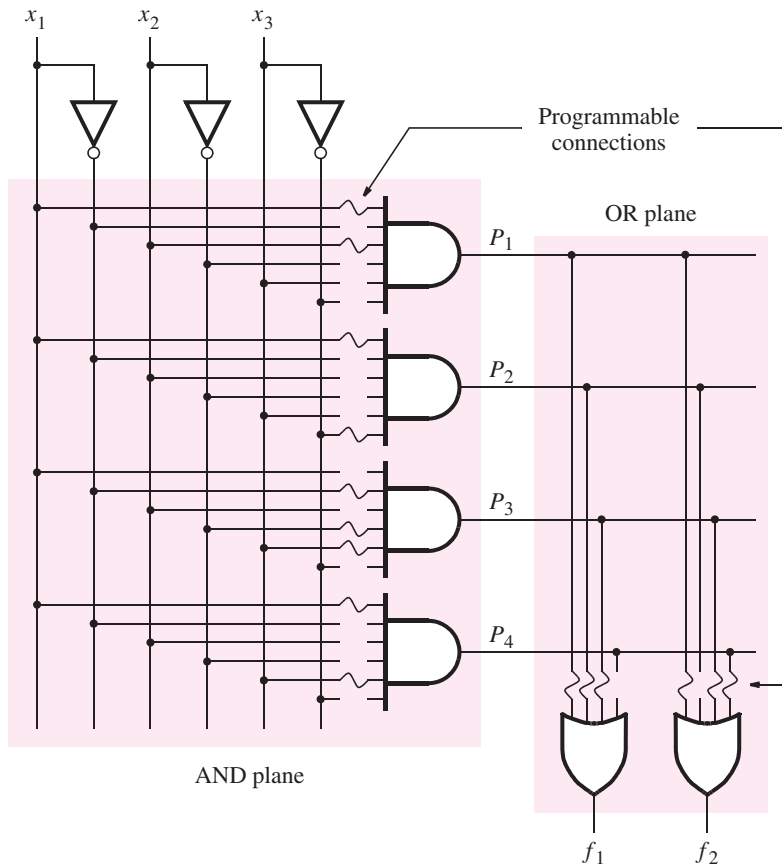
### B.6.1 PROGRAMMABLE LOGIC ARRAY (PLA)

Several types of PLDs are commercially available. The first developed was the *programmable logic array (PLA)*. The general structure of a PLA is depicted in Figure B.25. Based on the idea that logic functions can be realized in sum-of-products form, a PLA comprises a collection of AND gates that feeds a set of OR gates. As shown in the figure, the PLA's inputs  $x_1, \dots, x_n$  pass through a set of drivers (which provide both the true value and complement of each input) into a circuit block called an *AND plane*, or *AND array*. The AND plane produces a set of product terms  $P_1, \dots, P_k$ . Each of these terms can be configured to implement any AND function of  $x_1, \dots, x_n$ . The product terms serve as the inputs to an *OR plane*, which produces the outputs  $f_1, \dots, f_m$ . Each output can be configured to realize any sum of  $P_1, \dots, P_k$  and hence any sum-of-products function of the PLA inputs.

A more detailed diagram of a small PLA is given in Figure B.26, which shows a PLA with three inputs, four product terms, and two outputs. Each AND gate in the AND plane has six inputs, corresponding to the true and complemented versions of the three input signals. Each connection to an AND gate is programmable; a signal that is connected to an AND gate is indicated with a wavy line, and a signal that is not connected to the gate is shown with a broken line. The circuitry is designed such that any unconnected AND-gate inputs do not affect the output of the AND gate. In commercially available PLAs, several



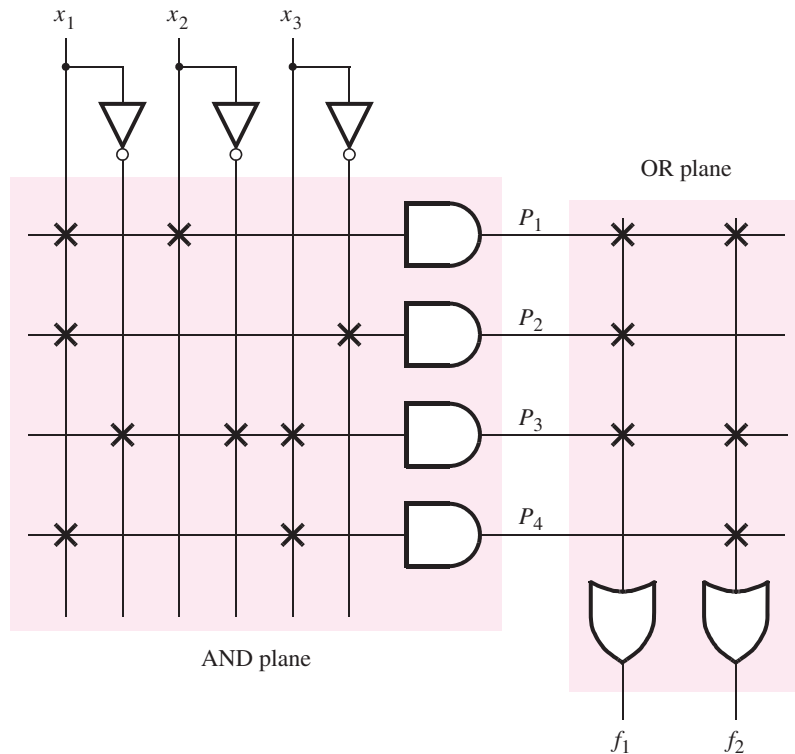
**Figure B.25** General structure of a PLA.



**Figure B.26** Gate-level diagram of a PLA.

methods of realizing the programmable connections exist. Detailed explanation of how a PLA can be built using transistors is given in Section B.10.

In Figure B.26 the AND gate that produces  $P_1$  is shown connected to the inputs  $x_1$  and  $x_2$ . Hence  $P_1 = x_1x_2$ . Similarly,  $P_2 = x_1\bar{x}_3$ ,  $P_3 = \bar{x}_1\bar{x}_2x_3$ , and  $P_4 = x_1x_3$ . Programmable connections also exist for the OR plane. Output  $f_1$  is connected to product terms  $P_1$ ,  $P_2$ , and  $P_3$ . It therefore realizes the function  $f_1 = x_1x_2 + x_1\bar{x}_3 + \bar{x}_1\bar{x}_2x_3$ . Similarly, output  $f_2 = x_1x_2 + \bar{x}_1\bar{x}_2x_3 + x_1x_3$ . Although Figure B.26 depicts the PLA programmed to implement the functions described above, by programming the AND and OR planes differently, each of the outputs  $f_1$  and  $f_2$  could implement various functions of  $x_1$ ,  $x_2$ , and  $x_3$ . The only constraint on the functions that can be implemented is the size of the AND plane because it produces only four product terms. Commercially available PLAs come in larger sizes than we have shown here. Typical parameters are 16 inputs, 32 product terms, and eight outputs.



**Figure B.27** Customary schematic for the PLA in Figure B.26.

Although Figure B.26 illustrates clearly the functional structure of a PLA, this style of drawing is awkward for larger chips. Instead, it has become customary in technical literature to use the style shown in Figure B.27. Each AND gate is depicted as a single horizontal line attached to an AND-gate symbol. The possible inputs to the AND gate are drawn as vertical lines that cross the horizontal line. At any crossing of a vertical and horizontal line, a programmable connection, indicated by an X, can be made. Figure B.27 shows the programmable connections needed to implement the product terms in Figure B.26. Each OR gate is drawn in a similar manner, with a vertical line attached to an OR-gate symbol. The AND-gate outputs cross these lines, and corresponding programmable connections can be formed. The figure illustrates the programmable connections that produce the functions  $f_1$  and  $f_2$  from Figure B.26.

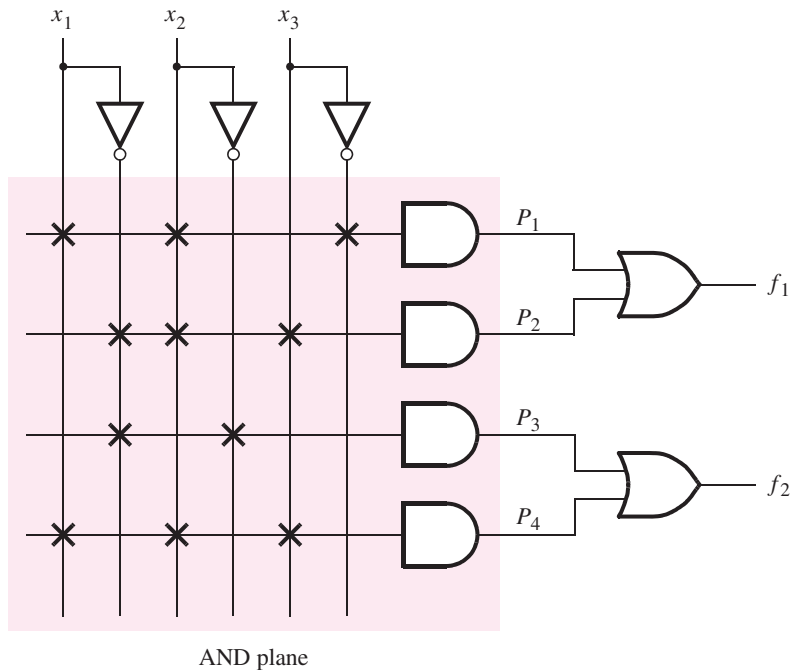
The PLA is efficient in terms of the area needed for its implementation on an integrated circuit chip. For this reason, PLAs are often included as part of larger chips, such as microprocessors. In this case a PLA is created so that the connections to the AND and OR gates are fixed, rather than programmable. In Section B.10 we will show that both fixed and programmable PLAs can be created with similar structures.

## B.6.2 PROGRAMMABLE ARRAY LOGIC (PAL)

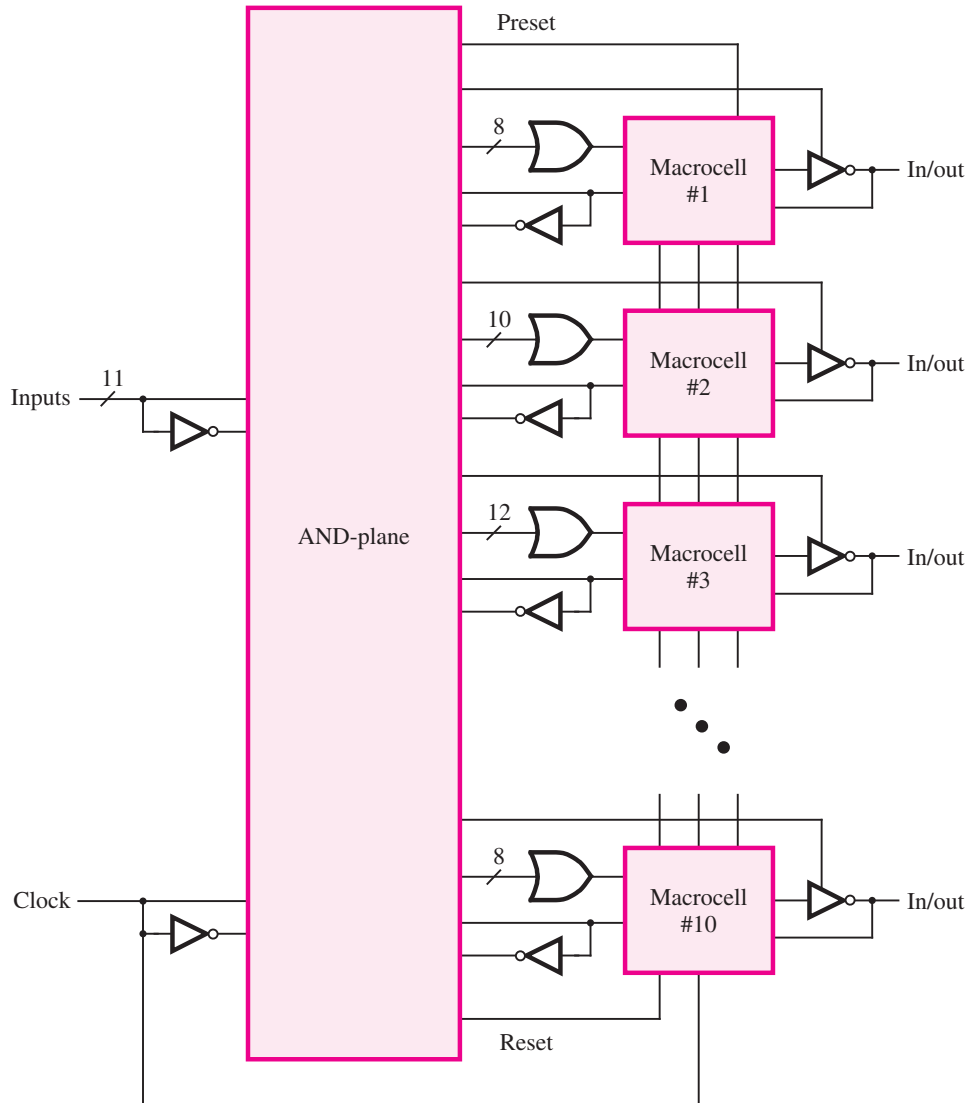
In a PLA both the AND and OR planes are programmable. Historically, the programmable switches presented two difficulties for manufacturers of these devices: they were hard to fabricate correctly, and they reduced the speed-performance of circuits implemented in the PLAs. These drawbacks led to the development of a similar device in which the AND plane is programmable, but the OR plane is fixed. Such a chip is known as a *programmable array logic (PAL)* device.

An example of a PAL with three inputs, four product terms, and two outputs is given in Figure B.28. The product terms  $P_1$  and  $P_2$  are hardwired to one OR gate, and  $P_3$  and  $P_4$  are hardwired to the other OR gate. The PAL is shown programmed to realize the two logic functions  $f_1 = x_1x_2\bar{x}_3 + \bar{x}_1x_2x_3$  and  $f_2 = \bar{x}_1\bar{x}_2 + x_1x_2x_3$ . In comparison to the PLA in Figure B.27, the PAL offers less flexibility; the PLA allows up to four product terms per OR gate, whereas the OR gates in the PAL have only two inputs. To compensate for the reduced flexibility, PALs are manufactured in a range of sizes, with various numbers of inputs and outputs, and different numbers of inputs to the OR gates.

An example of a commonly used PAL is called the 22V10 [13], which is depicted in Figure B.29. There are 11 input pins that feed the AND plane, and an additional input that can also serve as a clock input. The OR gates are of variable size, ranging from 8 to 16 inputs.



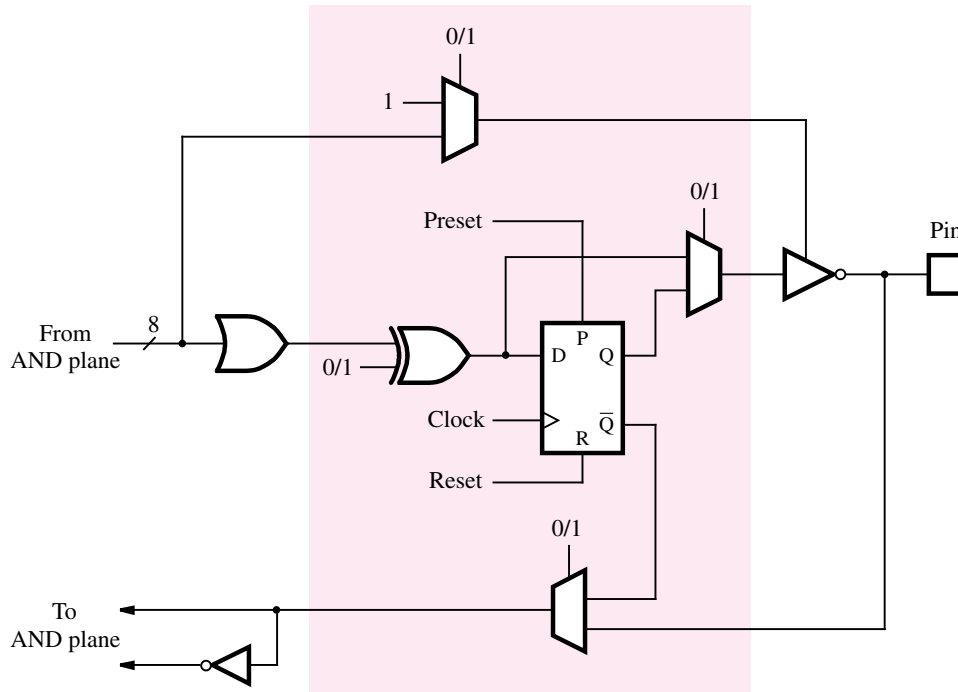
**Figure B.28** An example of a PAL.



**Figure B.29** The 22V10 PAL device.

Each output pin has a tri-state driver, which allows the pin to optionally be used as an input pin. Extra circuitry is connected to each OR gate and is referred to as a *macrocell*.

Figure B.30 shows one of the macrocells in the 22V10 PAL. It connects the OR gate to one input on an XOR gate, which feeds a D flip-flop. Since the other input to the XOR gate can be programmed to be 0 or 1, it can be used to complement the OR-gate output. A 2-to-1 multiplexer allows bypassing of the flip-flop, and the tri-state driver can be either



**Figure B.30** The 22V10 macrocell.

permanently enabled or connected to a product term from the AND plane. Either the  $\bar{Q}$  output from the flip-flop or the output of the tri-state driver can be connected to the AND plane. If the tri-state driver is disabled, then the corresponding pin can be used as an input.

A number of companies manufacture PLAs or PALs, or other, similar types of *simple PLDs (SPLDs)*, including Altera, Atmel, and Lattice. An interested reader can examine the information that these companies provide on their web sites.

### B.6.3 PROGRAMMING OF PLAs AND PALs

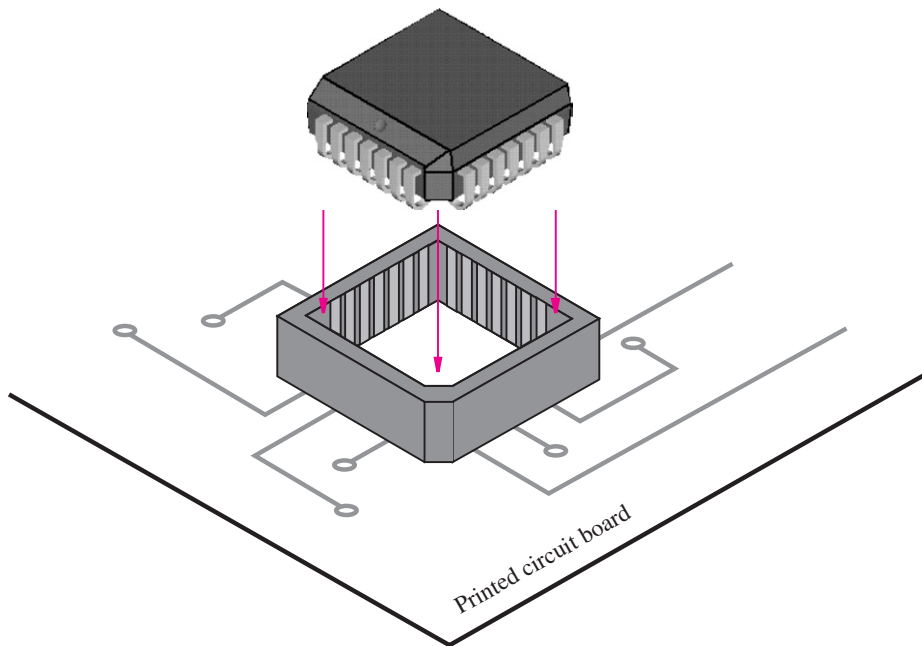
In Figures B.27 and B.28, each connection between a logic signal in a PLA or PAL and the AND/OR gates is shown as an X. We describe how these switches are implemented using transistors in Section B.10. Users' circuits are implemented in the devices by *configuring*, or *programming*, these switches. Commercial chips contain a few thousand programmable switches, hence it is not feasible for a user of these chips to specify manually the desired programming state of each switch. Instead, CAD systems are employed for this purpose. For CAD systems that support targeting of circuits to PLDs, the tools have the capability to automatically produce the necessary information for programming each of the switches in the device. A computer system that runs the CAD tools may be connected by a cable



to a dedicated *programming unit*. Once the user has completed the design of a circuit, the CAD tools generate a file, often called a *programming file* or *fuse map*, that specifies the state that each switch in the PLD should have, to realize correctly the designed circuit. The PLD is placed into the programming unit, and the programming file is transferred from the computer system. The programming unit places the chip into a special *programming mode* and configures each switch individually.

PLAs or PALs used as part of a logic circuit usually reside with other chips on a printed circuit board (PCB). The procedure described above assumes that the chip can be removed from the circuit board for programming in the programming unit. Removal is made possible by using a socket on the PCB, as illustrated in Figure B.31. Although PLAs and PALs are available in the DIP packages shown in Figure B.21a, they are also available in another popular type of package, called a *plastic-leaded chip carrier (PLCC)*, which is depicted in Figure B.31. On all four of its sides, the PLCC package has pins that “wrap around” the edges of the chip, rather than extending straight down as in the case of a DIP. The socket that houses the PLCC is attached by solder to the circuit board, and the PLCC is held in the socket by friction.

Instead of relying on a programming unit to configure a chip, it would be advantageous to be able to perform the programming while the chip is still attached to its circuit board. This method of programming is called *in-system programming (ISP)*. It is not usually provided for PLAs or PALs, but is available for the more sophisticated chips that are described below.



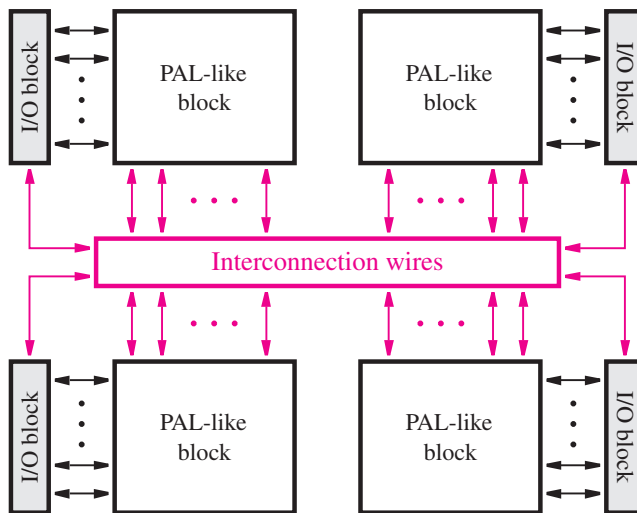
**Figure B.31** A PLCC package with socket.

### B.6.4 COMPLEX PROGRAMMABLE LOGIC DEVICES (CPLDs)

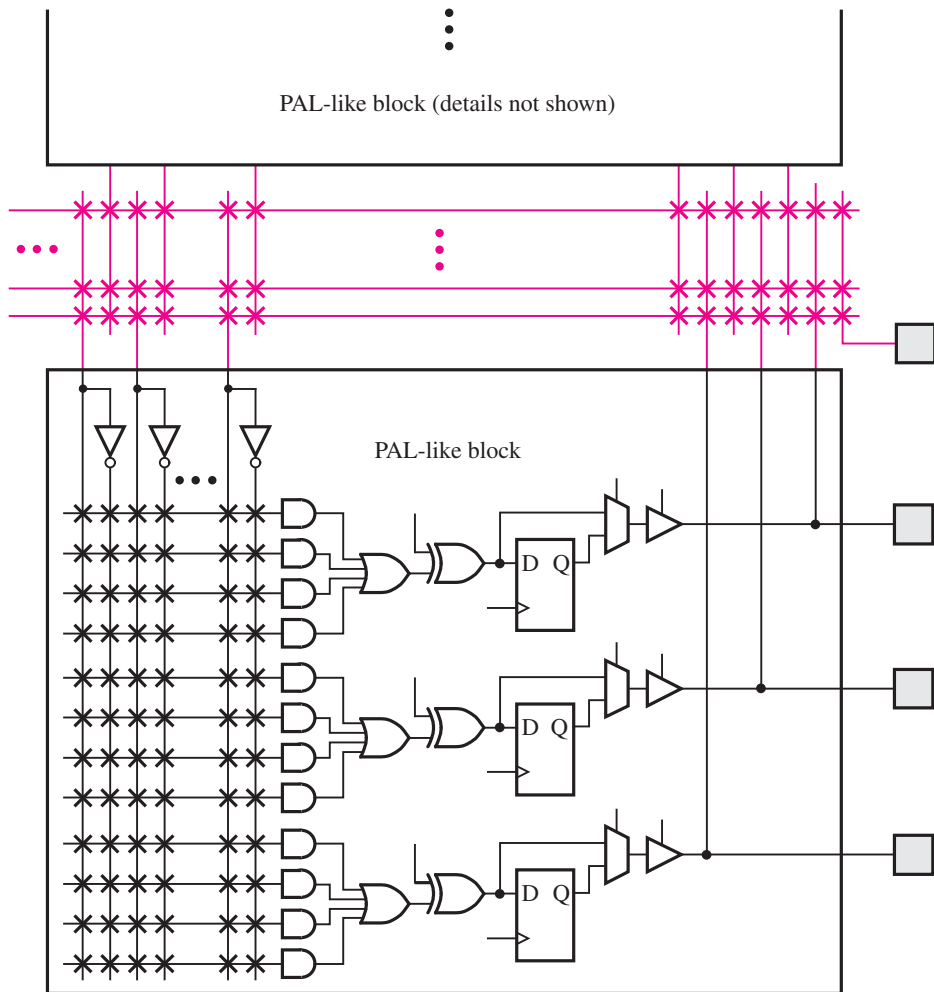
PLAs and PALs are useful for implementing a wide variety of small digital circuits. Each device can be used to implement circuits that do not require more than the number of inputs, product terms, and outputs that are provided in the particular chip. These chips are limited to fairly modest sizes, typically supporting a combined number of inputs plus outputs of not more than 32. For implementation of circuits that require more inputs and outputs, either multiple PLAs or PALs can be employed or else a more sophisticated type of chip, called a *complex programmable logic device (CPLD)*, can be used.

A CPLD comprises multiple circuit blocks on a single chip, with internal wiring resources to connect the circuit blocks. Each circuit block is similar to a PLA or a PAL; we will refer to the circuit blocks as *PAL-like blocks*. An example of a CPLD is given in Figure B.32. It includes four PAL-like blocks that are connected to a set of *interconnection wires*. Each PAL-like block is also connected to a subcircuit labeled *I/O block*, which is attached to a number of the chip's input and output pins.

Figure B.33 shows an example of the wiring structure and the connections to a PAL-like block in a CPLD. The PAL-like block includes 3 macrocells (real CPLDs typically have about 16 macrocells in a PAL-like block), each consisting of a four-input OR gate (real CPLDs usually provide between 5 and 20 inputs to each OR gate). The OR-gate output is connected to an XOR gate; the other input to this gate can be programmably connected to 1 or 0; if 1, then the XOR gate complements the OR-gate output, and if 0, then the XOR gate has no effect. The macrocell also includes a flip-flop, a multiplexer, and a tri-state driver. Each tri-state driver is connected to a pin on the CPLD package. The tri-state driver allows each pin to be used either as an output from the CPLD or as an input.



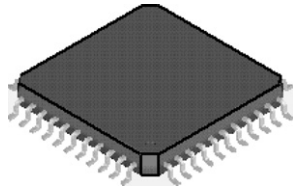
**Figure B.32** Structure of a complex programmable logic device (CPLD).



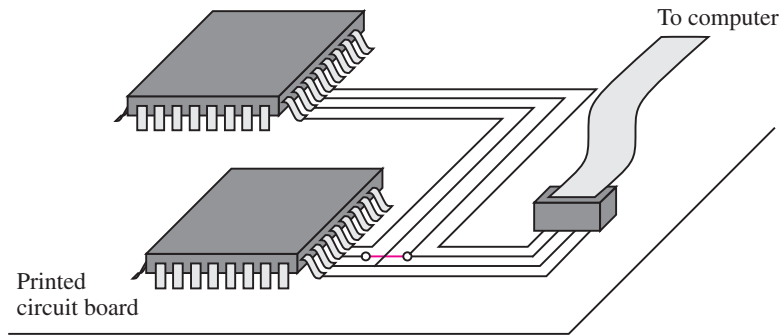
**Figure B.33** A section of the CPLD in Figure B.32.

The interconnection wiring contains programmable switches that are used to connect the PAL-like blocks. Each of the horizontal wires can be connected to some of the vertical wires that it crosses. One detail to note is that when a pin is used as an input, the macrocell associated with that pin cannot be used and is therefore wasted. Some CPLDs include additional connections between the macrocells and the interconnection wiring that avoids wasting macrocells in such situations.

Commercial CPLDs range in size from only 2 PAL-like blocks to more than 100 PAL-like blocks. They are available in a variety of packages, including the PLCC package that is shown in Figure B.31. Figure B.34a shows another type of package used to house CPLD chips, called a *quad flat pack* (QFP). Like a PLCC package, the QFP package has pins on all



(a) CPLD in a Quad Flat Pack (QFP) package



(b) JTAG programming

**Figure B.34** CPLD packaging and programming.

four sides, but whereas the PLCC's pins wrap around the edges of the package, the QFP's pins extend outward from the package, with a downward-curving shape. The QFP's pins are much thinner than those on a PLCC, which means that the package can support a larger number of pins; QFPs are available with more than 200 pins, whereas PLCCs are limited to fewer than 100 pins.

Most CPLDs contain the same type of programmable switches that are used in SPLDs, which are described in Section B.10. Programming of the switches may be accomplished using the same technique described in Section B.6.3, in which the chip is placed into a special-purpose programming unit. However, this programming method is rather inconvenient for large CPLDs for two reasons. First, large CPLDs may have more than 200 pins on the chip package, and these pins are often fragile and easily bent. Second, to be programmed in a programming unit, a socket is required to hold the chip. Sockets for large QFP packages are very expensive; they may cost more than the CPLD device itself. For these reasons, CPLD devices usually support the ISP technique. A small connector is included on the PCB that houses the CPLD, and a cable is connected between that connector and a computer system. The CPLD is programmed by transferring the programming information generated by a CAD system through the cable, from the computer into the CPLD. The circuitry on the CPLD that allows this type of programming has been standardized by the

IEEE and is usually called a *JTAG port*. It uses four wires to transfer information between the computer and the device being programmed. The term *JTAG* stands for Joint Test Action Group. Figure B.34*b* illustrates the use of a JTAG port for programming two CPLDs on a circuit board. The CPLDs are connected together so that both can be programmed using the same connection to the computer system. Once a CPLD is programmed, it retains the programmed state permanently, even when the power supply for the chip is turned off. This property is called *nonvolatile* programming.

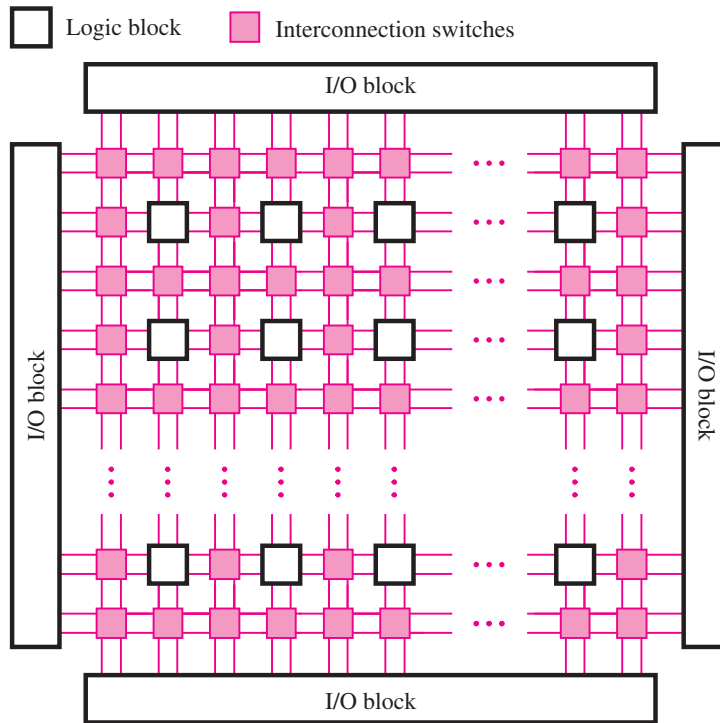
CPLDs are used for the implementation of many types of digital circuits. In industrial designs that employ some type of PLD device, CPLDs are used often, while SPLDs are becoming less common. A number of companies offer CPLDs, including Altera, Lattice, and Xilinx. Information about these products is available on the internet.

### B.6.5 FIELD-PROGRAMMABLE GATE ARRAYS

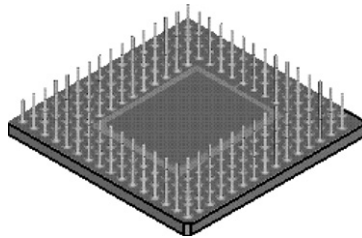
The types of chips described above, 7400 series, SPLDs, and CPLDs, are useful for implementation of small or moderately-sized logic circuits. One way to quantify a circuit's *size* is to assume that the circuit is to be built using only simple logic gates and then estimate how many of these gates are needed. A commonly used measure is the total number of two-input NAND gates that would be needed to build the circuit; this measure is often called the number of *equivalent gates*.

Using the equivalent-gates metric, the size of a 7400-series chip is simple to measure because each chip contains only simple gates. For SPLDs and CPLDs the typical measure used is that each macrocell represents about 20 equivalent gates. Thus a typical PAL that has eight macrocells can accommodate a circuit that needs up to about 160 gates, and a large CPLD that has 500 macrocells can implement circuits of up to about 10,000 equivalent gates.

By modern standards, a logic circuit with 10,000 gates is not large. To implement larger circuits, it is convenient to use a different type of chip that has a larger logic capacity. A *field-programmable gate array (FPGA)* is a programmable logic device that supports implementation of relatively large logic circuits. FPGAs are quite different from SPLDs and CPLDs because FPGAs do not contain AND or OR planes. Instead, FPGAs provide *logic elements* for implementation of the required functions. The general structure of an FPGA is illustrated in Figure B.35*a*. It contains three main types of resources: logic elements, I/O blocks for connecting to the pins of the package, and interconnection wires and switches. The logic elements are arranged in a two-dimensional array, and the interconnection wires are organized as horizontal and vertical *routing channels* between rows and columns of logic blocks. The routing channels contain wires and programmable switches that allow the logic elements to be interconnected in many ways. Figure B.35*a* shows two locations for programmable switches; the blue boxes adjacent to logic elements hold switches that connect the logic element input and output terminals to the interconnection wires, and the blue boxes that are diagonally between logic elements connect one interconnection wire to another (such as a vertical wire to a horizontal wire). Programmable connections also exist between the I/O blocks and the interconnection wires. The actual number of programmable switches and wires in an FPGA varies in commercially available chips.



(a) General structure of an FPGA



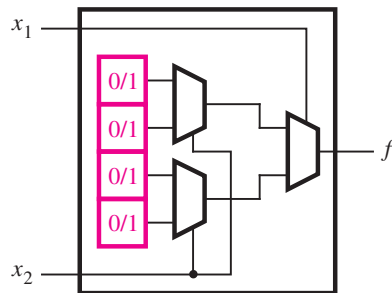
(b) Pin grid array (PGA) package (bottom view)

**Figure B.35** A field-programmable gate array (FPGA).

FPGAs can be used to implement logic circuits of more than a million equivalent gates in size. Examples of commercial FPGA products can be found on the websites provided by Altera and Xilinx, which are the leading providers of these chips. FPGA chips are available in a variety of packages, including the PLCC and QFP packages described earlier. Figure B.35b depicts another type of package, called a *pin grid array (PGA)*. A PGA package may have up to a few hundred pins in total, which extend straight outward from the bottom of

the package, in a grid pattern. Another version of this packaging technology is known as the *ball grid array (BGA)*. In a BGA the pins are small round balls, instead of posts. The advantage of BGA packages is that the pins are very small; hence more pins can be provided on a relatively small package.

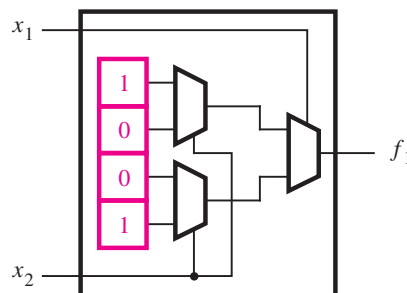
Each logic element in an FPGA typically has a small number of inputs and outputs. A variety of FPGA products are on the market, featuring different types of logic elements. The most commonly used logic element is a *lookup table (LUT)*, which contains *storage cells* that are used to store the truth table of a logic function. Each cell is capable of holding a single logic value, either 0 or 1. LUTs of various *sizes* may be created, where the size is defined by the number of inputs. Figure B.36a shows the structure of a small LUT. It has two inputs,  $x_1$  and  $x_2$ , and one output,  $f$ . It is capable of implementing any logic function of two variables. Because a two-variable truth table has four rows, this LUT has four storage cells. One cell corresponds to the output value in each row of the truth table. The input variables  $x_1$  and  $x_2$  are used as the select inputs of three multiplexers that provide the content of one of the four storage cells as the output of the LUT. We discuss storage cells in Section B.9.



(a) Circuit for a two-input LUT

$x_1$	$x_2$	$f_1$
0	0	1
0	1	0
1	0	0
1	1	1

(b)  $f_1 = \bar{x}_1 \bar{x}_2 + x_1 x_2$

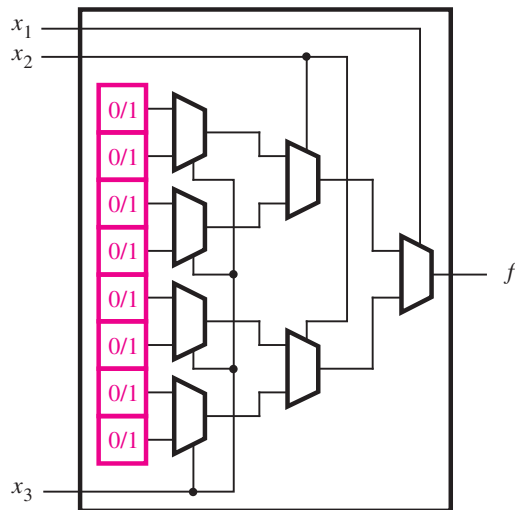


(c) Storage cell contents in the LUT

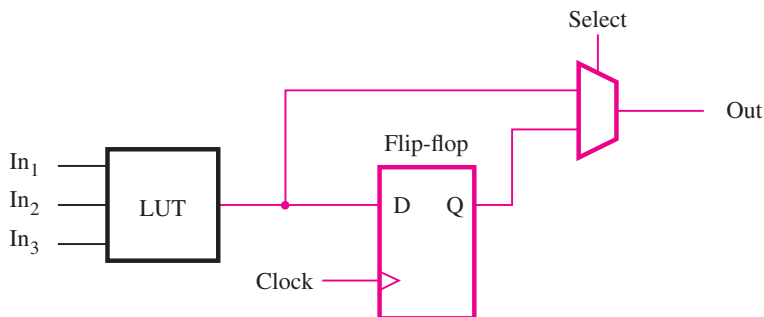
**Figure B.36** A two-input lookup table (LUT).

To see how a logic function can be realized in the two-input LUT, consider the truth table in Figure B.36*b*. The function  $f_1$  from this table can be stored in the LUT as illustrated in Figure B.36*c*. The arrangement of multiplexers in the LUT correctly realizes the function  $f_1$ . When  $x_1 = x_2 = 0$ , the output of the LUT is driven by the top storage cell, which represents the entry in the truth table for  $x_1x_2 = 00$ . Similarly, for all valuations of  $x_1$  and  $x_2$ , the logic value stored in the storage cell corresponding to the entry in the truth table chosen by the particular valuation appears on the LUT output.

Figure B.37 shows a three-input LUT. It has eight storage cells because a three-variable truth table has eight rows. In commercial FPGA chips, LUTs usually have between four and six inputs, which require 16 and 64 storage cells, respectively. In addition to a LUT, FPGA logic elements usually include a flip-flop as indicated in Figure B.38.



**Figure B.37** A three-input LUT.

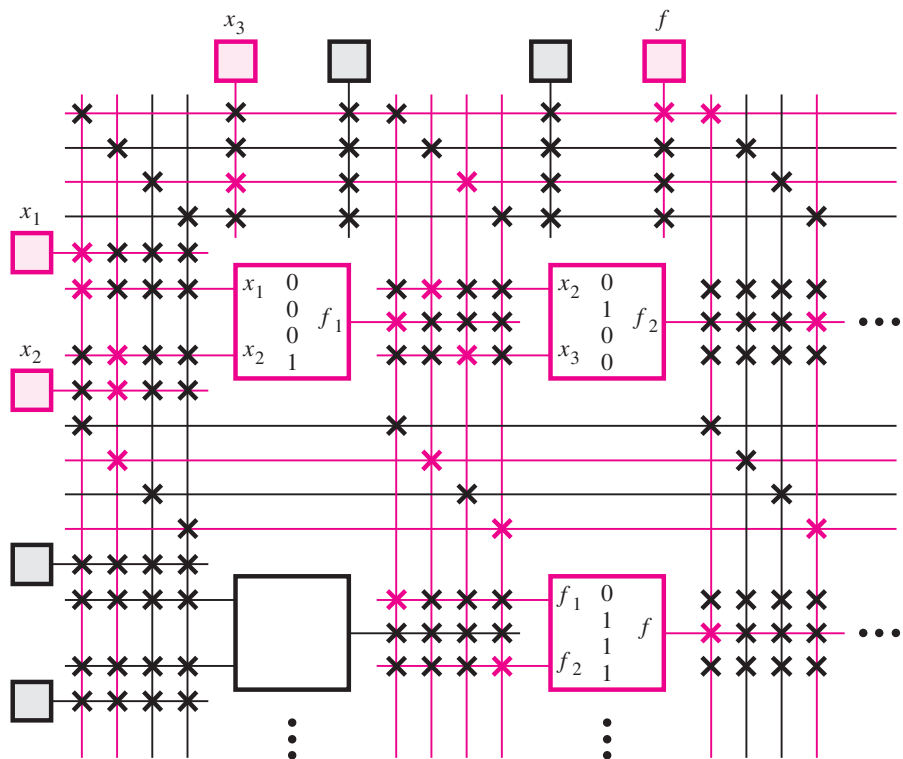


**Figure B.38** Inclusion of a flip-flop in an FPGA logic element.



For a logic circuit to be realized in an FPGA, each logic function in the circuit must be small enough to fit within a single logic element. In practice, a user's circuit is automatically translated into the required form by using CAD tools (see Chapter 10). When a circuit is implemented in an FPGA, the logic elements are programmed to realize the necessary functions and the routing channels are programmed to make the required interconnections between logic elements. FPGAs are configured by using the ISP method, which we explained in Section B.6.4. The storage cells in the LUTs in an FPGA are *volatile*, which means that they lose their stored contents whenever the power supply for the chip is turned off. Hence the FPGA has to be programmed every time power is applied. Often a small memory chip that holds its data permanently, called a *programmable read-only memory (PROM)*, is included on the circuit board that houses the FPGA. The storage cells in the FPGA are loaded automatically from the PROM when power is applied to the chips.

A small FPGA that has been programmed to implement a circuit is depicted in Figure B.39. The FPGA has two-input LUTs, and there are four wires in each routing channel. The figure shows the programmed states of both the logic elements and wiring switches in a section of the FPGA. Programmable wiring switches are indicated by an X. Each switch shown in blue is turned on and makes a connection between a horizontal and vertical



**Figure B.39** A section of a programmed FPGA.

wire. The switches shown in black are turned off. We describe how the switches are implemented by using transistors in Section B.10.1. The truth tables programmed into the logic elements in the top row of the FPGA correspond to the functions  $f_1 = x_1x_2$  and  $f_2 = \bar{x}_2x_3$ . The logic element in the bottom right of the figure is programmed to produce  $f = f_1 + f_2 = x_1x_2 + \bar{x}_2x_3$ .

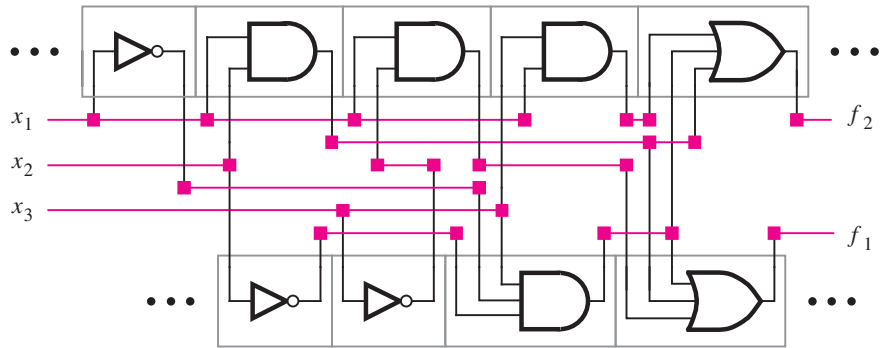
---

## B.7 CUSTOM CHIPS, STANDARD CELLS, AND GATE ARRAYS

The programmable switches in a PLD provide the important benefit of user programmability, but they consume a significant amount of space on the chip and lead to increased cost. They also result in a reduction in the speed of operation of circuits, and an increase in power consumption. In this section we will introduce some high-capacity integrated circuit technologies that do not contain programmable switches.

To provide the largest number of logic gates, highest circuit speed, or lowest power, a so-called *custom chip* can be manufactured. Whereas a PLD is prefabricated, containing logic gates and programmable switches that are programmed to realize a user's circuit, a custom chip is created from scratch. The designer of a custom chip has complete flexibility to decide the size of the chip, the number of transistors the chip contains, the placement of each transistor on the chip, and the way the transistors are connected together. The process of defining exactly where on the chip each transistor and wire is situated is called *chip layout*. For a custom chip the designer may create any layout that is desired. A custom chip requires a large amount of design effort and is therefore expensive. Consequently, such chips are produced only when standard parts like FPGAs do not meet the requirements. To justify the expense of a custom chip, the product being designed must be expected to sell in sufficient quantities to recoup the cost. Two examples of products that are usually realized with custom chips are microprocessors and memory chips.

In situations where the chip designer does not need complete flexibility for the layout of each individual transistor in a custom chip, some of the design effort can be avoided by using a technology known as *standard cells*. Chips made using this technology are often called *application-specific integrated circuits (ASICs)*. An example of a small section of an ASIC is depicted in Figure B.40. CAD tools are used to automatically place the standard cells into rows and to create interconnecting wires in the *routing channels* between the rows. Many variants of standard cells are usually provided, including basic logic gates, latches, flip-flops, and so on. The available standard cells are prebuilt and are stored in a library that can be accessed by the designer. In Figure B.40 the interconnection wires are drawn in two colors. This scheme is used because metal wires can be created on integrated circuits in multiple *layers*, which makes it possible for two wires to cross one another without creating a short circuit. The blue wires represent one layer of metal wires, and the black wires are a different layer. Each blue square represents a hard-wired connection (called a *via*) between a wire on one layer and a wire on the other layer. In current technology it is possible to have ten or more layers of metal wiring. Some of the metal layers can be placed on top of the transistors in the logic gates, resulting in a more efficient chip layout.

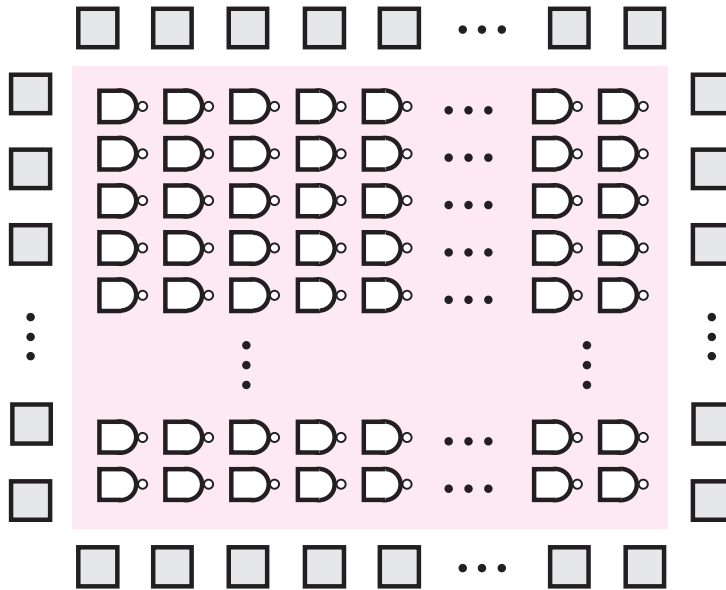


**Figure B.40** A section of two rows in a standard-cell chip.

Like a custom chip, a standard-cell chip is created from scratch according to a user's specifications. The circuitry shown in Figure B.40 implements the two logic functions that we realized in a PLA in Figure B.26, namely,  $f_1 = x_1x_2 + x_1\bar{x}_3 + \bar{x}_1\bar{x}_2x_3$  and  $f_2 = x_1x_2 + \bar{x}_1\bar{x}_2x_3 + x_1x_3$ . Because of the expense involved, a standard-cell chip would never be created for a small circuit such as this one, and thus the figure shows only a portion of a much larger chip. The layout of individual gates (standard cells) is predesigned and fixed. The chip layout can be created automatically by CAD tools because of the regular arrangement of the logic gates (cells) in rows. A typical chip has many long rows of logic gates with a large number of wires between each pair of rows. The I/O blocks around the periphery connect to the pins of the chip package, such as a QFP, PGA, or BGA package.

Another technology, similar to standard cells, is the *gate-array* technology. In a gate array parts of the chip are prefabricated, and other parts are custom fabricated for a particular user's circuit. This concept exploits the fact that integrated circuits are fabricated in a sequence of steps, some steps to create transistors and other steps to create wires to connect the transistors together. In gate-array technology, the manufacturer performs most of the fabrication steps, typically those involved in the creation of the transistors, without considering the requirements of a user's circuit. This process results in a silicon wafer of partially finished chips, called the *gate-array template*. Later the template is modified, usually by fabricating wires that connect the transistors together, to create a user's circuit in each finished chip. The gate-array approach provides cost savings in comparison to the custom-chip approach because the gate-array manufacturer can amortize the cost of chip fabrication over a large number of template wafers, all of which are identical. Many variants of gate-array technology exist. Some have relatively large logic cells, while others are configurable at the level of a single transistor.

An example of a gate-array template is given in Figure B.41. The gate array contains a two-dimensional array of logic cells. The chip's general structure is similar to a standard-cell chip except that in the gate array all logic cells are identical. Although the types of logic cells used in gate arrays vary, one common example is a two- or three-input NAND gate. In some gate arrays empty spaces exist between the rows of logic cells to accommodate the wires that will be added later to connect the logic cells together. However, most gate



**Figure B.41** A sea-of-gates gate array.

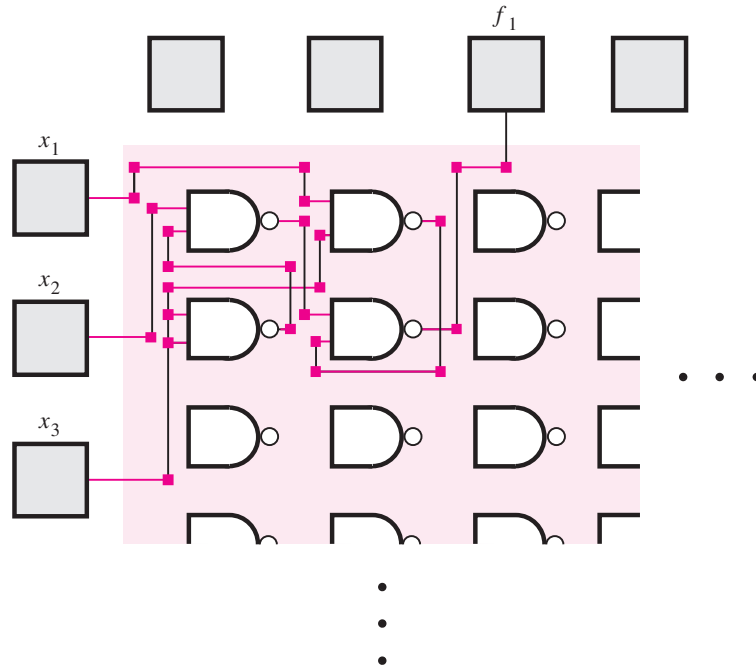
arrays do not have spaces between rows of logic cells, and the interconnection wires are fabricated on top of the logic cells. This design is possible because, as discussed for Figure B.40, metal wires can be created on a chip in multiple layers. This approach is known as the *sea-of-gates* technology. Figure B.42 depicts a small section of a gate array that has been customized to implement the logic function  $f = x_2\bar{x}_3 + x_1x_3$ . As we showed in Section 2.7, it is easy to verify that this circuit with only NAND gates is equivalent to the AND-OR form of the circuit.

## B.8 PRACTICAL ASPECTS

In this section we provide more detailed information on several aspects of digital circuits. We describe how transistors are fabricated in silicon and give a detailed explanation of how transistors operate. We discuss the robustness of logic circuits and discuss the important issues of signal propagation delays and power dissipation in logic gates.

### B.8.1 MOSFET FABRICATION AND BEHAVIOR

To understand the operation of NMOS and PMOS transistors, we need to consider how they are built in an integrated circuit. Integrated circuits are fabricated on silicon wafers. A silicon wafer is usually 6, 8, or 12 inches in diameter and is somewhat similar in appearance



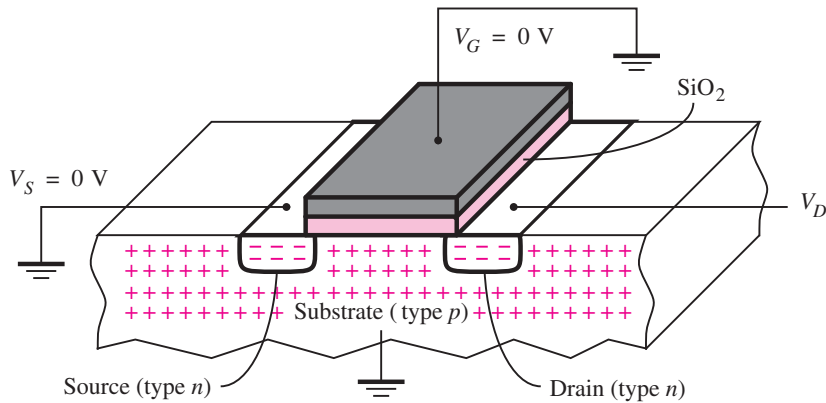
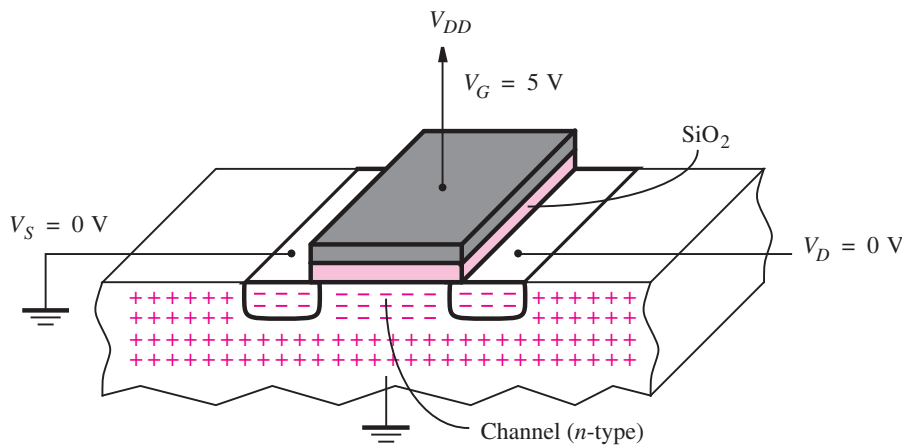
**Figure B.42** The logic function  $f_1 = x_2\bar{x}_3 + x_1x_3$  in the gate array of Figure B.41.

to an audio compact disc (CD). Many integrated circuit chips are fabricated on one wafer, and the wafer is then cut to provide the individual chips.

Silicon is an *electrical semiconductor*, which means that it can be manipulated such that it sometimes conducts electrical current and at other times does not. A transistor is fabricated by creating areas in the silicon substrate that have an excess of either positive or negative electrical charge. Negatively charged areas are called *type n*, and positively charged areas are *type p*. Figure B.43 illustrates the structure of an NMOS transistor. It has *type n* silicon for both the source and drain terminals, and *type p* for the substrate terminal. Metal wiring is used to make electrical connections to the source and drain terminals.

When MOSFETs were invented, the gate terminal was made of metal. Now a material known as *polysilicon* is used. Like metal, polysilicon is a conductor. The gate is electrically isolated from the rest of the transistor by a layer of silicon dioxide ( $\text{SiO}_2$ ), which is a type of glass that acts as an electrical insulator between the gate terminal and the substrate of the transistor. The transistor's operation is governed by electrical fields caused by voltages applied to its terminals, as discussed below.

In Figure B.43 the voltage levels applied at the source, gate, and drain terminals are labeled  $V_S$ ,  $V_G$ , and  $V_D$ , respectively. Consider first the situation depicted in Figure B.43a in which both the source and gate are connected to *Gnd* ( $V_S = V_G = 0$  V). The *type n* source and *type n* drain are isolated from one another by the *type p* substrate. In electrical terms two

(a) When  $V_{GS} = 0$  V, the transistor is off(b) When  $V_{GS} = 5$  V, the transistor is on**Figure B.43** Physical structure of an NMOS transistor.

diodes exist between the source and drain. One diode is formed by the  $p$ - $n$  junction between the substrate and source, and the other diode is formed by the  $p$ - $n$  junction between the substrate and drain. These back-to-back diodes represent a very high resistance (about  $10^{12} \Omega$  [1]) between the drain and source that prevents current flow. We say that the transistor is *turned off*, or *cut off*, in this state.

Next consider the effect of increasing the voltage at the gate terminal with respect to the voltage at the source. Let  $V_{GS}$  represent the gate-to-source voltage. If  $V_{GS}$  is greater

than a certain minimum positive voltage, called the *threshold voltage*  $V_T$ , then the transistor changes from an open switch to a closed switch, as explained below. The exact level of  $V_T$  depends on many factors, but it is typically about  $0.2 V_{DD}$ .

The transistor's state when  $V_{GS} > V_T$  is illustrated in Figure B.43b. The gate terminal is connected to  $V_{DD}$ , resulting in  $V_{GS} = 5$  V. The positive voltage on the gate attracts free electrons that exist in the type  $n$  source terminal, as well as in other areas of the transistor, toward the gate. Because the electrons cannot pass through the layer of glass under the gate, they gather in the region of the substrate between the source and drain, which is called the *channel*. This concentration of electrons *inverts* the silicon in the area of the channel from type  $p$  to type  $n$ , which effectively connects the source and the drain. The size of the channel is determined by the length and width of the gate. The channel length  $L$  is the dimension of the gate between the source and drain, and the channel width  $W$  is the other dimension. The channel can also be thought of as having a depth, which is dependent on the applied voltages at the source, gate, and drain.

No current can flow through the gate node of the transistor, due to the layer of glass that insulates the gate from the substrate. A current  $I_D$  may flow from the drain node to the source. For a fixed value of  $V_{GS} > V_T$ , the value of  $I_D$  depends on the voltage applied across the channel  $V_{DS}$ . If  $V_{DS} = 0$  V, then no current flows. As  $V_{DS}$  is increased,  $I_D$  increases approximately linearly with the applied  $V_{DS}$ , as long as  $V_D$  is sufficiently small to provide at least  $V_T$  volts across the drain end of the channel, that is  $V_{GD} > V_T$ . In this range of voltages, namely,  $0 < V_{DS} < (V_{GS} - V_T)$ , the transistor is said to operate in the *triode region*, also called the *linear region*. The relationship between voltage and current is approximated by the equation

$$I_D = k'_n \frac{W}{L} \left[ (V_{GS} - V_T)V_{DS} - \frac{1}{2}V_{DS}^2 \right] \quad \text{[B.1]}$$

The symbol  $k'_n$  is called the *process transconductance parameter*. It is a constant that depends on the technology being used and has the units  $A/V^2$ .

As  $V_D$  is increased, the current flow through the transistor increases, as given by Equation B.1, but only to a certain point. When  $V_{DS} = V_{GS} - V_T$ , the current reaches its maximum value. For larger values of  $V_{DS}$ , the transistor is no longer operating in the triode region. Since the current is at its saturated (maximum) value, we say that the transistor is in the *saturation region*. The current is now independent of  $V_{DS}$  and is given by the expression

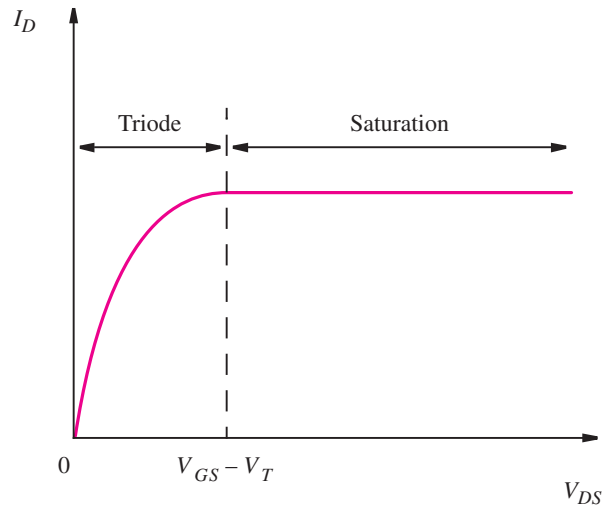
$$I_D = \frac{1}{2} k'_n \frac{W}{L} (V_{GS} - V_T)^2 \quad \text{[B.2]}$$

Figure B.44 shows the shape of the current-voltage relationship in the NMOS transistor for a fixed value of  $V_{GS} > V_T$ . The figure indicates the point at which the transistor leaves the triode region and enters the saturation region, which occurs at  $V_{DS} = V_{GS} - V_T$ .

---

**Example B.3** Assume the values  $k'_n = 60 \mu\text{A}/\text{V}^2$ ,  $W/L = 2.0 \mu\text{m}/0.5 \mu\text{m}$ ,  $V_S = 0$  V,  $V_G = 5$  V, and  $V_T = 1$  V. If  $V_D = 2.5$  V, the current in the transistor is given by Equation B.1 as  $I_D \approx 1.7$  mA. If  $V_D = 5$  V, the saturation current is calculated using Equation B.2 as  $I_D \approx 2$  mA.

---



**Figure B.44** The current-voltage relationship in the NMOS transistor.

### The PMOS Transistor

The behavior of PMOS transistors is the same as for NMOS except that all voltages and currents are reversed. The source terminal of the PMOS transistor is the terminal with the higher voltage level (recall that for an NMOS transistor the source terminal is the one with the lower voltage level), and the threshold voltage required to turn the transistor on has a negative value. PMOS transistors have the same physical construction as NMOS transistors except that wherever the NMOS transistor has type  $n$  silicon, the PMOS transistor has type  $p$ , and vice versa. For a PMOS transistor the equivalent of Figure B.43a is to connect both the source and gate nodes to  $V_{DD}$ , in which case the transistor is turned off. To turn the PMOS transistor on, equivalent to Figure B.43b, we would set the gate node to  $Gnd$ , resulting in  $V_{GS} = -5$  V.

Because the channel is type  $p$  silicon, instead of type  $n$ , the physical mechanism for current conduction in PMOS transistors is different from that in NMOS transistors. A detailed discussion of this concept is beyond the scope of this book, but one implication has to be mentioned. Equations B.1 and B.2 use the parameter  $k'_n$ . The corresponding parameter for a PMOS transistor is  $k'_p$ , but current flows more readily in type  $n$  silicon than in type  $p$ , with the result that in a typical technology  $k'_p \approx 0.4 \times k'_n$ . For a PMOS transistor to have current capacity equal to that of an NMOS transistor, we must use  $W/L$  of about two to three times larger in the PMOS transistor. In logic gates the sizes of NMOS and PMOS transistors are usually chosen to account for this factor.

## B.8.2 MOSFET ON-RESISTANCE

In Section B.1 we considered MOSFETs as ideal switches that have infinite resistance when turned off and zero resistance when on. The actual resistance in the channel when the



transistor is turned on, referred to as the *on-resistance*, is given by  $V_{DS}/I_D$ . Using Equation B.1 we can calculate the on-resistance in the triode region, as shown below.

**Example B.4** Consider a CMOS inverter in which the input voltage  $V_x$  is equal to 5 V. The NMOS transistor is turned on, and the output voltage  $V_f$  is close to 0 V. Hence  $V_{DS}$  for the NMOS transistor is close to zero and the transistor is operating in the triode region. In the curve in Figure B.44, the transistor is operating at a point very close to the origin. Although the value of  $V_{DS}$  is small, it is not exactly zero. In the next section we explain that  $V_{DS}$  would typically be about 0.1 mV. Hence the current  $I_D$  is not exactly zero; it is defined by Equation B.1. In this equation we can ignore the term involving  $V_{DS}^2$  because  $V_{DS}$  is small. In this case the on-resistance is approximated by

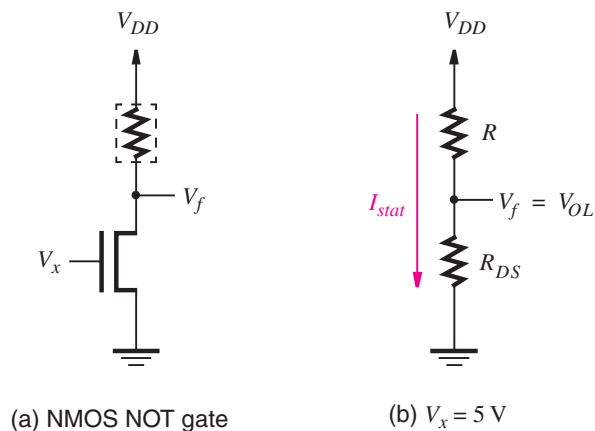
$$R_{DS} = V_{DS}/I_D = 1/\left[k'_n \frac{W}{L} (V_{GS} - V_T)\right] \quad \text{[B.3]}$$

Assuming the values  $k'_n = 60 \mu\text{A}/\text{V}^2$ ,  $W/L = 2.0 \mu\text{m}/0.5 \mu\text{m}$ ,  $V_{GS} = 5 \text{ V}$ , and  $V_T = 1 \text{ V}$ , we get  $R_{DS} \approx 1 \text{ k}\Omega$ .

### B.8.3 VOLTAGE LEVELS IN LOGIC GATES

In Figure B.1 we showed that the logic values are represented by a range of voltage levels. We now consider the issue of voltage levels more carefully.

The high and low voltage levels in a logic family can be characterized by the operation of its basic inverter. Figure B.45a reproduces the circuit in Figure B.5 for an inverter built



**Figure B.45** Voltage levels in the NMOS inverter.

with NMOS technology. When  $V_x = 0$  V, the NMOS transistor is turned off. No current flows; hence  $V_f = 5$  V. When  $V_x = V_{DD}$ , the NMOS transistor is turned on. To calculate the value of  $V_f$ , we can represent the NMOS transistor by a resistor with the value  $R_{DS}$ , as illustrated in Figure B.45b. Then  $V_f$  is given by the voltage divider

$$V_f = V_{DD} \frac{R_{DS}}{R_{DS} + R}$$

---

**Assume** that  $R = 25$  k $\Omega$ . Using the result from Example B.4,  $R_{DS} = 1$  k $\Omega$ , which gives  $V_f \approx 0.2$  V.

### Example B.5

As indicated in Figure B.45b, a current  $I_{stat}$  flows through the NMOS inverter under the static condition  $V_x = V_{DD}$ . This current is given by

$$I_{stat} = V_f / R_{DS} = 0.2 \text{ V} / 1 \text{ k}\Omega = 0.2 \text{ mA}$$

This static current has important implications, which we discuss in Section B.8.6.

In practice, the pull-up device  $R$  is usually implemented using a PMOS transistor. Such circuits are referred to as *pseudo-NMOS circuits*. They are fully compatible with CMOS circuits; hence a single chip may contain both CMOS and pseudo-NMOS gates. Example B.17 discusses a circuit for a pseudo-NMOS inverter and shows how to calculate its output voltage levels.

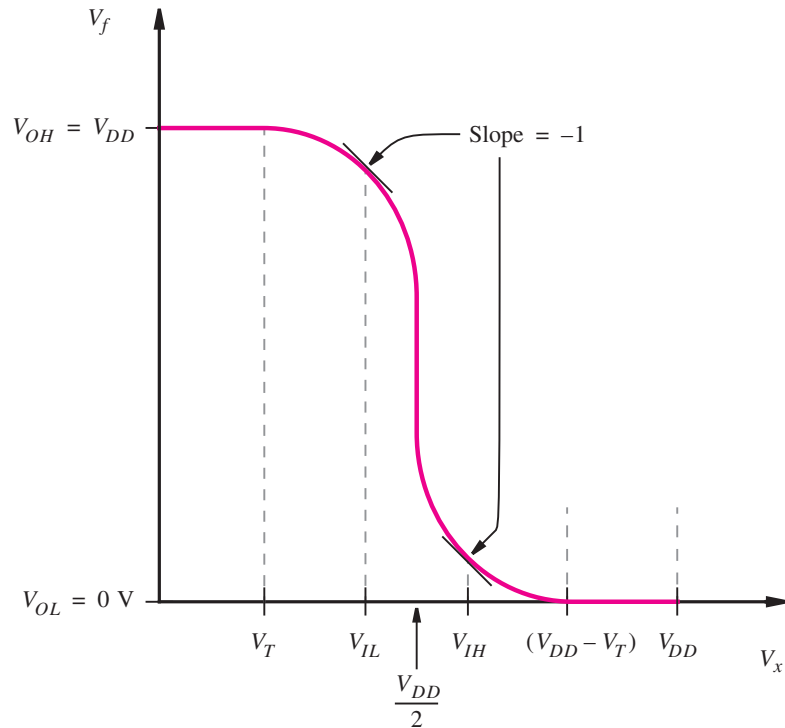
---

### The CMOS Inverter

It is customary to use the symbols  $V_{OH}$  and  $V_{OL}$  to characterize the voltage levels in a logic circuit. The meaning of  $V_{OH}$  is the voltage produced when the output is high. Similarly,  $V_{OL}$  refers to the voltage produced when the output is low. As discussed above, in the NMOS inverter  $V_{OH} = V_{DD}$  and  $V_{OL}$  is about 0.2 V.

Consider again the CMOS inverter in Figure B.12a. Its output-input voltage relationship is summarized by the *voltage transfer characteristic* shown in Figure B.46. The curve gives the steady-state value of  $V_f$  for each value of  $V_x$ . When  $V_x = 0$  V, the NMOS transistor is off. No current flows; hence  $V_f = V_{OH} = V_{DD}$ . When  $V_x = V_{DD}$ , the PMOS transistor is off, no current flows, and  $V_f = V_{OL} = 0$  V. For completeness we should mention that even when a transistor is turned off, a small current, called the *leakage* current, may flow through it. This current has a slight effect on  $V_{OH}$  and  $V_{OL}$ . For example, a typical value of  $V_{OL}$  is 0.1 mV, rather than 0 V [1].

Figure B.46 includes labels at the points where the output voltage begins to change from high to low, and vice versa. The voltage  $V_{IL}$  represents the point where the output voltage is high and the slope of the curve equals  $-1$ . This voltage level is defined as the maximum input voltage level that the inverter will interpret as low, hence producing a high output. Similarly, the voltage  $V_{IH}$ , which is the other point on the curve where the slope equals  $-1$ , is the minimum input voltage level that the inverter will interpret as high, hence producing a low output. The parameters  $V_{OH}$ ,  $V_{OL}$ ,  $V_{IL}$ , and  $V_{IH}$  are important for quantifying the robustness of a logic family, as discussed below.



**Figure B.46** The voltage transfer characteristic for the CMOS inverter.

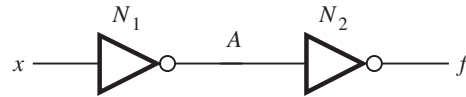
### B.8.4 NOISE MARGIN

Consider the two NOT gates shown in Figure B.47a. Let us refer to the gates on the left and right as  $N_1$  and  $N_2$ , respectively. Electronic circuits are constantly subjected to random perturbations, called *noise*, which can alter the output voltage levels produced by the gate  $N_1$ . It is essential that this noise not cause the gate  $N_2$  to misinterpret a low logic value as a high one, or vice versa. Consider the case where  $N_1$  produces its low voltage level  $V_{OL}$ . The presence of noise may alter the voltage level, but as long as it remains less than  $V_{IL}$ , it will be interpreted correctly by  $N_2$ . The ability to tolerate noise without affecting the correct operation of the circuit is known as *noise margin*. For the low output voltage, we define the low *noise margin* as

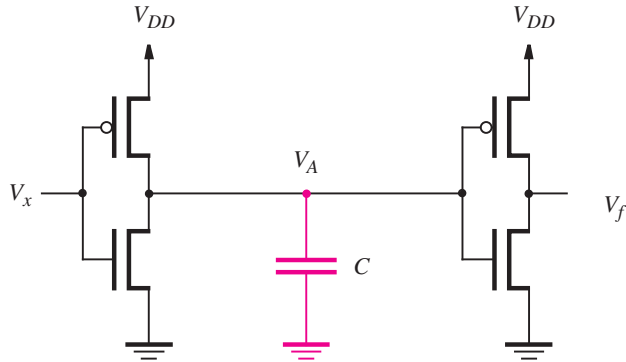
$$NM_L = V_{IL} - V_{OL}$$

A similar situation exists when  $N_1$  produces its high output voltage  $V_{OH}$ . Any existing noise in the circuit may alter the voltage level, but it will be interpreted correctly by  $N_2$  as long as the voltage is greater than  $V_{IH}$ . The high noise margin is defined as

$$NM_H = V_{OH} - V_{IH}$$



(a) A NOT gate driving another NOT gate

(b) The capacitive load at node *A***Figure B.47** Parasitic capacitance in integrated circuits.

For a given technology the voltage transfer characteristic of the basic inverter determines the levels  $V_{OH}$ ,  $V_{OL}$ ,  $V_{IL}$ , and  $V_{IH}$ . For CMOS we showed in Figure B.46 that  $V_{OH} = V_{DD}$  and  $V_{OL} = 0$  V. By finding the two points where the slope of the voltage transfer characteristic is equal to  $-1$ , it can be shown [1] that  $V_{IL} \cong \frac{1}{8}(3V_{DD} + 2V_T)$  and  $V_{IH} \cong \frac{1}{8}(5V_{DD} - 2V_T)$ . For the typical value  $V_T = 0.2 V_{DD}$ , this gives

$$NM_L = NM_H = 0.425 \times V_{DD}$$

Hence the available noise margin depends on the power supply voltage level. For  $V_{DD} = 5$  V, the noise margin is 2.1 V, and for  $V_{DD} = 3.3$  V, the noise margin is 1.4 V.

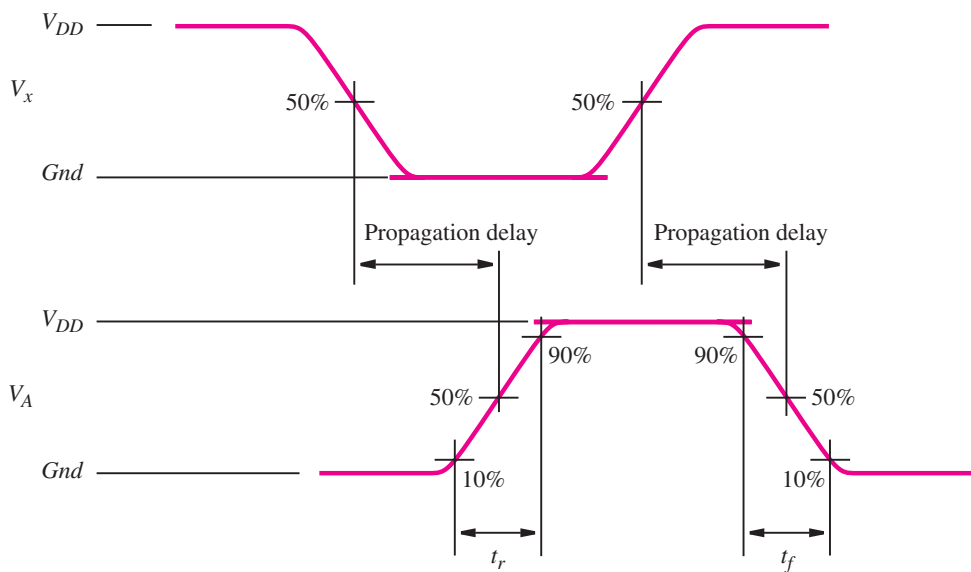
**Example B.6****B.8.5 DYNAMIC OPERATION OF LOGIC GATES**

In Figure B.47a the node between the two gates is labeled *A*. Because of the way in which transistors are constructed in silicon,  $N_2$  has the effect of contributing to a capacitive load at node *A*. Figure B.43 shows that transistors are constructed by using several layers of different materials. Wherever two types of material meet or overlap inside the transistor, a

capacitor may be effectively created. This capacitance is called *parasitic*, or *stray*, capacitance because it results as an undesired side effect of transistor fabrication. In Figure B.47 we are interested in the capacitance that exists at node *A*. A number of parasitic capacitors are attached to this node, some caused by  $N_1$  and others caused by  $N_2$ . One significant parasitic capacitor exists between the input of inverter  $N_2$  and ground. The value of this capacitor depends on the sizes of the transistors in  $N_2$ . Each transistor contributes a *gate capacitance*,  $C_g = W \times L \times C_{ox}$ . The parameter  $C_{ox}$ , called the *oxide capacitance*, is a constant for the technology being used and has the units  $fF/\mu m^2$ . Additional capacitance is caused by the transistors in  $N_1$  and by the metal wiring that is attached to node *A*. It is possible to represent all of the parasitic capacitance by a single equivalent capacitance between node *A* and ground [2]. In Figure B.47b this equivalent capacitance is labeled *C*.

The existence of stray capacitance has a negative effect on the speed of operation of logic circuits. Voltage across a capacitor cannot change instantaneously. The time needed to charge or discharge a capacitor depends on the size of the capacitance *C* and on the amount of current through the capacitor. In the circuit of Figure B.47b, when the PMOS transistor in  $N_1$  is turned on, the capacitor is charged to  $V_{DD}$ ; it is discharged when the NMOS transistor is turned on. In each case the current flow  $I_D$  through the involved transistor and the value of *C* determine the rate of charging and discharging the capacitor.

Chapter 2 introduced the concept of a timing diagram, and Figure 2.10 shows a timing diagram in which waveforms have perfectly vertical edges in transition from one logic level to the other. In real circuits, waveforms do not have this “ideal” shape, but instead have the appearance of those in Figure B.48. The figure gives a waveform for the input  $V_x$  in Figure B.47b and shows the resulting waveform at node *A*. We assume that  $V_x$  is initially at



**Figure B.48** Voltage waveforms for logic gates.

the voltage level  $V_{DD}$  and then makes a transition to 0. Once  $V_x$  reaches a sufficiently low voltage,  $N_1$  begins to drive voltage  $V_A$  toward  $V_{DD}$ . Because of the parasitic capacitance,  $V_A$  cannot change instantaneously and a waveform with the shape indicated in the figure results. The time needed for  $V_A$  to change from low to high is called the *rise time*,  $t_r$ , which is defined as the time elapsed from when  $V_A$  is at 10 percent of  $V_{DD}$  until it reaches 90 percent of  $V_{DD}$ . Figure B.48 also defines the total amount of time needed for the change at  $V_x$  to cause a change in  $V_A$ . This interval is called the *propagation delay*, often written  $t_p$ , of the inverter. It is the time from when  $V_x$  reaches 50 percent of  $V_{DD}$  until  $V_A$  reaches the same level.

After remaining at 0 V for some time,  $V_x$  then changes back to  $V_{DD}$ , causing  $N_1$  to discharge  $C$  to  $Gnd$ . In this case the transition time at node  $A$  pertains to a change from high to low, which is referred to as the *fall time*,  $t_f$ , from 90 percent of  $V_{DD}$  to 10 percent of  $V_{DD}$ . As indicated in the figure, there is a corresponding propagation delay for the new change in  $V_x$  to affect  $V_A$ . In a given logic gate, the relative sizes of the PMOS and NMOS transistors are usually chosen such that  $t_r$  and  $t_f$  have about the same value.

Equations B.1 and B.2 specify the amount of current flow through an NMOS transistor. Given the value of  $C$  in Figure B.47, it is possible to calculate the propagation delay for a change in  $V_A$  from high to low. For simplicity, assume that  $V_x$  is initially 0 V; hence the PMOS transistor is turned on, and  $V_A = 5$  V. Then  $V_x$  changes to  $V_{DD}$  at time 0, causing the PMOS transistor to turn off and the NMOS to turn on. The propagation delay is defined as the time required to discharge  $C$  through the NMOS transistor to the voltage  $V_{DD}/2$ . When  $V_x$  first changes to  $V_{DD}$ ,  $V_A = 5$  V; hence the NMOS transistor will have  $V_{DS} = V_{DD}$  and will be in the saturation region. The current  $I_D$  is given by Equation B.2. Once  $V_A$  drops below  $V_{DD} - V_T$ , the NMOS transistor will enter the triode region where  $I_D$  is given by Equation B.1. For our purposes, we can approximate the current flow as  $V_A$  changes from  $V_{DD}$  to  $V_{DD}/2$  by finding the average of the values given by Equation B.2 with  $V_{DS} = V_{DD}$  and Equation B.1 with  $V_{DS} = V_{DD}/2$ . Using the basic expression for the time needed to charge a capacitor (see Example B.15), we have

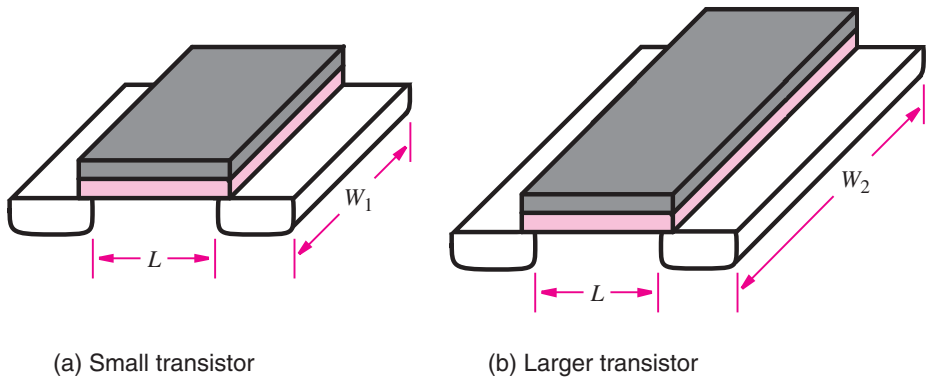
$$t_p = \frac{C\Delta V}{I_D} = \frac{CV_{DD}/2}{I_D}$$

Substituting for the average value of  $I_D$  as discussed above, yields [1]

$$t_p \cong \frac{1.7 C}{k'_n \frac{W}{L} V_{DD}} \quad \text{[B.4]}$$

This expression specifies that the speed of the circuit depends both on the value of  $C$  and on the dimensions of the transistor. The delay can be reduced by making  $C$  smaller or by making the ratio  $W/L$  larger. The expression shows the propagation time when the output changes from a high level to a low level. The low-to-high propagation time is given by the same expression but using  $k'_p$  and  $W/L$  of the PMOS transistor.

In logic circuits,  $L$  is usually set to the minimum value that is permitted according to the specifications of the fabrication technology used. The value of  $W$  is chosen depending on the amount of current flow, hence propagation delay, that is desired. Figure B.49 illustrates two sizes of transistors. Part (a) depicts a minimum-size transistor, which would be used in a circuit wherever capacitive loading is small or where speed of operation is not critical. Figure B.49b shows a larger transistor, which has the same length as the transistor in part (a)



**Figure B.49** Transistor sizes.

but a larger width. There is a trade-off involved in choosing transistor sizes, because a larger transistor takes more space on a chip than a smaller one. Also, increasing  $W$  not only increases the amount of current flow in the transistor but also results in an increase in the parasitic capacitance (recall that the capacitance  $C_g$  between the gate terminal and ground is proportional to  $W \times L$ ), which tends to offset some of the expected improvement in performance. In logic circuits large transistors are used where high capacitive loads must be driven and where signal propagation delays must be minimized.

---

**Example B.7** In the circuit in Figure B.47, assume that  $C = 70$  fF and that  $W/L = 2.0 \mu\text{m}/0.5 \mu\text{m}$ . Also,  $k'_n = 60 \mu\text{A}/\text{V}^2$  and  $V_{DD} = 5$  V. Using Equation B.4, the high-to-low propagation delay of the inverter is  $t_p \approx 0.1$  ns.

---

### B.8.6 POWER DISSIPATION IN LOGIC GATES

In an electronic circuit it is important to consider the amount of electrical power consumed by the transistors. Integrated circuit technology allows fabrication of billions of transistors on a single chip; hence the amount of power used by an individual transistor must be small. Power dissipation is an important consideration in all applications of logic circuits, but it is crucial in situations that involve battery-operated equipment, such as portable computers and the like.

Consider again the NMOS inverter in Figure B.45. When  $V_x = 0$ , no current flows and hence no power is used. But when  $V_x = 5$  V, power is consumed because of the current  $I_{stat}$ . The power consumed in the steady state is given by  $P_S = I_{stat} V_{DD}$ . In Example B.5 we calculated  $I_{stat} = 0.2$  mA. The power consumed is then  $P_S = 0.2 \text{ mA} \times 5 \text{ V} = 1.0$  mW. If we assume that a chip contains, say, the equivalent of 10,000 inverters, then the total

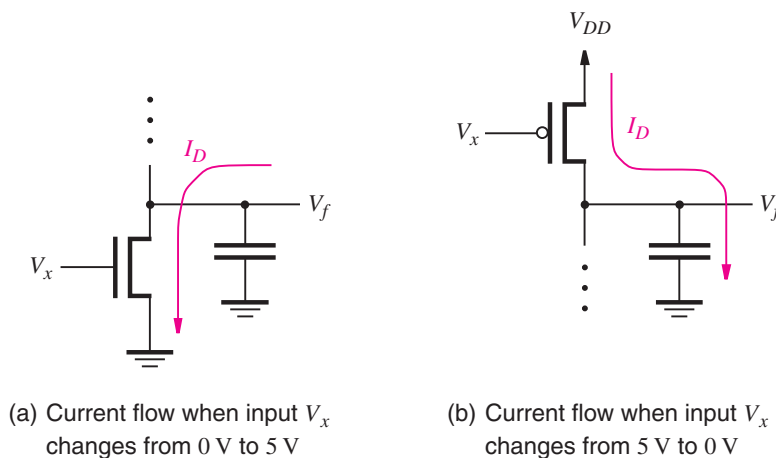
power consumption is 10 W! Because of this large power consumption, NMOS-style gates are used only in special-purpose applications, which we discuss in Section B.8.9.

To distinguish between power consumed during steady-state conditions and power consumed when signals are changing, it is customary to define two types of power. *Static power* is dissipated by the current that flows in the steady state, and *dynamic power* is consumed when the current flows because of changes in signal levels. NMOS circuits consume static power as well as dynamic power, while CMOS circuits consume mostly dynamic power. Note that we mentioned in Section B.8.3 that a small amount of current, called *leakage* current, flows through transistors that are turned off. Although this leakage current causes static power dissipation even when using CMOS circuits, we do not consider this effect further in our discussion.

Consider the CMOS inverter presented in Figure B.12a. When the input  $V_x$  is low, no current flows because the NMOS transistor is off. When  $V_x$  is high, the PMOS transistor is off and again no current flows. Hence no current flows in a CMOS circuit under steady-state conditions. Current does flow in CMOS circuits, however, for a short time when signals change from one voltage level to another.

Figure B.50a depicts the following situation. Assume that  $V_x$  has been at 0 V for some time; hence  $V_f = 5$  V. Now let  $V_x$  change to 5 V. The NMOS transistor turns on, and it pulls  $V_f$  toward *Gnd*. Because of the parasitic capacitance  $C$  at node  $f$ , voltage  $V_f$  does not change instantaneously, and current  $I_D$  flows through the NMOS transistor for a short time while the capacitor is being discharged. A similar situation occurs when  $V_x$  changes from 5 V to 0, as illustrated in Figure B.50b. Here the capacitor  $C$  initially has 0 volts across it and is then charged to 5 V by the PMOS transistor. Current flows from the power supply through the PMOS transistor while the capacitor is being charged.

The voltage transfer characteristic for the CMOS inverter, shown in Figure B.46, indicates that a range of input voltage  $V_x$  exists for which both transistors in the inverter are



**Figure B.50** Dynamic current flow in CMOS circuits.



turned on. Within this voltage range, specifically  $V_T < V_x < (V_{DD} - V_T)$ , current flows from  $V_{DD}$  to  $Gnd$  through both transistors. This current is often referred to as the *short-circuit current* in the gate. In comparison to the amount of current used to (dis)charge the capacitor  $C$ , the short-circuit current is negligible in most cases.

The power used by a single CMOS inverter is extremely small. Consider again the situation in Figure B.50a when  $V_f = V_{DD}$ . The amount of energy stored in the capacitor is equal to  $CV_{DD}^2/2$  (see Example B.12). When the capacitor is discharged to 0 V, this stored energy is dissipated in the NMOS transistor. Similarly, for the situation in Figure B.50b, the energy  $CV_{DD}^2/2$  is dissipated in the PMOS transistor when  $C$  is charged up to  $V_{DD}$ . Thus for each cycle in which the inverter charges and discharges  $C$ , the amount of energy dissipated is equal to  $CV_{DD}^2$ . Since power is defined as energy used per unit time, the power dissipated in the inverter is the product of the energy used in one discharge/charge cycle times the number of such cycles per second,  $f$ . Hence the dynamic power consumed is

$$P_D = fCV_{DD}^2$$

In practice, the total amount of dynamic power used in CMOS circuits is significantly lower than the total power needed in other technologies, such as NMOS. For this reason, virtually all large integrated circuits fabricated today are based on CMOS technology.

---

**Example B.8** For a CMOS inverter, assume that  $C = 70$  fF and  $f = 100$  MHz. The dynamic power consumed by the gate is  $P_D = 175$   $\mu$ W. If we assume that a chip contains the equivalent of 10,000 inverters and that, on average, 20 percent of the gates change values at any given time, then the total amount of dynamic power used in the chip is  $P_D = 0.2 \times 10,000 \times 175$   $\mu$ W = 0.35 W.

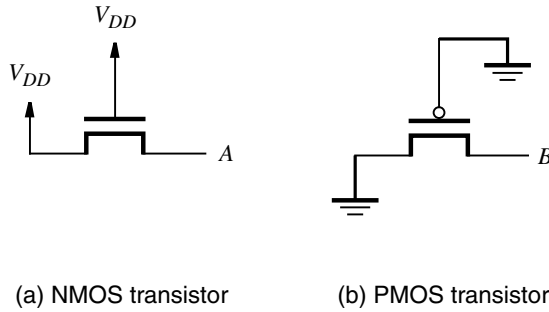
---

### B.8.7 PASSING 1s AND 0s THROUGH TRANSISTOR SWITCHES

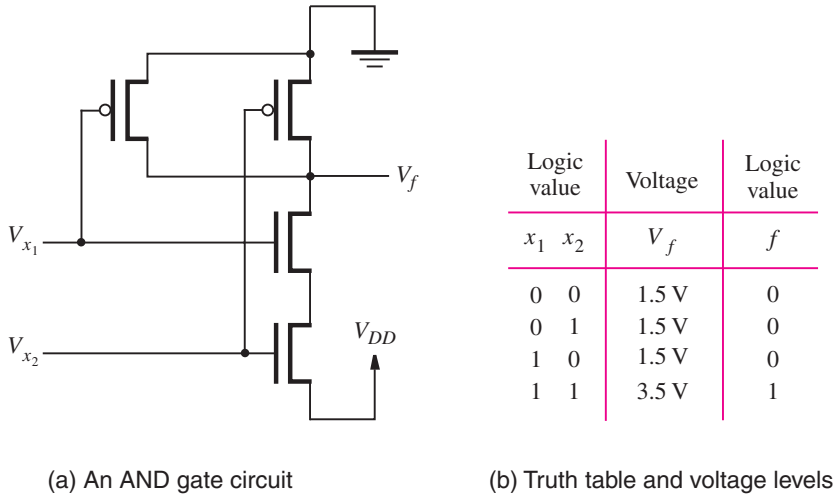
In Figure B.4 we showed that NMOS transistors are used as pull-down devices and PMOS transistors are used as pull-up devices. We now consider using the transistors in the opposite way, that is, using an NMOS transistor to drive an output high and using a PMOS transistor to drive an output low.

Figure B.51a illustrates the case of an NMOS transistor for which both the gate terminal and one side of the switch are driven to  $V_{DD}$ . Let us assume initially that both  $V_G$  and node  $A$  are at 0 V, and we then change  $V_G$  to 5 V. Node  $A$  is the transistor's source terminal because it has the lowest voltage. Since  $V_{GS} = V_{DD}$ , the transistor is turned on and drives node  $A$  toward  $V_{DD}$ . When the voltage at node  $A$  rises,  $V_{GS}$  decreases until the point when  $V_{GS}$  is no longer greater than  $V_T$ . At this point the transistor turns off. Thus in the steady state  $V_A = V_{DD} - V_T$ , which means that an NMOS transistor can only partially pass a high voltage signal.

A similar situation occurs when a PMOS transistor is used to pass a low voltage level, as depicted in Figure B.51b. Here assume that initially both  $V_G$  and node  $B$  are at 5 V. Then we change  $V_G$  to 0 V so that the transistor turns on and drives the source node (node  $B$ )



**Figure B.51** NMOS and PMOS transistors used in the opposite way from Figure B.4.



**Figure B.52** A poor implementation of a CMOS AND gate.

toward 0 V. When node B is decreased to  $V_T$ , the transistor turns off; hence the steady-state voltage is equal to  $V_T$ .

In Section B.1 we said that for an NMOS transistor the substrate (body) terminal is connected to *Gnd* and for a PMOS transistor the substrate is connected to  $V_{DD}$ . The voltage between the source and substrate terminals,  $V_{SB}$ , which is called the *substrate bias voltage*, is normally equal to 0 V in a logic circuit. But in Figure B.51 both the NMOS and PMOS transistors have  $V_{SB} = V_{DD}$ . The bias voltage has the effect of increasing the threshold voltage in the transistor  $V_T$  by a factor of about 1.5 or higher [2, 1]. This issue is known as the *body effect*.

Consider the logic gate shown in Figure B.52. In this circuit the  $V_{DD}$  and *Gnd* connections are reversed from the way in which they were used in previously discussed circuits.

When both  $V_{x_1}$  and  $V_{x_2}$  are high, then  $V_f$  is pulled up to the high output voltage,  $V_{OH} = V_{DD} - 1.5V_T$ . If  $V_{DD} = 5$  V and  $V_T = 1$  V, then  $V_{OH} = 3.5$  V. When either  $V_{x_1}$  or  $V_{x_2}$  is low, then  $V_f$  is pulled down to the low output voltage,  $V_{OL} = 1.5V_T$ , or about 1.5 V. As shown by the truth table in the figure, the circuit represents an AND gate. In comparison to the normal AND gate shown in Figure B.15, the circuit in Figure B.52 appears to be better because it requires fewer transistors. But a drawback of this circuit is that it offers a lower noise margin because of the poor levels of  $V_{OH}$  and  $V_{OL}$ .

Another important weakness of the circuit in Figure B.52 is that it causes static power dissipation, unlike a normal CMOS AND gate. Assume that the output of such an AND gate drives the input of a CMOS inverter. When  $V_f = 3.5$  V, the NMOS transistor in the inverter is turned on and the inverter output has a low voltage level. But the PMOS transistor in the inverter is not turned off, because its gate-to-source voltage is  $-1.5$  V, which is larger than  $V_T$ . Static current flows from  $V_{DD}$  to  $Gnd$  through the inverter. A similar situation occurs when the AND gate produces the low output  $V_f = 1.5$  V. Here the PMOS transistor in the inverter is turned on, but the NMOS transistor is not turned off. The AND gate implementation in Figure B.52 is not used in practice.

### B.8.8 TRANSMISSION GATES

In Section B.8.7 we showed that an NMOS transistor passes 0 well and 1 poorly, while a PMOS transistor passes 1 well and 0 poorly. It is possible to combine an NMOS and a PMOS transistor into a single switch that is capable of driving its output terminal either to a low or high voltage equally well. Figure B.53a gives the circuit for a *transmission gate*. As indicated in parts (b) and (c) of the figure, it acts as a switch that connects  $x$  to  $f$ . Switch control is provided by the *select* input  $s$  and its complement  $\bar{s}$ . The switch is turned on by setting  $V_s = 5$  V and  $V_{\bar{s}} = 0$ . When  $V_x$  is 0, the NMOS transistor will be turned on (because  $V_{GS} = V_s - V_x = 5$  V) and  $V_f$  will be 0. On the other hand, when  $V_x$  is 5 V, then the PMOS transistor will be on ( $V_{GS} = V_{\bar{s}} - V_x = -5$  V) and  $V_f$  will be 5 V. A graphical symbol for the transmission gate is given in Figure B.53d.

Transmission gates can be used in a variety of applications. The examples below show how they can be used to implement multiplexers, XOR gates, and latch circuits.

---

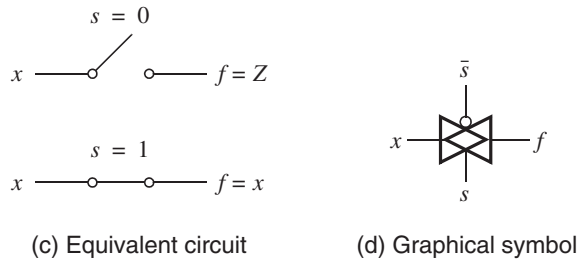
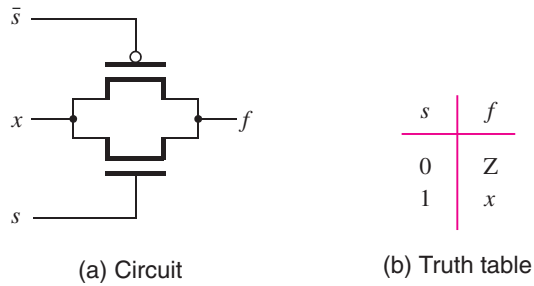
**Example B.9** We showed a circuit that uses transmission gates to implement a multiplexer in Figure 4.1d, which is reproduced in Figure B.54. The select input  $s$  is used to choose whether the output  $f$  should have the value of input  $w_1$  or  $w_2$ . If  $s = 0$ , then  $f = w_1$ ; if  $s = 1$ , then  $f = w_2$ .

---

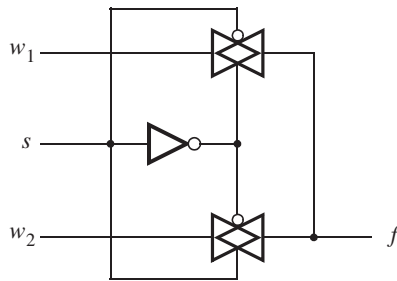
**Example B.10** The XOR function in sum-of-products form is

$$x_1 \oplus x_2 = \bar{x}_1x_2 + x_1\bar{x}_2$$

which leads to a circuit with two NOT gates, 2 two-input AND gates, and a two-input OR gate. We know from Section B.3 that each AND and OR gate requires six transistors, while a NOT gate needs two transistors. Hence 22 transistors are required to implement

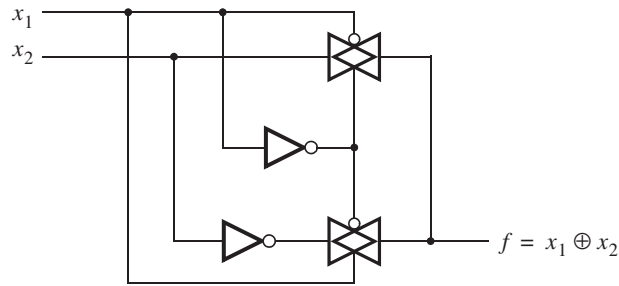


**Figure B.53** A transmission gate.



**Figure B.54** A 2-to-1 multiplexer built using transmission gates.

this circuit in CMOS technology. It is possible to greatly reduce the number of transistors needed by making use of transmission gates. Figure B.55 gives a circuit for an XOR gate that uses the multiplexer structure shown in Figure B.54. The output  $f$  is set to the value of  $x_2$  when  $x_1 = 0$  by the top transmission gate. The bottom transmission gate sets  $f$  to  $\bar{x}_2$  when  $x_1 = 1$ . This circuit needs only six transistors. We discuss the notion of using multiplexers to implement logic functions in Section 4.1.



**Figure B.55** Implementation of an XOR gate.

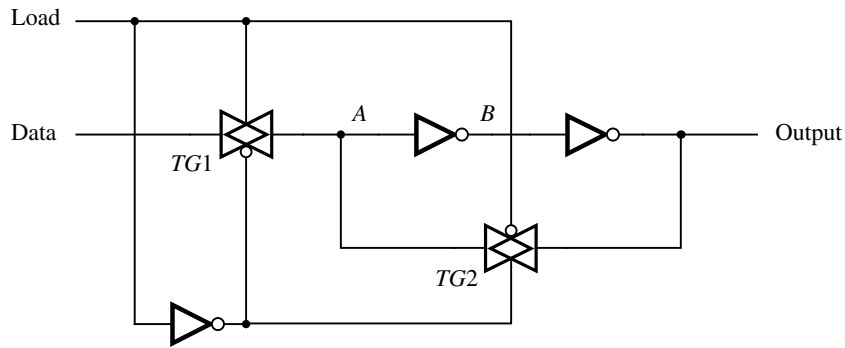
**Example B.11** Consider the circuit in Figure B.56, which includes two transmission gates. One transmission gate,  $TG1$ , is used to connect the *Data* input terminal to point *A* in the circuit. The second,  $TG2$ , is used as a switch in the *feedback loop* that maintains the state of the circuit. The transmission gates are controlled by the *Load* signal. If  $Load = 1$ , then  $TG1$  is on and the point *A* will have the same value as the *Data* input. Since the value presently stored at *Output* may not be the same value as *Data*, the feedback loop is broken by having  $TG2$  turned off when  $Load = 1$ . When  $Load$  changes to 0, then  $TG1$  turns off and  $TG2$  turns on. The feedback path is closed and the memory element will retain its state as long as  $Load = 0$ . This circuit implements a gated D latch. It is equivalent to the circuit with NAND gates shown in Figure 5.7, with the  $Load$  input in Figure B.56 acting as the  $Clk$  input.

### B.8.9 FAN-IN AND FAN-OUT IN LOGIC GATES

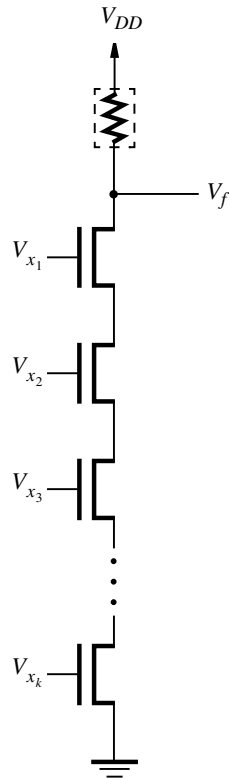
The *fan-in* of a logic gate is defined as the number of inputs to the gate. Depending on how a logic gate is constructed, it may be impractical to increase the number of inputs beyond a small value. For example, consider the NMOS NAND gate in Figure B.57, which has  $k$  inputs. We wish to consider the effect of  $k$  on the propagation delay  $t_p$  through the gate. Assume that all  $k$  NMOS transistors have the same width  $W$  and length  $L$ . Because the transistors are connected in series, we can consider them to be equivalent to one long transistor with length  $k \times L$  and width  $W$ . Using Equation B.4 (which can be applied to both CMOS and NMOS gates), the propagation delay is given by

$$t_p \cong \frac{1.7C}{k'_n \frac{W}{L} V_{DD}} \times k$$

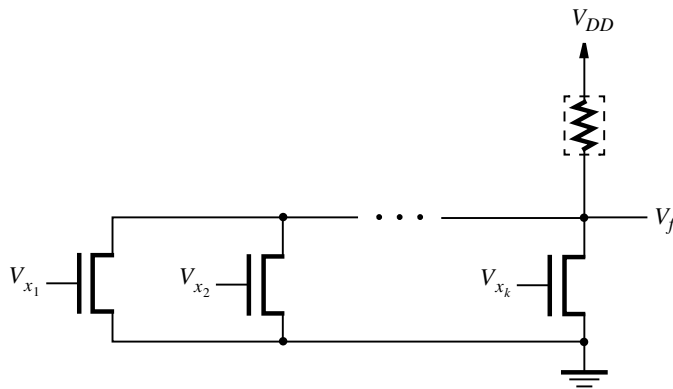
Here  $C$  is the equivalent capacitance at the output of the gate, including the parasitic capacitance contributed by each of the  $k$  transistors. The performance of the gate can be improved somewhat by increasing  $W$  for each NMOS transistor. But this change further increases  $C$  and comes at the expense of chip area. Another drawback of the circuit is that each NMOS transistor has the effect of increasing  $V_{OL}$ , hence reducing the noise margin. It is practical to build NAND gates in this manner only if the fan-in is small.



**Figure B.56** Using transmission gates to implement a gated D latch.



**Figure B.57** High fan-in NMOS NAND gate.



**Figure B.58** High fan-in NMOS NOR gate.

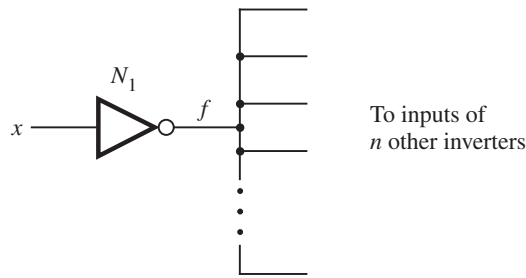
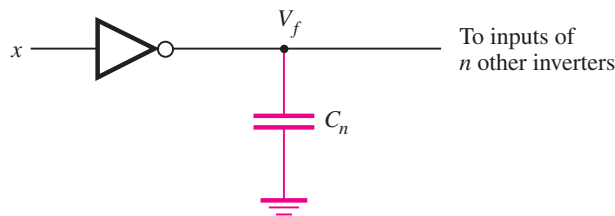
As another example of fan-in, Figure B.58 shows an NMOS  $k$ -input NOR gate. In this case the  $k$  NMOS transistors connected in parallel can be viewed as one large transistor with width  $k \times W$  and length  $L$ . According to Equation B.4, the propagation delay should be decreased by the factor  $k$ . However, the parallel-connected transistors increase the load capacitance  $C$  at the gate's output and, more importantly, it is extremely unlikely that all of the transistors would be turned on when  $V_f$  is changing from a high to low level. It is thus practical to build high fan-in NOR gates in NMOS technology. We should note, however, that in an NMOS gate the low-to-high propagation delay may be slower than the high-to-low delay as a result of the current-limiting effect of the pull-up device (see Examples B.13 and B.14).

High fan-in CMOS logic gates always require either  $k$  NMOS or  $k$  PMOS transistors in series and are therefore never practical. In CMOS the only reasonable way to construct a high fan-in gate is to use two or more lower fan-in gates. For example, one way to realize a six-input AND gate is as 2 three-input AND gates that connect to a two-input AND gate. It is possible to build a six-input CMOS AND gate using fewer transistors than needed with this approach, but we leave this as an exercise for the reader (see Problem B.4).

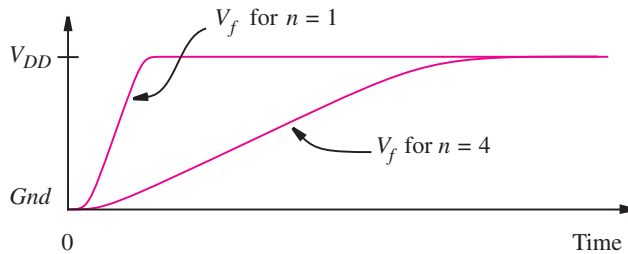
### Fan-out

Figure B.48 illustrated timing delays for one NOT gate driving another. In real circuits each logic gate may be required to drive several others. The number of other gates that a specific gate drives is called its *fan-out*. An example of fan-out is depicted in Figure B.59a, which shows an inverter  $N_1$  that drives the inputs of  $n$  other inverters. Each of the other inverters contributes to the total capacitive loading on node  $f$ . In part (b) of the figure, the  $n$  inverters are represented by one large capacitor  $C_n$ . For simplicity, assume that each inverter contributes a capacitance  $C$  and that  $C_n = n \times C$ . Equation B.4 shows that the propagation delay increases in direct proportion to  $n$ .

Figure B.59c illustrates how  $n$  affects the propagation delay. It assumes that a change from logic value 1 to 0 on signal  $x$  occurs at time 0. One curve represents the case where  $n = 1$ , and the other curve corresponds to  $n = 4$ . Using the parameters from Example B.7, when  $n = 1$ , we have  $t_p = 0.1$  ns. Then for  $n = 4$ ,  $t_p \approx 0.4$  ns. It is possible to reduce  $t_p$  by increasing the  $W/L$  ratios of the transistors in  $N_1$ .

(a) Inverter that drives  $n$  other inverters

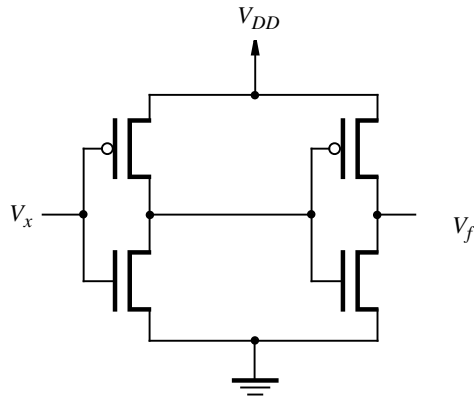
(b) Equivalent circuit for timing purposes

(c) Propagation times for different values of  $n$ **Figure B.59** The effect of fan-out on propagation delay.

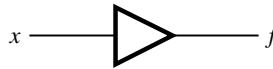
### Drivers

In circuits in which a logic gate has to drive a large capacitive load, drivers are often used to improve performance. A *driver* is a logic gate with one input,  $x$ , and one output,  $f$ , which produces  $f = x$ . The simplest implementation of a driver uses two inverters, as shown in Figure B.60a. Drivers can be created with different amounts of *drive capability*, depending on the sizes of the transistors (see Figure B.49). In general, because they are used for driving higher-than-normal capacitive loads, drivers have transistors that are larger than those in typical logic gates. The graphical symbol for a noninverting driver is given in Figure B.60b.





(a) Implementation of a driver



(b) Graphical symbol

**Figure B.60** A noninverting driver.

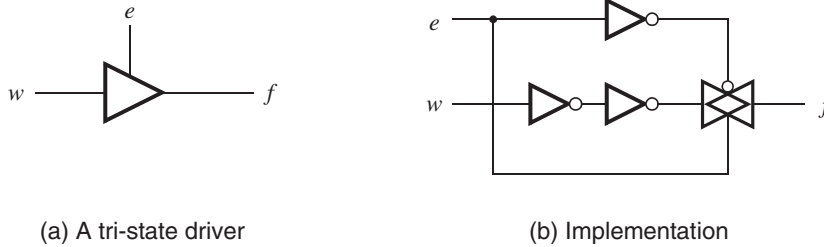
Another type of driver is the *inverting driver*. It produces the same output as an inverter,  $f = \bar{x}$ , but is built with relatively large transistors. The graphical symbol for the inverting driver is the same as for the NOT gate; an inverting driver is just a NOT gate that is capable of driving large capacitive loads. In Figure B.59 for large values of  $n$  an inverting driver could be used for the inverter labeled  $N_1$ .

In addition to their use for improving the speed performance of circuits, drivers are also used when high current flow is needed to drive external devices. Drivers can handle relatively large amounts of current flow because they are built with large transistors. A common example of this use of drivers is to control a light-emitting diode (LED). We describe an example of this application of drivers in Section 5.14.1.

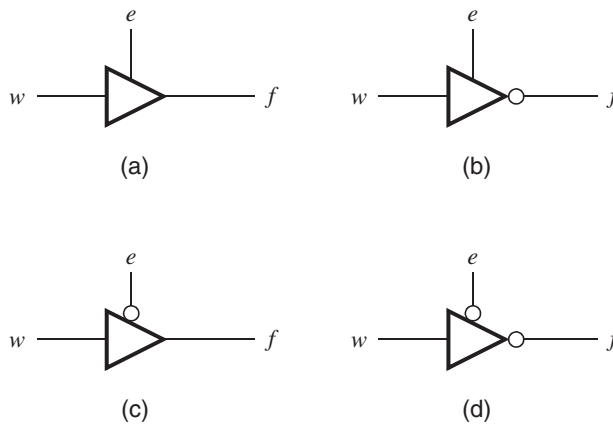
In general, fan-out, capacitive loading, and current flow are important issues that the designer of a digital circuit must consider carefully. In practice, the decision as to whether or not drivers are needed in a circuit is made with the aid of CAD tools.

### B.8.10 TRI-STATE DRIVERS

As we showed in Figure 7.1, a tri-state driver has one input,  $w$ , one output,  $f$ , and a control input, called *enable*,  $e$ . When  $e = 0$ , the driver is completely disconnected from the output  $f$ , but when  $e = 1$ , the driver provides the value of  $w$  on the output  $f$ . Figure B.61 shows a possible implementation of a tri-state driver using NOT gates and a transmission gate.



**Figure B.61** Tri-state driver.

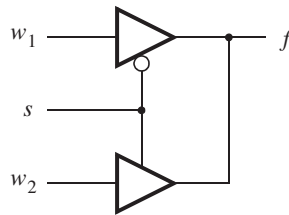


**Figure B.62** Four types of tri-state drivers.

Figure B.62 depicts several types of tri-state drivers. The driver in part (b) has the same behavior as the driver in part (a), except that when  $e = 1$ , it produces  $f = \bar{w}$ . Part (c) of the figure gives a tri-state driver for which the enable signal has the opposite behavior; that is, when  $e = 0$ ,  $f = w$ , and when  $e = 1$ ,  $f = Z$ . The term often used to describe this type of behavior is to say that the enable is *active low*. The driver in Figure B.62d also features an active-low enable, and it produces  $f = \bar{w}$  when  $e = 0$ .

As a small example of how tri-state drivers can be used, consider the circuit in Figure B.63. In this circuit the output  $f$  is equal to either  $w_1$  or  $w_2$ , depending on the value of  $s$ . When  $s = 0$ ,  $f = w_1$ , and when  $s = 1$ ,  $f = w_2$ . Thus, this circuit implements a 2-to-1 multiplexer.

In the circuit of Figure B.63, the outputs of the tri-state drivers are wired together. This connection is possible because the control input  $s$  is connected so that one of the two drivers is guaranteed to be in the high-impedance state. The  $w_1$  driver is active only when  $s = 0$ , and the  $w_2$  driver is active only when  $s = 1$ . It would be disastrous to allow both drivers to be active at the same time. Doing so would create a short circuit between  $V_{DD}$  and  $Gnd$



**Figure B.63** An application of tri-state drivers.

as soon as the two drivers produce different values. For example, assume that  $w_1 = 1$  and  $w_2 = 0$ . The  $w_1$  driver produces the output  $V_{DD}$ , and the  $w_2$  driver produces  $Gnd$ . A short circuit is formed between  $V_{DD}$  and  $Gnd$ , through the transistors in the tri-state drivers. The amount of current that flows through such a short circuit is usually sufficient to destroy the circuit.

The kind of *wired* connection used for the tri-state drivers is not possible with ordinary logic gates, because their outputs are always active; hence a short circuit would occur. As we already know, for normal logic circuits the equivalent result of the wired connection is achieved by using an OR gate to combine signals, as is done in the sum-of-products form.

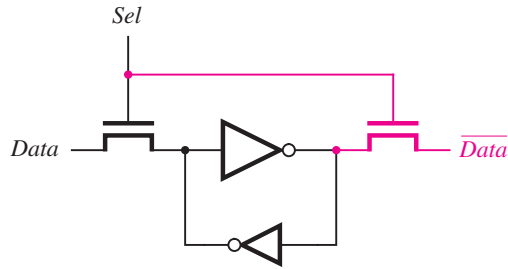
---

## B.9 STATIC RANDOM ACCESS MEMORY (SRAM)

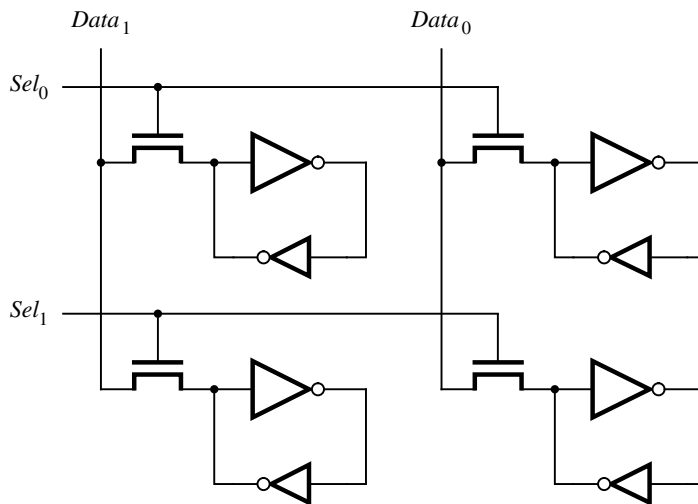
In Chapter 5 we introduced several types of circuits that can be used to store data. Assume that we need to store a large number,  $m$ , of data items, each of which consists of  $n$  bits. One possibility is to use an  $n$ -bit register that consists of  $n$  D flip-flops for each data item. We would need to design circuitry to control access to each register, both for loading (writing) data into it and for reading data out.

When  $m$  is large, it is awkward to use individual registers to store the data. A better approach is to make use of a *static random access memory* (SRAM) block. An SRAM block is a two-dimensional array of SRAM cells, where each cell can store one bit of information. If we need to store  $m$  items with  $n$  bits each, we can use an array of  $m \times n$  SRAM cells. The dimensions of the SRAM array are called its *aspect ratio*.

An SRAM block may contain a large number of SRAM cells, so it is important for each cell to take as little space on an integrated circuit chip as possible. For this reason, the storage cell should use as few transistors as possible. One popular storage cell used in practice is depicted in Figure B.64. It operates as follows. To store data into the cell, the *Sel* input is set to 1, and the data value to be stored is placed on the *Data* input. The SRAM cell may include a separate input for the complement of the data, indicated by the transistor shown in blue in the figure. For simplicity we assume that this transistor is not included in the cell. After waiting long enough for the data to propagate through the feedback path formed by the two NOT gates, *Sel* is changed to 0. The stored data then remains in the feedback loop indefinitely. A possible problem is that when  $Sel = 1$ , the value of *Data*



**Figure B.64** An SRAM cell.



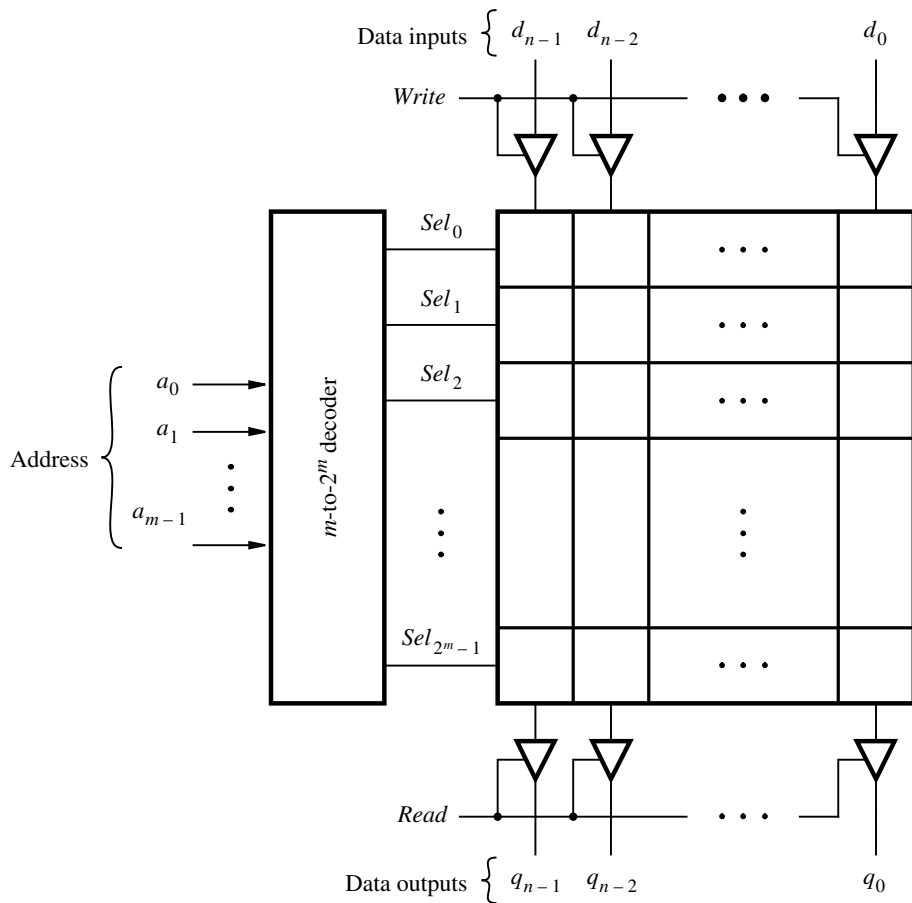
**Figure B.65** A  $2 \times 2$  array of SRAM cells.

may not be the same as the value being driven by the small NOT gate in the feedback path. Hence the transistor controlled by *Sel* may attempt to drive the stored data to one logic value while the output of the small NOT gate has the opposite logic value. To resolve this problem, the NOT gate in the feedback path is built using small (weak) transistors, so that its output can be overridden with new data.

To read data stored in the cell, we simply set *Sel* to 1. In this case the *Data* node would not be driven to any value by external circuitry, so that the SRAM cell can place the stored data on this node. The *Data* signal is passed through a driver, not shown in the figure, and provided as an output of the SRAM block.

An SRAM block contains an array of SRAM cells. Figure B.65 shows an array with two rows of two cells each. In each column of the array, the *Data* nodes of the cells are connected together. Each row, *i*, has a separate select input, *Sel<sub>i</sub>*, that is used to read or

write the contents of the cells in that row. Larger arrays are formed by connecting more cells to  $Sel_i$  in each row and by adding more rows. The SRAM block must also contain circuitry that controls access to each row in the array. Figure B.66 depicts a  $2^m \times n$  array of the type in Figure B.65, with a decoder that drives the  $Sel$  inputs in each row of the array. The inputs to the decoder are called *Address* inputs. This term derives from the notion that the location of a row in the array can be thought of as the “address” of the row. The decoder has  $m$  *Address* inputs and produces  $2^m$  select outputs. If the *Write* control input is 1, then the tri-state drivers at the top of the figure are enabled and the data bits on the inputs  $d_{n-1}, \dots, d_0$  are stored in the cells of the row selected by the *Address* inputs. If the *Read* control input is 1, then the tri-state drivers at the bottom of Figure B.66 are enabled and the data stored in the row selected by the *Address* inputs appears on the  $q_{n-1}, \dots, q_0$  outputs. In



**Figure B.66** A  $2^m \times n$  SRAM block.

many practical applications the data inputs and data outputs are connected together. Thus the *Write* and *Read* inputs must never have the value 1 at the same time.

The design of memory blocks has been the subject of intensive research and development. We have described only the basic operation of one type of memory block. The reader can refer to books on computer organization for more information [14, 15].

### B.9.1 SRAM BLOCKS IN PLDs

Most FPGA chips contain SRAM blocks that can be used as part of logic circuits implemented in the chips. One popular chip has a number of SRAM blocks, each of which contains 4096 SRAM cells. The SRAM blocks can be configured to provide different aspect ratios, depending on the needs of the design being implemented. Aspect ratios from  $512 \times 8$  to  $4096 \times 1$  can be realized using a single SRAM block, and multiple blocks can be combined to form larger memory arrays. To include SRAM blocks in a circuit, designers use prebuilt modules that are provided in a library as part of the CAD tools, or they write Verilog code from which synthesis tools can infer memory blocks.

---

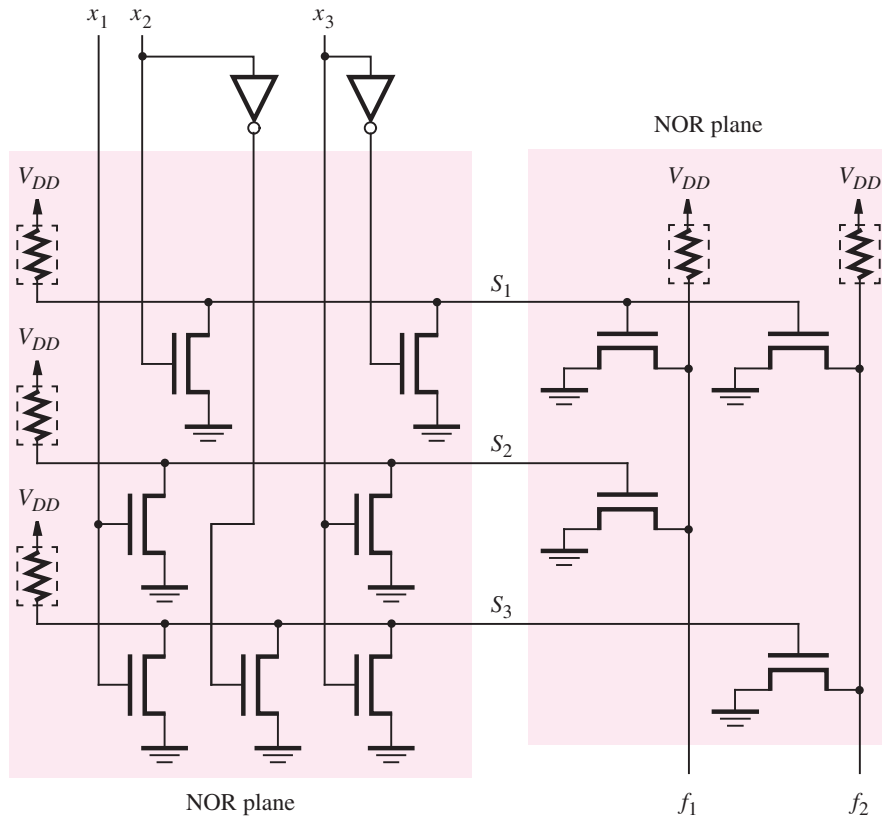
## B.10 IMPLEMENTATION DETAILS FOR SPLDs, CPLDs, AND FPGAS

We introduced PLDs in Section B.6. In the chip diagrams shown in that section, the programmable switches are represented using the symbol *X*. We now show how these switches are implemented using transistors.

In commercial SPLDs two main technologies are used to manufacture the programmable switches. The oldest technology is based on using metal-alloy fuses as programmable links. In this technology each pair of horizontal and vertical wires that cross is connected by a small metal fuse. When the chip is programmed, for every connection that is not wanted in the circuit being implemented, the associated fuse is melted. The programming process is not reversible, because the melted fuses are destroyed. We will not elaborate on this technology, because it has mostly been replaced by another method.

In currently produced PLAs and PALs, programmable switches are implemented using a special type of *programmable transistor*. Because CPLDs comprise PAL-like blocks, the technology used in SPLDs is also applicable to CPLDs. We will illustrate the main ideas by first describing PLAs. For a PLA to be useful for implementing a wide range of logic functions, it should support both functions of only a few variables and functions of many variables. In Section B.8.9 we discussed the issue of fan-in of logic gates. We showed that when the fan-in is high, the best type of gate to use is the NMOS NOR gate. Hence PLAs are usually based on this type of gate.

As a small example of PLA implementation, consider the circuit in Figure B.67. The horizontal wire labeled  $S_1$  is the output of an NMOS NOR gate with the inputs  $x_2$  and  $\bar{x}_3$ . Thus  $S_1 = x_2 + \bar{x}_3$ . Similarly,  $S_2$  and  $S_3$  are the outputs of NOR gates that produce  $S_2 = \bar{x}_1 + x_3$  and  $S_3 = x_1 + \bar{x}_2 + x_3$ . The three NOR gates that produce  $S_1$ ,  $S_2$ , and  $S_3$



**Figure B.67** An example of a NOR-NOR PLA.

are arranged in a regular structure that is efficient to create on an integrated circuit. This structure is called a *NOR plane*. The NOR plane is extended to larger sizes by adding columns for additional inputs and adding rows for more NOR gates.

The signals  $S_1$ ,  $S_2$ , and  $S_3$  serve as inputs to a second NOR plane. This NOR plane is turned 90 degrees clockwise with respect to the first NOR plane to make the diagram easier to draw. The NOR gate that produces the output  $f_1$  has the inputs  $S_1$  and  $S_2$ . Thus

$$f_1 = \overline{S_1 + S_2} = \overline{(x_2 + \bar{x}_3) + (\bar{x}_1 + x_3)}$$

Using DeMorgan's theorem, this expression is equivalent to the product-of-sums expression

$$f_1 = \bar{S}_1 \bar{S}_2 = (x_2 + \bar{x}_3)(\bar{x}_1 + x_3)$$

Similarly, the NOR gate with output  $f_2$  has inputs  $S_1$  and  $S_3$ . Therefore,

$$f_2 = \overline{S_1 + S_3} = \overline{(x_2 + \bar{x}_3) + (x_1 + \bar{x}_2 + x_3)}$$

which is equivalent to

$$f_2 = \bar{S}_1 \bar{S}_3 = (x_2 + \bar{x}_3)(x_1 + \bar{x}_2 + x_3)$$

The style of PLA illustrated in Figure B.67 is called a *NOR-NOR PLA*. Alternative implementations also exist, but because of its simplicity, the NOR-NOR style is the most popular choice. The reader should note that the PLA in Figure B.67 is not programmable— with the transistors connected as shown, it realizes only the two specific logic functions  $f_1$  and  $f_2$ . But the NOR-NOR structure can be used in a programmable version of the PLA, as explained below.

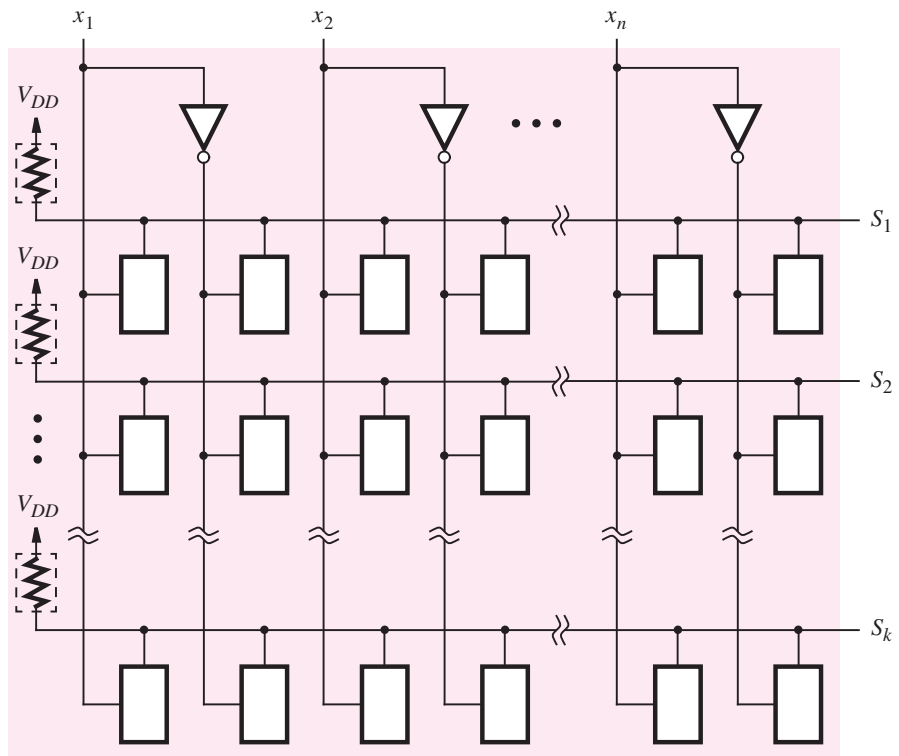
Strictly speaking, the term PLA should be used only for the fixed type of PLA depicted in Figure B.67. The proper technical term for a programmable type of PLA is *field-programmable logic array (FPLA)*. However, it is common usage to omit the *F*. Figure B.68a shows a programmable version of a NOR plane. It has  $n$  inputs,  $x_1, \dots, x_n$ , and  $k$  outputs,  $S_1, \dots, S_k$ . At each crossing point of a horizontal and vertical wire there exists a programmable switch. The switch comprises two transistors connected in series, an NMOS transistor and an *electrically erasable programmable read-only memory (EEPROM)* transistor.

The programmable switch is based on the behavior of the EEPROM transistor. Electronics textbooks, such as [1, 2], give detailed explanations of how EEPROM transistors operate. Here we will provide only a brief description. A programmable switch is depicted in Figure B.68b, and the structure of the EEPROM transistor is given in Figure B.68c. The EEPROM transistor has the same general appearance as the NMOS transistor (see Figure B.43) with one major difference. The EEPROM transistor has two gates: the normal gate that an NMOS transistor has and a second *floating gate*. The floating gate is so named because it is surrounded by insulating glass and is not connected to any part of the transistor. When the transistor is in the original unprogrammed state, the floating gate has no effect on the transistor's operation and it works as a normal NMOS transistor. During normal use of the PLA, the voltage on the floating gate  $V_e$  is set to  $V_{DD}$  by circuitry not shown in the figure, and the EEPROM transistor is turned on.

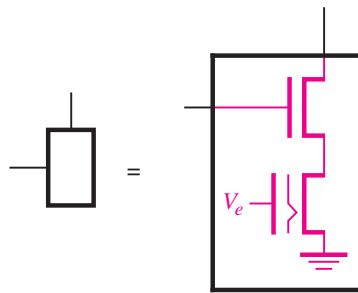
Programming of the EEPROM transistor is accomplished by turning on the transistor with a higher-than-normal voltage level (typically,  $V_e = 12\text{ V}$ ), which causes a large amount of current to flow through the transistor's channel. Figure B.68c shows that a part of the floating gate extends downward so that it is very close to the top surface of the channel. A high current flowing through the channel causes an effect, known as *Fowler-Nordheim tunneling*, in which some of the electrons in the channel “tunnel” through the insulating glass at its thinnest point and become trapped under the floating gate. After the programming process is completed, the trapped electrons repel other electrons from entering the channel. When the voltage  $V_e = V_{DD}$  is applied to the EEPROM transistor, which would normally cause it to turn on, the trapped electrons keep the transistor turned off. Hence in the NOR plane in Figure B.68a, programming is used to “disconnect” inputs from the NOR gates. For the inputs that should be connected to each NOR gate, the corresponding EEPROM transistors are left in the unprogrammed state.

Once an EEPROM transistor is programmed, it retains the programmed state permanently. However, the programming process can be reversed. This step is called *erasing*, and it is done by using voltages that are of the opposite polarity to those used for programming.

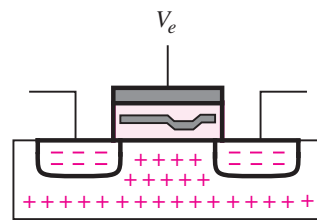




(a) Programmable NOR-plane



(b) A programmable switch



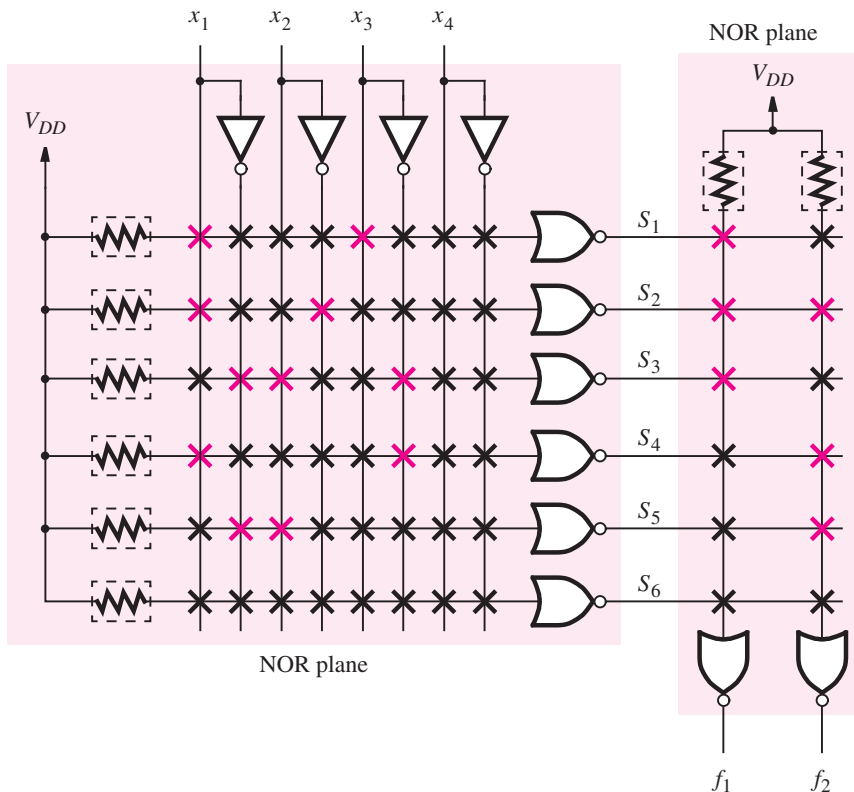
(c) EEPROM transistor

**Figure B.68** Using EEPROM transistors to create a programmable NOR plane.

In this case, the applied voltage causes the electrons that are trapped under the floating gate to tunnel back to the channel. The EEPROM transistor returns to its original state and again acts like a normal NMOS transistor.

For completeness, we should also mention another technology that is similar to EEPROM, called *erasable PROM (EPROM)*. This type of transistor, which was actually created as the predecessor of EEPROM, is programmed in a similar fashion to EEPROM. However, erasing is done differently: to erase an EPROM transistor, it must be exposed to light energy of specific wavelengths. To facilitate this process, chips based on EPROM technology are housed in packages with a clear glass window through which the chip is visible. To erase a chip, it is placed under an *ultraviolet light* source for several minutes. Because erasure of EPROM transistors is more awkward than the electrical process used to erase EEPROM transistors, EPROM technology has essentially been replaced by EEPROM technology in practice.

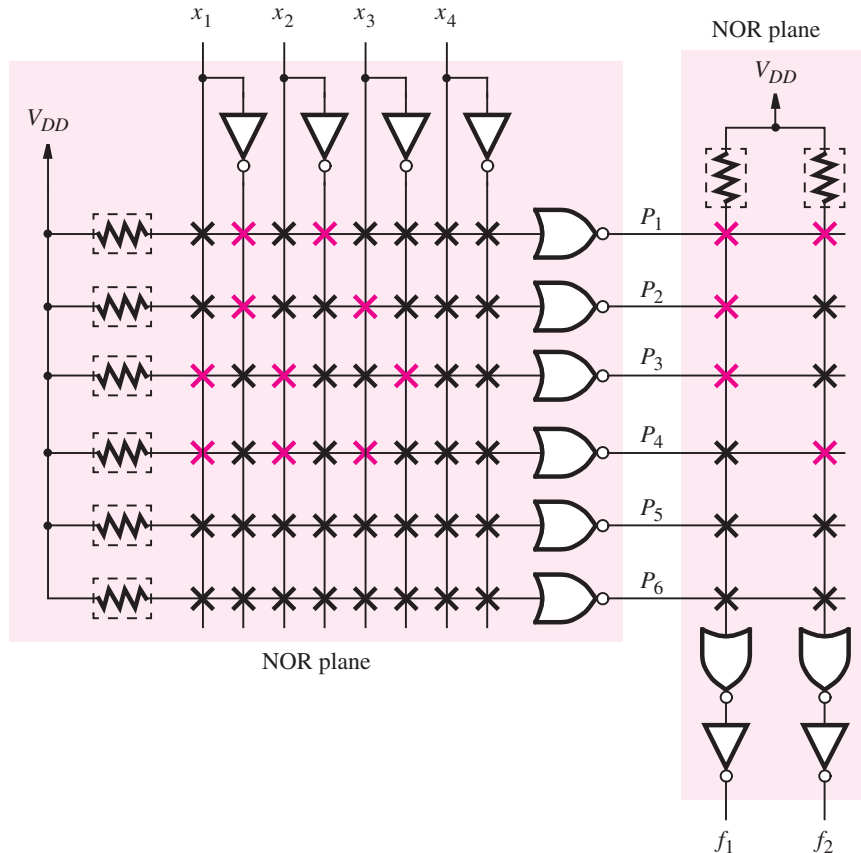
A complete NOR-NOR PLA using EEPROM technology, with four inputs, six sum terms in the first NOR plane, and two outputs, is depicted in Figure B.69. Each programmable switch that is programmed to the off state is shown as X in black, and each



**Figure B.69** Programmable version of the NOR-NOR PLA.

switch that is left unprogrammed is shown in blue. With the programming states shown in the figure, the PLA realizes the logic functions  $f_1 = (x_1 + x_3)(x_1 + \bar{x}_2)(\bar{x}_1 + x_2 + \bar{x}_3)$  and  $f_2 = (x_1 + \bar{x}_3)(\bar{x}_1 + x_2)(x_1 + \bar{x}_2)$ .

Rather than implementing logic functions in product-of-sums form, a PLA can also be used to realize the sum-of-products form. For sum-of-products we need to implement AND gates in the first NOR plane of the PLA. If we first complement the inputs to the NOR plane, then according to DeMorgan's theorem, this is equivalent to creating an AND plane. We can generate the complements at no cost in the PLA because each input is already provided in both true and complemented forms. An example that illustrates implementation of the sum-of-products form is given in Figure B.70. The outputs from the first NOR plane are labeled  $P_1, \dots, P_6$  to reflect our interpretation of them as product terms. The signal  $P_1$  is programmed to realize  $\bar{x}_1 + \bar{x}_2 = x_1x_2$ . Similarly,  $P_2 = x_1\bar{x}_3$ ,  $P_3 = \bar{x}_1\bar{x}_2x_3$ , and  $P_4 = \bar{x}_1\bar{x}_2\bar{x}_3$ . Having generated the desired product terms, we now need to OR them. This operation can be accomplished by complementing the outputs of the second NOR plane.

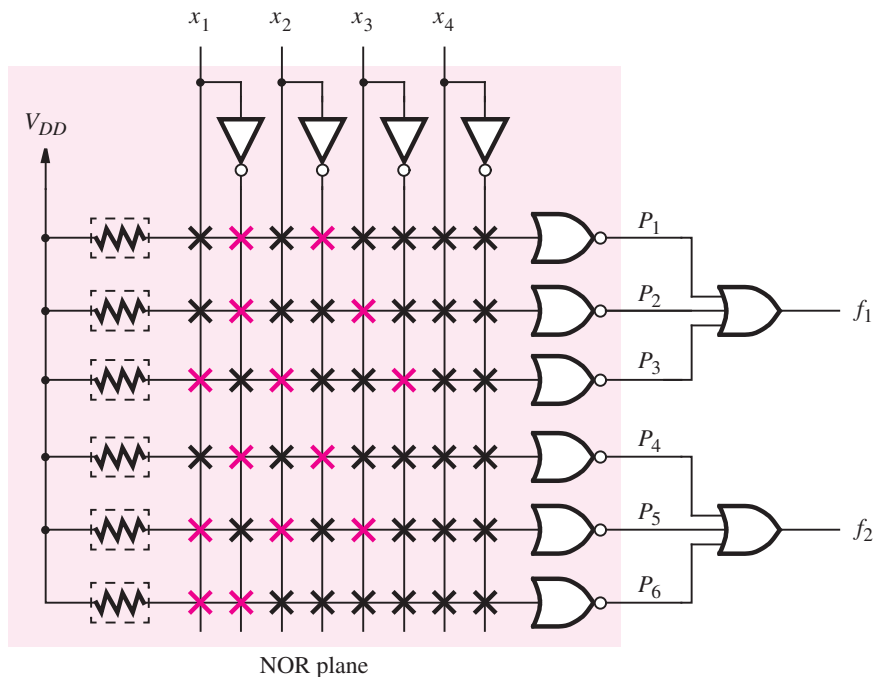


**Figure B.70** A NOR-NOR PLA used for sum-of-products.

Figure B.70 includes NOT gates for this purpose. The states indicated for the programmable switches in the OR plane (the second NOR plane) in the figure yield the following outputs:  $f_1 = P_1 + P_2 + P_3 = x_1x_2 + x_1\bar{x}_3 + \bar{x}_1\bar{x}_2x_3$ , and  $f_2 = P_1 + P_4 = x_1x_2 + \bar{x}_1\bar{x}_2\bar{x}_3$ .

The concepts described above for PLAs can also be used in PALs. Figure B.71 shows a PAL with four inputs and two outputs. Let us assume that the first NOR plane is programmed to realize product terms in the manner described above. Notice in the figure that the product terms are hardwired in groups of three to OR gates that produce the outputs of the PAL. As we illustrated in Figure B.29, the PAL may also contain extra circuitry between the OR gates and the output pins, which is not shown in Figure B.71. The PAL is programmed to realize the same logic functions,  $f_1$  and  $f_2$ , that were generated in the PLA in Figure B.70. Observe that the product term  $x_1x_2$  is implemented twice in the PAL, on both  $P_1$  and  $P_4$ . Duplication is necessary because in a PAL product terms cannot be shared by multiple outputs, as they can be in a PLA. Another detail to observe in Figure B.71 is that although the function  $f_2$  requires only two product terms, each OR gate is hardwired to three product terms. The extra product term  $P_6$  must be set to logic value 0, so that it has no effect. This is accomplished by programming  $P_6$  so that it produces the product of an input and that input's complement, which always results in 0. In the figure,  $P_6 = x_1\bar{x}_1 = 0$ , but any other input could also be used for this purpose.

The PAL-like blocks contained in CPLDs are usually implemented using the techniques discussed in this section. In a typical CPLD, the AND plane is built using NMOS NOR



**Figure B.71** PAL programmed to implement the functions in Figure B.70.

gates, with appropriate complementing of the inputs. The OR plane is hardwired as it is in a PAL, rather than being fully programmable as in a PLA. However, some flexibility exists in the number of product terms that feed each OR gate. This flexibility is accomplished by using a programmable circuit that can allocate the product terms to whichever OR gates the user desires.

---

**Example B.12** In Section B.9 we described static random access memory. This type of memory is useful when it is necessary to support both reading and writing of data. In many situations it is also useful to be able to write data into a memory and then use this stored data permanently without further modification. A read-only memory (ROM) is suitable for such applications. In a ROM the storage cells are built using EEPROM (or EPROM) transistors, arranged in a structure similar to that shown in Figure B.68. Each data bit in the ROM normally provides a 1 if its corresponding EEPROM cell is programmed to be “off”, but this data bit is pulled down to 0 if the EEPROM cell is programmed to be “ON”.

Figure B.72 shows an example of a ROM block. The storage cells are arranged in  $2^m$  rows with  $n$  cells per row. Thus each row stores  $n$  bits of information. The location of each row in the ROM is identified by its *address*. In the figure the row at the top has address 0, and the row at the bottom has address  $2^m - 1$ . The information stored in the rows can be accessed by asserting the select lines,  $Sel_0$  to  $Sel_{2^m-1}$ . As shown in the figure, a decoder with  $m$  inputs and  $2^m$  outputs is used to generate the signals on the select lines. Figure B.72 shows that each data line has an associated tri-state driver that is enabled by the ROM input named *Read*. To access, or *read*, data from the ROM, the address of the desired row is placed on the address lines and *Read* is set to 1.

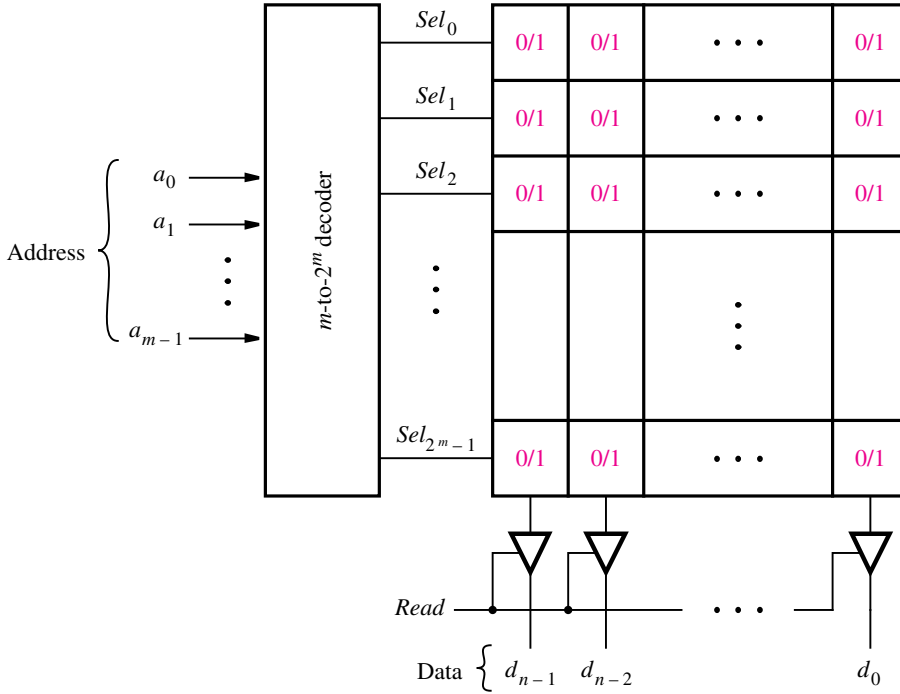
---

### B.10.1 IMPLEMENTATION IN FPGAS

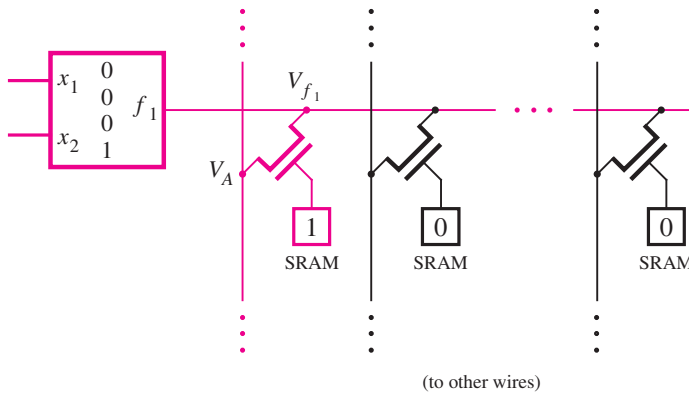
FPGAs do not use EEPROM technology to implement the programmable switches. Instead, the programming information is stored in SRAM cells. An SRAM cell is used for each truth-table value stored in a LUT. SRAM cells are also used to configure the interconnection wires in an FPGA.

Figure B.73 depicts a small section of the FPGA from Figure B.39. The logic element shown produces the output  $f_1$ , which is driven onto the horizontal wire drawn in blue. This wire can be connected to some of the vertical wires that it crosses, using programmable switches. Each switch is implemented using an NMOS transistor, with its gate terminal controlled by an SRAM cell. Such a switch is known as a *pass-transistor switch*. If a 0 is stored in an SRAM cell, then the associated NMOS transistor is turned off. But if a 1 is stored in the SRAM cell, as shown for the switch drawn in blue, then the NMOS transistor is turned on. This switch forms a connection between the two wires attached to its source and drain terminals. The number of switches that are provided in the FPGA depends on the specific chip architecture.

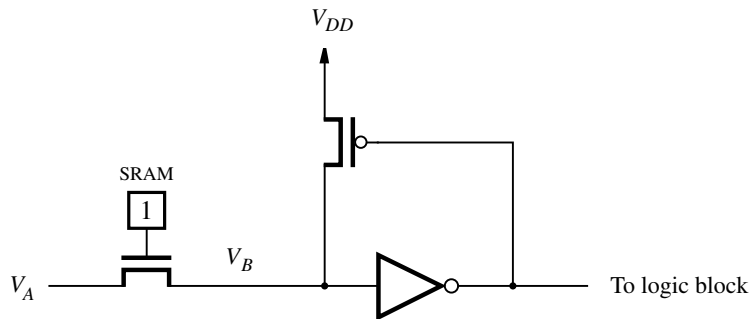
In Section B.8.7 we showed that an NMOS transistor can only partially pass a high logic value. Hence in Figure B.73 if  $V_{f_1}$  is a high voltage level, then  $V_A$  is only partially



**Figure B.72** A  $2^m \times n$  read-only memory (ROM) block.



**Figure B.73** Pass-transistor switches in FPGAs.



**Figure B.74** Restoring a high voltage level.

high. Using the values from Section B.8.7, if  $V_{f1} = 5$  V, then  $V_A = 3.5$  V. As we explained in Section B.8.7, this degraded voltage level has the result of causing static power to be consumed (see Example B.19). One solution to this problem [1] is illustrated in Figure B.74. We assume that the signal  $V_A$  passes through another pass-transistor switch before reaching its destination at another logic element. The signal  $V_B$  has the same value as  $V_A$  because the threshold voltage drop occurs only when passing through the first pass-transistor switch. To restore the level of  $V_B$ , it is driven with an inverter. A PMOS transistor is connected between the input of this inverter and  $V_{DD}$ , and that transistor is controlled by the inverter's output. The PMOS transistor has no effect on the inverter's output voltage level when  $V_B = 0$  V. But when  $V_B = 3.5$  V, then the inverter output is low, which turns on the PMOS transistor. This transistor quickly restores  $V_B$  to the proper level of  $V_{DD}$ , thus preventing current from flowing in the steady state. Instead of using this pull-up transistor solution, another possible approach is to alter the threshold voltage of the PMOS transistor (during the integrated circuit manufacturing process) in the inverter in Figure B.74, such that the magnitude of its threshold voltage is large enough to keep the transistor turned off when  $V_B = 3.5$  V. In commercial FPGAs both of these solutions are used in different chips.

An alternative to using a single NMOS transistor as a switch is to use a transmission gate, described in Section B.8.8. While this approach solves the voltage-level problem, it has two drawbacks. First, having both an NMOS and PMOS transistor in the switch increases the capacitive loading on the interconnection wires, which increases the propagation delays and power consumption. Second, the transmission gate takes more chip area than does a single NMOS transistor. For these reasons, commercial FPGA chips do not currently use transmission-gate switches.

## B.11 CONCLUDING REMARKS

We have described the most important concepts that are needed to understand how logic gates are built using transistors. Our discussions of transistor fabrication, voltage levels, propagation delays, power dissipation, and the like are meant to give the reader an appre-

ciation of the practical issues that have to be considered when designing and using logic circuits.

We have introduced several types of integrated circuit chips. Each type of chip is appropriate for different applications. The standard chips, such as the 7400 series, contain only a few simple gates and are rarely used today. Exceptions to this are the driver chips, which are employed when large amounts of current are needed. The various types of PLDs are widely used in many types of applications. Simple PLDs, like PLAs and PALs, are appropriate for implementation of small logic circuits. The SPLDs offer low cost and high speed. CPLDs can be used for the same applications as SPLDs, but CPLDs are also well suited for implementation of larger circuits, up to about 10,000 to 20,000 gates. Many of the applications that can be targeted to CPLDs can alternatively be realized with FPGAs. Which of these two types of chips are used in a specific design situation depends on many factors. Following the trend of putting as much circuitry as possible into a single chip, FPGAs are more widely used than other PLDs. Most digital designs created in the industry today contain some type of FPGA.

The gate-array, standard-cell, and custom-chip technologies are used in cases where PLDs are not appropriate. Typical applications are those that entail very large circuits, require extremely high speed-of-operation, need low power consumption, and where the designed product is expected to sell in large volume.

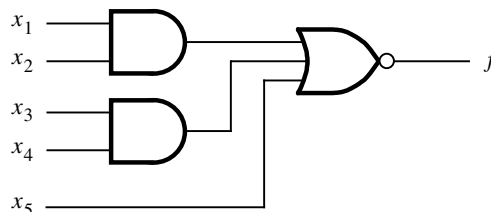
---

## B.12 EXAMPLES OF SOLVED PROBLEMS

This section presents some typical problems that the reader may encounter, and shows how such problems can be solved.

---

**Problem:** We introduced standard cell technology in Section B.7. In this technology, circuits are built by interconnecting building-block cells that implement simple functions, like basic logic gates. A commonly used type of standard cell are the and-or-invert (AOI) cells, which can be efficiently built as CMOS complex gates. Consider the AOI cell shown in Figure B.75. This cell implements the function  $f = \overline{x_1x_2 + x_3x_4 + x_5}$ . Derive the CMOS complex gate that implements this cell. **Example B.13**



**Figure B.75** The AOI cell for Example B.13.



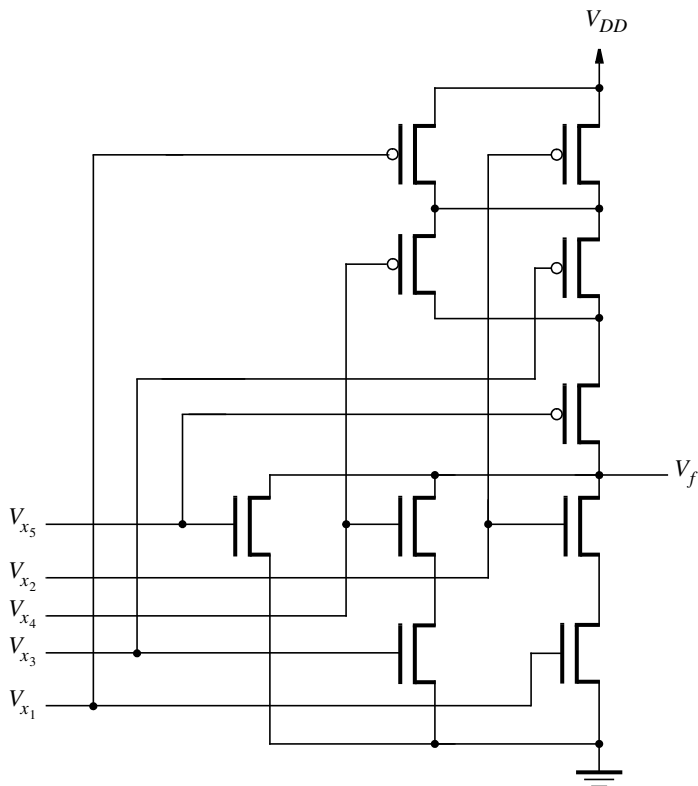
**Solution:** Applying Demorgan's theorem in two steps gives

$$\begin{aligned} f &= \overline{x_1 x_2} \cdot \overline{x_3 x_4} \cdot \overline{x_5} \\ &= (\overline{x_1} + \overline{x_2}) \cdot (\overline{x_3} + \overline{x_4}) \cdot \overline{x_5} \end{aligned}$$

Since all input variables are complemented in this expression, we can directly derive the pull-up network as having parallel-connected PMOS transistors controlled by  $x_1$  and  $x_2$ , in series with parallel-connected transistors controlled by  $x_3$  and  $x_4$ , in series with a transistor controlled by  $x_5$ . This circuit, along with the corresponding pull-down network, is shown in Figure B.76.

**Example B.14 Problem:** For the CMOS complex gate in Figure B.76, determine the sizes of transistors that should be used such that the speed performance of this gate is similar to that of an inverter.

**Solution:** Recall from Section B.8.5 that a transistor with length  $L$  and width  $W$  has a drive strength proportional to the ratio  $W/L$ . Also recall that when transistors are connected in



**Figure B.76** Circuit for Examples B.13 and B.14.

parallel their widths are effectively added, leading to an increase in drive strength. Similarly, when transistors are connected in series, their lengths are added, leading to a decrease in drive strength. Let us assume that all NMOS and PMOS transistors have the same length,  $L_n = L_p = L$ . In Figure B.76 the NMOS transistor connected to input  $V_{x5}$  can have the same width as in an inverter,  $W_n$ . But the worst-case path through the pull-down network in this circuit involves two NMOS transistors in series. For these NMOS transistors, which are connected to inputs  $V_{x1}, \dots, V_{x4}$ , we should make the widths equal to  $2 \times W_n$ . For the pull-up network, the worst-case path involves three transistors in series. Since, as we said in Section B.8.1, PMOS transistors have about half the drive strength of NMOS transistors, we should make the effective width of the PMOS transistors

$$W_p = 3 \times W_n \times 2 = 6W_n$$

**Problem:** In Section B.8.5, we said that the time needed to charge a capacitor is given by **Example B.15**

$$t_p = \frac{C \Delta V}{I}$$

Derive this expression.

**Solution:** As we stated in Section B.8.5, the voltage across a capacitor cannot change instantaneously. In Figure B.50b, as  $V_f$  is charged from 0 volts toward  $V_{DD}$ , the voltage changes according to the equation

$$V_f = \frac{1}{C} \int_0^{\infty} i(t) dt$$

In this expression, the independent variable  $t$  is time, and  $i(t)$  represents the instantaneous current flow through the capacitor at time  $t$ . Differentiating both sides of this expression with respect to time, and rearranging gives

$$i(t) = C \frac{dV_f}{dt}$$

For the case where  $I$  is constant, we have

$$\frac{I}{C} = \frac{\Delta V}{\Delta t}$$

Therefore,

$$\Delta t = t_p = \frac{C \Delta V}{I}$$

**Problem:** In our discussion of Figure B.50a, in Section B.8.6, we said that a capacitor,  $C$ , that has been charged to the voltage  $V_f = V_{DD}$ , stores an amount of energy equal to  $CV_{DD}^2/2$ . Derive this expression. **Example B.16**

**Solution:** As shown in Example B.15, the current flow through a charging capacitor,  $C$ , is related to the rate of change of voltage across the capacitor, according to

$$i(t) = C \frac{dV_f}{dt}$$

The instantaneous power dissipated in the capacitor is

$$P = i(t) \times V_f$$

Since energy is defined as the power used over a time period, we can calculate the energy,  $E_C$ , stored in the capacitor as  $V_f$  changes from 0 to  $V_{DD}$  by integrating the instantaneous power over time, as follows

$$E_C = \int_0^{\infty} i(t) V_f dt$$

Substituting the above expression for  $i(t)$  gives

$$\begin{aligned} E_C &= \int_0^{\infty} C \frac{dV_f}{dt} V_f dt \\ &= C \int_0^{V_{DD}} V_f dV_f \\ &= \frac{1}{2} C V_{DD}^2 \end{aligned}$$

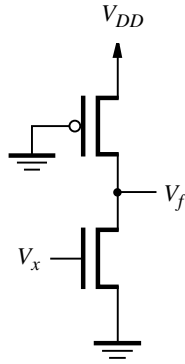
---

**Example B.17 Problem:** In the original NMOS technology, the pull-up device was an  $n$ -channel MOSFET. But most integrated circuits fabricated today use CMOS technology. Hence it is convenient to implement the pull-up resistor using a PMOS transistor, as shown in Figure B.77. Such a circuit is referred to as a *pseudo-NMOS* circuit. The pull-up device is called a “weak” PMOS transistor because it has a small  $W/L$  ratio.

When  $V_x = V_{DD}$ ,  $V_f$  has a low value. The NMOS transistor is operating in the triode region, while the PMOS transistor limits the current flow because it is operating in the saturation region. The current through the NMOS and PMOS transistors has to be equal and is given by Equations B.1 and B.2. Show that the low-output voltage,  $V_f = V_{OL}$  is given by

$$V_f = (V_{DD} - V_T) \left[ 1 - \sqrt{1 - \frac{k_p}{k_n}} \right]$$

where  $k_p$  and  $k_n$ , called the *gain factors*, depend on the sizes of the PMOS and NMOS transistors, respectively. They are defined by  $k_p = k'_p W_p/L_p$  and  $k_n = k'_n W_n/L_n$ .



**Figure B.77** The pseudo-NMOS inverter.

**Solution:** For simplicity we will assume that the magnitude of the threshold voltages for both the NMOS and PMOS transistors are equal, so that

$$V_T = V_{TN} = -V_{TP}$$

The PMOS transistor is operating in the saturation region, so the current flowing through it is given by

$$\begin{aligned} I_D &= \frac{1}{2} k'_p \frac{W_p}{L_p} (-V_{DD} - V_{TP})^2 \\ &= \frac{1}{2} k_p (-V_{DD} - V_{TP})^2 \\ &= \frac{1}{2} k_p (V_{DD} - V_T)^2 \end{aligned}$$

Similarly, the NMOS transistor is operating in the triode region, and its current flow is defined by

$$\begin{aligned} I_D &= k'_n \frac{W_n}{L_n} \left[ (V_x - V_{TN}) V_f - \frac{1}{2} V_f^2 \right] \\ &= k_n \left[ (V_x - V_{TN}) V_f - \frac{1}{2} V_f^2 \right] \\ &= k_n \left[ (V_{DD} - V_T) V_f - \frac{1}{2} V_f^2 \right] \end{aligned}$$

Since there is only one path for current to flow, we can equate the currents flowing through the NMOS and PMOS transistors and solve for the voltage  $V_f$ .

$$\begin{aligned} k_p (V_{DD} - V_T)^2 &= 2k_n \left[ (V_{DD} - V_T) V_f - \frac{1}{2} V_f^2 \right] \\ k_p (V_{DD} - V_T)^2 - 2k_n (V_{DD} - V_T) V_f + k_n V_f^2 &= 0 \end{aligned}$$

This quadratic equation can be solved using the standard formula, with the parameters

$$a = k_n, \quad b = -2k_n(V_{DD} - V_T), \quad c = k_p(V_{DD} - V_T)^2$$

which gives

$$\begin{aligned} V_f &= \frac{-b}{2a} \pm \sqrt{\frac{b^2}{4a^2} - \frac{c}{a}} \\ &= (V_{DD} - V_T) \pm \sqrt{(V_{DD} - V_T)^2 - \frac{k_p}{k_n}(V_{DD} - V_T)^2} \\ &= (V_{DD} - V_T) \left[ 1 \pm \sqrt{1 - \frac{k_p}{k_n}} \right] \end{aligned}$$

Only one of these two solutions is valid, because we started with the assumption that the NMOS transistor is in the triode region while the PMOS is in the saturation region. Thus

$$V_f = (V_{DD} - V_T) \left[ 1 - \sqrt{1 - \frac{k_p}{k_n}} \right]$$

**Example B.18 Problem:** For the circuit in Figure B.77, assume the values  $k'_n = 60 \mu\text{A}/\text{V}^2$ ,  $k'_p = 0.4 k'_n$ ,  $W_n/L_n = 2.0 \mu\text{m}/0.5 \mu\text{m}$ ,  $W_p/L_p = 0.5 \mu\text{m}/0.5 \mu\text{m}$ ,  $V_{DD} = 5 \text{ V}$ , and  $V_T = 1 \text{ V}$ . When  $V_x = V_{DD}$ , calculate the following:

- The static current,  $I_{stat}$ .
- The on-resistance of the NMOS transistor.
- $V_{OL}$ .
- The static power dissipated in the inverter.
- The on-resistance of the PMOS transistor.
- Assume that the inverter is used to drive a capacitive load of 70 fF. Using Equation B.4, calculate the low-to-high and high-to-low propagation delays.

**Solution:** (a) The PMOS transistor is saturated, therefore

$$\begin{aligned} I_{stat} &= \frac{1}{2} k'_p \frac{W_p}{L_p} (V_{DD} - V_T)^2 \\ &= 12 \frac{\mu\text{A}}{\text{V}^2} \times 1 \times (5 \text{ V} - 1 \text{ V})^2 = 192 \mu\text{A} \end{aligned}$$

(b) Using Equation B.3,

$$\begin{aligned} R_{DS} &= 1 / \left[ k'_n \frac{W_n}{L_n} (V_{GS} - V_T) \right] \\ &= 1 / \left[ 0.060 \frac{\text{mA}}{\text{V}^2} \times 4 \times (5 \text{ V} - 1 \text{ V}) \right] = 1.04 \text{ k}\Omega \end{aligned}$$

(c) Using the expression derived in Example B.17 we have

$$k_p = k'_p \frac{W_p}{L_p} = 24 \frac{\mu\text{A}}{\text{V}^2}$$

$$k_n = k'_n \frac{W_n}{L_n} = 240 \frac{\mu\text{A}}{\text{V}^2}$$

$$\begin{aligned} V_{OL} = V_f &= (5 \text{ V} - 1 \text{ V}) \left[ 1 - \sqrt{1 - \frac{24}{240}} \right] \\ &= 0.21 \text{ V} \end{aligned}$$

(d)

$$\begin{aligned} P_D &= I_{stat} \times V_{DD} \\ &= 192 \mu\text{A} \times 5 \text{ V} = 960 \mu\text{W} \approx 1 \text{ mW} \end{aligned}$$

(e)

$$\begin{aligned} R_{SDP} &= V_{SD}/I_{SD} \\ &= (V_{DD} - V_f)/I_{stat} \\ &= (5 \text{ V} - 0.21 \text{ V})/0.192 \text{ mA} = 24.9 \text{ k}\Omega \end{aligned}$$

(f) The low-to-high propagation delay is

$$\begin{aligned} t_{pLH} &= \frac{1.7C}{k'_p \frac{W_p}{L_p} V_{DD}} \\ &= \frac{1.7 \times 70 \text{ fF}}{24 \frac{\mu\text{A}}{\text{V}^2} \times 1 \times 5 \text{ V}} = 0.99 \text{ ns} \end{aligned}$$

The high-to-low propagation delay is

$$\begin{aligned} t_{pHL} &= \frac{1.7C}{k'_n \frac{W_n}{L_n} V_{DD}} \\ &= \frac{1.7 \times 70 \text{ fF}}{60 \frac{\mu\text{A}}{\text{V}^2} \times 4 \times 5 \text{ V}} = 0.1 \text{ ns} \end{aligned}$$

---

**Problem:** In Figure B.74 we showed a solution to the static power dissipation problem when NMOS pass transistors are used. Assume that the PMOS pull-up transistor is removed from this circuit. Assume the parameters  $k'_n = 60 \mu\text{A}/\text{V}^2$ ,  $k'_p = 0.5 \times k'_n$ ,  $W_n/L_n = 2.0 \mu\text{m}/0.5 \mu\text{m}$ ,  $W_p/L_p = 4.0 \mu\text{m}/0.5 \mu\text{m}$ ,  $V_{DD} = 5 \text{ V}$ , and  $V_T = 1 \text{ V}$ . For  $V_B = 3.5 \text{ V}$ , calculate the following: **Example B.19**

- (a) The static current  $I_{stat}$ .  
 (b) The voltage  $V_f$  at the output of the inverter.  
 (c) The static power dissipation in the inverter.  
 (d) If a chip contains 250,000 inverters used in this manner, find the total static power dissipation.

**Solution:** (a) If we assume that the PMOS transistor is operating in the saturation region, then the current flow through the inverter is defined by

$$\begin{aligned} I_{stat} &= \frac{1}{2} k'_p \frac{W_p}{L_p} (V_{GS} - V_{Tp})^2 \\ &= 120 \frac{\mu\text{A}}{\text{V}^2} \times ((3.5 \text{ V} - 5 \text{ V}) + 1 \text{ V})^2 = 30 \mu\text{A} \end{aligned}$$

(b) Since the static current,  $I_{stat}$ , flowing through the PMOS transistor also flows through the NMOS transistor, then assuming that the NMOS transistor is operating in the triode region, we have

$$\begin{aligned} I_{stat} &= k'_n \frac{W_n}{L_n} \left[ (V_{GS} - V_{Tn}) V_{DS} - \frac{1}{2} V_{DS}^2 \right] \\ 30 \mu\text{A} &= 240 \frac{\mu\text{A}}{\text{V}^2} \times \left[ 2.5 \text{ V} \times V_f - \frac{1}{2} V_f^2 \right] \\ 1 &= 20V_f - 4V_f^2 \end{aligned}$$

Solving this quadratic equation yields  $V_f = 0.05 \text{ V}$ . Note that the output voltage  $V_f$  satisfies the assumption that the PMOS transistor is operating in the saturation region while the NMOS transistor is operating in the triode region.

(c) The static power dissipated in the inverter is

$$P_S = I_{stat} \times V_{DD} = 30 \mu\text{A} \times 5 \text{ V} = 150 \mu\text{W}$$

(d) The static power dissipated by 250,000 inverters is

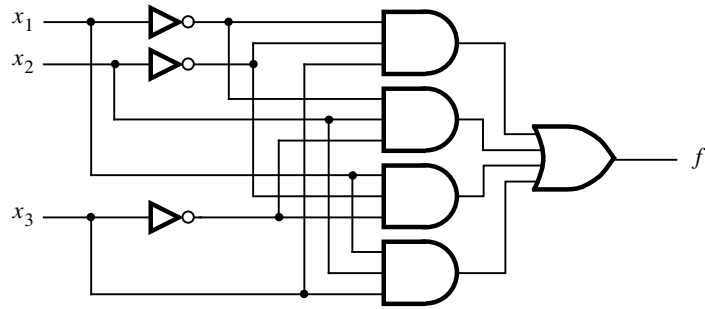
$$250,000 \times P_S = 37.5 \text{ W}$$

## PROBLEMS

Answers to problems marked by an asterisk are given at the back of the book.

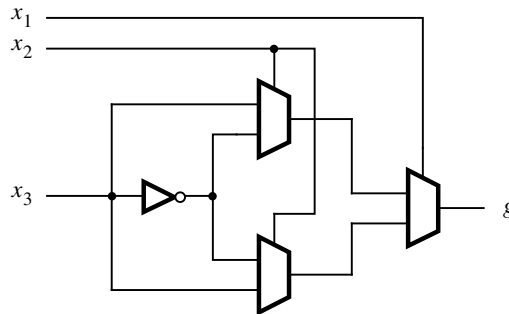
### B.1 Consider the circuit shown in Figure PB.1.

- (a) Show the truth table for the logic function  $f$ .  
 (b) If each gate in the circuit is implemented as a CMOS gate, how many transistors are needed?



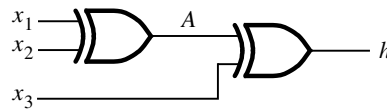
**Figure PB.1** A sum-of-products CMOS circuit.

- B.2** (a) Show that the circuit in Figure PB.2 is functionally equivalent to the circuit in Figure PB.1.  
 (b) How many transistors are needed to build this CMOS circuit?



**Figure PB.2** A CMOS circuit built with multiplexers.

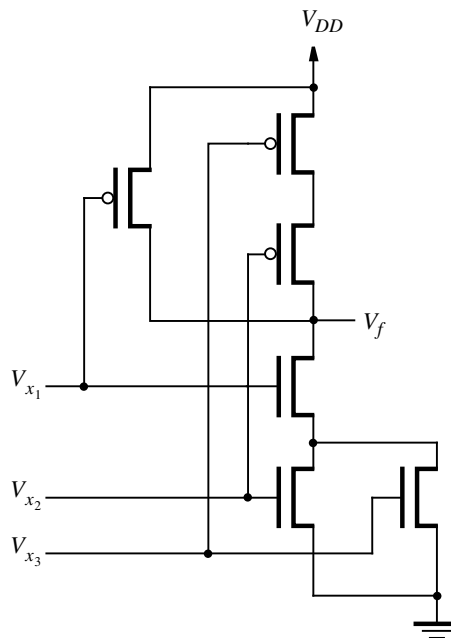
- B.3** (a) Show that the circuit in Figure PB.3 is functionally equivalent to the circuit in Figure PB.2.  
 (b) How many transistors are needed to build this CMOS circuit if each XOR gate is implemented using the circuit in Figure B.55?



**Figure PB.3** Circuit for Problem B.3.

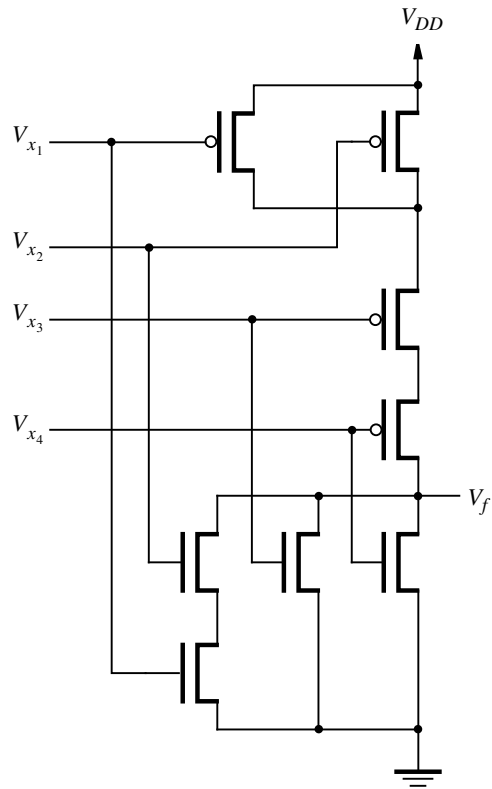


- \*B.4** In Section B.8.9 we said that a six-input CMOS AND gate can be constructed using two three-input AND gates and a two-input AND gate. This approach requires 22 transistors. Show how you can use only CMOS NAND and NOR gates to build the six-input AND gate, and calculate the number of transistors needed. (*Hint: Use DeMorgan's theorem.*)
- B.5** Repeat Problem B.4 for an eight-input CMOS OR gate.
- B.6** (a) Give the truth table for the CMOS circuit in Figure PB.4.  
 (b) Derive a canonical sum-of-products expression for the truth table from part (a). How many transistors are needed to build a circuit representing the canonical form if only AND, OR, and NOT gates are used?

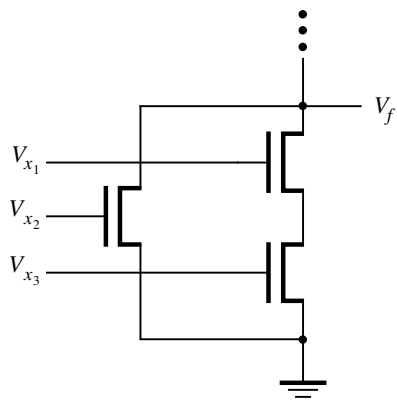


**Figure PB.4** A three-input CMOS circuit.

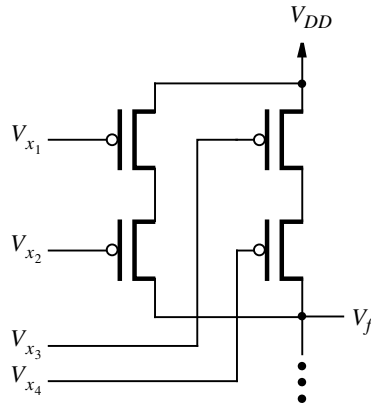
- B.7** (a) Give the truth table for the CMOS circuit in Figure PB.5.  
 (b) Derive the simplest sum-of-products expression for the truth table in part (a). How many transistors are needed to build the sum-of-products circuit using CMOS AND, OR, and NOT gates?
- \*B.8** Figure PB.6 shows half of a CMOS circuit. Derive the other half that contains the PMOS transistors.
- B.9** Figure PB.7 shows half of a CMOS circuit. Derive the other half that contains the NMOS transistors.



**Figure PB.5** A four-input CMOS circuit.



**Figure PB.6** The PDN in a CMOS circuit.

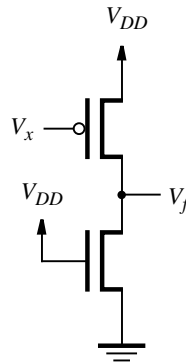


**Figure PB.7** The PUN in a CMOS circuit.

- B.10** Derive a CMOS complex gate for the logic function  $f(x_1, x_2, x_3, x_4) = \sum m(0, 1, 2, 4, 5, 6, 8, 9, 10)$ .
- B.11** Derive a CMOS complex gate for the logic function  $f(x_1, x_2, x_3, x_4) = \sum m(0, 1, 2, 4, 6, 8, 10, 12, 14)$ .
- \*B.12** Derive a CMOS complex gate for the logic function  $f = xy + xz$ . Use as few transistors as possible (*Hint*: Consider  $\bar{f}$ ).
- B.13** Derive a CMOS complex gate for the logic function  $f = xy + xz + yz$ . Use as few transistors as possible (*Hint*: Consider  $\bar{f}$ ).
- \*B.14** For an NMOS transistor, assume that  $k'_n = 20 \mu\text{A}/\text{V}^2$ ,  $W/L = 2.5 \mu\text{m}/0.5 \mu\text{m}$ ,  $V_{GS} = 5 \text{ V}$ , and  $V_T = 1 \text{ V}$ . Calculate  
 (a)  $I_D$  when  $V_{DS} = 5 \text{ V}$   
 (b)  $I_D$  when  $V_{DS} = 0.2 \text{ V}$
- B.15** For a PMOS transistor, assume that  $k'_p = 10 \mu\text{A}/\text{V}^2$ ,  $W/L = 2.5 \mu\text{m}/0.5 \mu\text{m}$ ,  $V_{GS} = -5 \text{ V}$ , and  $V_T = -1 \text{ V}$ . Calculate  
 (a)  $I_D$  when  $V_{DS} = -5 \text{ V}$   
 (b)  $I_D$  when  $V_{DS} = -0.2 \text{ V}$
- B.16** For an NMOS transistor, assume that  $k'_n = 20 \mu\text{A}/\text{V}^2$ ,  $W/L = 5.0 \mu\text{m}/0.5 \mu\text{m}$ ,  $V_{GS} = 5 \text{ V}$ , and  $V_T = 1 \text{ V}$ . For small  $V_{DS}$ , calculate  $R_{DS}$ .
- \*B.17** For an NMOS transistor, assume that  $k'_n = 40 \mu\text{A}/\text{V}^2$ ,  $W/L = 3.5 \mu\text{m}/0.35 \mu\text{m}$ ,  $V_{GS} = 3.3 \text{ V}$ , and  $V_T = 0.66 \text{ V}$ . For small  $V_{DS}$ , calculate  $R_{DS}$ .
- B.18** For a PMOS transistor, assume that  $k'_p = 10 \mu\text{A}/\text{V}^2$ ,  $W/L = 5.0 \mu\text{m}/0.5 \mu\text{m}$ ,  $V_{GS} = -5 \text{ V}$ , and  $V_T = -1 \text{ V}$ . For  $V_{DS} = -4.8 \text{ V}$ , calculate  $R_{DS}$ .
- B.19** For a PMOS transistor, assume that  $k'_p = 16 \mu\text{A}/\text{V}^2$ ,  $W/L = 3.5 \mu\text{m}/0.35 \mu\text{m}$ ,  $V_{GS} = -3.3 \text{ V}$ , and  $V_T = -0.66 \text{ V}$ . For  $V_{DS} = -3.2 \text{ V}$ , calculate  $R_{DS}$ .

**B.20** In Example B.17 we showed how to calculate voltage levels in a pseudo-NMOS inverter. Figure PB.8 depicts a pseudo-PMOS inverter. In this technology, a weak NMOS transistor is used to implement a pull-down resistor.

When  $V_x = 0$ ,  $V_f$  has a high value. The PMOS transistor is operating in the triode region, while the NMOS transistor limits the current flow, because it is operating in the saturation region. The current through the PMOS and NMOS transistors has to be the same and is given by Equations B.1 and B.2. Find an expression for the high-output voltage,  $V_f = V_{OH}$ , in terms of  $V_{DD}$ ,  $V_T$ ,  $k_p$ , and  $k_n$ , where  $k_p$  and  $k_n$  are gain factors as defined in Example B.17.



**Figure PB.8** The pseudo-PMOS inverter.

**\*B.21** For the circuit in Figure PB.8, assume the values  $k'_n = 60 \mu\text{A}/\text{V}^2$ ,  $k'_p = 0.4 k'_n$ ,  $W_n/L_n = 0.5 \mu\text{m}/0.5 \mu\text{m}$ ,  $W_p/L_p = 4.0 \mu\text{m}/0.5 \mu\text{m}$ ,  $V_{DD} = 5 \text{ V}$  and  $V_T = 1 \text{ V}$ . When  $V_x = 0$ , calculate the following:

- (a) The static current,  $I_{stat}$
- (b) The on-resistance of the PMOS transistor
- (c)  $V_{OH}$
- (d) The static power dissipated in the inverter
- (e) The on-resistance of the NMOS transistor
- (f) Assume that the inverter is used to drive a capacitive load of 70 fF. Using Equation B.4, calculate the low-to-high and high-to-low propagation delays.

**B.22** Repeat Problem B.21 assuming that the size of the NMOS transistor is changed to  $W_n/L_n = 4.0 \mu\text{m}/0.5 \mu\text{m}$ .

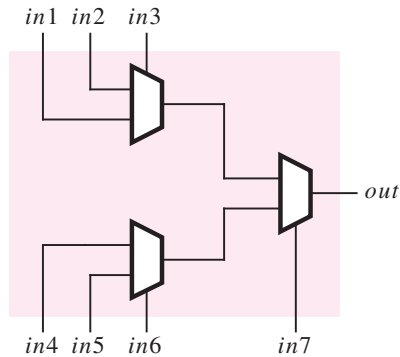
**B.23** Example B.17 (see Figure B.77) shows that in the pseudo-NMOS technology the pull-up device is implemented using a PMOS transistor. Repeat this problem for a NAND gate built with pseudo-NMOS technology. Assume that both of the NMOS transistors in the gate have the same parameters, as given in Example B.18.

**B.24** Repeat Problem B.23 for a pseudo-NMOS NOR gate.

- \*B.25** (a) For  $V_{IH} = 4$  V,  $V_{OH} = 4.5$  V,  $V_{IL} = 1$  V,  $V_{OL} = 0.3$  V, and  $V_{DD} = 5$  V, calculate the noise margins  $NM_H$  and  $NM_L$ .  
 (b) Consider an eight-input NAND gate built using NMOS technology. If the voltage drop across each transistor is 0.1 V, what is  $V_{OL}$ ? What is the corresponding  $NM_L$  using the other parameters from part (a).
- B.26** Under steady-state conditions, for an  $n$ -input CMOS NAND gate, what are the voltage levels of  $V_{OL}$  and  $V_{OH}$ ? Explain.
- B.27** For a CMOS inverter, assume that the load capacitance is  $C = 150$  fF and  $V_{DD} = 5$  V. The inverter is cycled through the low and high voltage levels at an average rate of  $f = 75$  MHz.  
 (a) Calculate the dynamic power dissipated in the inverter.  
 (b) For a chip that contains the equivalent of 250,000 inverters, calculate the total dynamic power dissipated if 20 percent of the gates change values at any given time.
- \*B.28** Repeat Problem B.27 for  $C = 120$  fF,  $V_{DD} = 3.3$  V, and  $f = 125$  MHz.
- B.29** In a CMOS inverter, assume that  $k'_n = 20 \mu\text{A}/\text{V}^2$ ,  $k'_p = 0.4 \times k'_n$ ,  $W_n/L_n = 5.0 \mu\text{m}/0.5 \mu\text{m}$ ,  $W_p/L_p = 5.0 \mu\text{m}/0.5 \mu\text{m}$ , and  $V_{DD} = 5$  V. The inverter drives a load capacitance of 150 fF.  
 (a) Find the high-to-low propagation delay.  
 (b) Find the low-to-high propagation delay.  
 (c) What should be the dimensions of the PMOS transistor such that the low-to-high and high-to-low propagation delays are equal? Ignore the effect of the PMOS transistor's size on the load capacitance of the inverter.
- B.30** Repeat Problem B.29 for the parameters  $k'_n = 40 \mu\text{A}/\text{V}^2$ ,  $k'_p = 0.4 \times k'_n$ ,  $W_n/L_n = W_p/L_p = 3.5 \mu\text{m}/0.35 \mu\text{m}$ , and  $V_{DD} = 3.3$  V.
- B.31** In a CMOS inverter, assume that  $W_n/L_n = 2$  and  $W_p/L_p = 4$ . For a CMOS NAND gate, calculate the required W/L ratios of the NMOS and PMOS transistors such that the available current in the gate to drive the output both low and high is equal to that in the inverter.
- \*B.32** Repeat Problem B.31 for a CMOS NOR gate.
- B.33** Repeat Problem B.31 for the CMOS complex gate in Figure B.16. The transistor sizes should be chosen such that in the worst case the available current is at least as large as in the inverter.
- B.34** Repeat Problem B.31 for the CMOS complex gate in Figure B.17.
- B.35** In Figure B.74 we showed a solution to the static power dissipation problem when NMOS pass transistors are used. Assume that the PMOS pull-up transistor is removed from this circuit. Assume the parameters  $k'_n = 60 \mu\text{A}/\text{V}^2$ ,  $k'_p = 0.4 \times k'_n$ ,  $W_n/L_n = 1.0 \mu\text{m}/0.25 \mu\text{m}$ ,  $W_p/L_p = 2.0 \mu\text{m}/0.25 \mu\text{m}$ ,  $V_{DD} = 2.5$  V, and  $V_T = 0.6$  V. For  $V_B = 1.6$  V, calculate the following:  
 (a) the static current,  $I_{stat}$   
 (b) the voltage,  $V_f$ , at the output of the inverter

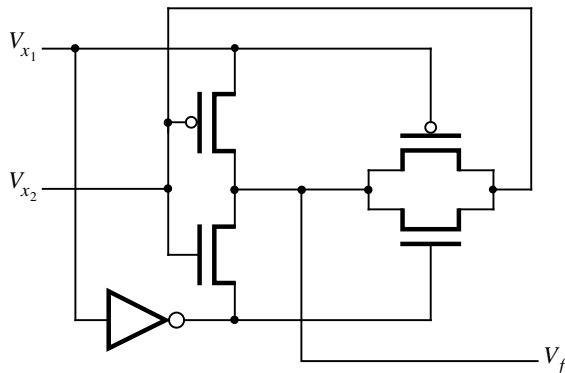
- (c) the static power dissipation in the inverter
- (d) If a chip contains 500,000 inverters used in this manner, find the total static power dissipation.
- B.36** Using the style of drawing in Figure B.70, draw a picture of a PLA programmed to implement  $f_1(x_1, x_2, x_3) = \sum m(1, 2, 4, 7)$ . The PLA should have the inputs  $x_1, \dots, x_3$ ; the product terms  $P_1, \dots, P_4$ ; and the outputs  $f_1$  and  $f_2$ .
- B.37** Using the style of drawing in Figure B.70, draw a picture of a PLA programmed to implement  $f_1(x_1, x_2, x_3) = \sum m(0, 3, 5, 6)$ . The PLA should have the inputs  $x_1, \dots, x_3$ ; the product terms  $P_1, \dots, P_4$ ; and the outputs  $f_1$  and  $f_2$ .
- B.38** Show how the function  $f_1$  from Problem B.36 can be realized in a PLA of the type shown in Figure B.71. Draw a picture of such a PLA programmed to implement  $f_1$ . The PLA should have the inputs  $x_1, \dots, x_3$ ; the sum terms  $S_1, \dots, S_4$ ; and the outputs  $f_1$  and  $f_2$ .
- B.39** Show how the function  $f_1$  from Problem B.37 can be realized in a PLA of the type shown in Figure B.71. Draw a picture of such a PLA programmed to implement  $f_1$ . The PLA should have the inputs  $x_1, \dots, x_3$ ; the sum terms  $S_1, \dots, S_4$ ; and the outputs  $f_1$  and  $f_2$ .
- B.40** Repeat Problem B.38 using the style of PLA drawing shown in Figure B.67.
- B.41** Repeat Problem B.39 using the style of PLA drawing shown in Figure B.67.
- B.42** Given that  $f_1$  is implemented as described in Problem B.36, list all of the other possible logic functions that can be realized using output  $f_2$  in the PLA.
- B.43** Given that  $f_1$  is implemented as described in Problem B.37, list all of the other possible logic functions that can be realized using output  $f_2$  in the PLA.
- B.44** Consider the function  $f(x_1, x_2, x_3) = x_1\bar{x}_2 + x_1x_3 + x_2\bar{x}_3$ . Show a circuit using 5 two-input lookup-tables (LUTs) to implement this expression. As shown in Figure B.39, give the truth table implemented in each LUT. You do not need to show the wires in the FPGA.
- \*B.45** Consider the function  $f(x_1, x_2, x_3) = \sum m(2, 3, 4, 6, 7)$ . Show how it can be realized using two two-input LUTs. As shown in Figure B.39, give the truth table implemented in each LUT. You do not need to show the wires in the FPGA.
- B.46** Given the function  $f = x_1x_2x_4 + x_2x_3\bar{x}_4 + \bar{x}_1\bar{x}_2\bar{x}_3$ , a straightforward implementation in an FPGA with three-input LUTs requires four LUTs. Show how it can be done using only 3 three-input LUTs. Label the output of each LUT with an expression representing the logic function that it implements.
- B.47** For  $f$  in Problem B.46, show a circuit of two-input LUTs that realizes the function. You are to use exactly seven two-input LUTs. Label the output of each LUT with an expression representing the logic function that it implements.
- B.48** Figure B.39 shows an FPGA programmed to implement a function. The figure shows one pin used for function  $f$ , and several pins that are unused. Without changing the programming of any switch that is turned *on* in the FPGA in the figure, list 10 other logic functions, in addition to  $f$ , that can be implemented on the unused pins.

- B.49** Assume that a gate array contains the type of logic cell depicted in Figure PB.9. The inputs  $in_1, \dots, in_7$  can be connected to either 1 or 0, or to any logic signal.
- (a) Show how the logic cell can be used to realize  $f = x_1x_2 + x_3$ .
- (b) Show how the logic cell can be used to realize  $f = x_1x_3 + x_2x_3$ .



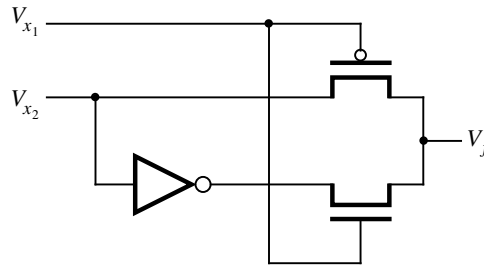
**Figure PB.9** A gate-array logic cell.

- B.50** Assume that a gate array exists in which the logic cell used is a three-input NAND gate. The inputs to each NAND gate can be connected to either 1 or 0, or to any logic signal. Show how the following logic functions can be realized in the gate array. (*Hint*: Use DeMorgan's theorem.)
- (a)  $f = x_1x_2 + x_3$
- (b)  $f = x_1x_2x_4 + x_2x_3\bar{x}_4 + \bar{x}_1$
- B.51** What logic gate is realized by the circuit in Figure PB.10? Does this circuit suffer from any major drawbacks?



**Figure PB.10** Circuit for Problem B.51.

- \*B.52** What logic gate is realized by the circuit in Figure PB.11? Does this circuit suffer from any major drawbacks?



**Figure PB.11** Circuit for Problem B.52.

## REFERENCES

1. A. S. Sedra and K. C. Smith, *Microelectronic Circuits*, 5th ed. (Oxford University Press: New York, 2003).
2. J. M. Rabaey, *Digital Integrated Circuits*, (Prentice-Hall: Englewood Cliffs, NJ, 1996).
3. Texas Instruments, *Logic Products Selection Guide and Databook CD-ROM*, 1997.
4. National Semiconductor, *VHC/VHCT Advanced CMOS Logic Databook*, 1993.
5. Motorola, *CMOS Logic Databook*, 1996.
6. Toshiba America Electronic Components, *TC74VHC/VHCT Series CMOS Logic Databook*, 1994.
7. Integrated Devices Technology, *High Performance Logic Databook*, 1994.
8. J. F. Wakerly, *Digital Design Principles and Practices* 3rd ed. (Prentice-Hall: Englewood Cliffs, NJ, 1999).
9. M. M. Mano, *Digital Design* 3rd ed. (Prentice-Hall: Upper Saddle River, NJ, 2002).
10. R. H. Katz, *Contemporary Logic Design* (Benjamin/Cummings: Redwood City, CA, 1994).
11. J. P. Hayes, *Introduction to Logic Design* (Addison-Wesley: Reading, MA, 1993).
12. D. D. Gajski, *Principles of Digital Design* (Prentice-Hall: Upper Saddle River, NJ, 1997).
13. Lattice Semiconductor, Simple PLDs Data Sheets, <http://www.latticesemi.com>
14. V. C. Hamacher, Z. G. Vranesic, S. G. Zaky, and N. Manjikian, *Computer Organization and Embedded Systems*, 6th ed. (McGraw-Hill: New York, 2011).
15. D. A. Patterson and J. L. Hennessy, *Computer Organization and Design—The Hardware/Software Interface*, 3rd ed. (Morgan Kaufmann: San Francisco, CA, 2004).



*This page intentionally left blank*

---

## answers

---

### CHAPTER 1

- 1.1.** (a) 10100 (b) 1100100 (c) 10000001 (d) 100000100 (e) 101000000000000  
**1.4.** (a) 10001 (b) 100001 (c) 1000011 (d) 10000010 (e) 1010000000000  
(f) 11001000000000000  
**1.6.** (a) 9 (b) 28 (c) 63 (d) 2730  
**1.8.** (a) 9 (b) 10 (c) 10 (d) 11

---

### CHAPTER 2

- 2.7.** (a) Yes (b) Yes (c) No  
**2.12.**  $f = x_1x_3 + x_2x_3 + \bar{x}_2\bar{x}_3$   
**2.15.**  $f = (x_1 + x_2)(\bar{x}_2 + x_3)$   
**2.20.**  $f = x_2x_3 + x_1\bar{x}_3$   
**2.23.**  $f = (x_1 + x_2)(\bar{x}_1 + \bar{x}_3)$   
**2.28.**  $f = x_1x_2 + x_1x_3 + x_2x_3$   
**2.32.**  $f = (x_1 + x_2 + \bar{x}_3)(x_1 + \bar{x}_2 + x_3)(\bar{x}_1 + \bar{x}_2 + \bar{x}_3)(\bar{x}_1 + x_2 + x_3)$   
**2.33.**  $f = \bar{x}_1x_3 + \bar{x}_1x_2 + x_2x_3 + x_1\bar{x}_2\bar{x}_3$   
**2.37.** SOP form:  $f = \bar{x}_1x_2 + \bar{x}_2x_3$   
POS form:  $f = (\bar{x}_1 + \bar{x}_2)(x_2 + x_3)$   
**2.38.** SOP form:  $f = x_1\bar{x}_2 + x_1x_3 + \bar{x}_2x_3$   
POS form:  $f = (x_1 + x_3)(x_1 + \bar{x}_2)(\bar{x}_2 + x_3)$   
**2.41.** SOP form:  $f = \bar{x}_3\bar{x}_5 + \bar{x}_3x_4 + x_2x_4\bar{x}_5 + \bar{x}_1x_3\bar{x}_4x_5 + x_1x_2\bar{x}_4x_5$   
POS form:  $f = (\bar{x}_3 + x_4 + x_5)(\bar{x}_3 + \bar{x}_4 + \bar{x}_5)(x_2 + \bar{x}_3 + \bar{x}_4)(x_1 + x_3 + x_4 + \bar{x}_5)(\bar{x}_1 + x_2 + x_4 + \bar{x}_5)$   
**2.45.**  $f = x_1x_2x_3 + x_1x_2x_4 + x_1x_3x_4 + x_2x_3x_4$

- 2.47.** The statement is false. As a counter example consider  $f(x_1, x_2, x_3) = \sum m(0, 5, 7)$ . Then, the minimum-cost SOP form  $f = x_1x_3 + \bar{x}_1\bar{x}_2\bar{x}_3$  is unique. But, there are two minimum-cost POS forms:

$$f = (x_1 + \bar{x}_3)(\bar{x}_1 + x_3)(x_1 + \bar{x}_2) \quad \text{and}$$

$$f = (x_1 + \bar{x}_3)(\bar{x}_1 + x_3)(\bar{x}_2 + x_3)$$

- 2.48.** In a combined circuit:

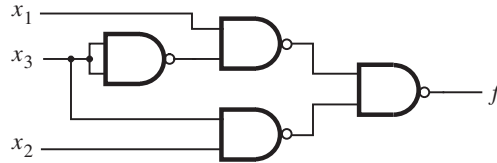
$$f = \bar{x}_2x_3\bar{x}_4 + \bar{x}_1\bar{x}_3\bar{x}_4 + x_1\bar{x}_2\bar{x}_3x_4 + \bar{x}_1x_2x_3$$

$$g = \bar{x}_2x_3\bar{x}_4 + \bar{x}_1\bar{x}_3\bar{x}_4 + x_1\bar{x}_2\bar{x}_3x_4 + x_1x_2x_4$$

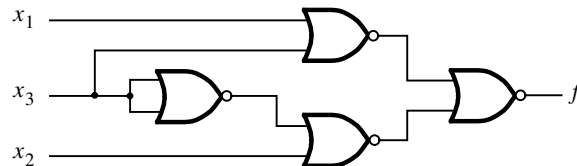
The first 3 product terms are shared, hence the total cost is 31.

- 2.50.**  $f = (x_1 + x_4 + x_5) \cdot (x_1 + x_2 + x_3) \cdot (\bar{x}_1 + \bar{x}_2 + x_3) \cdot (\bar{x}_1 + \bar{x}_4 + x_5)$

- 2.54.** The circuit is



- 2.56.** The circuit is



- 2.66.** Representing both functions in the form of Karnaugh map, it is easy to show that  $f = g$ .

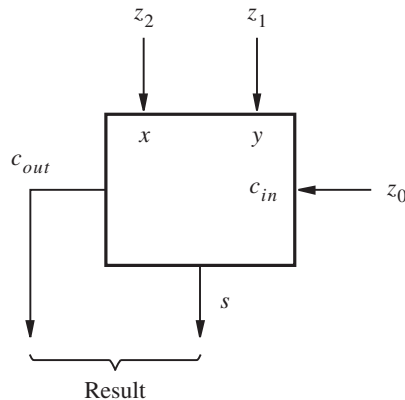
## CHAPTER 3

- 3.1.** (a) 478    (b) 743    (c) 2025    (d) 41567    (e) 61680
- 3.2.** (a) 478    (b) -280    (c) -1
- 3.3.** (a) 478    (b) -281    (c) -2

**3.4.** The numbers are represented as follows:

Decimal	Sign and Magnitude	1's Complement	2's Complement
73	000001001001	000001001001	000001001001
1906	011101110010	011101110010	011101110010
-95	100001011111	111110100000	111110100001
-1630	111001011110	100110100001	100110100010

- 3.11.** Yes, it works. The NOT gate that produces  $c_i$  is not needed in stages where  $i > 0$ . The drawback is “poor” propagation of  $\bar{c}_i = 1$  through the topmost NMOS transistor. The positive aspect is fewer transistors needed to produce  $\bar{c}_{i+1}$ .
- 3.12.** From Equation 3.4, each  $c_i$  requires  $i$  AND gates and one OR gate. Therefore, to determine all  $c_i$  signals we need  $\sum_{i=1}^n (i + 1) = (n^2 + 3n)/2$  gates. In addition to this, we need  $3n$  gates to generate all  $g$ ,  $p$ , and  $s$  functions. Therefore, a total of  $(n^2 + 9n)/2$  gates are needed.
- 3.13.** 84 gates
- 3.17.** The code in Figure P3.2 represents a multiplier. It multiplies the lower two bits of *Input* by the upper two bits of *Input*, producing the four-bit *Output*.
- 3.21.** A full-adder circuit can be used, such that two of the bits of the number are connected as inputs  $x$  and  $y$ , while the third bit is connected as the carry-in. Then, the carry-out and sum bits will indicate how many input bits are equal to 1. The circuit is



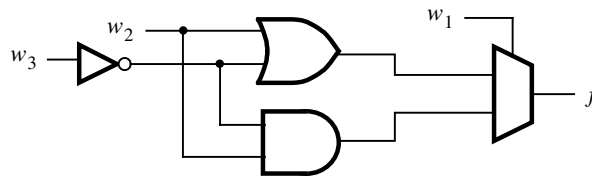
## CHAPTER 4

4.3.

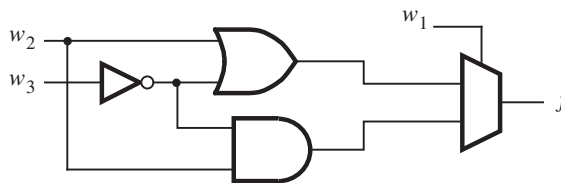
$w_1$	$w_2$	$w_3$	$f$
0	0	0	1
0	0	1	0
0	1	0	1
0	1	1	1
1	0	0	0
1	0	1	0
1	1	0	1
1	1	1	0

$w_1$	$f$
0	$w_2 + \bar{w}_3$
1	$w_2 \bar{w}_3$



4.5. The derived circuit is



4.10.  $f(w_1, w_2, \dots, w_n) = [w_1 + f(0, w_2, \dots, w_n)] \cdot [\bar{w}_1 + f(1, w_2, \dots, w_n)]$

4.11. Expansion of  $f$  in terms of  $w_2$  gives

$$\begin{aligned}
 f &= \bar{w}_2(\bar{w}_1 + \bar{w}_3) + w_2(w_1 w_3) \\
 &= w_2 \oplus (\bar{w}_1 + \bar{w}_3) \\
 &= w_2 \oplus \bar{w}_1 \bar{w}_3
 \end{aligned}$$

The cost of this circuit is 2 gates + 4 inputs = 6.

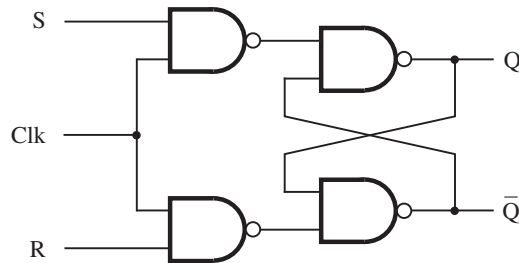
4.13.

$$\begin{aligned}
 a &= w_3 + w_2 w_0 + w_1 + \bar{w}_2 \bar{w}_0 \\
 b &= \bar{w}_1 \bar{w}_0 + w_1 w_0 + \bar{w}_2 \\
 c &= w_2 + \bar{w}_1 + w_0
 \end{aligned}$$

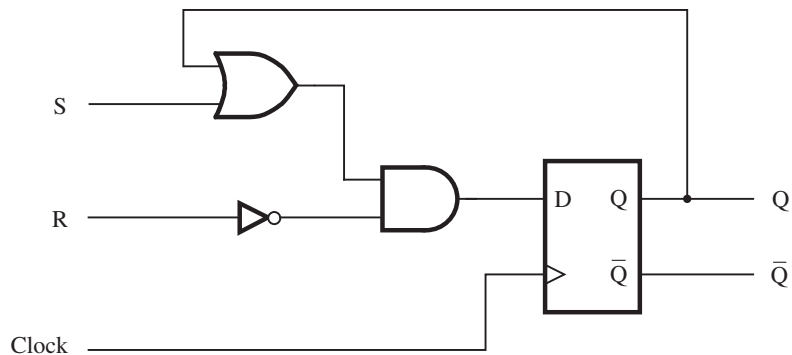
- 4.18.** The code in Figure P4.2 is a 2-to-4 decoder with an enable input. It is not a good style for defining this decoder. The code is not easy to read. Moreover, the Verilog compiler often turns **if** statements into multiplexers, in which case the resulting decoder may have multiplexers controlled by the *En* signal on the output side.

## CHAPTER 5

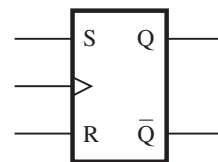
- 5.3.** The circuit is



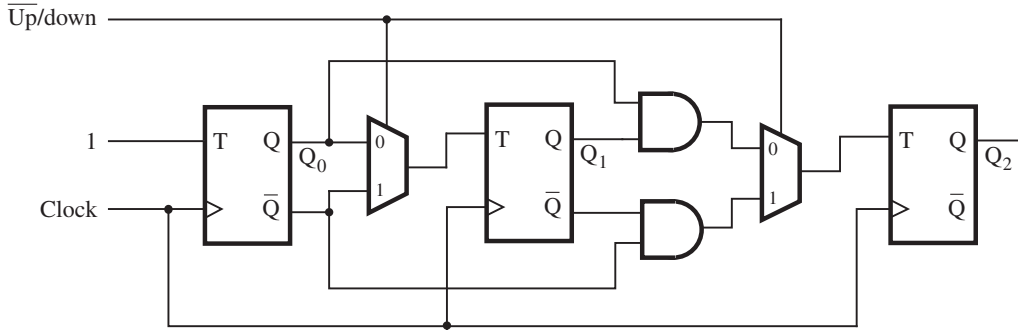
- 5.5.** A possible circuit is



S	R	$Q(t+1)$
0	0	$Q(t)$
0	1	0
1	0	1
1	1	0



- 5.8. The circuit acts as a negative-edge-triggered JK flip-flop, in which  $J = A$ ,  $K = B$ , Clock =  $C$ ,  $Q = D$ , and  $\bar{Q} = E$ .
- 5.15. The following circuit implements the desired counter



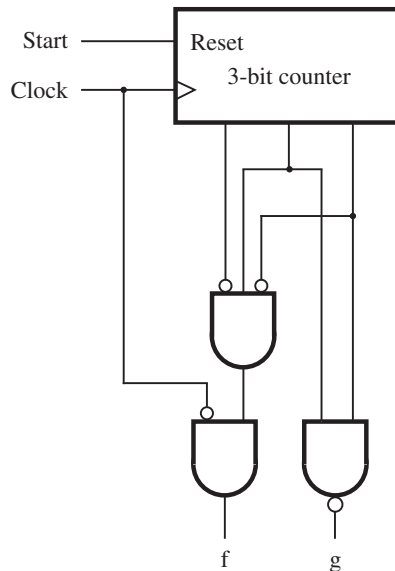
- 5.17. The counting sequence is 000, 001, 010, 111.
- 5.21. The longest delay in the circuit is the from the output of FF<sub>0</sub> to the input of FF<sub>3</sub>. This delay totals 5 ns. Thus the minimum period for which the circuit will operate reliably is

$$T_{\min} = 5 + 3 + 1 = 9 \text{ ns}$$

The maximum frequency is

$$F_{\max} = 1/T_{\min} = 111 \text{ MHz}$$

- 5.26. A suitable circuit is



## CHAPTER 6

- 6.1.** The expressions for the inputs of the flip-flops are

$$D_2 = Y_2 = \bar{w}y_2 + \bar{y}_1\bar{y}_2$$

$$D_1 = Y_1 = w \oplus y_1 \oplus y_2$$

The output equation is  $z = y_1y_2$ .

- 6.2.** The expressions for the inputs of the flip-flops are

$$J_2 = \bar{y}_1$$

$$K_2 = w$$

$$J_1 = \bar{w}y_2 + w\bar{y}_2$$

$$K_1 = J_1$$

The output equation is  $z = y_1y_2$ .

- 6.5.** Minimal state table is

Present state	Next state		Output $z$
	$w = 0$	$w = 1$	
A	A	B	0
B	E	C	0
C	D	C	0
D	A	F	1
E	A	F	0
F	E	C	1

- 6.6.** Minimal state table is

Present state	Next state		Output $z$	
	$w = 0$	$w = 1$	$w = 0$	$w = 1$
A	A	B	0	0
B	D	C	0	0
C	D	C	1	0
D	A	B	0	1



**6.12.** Minimal state table is

Present state	Next state		Output $p$
	$w = 0$	$w = 1$	
A	B	C	0
B	D	E	0
C	E	D	0
D	A	F	0
E	F	A	0
F	B	C	1

**6.15.** The next-state expressions are

$$D_4 = Y_4 = \bar{w}y_3 + wy_1$$

$$D_3 = Y_3 = \bar{w}(y_1 + y_4)$$

$$D_2 = Y_2 = \bar{w}y_2 + wy_4$$

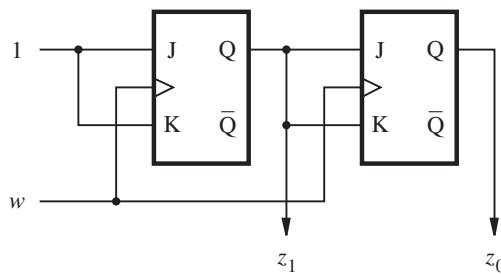
$$D_1 = Y_1 = w(y_2 + y_1)$$

The output is given by  $z = y_4$ .

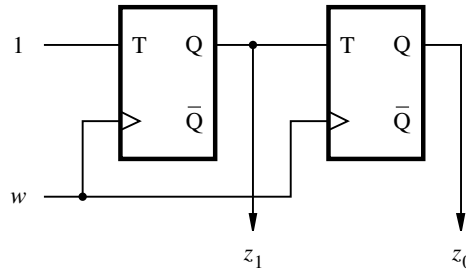
**6.17.** Minimal state table is

Present state	Next state		Output $z$	
	$w = 0$	$w = 1$	$w = 0$	$w = 1$
A	A	C	0	0
C	F	C	0	1
F	C	A	0	1

**6.21.** The desired circuit is



**6.22.** The desired circuit is



**6.29.** The state table is

Present state	Next state		Output $z$
	$w = 0$	$w = 1$	
A	A	C	0
B	A	D	1
C	A	D	0
D	A	B	0

The circuit produces  $z = 1$  whenever the input sequence on  $w$  comprises a 0 followed by an even number of 1s.

## CHAPTER 8

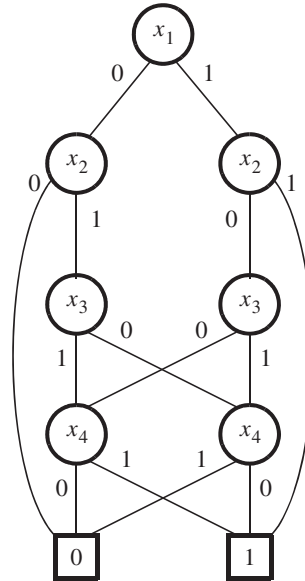
**8.1.**  $f = (x_3 \uparrow g) \uparrow ((g \uparrow g) \uparrow x_4)$  where  $g = (x_1 \uparrow (x_2 \uparrow x_2)) \uparrow ((x_1 \uparrow x_1) \uparrow x_2)$

**8.2.**  $\bar{f} = (((x_3 \downarrow x_3) \downarrow g) \downarrow ((g \downarrow g) \downarrow (x_4 \downarrow x_4)))$ , where  $g = ((x_1 \downarrow x_1) \downarrow x_2) \downarrow (x_1 \downarrow (x_2 \downarrow x_2))$ . Then,  $f = \bar{\bar{f}}$ .

**8.5.**  $f = \bar{x}_1(x_2 + x_3)(x_4 + x_5) + x_1(\bar{x}_2 + x_3)(\bar{x}_4 + x_5)$

**8.8.**  $f = g \cdot h + \bar{g} \cdot \bar{h}$ , where  $g = x_1x_2$  and  $h = x_3 + x_4$

**8.12.** The BDD is



**8.18.**  $f = \bar{x}_1\bar{x}_2\bar{x}_4 + \bar{x}_1x_2\bar{x}_3 + x_1\bar{x}_2\bar{x}_3 + x_2x_3x_4$

## CHAPTER 9

**9.1.** The flow table is

Present state	Next state				$z_2z_1$
	$w_2w_1 = 00$	01	10	11	
A	D	C	D	C	11
B	D	D	(B)	(B)	10
C	D	(C)	D	(C)	01
D	(D)	C	B	C	00

The behavior is the same as described in the flow table in Figure 9.21a, if the state interchanges  $A \leftrightarrow D$  and  $B \leftrightarrow C$  are made.

**9.8.** Using the merger diagram in Figure 9.40a, the FSM in Figure 9.39 becomes

Present state	Next state				Output $z$
	$w_2w_1 = 00$	01	10	11	
A	(A)	G	E	–	0
B	(B)	C	(B)	D	0
C	B	(C)	E	(C)	1
D	–	C	E	(D)	0
E	A	–	(E)	D	1
G	B	(G)	–	D	1

**9.10.** The minimum-cost hazard-free implementation is

$$f = \bar{x}_1\bar{x}_3\bar{x}_4 + x_1x_2x_4 + x_1x_3x_4$$

**9.12.** The minimum-cost hazard-free POS implementation is

$$f = (x_1 + x_2 + x_4)(x_1 + x_2 + \bar{x}_3)(x_1 + \bar{x}_3 + \bar{x}_4)(x_2 + \bar{x}_3 + x_4)$$

**9.14.** If  $A = B = D = E = 1$  and  $C$  changes from 0 to 1, then  $f$  changes  $0 \rightarrow 1 \rightarrow 0$  and  $g$  changes  $0 \rightarrow 1 \rightarrow 0 \rightarrow 1$ . Therefore, there is a static hazard on  $f$  and a dynamic hazard on  $g$ .

**9.17.** The excitation table is

Present state $y$	Next state				Output			
	$wc = 00$	01	10	11	00	01	10	11
	$Y$				$z$			
0	(0)	(0)	1	(0)	0	0	0	0
1	0	(1)	(1)	(1)	0	1	0	1

The next-state expression is  $Y = w\bar{c} + cy + wy$ . Note that the term  $wy$  is included to prevent a static hazard. The output expression is  $z = cy$ .

---

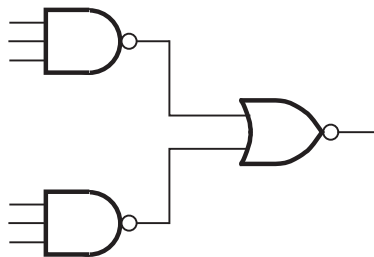
**CHAPTER 11**

- 11.1.** A minimal test set must include the tests  $w_1w_2w_3 = 011, 101, \text{ and } 111$ , as well as one of  $000, 010, \text{ or } 100$ .
- 11.3.** The two functions differ only in the vertex  $x_1x_2x_3x_4 = 0111$ . Therefore, the circuits can be distinguished by applying this input valuation.
- 11.5.** The tests are  $w_1w_2w_3w_4 = 1111, 1110, 0111, \text{ and } 1111$ .
- 11.9.** Cannot detect if the input wire  $w_1$  is stuck-at-1. The reason is that this circuit is highly redundant. It realizes the function  $f = w_3(\bar{w}_1 + \bar{w}_2)$ , which can be implemented with a simpler circuit.
- 11.11.** Test set =  $\{0000, 0111, 1111, 1000\}$ . It would work with XORs implemented as shown in Figure 4.26c. For  $n$  bits, the same patterns can be used; thus
- $$\text{Test set} = \{00 \dots 00, 011 \dots 1, 11 \dots 1, 100 \dots 0\}.$$
- 11.12.** In the decoder circuit in Figure 6.16c the four AND gates are enabled only if the  $En$  signal is active. The required test set has to include all four valuations of  $w_1$  and  $w_2$  when  $En = 1$ . It is also necessary to test if the  $En$  wire is stuck at 1, which can be accomplished with the test  $w_1w_2En = 000$ . Therefore, a complete test set comprises  $w_1w_2En = 000, 001, 011, 101, \text{ and } 111$ .

---

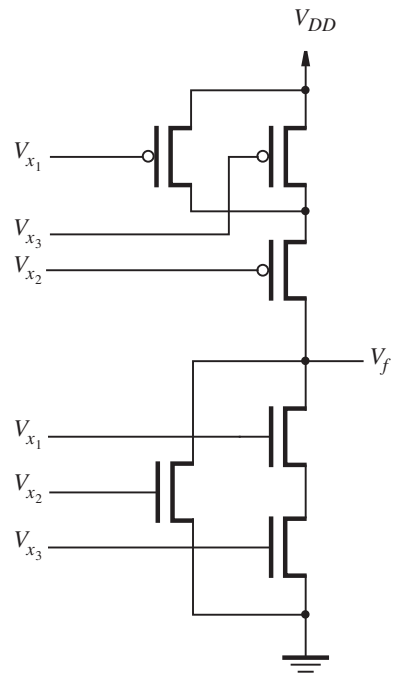
**APPENDIX B**

- B.4.** Using the circuit

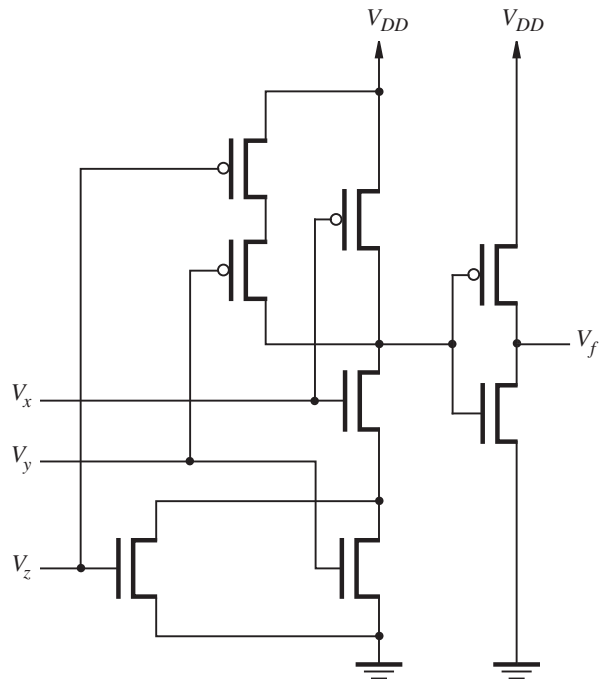


The number of transistors needed is 16.

**B.8.** The complete circuit is



**B.12.** The required circuit is



**B.14.** (a)  $I_D = 800 \mu\text{A}$       (b)  $I_D = 78 \mu\text{A}$

**B.17.**  $R_{DS} = 947 \Omega$

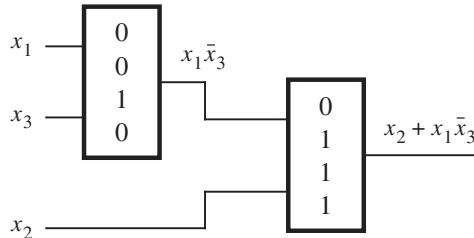
**B.25.** (a)  $NM_H = 0.5 \text{ V}$      $NM_L = 0.7 \text{ V}$       (b)  $V_{OL} = 0.8 \text{ V}$      $NM_L = 0.2 \text{ V}$

**B.28.** (a)  $P_{\text{NOT\_gate}} = 163 \mu\text{W}$       (b)  $P_{\text{total}} = 8.2 \text{ W}$

**B.32.** The two NMOS transistors in a CMOS NOR gate are connected in parallel. The worst case current to drive the output low happens when only one of these transistors is turned “ON”. Thus each transistor has to have the same dimensions as the NMOS transistor in the inverter, namely  $W_n/L_n = 2$ .

The two PMOS transistors are connected in series. If each of these transistors had the ratio  $W_p/L_p$ , then the two transistors could be thought of as one transistor with a  $W_p/2L_p$  ratio. Thus each PMOS transistor must be made twice as wide as that in the inverter, namely  $W_n/L_n = 8$ .

**B.45.**  $f = x_2 + x_1\bar{x}_3$ . The corresponding circuit is



**B.55.** The circuit in Figure PB.11 is a two-input XOR gate. This circuit has two drawbacks: when both inputs are 0 the PMOS transistor must drive  $f$  to 0, resulting in  $f = V_T$  volts. Also, when  $x_1 = 1$  and  $x_2 = 0$ , the NMOS transistor must drive the output high, resulting in  $f = V_{DD} - V_T$ .

# INDEX

## A

ABC system, 536  
Absorption property, 35  
Accumulator, 272  
Active clock edge, 332  
Active-low signal, 201  
Adder:  
    BCD, 176  
    carry lookahead, 146  
    carry-save array, 183  
    full-adder, 127  
    half-adder, 32, 125  
    in Verilog code, 152–163, 641  
    propagation delay, 129, 151  
    ripple-carry, 129  
    serial, 363  
Adder/subtractor, 139  
Addition, 32, 125  
    BCD, 174  
    carry, 125  
    generate function, 146  
    overflow, 143, 648  
    propagate function, 146  
    sum, 125  
    Verilog, 159–163  
Address, 796  
Aliasing problem in testing, 673  
Algorithm, 441  
Algorithmic state machine (ASM):  
    ASM charts, 401  
    ASM block, 404  
    conditional output box, 402  
    decision box, 402  
    implied timing, 404  
    state box, 401  
Alphanumeric characters, 14  
Altera Corporation, 8  
**always** block (Verilog), 74, 698  
Analog information, 16  
Analysis, 29, 504  
AND function, 23  
AND gate (*see* Gates)  
And-or-invert cells, 807  
AND plane (also AND array), 754  
Anode terminal, 304  
Arbiter circuit, 393, 571  
Arithmetic:  
    floating-point (*see* Floating point)  
    operators (Verilog), 226

    overflow, 143  
    (*See also* Addition; Division; Multiplication; Subtraction)  
Arithmetic and logic unit (ALU), 218  
Arithmetic assignment (Verilog), 159  
Array multiplier (*see* Multiplication)  
ASCII code, 14  
ASIC, 5, 769  
ASM chart (*see* Algorithmic state machine)  
Aspect ratio, 794  
**assign** (Verilog), 70  
Associative property, 35  
Asynchronous clear (reset), 263  
Asynchronous clear (in Verilog), 294, 718  
Asynchronous counter, 269  
Asynchronous inputs, 482  
Asynchronous sequential circuit (*see* Sequential circuits)  
Axioms of Boolean algebra, 33

## B

Barrel shifter, 238, 687  
BCD (*see* Binary-coded decimal), 96, 176  
BCD-to-7-segment converter, 96  
BDD (*see* binary decision diagram)  
BDD packages, 520  
**begin** (Verilog), 156, 699  
**begin-end** block (Verilog), 156, 699  
Behavioral Verilog code, 70, 699  
BGA package, 766  
BILBO (Built-in Logic Block Observer), 673  
Binary-coded decimal (BCD), 174  
    addition, 174  
    counter, 280  
    digits, 174  
Binary decision diagram (BDD), 514  
Binary numbers, 12  
    in Verilog code, 166, 687  
Binary variable, 23  
BIST (Built-in Self Test), 669  
Bit, 12  
Bit-counting circuit, 441  
Bit-select (Verilog), 689  
Bitwise operators (Verilog), 223  
Blocking assignment (Verilog), 288, 700  
Body effect, 785  
Boolean algebra, 33  
Boundary scan, 676  
Branching heuristic, 91, 527



- Buffer (*see* Driver)
- Bus, 422
- Bypass capacitor, 677
- Byte, 13
  
- C**
- CAD (*see* Computer aided design)
- Canonical expressions:
  - canonical product-of-sums, 52
  - canonical sum-of-products, 49
- Capacitance, 779
- Carry:
  - carry-in, 125
  - carry-out, 126
- Carry chain, 645
- Carry lookahead adder, 146
- Carry-save adder, 183
- case** statement, 215, 702
- casex** statement, 220, 703
- casez** statement, 220, 703
- Cathode terminal, 304
- Channel (in MOSFET), 774
- Character codes, 14
- Characteristic impedance, 678
- Characteristic table, 249
- Chip configuration, 68
- Circuit size, 764
- Clear input, 260
- Clock, 251
- Clock divider, 304
- Clock enable, 301
- Clock network, 480
- Clock skew, 312
- Clock synchronization, 478
- Clock-to-Q delay ( $t_{cQ}$ ), 263
- Clock-to-output time ( $t_{co}$ ), 285
- CMOS technology, 655
- Code:
  - BCD, 96
  - converter, 208
  - error-detecting, 241
  - Gray, 82, 235
  - One-hot, 201, 281
- Cofactor, 198, 516
- Coincidence operation, 128
- Column dominance, 524
- Combinational circuits, 190–242
- Combining property, 35, 79
- Comment (Verilog), 72
- Commutative property, 35
- Comparator, 208, 227
- Compatible states, 581
- Complement:
  - diminished radix, 142
  - of a logic variable, 26
  - 1's, 133
  - radix, 139
  - 2's, 133
- Complementary metal-oxide semiconductor (*see* CMOS technology)
- Complex gate (CMOS), 715
- Complex programmable logic device (CPLD), 761
- Compressor circuit, 671
- Computer-aided design (CAD), 65
  - chip configuration, 68
  - design entry, 65
  - functional simulation, 67
  - layout synthesis (physical design), 67
  - logic synthesis (optimization), 67
  - technology mapping, 537, 640
  - timing simulation, 67
- Concatenation (Verilog), 161, 227
- Conditional operator (Verilog), 210
- Consensus property, 40
- Consistency check, 659
- Constant (in Verilog), 166
- Continuous assignment (Verilog), 70, 696
- Control circuit, 422
- Cost, 50, 89
- Counter:
  - asynchronous, 269
  - BCD, 280
  - down, 271
  - enable and clear capability, 274
  - Johnson, 283
  - modulo-n, 278
  - parallel load of, 276
  - reset of, 278
  - ring, 281
  - ripple, 271
  - synchronous, 272
  - up, 270
  - up/down, 272
  - Verilog code, 298–300, 721
- Cover, 88
  - minimal, 88
  - table, 522
- Critical path, 145, 310
- Crossbar, 193
- Cross-coupled gates, 249
- Crosstalk, 677
- Cubical representation, 510
- Current flow:
  - dynamic, 731
  - gate, 726
  - leakage, 777
  - short circuit, 784
  - static, 731
- Custom chips, 5, 769
- Cut-off region, 726
- Cut set, 564

**D**

D flip-flop (*see* Flip-flop)  
 D-algorithm, 661  
 Datapath, 422  
 DC-set, 94  
 Debouncing, 483  
 Decimal numbers, 12  
 Decision tree, 514  
 Decoder, 201, 433  
   tree, 203  
 Decomposition (*see* Functional decomposition)  
**default** case alternative (Verilog), 215  
**defparam** (Verilog), 163  
 Delay (*see* Propagation delay)  
 Delay (in Verilog), 694, 698  
 DeMorgan's theorem, 35, 42  
 Demultiplexer, 203  
 Design, 6  
 Design entry, 65  
 Design for testability, 665  
 Design process, 6  
 Digital hardware, 2  
 Digital information, 16  
 Digital system, 422  
 Diminished radix complement, 142  
 Disjoint decomposition, 500  
 Distributive property, 35  
 Division, 455  
 Don't-care condition, 94  
   in Verilog code, 704  
 Double precision (*see* Floating point)  
 Down-counter, (*see* Counter)  
 Drain (in MOSFET transistor), 735  
 Driver, 751, 791  
   inverting, 793  
   tri-state, 792  
 Duality, 34  
 Duty cycle, 489  
 Dynamic hazard, 609, 613

**E**

Edge (in signals), 257  
 Edge-triggered, 256, 267  
 Electrically-erasable programmable read-only memory (EEPROM), 799  
 Enable input, 201, 274, 301  
 Encoder, 205  
   binary, 205  
   priority, 205  
**end** (Verilog), 699  
 Energy (capacitor), 732  
 Equality operators (Verilog), 226  
 Equivalence:  
   of logic expressions, 31  
   of states, 374

Equivalent-gates metric, 764  
 Erasable programmable read-only memory (EPROM), 801  
 Errors in Verilog code, 706  
 Escaped identifier, 687  
 Espresso, 536  
 Essential prime implicant, 89  
 Event expression (Verilog), 24, 703  
 Excess-127 format, 173  
 Excess-1023 format, 173  
 Excitation table, 388, 556  
 Exclusive-NOR (XNOR) gate (*see* Gates)  
 Exclusive-OR (XOR) gate (*see* Gates)  
 Expansion theorem (Shannon's), 198, 515

**F**

Factoring, 493  
 Fall time, 781  
 Fan-in, 151, 493, 788  
 Fan-out, 790  
 Fault:  
   detection, 659  
   model, 654  
   propagation, 659  
   stuck-at, 654  
 Feedback, 248  
 Field-programmable gate array (FPGA), 5, 764, 804  
 Finite state machine (FSM), 333  
   incompletely specified, 381  
   summary of design procedure, 340  
 Fixed-point numbers, 170  
 Flip-flop, 258  
 Flip-flops:  
   clear and preset inputs, 260  
   clock-to-Q delay ( $t_{cQ}$ ), 263  
   configurable (in PLDs), 285  
   D, 256–262  
   edge-triggered, 256, 258, 267  
   JK, 264  
   hold time, 263  
   master-slave, 256, 558  
   setup time, 263  
   SR, 322  
   T, 263  
   Timing parameters, 263  
   Verilog code for, 288, 717  
 Floating gate, 799  
 Floating point, 172  
   double precision, 173  
   exponent, 172  
   format, 172  
   IEEE standard, 172  
   mantissa, 172  
   normalized, 172  
   representation, 172  
   single precision, 172

Flow table, 556  
     primitive, 578  
     state reduction, 577  
 $F_{max}$ , 310  
**for** loop statement, 156, 221, 704  
 Fowler-Nordheim tunneling, 799  
 FPLA (*see* PLA)  
 FSM (*see* Finite state machine)  
 Full-adder, 127  
**function** (Verilog), 231, 713  
 Functional behavior, 29  
 Functional decomposition, 493  
 Functional equivalence, 31  
 Functional simulation, 67  
 Fundamental mode, 552, 608  
 Fuse map, 720

**G**

Gate (in MOSFET transistor), 735  
 Gate array, 770  
 Gate delay (*see* Propagation delay)  
 Gate optimization, 638  
 Gated D latch, 253, 285, 717, 788  
 Gated SR latch, 251  
 Gates:  
     AND, 27, 738  
     NAND, 54, 738, 741  
     NOR, 54, 738, 743  
     NOT, 27  
     OR, 27, 738  
     XNOR, 128  
     XOR, 32, 128  
**generate** (Verilog), 157, 228, 712  
**genvar** (Verilog), 157, 228, 712  
 Glitch, 561  
 Global signals, 480  
 Gray code, 82, 235

**H**

H tree, 480  
 Half-adder, 32, 125  
 Hamming distance, 592  
 Handshake signaling, 571  
 Hardware description language (HDL), 65  
 Hazard, 556, 608  
     dynamic, 609, 613  
     static, 609  
 Heuristic approach, 90  
 Hexadecimal numbers, 123  
 Hierarchical design, 65  
 Hierarchical Verilog code, 163  
 High-level behavioral Verilog code, 309  
 High-impedance output, 220, 422  
 Hold time, 256, 263

Huntington's postulates, 35  
 Hypercube, 513

**I**

Identifier (Verilog), 687  
 IEEE, 65  
 IEEE standards (*see* Standards)  
**if-else** statement, 212, 700  
 Implicant, 87  
 Implied memory (Verilog), 286, 702  
 Incompletely specified FSM, 381  
 Incompletely specified functions, 94  
**initial** block (Verilog), 699  
 Input variable, 23  
 Instantiation (of Verilog gates), 71, 110, 694  
 Instantiation (of Verilog modules), 76, 78, 164, 165, 709  
 Instrumentation, 679  
 In-system programming (ISP), 760  
 Integer:  
     in Verilog, 159, 689  
     signed, 132  
     unsigned, 132  
 Integrated circuit (IC), 2  
 International Technology Roadmap for Semiconductors (ITRS), 3  
 Intersection, 38  
 Inversion, 26  
 Inverter (NOT gate), 27, 738

**J**

JK flip-flop, 264  
 Johnson counter, 283  
 JTAG port, 764

**K**

Karnaugh map, 79  
 $k$ -cube, 513  
 $k$ -successor, 374

**L**

Large scale integration (LSI), 753  
 Latch:  
     basic SR, 249  
     gated D, 253, 285  
     gated SR, 251  
     set-dominant SR, 322  
     Verilog code, 287, 717  
 Leakage current, 777  
 Least-significant bit, 13  
 LED (Light emitting diode), 304  
 Level-sensitive element, 254, 258  
 Level-sensitive scan design, 669

Libraries, 65  
 Linear feedback shift register (LFSR), 326, 670  
 Linear region (*see* Triode region)  
 Literal, 87  
 Logic analyzer, 679  
 Logic block, 545  
 Logic circuit, 22, 29  
 Logic expression, 23  
 Logic functions, 23  
   AND, 27  
   NAND, 54  
   NOR, 54  
   NOT, 27  
   OR, 27  
   synthesis, 29  
   XNOR, 128  
   XOR, 128  
 Logic gates, 27  
   drive capability, 791  
   dynamic operation, 729  
   fall time, 781  
   fan-in, 493, 788  
   fan-out, 790  
   noise margin, 778  
   power dissipation, 731  
   propagation delay, 780  
   rise time, 781  
   transfer characteristic, 777  
   Verilog gates, 695  
 Logic network, 28  
 Logic values, 22  
 Logical operators (Verilog), 225  
 Logical product (AND), 43  
 Logical sum (OR), 43  
 Lookup table (LUT), 766  
 Loop statement (*see* **for** loop)

## M

Macrocell, 758  
 Magnitude, 132  
 Majority function, 115  
 Master (*see* Flip-flop, master-slave)  
 Master-slave (*see* Flip-flop)  
 Maxterm, 52  
 Mealy FSM, 332, 349  
   Verilog code, 363, 724  
 Mealy output, 402  
 Mean operation, 466  
 Medium-scale integration (MSI), 753  
 Memory, 795  
   implied memory (Verilog), 286, 436, 702, 690  
 Merger diagram, 581  
 Merging, 578  
   procedure, 581  
 Metal-oxide semiconductor, 734

Metastability, 263, 483  
 Minimization:  
   of logic functions, 89  
   of states, 372, 577  
 Minterm, 48  
 Mixed logic, 748  
**module** (Verilog), 70, 692  
 Moore FSM, 332  
   Verilog code, 355, 723  
 Moore output, 401  
 Moore's law, 3  
 MOSFET transistor, 734  
   on-resistance, 776  
 Most-significant bit, 13  
 Motherboard, 8  
 Multibit assignment (in Verilog), 160  
 Multilevel circuits, 492, 502  
 Multiple-output circuits, 96  
 Multiplexer, 62, 190  
 Multiplexer (Verilog code), 211  
 Multiplication, 167  
   array implementation, 167  
   carry-save array, 183  
   partial product, 167  
   sequential implementation, 446  
   signed-operand, 169  
 Mutual exclusion element (ME), 577

## N

Named port connection, 165, 709  
 Names (Verilog), 687  
 NAND circuits, 502, 738, 741  
 NAND gate (*see* Gates)  
   *n*-cube, 513  
 Negative edge, 257  
 Negative logic, 733, 747  
 Negative numbers, 133  
**negedge** (Verilog), 287, 717  
 Net (in Verilog), 158, 686, 688  
 Network, 27  
 Next state, 336, 552  
 Nibble, 13  
 9's complement, 140  
 NMOS technology, 736  
 NMOS transistor, 734  
 Noise, 778  
   margin, 778  
   power supply, 677  
 Non-blocking assignment (Verilog), 289, 700  
 Non-disjoint decomposition, 500  
 Nonvolatile programming, 764  
 NOR gate (*see* Gates)  
 NOR circuits, 502, 738, 741  
 NOR plane, 798  
 NOT function, 27

NOT gate (*see* Gates)

Number conversion, 13

Number representation:

binary coded decimal, 174

fixed-point, 170

floating-point, 172

hexadecimal, 123

octal, 123

1's-complement, 133

positional notation, 122

sign and magnitude, 133

signed integer, 132

10's-complement, 140

2's-complement, 133

unsigned integer, 122

in Verilog, 166, 687

## O

Octal numbers, 123

Odd function, 128

One-hot encoding, 203, 281, 347, 607

1's-complement representation, 133

1149.1 Standard, 676

On-resistance, 776

ON-set, 534

Operations (*see* Logic functions)

Operators (Verilog), 223, 690

Optimization (*see* Minimization)

OR function, 23

OR gate (*see* Gates)

OR plane, 754

Ordered port connection, 165, 709

Ordering of statements, 292

Oscilloscope, 679

Output delay time ( $t_{od}$ ), 481

Overflow (*see* Arithmetic overflow)

## P

Packages (physical):

ball grid array (BGA), 766

dual inline (DIP), 749

pin grid array (PGA), 765

plastic-leaded chip carrier (PLCC), 763

quad flat pack (QFP), 762

small-outline integrated circuit (SOIC), 751

PAL, 757

Parallel-to-serial converter, 268, 415

Parallel transfer, 267

**parameter** (Verilog), 156, 688

Parasitic capacitance, 780

Parity, 240, 413, 565

Partial product, 167

Part-select (Verilog), 689

Pass transistor, 804

Path sensitizing, 657

Physical design, 644

Pins, 646

PLA, 754, 799

Placement, 646, 676

PLD, 5, 753

PMOS transistor, 734

Polysilicon, 772

Port (Verilog), 70, 692

Portability, 66

**posedge** (Verilog), 287, 717

Positional number representation, 12, 122

Positive logic, 733

Power dissipation, 782

Precedence of operations, 43

Present state, 336, 552

Preset input, 260

Price/performance ratio, 145

Prime implicant, 88

Primitive flow table, 578

Printed circuit board (PCB), 3, 676

Priority:

encoder, 205

in Verilog code, 221, 223

Procedural statements (Verilog), 74, 698

Process transconductance parameter, 774

Processor, 432

Product-of-sums form (POS), 52

Programmable array logic (*see* PAL)

Programmable logic array (*see* PLA)

Programmable logic device (*see* PLD)

Programmable ROM (PROM), 768

Propagation delay, 67, 129, 151

Properties of Boolean algebra, 34

Pseudo-NMOS technology, 777

Pseudorandom tests, 670

Pseudorandom binary sequence generator (PRBSG), 670

Pull-down network, 473

Pull-up network, 473

Pull-up resistor, 738

Pulse mode, 552

## Q

Quine-McCluskey method, 521

## R

Race condition, 567

Radix complement, 139

RAM (*see* Static random access memory)

Random testing, 662

Read-only memory (ROM), 804

Reaction timer, 302

Reduction operators (Verilog), 225

Reflections, 677

- reg (Verilog), 156, 689
- Register, 267
  - Verilog code, 295, 718
- Register-Transfer Level (RTL) code, 309, 726
- Relational operators (Verilog), 226
- Reliability, 679
- Replication operator (Verilog), 167, 227
- Reset input, 335
- Reset state, 335
- Resistance (transistor channel), 776
- Ring counter, 281
- Ring Oscillator, 324
- Ripple-carry adder, 129
- Ripple counter, (*see* Counter)
- Rise time, 781
- ROM (*see* Read only memory)
- Routing, 647, 677
  - channel, 769
- Row dominance, 523
  
- S**
- Saturation region, 774
- Scalar (Verilog), 159, 688
- Scan path, 666
- Schematic, 27
- Schematic capture, 65, 151
- Sea-of-gates technology, 771
- Semiconductor, 772
- Semi-custom chips, 5
- Sensitivity list (Verilog), 74, 699
- Sequence detector, 341
- Sequential circuits, 248, 332
  - analysis, 397, 556
  - asynchronous, 551–630
  - definition of, 332
  - excitation table, 388
  - finite state machine, 333
  - flow table, 556
  - formal model, 405
  - merger diagram, 581
  - reset, 335
  - state, 332
  - state assignment, 336, 344, 592
  - state assignment in Verilog, 361
  - state diagram, 334
  - state reduction, 372, 577
  - state table, 335
  - synchronous, 332–415
  - testing, 665
  - transition diagram, 595
- Sequential statement (Verilog), 698
- Serial adder, 363
- Serial parity generator, 565
- Serial transfer, 267
- Series-to-parallel converter, 268
- Set input, 260
- Setup time, 256, 263
- 7400-series chips, 749
- 7-segment display, 63
  - BCD-to-7-segment converter, 96
  - hex-to-7-segment converter, 208
- Shannon's expansion, 198, 515
- Sharp-operation (#-operation), 529
- Shift operators (Verilog), 226
- Shift register, 267
  - Verilog code, 295, 720
- Sign bit, 132
- Signal value (Verilog), 687
- Sign-and-magnitude representation, 133
- Signature, 671
- Signature analysis, 675
- Sign extension, 167, 697
- Signed numbers, 132
- Silicon wafer, 2
- Simplification (*see* Minimization)
- Simulation, 67
- Single-precision (*see* Floating point)
- Skew (*see* Clock skew)
- Slack (timing), 649
- Slave (*see* Flip-flop, master-slave)
- Small-scale integration (SSI), 753
- Socket, 760
- Sort operation, 470
- Source (in MOSFET transistor), 735
- SR latch (*see* Latch)
- Stable state, 552
- Standard cells, 769
- Standard chips, 4
- Standards:
  - IEEE floating-point, 172
  - 1149.1 (Testing), 676
  - Verilog 1364-1995, 68
  - Verilog 1364-2001, 68
  - VHDL, 65
- Star-operation (\*-operation), 529
- Starting state, 334
- State, 248, 332
  - assignment, 336, 344, 592, 607
  - assignment in Verilog, 361
  - compatibility, 581
  - diagram, 334
  - equivalence, 374
  - reduction, 372, 577
  - definition of, 332
  - table, 335
  - variables, 336
- State-adjacency diagram, 595
- State-assigned table, 337
- State machine (*see* Finite state machine)
- Static hazard, 609
- Static random access memory (SRAM), 794

Structural Verilog code, 70  
 Stuck-at fault, 654  
 Substrate, 734  
 Subtraction, 137  
 Sum, 125  
 Sum-of-products form (SOP), 49  
 Synchronize (to clock), 482  
 Synchronous clear, 263  
 Synchronous clear (Verilog), 294, 718  
 Synchronous counter, 272  
 Synchronous sequential circuits (*see* Sequential circuits)  
 Synthesis, 29, 45  
   multilevel, 492

## T

T flip-flop, 263  
 $t_{cQ}$ , 263, 310  
 $t_{co}$ , 285  
 $t_h$ , 256, 263  
 $t_{su}$ , 256, 263  
**task** (Verilog), 229, 715  
 Technology mapping, 537  
 10's complement, 140  
 Terminal node (in BDD), 514  
 Terminations, 678  
 Test, 654  
 Test generation, 656–665  
 Test set, 655  
 Test vectors (*see* Test generation)  
 Testing, 653–680  
 Theorems of Boolean algebra, 34  
 Three-state output (*see* Tri-state)  
 Threshold voltage, 733, 774  
 Timer, 488  
 Timing analysis, 310, 320, 648  
 Timing Analyzer, 648  
 Timing constraints, 649  
 Timing diagram, 29, 339  
 Timing simulation, 67  
 Transfer characteristic, 777  
 Transistor:  
   EEPROM, 799  
   EPROM, 801  
   MOSFET, 734  
   size, 773  
 Transition diagram, 595  
 Transition table (*see* Excitation table)  
 Transmission gate, 786  
 Transmission line effects, 678  
 Triode region, 774  
**tri** (Verilog), 427  
 Tri-state:  
   driver, 792  
   Verilog code, 427

Truth table, 26  
 2's-complement representation, 133

## U

Union, 39  
 Unsigned numbers, 122  
 Unstable state, 561  
 Up-counter (*see* Counter)  
 Up/down-counter (*see* Counter)  
 User-programmable device (*see* PLD)  
 Universal shift register, 323  
 Valuation, 26  
 Variable, 23  
   in Verilog, 75, 159, 689  
 Vector (Verilog), 155, 688  
 Venn diagram, 37  
 Verilog HDL, 685–729  
   **assign** keyword, 70  
   asynchronous clear, 294, 718  
   **always** block, 74, 698  
   arithmetic assignment, 159  
   arithmetic operators, 226  
   blocking assignment, 288, 700  
   **begin-end** block, 156, 699  
   bit-select, 689  
   bitwise operators, 223  
   **case** statement, 215, 702  
   **casex** statement, 220, 703  
   **casez** statement, 220, 703  
   comment, 72, 686  
   concatenation, 167, 227  
   concurrent statement, 696  
   conditional operator, 210  
   constant, 166  
   continuous assignment, 70, 696  
   **default** case alternative, 215  
   **defparam**, 163  
   delay, 694, 698  
   don't care, 220  
   **end**, 699  
   equality operators, 226  
   escaped identifier, 687  
   **for** loop, 156, 221, 704  
   **function**, 231, 713  
   gate level primitives, 694  
   **generate**, 157, 228, 712  
   **genvar**, 157, 228, 712  
   hierarchical code, 163  
   identifier, 687  
   **if-else** statement, 212, 700  
   implied memory, 286, 702  
   **initial** block, 699  
   **integer** type, 159, 689  
   instantiation of gates, 71, 110, 694  
   instantiation of modules, 76, 78, 164, 165, 709

- logic gates, 695
- logical operators, 225
- memories, 690
- module**, 70, 692
- multibit assignment, 160
- named port connection, 165, 709
- names, 687
- negedge**, 287, 717
- net, 158, 686, 688
- non-blocking assignment, 289, 700
- number representation, 166, 687
- operators, 223, 690
- ordered port connection, 165, 709
- parameter**, 156, 688
- parameter override, 163, 710
- part-select, 689
- posedge**, 287, 717
- precedence, 228
- procedural statements, 74, 698
- port, 70, 692
- radix, 687
- range, 686, 689
- reduction operators, 225
- reg**, 156, 689
- relational operators, 226
- repeat** loop, 706
- replication, 167, 227
- scalar, 159
- sensitivity list, 74, 699
- # operator, 163
- shift operators, 226
- sign extension, 167, 697
- signal, 686
- signal value, 687
- synchronous clear, 294, 718
- task, 229, 715
- tri** type, 689
- truth tables, 704
- variable, 75, 159, 689
- vector, 155, 689
- while** loop, 706
- white space, 686
- wire** type, 78, 158, 688
- Vertex, 510
- Very large-scale integration (VLSI), 753
- VHDL, 65
- Via, 769
- Volatile programming, 768
- Voltage levels
  - substrate bias, 785
  - high, low, 734, 776
- Voltage transfer characteristic, 777
  
- W**
- while** loop (Verilog), 706
- wire** (Verilog), 78, 158, 688
  
- X**
- XNOR (Exclusive-NOR) gate (*see* Gates)
- XOR (Exclusive-OR) gate (*see* Gates)